



US00D922253S

(12) **United States Design Patent**
Tan

(10) **Patent No.:** **US D922,253 S**

(45) **Date of Patent:** **** Jun. 15, 2021**

(54) **BICYCLE FRAME**
(71) Applicant: **Lye Wee Tan**, Singapore (SG)
(72) Inventor: **Lye Wee Tan**, Singapore (SG)
(**) Term: **15 Years**
(21) Appl. No.: **29/705,172**
(22) Filed: **Sep. 10, 2019**

(51) **LOC (13) Cl.** **12-11**
(52) **U.S. Cl.**
USPC **D12/111**
(58) **Field of Classification Search**
USPC D12/111, 117; D21/412, 414, 419,
D21/423-428, 431-435
CPC B62K 3/00; B62K 3/02; B62K 3/06
See application file for complete search history.

(56) **References Cited**

U.S. PATENT DOCUMENTS

D30,820 S * 5/1899 Schaum D12/111
979,674 A * 12/1910 Kittle B62K 25/16
280/277
D213,606 S * 3/1969 Gordon D12/111
D213,753 S * 4/1969 Schreckengost D12/111
D216,415 S * 12/1969 Proffer D12/110
D217,843 S * 6/1970 Barris B62K 15/006
D12/111
D223,528 S * 4/1972 Steller D12/111
D230,144 S * 1/1974 Voytko D12/111
D244,266 S * 5/1977 Cognata D12/111
4,422,663 A * 12/1983 Hon B62K 15/006
280/278
D492,917 S * 7/2004 Pedersen D12/110
6,793,031 B1 * 9/2004 Greene B62K 19/30
180/225
D498,179 S * 11/2004 James D12/110
D512,345 S * 12/2005 Beich D12/110
D517,451 S * 3/2006 Alsop D12/110
D586,702 S * 2/2009 Morris D12/111

7,546,894 B1 * 6/2009 Glenn B62K 19/32
180/227
D601,926 S * 10/2009 Kingsbury D12/110
D633,828 S * 3/2011 Portnoff B62K 19/32
D12/111
D653,590 S * 2/2012 Patterson D12/110
D824,290 S * 7/2018 Sukkar D12/110
D858,358 S * 9/2019 Hutto D12/110
D885,985 S * 6/2020 Tan D12/111
D901,336 S * 11/2020 Kuehne D12/111

(Continued)

OTHER PUBLICATIONS

Bach lcd. "Buzzraw X Series Electric Bikes by Coast Cycles." iCreated., Jan. 29, 2019 [online], [retrieved on Feb. 18, 2021]. Retrieved from the Internet <URL: <https://icreated.com/2019/01/buzzraw-x-series-electric-bikes.html/>>.*

(Continued)

Primary Examiner — Darlington Ly

(74) *Attorney, Agent, or Firm* — Muncy, Geissler, Olds & Lowe, P.C.

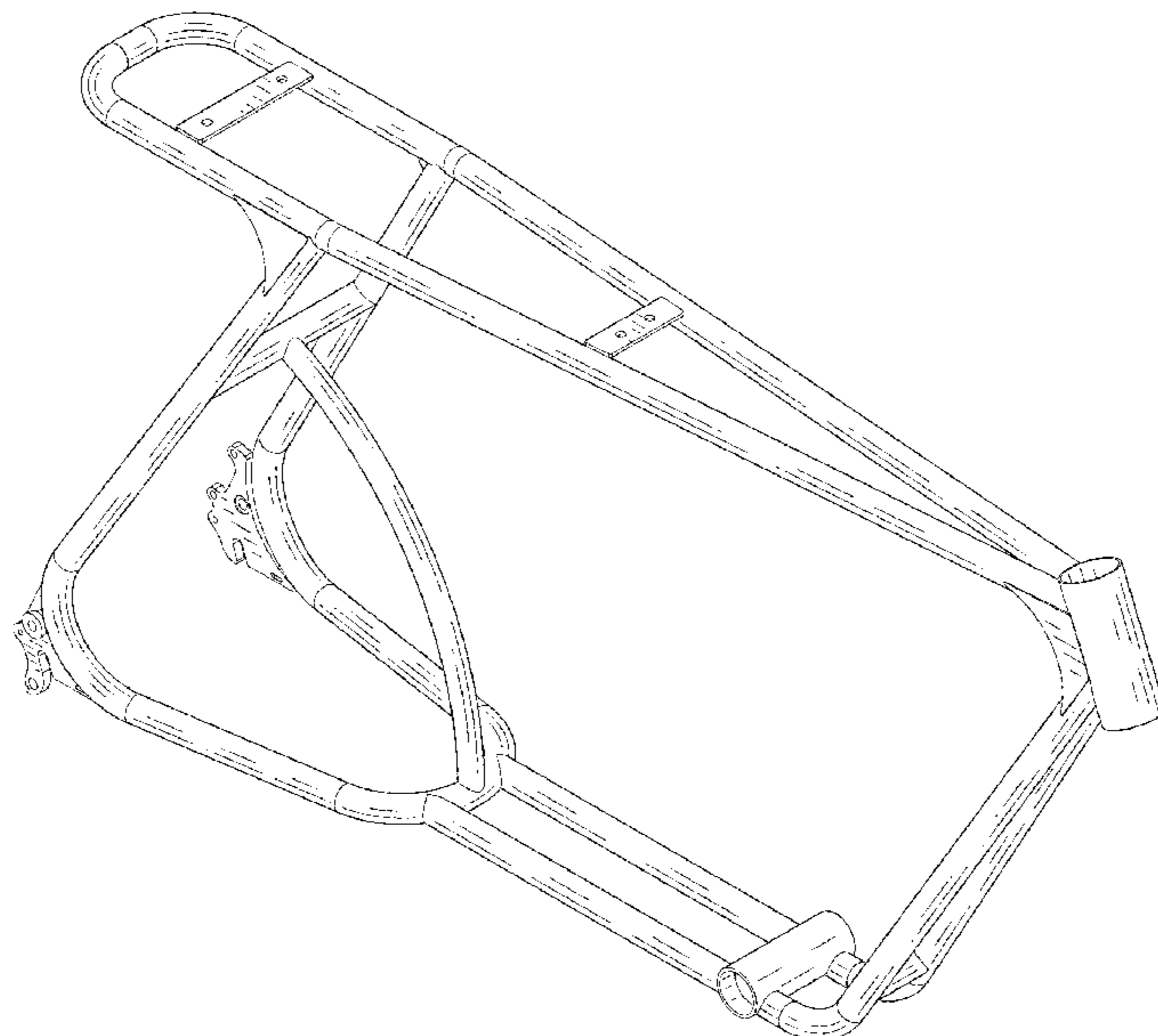
(57) **CLAIM**

I claim the ornamental design for a bicycle frame, as shown and described.

DESCRIPTION

FIG. 1 is a top, front, and right side perspective view of a bicycle frame embodying my new design;
FIG. 2 is a right side elevation view thereof;
FIG. 3 is a left side elevation view thereof;
FIG. 4 is a rear elevation view thereof;
FIG. 5 is a front elevation view thereof;
FIG. 6 is a top plan view thereof;
FIG. 7 is a bottom plan view thereof; and,
FIG. 8 is a top, front, and right side perspective view thereof.

1 Claim, 6 Drawing Sheets



(56)

References Cited

U.S. PATENT DOCUMENTS

D910,496 S * 2/2021 Zhu D12/111
2008/0073139 A1* 3/2008 Conrad B62K 25/283
180/227

OTHER PUBLICATIONS

Micah Toll. "Buzzraw X full suspension electric minibikes unveiled by Coast Cycles." Electrek., Nov. 16, 2019 [online], [retrieved on Feb. 18, 2021]. Retrieved from the Internet <URL: <https://electrek.co/2018/11/16/buzzraw-x-suspension-electric-bicycle/>>.*

Micah Toll. "Super73 unveils new 2,000W and 75-mile range full suspension e-bikes." Electrek., Jan. 25, 2020 [online], [retrieved on Feb. 18, 2021]. Retrieved from the Internet <URL: <https://electrek.co/2020/01/25/super73-r-series-new-2000w-electric-bicycles/>>.*

* cited by examiner

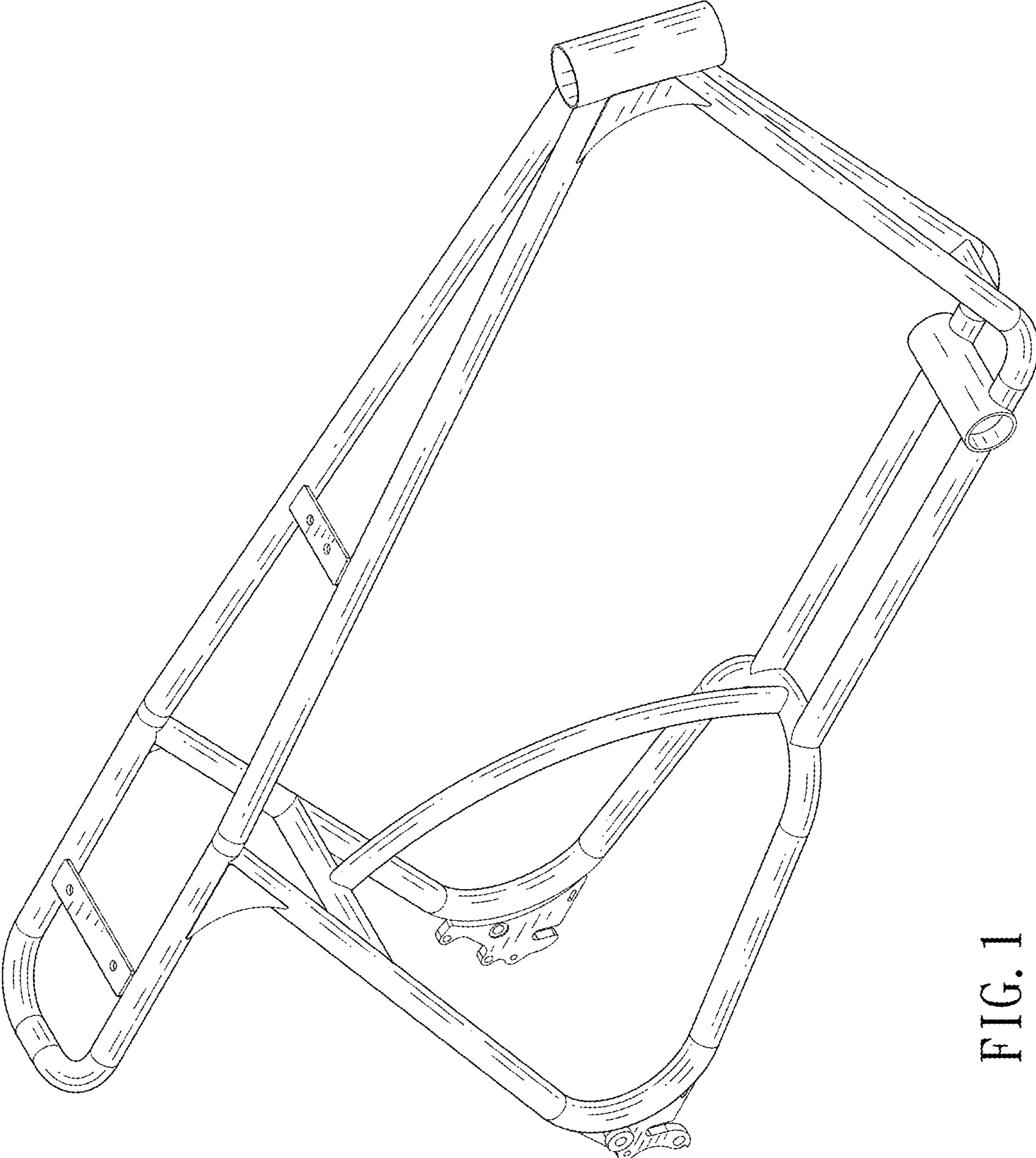


FIG. 1

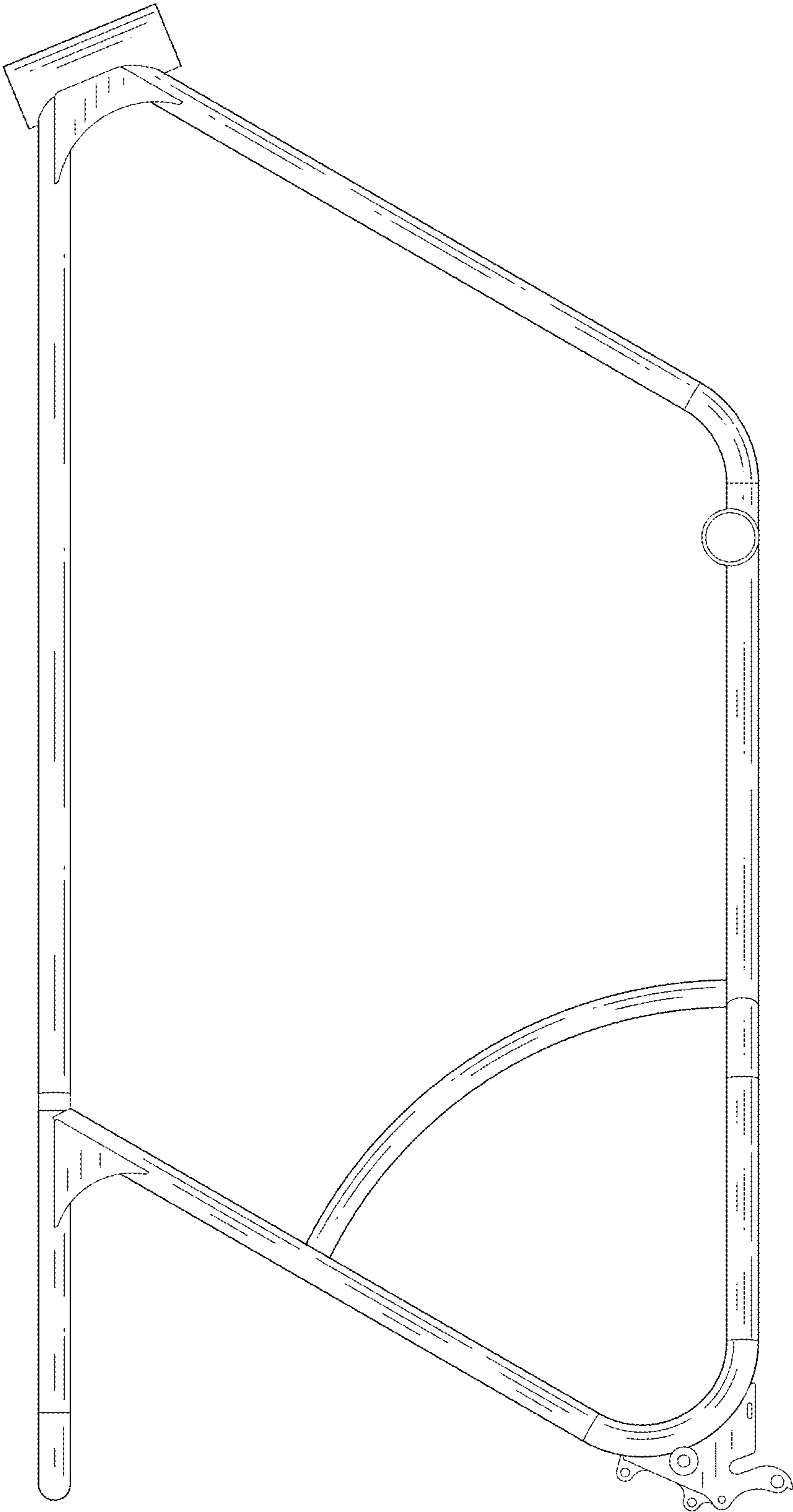


FIG. 2

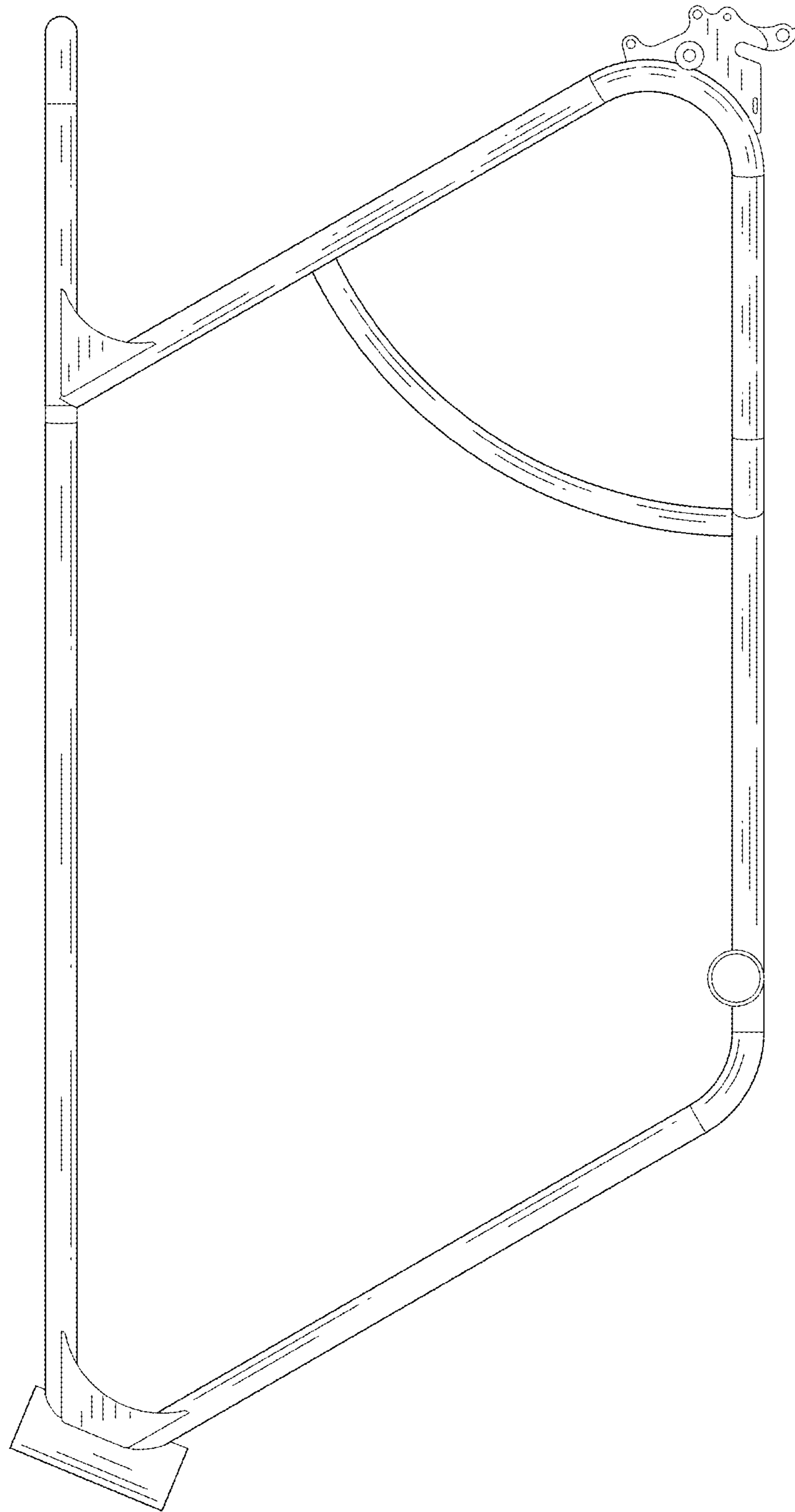


FIG. 3

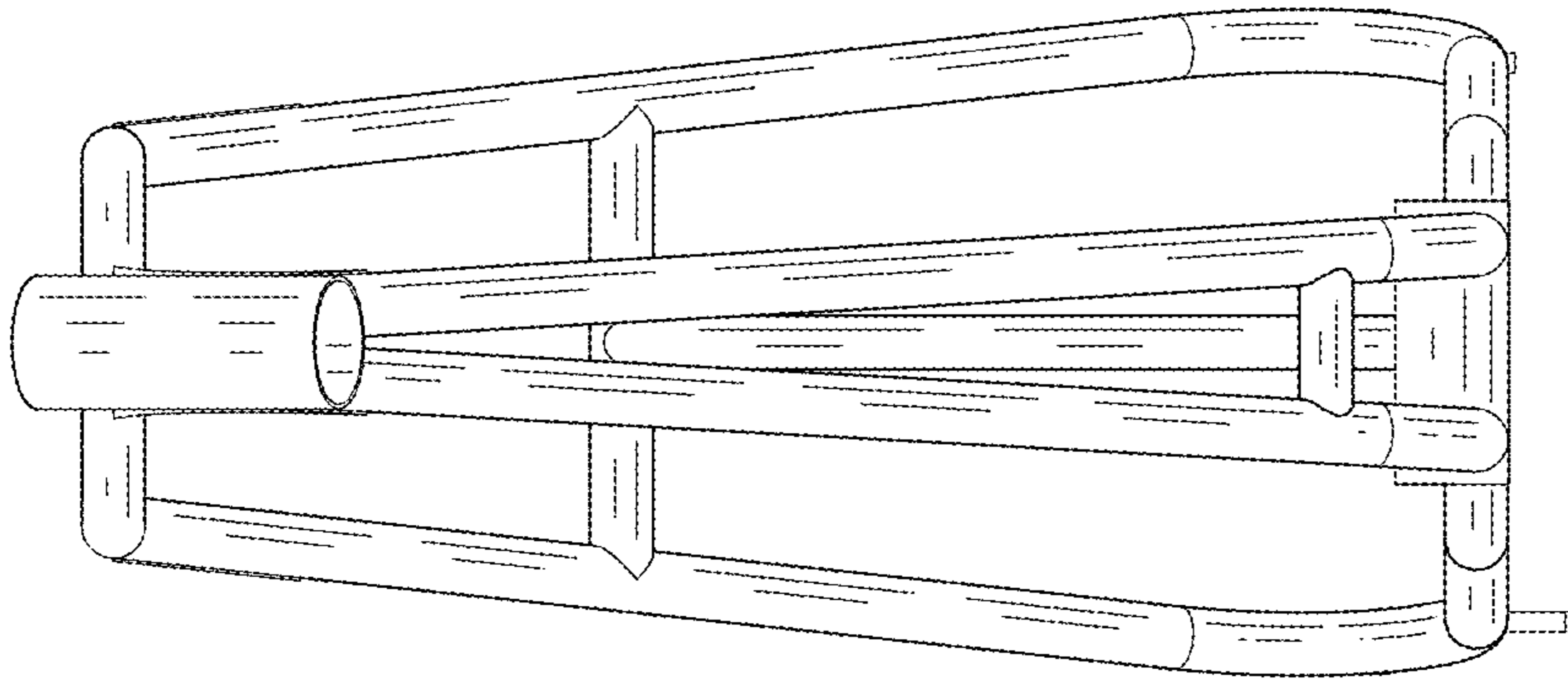


FIG. 5

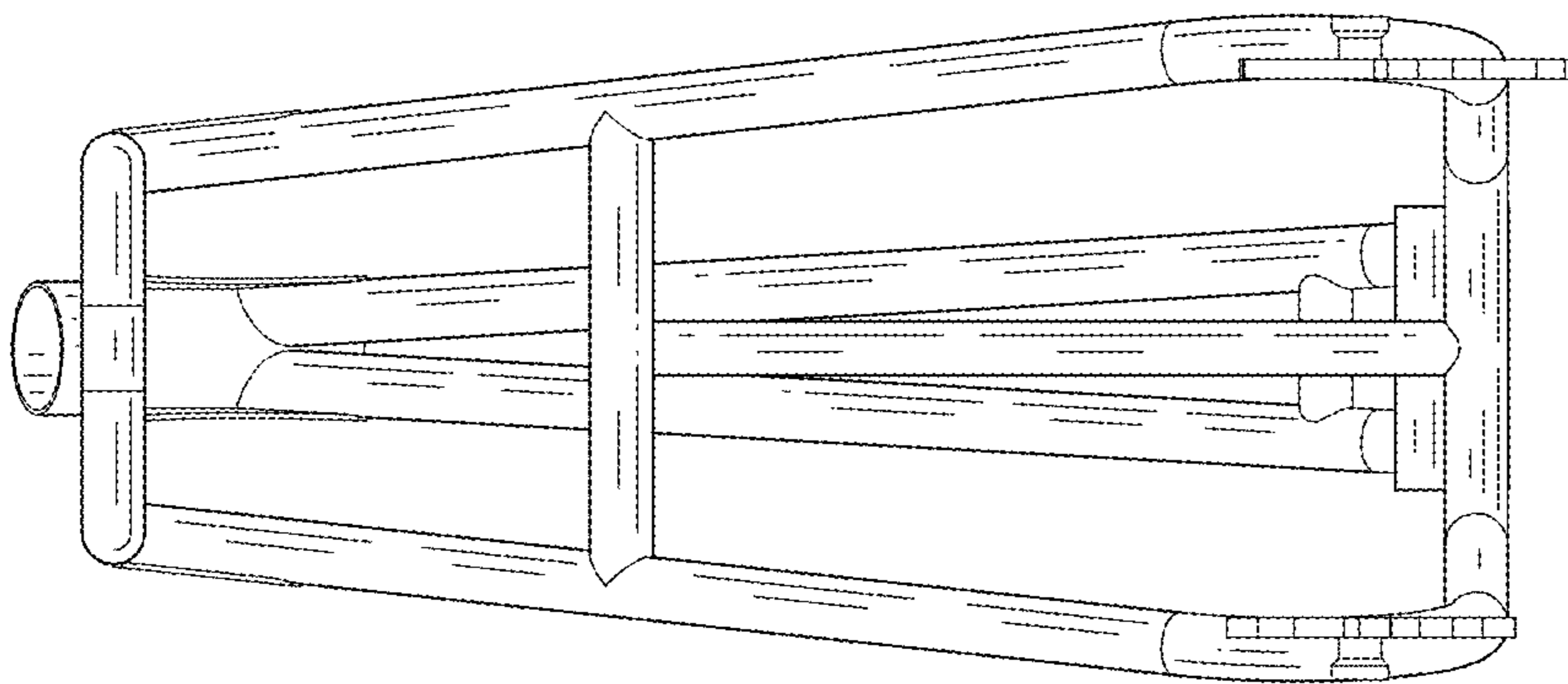


FIG. 4

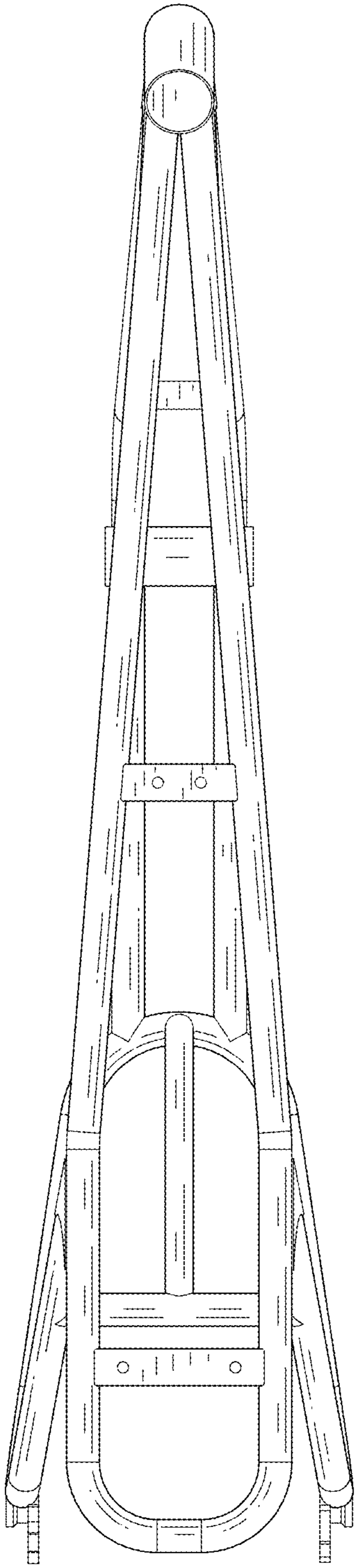


FIG. 6

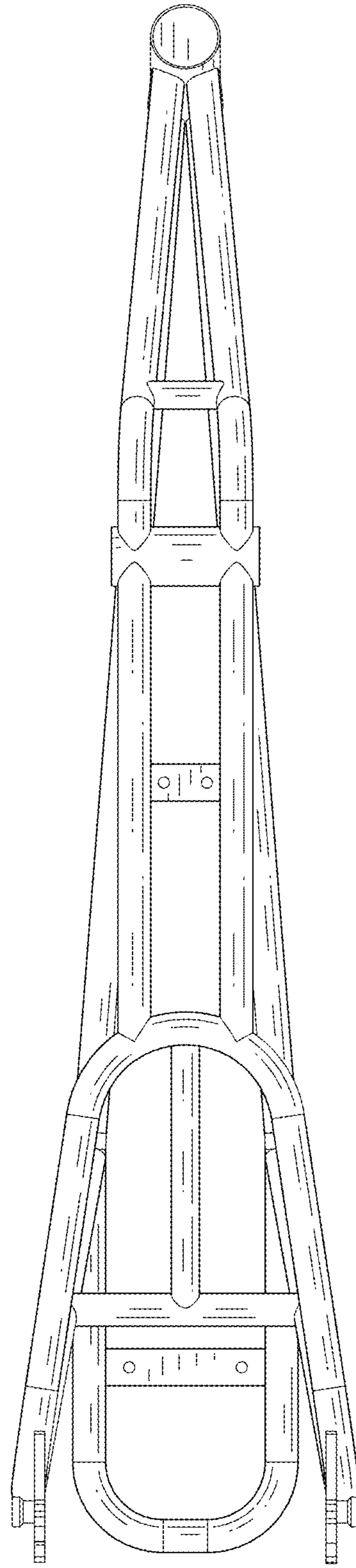


FIG. 7

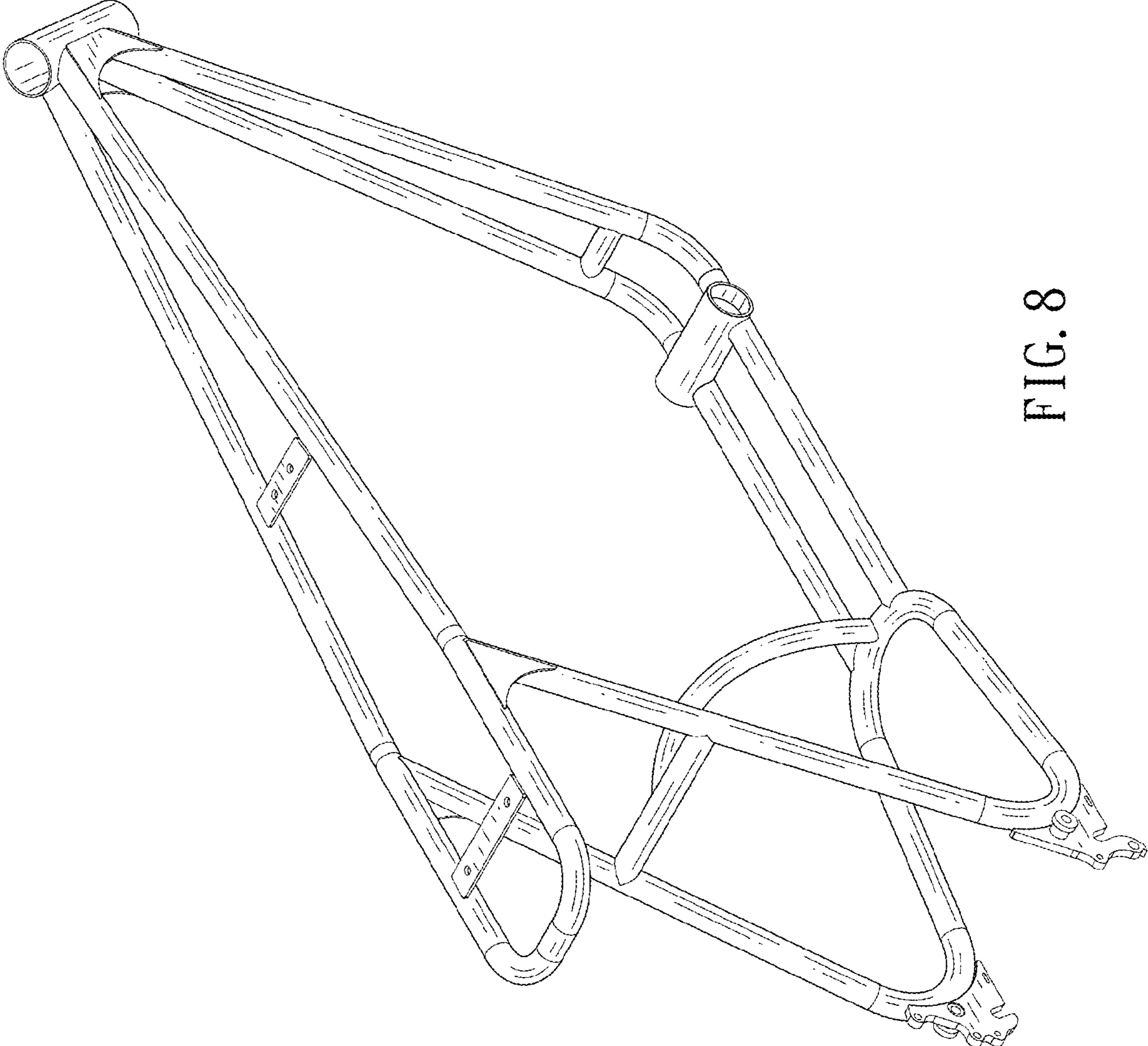


FIG. 8