



US00D922252S

(12) **United States Design Patent**
Lin

(10) **Patent No.:** **US D922,252 S**
(45) **Date of Patent:** **** Jun. 15, 2021**

- (54) **BELT BUCKLE**
- (71) Applicant: **Guangzhou Youran Network Technology Co., Ltd.**, Guangdong (CN)
- (72) Inventor: **Xian Lin**, Zhejiang (CN)
- (73) Assignee: **Guangzhou Youran Network Technology Co., Ltd.**, Guangdong (CN)
- (**) Term: **15 Years**
- (21) Appl. No.: **29/763,472**
- (22) Filed: **Dec. 22, 2020**
- (51) **LOC (13) Cl.** **02-07**
- (52) **U.S. Cl.**
USPC **D11/216**
- (58) **Field of Classification Search**
USPC D11/200–203, 215, 216, 218, 203–237;
D2/627–639, 929–934, 946, 976, 640;
D8/349, 356, 383, 382; D30/136,
D30/138–140, 152, 153
CPC A44B 11/00; A44B 11/001; A44B 11/006;
A44B 11/008; A44B 11/02; A44B 11/04;
A44B 11/06; A44B 11/065; A44B
11/2553; A44B 11/2507; A44B 11/2511;
A44B 11/2573; B60R 22/105; B60N
2/2812; B60N 2/2803; B60N 2/26; B60N
2002/2815
See application file for complete search history.

5,187,839	A *	2/1993	Collins	A44B 11/12 24/170
D453,125	S *	1/2002	Citton	D11/216
D585,331	S *	1/2009	Kumazaki	D11/216
D603,753	S *	11/2009	Palmer	D11/216
D729,119	S *	5/2015	Janes	D11/216
D781,744	S *	3/2017	Szewczyk	D11/216
D848,899	S	5/2019	Chang		
D858,347	S	9/2019	Douglas		
2015/0272281	A1 *	10/2015	Xiao	A44B 11/16 297/468
2015/0342306	A1 *	12/2015	Chen	A44B 11/006 24/185

OTHER PUBLICATIONS

623 Nickel Suspender Adjuster, no date available, [online], [site visited Apr. 20, 2021]. Retrieved from url:https://www.nationalwebbing.com/products/730/623-nickel-suspender-adjuster.html (Year: 2021).*

* cited by examiner

Primary Examiner — Michelle E. Wilson
Assistant Examiner — Tracey J Bell
(74) *Attorney, Agent, or Firm* — ScienBiziP, P.C.

(57) **CLAIM**

The ornamental design for a belt buckle, as shown and described.

DESCRIPTION

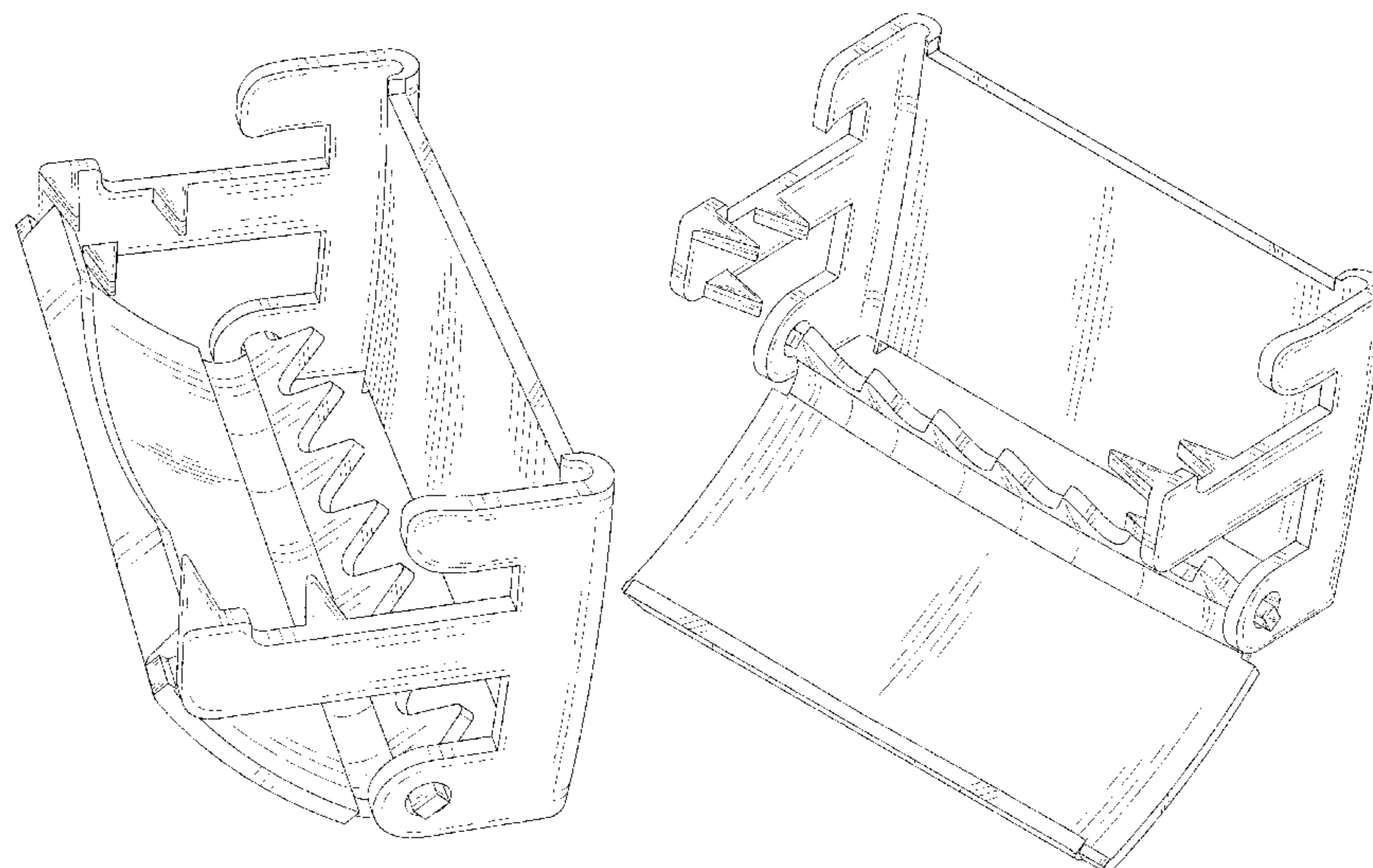
FIG. 1 is a right and top perspective view of a belt buckle, showing my design.
FIG. 2 is a front elevation view thereof.
FIG. 3 is a rear elevation view thereof.
FIG. 4 is a left side elevation thereof.
FIG. 5 is a right side elevation thereof.
FIG. 6 is a top plan view thereof.
FIG. 7 is a bottom plan view thereof; and,
FIG. 8 is a perspective view of the belt buckle similar to FIG. 1 but a lid of the belt buckle is opened.

1 Claim, 8 Drawing Sheets

(56) **References Cited**

U.S. PATENT DOCUMENTS

2,110,684	A *	3/1938	Schuhmann	A44B 11/25 24/313
D188,897	S *	9/1960	Prete	D11/216
3,432,895	A *	3/1969	Yost	A44B 11/006 24/265 R
D300,810	S *	4/1989	Reaume	D11/216



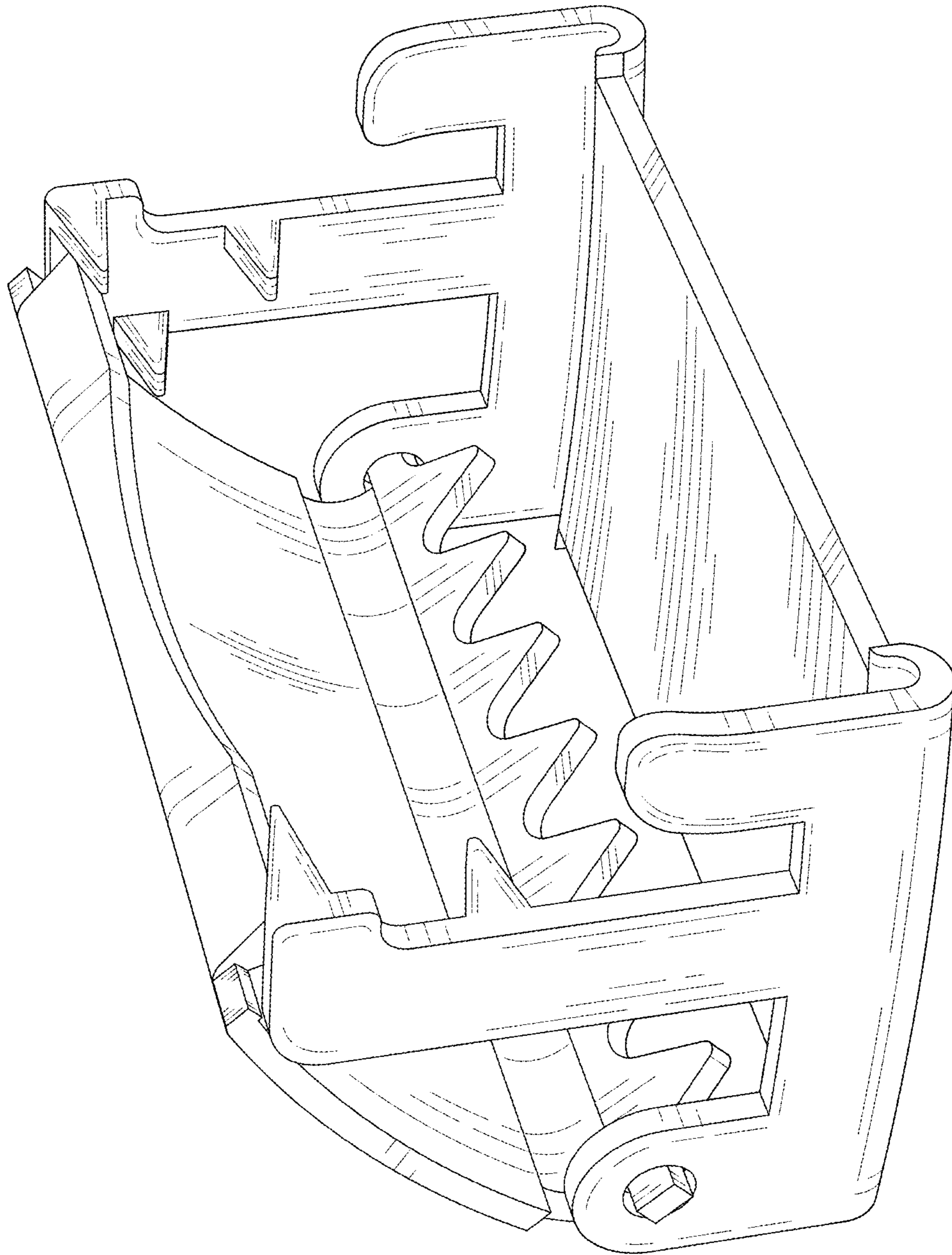


FIG. 1

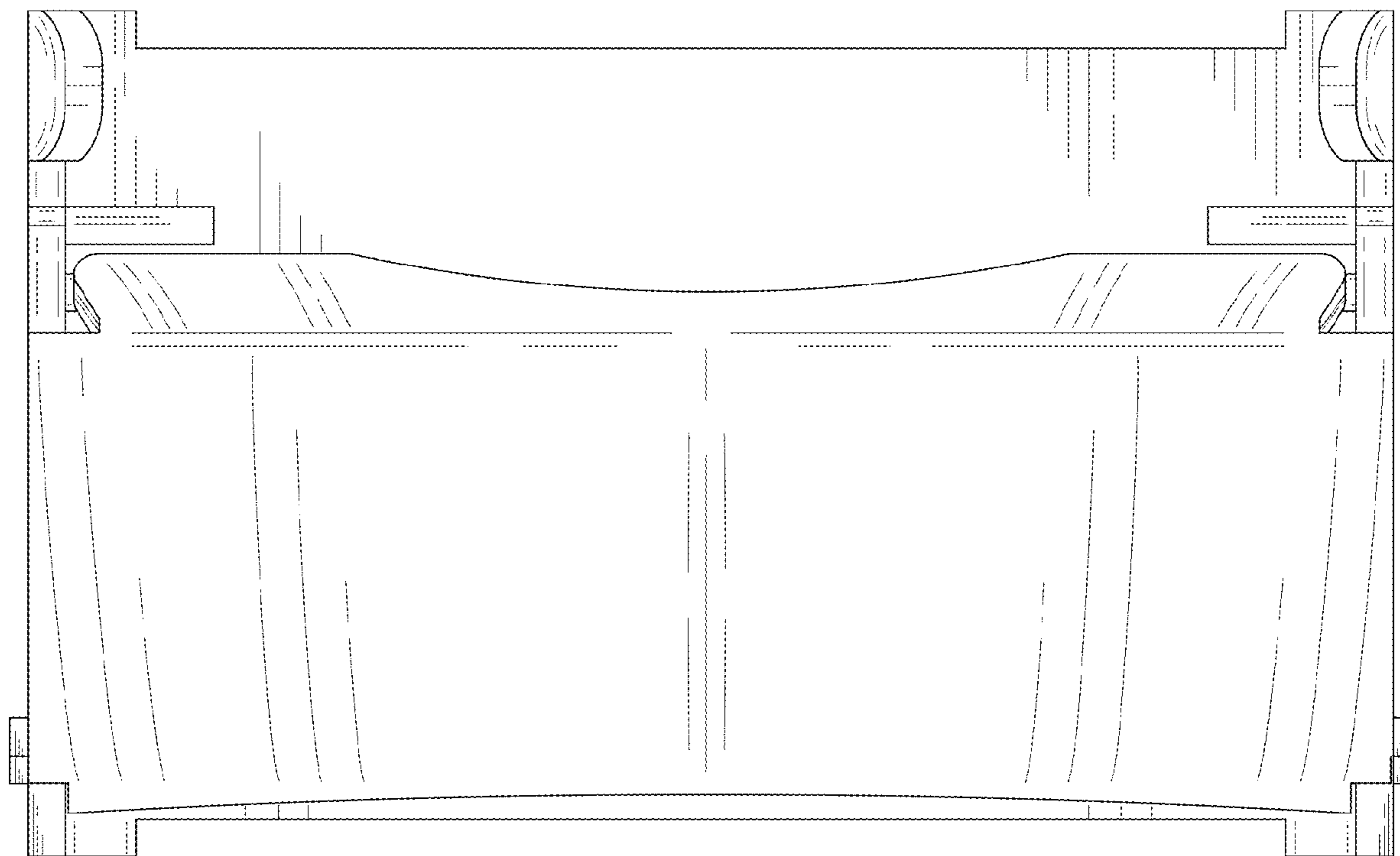


FIG.2

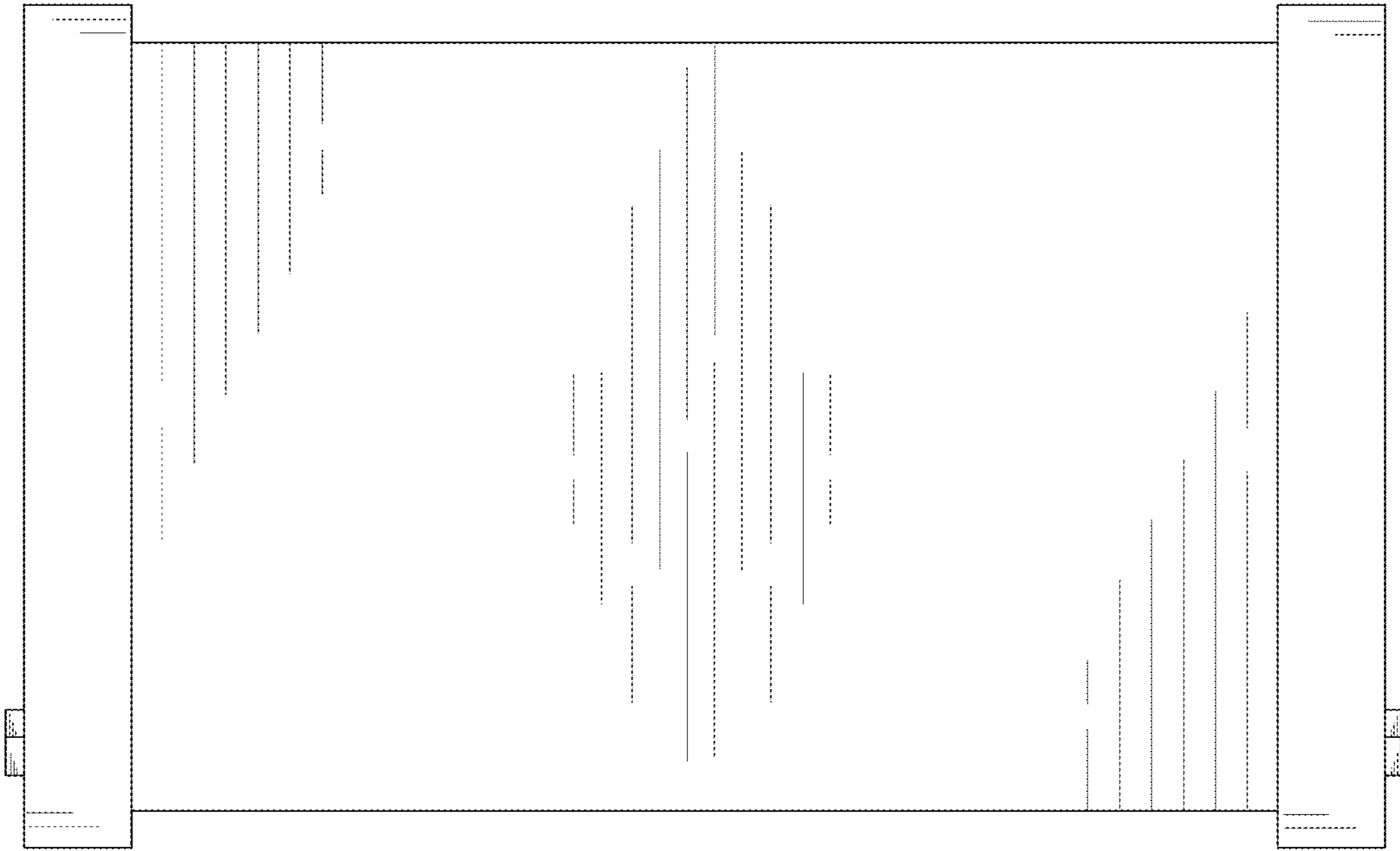


FIG.3

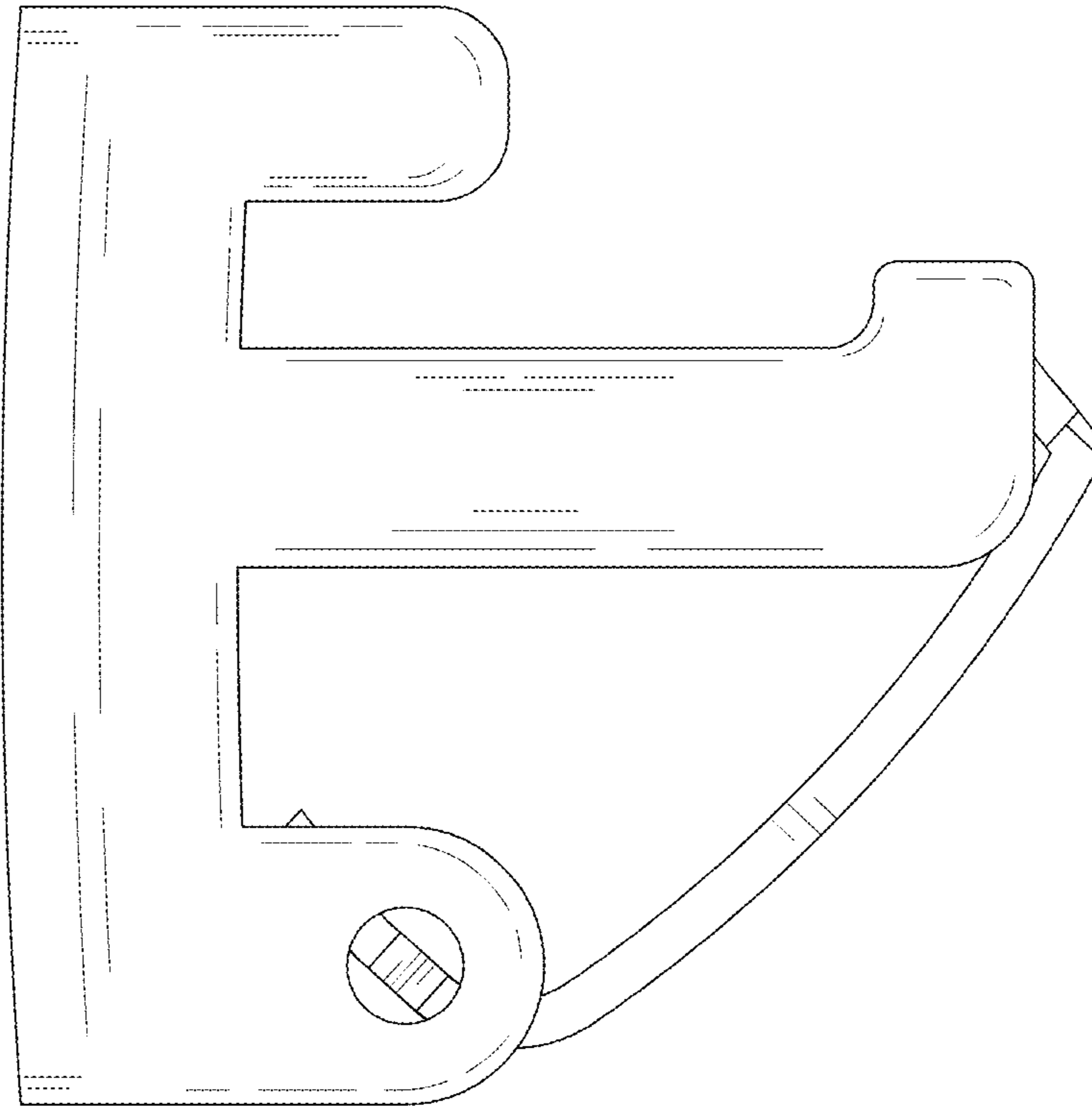


FIG.4

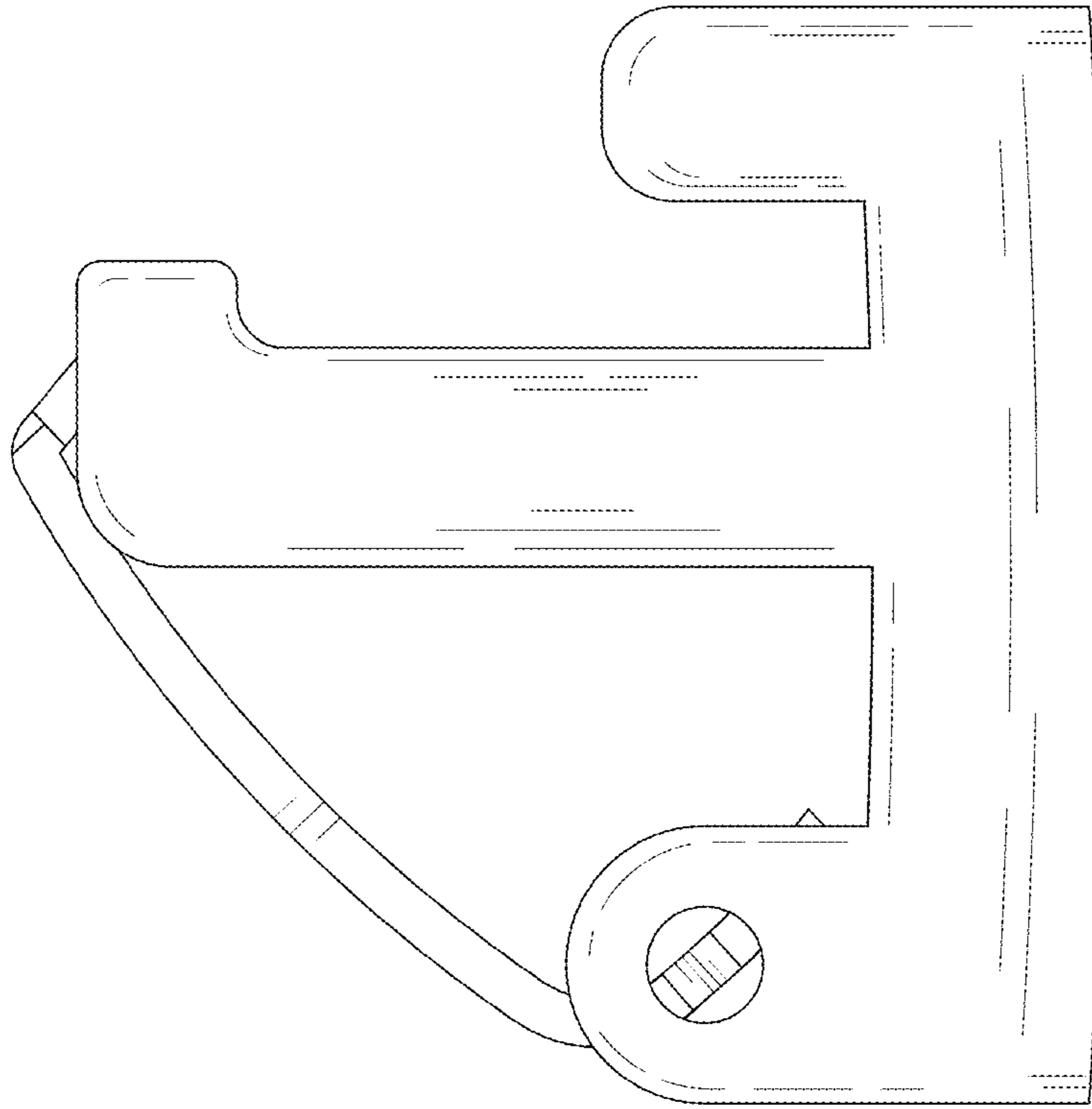


FIG.5

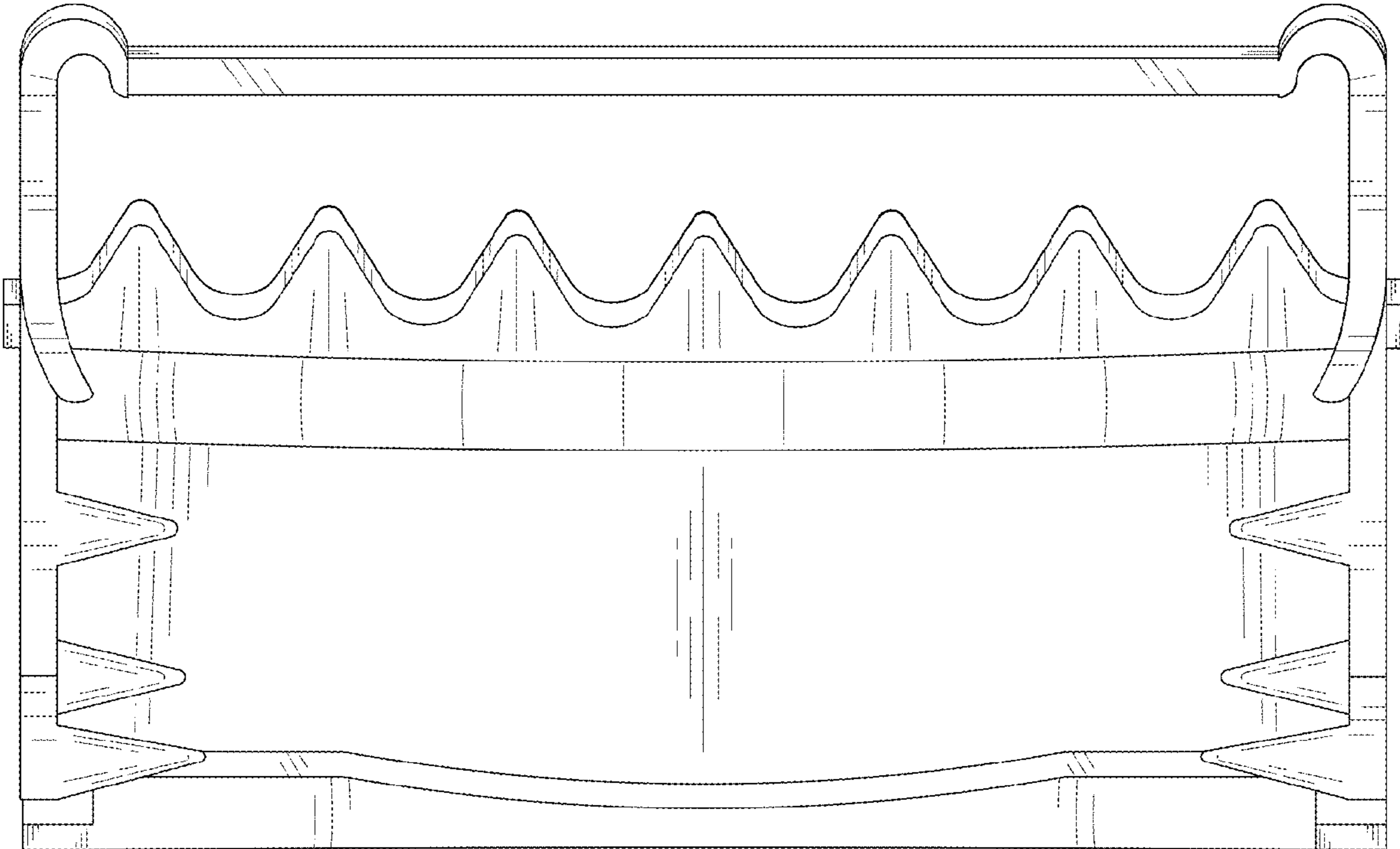


FIG.6

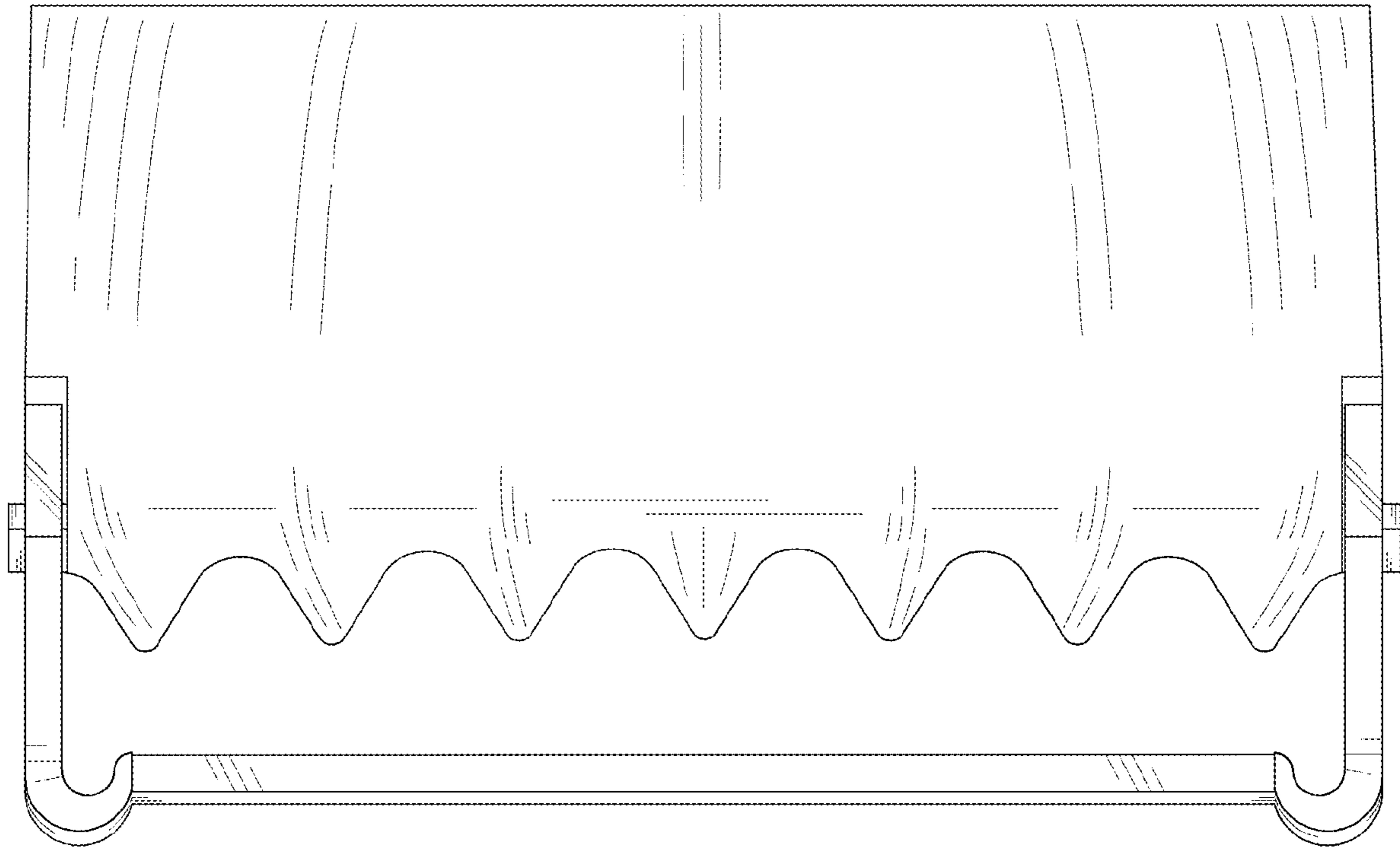


FIG.7

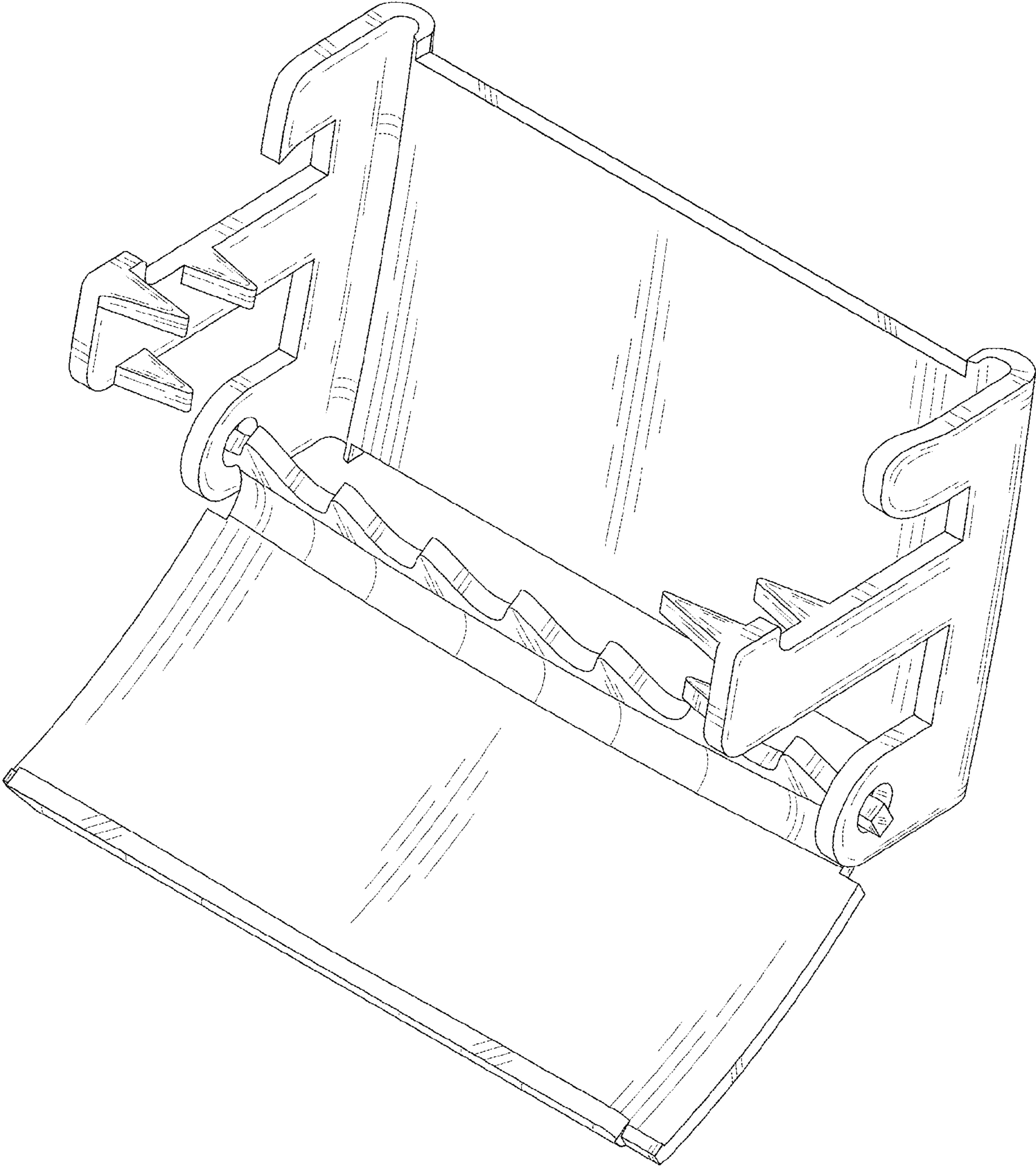


FIG.8