



US00D922250S

(12) **United States Design Patent**
Whitfield

(10) **Patent No.:** **US D922,250 S**
(45) **Date of Patent:** **** Jun. 15, 2021**

(54) **GREEN ROOF MODULE**
(71) Applicant: **Green Roof Outfitters, LLC,**
Charleston, SC (US)
(72) Inventor: **Michael Whitfield,** Charleston, SC
(US)

9,549,508 B2 * 1/2017 Pence A01G 9/023
9,655,304 B2 * 5/2017 Hashimoto A01G 9/02
9,655,308 B2 * 5/2017 MacKenzie A01G 9/025
9,918,436 B2 * 3/2018 Cudmore C05F 17/95
10,076,084 B2 * 9/2018 Tietjen A01G 9/033
10,094,116 B2 * 10/2018 Mawendra E04D 11/002
D835,953 S * 12/2018 Meyer A01G 25/00
D8/1
10,212,894 B2 * 2/2019 Buist A01G 9/033
10,772,264 B2 * 9/2020 Kirkley A01G 9/02

(**) Term: **15 Years**

(21) Appl. No.: **29/680,002**

(22) Filed: **Feb. 12, 2019**

Related U.S. Application Data

(63) Continuation-in-part of application No. 29/569,999,
filed on Jul. 1, 2016, now Pat. No. Des. 841,191.

(51) **LOC (13) Cl.** **11-02**

(52) **U.S. Cl.**
USPC **D11/155**

(58) **Field of Classification Search**
USPC D11/143, 144, 155
CPC E04D 11/002; A01G 9/0295; A01G 9/02;
A01G 9/022; A01G 9/023; A01G 9/033;
Y02B 80/32
See application file for complete search history.

(56) **References Cited**

U.S. PATENT DOCUMENTS

8,341,884 B2 * 1/2013 Rodrigues A01G 9/025
47/86
8,707,618 B2 * 4/2014 MacKenzie E04D 11/002
47/65.9
D727,791 S * 4/2015 Montagano D11/155
D745,430 S * 12/2015 McLennan D11/155

* cited by examiner

Primary Examiner — Doris Clark

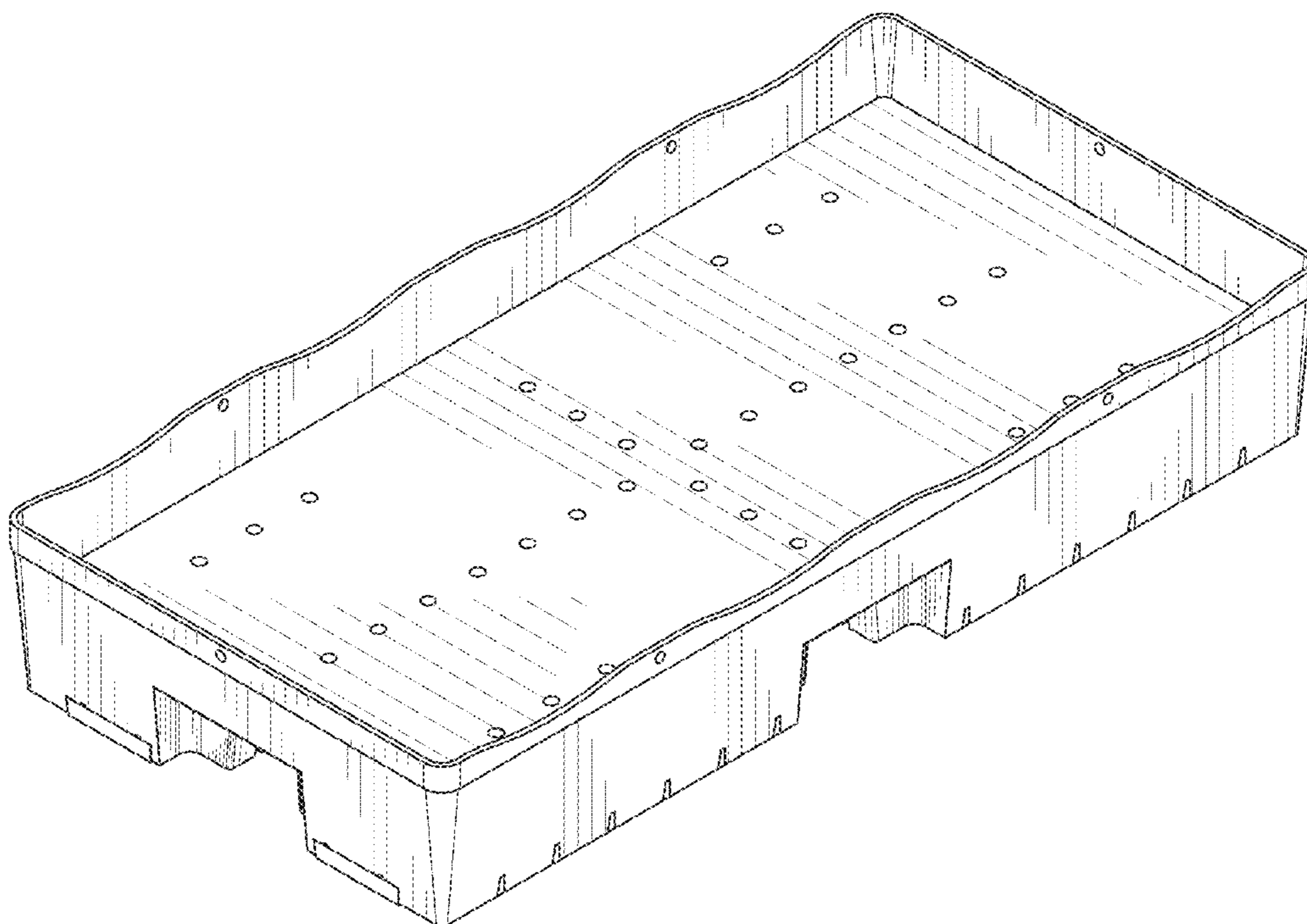
(57) **CLAIM**

I claim the ornamental design for a green roof module, as shown.

DESCRIPTION

FIG. 1 is a top perspective view of the green roof module according to the invention;
FIG. 2 is a bottom perspective view of the green roof module according to the invention;
FIG. 3 is a top elevation view of the green roof module according to the invention;
FIG. 4 is a back elevation view of the green roof module according to the invention;
FIG. 5 is a front elevation view of the green roof module according to the invention;
FIG. 6 is a left side elevation view of the green roof module according to the invention; and,
FIG. 7 is a right side elevation view of the green roof module according to the invention.

1 Claim, 3 Drawing Sheets



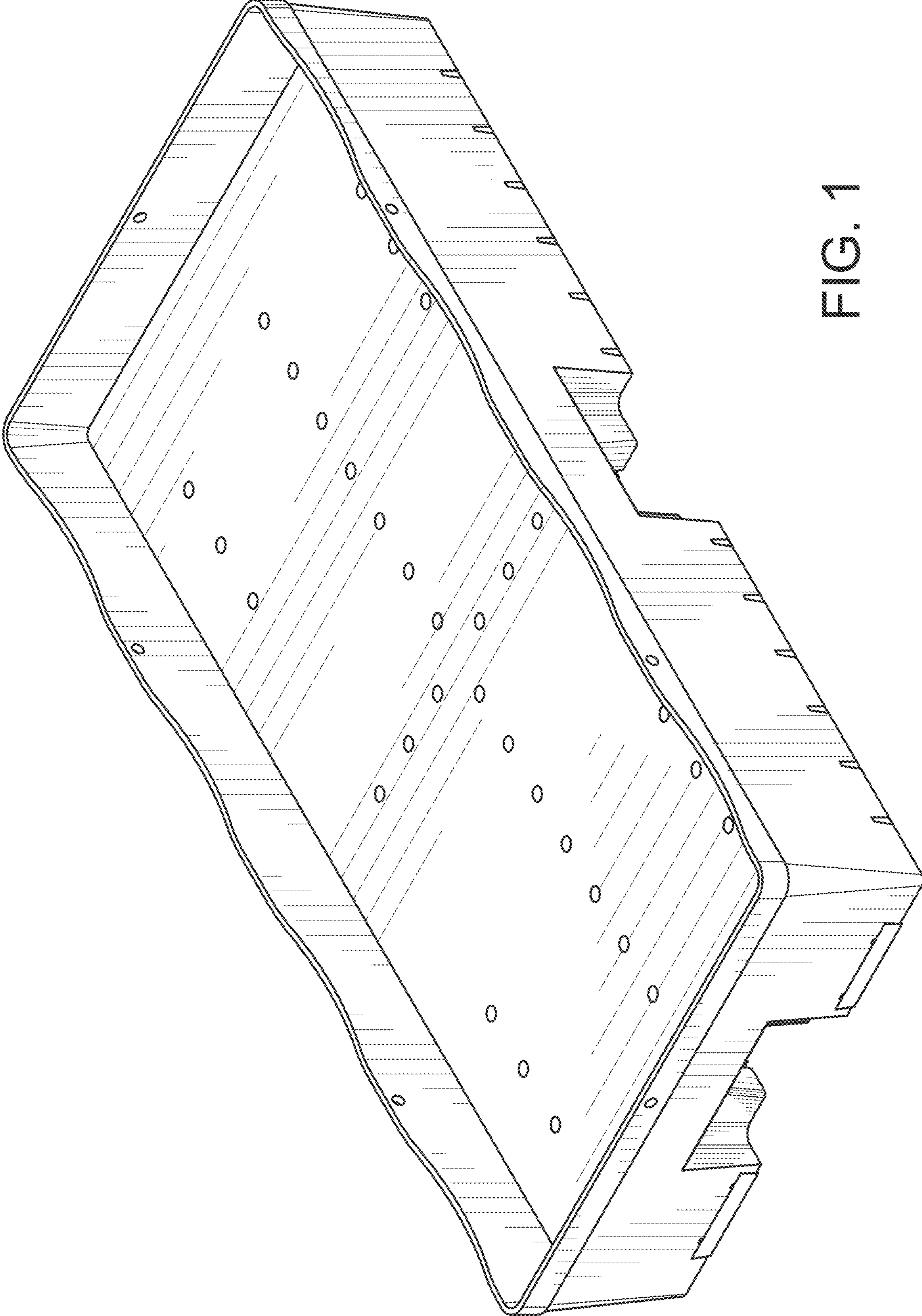


FIG. 1

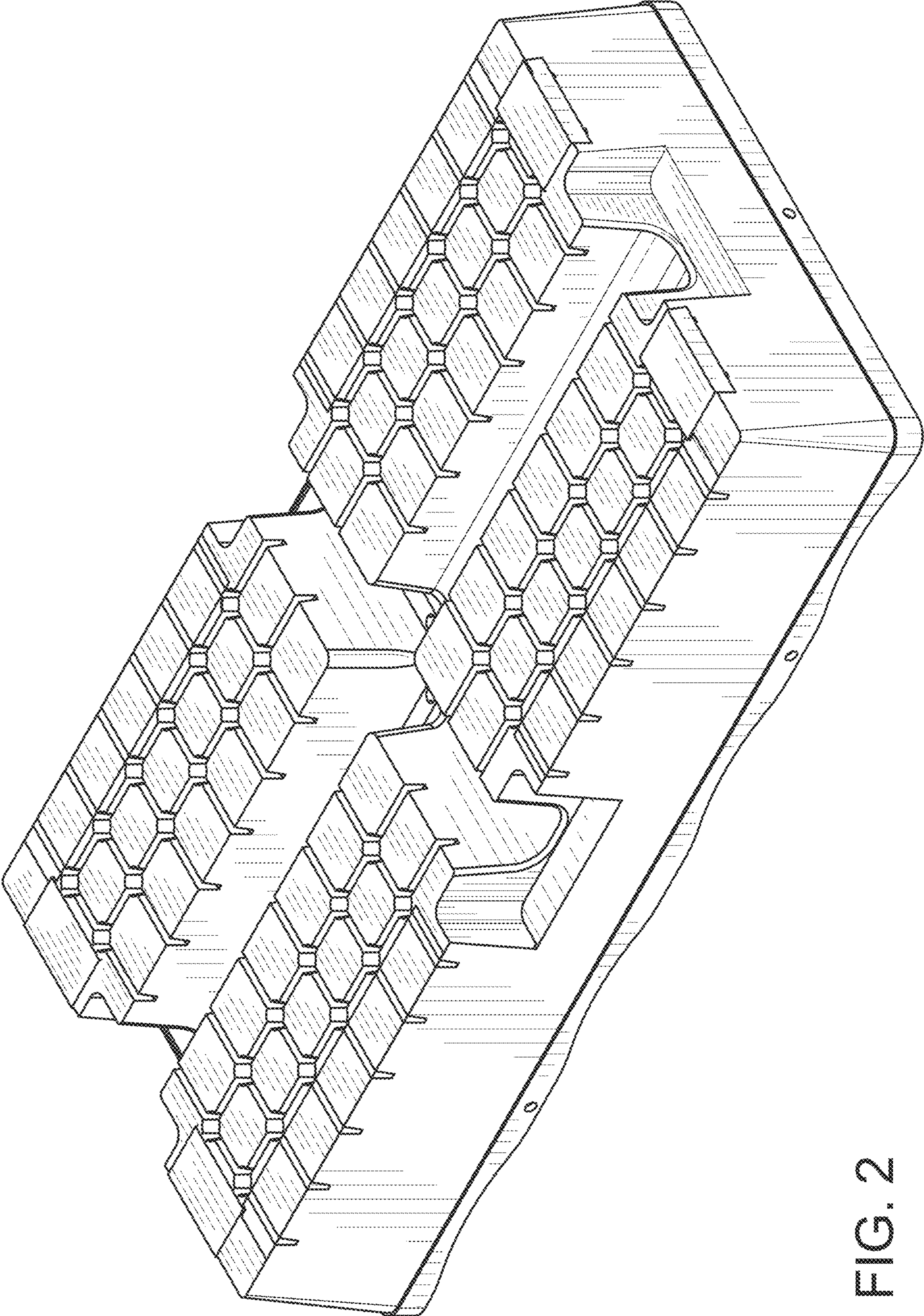


FIG. 2

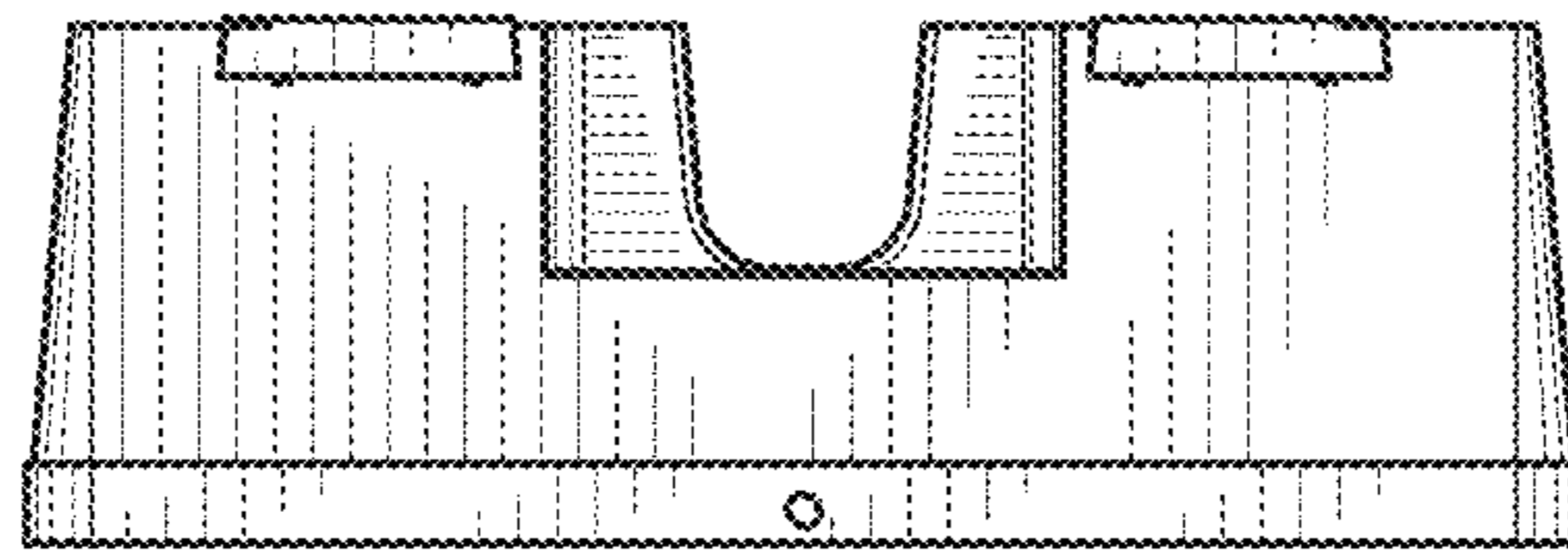


FIG. 4

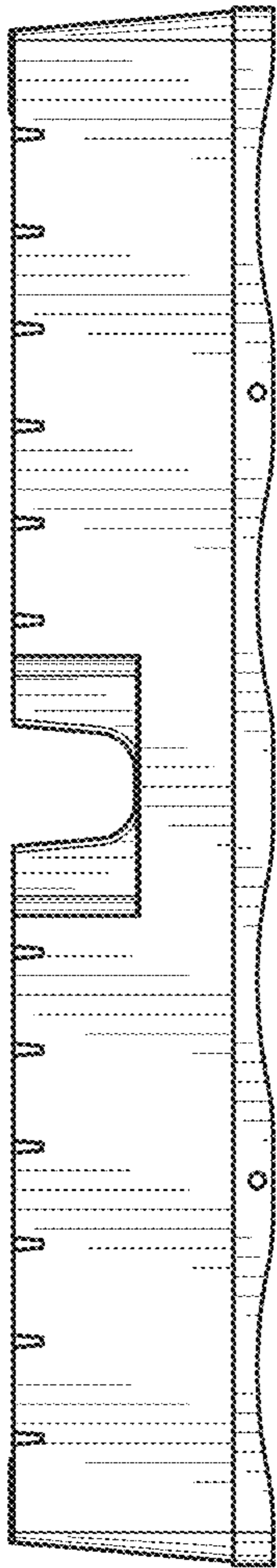


FIG. 6

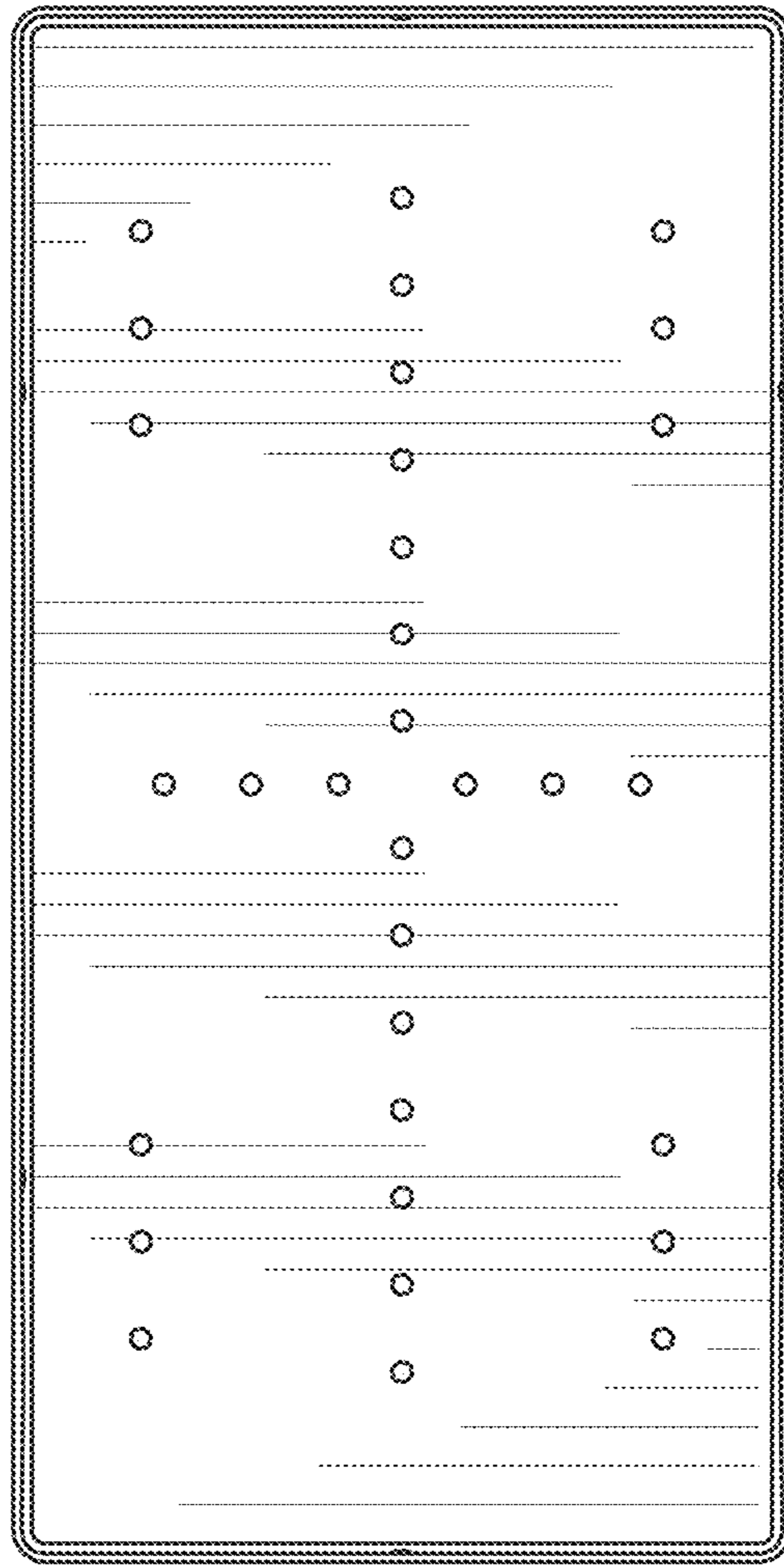


FIG. 3

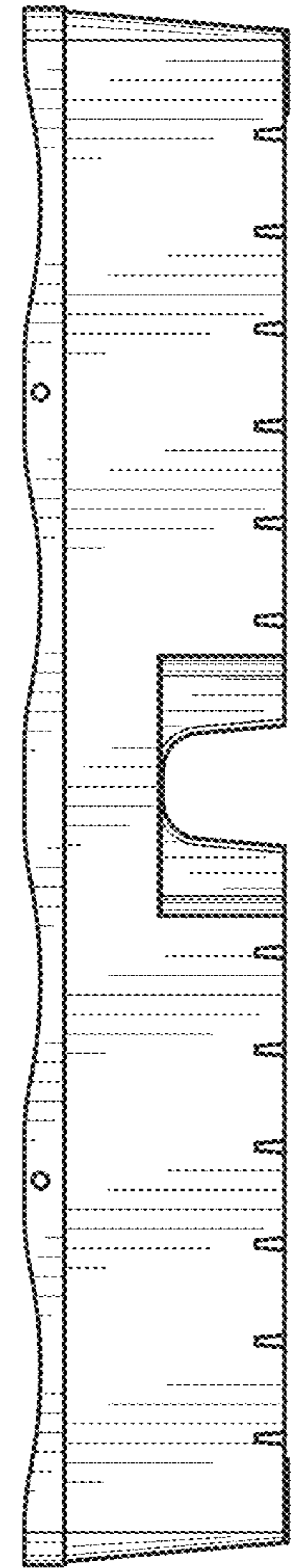


FIG. 7

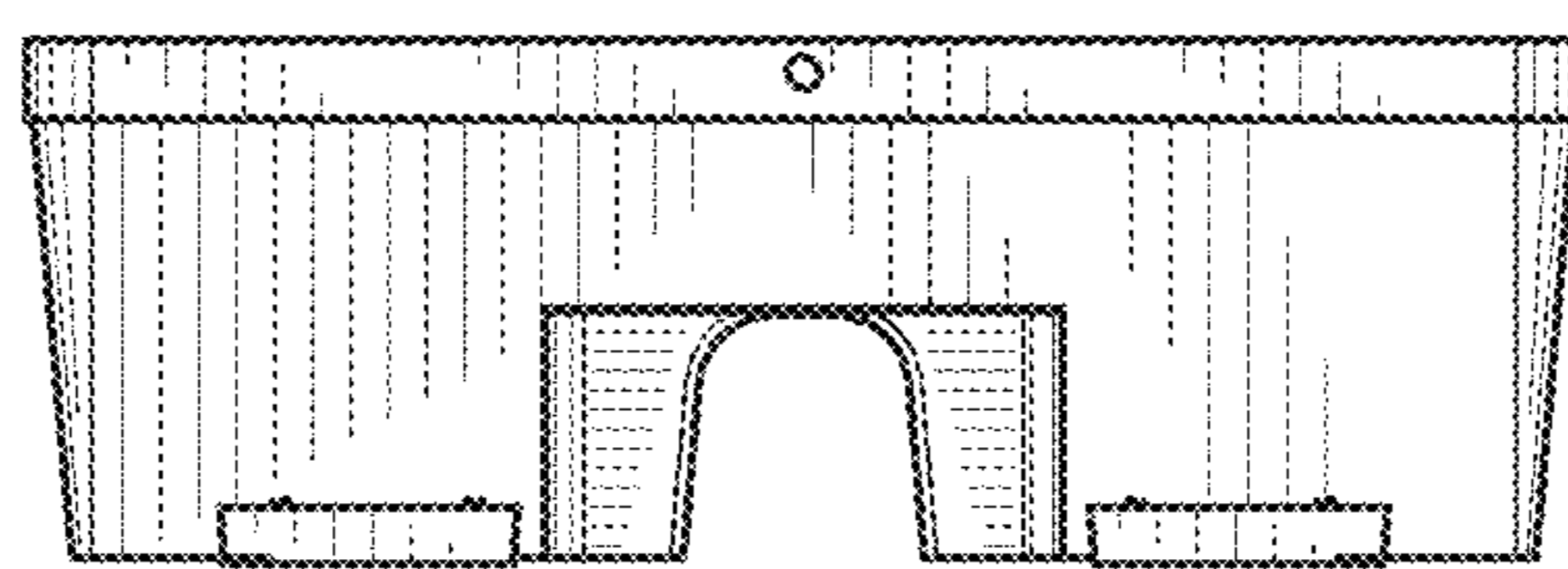


FIG. 5