



US00D922249S

(12) **United States Design Patent**
Rouxel

(10) **Patent No.:** **US D922,249 S**

(45) **Date of Patent:** **** Jun. 15, 2021**

(54) **POD FOR A PRODUCE-GROWING SYSTEM**

(71) Applicant: **Gardyn Inc.**, Bethesda, MD (US)

(72) Inventor: **Francois-Xavier Rouxel**, Bethesda, MD (US)

(73) Assignee: **Gardyn Inc.**, Bethesda, MD (US)

(**) Term: **15 Years**

(21) Appl. No.: **29/696,790**

(22) Filed: **Jul. 1, 2019**

(51) **LOC (13) Cl.** **11-02**

(52) **U.S. Cl.**
USPC **D11/152**

(58) **Field of Classification Search**
USPC D11/143–156, 164; D3/304, 313, 314;
D6/403, 404, 405, 556, 557, 558;
D7/357, 553.2, 553.3, 554.3, 554.4;
D9/433, 454, 455
CPC . A01G 5/04; A01G 9/02; A01G 9/021; A01G
9/022; A01G 9/027; A01G 9/028; A01G
9/029; A01G 9/0293; A01G 9/0295;
A01G 9/0297; A01G 9/0299; A01G 9/04;
A01G 9/042; A01G 9/045; A47G 7/00;
A47G 7/02; A47G 7/04; A47G 7/06;
A47G 7/08

See application file for complete search history.

(56) **References Cited**

U.S. PATENT DOCUMENTS

- 262,335 A * 8/1882 Wagner A01G 9/022
47/83
- D26,849 S * 3/1897 Bell D32/53
- 1,204,367 A * 11/1916 Lord B65D 5/2047
229/104
- D138,786 S * 9/1944 Thienhaus D11/149
- 2,830,405 A * 4/1958 Nydegger B65D 75/522
47/84
- D187,807 S * 5/1960 Manfredi D11/155

- D241,454 S * 9/1976 Craft, III D11/155
- D282,534 S * 2/1986 Morgan D11/117
- 4,622,777 A * 11/1986 Greene, Jr. A01G 9/022
47/67
- D362,780 S * 10/1995 Hampshire D6/525
- D428,829 S * 8/2000 Grosfillex D11/152
- D439,545 S * 3/2001 Grosfillex D11/152
- 6,230,437 B1 * 5/2001 Wolverton A47G 7/041
47/39
- 6,477,805 B2 * 11/2002 Ware A01G 31/02
47/83
- 6,615,542 B2 * 9/2003 Ware A01G 31/02
47/83
- 6,625,929 B1 * 9/2003 Lawson A01G 9/028
47/66.1
- D512,255 S * 12/2005 Snell D6/567
- 7,055,282 B2 * 6/2006 Bryan, III A01G 9/023
47/62 R

(Continued)

Primary Examiner — Elizabeth A. Albert

(74) *Attorney, Agent, or Firm* — Knobbe, Martens, Olson & Bear, LLP

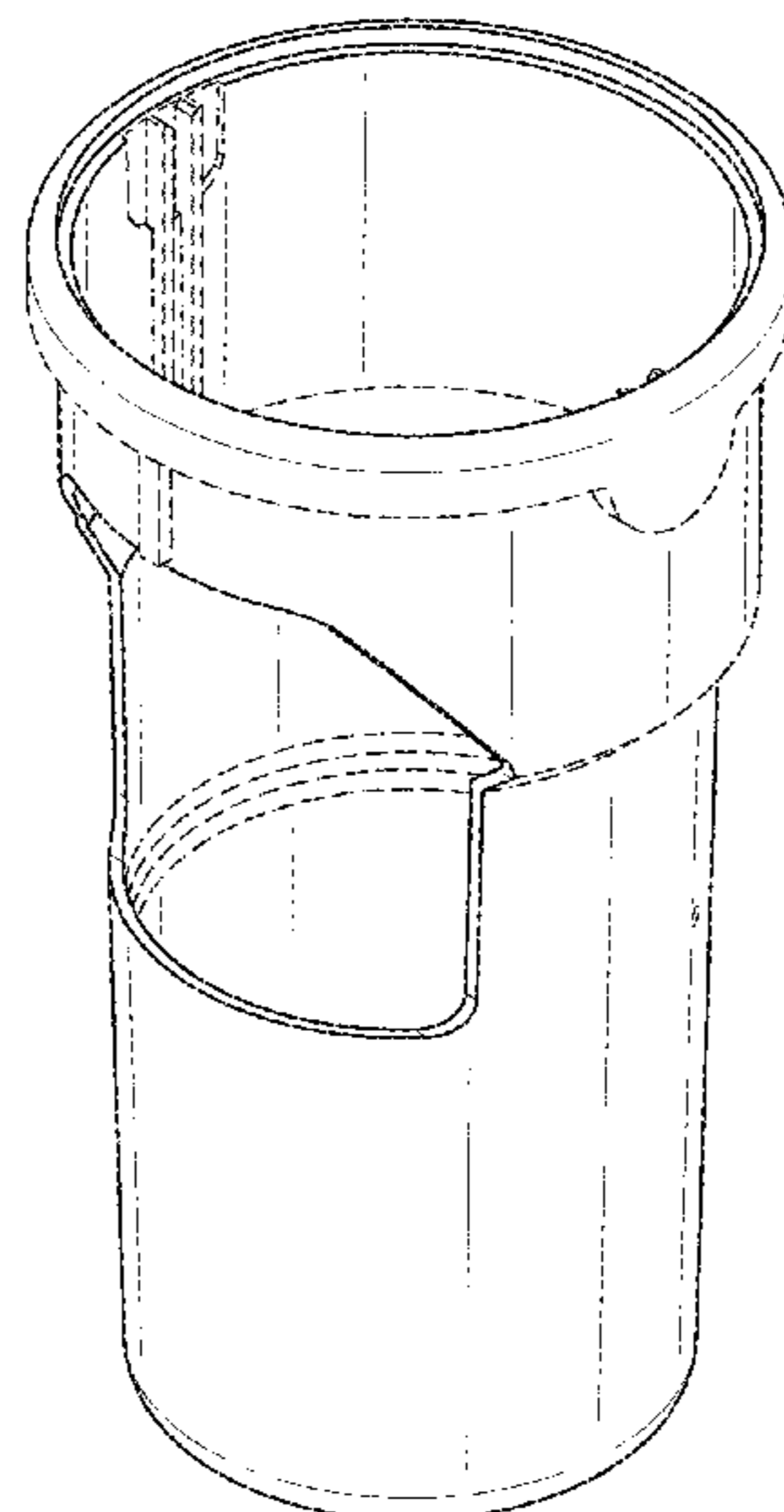
(57) **CLAIM**

The ornamental design for a pod for a produce-growing system, as shown and described.

DESCRIPTION

FIG. 1 is a front perspective view of a pod for a produce growing system;
 FIG. 2 is a front view thereof;
 FIG. 3 is a back view thereof;
 FIG. 4 is a left side view thereof;
 FIG. 5 is a right side view thereof;
 FIG. 6 is a top view thereof; and,
 FIG. 7 is a bottom view thereof.
 Broken lines are used to illustrate features of the pod for a produce-growing system that form no part of the presently claimed design.

1 Claim, 7 Drawing Sheets



(56)

References Cited

U.S. PATENT DOCUMENTS

D635,486 S * 4/2011 Bodum D11/142
D706,671 S * 6/2014 Thuma D11/152
D715,182 S * 10/2014 Nomura D11/143
D716,179 S * 10/2014 King D11/143
D742,052 S * 10/2015 Dorman D26/40
D758,917 S * 6/2016 Smith D11/155
D760,622 S * 7/2016 Ogden D11/143
9,439,362 B2 * 9/2016 Fisher A01G 9/022
D781,069 S * 3/2017 Marshall D6/553
9,622,427 B2 * 4/2017 Wagner A01G 9/022
D792,807 S * 7/2017 Bryan, III D11/144
D796,378 S * 9/2017 Storey D11/152
D797,508 S * 9/2017 Gobrecht D7/523
D809,964 S * 2/2018 Harshman D11/144
9,968,039 B2 * 5/2018 Graber A01G 9/023
D870,592 S * 12/2019 Addison D11/147
10,524,434 B2 * 1/2020 Van Buuren A01G 9/022
D882,020 S * 4/2020 Burrow D22/116
D882,027 S * 4/2020 Burrow D22/116
D882,032 S * 4/2020 Burrow D22/116
D882,033 S * 4/2020 Burrow D22/116
D888,603 S * 6/2020 Tong D11/144
2010/0132255 A1 * 6/2010 Webber A01G 9/023
47/29.1
2019/0200541 A1 * 7/2019 Park A01G 9/042

* cited by examiner

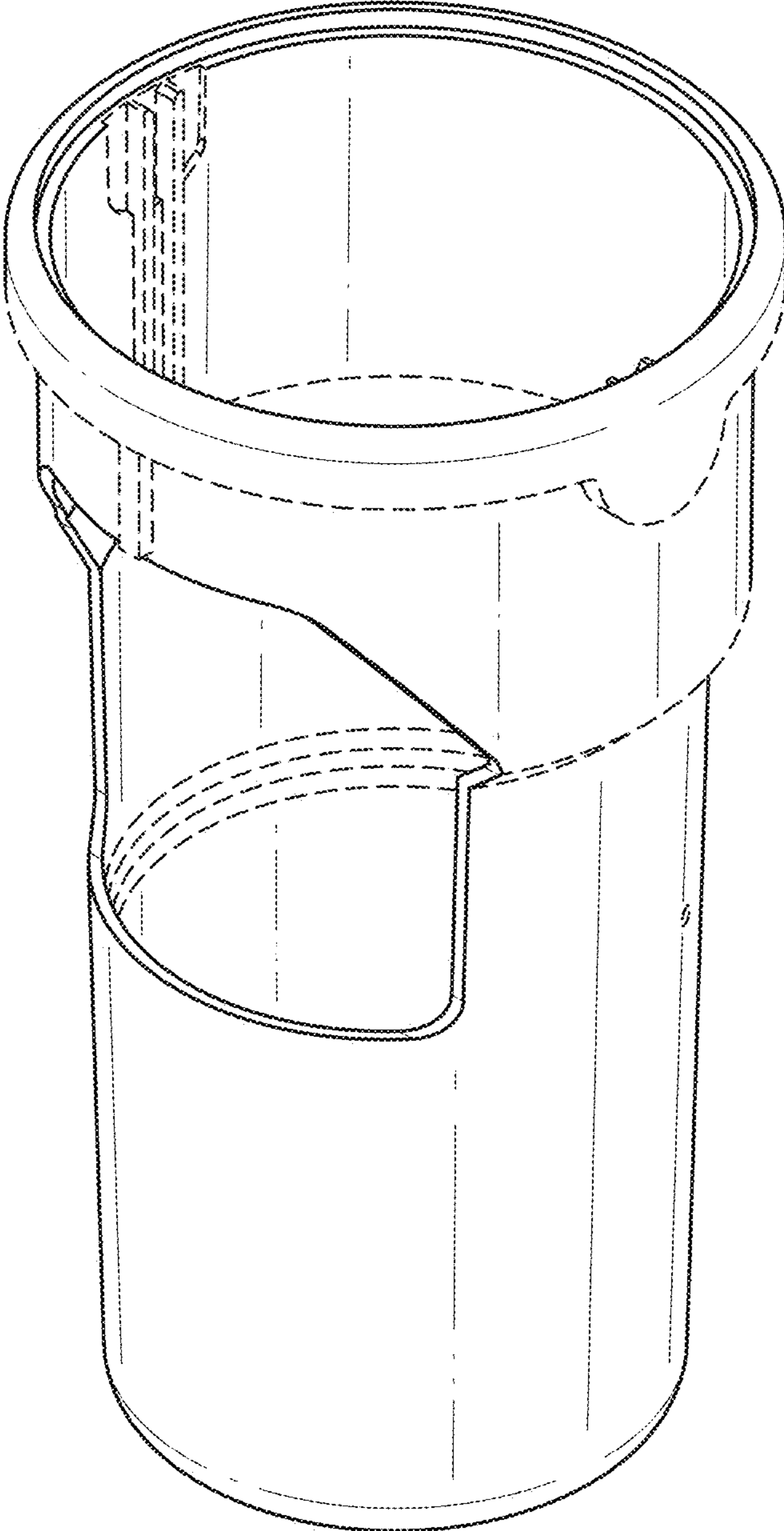


FIG. 1

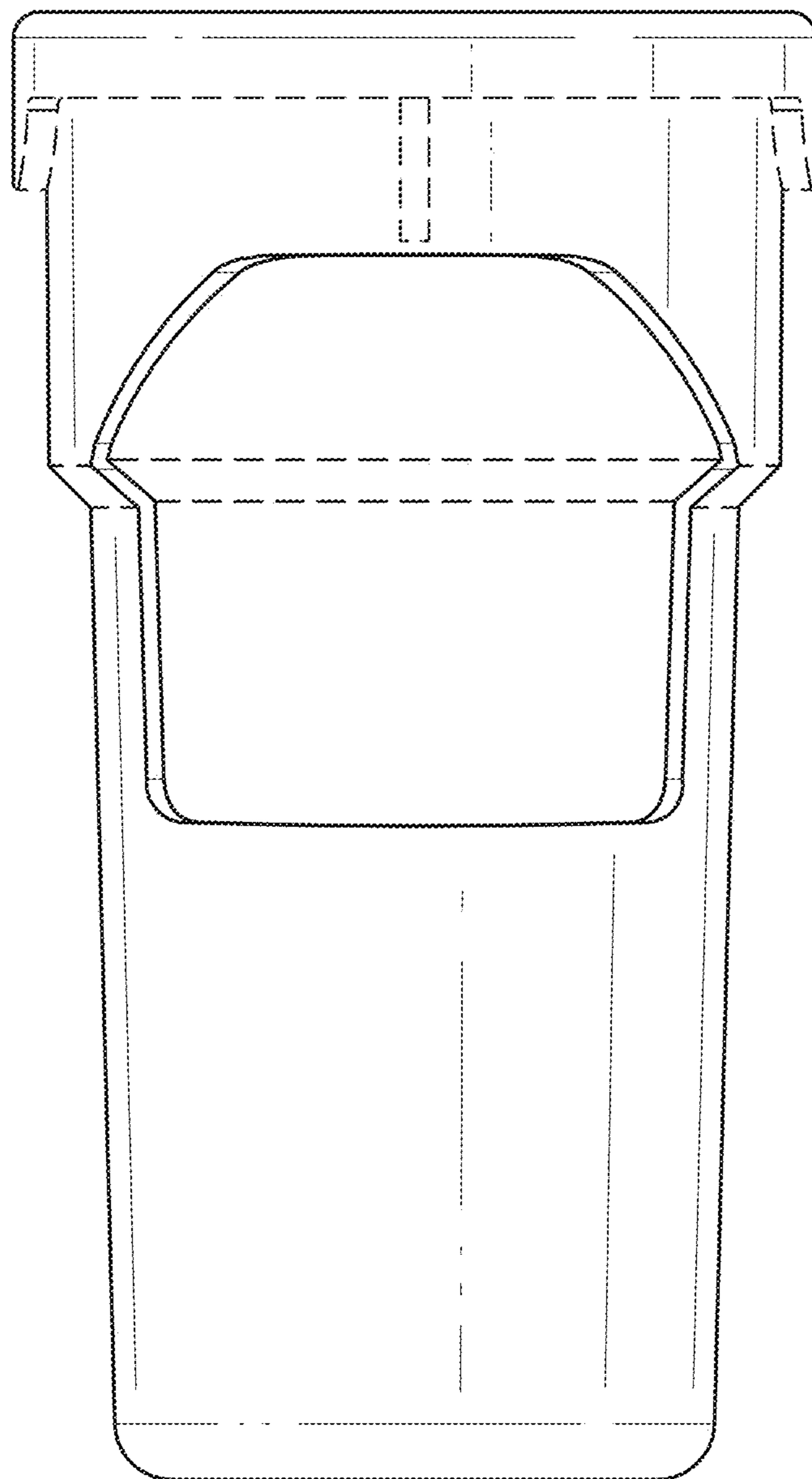


FIG. 2

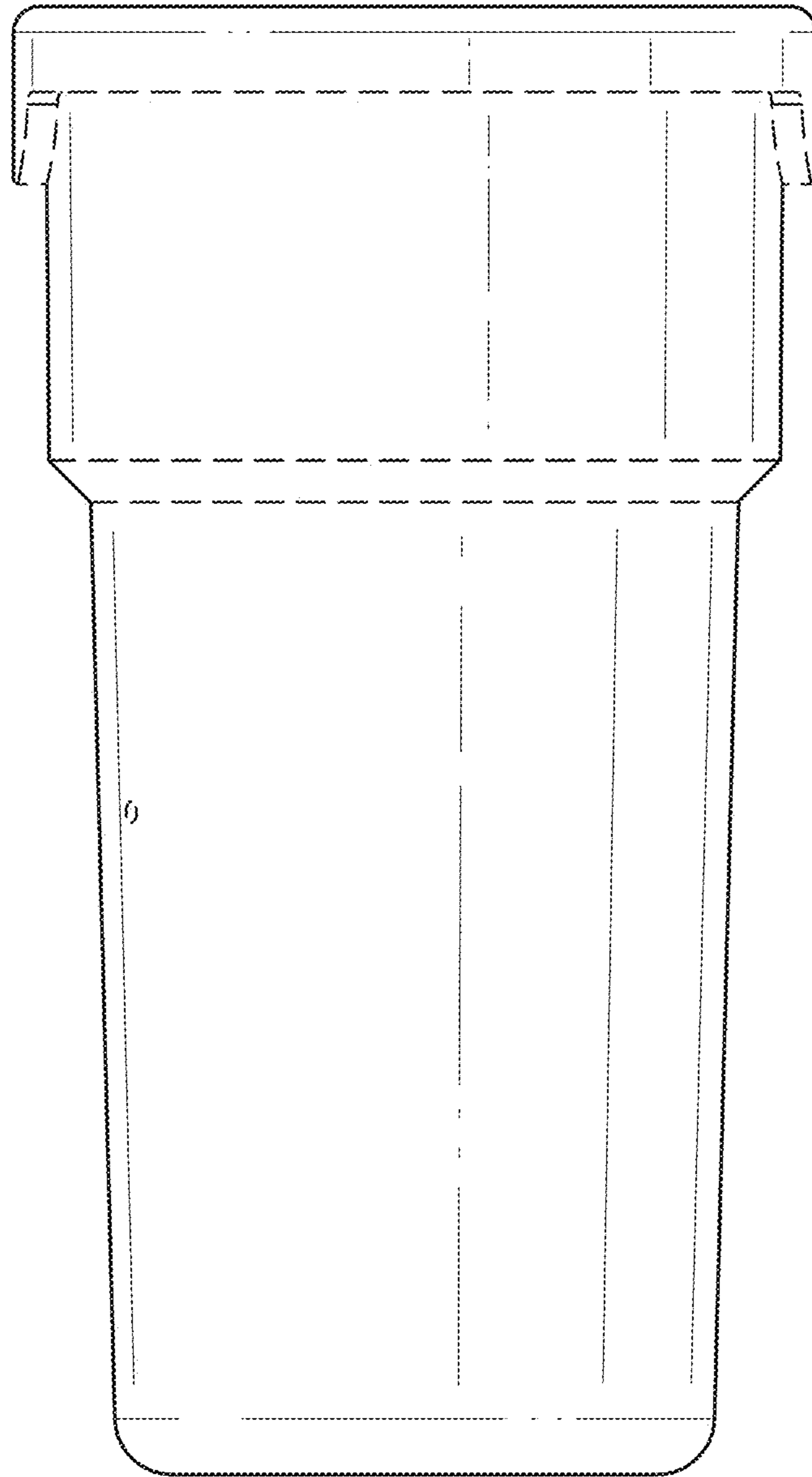


FIG. 3

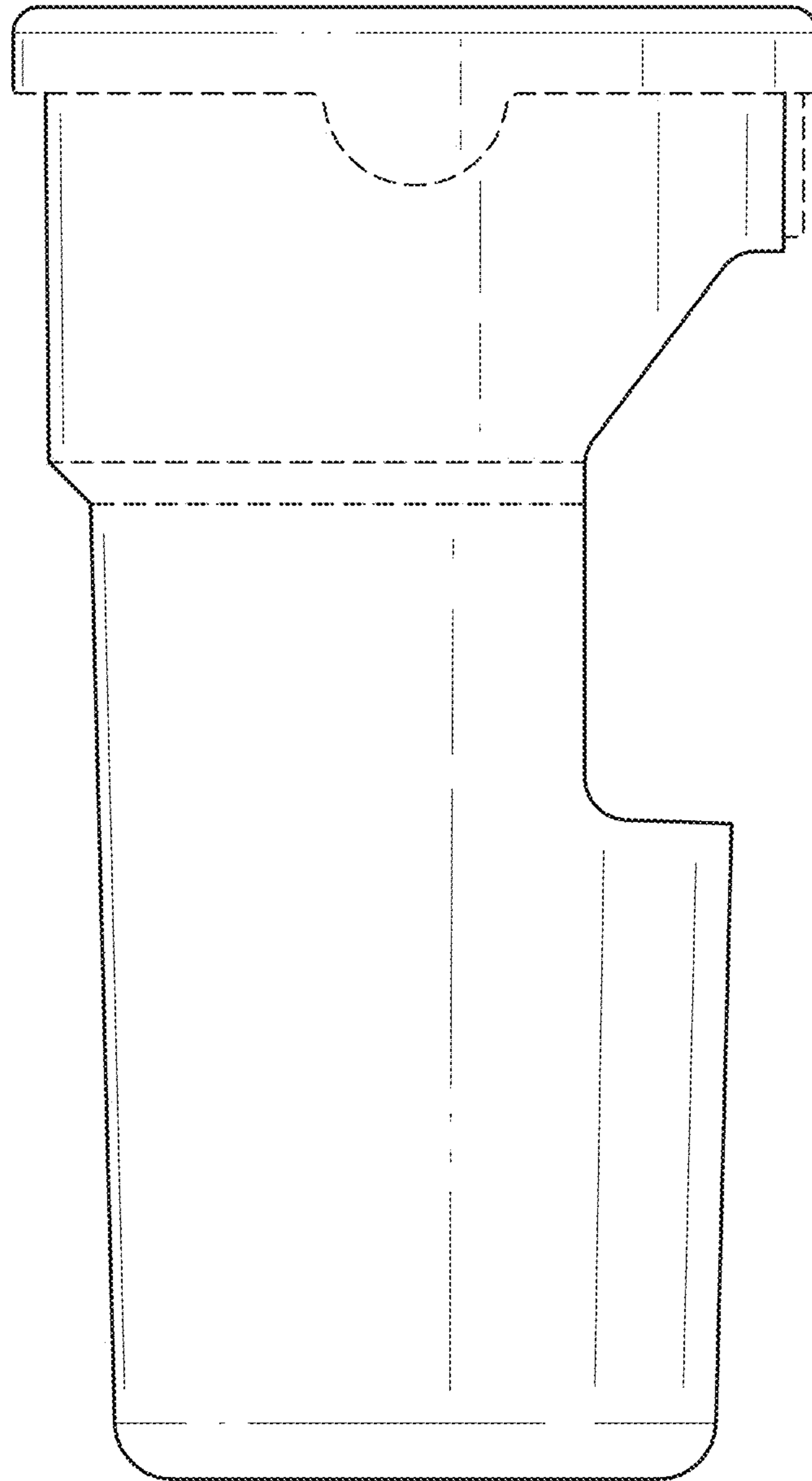


FIG. 4

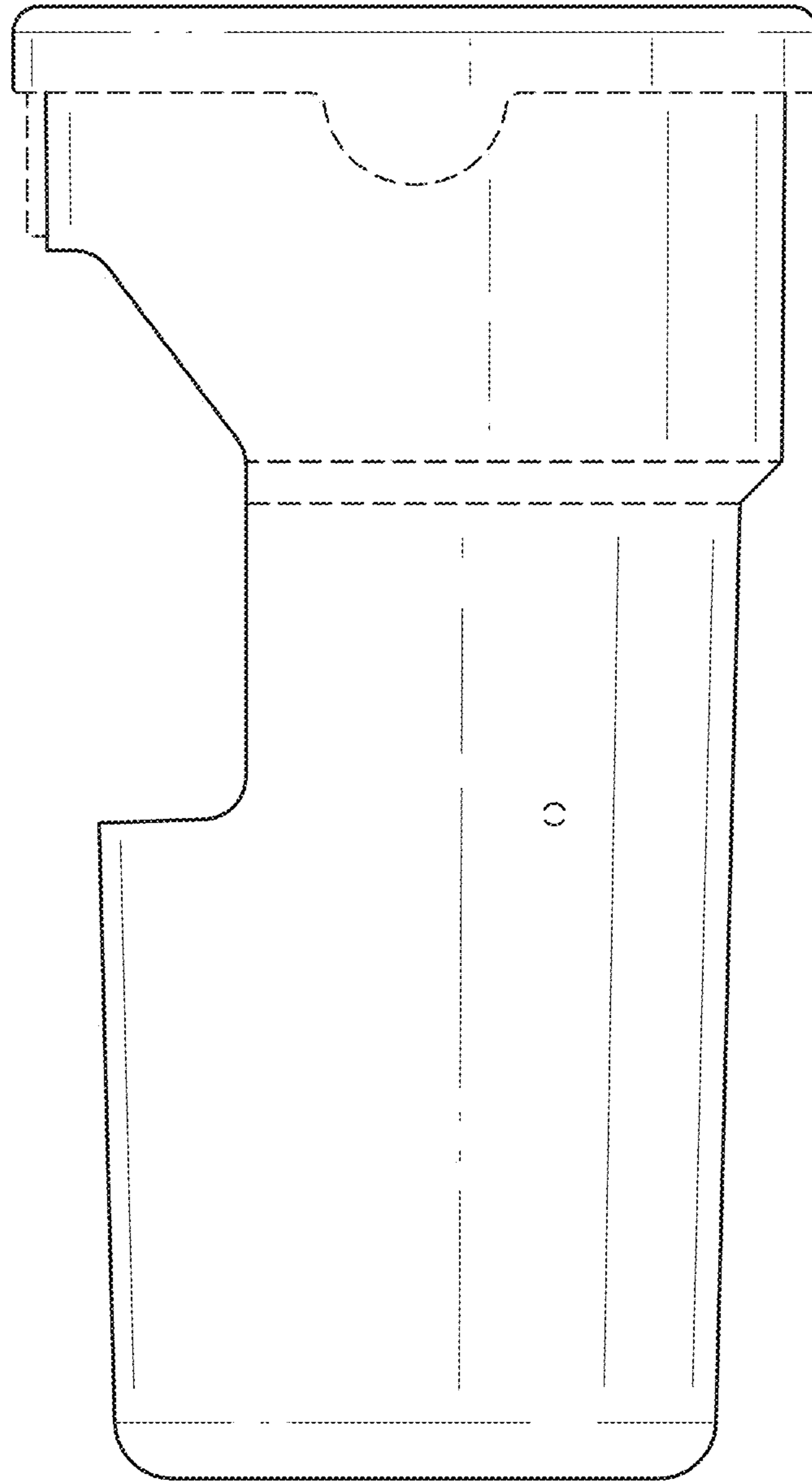


FIG. 5

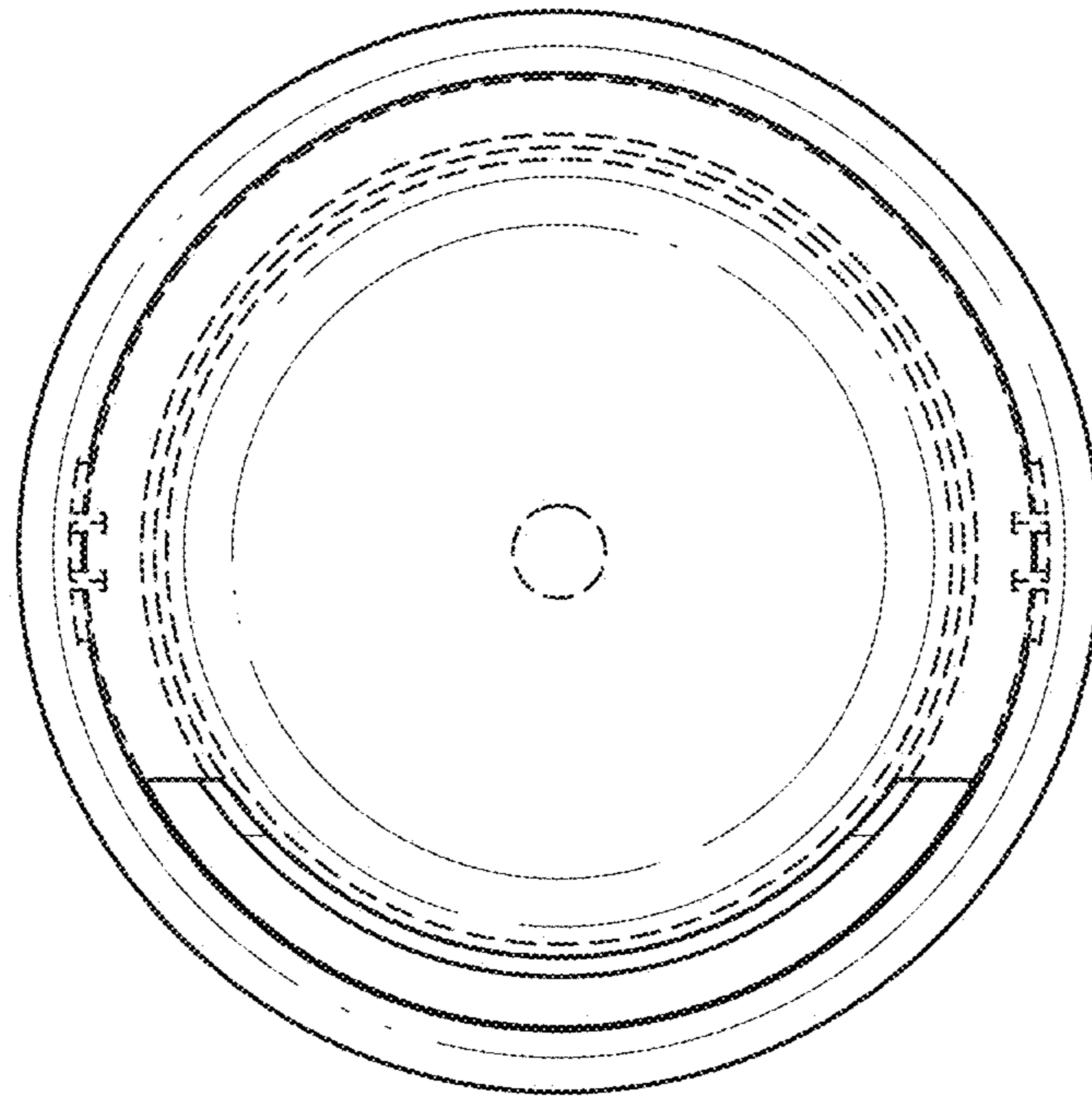


FIG. 6

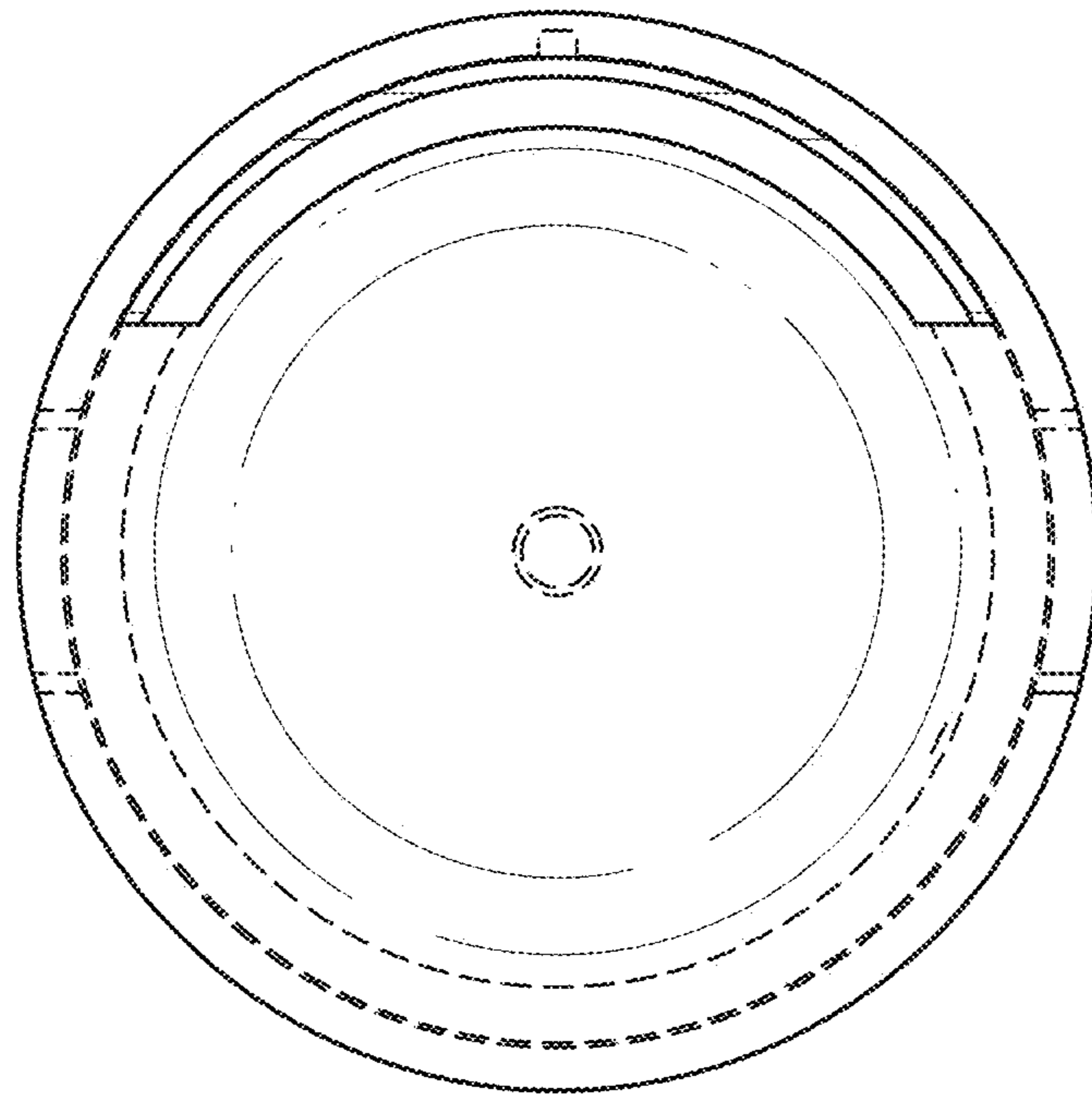


FIG. 7