

US00D922237S

(12) **United States Design Patent**
Parvex

(10) **Patent No.:** **US D922,237 S**
(45) **Date of Patent:** **** Jun. 15, 2021**

(54) **BRACELET**
(71) Applicant: **VAN CLEEF & ARPELS SA,**
Villars-sur-Glâne (CH)
(72) Inventor: **Isabelle Parvex,** Bagneux (FR)

D177,389 S * 4/1956 Katz D11/14
D656,055 S * 3/2012 Mouawad D11/56
D869,981 S * 12/2019 Parvex D11/84
D870,590 S * 12/2019 Parvex D11/84
D875,594 S * 2/2020 Parvex D11/63
D876,274 S * 2/2020 Parvex D11/63
D898,607 S * 10/2020 Parvex D11/34

(**) Term: **15 Years**

OTHER PUBLICATIONS

(21) Appl. No.: **35/509,519**

Van Cleef & Arpels VCARP6L200—Frivole bracelet, no date available, [online], [site visited Feb. 24, 2021]. Retrieved from url: <https://www.vancleefarpels.com/us/en/collections/jewelry/flora/frivole/vcarp6l200---frivole-bracelet-7-flowers-medium-model.html> (Year: 2021).*

(22) Filed: **Dec. 5, 2019**

* cited by examiner

(80) **Hague Agreement Data**

Int. Filing Date: **Dec. 5, 2019**
Int. Reg. No.: **DM/204743**
Int. Reg. Date: **Dec. 5, 2019**
Int. Reg. Pub. Date: **Jun. 5, 2020**

Primary Examiner — Michelle E. Wilson
Assistant Examiner — Tracey J Bell

(51) **LOC (13) Cl.** **11-01**

(57) **CLAIM**

(52) **U.S. Cl.**
USPC **D11/4**

The ornamental design for a bracelet, as shown and described.

(58) **Field of Classification Search**
USPC D11/1, 3–6, 9–18, 27; D10/32
CPC A44C 5/00–246
See application file for complete search history.

DESCRIPTION

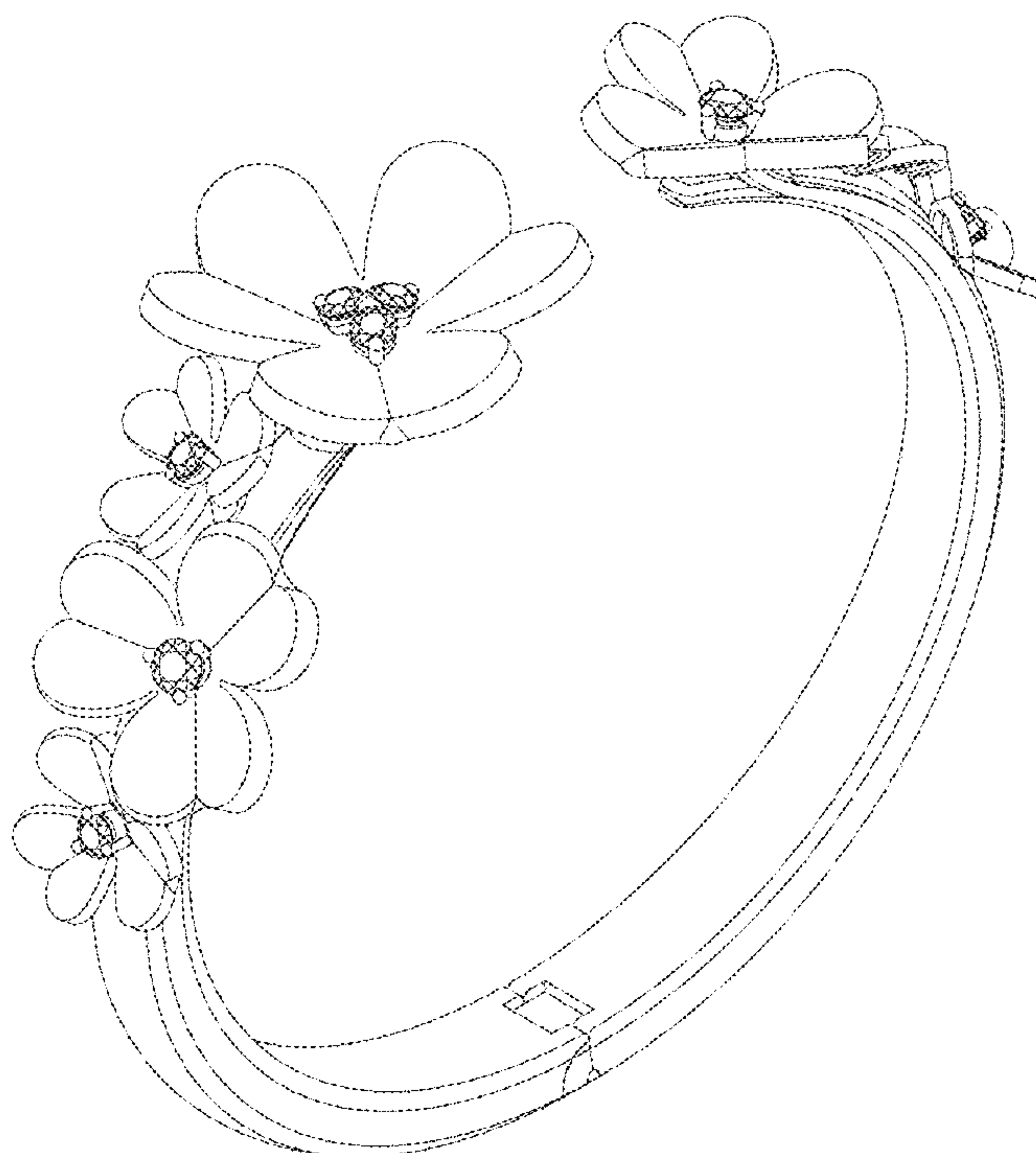
(56) **References Cited**

U.S. PATENT DOCUMENTS

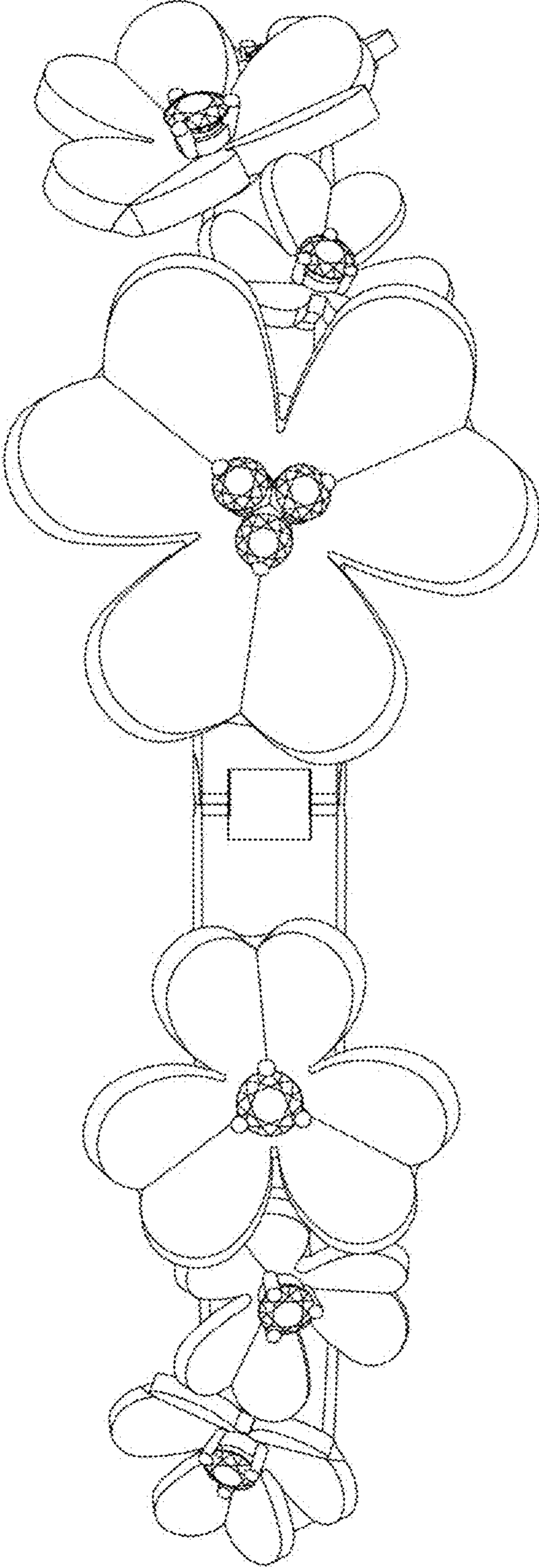
D49,737 S * 10/1916 Caspary D11/4
D121,223 S * 6/1940 Philippe D11/84
D121,224 S * 6/1940 Philippe D11/6
D126,271 S * 4/1941 Philippe D11/10
D162,458 S * 3/1951 Philippe D11/4
D162,463 S * 3/1951 Philippe D11/84

- 1. Bracelet
- 1.1 : Front
- 1.2 : Back
- 1.3 : Top
- 1.4 : Bottom
- 1.5 : Left
- 1.6 : Right
- 1.7 : Perspective
- 1.8 : Perspective

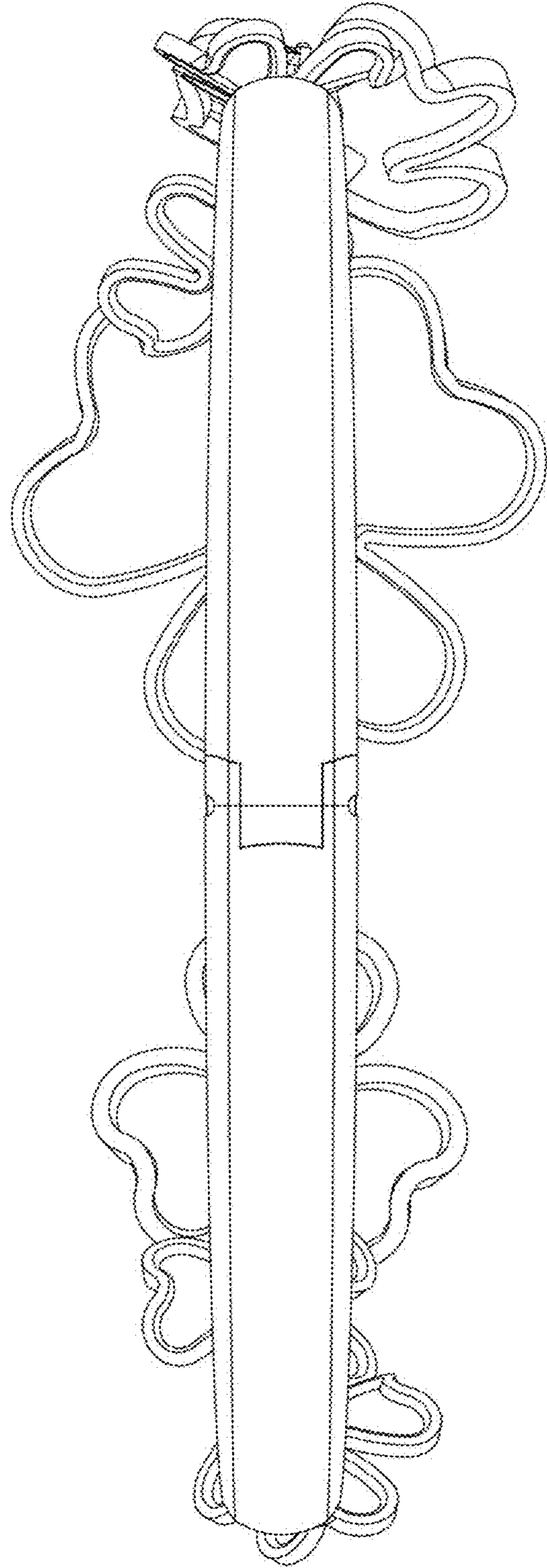
1 Claim, 8 Drawing Sheets



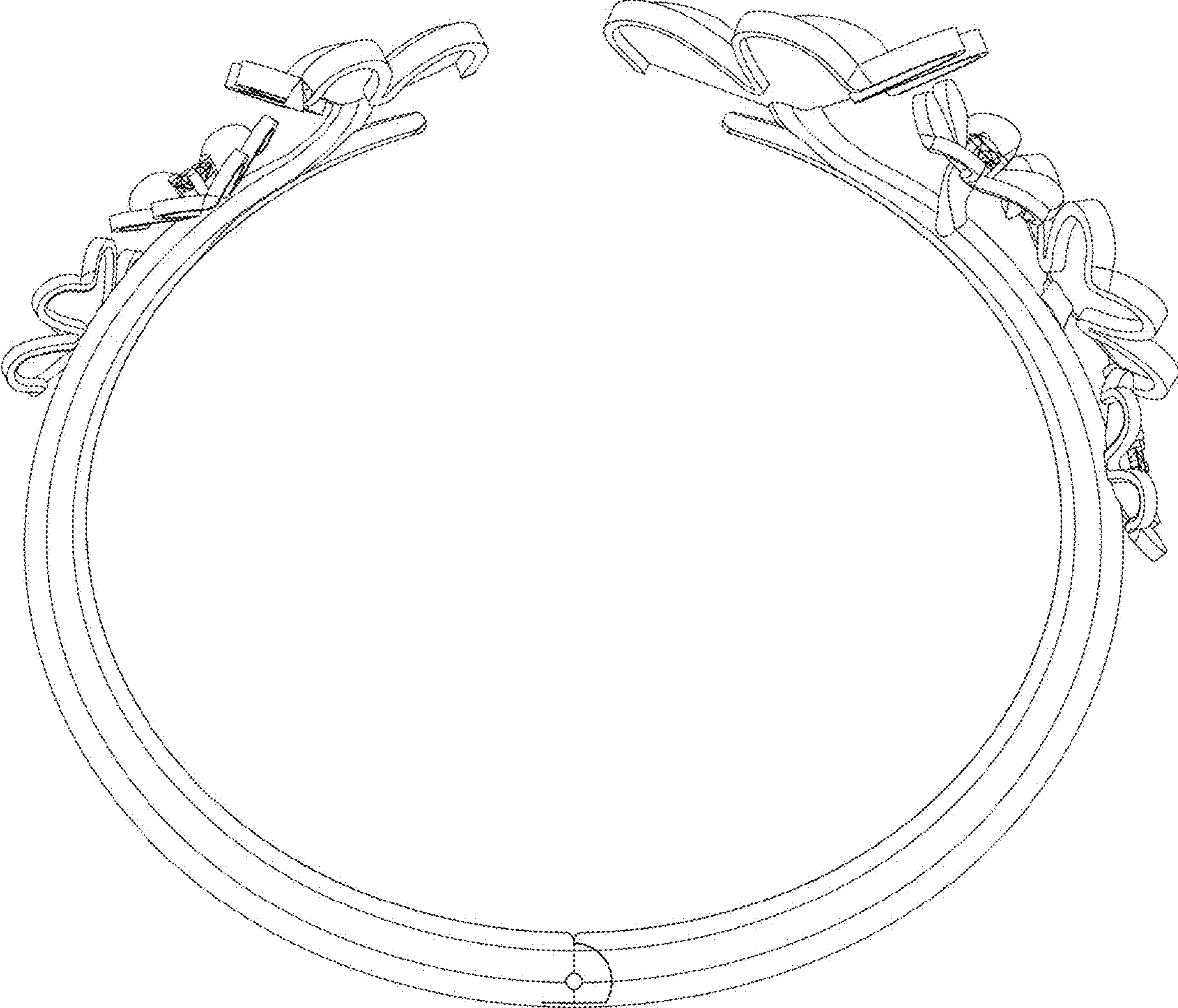
1.1



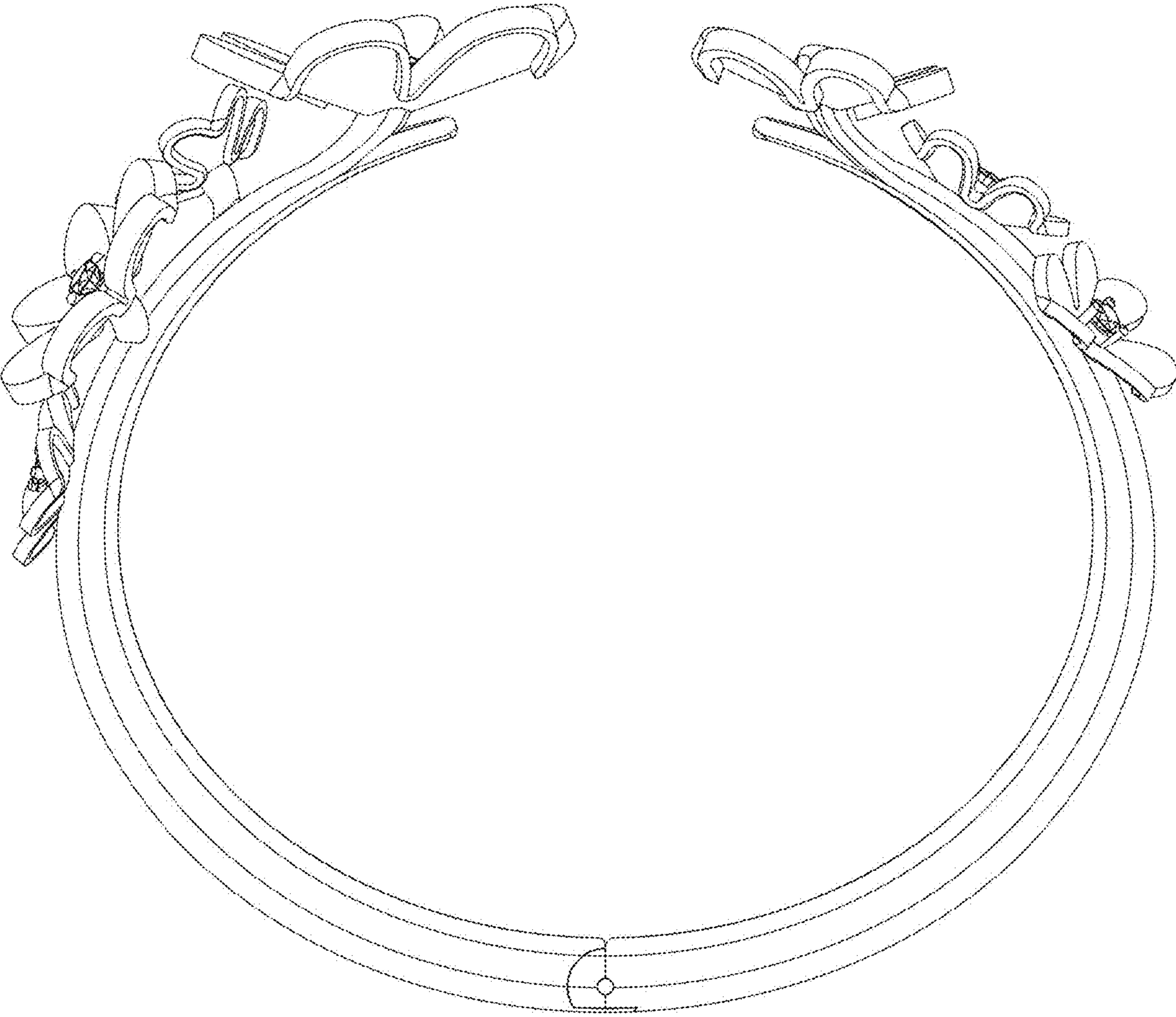
1.2



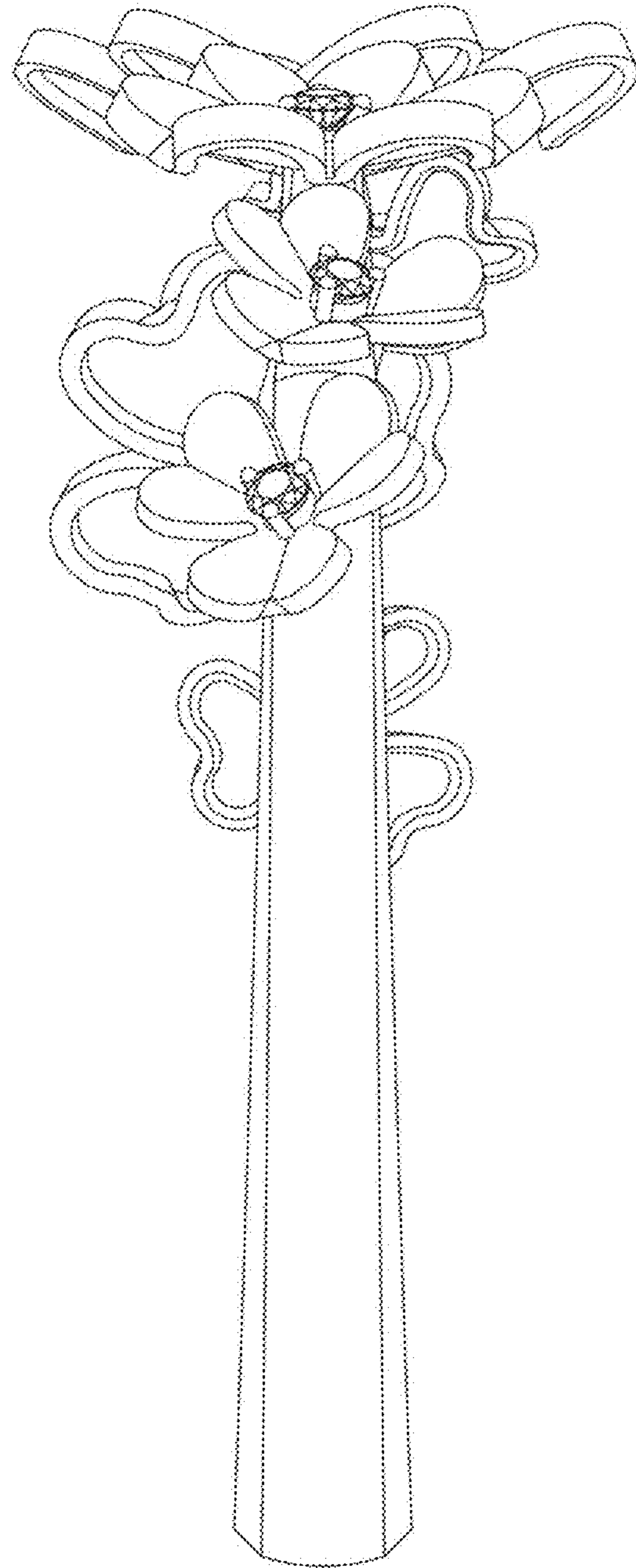
1.3



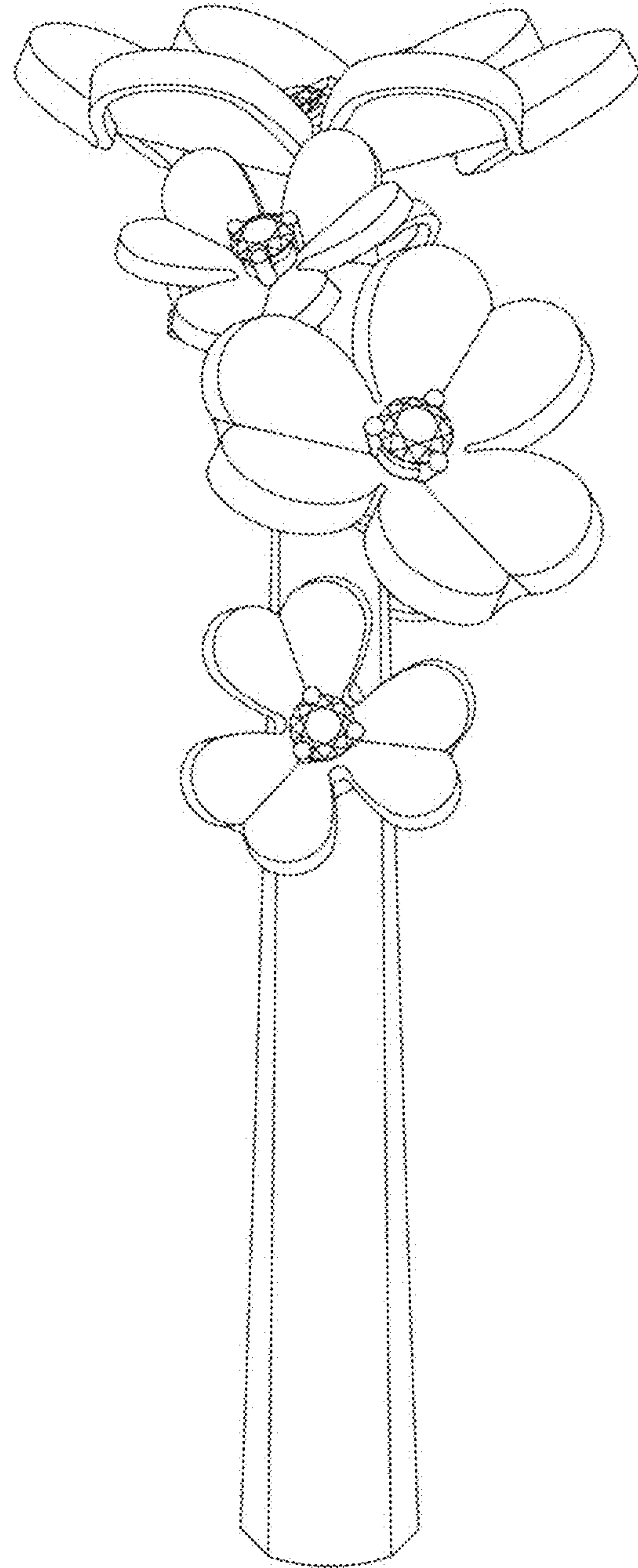
1.4



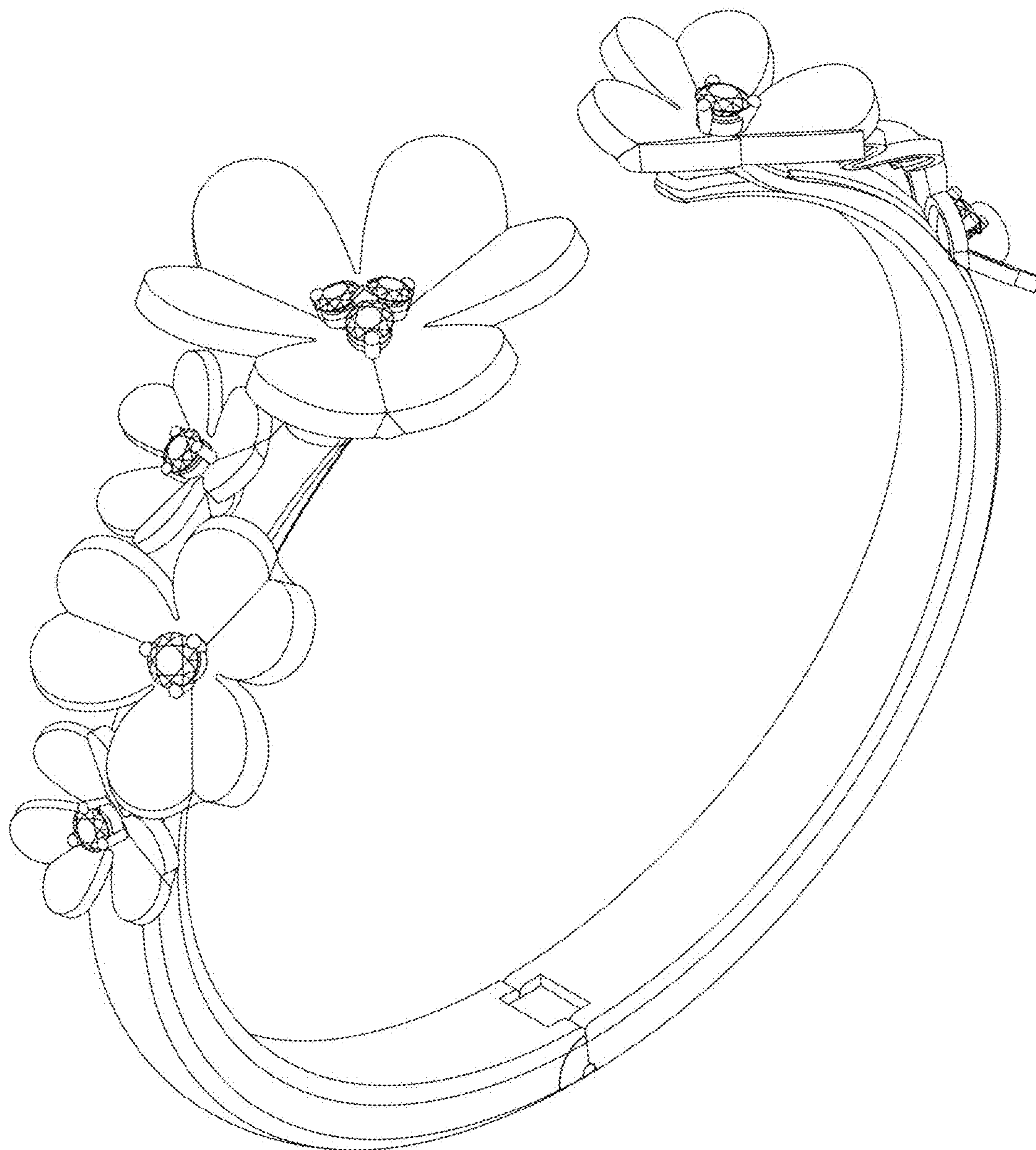
1.5



1.6



1.7



1.8

