



US00D922235S

(12) **United States Design Patent**
Tan

(10) **Patent No.:** **US D922,235 S**

(45) **Date of Patent:** **** Jun. 15, 2021**

(54) **DOOR BELL**

(71) Applicant: **Changfen Tan**, Yichang (CN)

(72) Inventor: **Changfen Tan**, Yichang (CN)

(**) Term: **15 Years**

(21) Appl. No.: **29/713,744**

(22) Filed: **Nov. 18, 2019**

(51) **LOC (13) Cl.** **10-05**

(52) **U.S. Cl.**
USPC **D10/118.2**

(58) **Field of Classification Search**
USPC D10/106.6, 106.7, 106.8, 116.1, 118,
D10/118.2, 121-124, 126; D13/171, 174;
D14/358; D16/202, 203, 208, 209, 215
CPC ... G08B 3/00; G08B 3/10; G08B 7/00; G08B
7/06; G08B 13/1436; G08B 13/1463;
G08B 13/1481

See application file for complete search history.

(56) **References Cited**

U.S. PATENT DOCUMENTS

D830,872 S	*	10/2018	Jacob	D10/118.2
D850,314 S	*	6/2019	Laurans	D10/118.2
D850,315 S	*	6/2019	Laurans	D10/118.2
D853,264 S	*	7/2019	Laurans	D10/118.2
D871,483 S	*	12/2019	Chang	D16/203
D879,640 S	*	3/2020	Jacob	D10/118.2
D883,833 S	*	5/2020	Jacob	D10/118.2
D883,834 S	*	5/2020	Jacob	D10/118.2
D892,662 S	*	8/2020	Wang	D10/118.2

D897,877 S	*	10/2020	Yang	D10/118
D897,879 S	*	10/2020	Yang	D10/118.2
D906,148 S	*	12/2020	Jacob	D10/118.2
D906,149 S	*	12/2020	Jacob	D10/118.2
D906,150 S	*	12/2020	Jacob	D10/118.2
D906,151 S	*	12/2020	Jacob	D10/118.2
D906,398 S	*	12/2020	Wang	D16/203
D906,399 S	*	12/2020	Wang	D16/203
D908,765 S	*	1/2021	Wang	D16/203

* cited by examiner

Primary Examiner — George D. Kirschbaum

Assistant Examiner — Joseph J Kukella

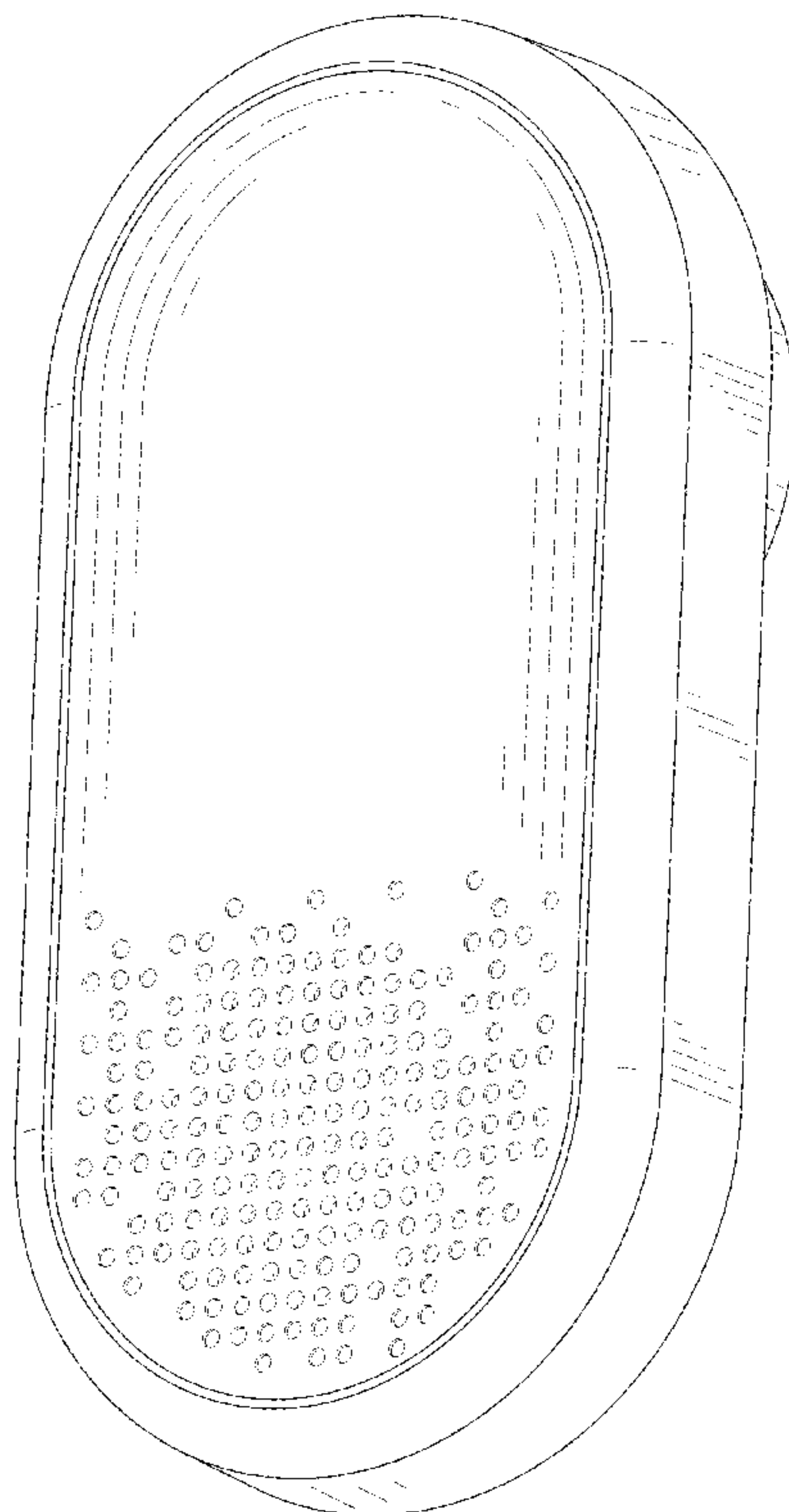
(57) **CLAIM**

The ornamental design for a door bell, as shown and described.

DESCRIPTION

FIG. 1 is a perspective view of a door bell showing my new design;
FIG. 2 is another perspective view thereof;
FIG. 3 is a front elevational view thereof;
FIG. 4 is a rear elevational view thereof;
FIG. 5 is a left side elevational view thereof;
FIG. 6 is a right side elevational view thereof;
FIG. 7 is a top plan view thereof; and,
FIG. 8 is a bottom plan view thereof.
The broken lines in the drawings are for the purpose of illustrating portions of the door bell that form no part of the claimed design.

1 Claim, 8 Drawing Sheets



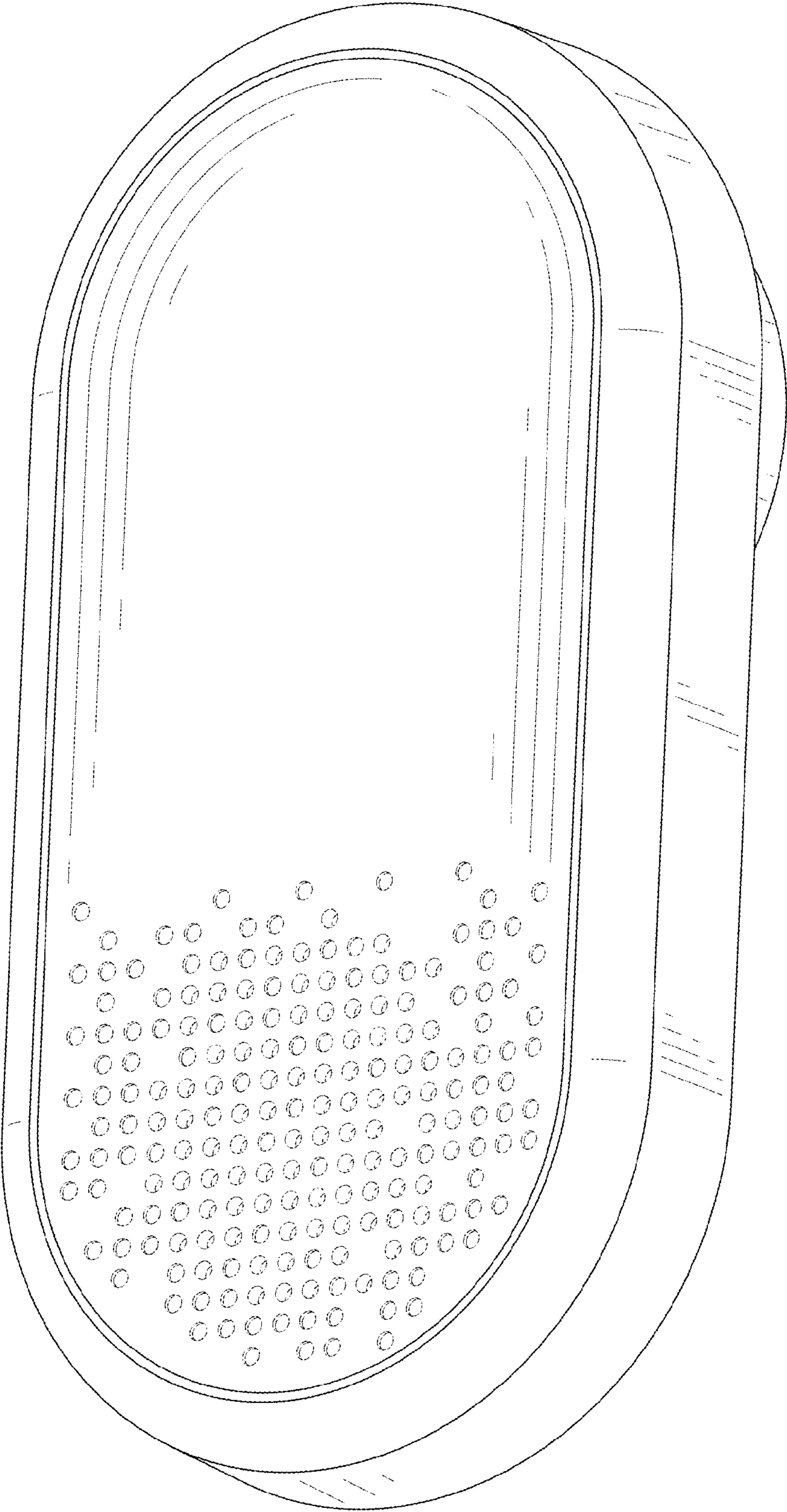


FIG. 1

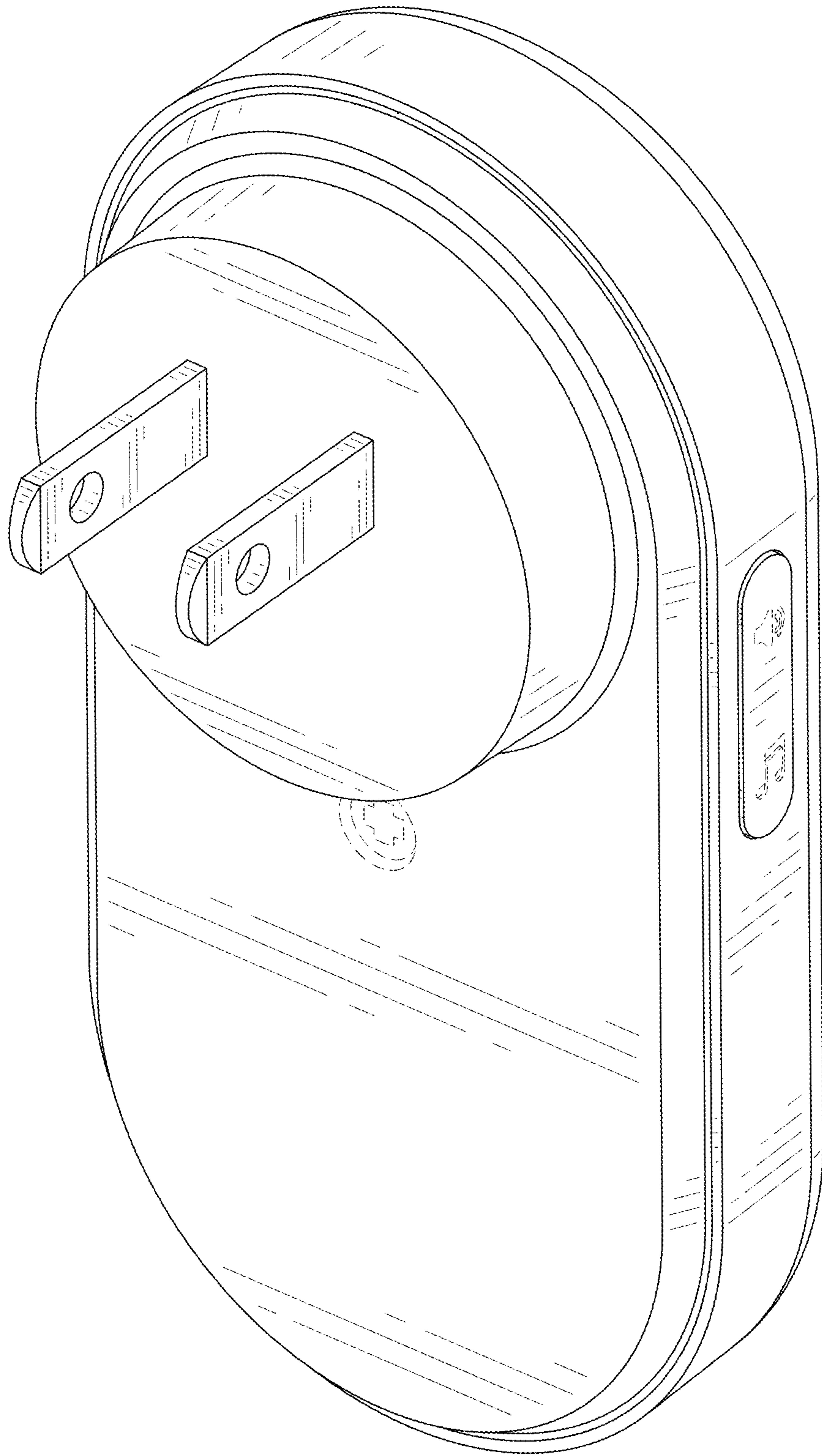


FIG. 2

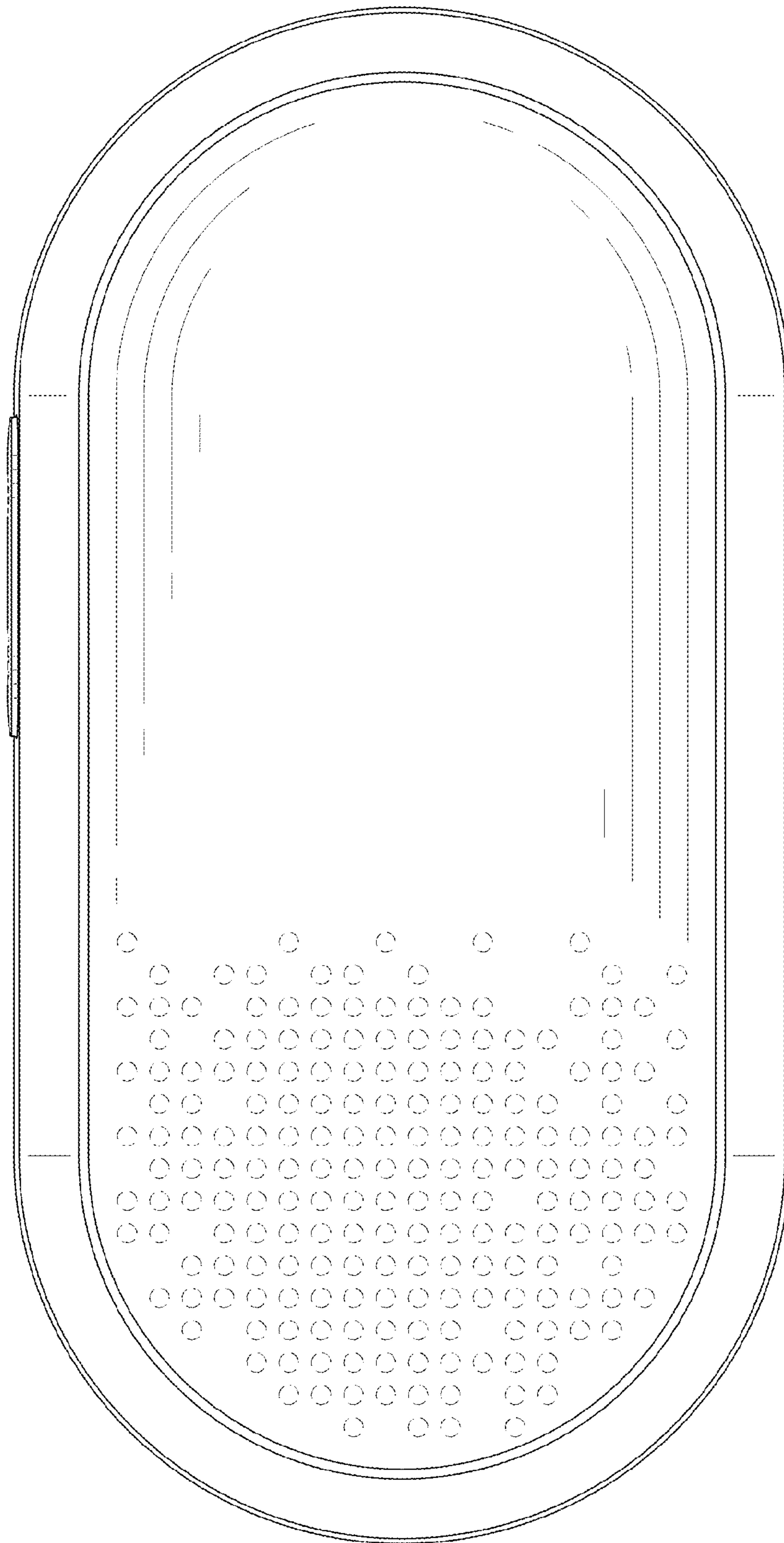


FIG. 3

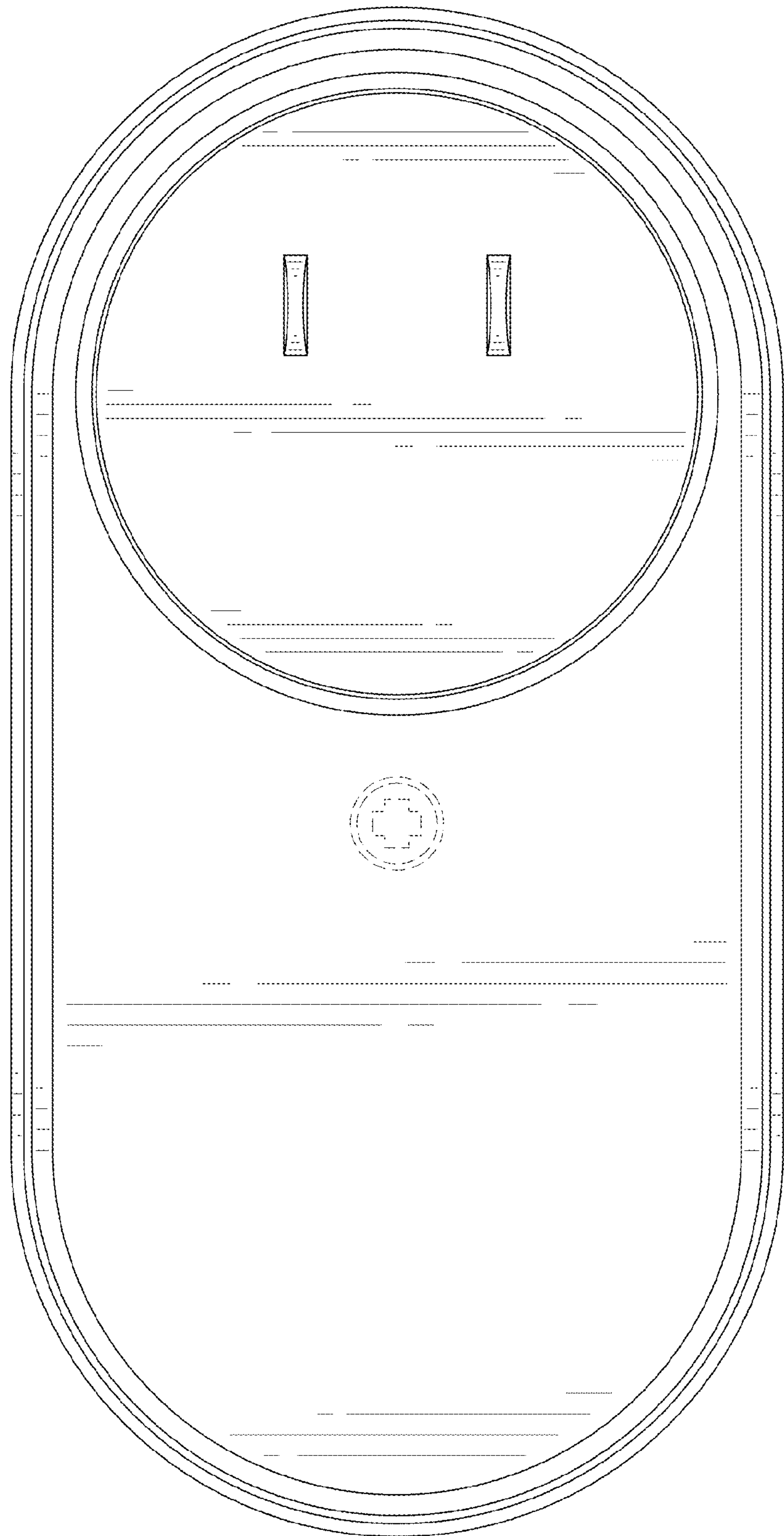


FIG. 4

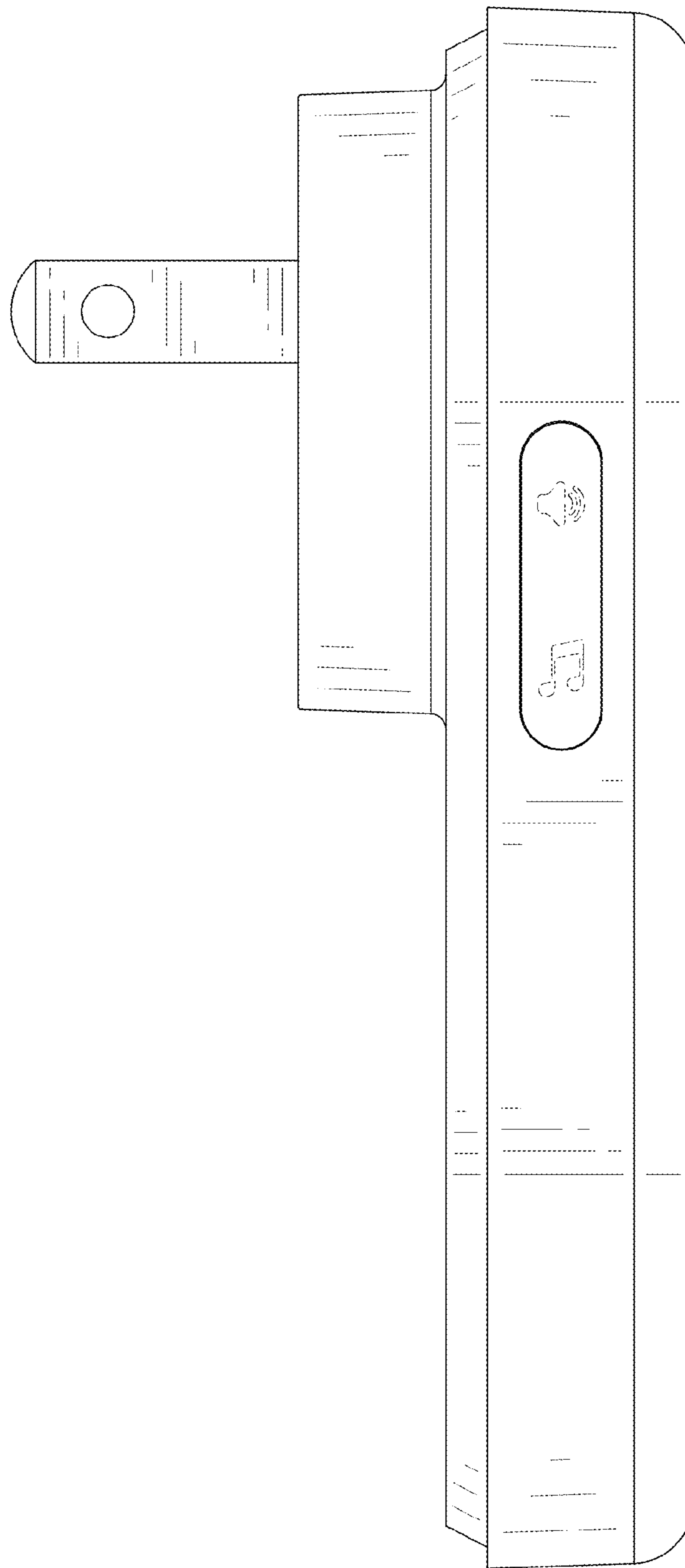


FIG. 5

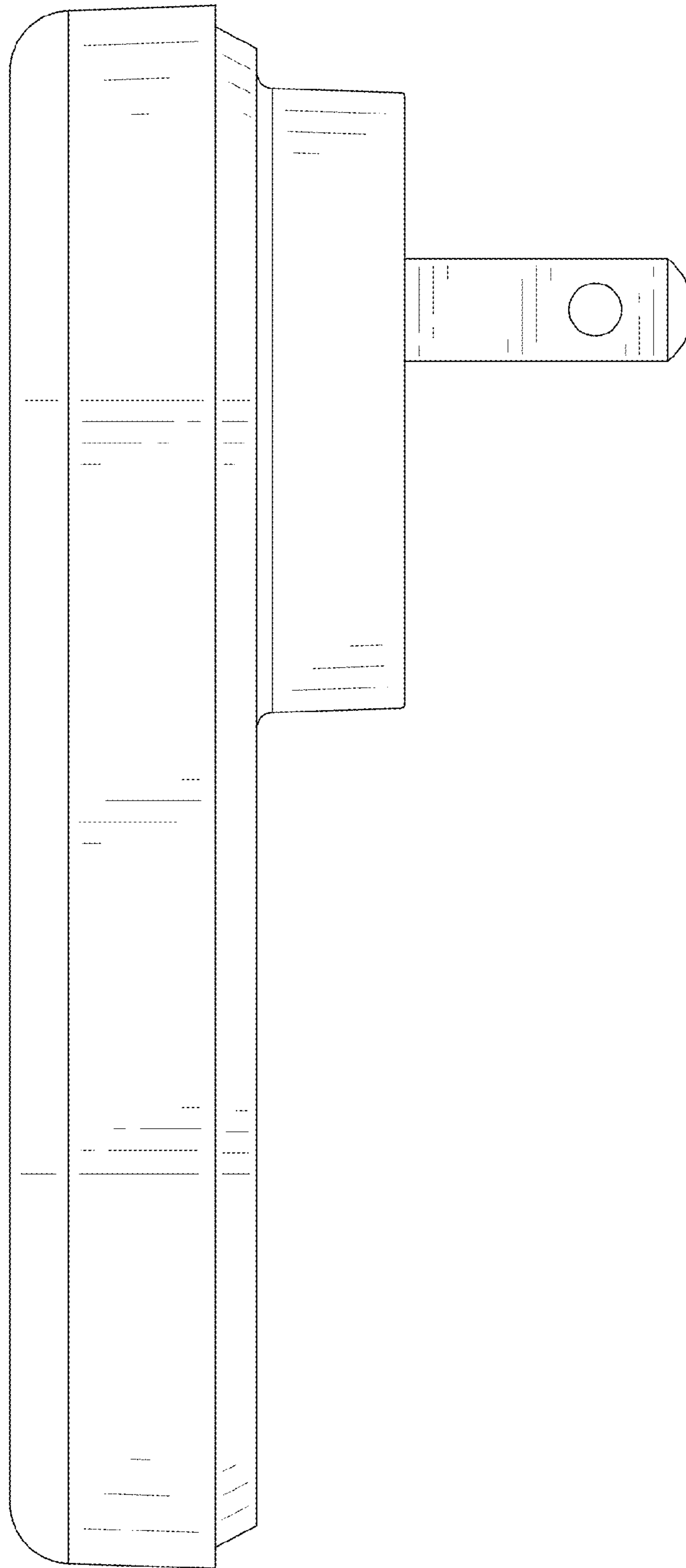


FIG. 6

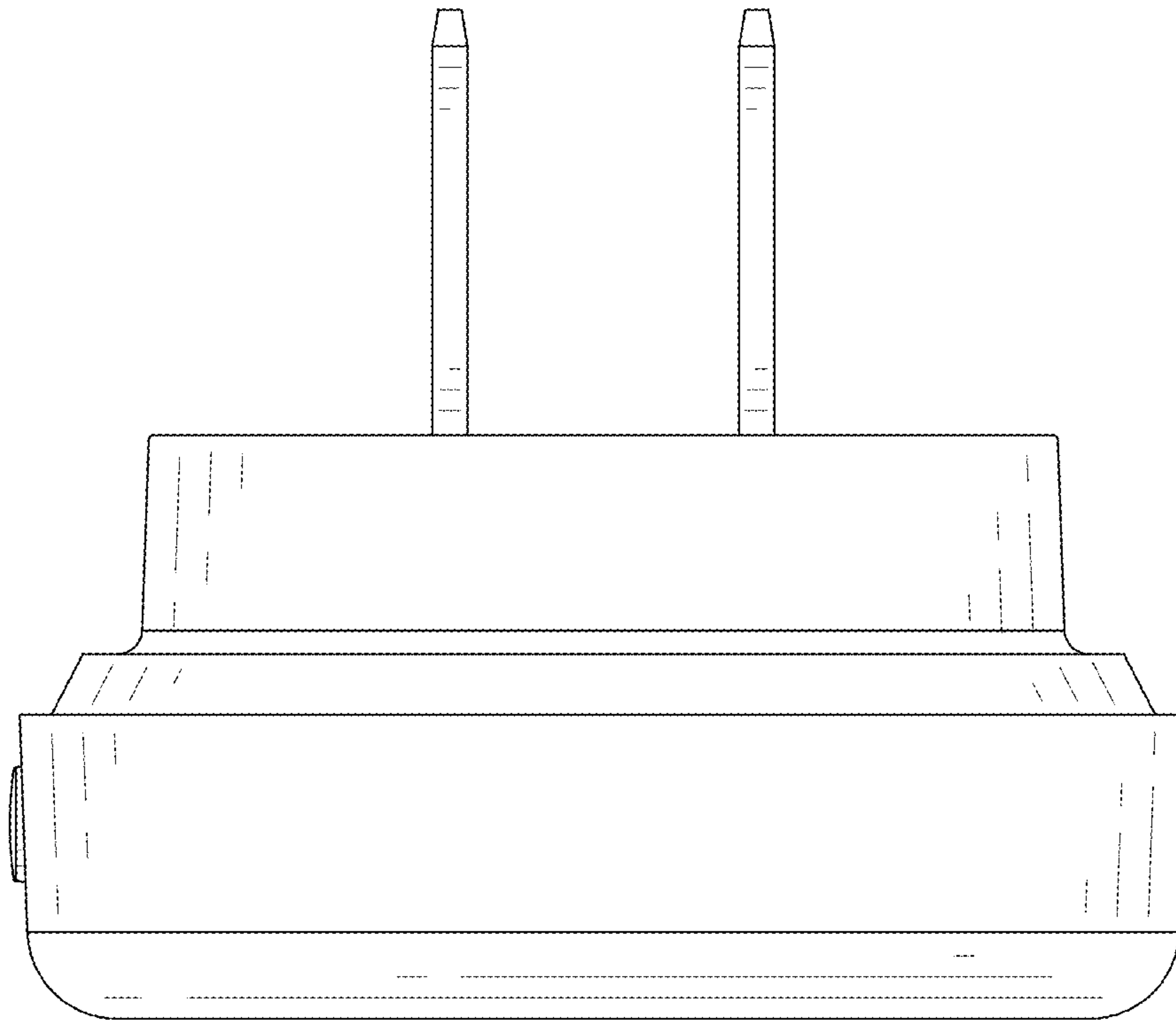


FIG. 7

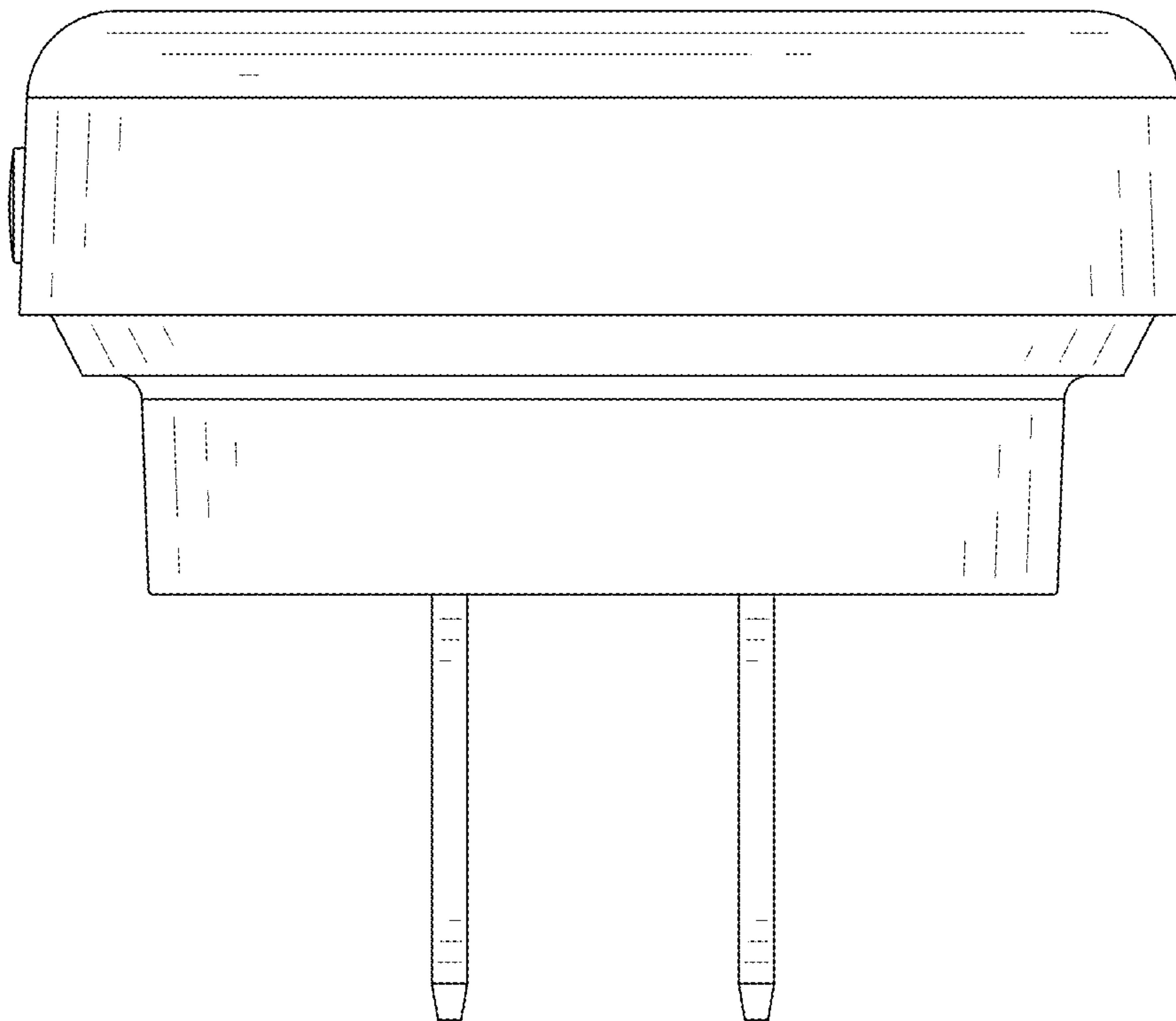


FIG. 8