



US00D922231S

(12) **United States Design Patent**  
**Densham et al.**

(10) **Patent No.:** **US D922,231 S**  
(45) **Date of Patent:** **\*\* Jun. 15, 2021**

(54) **ELECTRONIC DEVICE**

(71) Applicant: **CAST Group of Companies Inc.**,  
Toronto (CA)

(72) Inventors: **Gilray Densham**, Inglewood (CA);  
**Andrew Gordon**, Toronto (CA); **Juan**  
**Ernesto Salas Imana**, Toronto (CA);  
**Viktor Anthony Zakrajsek**, Toronto  
(CA); **Vernadette Dimafles Saguil**,  
Toronto (CA)

(73) Assignee: **CAST GROUP OF COMPANIES**  
**INC.**, Toronto (CA)

(\*\*) Term: **15 Years**

(21) Appl. No.: **29/691,027**

(22) Filed: **May 13, 2019**

(51) **LOC (13) Cl.** ..... **10-05**

(52) **U.S. Cl.**  
USPC ..... **D10/106.9; D10/70**

(58) **Field of Classification Search**  
USPC ..... **D10/46, 70, 106.9, 106.91, 106.92**  
(Continued)

(56) **References Cited**

**U.S. PATENT DOCUMENTS**

D708,978 S \* 7/2014 Gelowitz ..... G06K 7/10178  
D10/106.9  
D709,396 S \* 7/2014 Eidelman ..... G06K 7/10178  
D10/106.9

(Continued)

*Primary Examiner* — Antoine Duval Davis

(57) **CLAIM**

The ornamental design of an electronic device, substantially  
as shown and described.

**DESCRIPTION**

FIG. 1 is a top perspective view of the electronic device  
according a first embodiment.

FIG. 2 is a top view of the electronic device according to the  
first embodiment.

FIG. 3 is a left side view of the electronic device according  
to the first embodiment.

FIG. 4 is a front view of the electronic device according to  
the first embodiment.

FIG. 5 is a right side view of the electronic device according  
to the first embodiment.

FIG. 6 is a rear view of the electronic device according the  
first embodiment.

FIG. 7 is a bottom view of the electronic device according  
to the first embodiment.

FIG. 8 is a bottom perspective view of the electronic device  
according to the first embodiment.

FIG. 9 is a top perspective view of the electronic device  
according a second embodiment.

FIG. 10 is a top view of the electronic device according to  
the second embodiment.

FIG. 11 is a left side view of the electronic device according  
to the second embodiment.

FIG. 12 is a front view of the electronic device according to  
the second embodiment.

FIG. 13 is a right side view of the electronic device  
according to the second embodiment.

FIG. 14 is a rear view of the electronic device according the  
second embodiment.

FIG. 15 is a bottom view of the electronic device according  
to the second embodiment.

FIG. 16 is a bottom perspective view of the electronic device  
according to the second embodiment.

FIG. 17 is a top perspective view of the electronic device  
according a third embodiment.

FIG. 18 is a top view of the electronic device according to  
the third embodiment.

FIG. 19 is a left side view of the electronic device according  
to the third embodiment.

FIG. 20 is a front view of the electronic device according to  
the third embodiment.

FIG. 21 is a right side view of the electronic device  
according to the third embodiment.

FIG. 22 is a rear view of the electronic device according the  
third embodiment.

FIG. 23 is a bottom view of the electronic device according  
to the third embodiment; and,

(Continued)

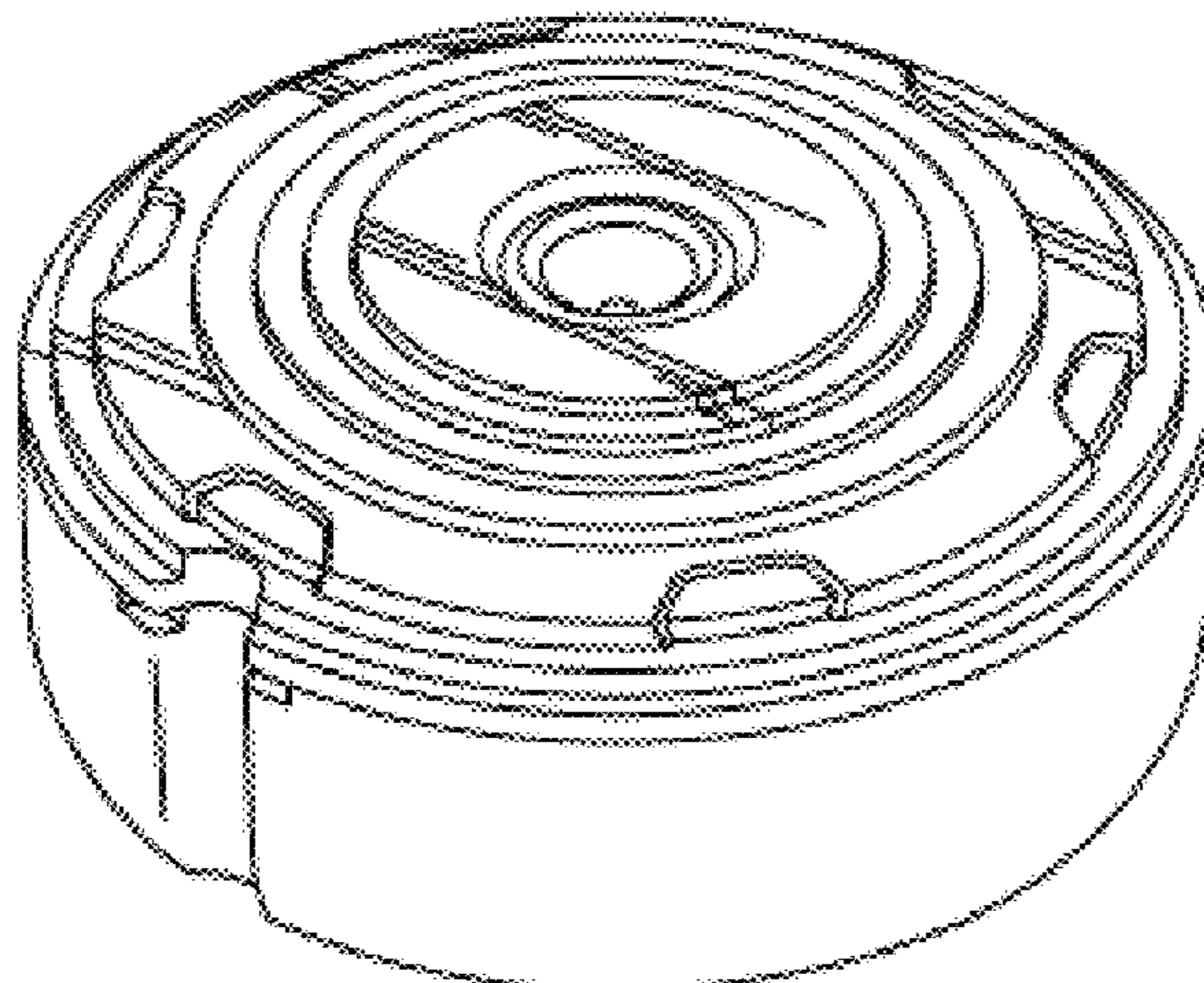


FIG. 24 is a bottom perspective view of the electronic device according to the third embodiment.

The broken lines on the bottom surface within the claimed design in the first and second embodiments are for illustrative purposes only. None of the broken lines form a part of the claimed design. The upper portion of the electronic device is transparent or translucent.

**1 Claim, 6 Drawing Sheets**

(58) **Field of Classification Search**

CPC .... G08B 13/126; G08B 13/128; G08B 13/14;  
G08B 13/1427; G08B 13/1409; G08B  
13/1436; G08B 13/1445; G08B 13/1463;  
G08B 13/1472; G08B 13/1481; G08B

13/149; G08B 13/2428; G08B 13/2434;  
G08B 13/2437; G08B 21/24; G09F 3/18;  
G09F 3/185; G09F 3/20; G09F 3/201;  
G09F 3/202; G09F 3/203; G09F 3/204;  
G09F 3/205; G09F 3/206; G09F 3/207;  
G09F 3/208

See application file for complete search history.

(56)

**References Cited**

U.S. PATENT DOCUMENTS

D743,819	S	*	11/2015	Golnik	.....	D10/70
9,392,404	B2	*	7/2016	Daoura	.....	G06Q 10/10
D790,372	S	*	6/2017	Daoura	.....	D10/70
D817,793	S	*	5/2018	Vu	.....	D10/70
D818,385	S	*	5/2018	Barovic	.....	D10/106.9

\* cited by examiner

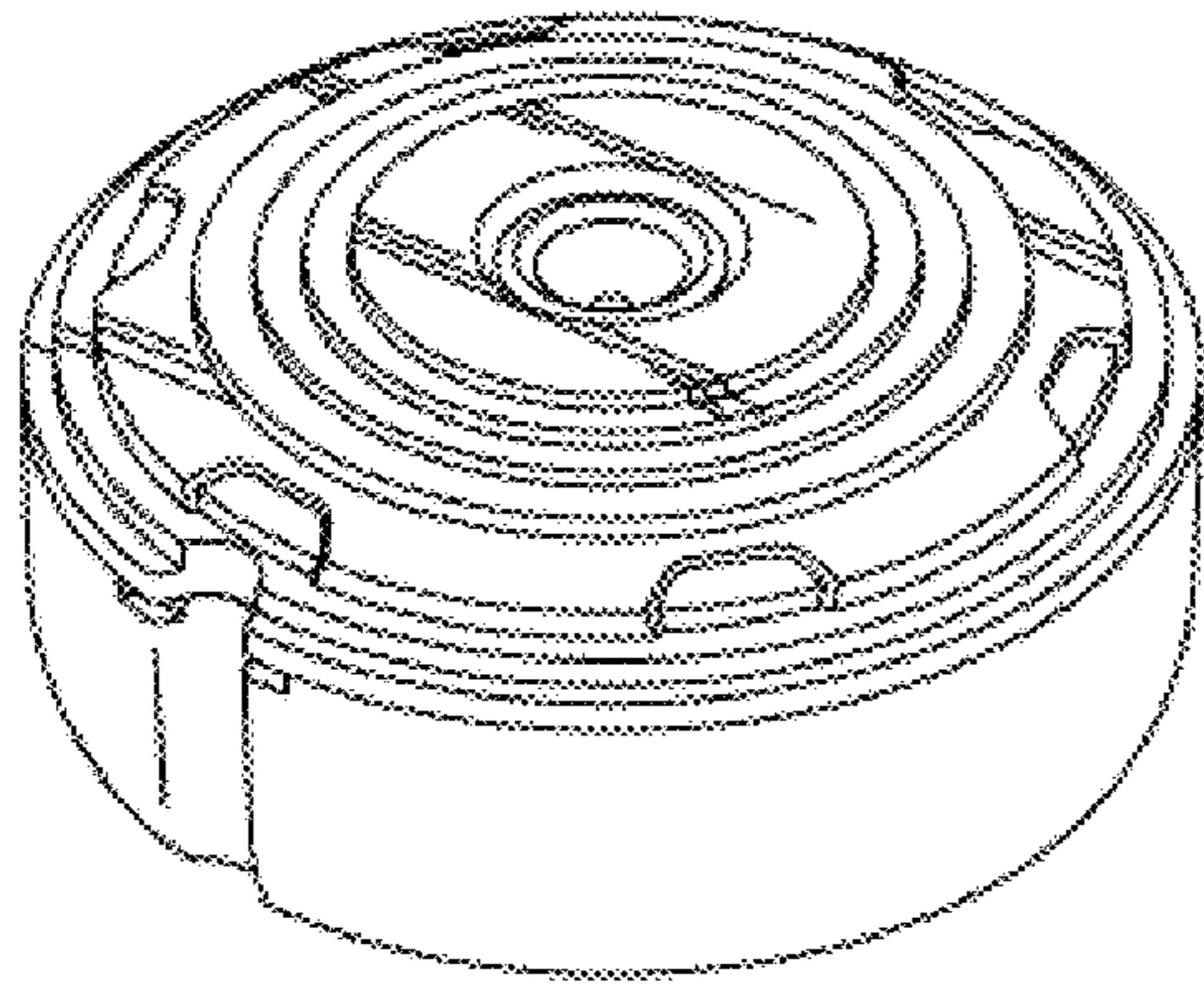


FIG. 1

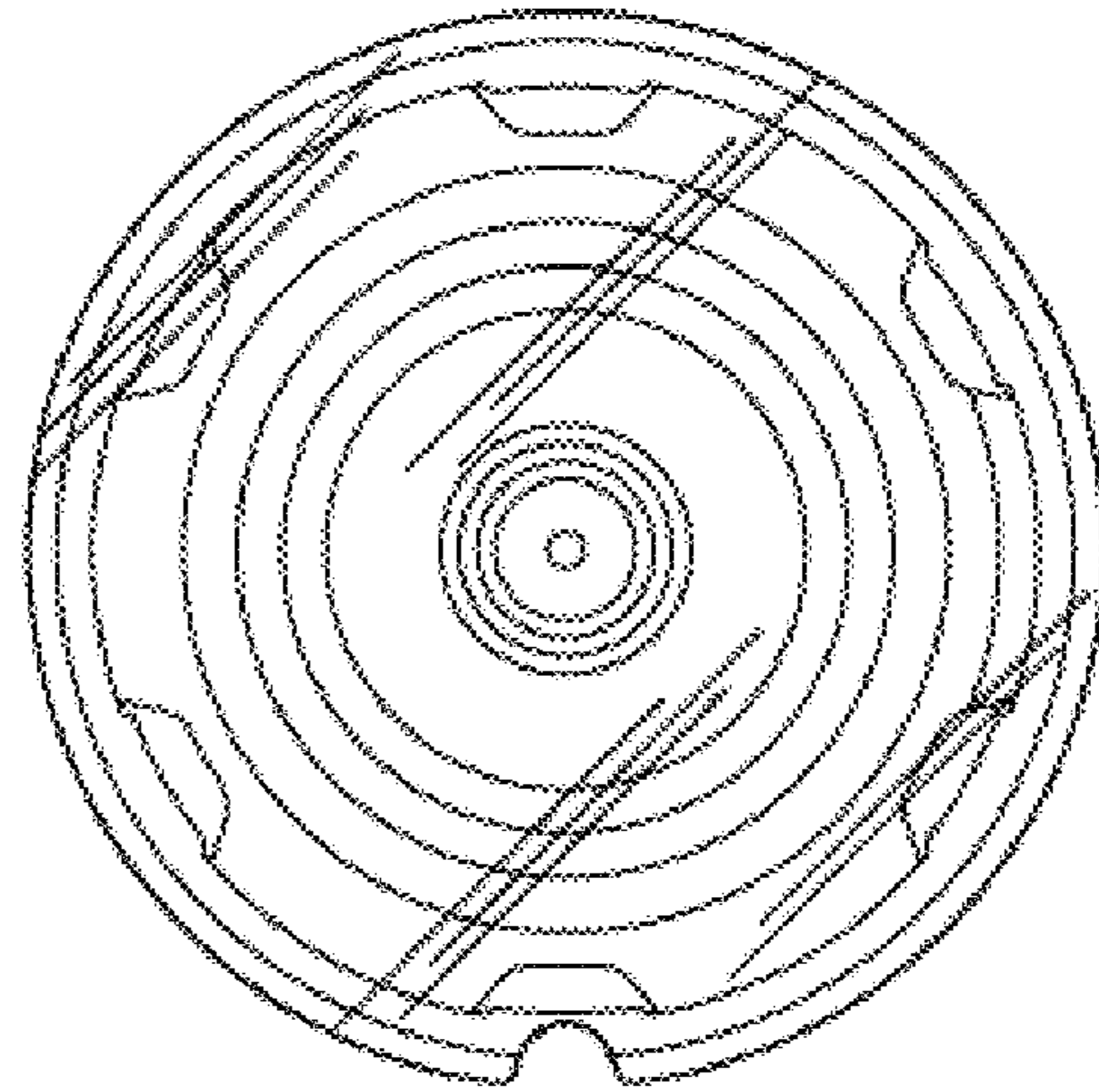


FIG. 2

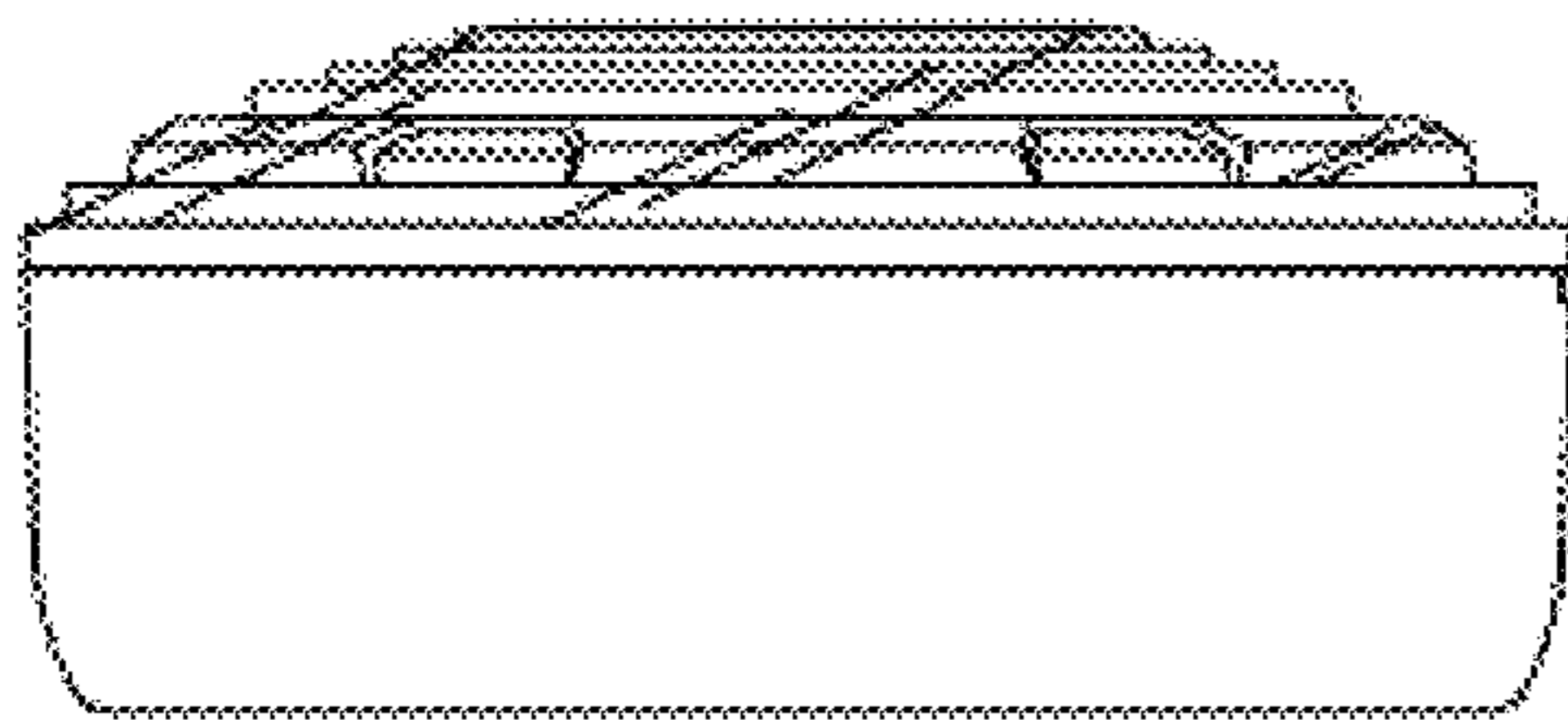


FIG. 3

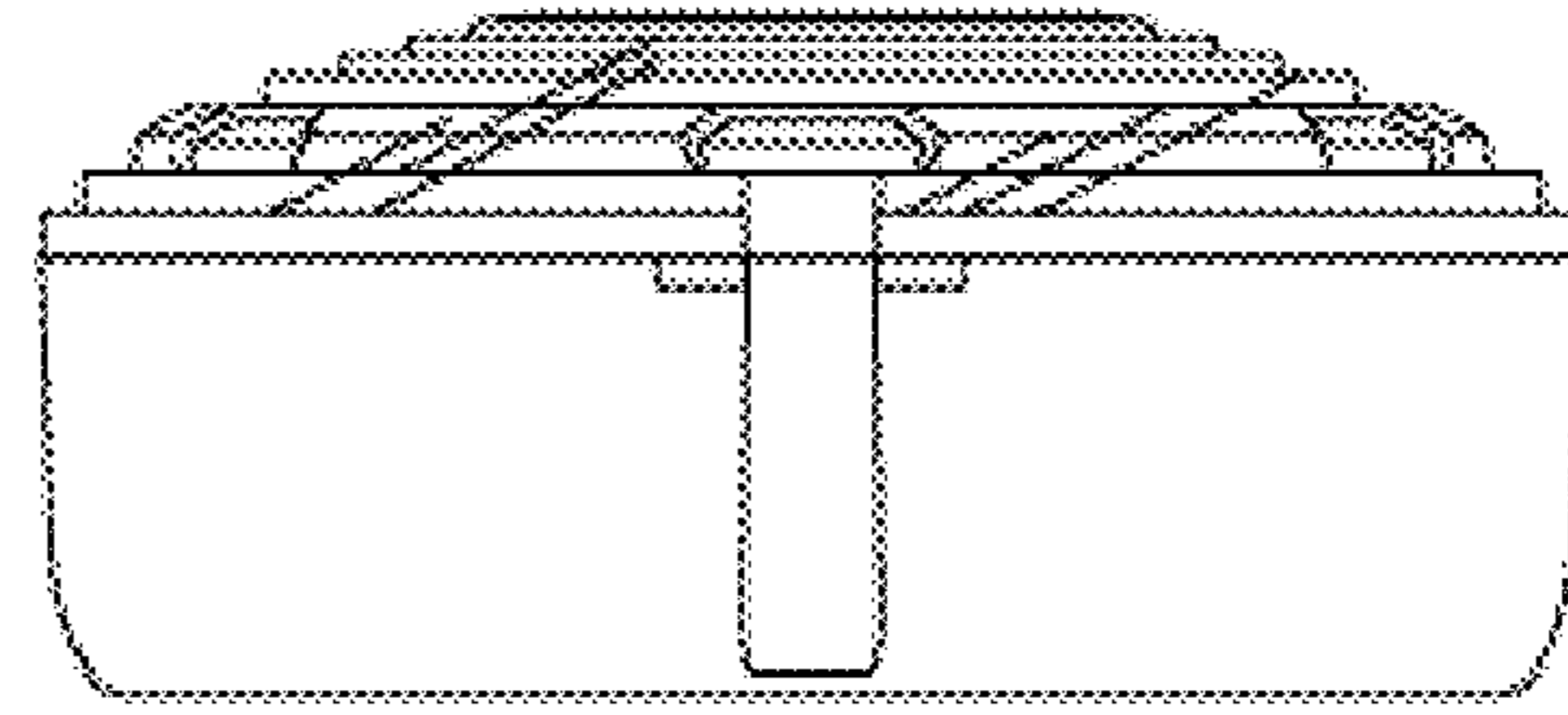


FIG. 4

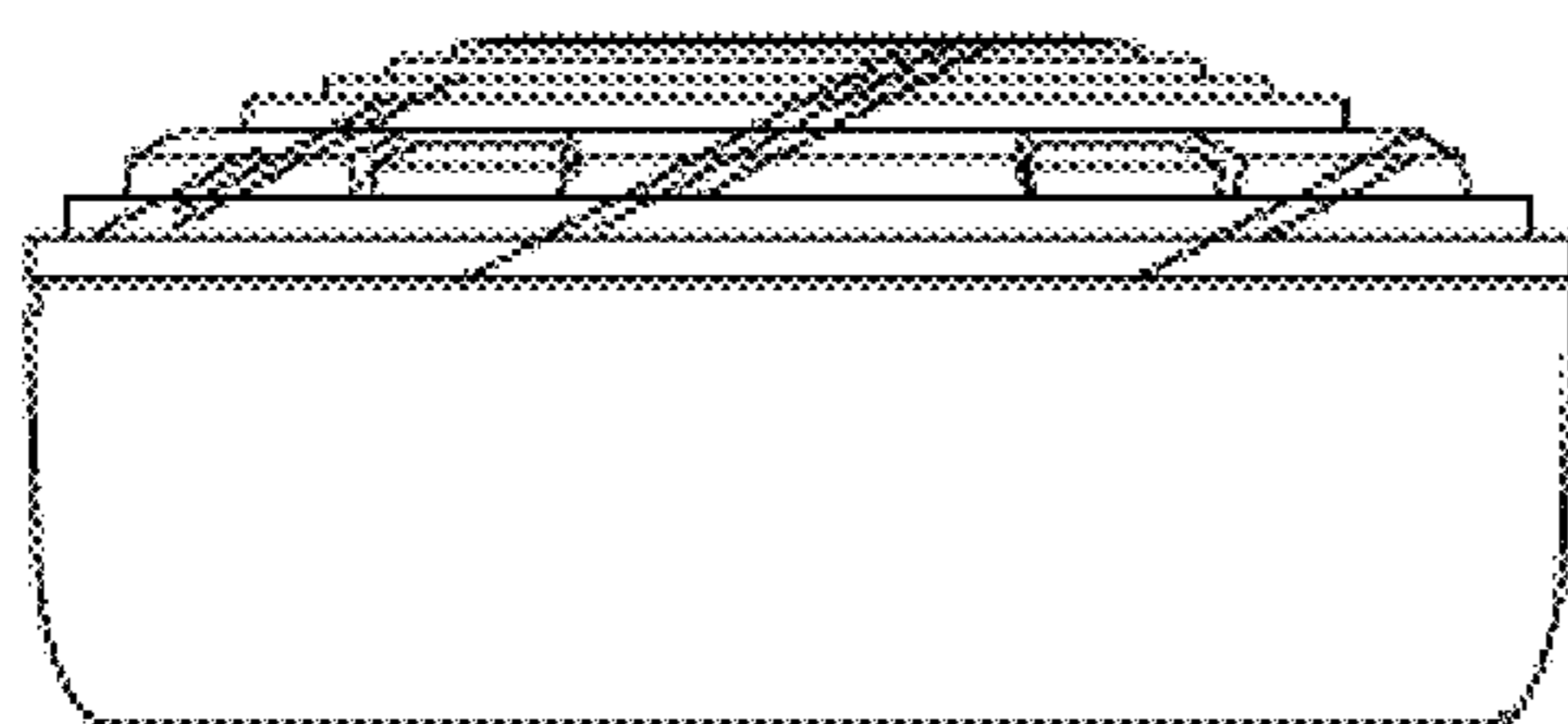


FIG. 5

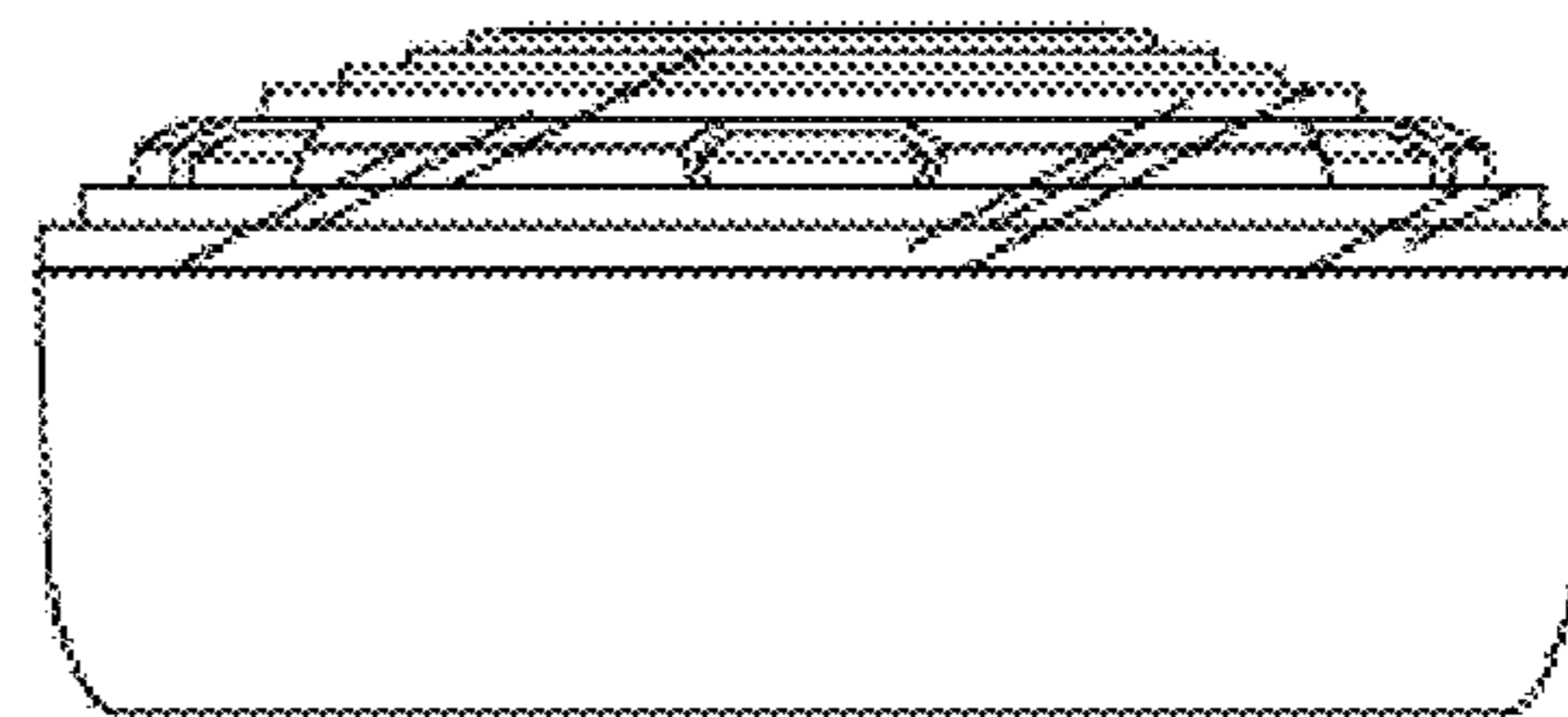


FIG. 6

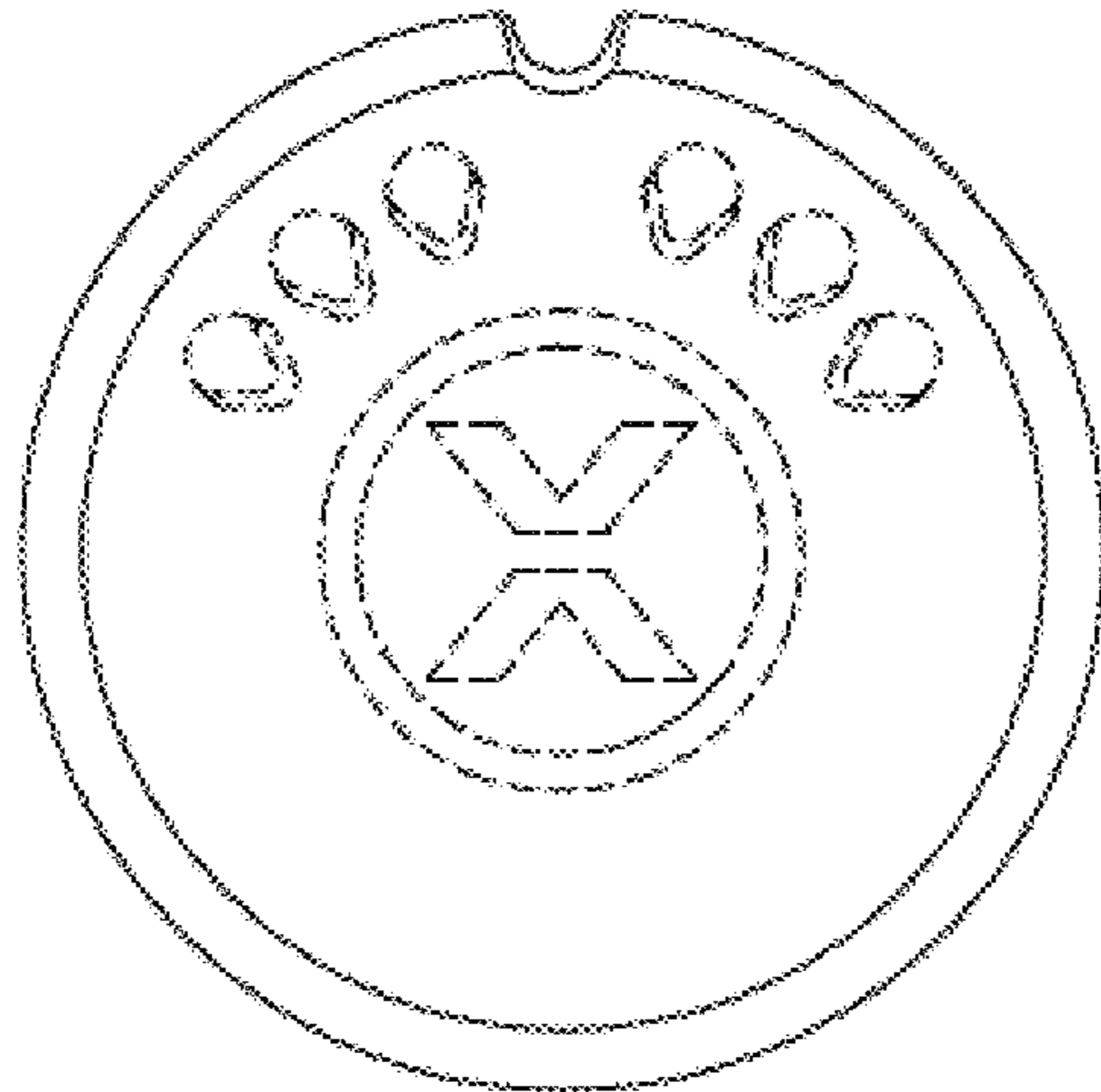


FIG. 7

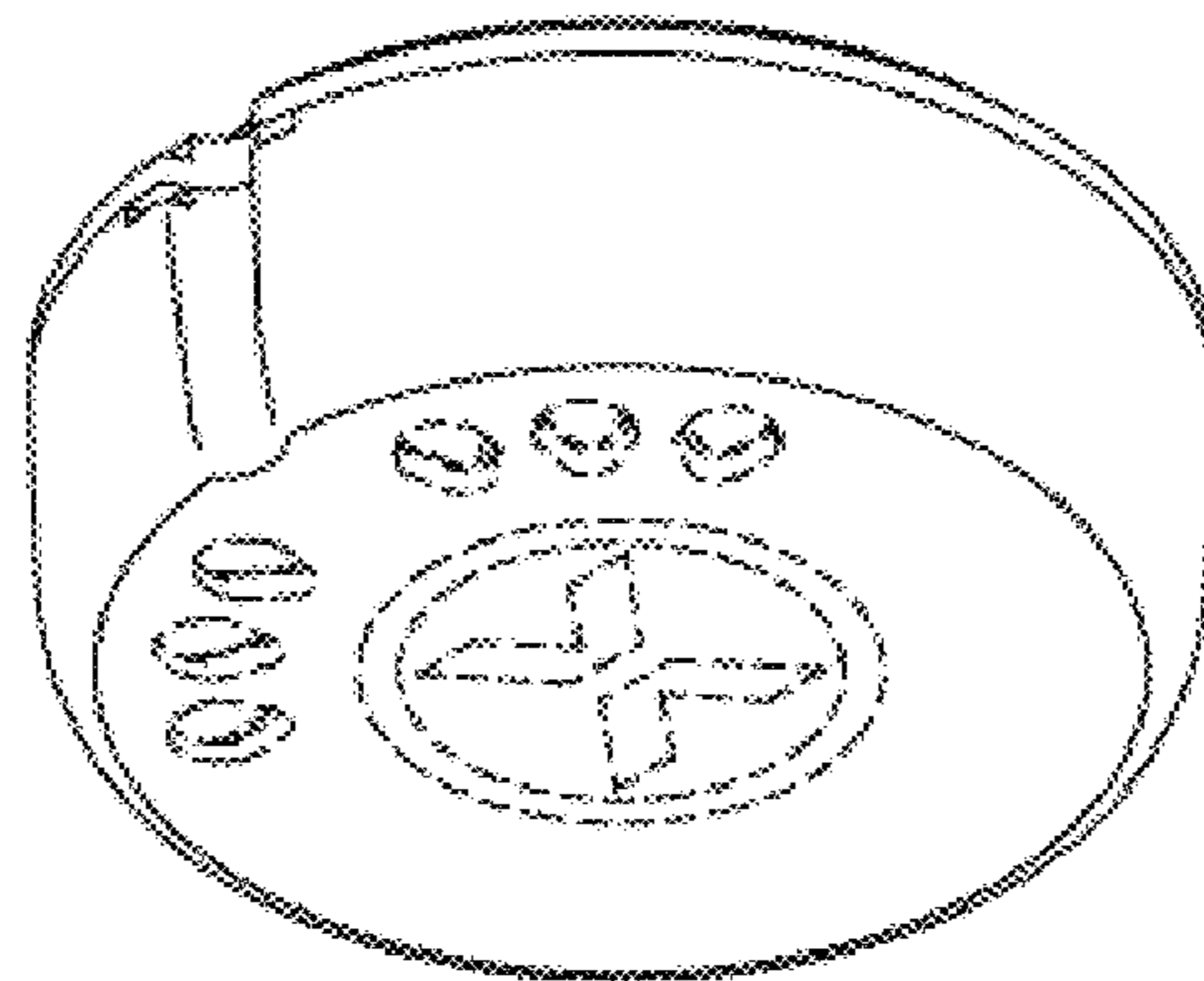


FIG. 8

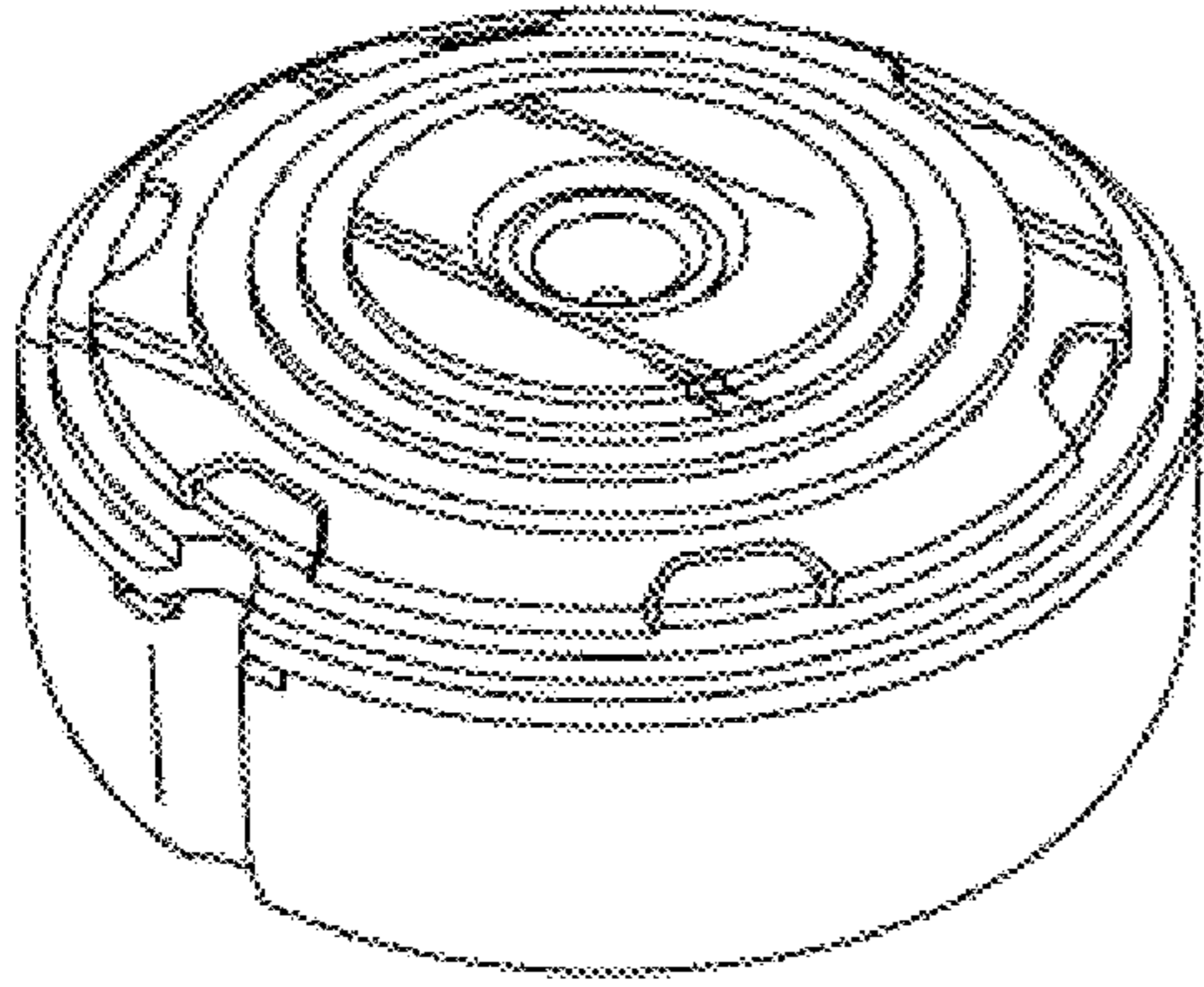


FIG. 9

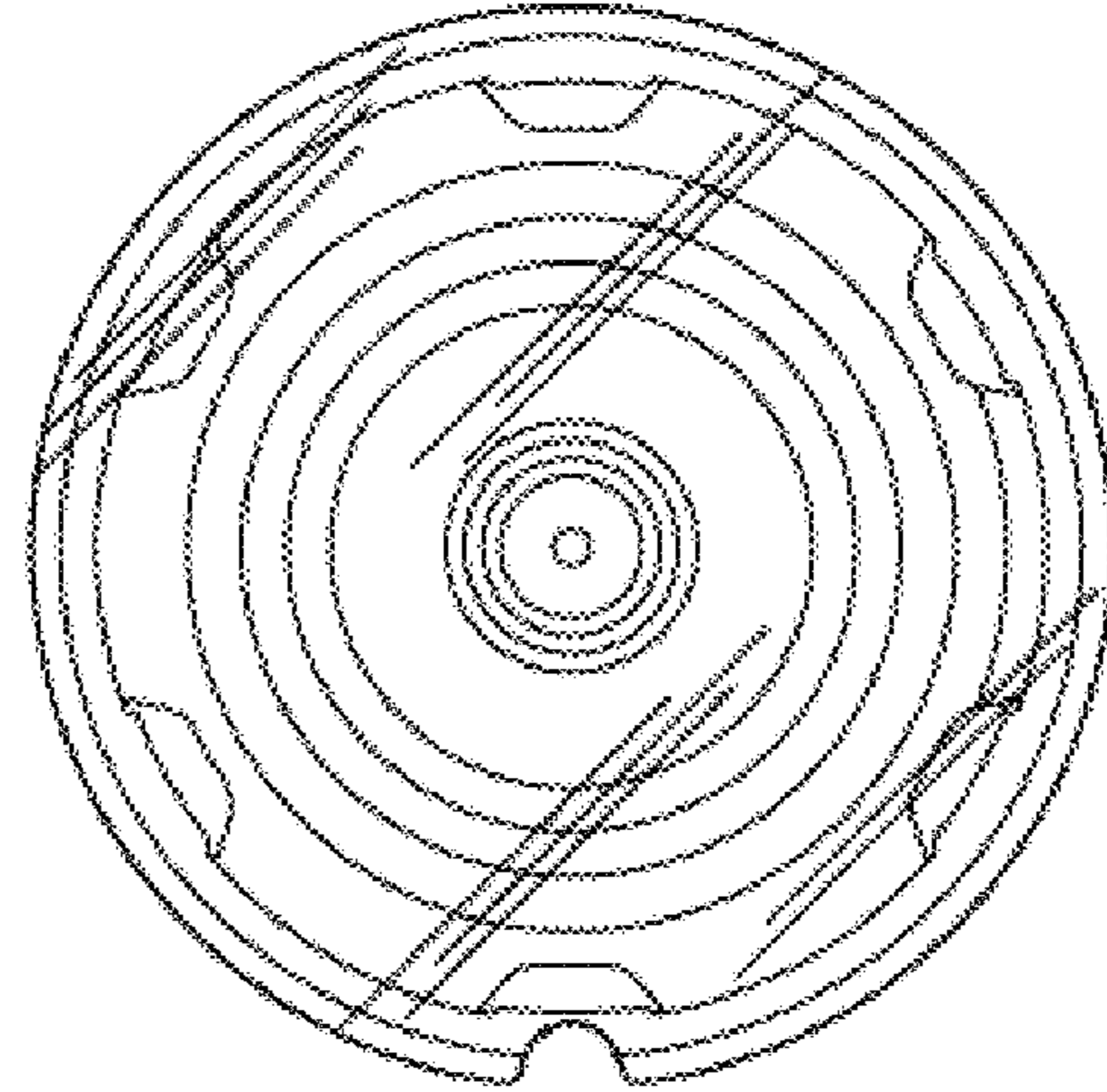


FIG. 10

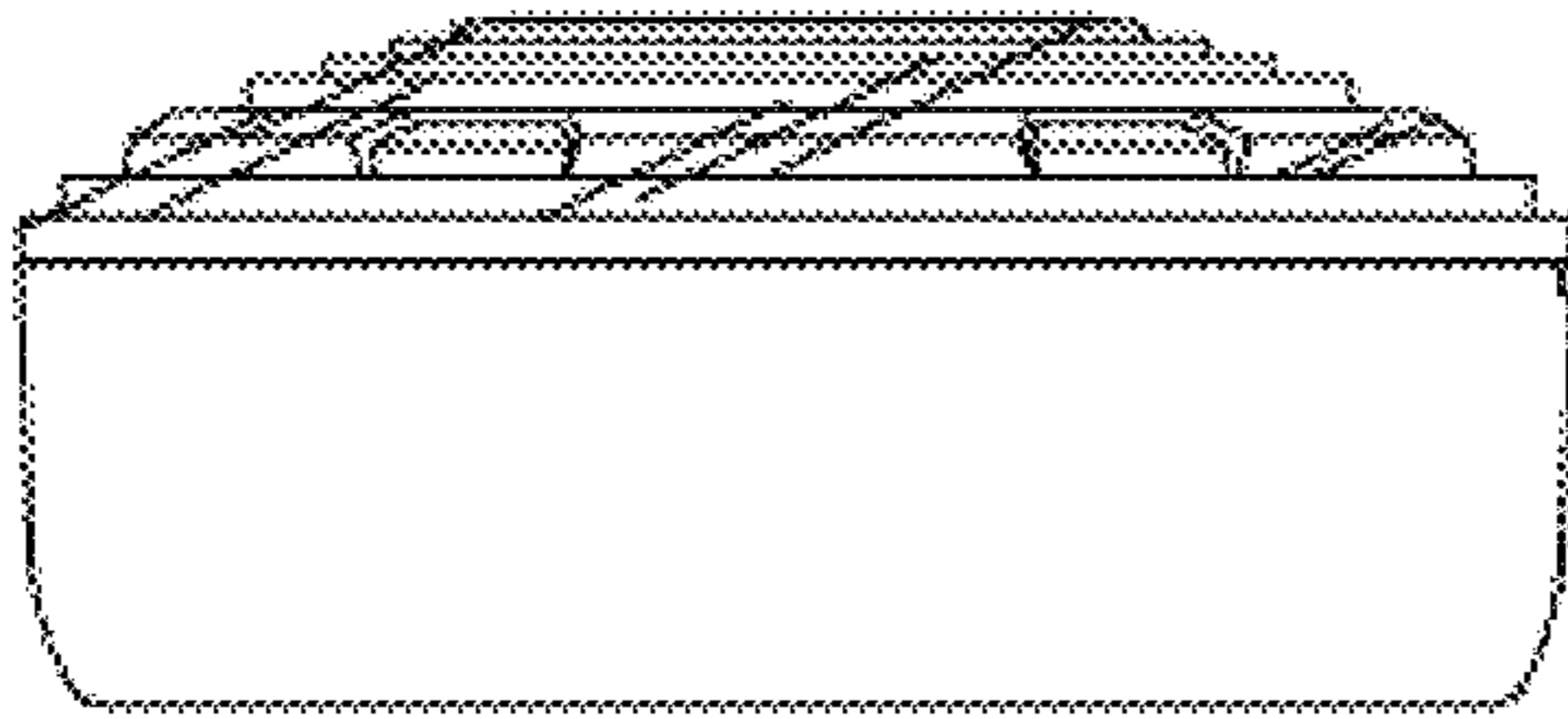


FIG. 11

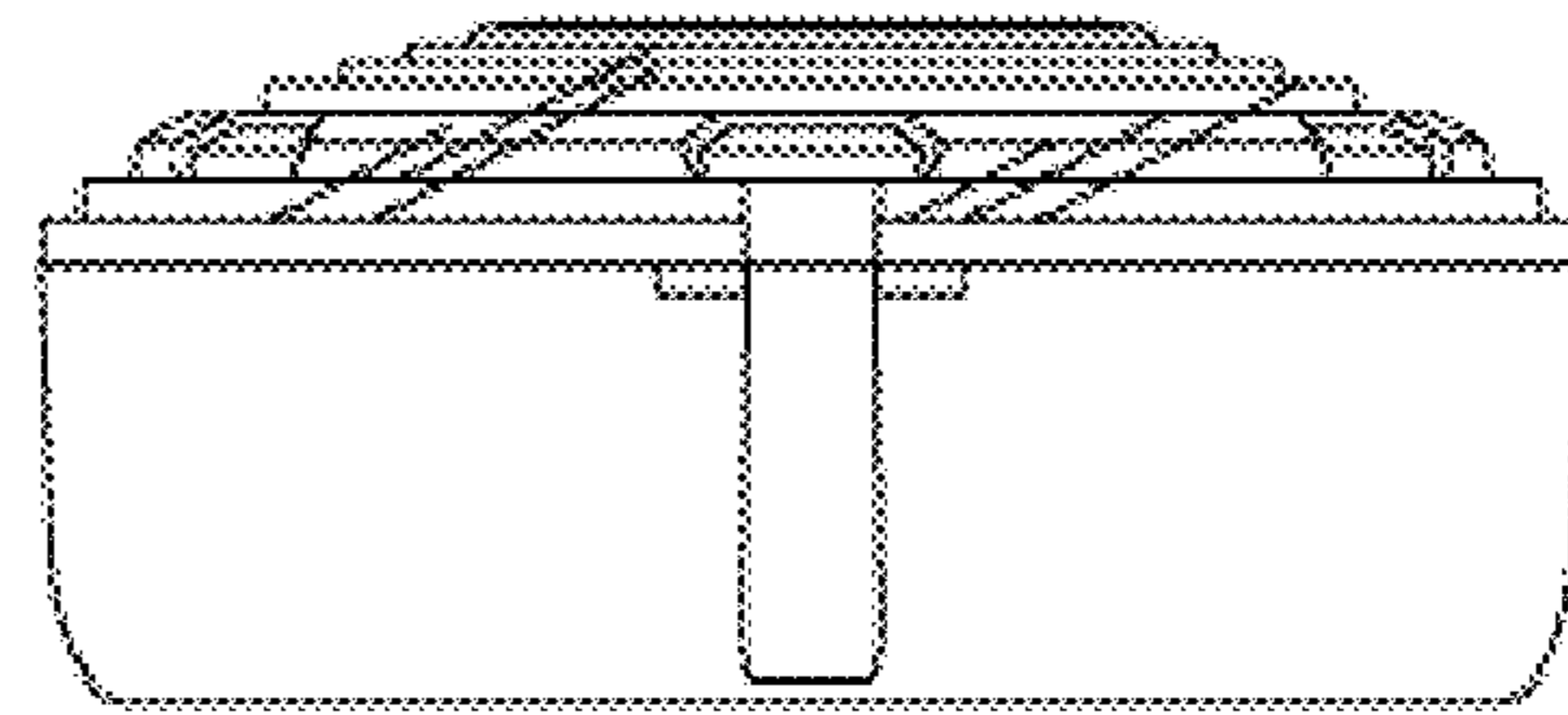


FIG. 12

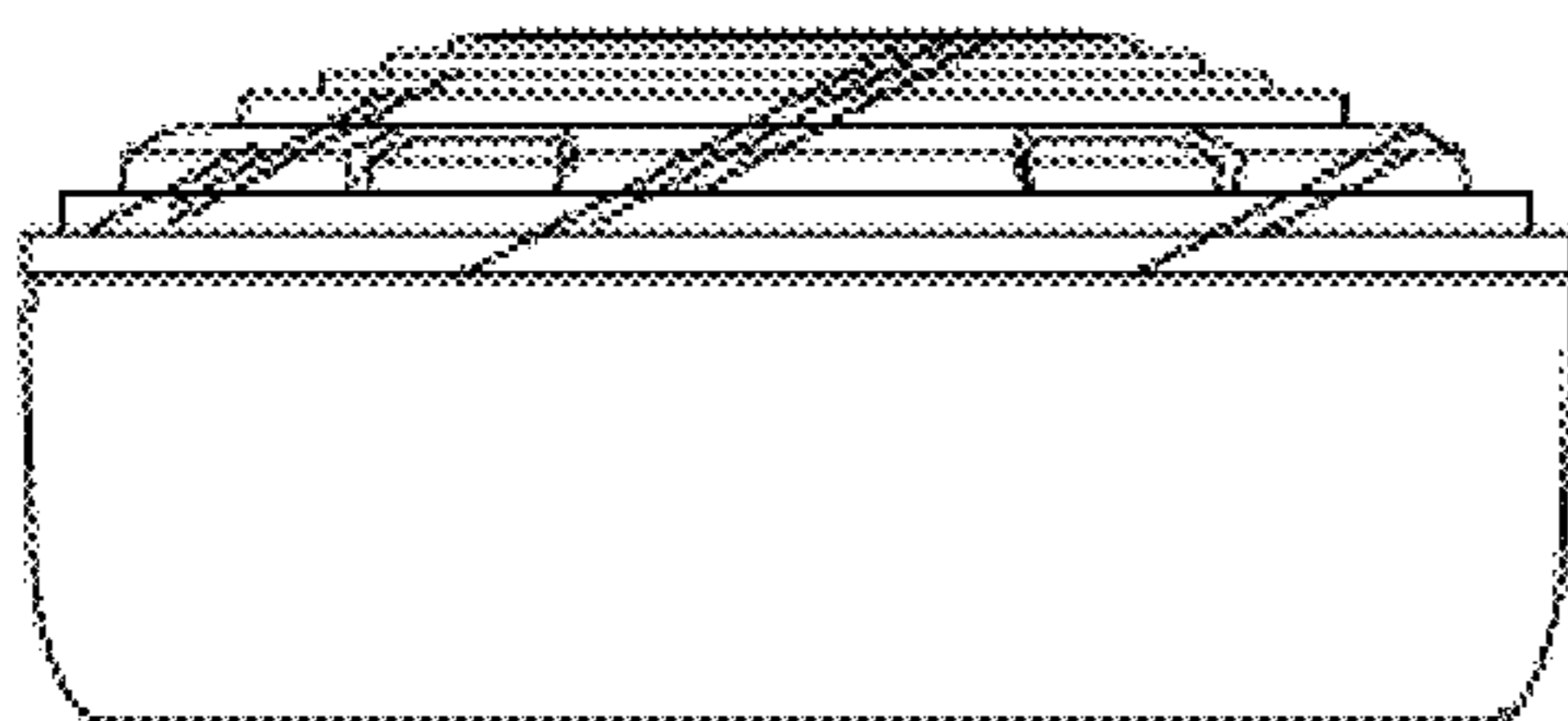


FIG. 13

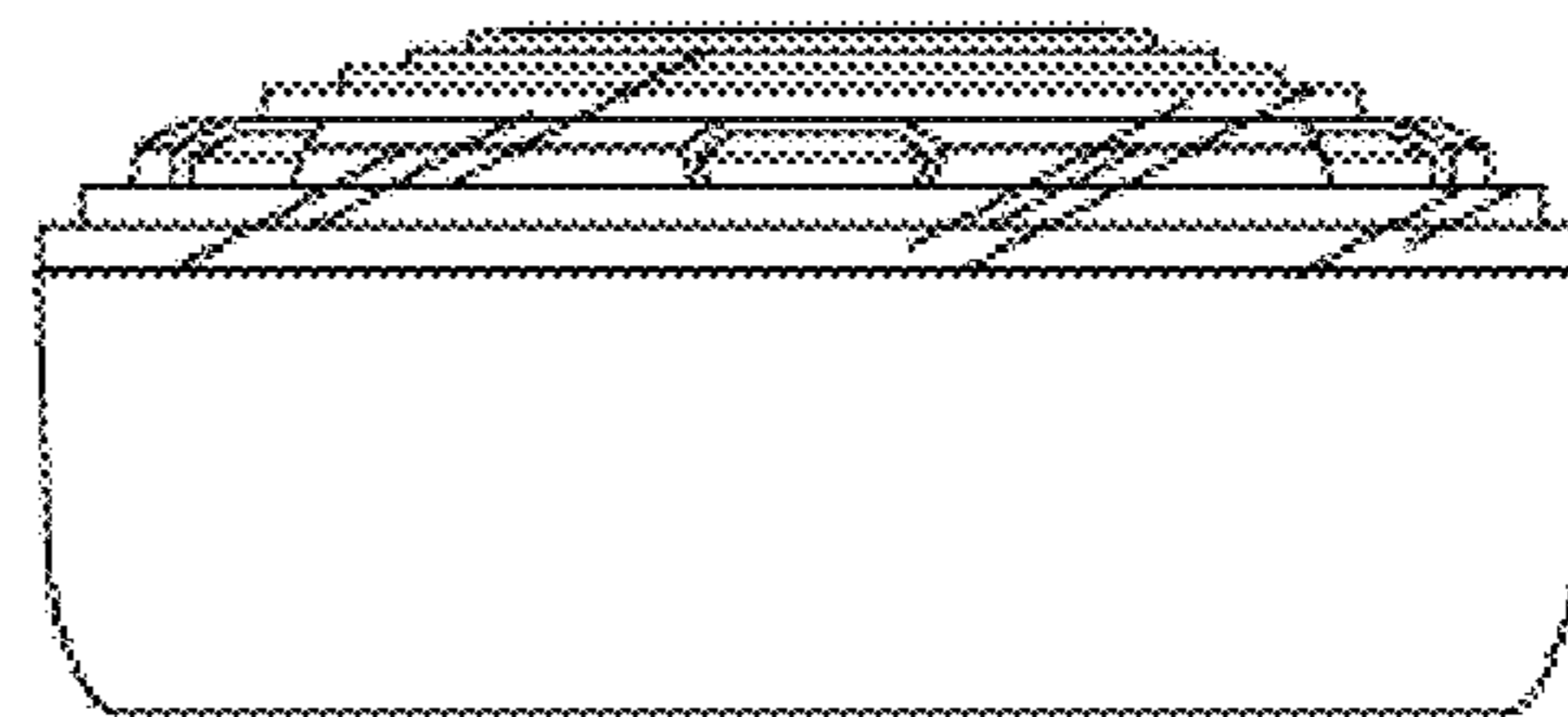


FIG. 14

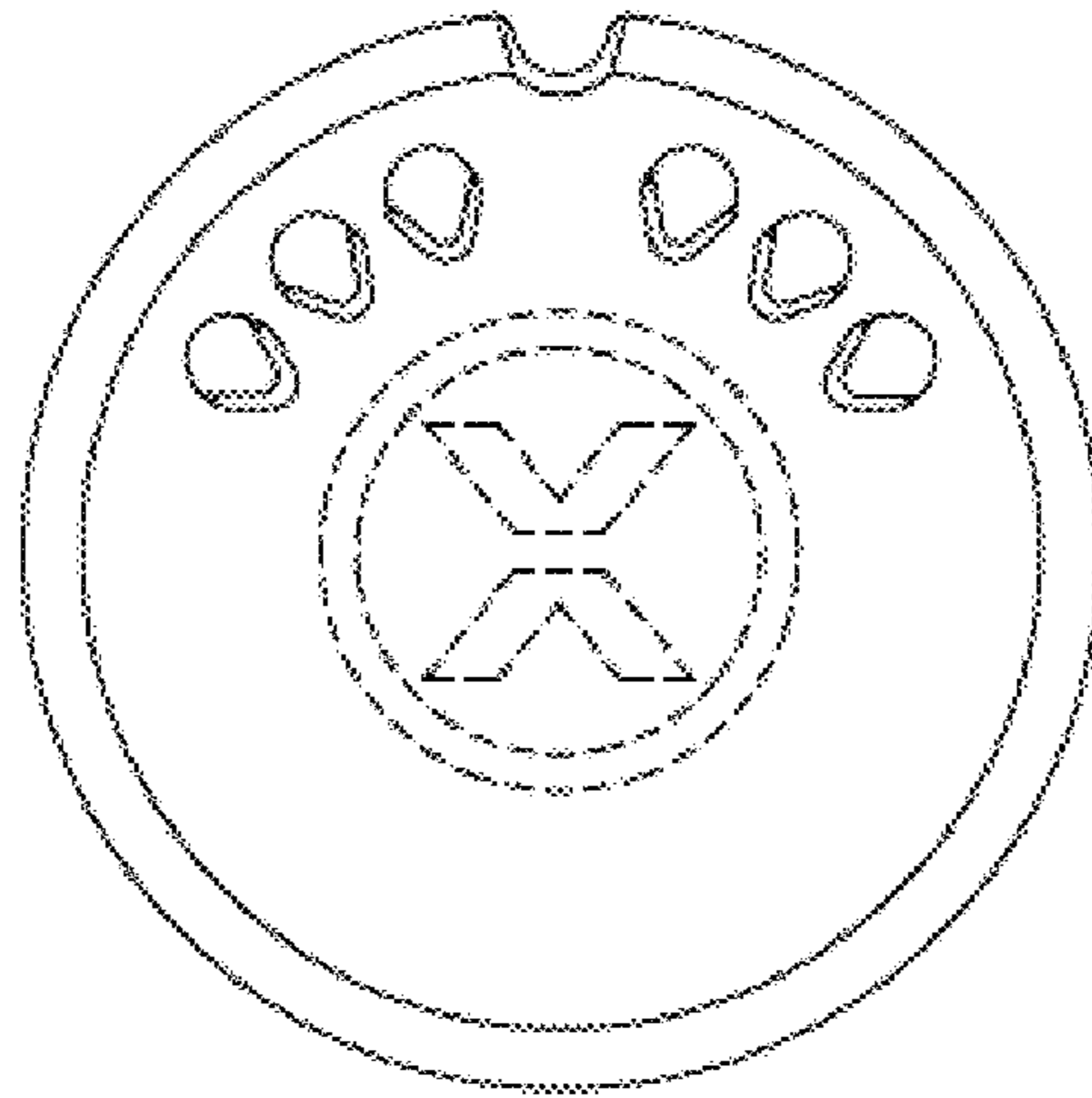


FIG. 15

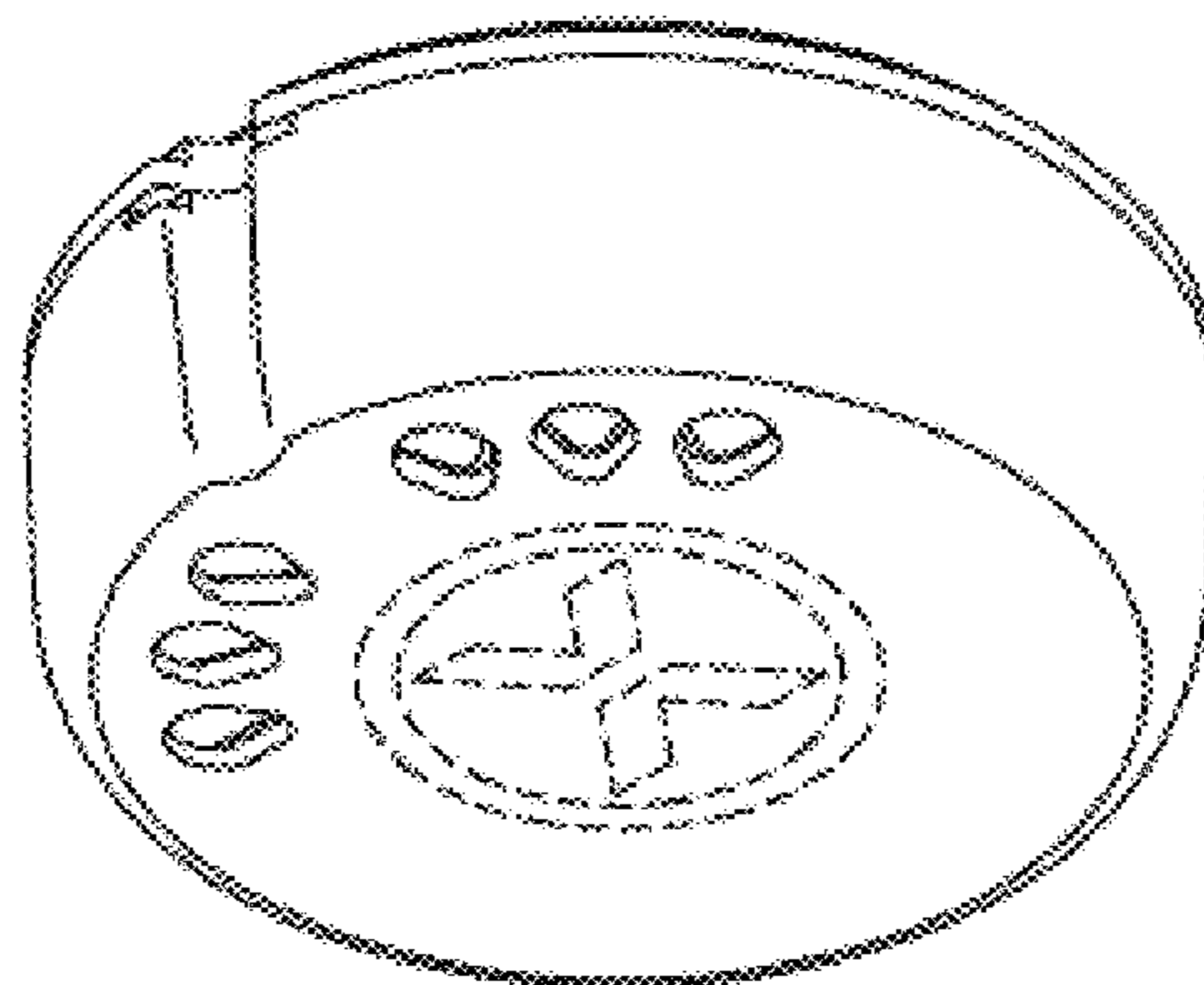


FIG. 16

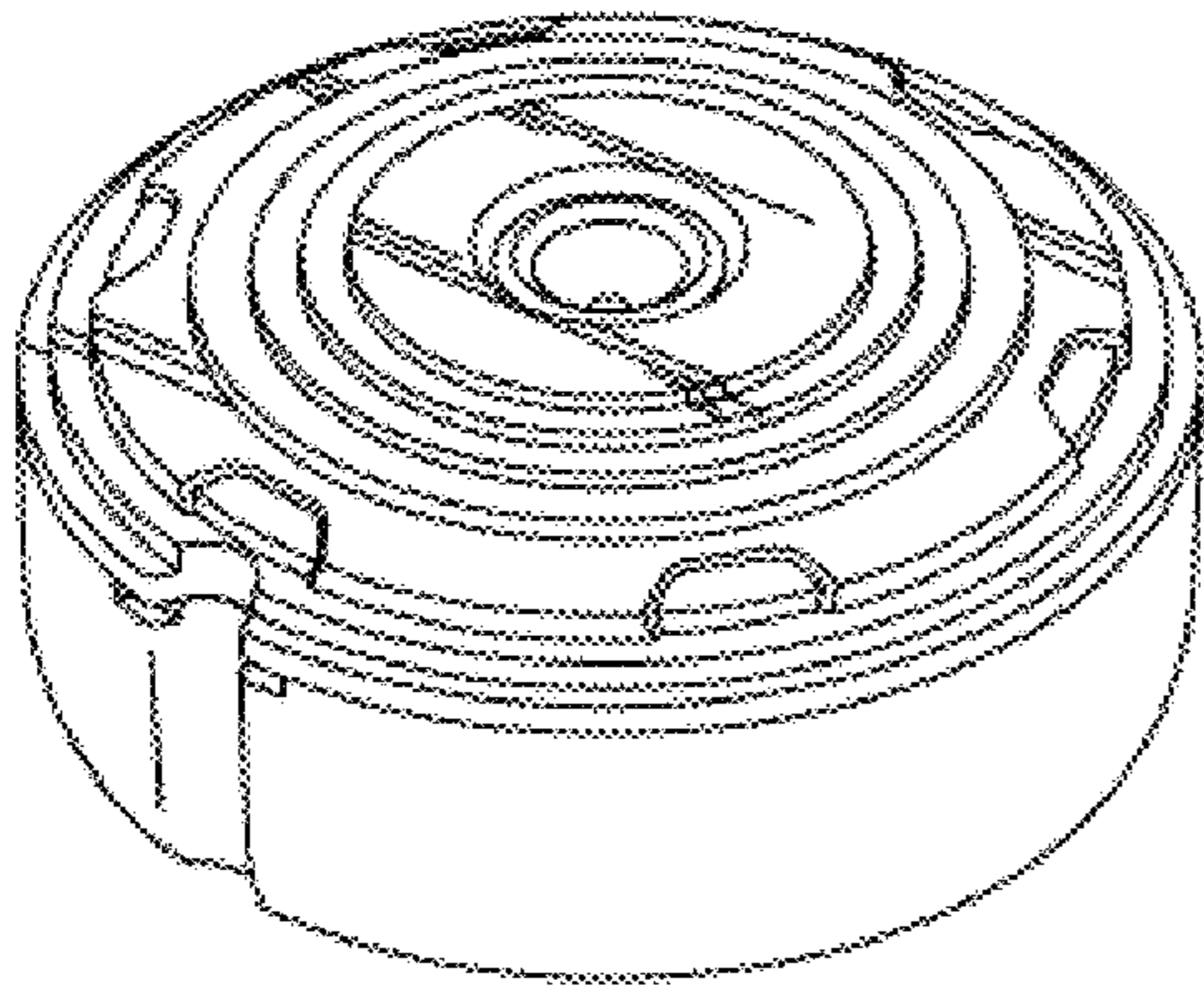


FIG. 17

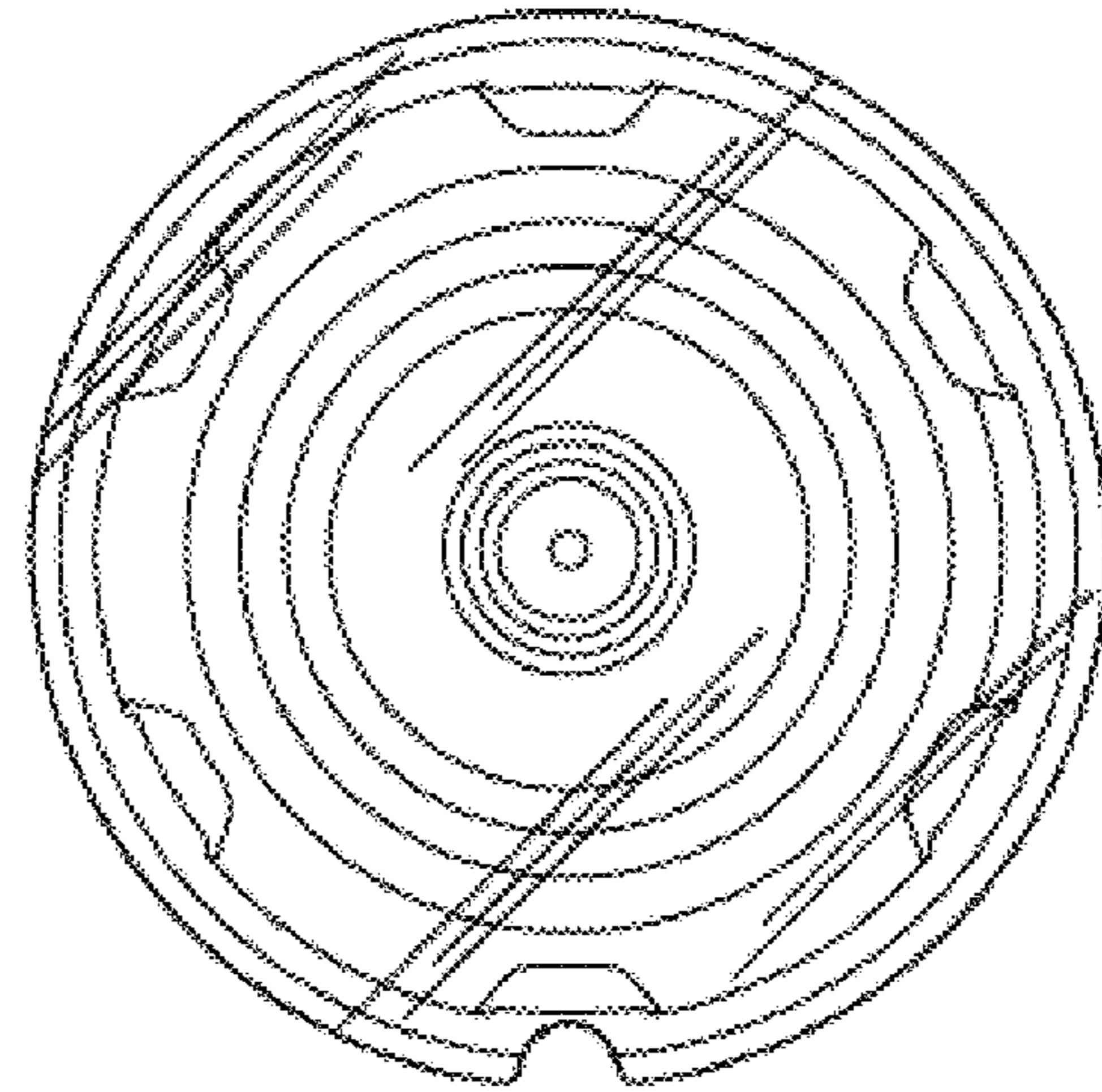


FIG. 18

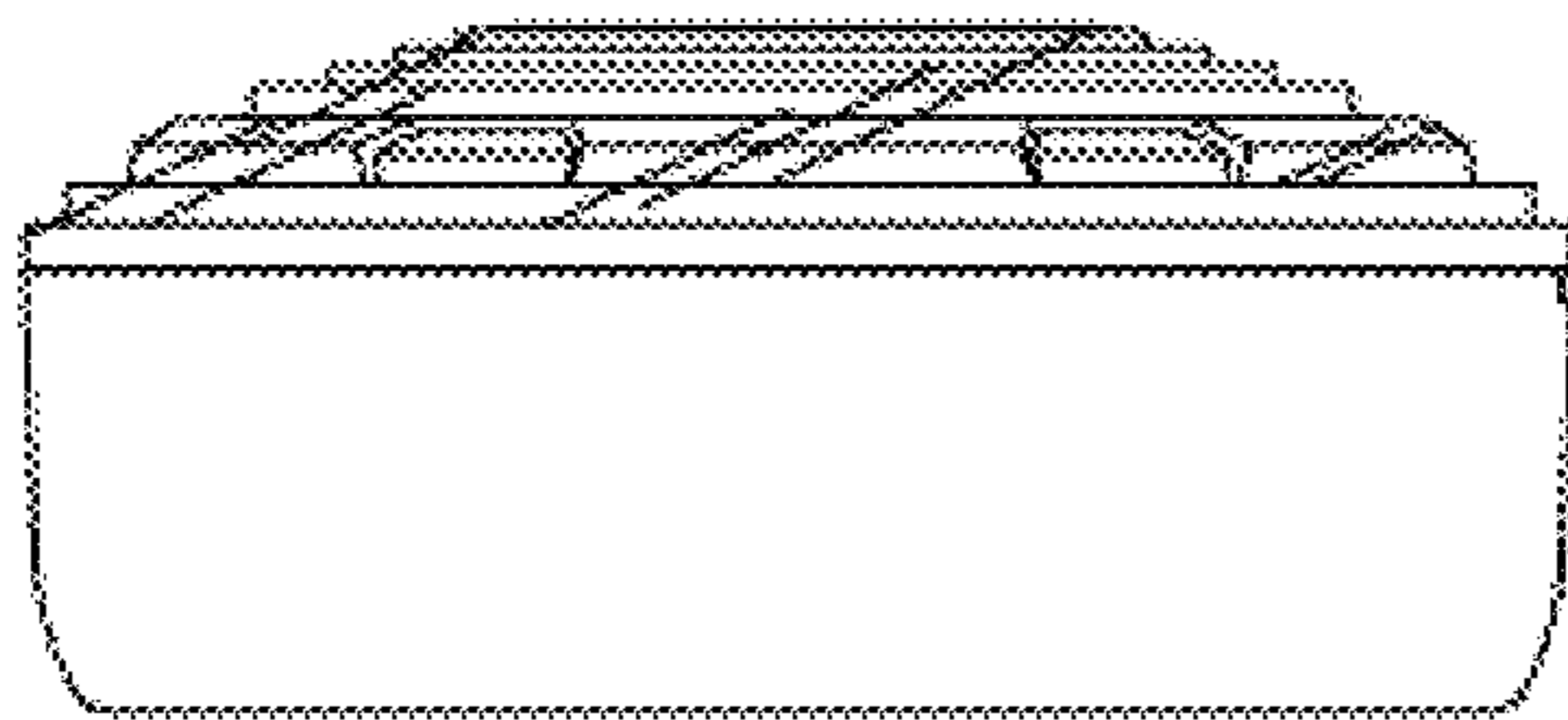


FIG. 19

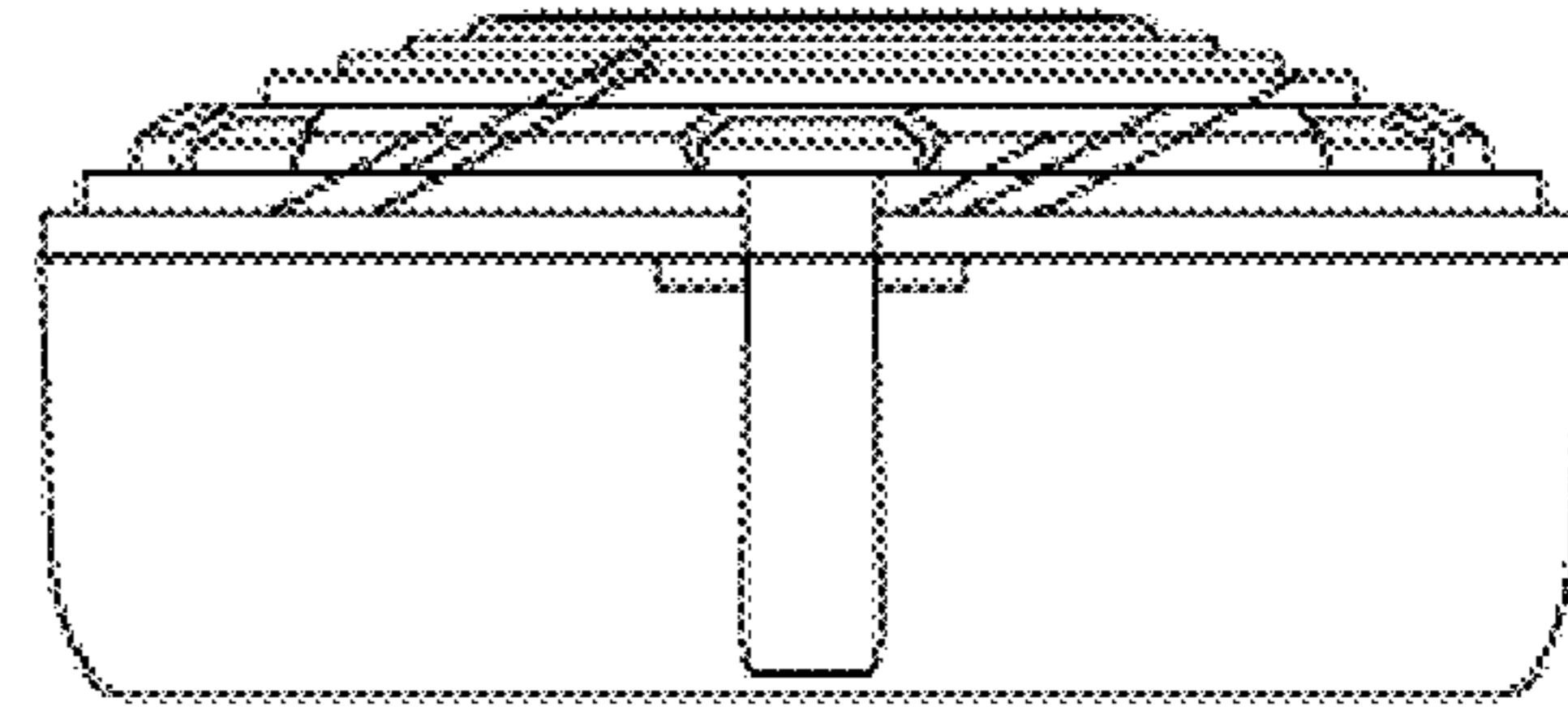


FIG. 20

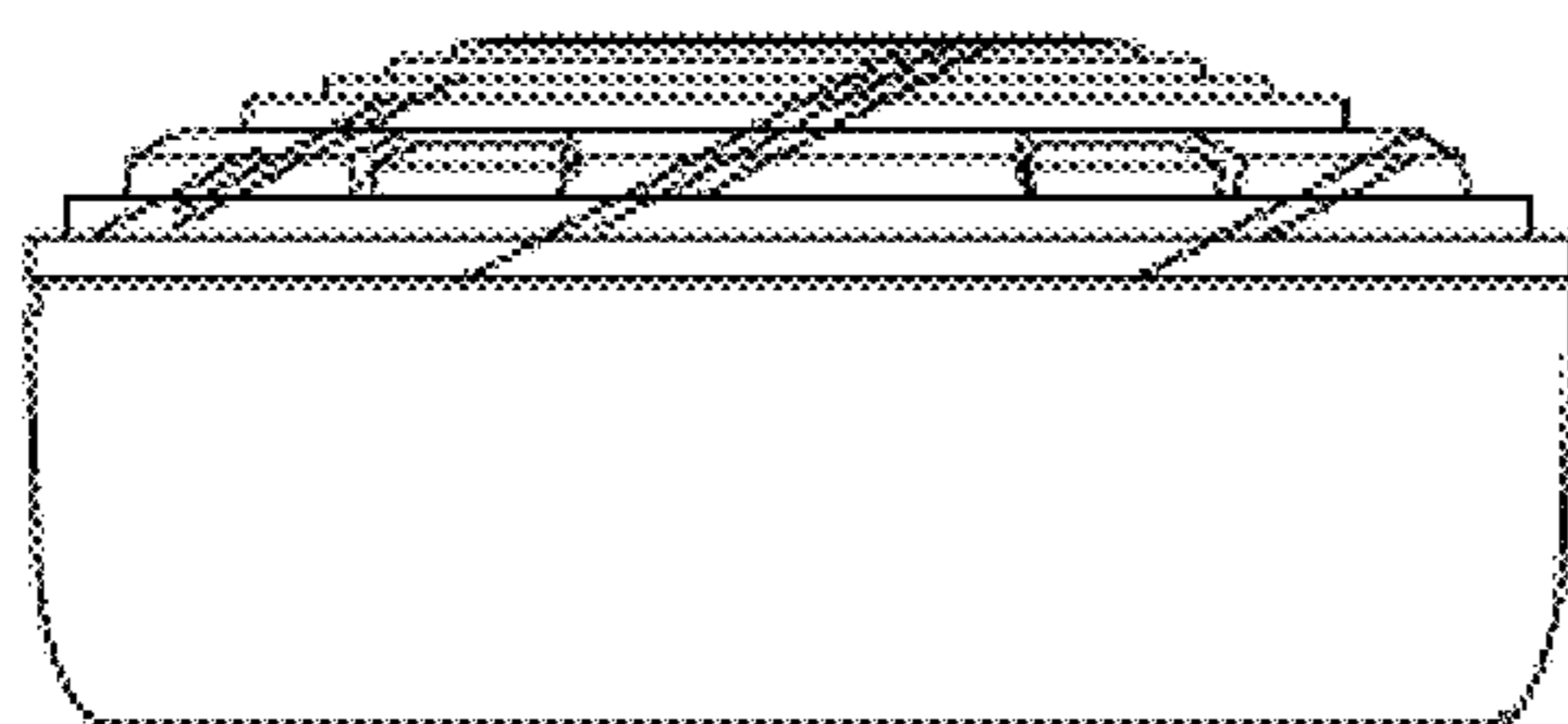


FIG. 21

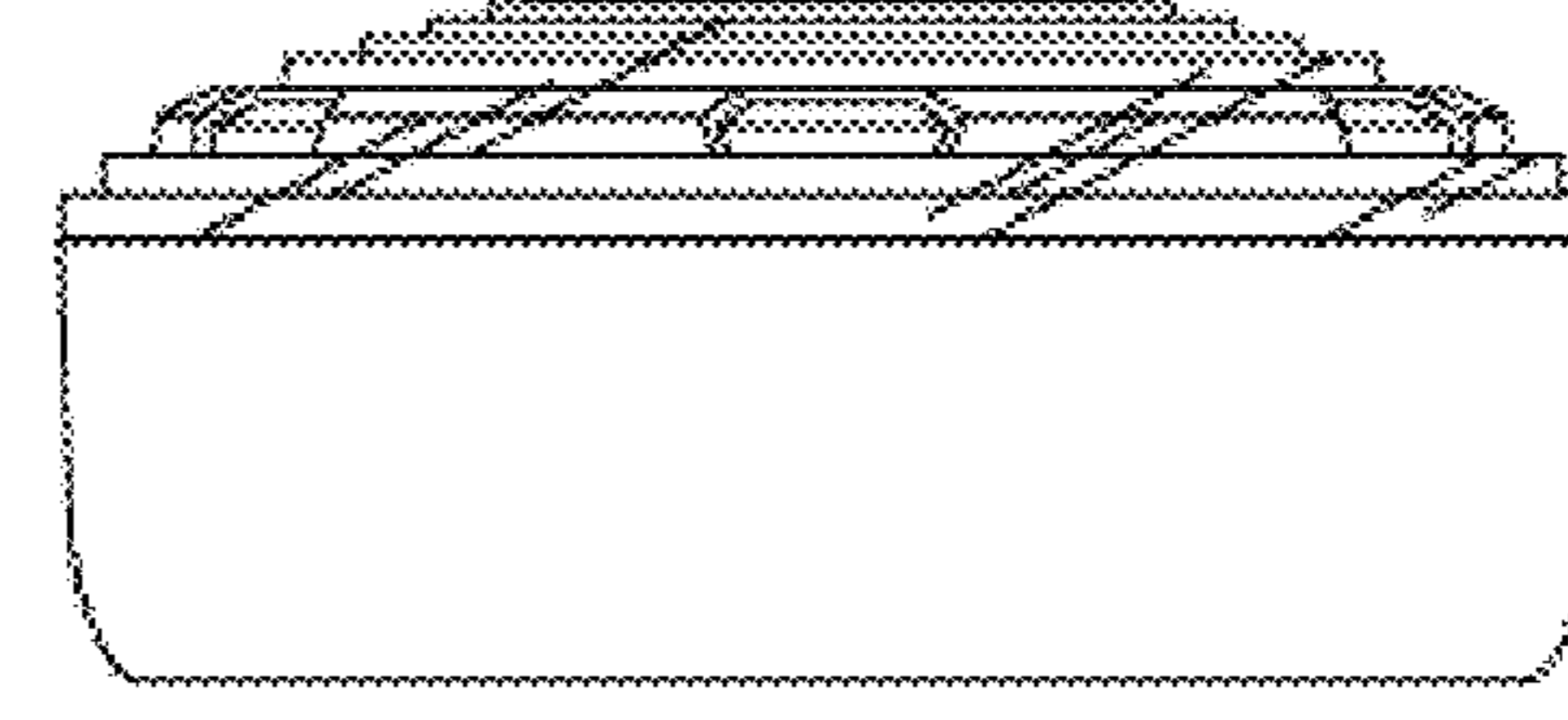


FIG. 22

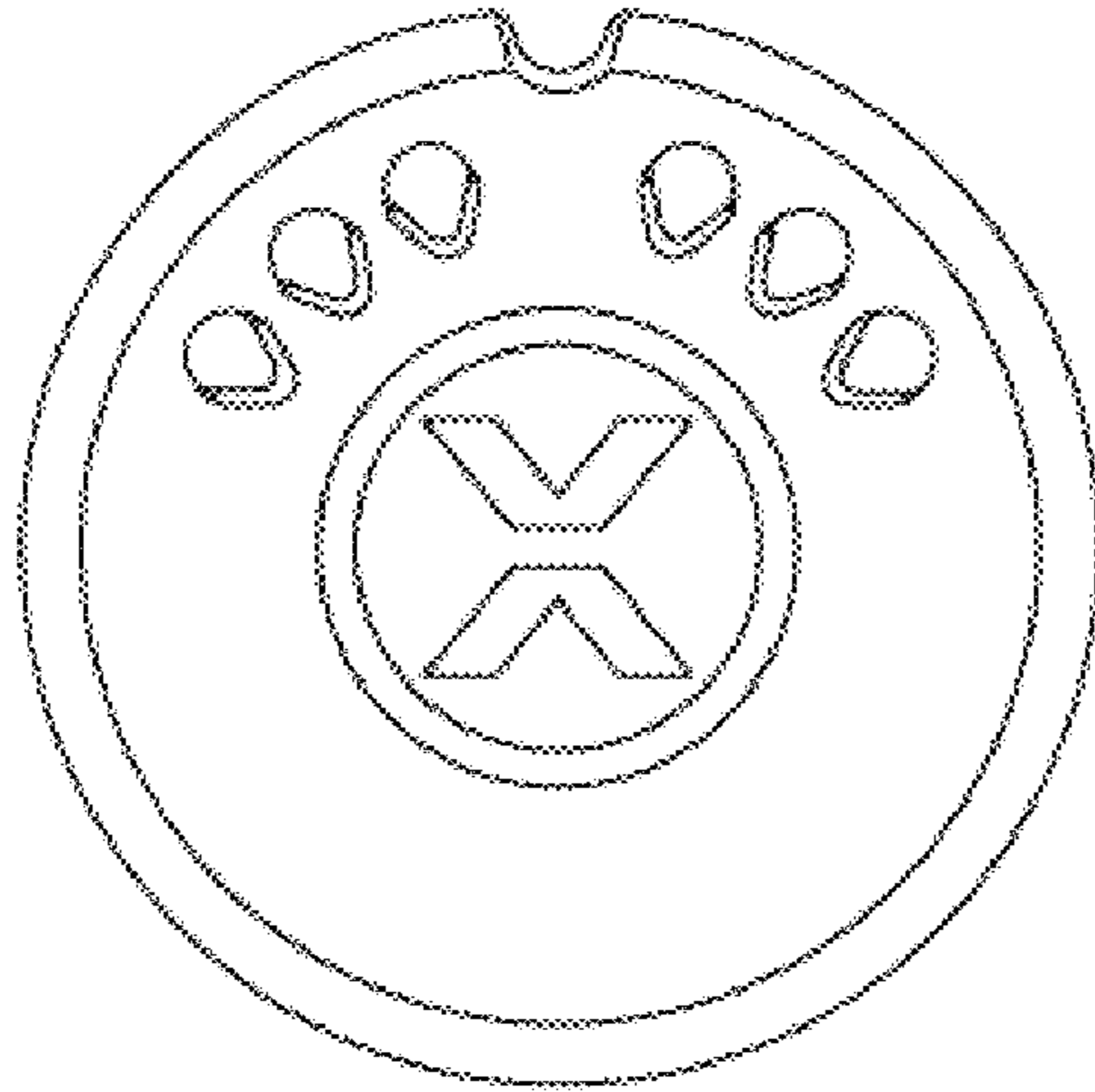


FIG. 23

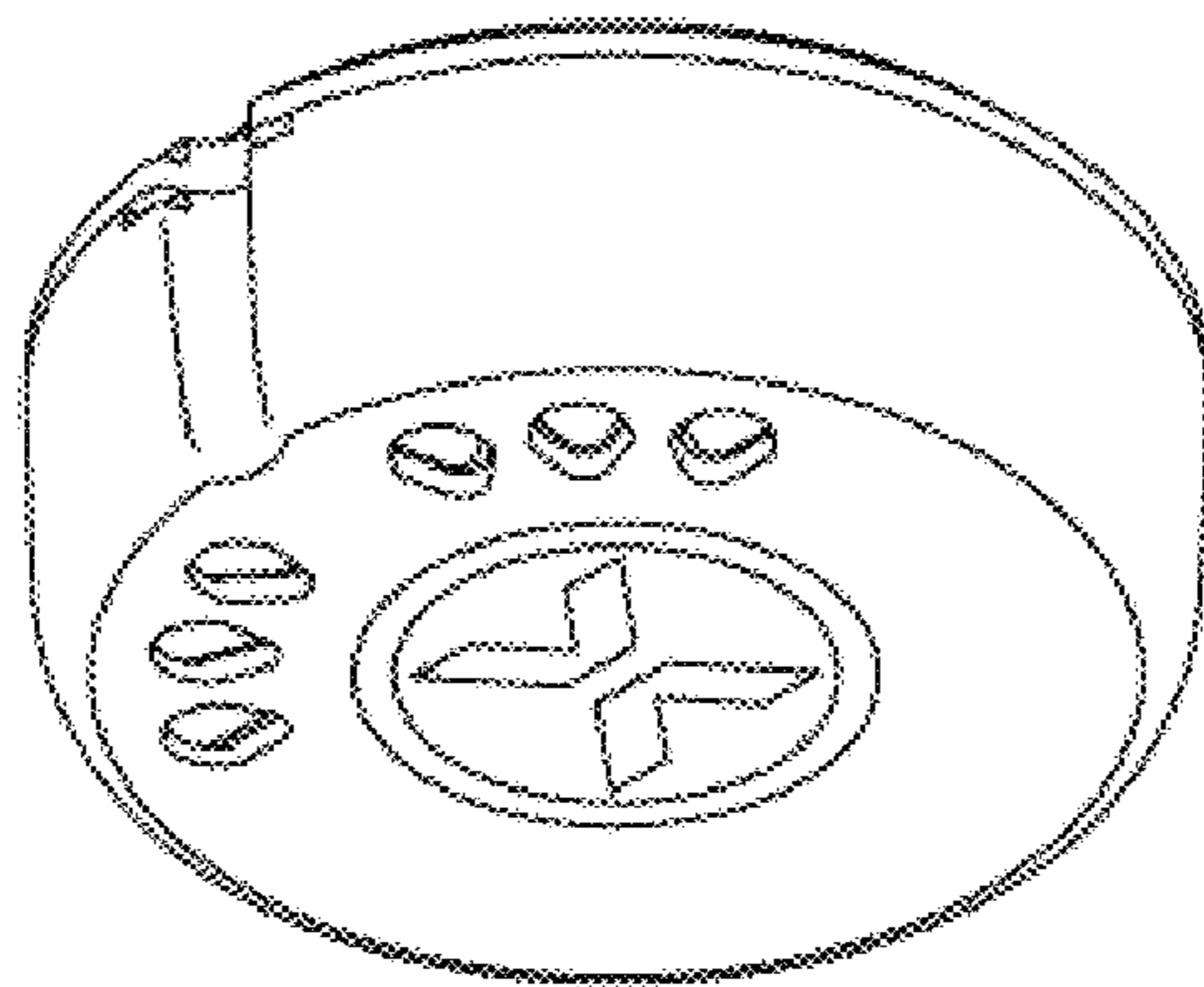


FIG. 24