



US00D922230S

(12) **United States Design Patent**
Lan

(10) **Patent No.:** **US D922,230 S**

(45) **Date of Patent:** **** Jun. 15, 2021**

(54) **DETECTOR**

60/52; H04H 60/53; H04H 60/54; H04H
60/56; H04H 60/58; H04H 60/59; H04H
60/60

(71) Applicant: **Jinhe Lan**, Guangdong (CN)

See application file for complete search history.

(72) Inventor: **Jinhe Lan**, Guangdong (CN)

(**) Term: **15 Years**

(56) **References Cited**

(21) Appl. No.: **29/694,434**

U.S. PATENT DOCUMENTS

(22) Filed: **Jun. 11, 2019**

(51) **LOC (13) Cl.** **10-05**

(52) **U.S. Cl.**

USPC **D10/104.1**; D10/78

(58) **Field of Classification Search**

USPC D10/78, 70, 104.1, 106.1

CPC G08B 29/00; G08B 29/02; G08B 29/04;

G08B 29/043; G08B 29/046; G08B

29/06; G08B 29/08; G08B 29/10; G08B

29/12; G08B 29/123; G08B 29/126;

G08B 29/14; G08B 29/145; G08B 29/16;

G08B 29/18; G08B 29/181; G08B

29/183; G08B 29/185; G08B 29/186;

G08B 29/188; G08B 29/20; G08B 29/22;

G08B 29/24; G08B 29/26; G08B 29/28;

H04H 60/29; H04H 60/31; H04H 60/32;

H04H 60/33; H04H 60/35; H04H 60/37;

H04H 60/372; H04H 60/375; H04H

60/377; H04H 60/38; H04H 60/39; H04H

60/40; H04H 60/41; H04H 60/42; H04H

60/43; H04H 60/44; H04H 60/45; H04H

60/46; H04H 60/47; H04H 60/48; H04H

60/49; H04H 60/50; H04H 60/51; H04H

5,382,970 A * 1/1995 Kiefl H04H 60/40
348/E7.072

D621,731 S * 8/2010 Goody D10/65

D777,050 S * 1/2017 Will D10/104.1

D915,233 S * 4/2021 Giessel D10/104.1

* cited by examiner

Primary Examiner — Antoine Duval Davis

(57) **CLAIM**

The ornamental design for a detector, as shown.

DESCRIPTION

FIG. 1 is a front elevational view of a detector showing my new design;

FIG. 2 is a rear elevational view thereof;

FIG. 3 is a left side view thereof;

FIG. 4 is a right side view thereof;

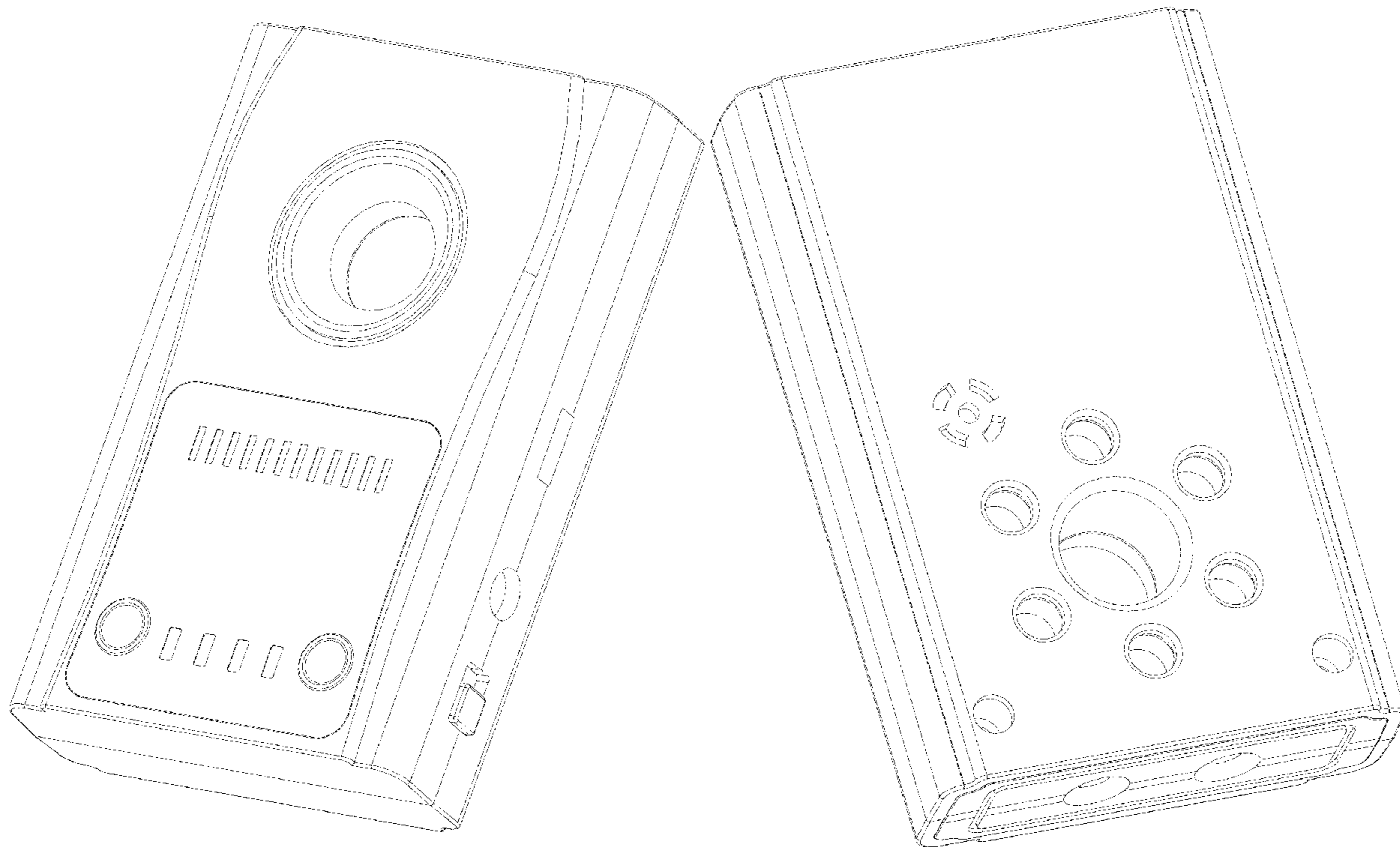
FIG. 5 is a top plan view thereof;

FIG. 6 is a bottom plan view thereof;

FIG. 7 is a perspective view thereof; and,

FIG. 8 is another perspective view thereof.

1 Claim, 8 Drawing Sheets



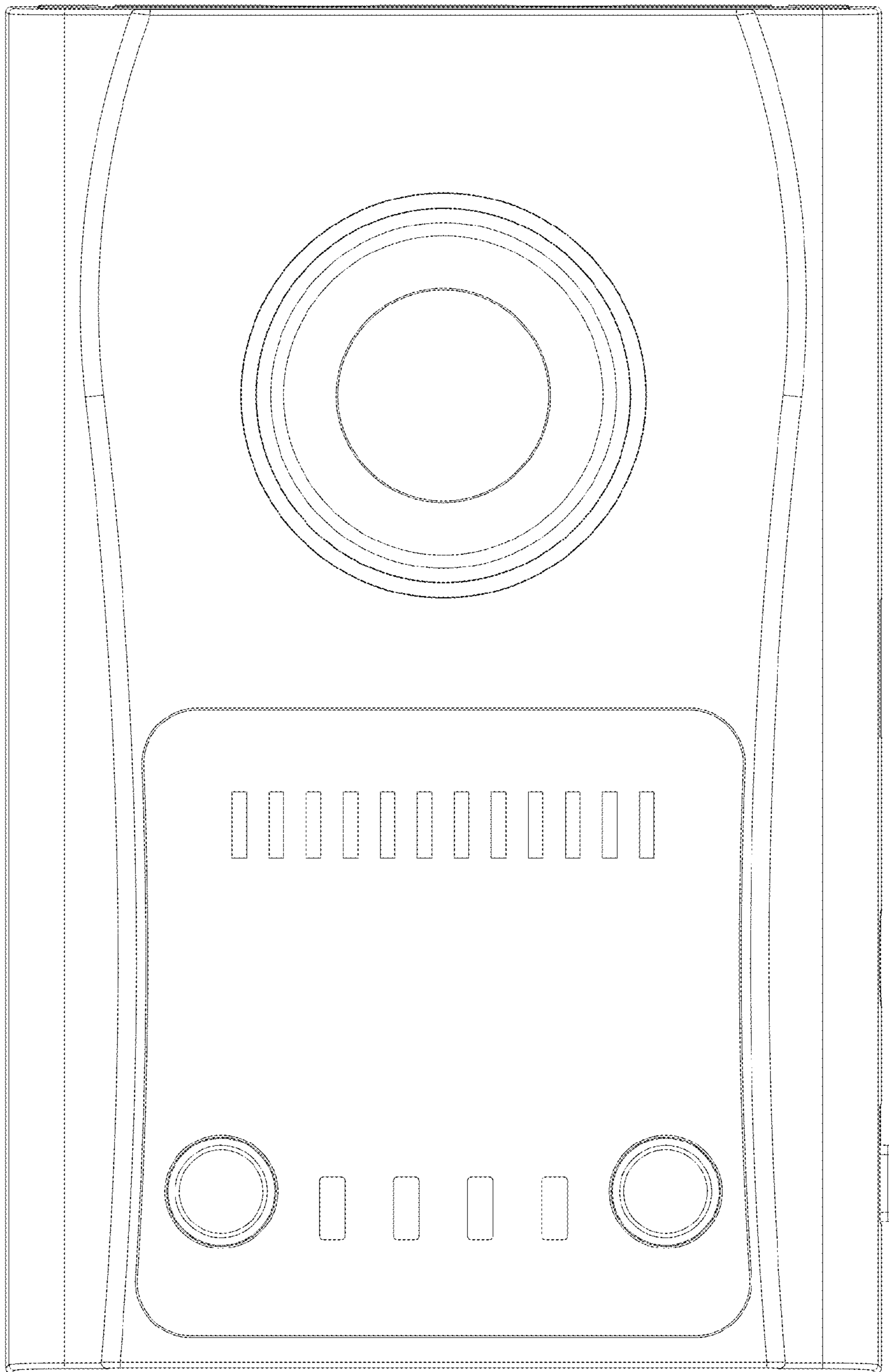


Fig. 1

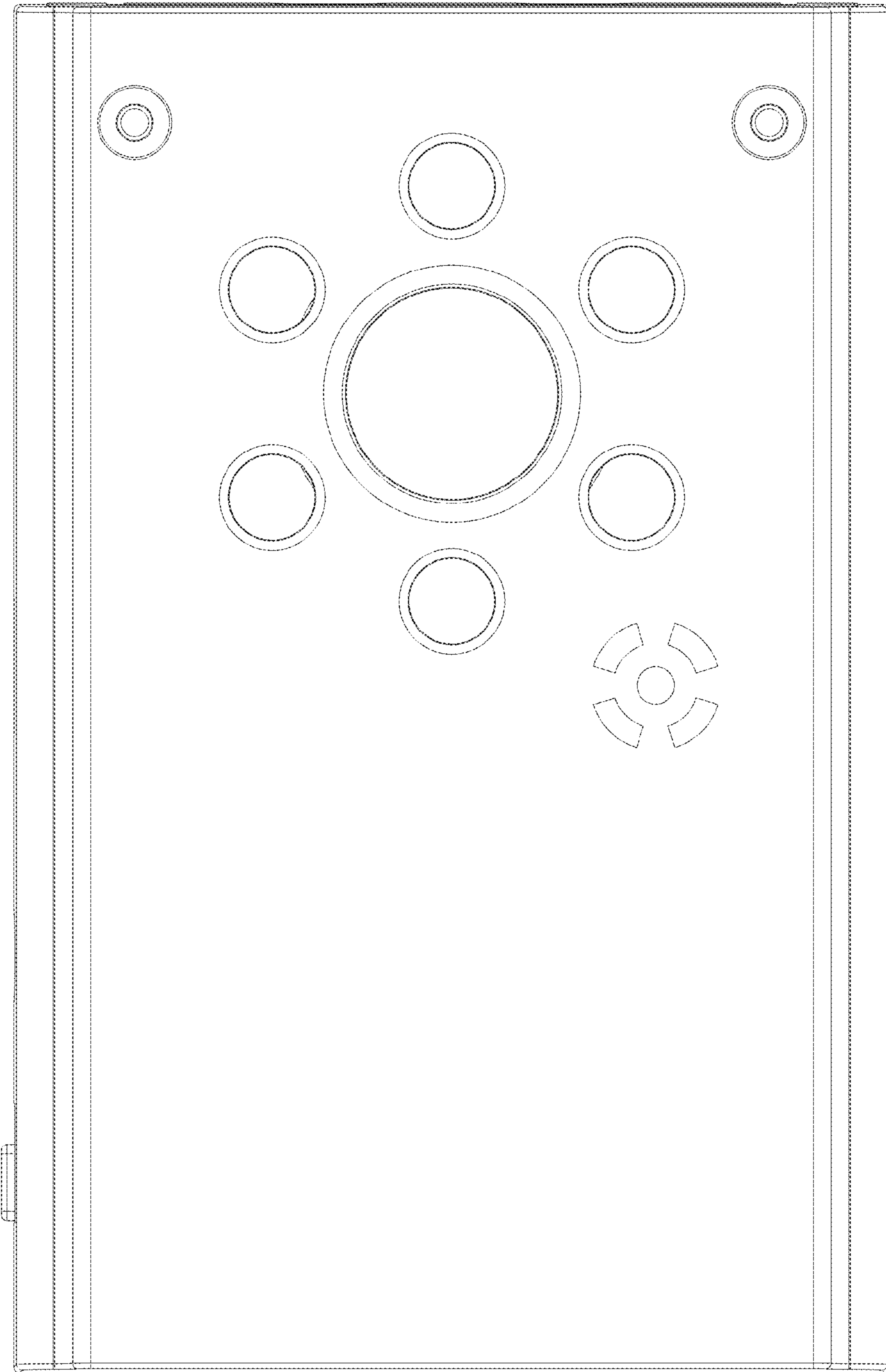


Fig. 2

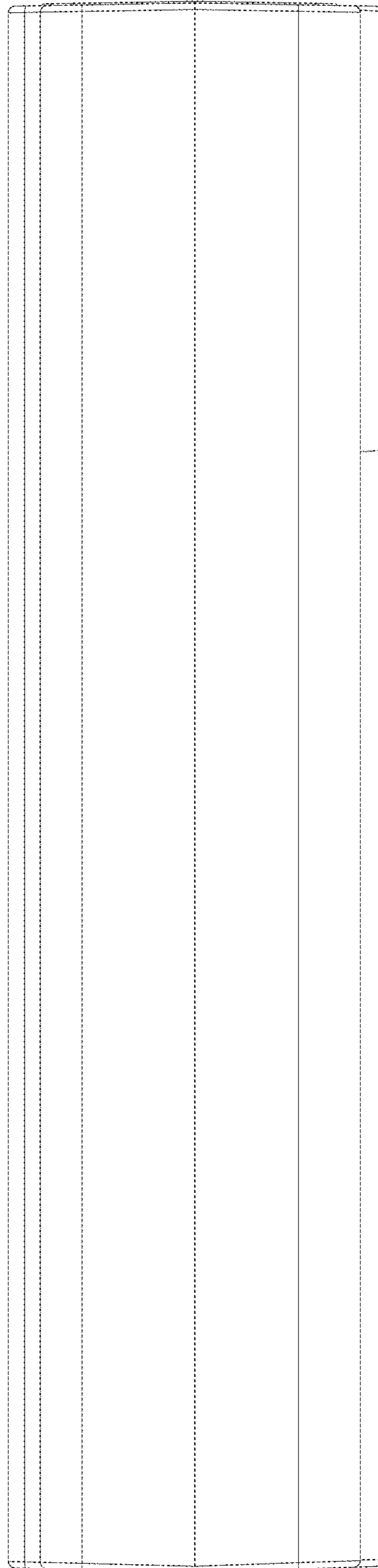


Fig. 3

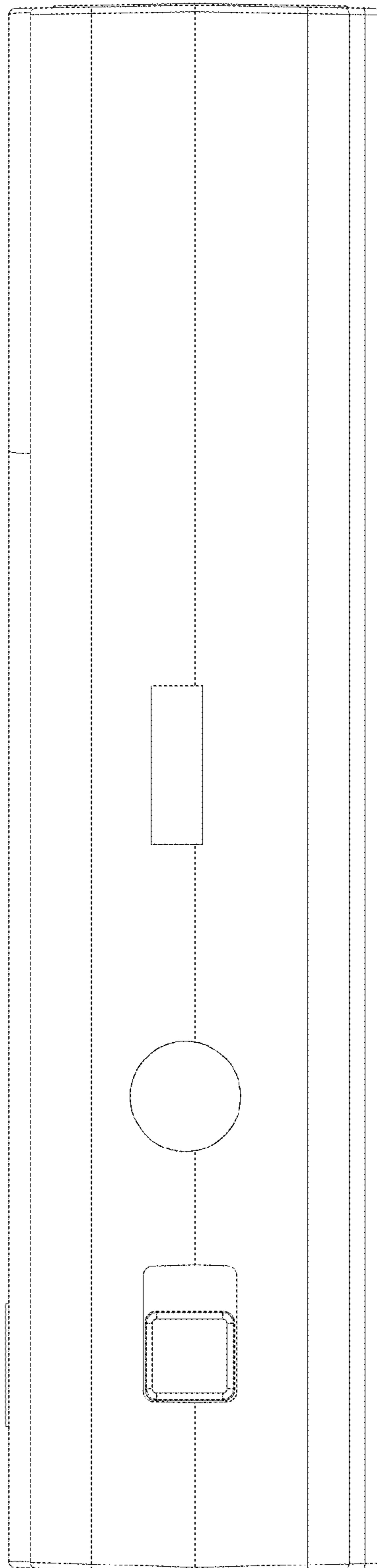


Fig. 4

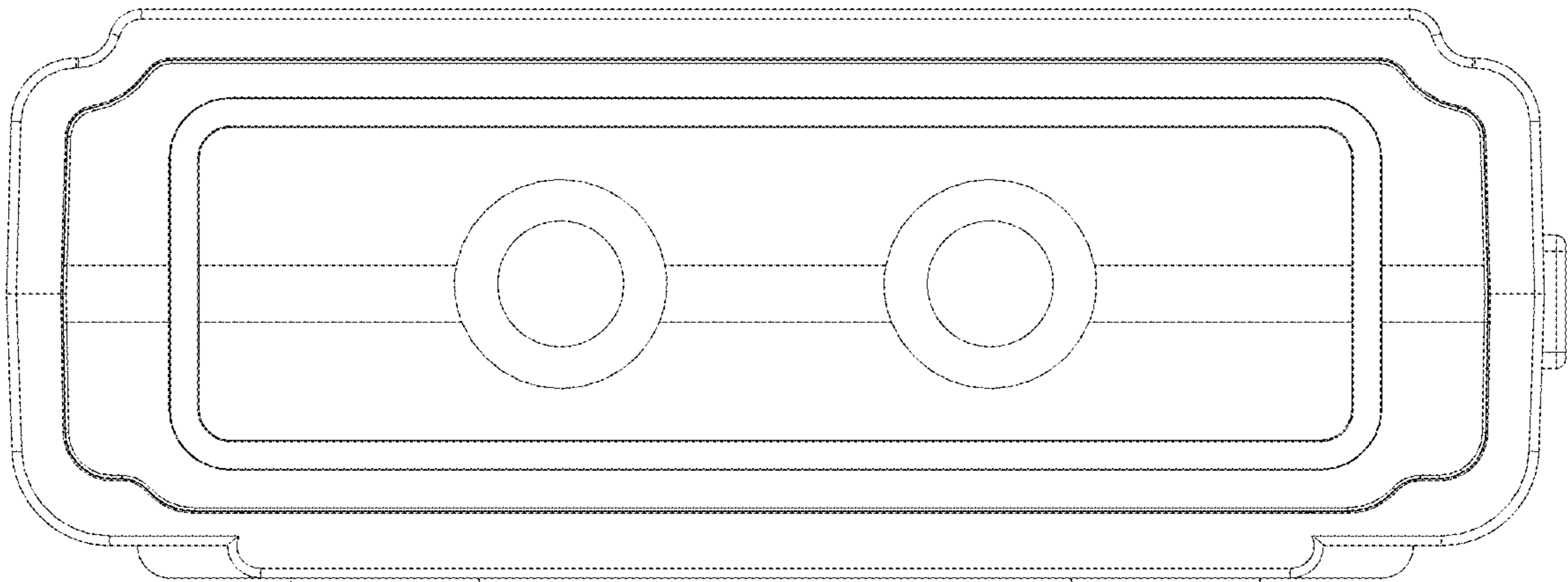


Fig. 5

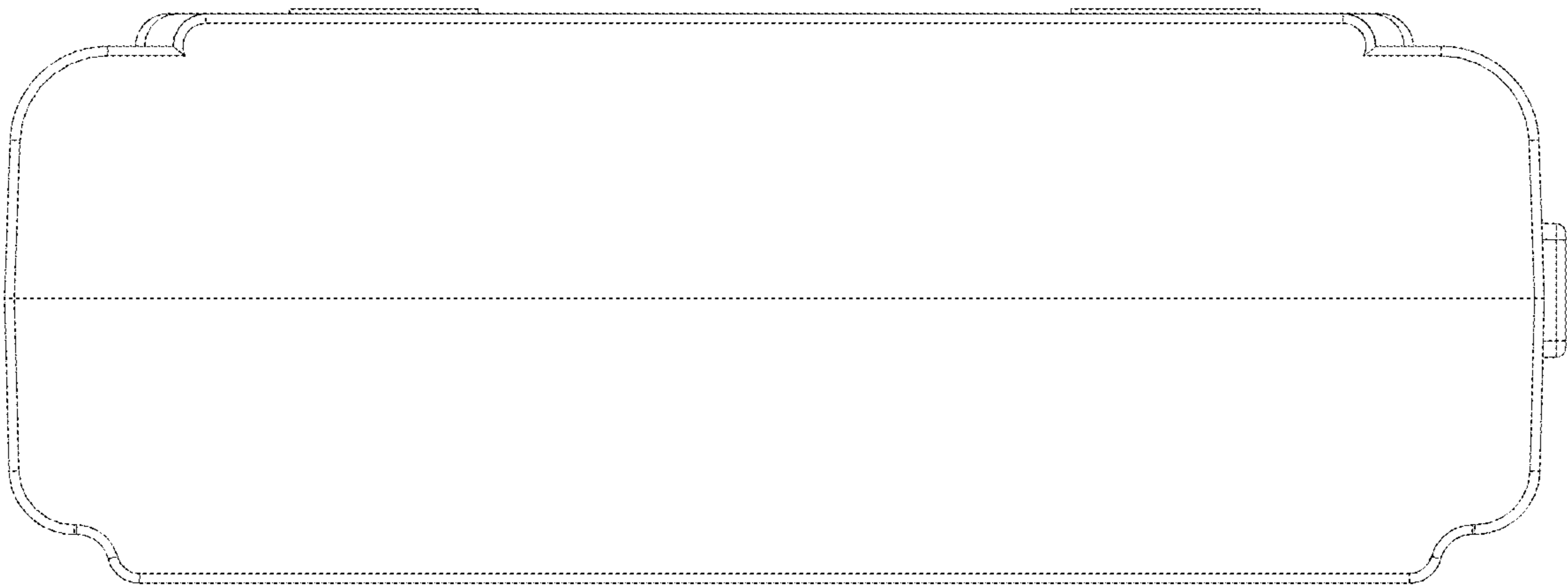


Fig. 6

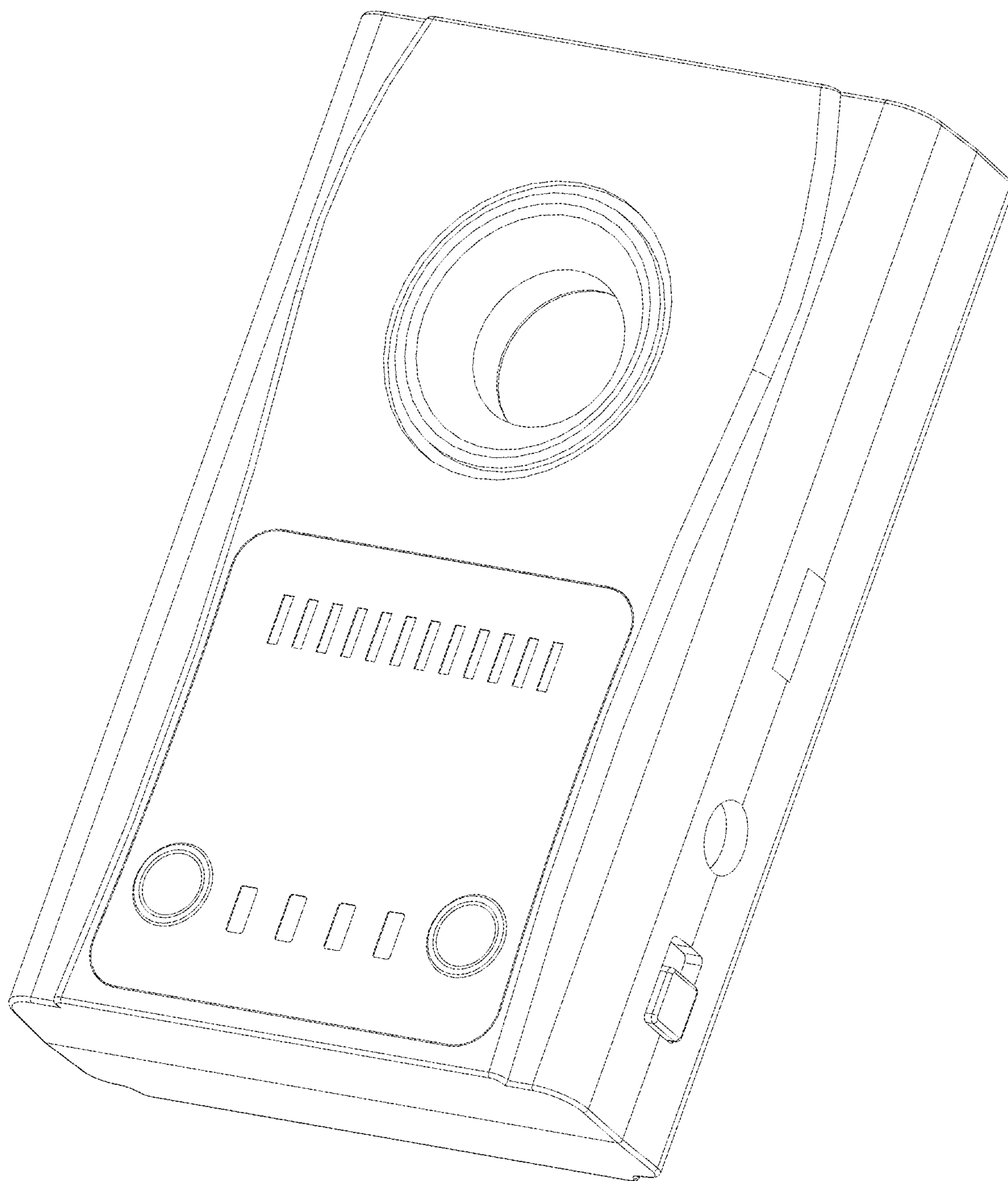


Fig. 7



Fig. 8