



US00D922229S

(12) **United States Design Patent** (10) **Patent No.:** **US D922,229 S**
Jun et al. (45) **Date of Patent:** **** Jun. 15, 2021**

(54) **DEVICE FOR CONTROLLING A TEMPERATURE OF A GAS SUPPLY UNIT**

(71) Applicant: **ASM IP Holding B.V.**, Almere (NL)

(72) Inventors: **SungHoon Jun**, Hwaseong-si (KR);
HeeChul Jung, Hwaseong-si (KR);
YonJong Jeon, Yongin-si (KR)

(73) Assignee: **ASM IP Holding B.V.**, Almere (NL)

(**) Term: **15 Years**

(21) Appl. No.: **29/693,892**

(22) Filed: **Jun. 5, 2019**

(51) **LOC (13) Cl.** **10-04**

(52) **U.S. Cl.**
USPC **D10/103**; D13/118

(58) **Field of Classification Search**
USPC D10/46, 49, 75, 81, 103; D13/101, 118,
D13/199; D23/200, 207, 499; D32/1
CPC C23C 16/45565; C23C 16/45572; C23C
16/4482; C23C 16/44; C23C 16/481;
C23C 16/4411; C23C 16/4409; C23C
16/0218; C23C 16/4401; C23C 16/0272;
C23C 16/56; C23C 16/45591; C23C
16/04; C23C 16/32; C23C 16/40; C23C
16/4586; C23C 16/45525; C23C 16/505;
C23C 16/45514; C23C 16/4581; C23C
16/4584; H01L 21/68785; H01L
21/02002; H01L 21/67103; H01L
21/67757; H01L 21/02; H01L 21/67069;
H01L 21/67115; H01L 21/0217; H01L
21/30655; H01L 21/02211; H01L
21/31116; H01L 21/76807; H01L
21/02321; H01L 21/02208; H01L
21/2205; H01L 21/768

See application file for complete search history.

(56) **References Cited**

U.S. PATENT DOCUMENTS

D30,036 S 1/1899 Rhind
D31,889 S 11/1899 Gill
D56,051 S 8/1920 Cohn
2,059,480 A 11/1936 Obermaier
2,161,626 A 6/1939 Loughner et al.
2,240,163 A 4/1941 Pick
2,266,416 A 12/1941 Duclos
2,280,778 A 4/1942 Andersen

(Continued)

FOREIGN PATENT DOCUMENTS

AT 520629 6/2019
CN 1186873 7/1998

(Continued)

OTHER PUBLICATIONS

CNIPA; Notice of Allowance dated Dec. 27, 2019 in Application No. 201510765406.3.

(Continued)

Primary Examiner — Antoine Duval Davis
(74) *Attorney, Agent, or Firm* — Snell & Wilmer L.L.P.

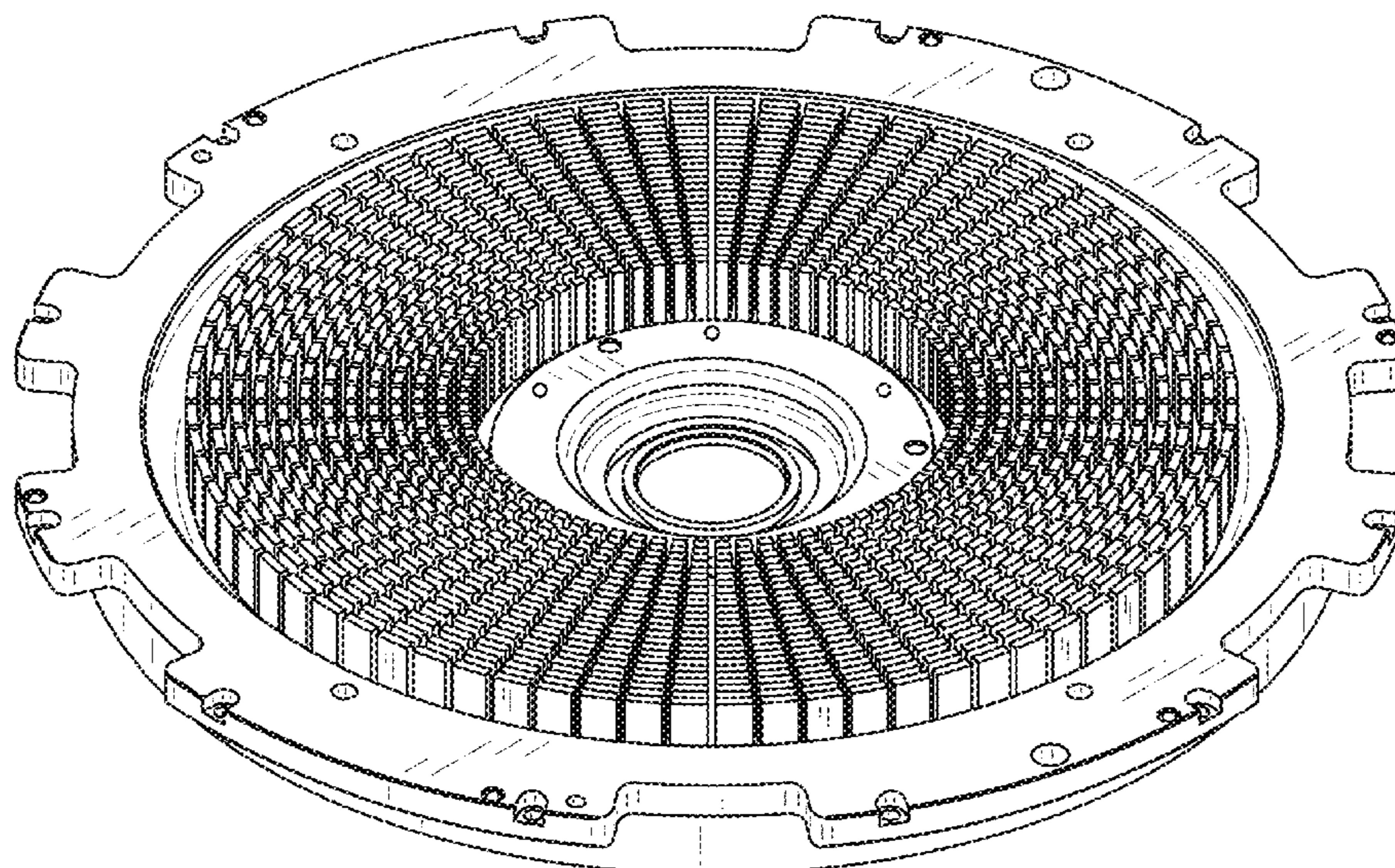
(57) **CLAIM**

The ornamental design of the device for controlling a temperature of a gas supply unit, as shown and described.

DESCRIPTION

FIG. 1 is a top perspective view of a device for controlling a temperature of a gas supply unit showing our new design; FIG. 2 is a bottom perspective view thereof; FIG. 3 is a top plan view thereof; FIG. 4 is a bottom plan view thereof; FIG. 5 is a front elevational view thereof; FIG. 6 is a rear elevational view thereof; FIG. 7 is a right side elevational view thereof; and, FIG. 8 is a left side elevational view thereof.

1 Claim, 6 Drawing Sheets



(56)

References Cited

U.S. PATENT DOCUMENTS

| | | | | | |
|-------------|---------|-------------------|-------------|---------|----------------------|
| D142,841 S | 11/1945 | D'Algodt | 4,479,831 A | 10/1984 | Sandow |
| 2,410,420 A | 11/1946 | Bennett | 4,484,061 A | 11/1984 | Zelinka et al. |
| 2,441,253 A | 5/1948 | Sarver | 4,488,506 A | 12/1984 | Heinecke et al. |
| 2,480,557 A | 8/1949 | Cummins | 4,495,024 A | 1/1985 | Bok |
| 2,563,931 A | 8/1951 | Harrison | 4,499,354 A | 2/1985 | Hill et al. |
| 2,660,061 A | 11/1953 | Lewis | 4,504,439 A | 3/1985 | Elter et al. |
| 2,745,640 A | 5/1956 | Cushman | 4,512,113 A | 4/1985 | Budinger |
| 2,847,320 A | 8/1958 | Bulloff | 4,512,841 A | 4/1985 | Cunningham et al. |
| 2,990,045 A | 6/1961 | Root | 4,527,005 A | 7/1985 | McKelvey et al. |
| 3,038,951 A | 6/1962 | Mead | 4,537,001 A | 8/1985 | Uppstrom |
| 3,089,507 A | 5/1963 | Drake et al. | 4,548,688 A | 10/1985 | Mathews |
| 3,094,396 A | 6/1963 | Flugge et al. | 4,560,590 A | 12/1985 | Bok |
| 3,232,437 A | 2/1966 | Hultgren | 4,570,328 A | 2/1986 | Price et al. |
| 3,263,502 A | 8/1966 | Springfield | 4,575,408 A | 3/1986 | Bok |
| 3,332,286 A | 7/1967 | Strong | 4,575,636 A | 3/1986 | Caprari |
| 3,410,349 A | 11/1968 | Troutman | 4,578,560 A | 3/1986 | Tanaka et al. |
| 3,420,622 A | 1/1969 | Donges et al. | 4,579,080 A | 4/1986 | Martin et al. |
| 3,588,192 A | 6/1971 | Drutchas et al. | 4,579,378 A | 4/1986 | Snyders |
| 3,647,387 A | 3/1972 | Benson | 4,579,623 A | 4/1986 | Suzuki et al. |
| 3,647,716 A | 3/1972 | Koches | 4,581,520 A | 4/1986 | Vu et al. |
| 3,713,899 A | 1/1973 | Sebestyen | 4,590,326 A | 5/1986 | Woldy |
| 3,718,429 A | 2/1973 | Williamson | 4,611,966 A | 9/1986 | Johnson |
| 3,796,182 A | 3/1974 | Rosler | 4,620,998 A | 11/1986 | Lalvani |
| 3,814,128 A | 6/1974 | Grantham | 4,622,918 A | 11/1986 | Bok |
| 3,833,492 A | 9/1974 | Bollyky | 4,624,728 A | 11/1986 | Bithell et al. |
| 3,854,443 A | 12/1974 | Baerg | D288,556 S | 3/1987 | Wallgren |
| 3,862,397 A | 1/1975 | Anderson et al. | 4,653,541 A | 3/1987 | Oehlschlaeger et al. |
| 3,867,205 A | 2/1975 | Schley | 4,654,226 A | 3/1987 | Jackson et al. |
| 3,885,504 A | 5/1975 | Baermann | 4,655,592 A | 4/1987 | Allemand |
| 3,887,790 A | 6/1975 | Ferguson | 4,662,987 A | 5/1987 | Bok |
| 3,904,371 A | 9/1975 | Neti | 4,664,769 A | 5/1987 | Cuomo et al. |
| 3,913,058 A | 10/1975 | Nishio et al. | 4,670,126 A | 6/1987 | Messer et al. |
| 3,913,617 A | 10/1975 | van Laar | 4,681,134 A | 7/1987 | Paris |
| 3,947,685 A | 3/1976 | Meinel | 4,693,211 A | 9/1987 | Ogami et al. |
| 3,960,559 A | 6/1976 | Suzuki | 4,707,815 A | 11/1987 | Yamasaki |
| 3,962,004 A | 6/1976 | Sonneborn | 4,717,461 A | 1/1988 | Strahl et al. |
| 3,997,638 A | 12/1976 | Manning et al. | 4,718,637 A | 1/1988 | Contin |
| 4,048,110 A | 9/1977 | Vanderspurt | 4,720,407 A | 1/1988 | Sculke |
| 4,054,071 A | 10/1977 | Patejak | 4,721,533 A | 1/1988 | Phillippi et al. |
| 4,058,430 A | 11/1977 | Suntola et al. | 4,721,534 A | 1/1988 | Phillippi et al. |
| 4,079,944 A | 3/1978 | Durley et al. | 4,722,298 A | 2/1988 | Rubin et al. |
| 4,093,491 A | 6/1978 | Whelpton et al. | 4,724,272 A | 2/1988 | Raniere et al. |
| D249,341 S | 9/1978 | Mertz | 4,725,204 A | 2/1988 | Powell |
| 4,126,027 A | 11/1978 | Smith et al. | 4,735,259 A | 4/1988 | Vincent |
| 4,134,425 A | 1/1979 | Gussefeld et al. | 4,738,618 A | 4/1988 | Massey et al. |
| 4,145,699 A | 3/1979 | Hu et al. | 4,738,748 A | 4/1988 | Kisa |
| 4,149,237 A | 4/1979 | Freitas | 4,747,367 A | 5/1988 | Posa |
| 4,152,760 A | 5/1979 | Freitas et al. | 4,749,416 A | 6/1988 | Greenspan |
| 4,157,751 A | 6/1979 | Grundken et al. | 4,750,520 A | 6/1988 | Heim et al. |
| 4,164,959 A | 8/1979 | Wurzbürger | 4,753,192 A | 6/1988 | Goldsmith et al. |
| 4,176,630 A | 12/1979 | Elmer | 4,753,856 A | 6/1988 | Haluska et al. |
| 4,179,530 A | 12/1979 | Koppl et al. | 4,756,794 A | 7/1988 | Yoder |
| 4,181,330 A | 1/1980 | Kojima | 4,764,076 A | 8/1988 | Layman et al. |
| 4,194,536 A | 3/1980 | Stine et al. | 4,770,590 A | 9/1988 | Hugues et al. |
| 4,217,463 A | 8/1980 | Swearingen | 4,771,015 A | 9/1988 | Kanai |
| 4,229,064 A | 10/1980 | Vetter et al. | 4,775,281 A | 10/1988 | Prentakis |
| 4,234,449 A | 11/1980 | Wolson et al. | 4,776,744 A | 10/1988 | Stonestreet et al. |
| 4,314,763 A | 2/1982 | Steigmeier et al. | 4,780,169 A | 10/1988 | Stark et al. |
| 4,322,592 A | 3/1982 | Martin | 4,781,511 A | 11/1988 | Harada et al. |
| 4,324,611 A | 4/1982 | Vogel et al. | 4,789,294 A | 12/1988 | Sato et al. |
| 4,333,735 A | 6/1982 | Hardy | 4,790,258 A | 12/1988 | Drage et al. |
| 4,355,912 A | 10/1982 | Haak | 4,802,441 A | 2/1989 | Waugh |
| 4,389,973 A | 6/1983 | Suntola et al. | 4,808,387 A | 2/1989 | Datta et al. |
| D269,850 S | 7/1983 | Preisler et al. | 4,812,201 A | 3/1989 | Sakai et al. |
| 4,393,013 A | 7/1983 | McMenamin | 4,812,217 A | 3/1989 | George et al. |
| 4,401,507 A | 8/1983 | Engle | 4,821,674 A | 4/1989 | deBoer et al. |
| 4,413,022 A | 11/1983 | Suntola et al. | 4,827,430 A | 5/1989 | Aid et al. |
| 4,414,492 A | 11/1983 | Hanlet | 4,828,224 A | 5/1989 | Crabb et al. |
| 4,436,674 A | 3/1984 | McMenamin | 4,830,515 A | 5/1989 | Cortes |
| 4,444,990 A | 4/1984 | Villar | 4,837,113 A | 6/1989 | Luttmer et al. |
| D274,122 S | 6/1984 | Stahel et al. | 4,837,185 A | 6/1989 | Yau et al. |
| 4,454,370 A | 6/1984 | Voznick | 4,854,263 A | 8/1989 | Chang et al. |
| 4,455,193 A | 6/1984 | Jeuch et al. | 4,854,266 A | 8/1989 | Simson et al. |
| 4,465,716 A | 8/1984 | Baber et al. | 4,857,137 A | 8/1989 | Tachi et al. |
| 4,466,766 A | 8/1984 | Geren et al. | 4,857,382 A | 8/1989 | Liu et al. |
| | | | 4,858,557 A | 8/1989 | Pozzetti et al. |
| | | | 4,863,374 A | 9/1989 | Vukovich |
| | | | 4,867,629 A | 9/1989 | Iwasawa et al. |
| | | | 4,871,523 A | 10/1989 | Datta et al. |

(56)

References Cited

U.S. PATENT DOCUMENTS

| | | | | | |
|--------------|---------|--------------------|-------------|---------|------------------|
| 4,874,273 A | 10/1989 | Tokisue et al. | 5,193,912 A | 3/1993 | Saunders |
| 4,882,199 A | 11/1989 | Sadoway et al. | 5,193,969 A | 3/1993 | Rush et al. |
| 4,916,091 A | 4/1990 | Freeman et al. | 5,194,401 A | 3/1993 | Adams et al. |
| 4,917,556 A | 4/1990 | Stark et al. | 5,199,603 A | 4/1993 | Prescott |
| 4,920,918 A | 5/1990 | Adams et al. | 5,213,650 A | 5/1993 | Wang et al. |
| 4,925,388 A | 5/1990 | Iseki et al. | 5,221,556 A | 6/1993 | Hawkins et al. |
| 4,934,831 A | 6/1990 | Volbrecht | 5,225,366 A | 7/1993 | Yoder |
| D309,702 S | 8/1990 | Hall | 5,226,383 A | 7/1993 | Bhat |
| 4,949,848 A | 8/1990 | Kos | 5,226,713 A | 7/1993 | Matsumura |
| 4,950,624 A | 8/1990 | Inuzima et al. | 5,226,967 A | 7/1993 | Chen et al. |
| 4,958,061 A | 9/1990 | Wakabayashi et al. | 5,228,114 A | 7/1993 | Suzuki |
| D311,126 S | 10/1990 | Crowley | 5,232,508 A | 8/1993 | Arena et al. |
| 4,962,063 A | 10/1990 | Maydan et al. | 5,234,526 A | 8/1993 | Chen et al. |
| 4,976,996 A | 12/1990 | Monkowski et al. | 5,242,539 A | 9/1993 | Kumihashi et al. |
| 4,978,567 A | 12/1990 | Miller | 5,243,195 A | 9/1993 | Nishi |
| 4,984,904 A | 1/1991 | Nakano et al. | 5,243,202 A | 9/1993 | Mori et al. |
| 4,985,114 A | 1/1991 | Okudaira | 5,246,218 A | 9/1993 | Yap et al. |
| 4,986,215 A | 1/1991 | Yamada | 5,246,500 A | 9/1993 | Samata et al. |
| 4,987,102 A | 1/1991 | Nguyen et al. | 5,249,960 A | 10/1993 | Monoe |
| 4,987,856 A | 1/1991 | Hey | 5,259,881 A | 11/1993 | Edwards et al. |
| 4,989,992 A | 2/1991 | Piai | 5,261,167 A | 11/1993 | Sakata |
| 4,991,614 A | 2/1991 | Hammel | 5,266,526 A | 11/1993 | Aoyama |
| 5,002,632 A | 3/1991 | Loewenstein et al. | 5,268,989 A | 12/1993 | Moslehi et al. |
| 5,013,691 A | 5/1991 | Lory et al. | 5,271,967 A | 12/1993 | Kramer et al. |
| 5,022,961 A | 6/1991 | Izumi et al. | 5,273,609 A | 12/1993 | Moslehi |
| D317,850 S * | 7/1991 | Shaw D23/200 | 5,277,932 A | 1/1994 | Spencer |
| 5,027,746 A | 7/1991 | Frijlink | 5,278,494 A | 1/1994 | Obigane |
| 5,028,366 A | 7/1991 | Harakal et al. | 5,279,886 A | 1/1994 | Kawai et al. |
| D320,148 S | 9/1991 | Andrews | 5,279,986 A | 1/1994 | Maloney et al. |
| 5,049,029 A | 9/1991 | Mitsui et al. | 5,281,274 A | 1/1994 | Yoder |
| 5,053,247 A | 10/1991 | Moore | 5,284,519 A | 2/1994 | Gadgil |
| 5,057,436 A | 10/1991 | Ball | 5,288,684 A | 2/1994 | Yamazaki et al. |
| 5,060,322 A | 10/1991 | Delepine | 5,294,572 A | 3/1994 | Granneman et al. |
| 5,061,083 A | 10/1991 | Grimm et al. | 5,294,778 A | 3/1994 | Carman et al. |
| 5,062,386 A | 11/1991 | Christensen | 5,305,417 A | 4/1994 | Najm et al. |
| 5,064,337 A | 11/1991 | Asakawa et al. | 5,306,666 A | 4/1994 | Izumi |
| 5,065,698 A | 11/1991 | Koike | 5,306,946 A | 4/1994 | Yamamoto |
| 5,067,437 A | 11/1991 | Watanabe et al. | 5,308,650 A | 5/1994 | Krummel et al. |
| 5,069,591 A | 12/1991 | Kinoshita | 5,310,456 A | 5/1994 | Kadomura |
| 5,071,258 A | 12/1991 | Usher et al. | 5,312,245 A | 5/1994 | Brannen et al. |
| 5,074,017 A | 12/1991 | Toya et al. | 5,313,061 A | 5/1994 | Drew et al. |
| 5,082,517 A | 1/1992 | Moslehi | 5,314,538 A | 5/1994 | Maeda et al. |
| 5,084,126 A | 1/1992 | McKee | 5,314,570 A | 5/1994 | Ikegaya et al. |
| 5,088,444 A | 2/1992 | Ohmine et al. | 5,315,092 A | 5/1994 | Takahashi et al. |
| 5,097,890 A | 3/1992 | Nakao | 5,320,218 A | 6/1994 | Yamashita et al. |
| 5,098,638 A | 3/1992 | Sawada | 5,326,427 A | 7/1994 | Jerbic |
| 5,098,865 A | 3/1992 | Machado | 5,328,810 A | 7/1994 | Lowrey et al. |
| 5,104,514 A | 4/1992 | Quartarone | 5,335,309 A | 8/1994 | Fujii et al. |
| 5,107,170 A | 4/1992 | Ishikawa et al. | 5,336,327 A | 8/1994 | Lee |
| 5,108,192 A | 4/1992 | Mailliet et al. | 5,338,362 A | 8/1994 | Imahashi |
| 5,110,407 A | 5/1992 | Ono et al. | 5,340,261 A | 8/1994 | Oosawa et al. |
| 5,114,683 A | 5/1992 | Hirase | 5,346,961 A | 9/1994 | Shaw et al. |
| 5,116,018 A | 5/1992 | Friemoth et al. | 5,348,774 A | 9/1994 | Golecki et al. |
| D327,534 S | 6/1992 | Manville | 5,350,480 A | 9/1994 | Gray |
| 5,119,760 A | 6/1992 | McMillan et al. | 5,354,433 A | 10/1994 | Granneman et al. |
| 5,125,358 A | 6/1992 | Ueda et al. | 5,354,580 A | 10/1994 | Goela et al. |
| 5,130,003 A | 7/1992 | Conrad | 5,356,478 A | 10/1994 | Chen et al. |
| 5,134,965 A | 8/1992 | Tokuda et al. | 5,356,672 A | 10/1994 | Schmitt et al. |
| 5,137,286 A | 8/1992 | Whitford | 5,360,269 A | 11/1994 | Ogawa et al. |
| 5,151,296 A | 9/1992 | Tokunaga | 5,364,667 A | 11/1994 | Rhieu |
| 5,154,301 A | 10/1992 | Kos | D353,452 S | 12/1994 | Groenhoff |
| 5,158,128 A | 10/1992 | Inoue et al. | 5,374,315 A | 12/1994 | Deboer et al. |
| D330,900 S | 11/1992 | Wakegijig | D354,898 S | 1/1995 | Nagy |
| 5,167,716 A | 12/1992 | Boitnott et al. | 5,380,367 A | 1/1995 | Bertone |
| 5,167,761 A | 12/1992 | Westendorp et al. | 5,382,311 A | 1/1995 | Ishikawa et al. |
| 5,174,881 A | 12/1992 | Iwasaki et al. | 5,387,265 A | 2/1995 | Kakizaki et al. |
| 5,176,451 A | 1/1993 | Sasada | 5,388,945 A | 2/1995 | Garric et al. |
| 5,178,639 A | 1/1993 | Nishi | 5,393,577 A | 2/1995 | Uesugi et al. |
| 5,178,682 A | 1/1993 | Tsukamoto et al. | 5,397,395 A | 3/1995 | Sano et al. |
| 5,180,273 A | 1/1993 | Sakaya et al. | 5,403,630 A | 4/1995 | Matsui et al. |
| 5,180,435 A | 1/1993 | Markunas et al. | 5,404,082 A | 4/1995 | Hernandez et al. |
| 5,181,779 A | 1/1993 | Shia et al. | 5,407,449 A | 4/1995 | Zinger |
| 5,182,232 A | 1/1993 | Chhabra et al. | 5,407,867 A | 4/1995 | Iwasaki et al. |
| 5,183,511 A | 2/1993 | Yamazaki et al. | 5,413,813 A | 5/1995 | Cruse et al. |
| 5,192,717 A | 3/1993 | Kawakami | 5,414,221 A | 5/1995 | Gardner |
| | | | 5,415,753 A | 5/1995 | Hurwitt et al. |
| | | | 5,418,382 A | 5/1995 | Blackwood et al. |
| | | | 5,421,893 A | 6/1995 | Perlov |
| | | | 5,422,139 A | 6/1995 | Fischer |

(56)

References Cited

U.S. PATENT DOCUMENTS

| | | | | | |
|-------------|---------|----------------------|-------------|---------|----------------------|
| 5,423,942 A | 6/1995 | Robbins et al. | 5,667,592 A | 9/1997 | Boitnott et al. |
| 5,426,137 A | 6/1995 | Allen | 5,670,786 A | 9/1997 | Meyer et al. |
| 5,427,824 A | 6/1995 | Inushima et al. | 5,679,215 A | 10/1997 | Barnes et al. |
| 5,430,011 A | 7/1995 | Tanaka et al. | 5,681,779 A | 10/1997 | Pasch et al. |
| 5,431,734 A | 7/1995 | Chapple-Sokol et al. | D386,076 S | 11/1997 | Moore |
| 5,443,646 A | 8/1995 | Yamada et al. | 5,683,517 A | 11/1997 | Shan |
| 5,443,648 A | 8/1995 | Ohkase | 5,685,912 A | 11/1997 | Nishizaka |
| 5,443,686 A | 8/1995 | Jones et al. | 5,685,914 A | 11/1997 | Hills et al. |
| 5,444,217 A | 8/1995 | Moore | 5,695,567 A | 12/1997 | Kordina |
| 5,447,294 A | 9/1995 | Sakata et al. | 5,697,706 A | 12/1997 | Ciaravino et al. |
| 5,453,124 A | 9/1995 | Moslehi et al. | 5,698,036 A | 12/1997 | Ishii et al. |
| D363,464 S | 10/1995 | Fukasawa | 5,700,729 A | 12/1997 | Lee et al. |
| 5,456,207 A | 10/1995 | Gedridge et al. | 5,708,825 A | 1/1998 | Sotomayor |
| 5,461,214 A | 10/1995 | Peck et al. | 5,709,745 A | 1/1998 | Larkin et al. |
| 5,462,899 A | 10/1995 | Ikeda | 5,711,811 A | 1/1998 | Suntola et al. |
| 5,463,176 A | 10/1995 | Eckert | 5,716,133 A | 2/1998 | Hosokawa et al. |
| 5,464,313 A | 11/1995 | Ohsawa | 5,718,574 A | 2/1998 | Shimazu |
| 5,474,410 A | 12/1995 | Ozawa et al. | 5,720,927 A | 2/1998 | Cripe et al. |
| 5,474,612 A | 12/1995 | Sato et al. | D392,855 S | 3/1998 | Pillow |
| 5,480,488 A | 1/1996 | Bittner et al. | 5,724,748 A | 3/1998 | Brooks |
| 5,480,818 A | 1/1996 | Matsumoto et al. | 5,728,223 A | 3/1998 | Murakarni et al. |
| 5,482,559 A | 1/1996 | Imai et al. | 5,728,425 A | 3/1998 | Ebe et al. |
| 5,484,484 A | 1/1996 | Yamaga et al. | 5,730,801 A | 3/1998 | Tepman et al. |
| 5,494,439 A | 2/1996 | Goldstein et al. | 5,730,802 A | 3/1998 | Ishizumi et al. |
| 5,494,494 A | 2/1996 | Mizuno et al. | 5,732,597 A | 3/1998 | Devenyi |
| 5,496,408 A | 3/1996 | Motoda et al. | 5,732,744 A | 3/1998 | Barr et al. |
| 5,501,740 A | 3/1996 | Besen et al. | 5,736,314 A | 4/1998 | Hayes et al. |
| 5,503,875 A | 4/1996 | Imai et al. | 5,753,835 A | 5/1998 | Gustin |
| 5,504,042 A | 4/1996 | Cho et al. | 5,754,390 A | 5/1998 | Sandhu et al. |
| 5,510,277 A | 4/1996 | Cunningham et al. | 5,759,281 A | 6/1998 | Gurary et al. |
| 5,512,102 A | 4/1996 | Yamazaki | 5,761,328 A | 6/1998 | Solberg et al. |
| 5,514,439 A | 5/1996 | Sibley | 5,766,365 A | 6/1998 | Umutoy et al. |
| 5,518,549 A | 5/1996 | Hellwig | 5,768,125 A | 6/1998 | Zinger et al. |
| 5,519,234 A | 5/1996 | Paz De Araujo | 5,769,952 A | 6/1998 | Komino |
| 5,520,743 A | 5/1996 | Takahashi et al. | 5,775,889 A | 7/1998 | Kobayashi et al. |
| 5,523,616 A | 6/1996 | Yasuhide | 5,777,838 A | 7/1998 | Tamagawa et al. |
| 5,527,111 A | 6/1996 | Lysen et al. | 5,779,203 A | 7/1998 | Edlinger |
| 5,527,417 A | 6/1996 | Iida et al. | 5,781,693 A | 7/1998 | Ballance et al. |
| 5,531,218 A | 7/1996 | Krebs | 5,782,979 A | 7/1998 | Kaneno |
| 5,531,835 A | 7/1996 | Fodor et al. | 5,790,750 A | 8/1998 | Anderson |
| 5,537,311 A | 7/1996 | Stevens | 5,791,782 A | 8/1998 | Wooten et al. |
| 5,540,059 A | 7/1996 | Yokokawa | 5,792,272 A | 8/1998 | Van Os et al. |
| 5,540,898 A | 7/1996 | Davidson | 5,796,074 A | 8/1998 | Edelstein et al. |
| 5,554,557 A | 9/1996 | Koh | 5,801,104 A | 9/1998 | Schuegraf et al. |
| 5,556,275 A | 9/1996 | Sakata et al. | 5,801,945 A | 9/1998 | Comer |
| 5,558,717 A | 9/1996 | Zhao et al. | 5,806,980 A | 9/1998 | Berrian |
| 5,559,046 A | 9/1996 | Oishi et al. | 5,813,851 A | 9/1998 | Nakao |
| 5,562,383 A | 10/1996 | Iwai et al. | 5,818,716 A | 10/1998 | Chin et al. |
| 5,562,947 A | 10/1996 | White et al. | 5,819,092 A | 10/1998 | Ferguson et al. |
| 5,562,952 A | 10/1996 | Nakahigashi et al. | 5,819,434 A | 10/1998 | Herchen et al. |
| 5,569,402 A | 10/1996 | Meisser et al. | 5,820,366 A | 10/1998 | Lee |
| 5,574,247 A | 11/1996 | Nishitani et al. | 5,820,685 A | 10/1998 | Kurihira et al. |
| 5,576,629 A | 11/1996 | Turner | 5,820,686 A | 10/1998 | Moore |
| 5,577,331 A | 11/1996 | Suzuki | 5,826,129 A | 10/1998 | Hasebe et al. |
| 5,583,736 A | 12/1996 | Anderson et al. | 5,827,420 A | 10/1998 | Shirazi et al. |
| 5,586,585 A | 12/1996 | Bonora et al. | 5,827,435 A | 10/1998 | Samukawa |
| 5,589,002 A | 12/1996 | Su | 5,827,757 A | 10/1998 | Robinson, Jr. et al. |
| 5,589,110 A | 12/1996 | Motoda et al. | 5,836,483 A | 11/1998 | Disel |
| 5,595,606 A | 1/1997 | Fujikawa et al. | 5,837,058 A | 11/1998 | Chen et al. |
| 5,601,641 A | 2/1997 | Stephens | 5,837,320 A | 11/1998 | Hampden-Smith et al. |
| 5,602,060 A | 2/1997 | Kobayashi et al. | 5,844,683 A | 12/1998 | Pavloski et al. |
| 5,604,410 A | 2/1997 | Vollkommer et al. | 5,846,332 A | 12/1998 | Zhao et al. |
| 5,611,448 A | 3/1997 | Chen | 5,851,294 A | 12/1998 | Young et al. |
| 5,616,264 A | 4/1997 | Nishi et al. | 5,851,299 A | 12/1998 | Cheng et al. |
| 5,616,947 A | 4/1997 | Tamura | 5,852,445 A | 12/1998 | Yoshikawa et al. |
| 5,621,982 A | 4/1997 | Yamashita | 5,852,879 A | 12/1998 | Schumaier |
| 5,632,919 A | 5/1997 | MacCracken et al. | 5,853,484 A | 12/1998 | Jeong |
| D380,527 S | 7/1997 | Velez | D404,370 S | 1/1999 | Kimura |
| 5,650,013 A | 7/1997 | Yamazaki | D404,372 S | 1/1999 | Ishii |
| 5,650,351 A | 7/1997 | Wu | 5,855,680 A | 1/1999 | Soininen et al. |
| 5,653,807 A | 8/1997 | Crumbaker | 5,855,681 A | 1/1999 | Maydan et al. |
| 5,656,093 A | 8/1997 | Burkhart et al. | 5,855,726 A | 1/1999 | Soraoka et al. |
| 5,662,470 A | 9/1997 | Huussen et al. | 5,857,777 A | 1/1999 | Schuh |
| 5,663,899 A | 9/1997 | Zvonar et al. | 5,861,233 A | 1/1999 | Sekine et al. |
| 5,665,608 A | 9/1997 | Chapple-Sokol et al. | 5,862,302 A | 1/1999 | Okase |
| | | | 5,863,123 A | 1/1999 | Lee et al. |
| | | | 5,865,205 A | 2/1999 | Wilmer |
| | | | 5,866,795 A | 2/1999 | Wang et al. |
| | | | 5,872,065 A | 2/1999 | Sivaramakrishnan |

(56)

References Cited

U.S. PATENT DOCUMENTS

| | | | | | |
|-------------|---------|--------------------|--------------|---------|----------------------|
| 5,873,942 A | 2/1999 | Park | 6,068,441 A | 5/2000 | Raaijmakers et al. |
| 5,877,095 A | 3/1999 | Tamura et al. | 6,071,572 A | 6/2000 | Mosely et al. |
| 5,879,128 A | 3/1999 | Tietz et al. | 6,072,163 A | 6/2000 | Armstrong et al. |
| 5,879,459 A | 3/1999 | Gadgil et al. | 6,073,973 A | 6/2000 | Boscaljon et al. |
| 5,880,980 A | 3/1999 | Rothacher et al. | 6,074,154 A | 6/2000 | Ueda et al. |
| 5,882,165 A | 3/1999 | Maydan et al. | 6,074,443 A | 6/2000 | Venkatesh |
| 5,884,640 A | 3/1999 | Fishkin et al. | 6,074,514 A | 6/2000 | Bjorkman et al. |
| 5,891,251 A | 4/1999 | MacLeish et al. | 6,077,027 A | 6/2000 | Kawamura et al. |
| 5,893,741 A | 4/1999 | Huang | 6,079,356 A | 6/2000 | Umotoy et al. |
| 5,897,348 A | 4/1999 | Wu | 6,079,927 A | 6/2000 | Muka |
| 5,897,378 A | 4/1999 | Eriguchi | 6,083,321 A | 7/2000 | Lei et al. |
| 5,897,379 A | 4/1999 | Ulrich et al. | 6,086,677 A | 7/2000 | Umotoy et al. |
| D409,894 S | 5/1999 | McClurg | 6,090,212 A | 7/2000 | Mahawili |
| 5,904,170 A | 5/1999 | Harvey et al. | 6,090,659 A | 7/2000 | Laibowitz et al. |
| D411,516 S | 6/1999 | Imafuku et al. | 6,091,062 A | 7/2000 | Pfahnl et al. |
| 5,908,672 A | 6/1999 | Ryu | 6,093,252 A | 7/2000 | Wengert et al. |
| 5,915,562 A | 6/1999 | Nyseth et al. | 6,093,253 A | 7/2000 | Lofgren |
| 5,916,365 A | 6/1999 | Sherman | 6,095,083 A | 8/2000 | Rice et al. |
| D412,270 S | 7/1999 | Fredrickson | 6,096,133 A | 8/2000 | Yuuki et al. |
| 5,920,798 A | 7/1999 | Higuchi et al. | 6,096,267 A | 8/2000 | Kishkovich |
| 5,928,426 A | 7/1999 | Aitchison | 6,099,302 A | 8/2000 | Hong et al. |
| D412,512 S | 8/1999 | Boisvert | 6,099,649 A | 8/2000 | Schmitt et al. |
| 5,937,142 A | 8/1999 | Moslehi et al. | 6,102,565 A | 8/2000 | Kita et al. |
| 5,937,323 A | 8/1999 | Orczyk et al. | 6,104,002 A | 8/2000 | Hirose et al. |
| 5,939,886 A | 8/1999 | Turner et al. | 6,104,011 A | 8/2000 | Juliano |
| 5,947,718 A | 9/1999 | Weaver | 6,104,401 A | 8/2000 | Parsons |
| 5,950,327 A | 9/1999 | Peterson et al. | 6,106,625 A | 8/2000 | Koai et al. |
| 5,950,925 A | 9/1999 | Fukunaga et al. | 6,106,678 A | 8/2000 | Shufflebotham |
| 5,954,375 A | 9/1999 | Trickle et al. | 6,110,531 A | 8/2000 | Paz de Araujo et al. |
| 5,961,775 A | 10/1999 | Fujimura | 6,113,703 A | 9/2000 | Anderson et al. |
| 5,968,275 A | 10/1999 | Lee et al. | 6,119,710 A | 9/2000 | Brown |
| 5,970,621 A | 10/1999 | Bazydola | 6,121,061 A | 9/2000 | Van Bilsen et al. |
| 5,972,196 A | 10/1999 | Murphy et al. | 6,121,158 A | 9/2000 | Benchikha et al. |
| 5,975,492 A | 11/1999 | Brenes | 6,122,036 A | 9/2000 | Yamasaki et al. |
| 5,979,506 A | 11/1999 | Aarseth | 6,124,600 A | 9/2000 | Moroishi et al. |
| 5,982,931 A | 11/1999 | Ishimaru | 6,125,789 A | 10/2000 | Gupta et al. |
| 5,984,391 A | 11/1999 | Vanderpot et al. | 6,126,744 A | 10/2000 | Hawkins et al. |
| 5,987,480 A | 11/1999 | Donohue et al. | 6,126,848 A | 10/2000 | Li et al. |
| 5,989,342 A | 11/1999 | Ikeda et al. | 6,127,249 A | 10/2000 | Hu |
| 5,992,453 A | 11/1999 | Zimmer | 6,129,044 A | 10/2000 | Zhao et al. |
| 5,997,588 A | 12/1999 | Goodwin | 6,129,546 A | 10/2000 | Sada |
| 5,997,768 A | 12/1999 | Scully | 6,132,207 A | 10/2000 | Stoutjesdijk |
| 5,998,870 A | 12/1999 | Lee et al. | 6,134,807 A | 10/2000 | Komino |
| 6,000,732 A | 12/1999 | Scheler et al. | 6,135,460 A | 10/2000 | Wise et al. |
| 6,001,183 A | 12/1999 | Gurary et al. | 6,137,240 A | 10/2000 | Bogdan |
| 6,001,267 A | 12/1999 | Van Os et al. | 6,139,239 A | 10/2000 | Snijders |
| 6,004,204 A | 12/1999 | Luxton et al. | 6,140,252 A | 10/2000 | Cho et al. |
| D419,652 S | 1/2000 | Hall et al. | 6,143,079 A | 11/2000 | Halpin |
| 6,013,553 A | 1/2000 | Wallace | 6,143,082 A | 11/2000 | McInerney et al. |
| 6,013,920 A | 1/2000 | Gordon et al. | 6,146,463 A | 11/2000 | Yudovsky et al. |
| 6,014,677 A | 1/2000 | Hayashi et al. | 6,148,761 A | 11/2000 | Majewski et al. |
| 6,015,459 A | 1/2000 | Jamison et al. | 6,151,446 A | 11/2000 | Hunter et al. |
| 6,015,465 A | 1/2000 | Kholodenko et al. | 6,152,070 A | 11/2000 | Fairbairn et al. |
| 6,017,779 A | 1/2000 | Miyasaka | 6,156,151 A | 12/2000 | Komino et al. |
| 6,017,818 A | 1/2000 | Lu | 6,158,941 A | 12/2000 | Muka et al. |
| 6,024,799 A | 2/2000 | Chen | 6,160,244 A | 12/2000 | Ohashi |
| 6,027,163 A | 2/2000 | Longenecker et al. | 6,161,500 A | 12/2000 | Kopacz et al. |
| 6,029,602 A | 2/2000 | Bhatnagar | 6,162,323 A | 12/2000 | Koshimizu |
| 6,030,900 A | 2/2000 | Grassi et al. | 6,164,894 A | 12/2000 | Cheng |
| 6,035,101 A | 3/2000 | Sajoto et al. | 6,174,809 B1 | 1/2001 | Kang et al. |
| 6,035,804 A | 3/2000 | Arami et al. | 6,178,918 B1 | 1/2001 | Van Os et al. |
| 6,039,809 A | 3/2000 | Toyama et al. | 6,179,955 B1 | 1/2001 | Shin et al. |
| 6,042,652 A | 3/2000 | Hyun | 6,180,979 B1 | 1/2001 | Hofman et al. |
| 6,044,860 A | 4/2000 | Neu | 6,182,603 B1 | 2/2001 | Shang et al. |
| 6,045,260 A | 4/2000 | Schwartz et al. | 6,183,564 B1 | 2/2001 | Reynolds et al. |
| 6,048,154 A | 4/2000 | Wytman | 6,183,565 B1 | 2/2001 | Granneman et al. |
| 6,050,506 A | 4/2000 | Guo et al. | 6,187,672 B1 | 2/2001 | Zhao et al. |
| 6,053,982 A | 4/2000 | Halpin et al. | 6,187,691 B1 | 2/2001 | Fukuda |
| 6,053,983 A | 4/2000 | Saeki et al. | 6,190,037 B1 | 2/2001 | Das et al. |
| 6,054,013 A | 4/2000 | Collins et al. | 6,190,113 B1 | 2/2001 | Bui et al. |
| 6,054,678 A | 4/2000 | Miyazaki | 6,190,634 B1 | 2/2001 | Lieber et al. |
| 6,060,691 A | 5/2000 | Minami et al. | 6,191,399 B1 | 2/2001 | Van Bilsen |
| 6,060,721 A | 5/2000 | Huang | 6,194,037 B1 | 2/2001 | Terasaki et al. |
| 6,063,196 A | 5/2000 | Li et al. | 6,200,897 B1 | 3/2001 | Wang et al. |
| 6,066,204 A | 5/2000 | Haven | 6,201,999 B1 | 3/2001 | Jevtic |
| | | | 6,203,613 B1 | 3/2001 | Gates et al. |
| | | | 6,203,618 B1 | 3/2001 | Hashizume et al. |
| | | | 6,207,932 B1 | 3/2001 | Yoo |
| | | | 6,207,936 B1 | 3/2001 | de Waard |

(56)

References Cited

U.S. PATENT DOCUMENTS

| | | | | | |
|--------------|---------|--------------------|--------------|---------|------------------|
| 6,209,221 B1 | 4/2001 | Beulens | 6,357,984 B1 | 3/2002 | Zinger et al. |
| 6,210,485 B1 | 4/2001 | Zhao et al. | 6,363,294 B1 | 3/2002 | Coronel et al. |
| 6,212,789 B1 | 4/2001 | Kato | D455,024 S | 4/2002 | Mimick et al. |
| 6,213,708 B1 | 4/2001 | Allen | 6,367,410 B1 | 4/2002 | Leahey et al. |
| 6,214,122 B1 | 4/2001 | Thompson | 6,368,773 B1 | 4/2002 | Jung et al. |
| 6,214,717 B1 | 4/2001 | Yan et al. | 6,368,987 B1 | 4/2002 | Kopacz et al. |
| 6,217,658 B1 | 4/2001 | Orczyk et al. | 6,370,796 B1 | 4/2002 | Zucker |
| 6,218,288 B1 | 4/2001 | Li et al. | 6,372,583 B1 | 4/2002 | Tyagi |
| 6,225,020 B1 | 5/2001 | Jung et al. | 6,374,831 B1 | 4/2002 | Chandran |
| 6,225,602 B1 | 5/2001 | Buijze et al. | 6,375,312 B1 | 4/2002 | Ikeda et al. |
| 6,225,745 B1 | 5/2001 | Srivastava | 6,375,749 B1 | 4/2002 | Boydston et al. |
| 6,230,650 B1 | 5/2001 | Yamazaki | 6,375,750 B1 | 4/2002 | Van Os et al. |
| 6,231,290 B1 | 5/2001 | Kikuchi et al. | 6,379,466 B1 | 4/2002 | Sahin et al. |
| 6,235,858 B1 | 5/2001 | Swamp et al. | D457,609 S | 5/2002 | Piano |
| 6,238,734 B1 | 5/2001 | Senzaki et al. | 6,383,300 B1 | 5/2002 | Saito et al. |
| 6,240,875 B1 | 6/2001 | Wijck et al. | 6,383,566 B1 | 5/2002 | Zagdoun |
| 6,241,822 B1 | 6/2001 | Ide | 6,383,955 B1 | 5/2002 | Matsuki |
| 6,242,359 B1 | 6/2001 | Misra | 6,387,207 B1 | 5/2002 | Janakiraman |
| 6,243,654 B1 | 6/2001 | Johnson et al. | 6,387,827 B1 | 5/2002 | Mertens et al. |
| 6,245,665 B1 | 6/2001 | Yokoyama | 6,390,753 B1 | 5/2002 | de Ridder et al. |
| 6,247,245 B1 | 6/2001 | Ishii | 6,390,754 B2 | 5/2002 | Yamaga et al. |
| 6,250,250 B1 | 6/2001 | Maishev et al. | 6,391,803 B1 | 5/2002 | Kim et al. |
| 6,257,758 B1 | 7/2001 | Culbertson | 6,395,650 B1 | 5/2002 | Callegari et al. |
| 6,261,648 B1 | 7/2001 | Akiba et al. | 6,398,184 B1 | 6/2002 | Sowada et al. |
| 6,264,467 B1 | 7/2001 | Lue et al. | 6,399,022 B1 | 6/2002 | Schuler et al. |
| 6,265,113 B1 | 7/2001 | Rosasco et al. | 6,402,806 B1 | 6/2002 | Schmitt et al. |
| 6,265,311 B1 | 7/2001 | Hautala et al. | 6,410,433 B1 | 6/2002 | Hautala et al. |
| 6,270,572 B1 | 8/2001 | Kim et al. | 6,410,459 B2 | 6/2002 | Blalock et al. |
| 6,271,148 B1 | 8/2001 | Kao | 6,410,463 B1 | 6/2002 | Matsuki |
| 6,274,496 B1 | 8/2001 | Leusink et al. | 6,413,321 B1 | 7/2002 | Kim et al. |
| 6,274,878 B1 | 8/2001 | Li et al. | 6,413,583 B1 | 7/2002 | Moghadam et al. |
| 6,281,098 B1 | 8/2001 | Wang | 6,420,279 B1 | 7/2002 | Ono et al. |
| 6,281,141 B1 | 8/2001 | Das et al. | 6,423,949 B1 | 7/2002 | Chen et al. |
| 6,283,692 B1 | 9/2001 | Perlov et al. | D461,233 S | 8/2002 | Whalen |
| 6,284,050 B1 | 9/2001 | Shi et al. | D461,882 S | 8/2002 | Piano |
| 6,284,149 B1 | 9/2001 | Li et al. | 6,428,859 B1 | 8/2002 | Chiang et al. |
| 6,287,965 B1 | 9/2001 | Kang et al. | 6,429,465 B1 | 8/2002 | Yagi et al. |
| 6,287,988 B1 | 9/2001 | Nagamine et al. | 6,432,206 B1 | 8/2002 | Tolt |
| 6,293,700 B1 | 9/2001 | Lund et al. | 6,432,255 B1 | 8/2002 | Sun et al. |
| D449,873 S | 10/2001 | Bronson | 6,432,479 B2 | 8/2002 | Chang et al. |
| 6,296,710 B1 | 10/2001 | Allen et al. | 6,432,849 B1 | 8/2002 | Endo et al. |
| 6,296,711 B1 | 10/2001 | Loan et al. | 6,433,298 B1 | 8/2002 | Ishii |
| 6,296,909 B1 | 10/2001 | Spitsberg | 6,435,798 B1 | 8/2002 | Satoh |
| 6,297,539 B1 | 10/2001 | Ma et al. | 6,435,865 B1 | 8/2002 | Tseng et al. |
| 6,299,133 B2 | 10/2001 | Waragai et al. | 6,436,819 B1 | 8/2002 | Zhang |
| 6,302,964 B1 | 10/2001 | Umotoy et al. | 6,437,444 B2 | 8/2002 | Andideh |
| 6,303,523 B2 | 10/2001 | Cheung | 6,438,502 B1 | 8/2002 | Awtrey |
| 6,305,898 B1 | 10/2001 | Yamagishi et al. | 6,439,822 B1 | 8/2002 | Kimura et al. |
| 6,311,016 B1 | 10/2001 | Yanagawa et al. | 6,440,261 B1 | 8/2002 | Tepman et al. |
| 6,312,525 B1 | 11/2001 | Bright et al. | 6,441,350 B1 | 8/2002 | Stoddard et al. |
| 6,315,512 B1 | 11/2001 | Tabrizi et al. | 6,445,574 B1 | 9/2002 | Saw et al. |
| 6,316,162 B1 | 11/2001 | Jung et al. | 6,446,573 B2 | 9/2002 | Hirayama et al. |
| 6,316,371 B1 | 11/2001 | Oosterlaken et al. | 6,447,232 B1 | 9/2002 | Davis et al. |
| 6,320,320 B1 | 11/2001 | Bailey et al. | 6,447,651 B1 | 9/2002 | Ishikawa et al. |
| 6,321,680 B2 | 11/2001 | Cook et al. | 6,447,937 B1 | 9/2002 | Murakawa et al. |
| 6,321,780 B1 | 11/2001 | Iwabuchi | 6,448,192 B1 | 9/2002 | Kaushik |
| D451,893 S | 12/2001 | Robson | 6,450,117 B1 | 9/2002 | Muruges h et al. |
| D452,220 S | 12/2001 | Robson | 6,450,757 B1 | 9/2002 | Saeki |
| 6,325,858 B1 | 12/2001 | Wengert | 6,451,713 B1 | 9/2002 | Tay et al. |
| 6,326,322 B1 | 12/2001 | Kim et al. | 6,454,860 B2 | 9/2002 | Metzner et al. |
| 6,326,597 B1 | 12/2001 | Lubomirsky et al. | 6,454,909 B1 | 9/2002 | Matsuse et al. |
| 6,328,561 B1 | 12/2001 | Hasper et al. | 6,455,098 B2 | 9/2002 | Tran et al. |
| 6,329,297 B1 | 12/2001 | Balish | 6,455,225 B1 | 9/2002 | Kong et al. |
| 6,333,275 B1 | 12/2001 | Mayer et al. | 6,455,445 B2 | 9/2002 | Matsuki |
| 6,335,049 B1 | 1/2002 | Basceri | 6,460,482 B1 | 10/2002 | Kuibira et al. |
| 6,335,240 B1 | 1/2002 | Kim et al. | 6,461,435 B1 | 10/2002 | Littau et al. |
| 6,342,427 B1 | 1/2002 | Choi et al. | 6,461,436 B1 | 10/2002 | Campbell et al. |
| 6,343,239 B1 | 1/2002 | Toda et al. | 6,461,439 B1 | 10/2002 | Granneman et al. |
| 6,344,084 B1 | 2/2002 | Koinuma et al. | 6,468,924 B2 | 10/2002 | Lee |
| 6,344,232 B1 | 2/2002 | Jones et al. | 6,471,779 B1 | 10/2002 | Nishio et al. |
| 6,346,419 B1 | 2/2002 | Ryerson et al. | 6,472,266 B1 | 10/2002 | Yu et al. |
| 6,347,636 B1 | 2/2002 | Xia | 6,475,276 B1 | 11/2002 | Elers et al. |
| 6,350,391 B1 | 2/2002 | Livshits et al. | 6,475,930 B1 | 11/2002 | Junker et al. |
| 6,352,049 B1 | 3/2002 | Yin et al. | 6,478,872 B1 | 11/2002 | Chae et al. |
| 6,352,945 B1 | 3/2002 | Matsuki | 6,481,945 B1 | 11/2002 | Hasper et al. |
| | | | 6,482,331 B2 | 11/2002 | Lu et al. |
| | | | 6,482,663 B1 | 11/2002 | Buckland |
| | | | 6,483,989 B1 | 11/2002 | Okada et al. |
| | | | 6,488,774 B1 | 12/2002 | Hone et al. |

(56)

References Cited

U.S. PATENT DOCUMENTS

| | | | | | | | |
|-----------|----|---------|--------------------|-----------|----|---------|--------------------|
| 6,490,493 | B1 | 12/2002 | Dharnipragada | 6,616,986 | B2 | 9/2003 | Sherman |
| 6,492,625 | B1 | 12/2002 | Boguslaskiy et al. | 6,620,251 | B2 | 9/2003 | Kitano |
| 6,494,065 | B2 | 12/2002 | Babbitt | 6,624,064 | B1 | 9/2003 | Sahin |
| 6,494,998 | B1 | 12/2002 | Brcka | 6,627,268 | B1 | 9/2003 | Fair et al. |
| 6,496,819 | B1 | 12/2002 | Bello et al. | 6,627,503 | B2 | 9/2003 | Ma et al. |
| 6,497,734 | B1 | 12/2002 | Barber et al. | 6,630,030 | B1 | 10/2003 | Suntola et al. |
| 6,497,767 | B1 | 12/2002 | Okase et al. | 6,632,478 | B2 | 10/2003 | Gaillard et al. |
| 6,498,091 | B1 | 12/2002 | Chen et al. | 6,633,364 | B2 | 10/2003 | Hayashi |
| 6,499,533 | B2 | 12/2002 | Yamada | 6,635,115 | B1 | 10/2003 | Fairbairn et al. |
| 6,500,487 | B1 | 12/2002 | Holst et al. | 6,635,117 | B1 | 10/2003 | Kinnard et al. |
| 6,502,530 | B1 | 1/2003 | Turlot et al. | 6,635,578 | B1 | 10/2003 | Xu et al. |
| 6,503,079 | B2 | 1/2003 | Kogano et al. | 6,638,839 | B2 | 10/2003 | Deng et al. |
| 6,503,330 | B1 | 1/2003 | Sneh et al. | 6,640,145 | B2 | 10/2003 | Hoffberg et al. |
| 6,503,365 | B1 | 1/2003 | Kim et al. | 6,645,304 | B2 | 11/2003 | Yamaguchi |
| 6,503,562 | B1 | 1/2003 | Saito et al. | 6,648,974 | B1 | 11/2003 | Ogliari et al. |
| 6,503,826 | B1 | 1/2003 | Oda | 6,649,921 | B1 | 11/2003 | Cekic et al. |
| 6,506,009 | B1 | 1/2003 | Nulman et al. | 6,652,924 | B2 | 11/2003 | Sherman |
| 6,506,253 | B2 | 1/2003 | Sakuma | 6,656,281 | B1 | 12/2003 | Ueda |
| 6,507,410 | B1 | 1/2003 | Robertson et al. | 6,656,282 | B2 | 12/2003 | Kim et al. |
| 6,511,539 | B1 | 1/2003 | Raaijmakers | 6,660,662 | B2 | 12/2003 | Ishikawa et al. |
| 6,514,313 | B1 | 2/2003 | Spiegelman | 6,662,817 | B2 | 12/2003 | Yamagishi |
| 6,514,666 | B1 | 2/2003 | Choi et al. | 6,663,332 | B1 | 12/2003 | Sluijk et al. |
| 6,521,295 | B1 | 2/2003 | Remington | 6,673,196 | B1 | 1/2004 | Oyabu |
| 6,521,547 | B1 | 2/2003 | Chang et al. | 6,676,290 | B1 | 1/2004 | Lu |
| 6,527,884 | B1 | 3/2003 | Takakuwa et al. | 6,679,194 | B2 | 1/2004 | Ham et al. |
| 6,528,171 | B1 | 3/2003 | Endler et al. | 6,682,971 | B2 | 1/2004 | Tsuneda et al. |
| 6,528,430 | B2 | 3/2003 | Kwan | 6,682,973 | B1 | 1/2004 | Paton et al. |
| 6,528,752 | B1 | 3/2003 | Ishii et al. | 6,683,274 | B1 | 1/2004 | Kwon et al. |
| 6,528,767 | B2 | 3/2003 | Bagley et al. | D486,891 | S | 2/2004 | Cronce |
| 6,530,994 | B1 | 3/2003 | Mahawili | 6,684,659 | B1 | 2/2004 | Tanaka et al. |
| 6,531,193 | B2 | 3/2003 | Fonash et al. | 6,684,719 | B2 | 2/2004 | Gehner et al. |
| 6,531,412 | B2 | 3/2003 | Conti et al. | 6,686,281 | B2 | 2/2004 | Yamazaki et al. |
| 6,534,133 | B1 | 3/2003 | Kaloyeros et al. | 6,688,784 | B1 | 2/2004 | Templeton |
| 6,534,395 | B2 | 3/2003 | Werkhoven et al. | 6,689,220 | B1 | 2/2004 | Nguyen |
| 6,536,950 | B1 | 3/2003 | Green | 6,692,575 | B1 | 2/2004 | Omstead et al. |
| 6,539,891 | B1 | 4/2003 | Kang et al. | 6,692,576 | B2 | 2/2004 | Halpin et al. |
| 6,540,469 | B2 | 4/2003 | Matsunaga et al. | 6,696,367 | B1 | 2/2004 | Aggarwal |
| 6,540,838 | B2 | 4/2003 | Sneh et al. | 6,699,003 | B2 | 3/2004 | Saeki |
| 6,544,906 | B2 | 4/2003 | Rotondaro et al. | 6,699,399 | B1 | 3/2004 | Qian et al. |
| 6,552,209 | B1 | 4/2003 | Lei et al. | 6,700,089 | B1 | 3/2004 | Hirooka |
| 6,558,517 | B2 | 5/2003 | Basceri | 6,709,989 | B2 | 3/2004 | Ramdani et al. |
| 6,558,755 | B2 | 5/2003 | Berry et al. | 6,710,364 | B2 | 3/2004 | Guldi et al. |
| 6,559,026 | B1 | 5/2003 | Rossman et al. | 6,710,857 | B2 | 3/2004 | Kondo |
| 6,562,094 | B2 | 5/2003 | Denker et al. | 6,713,824 | B1 | 3/2004 | Mikata |
| 6,565,763 | B1 | 5/2003 | Asakawa et al. | 6,715,949 | B1 | 4/2004 | Fisher et al. |
| 6,566,278 | B1 | 5/2003 | Harvey et al. | 6,716,571 | B2 | 4/2004 | Gabriel |
| 6,569,239 | B2 | 5/2003 | Arai et al. | 6,719,499 | B1 | 4/2004 | Kuznetsov et al. |
| 6,569,971 | B2 | 5/2003 | Roh et al. | 6,720,260 | B1 | 4/2004 | Fair et al. |
| 6,573,030 | B1 | 6/2003 | Fairbairn et al. | 6,720,531 | B1 | 4/2004 | Jacobson et al. |
| 6,574,644 | B2 | 6/2003 | Hsu et al. | 6,722,837 | B2 | 4/2004 | Inui |
| 6,576,062 | B2 | 6/2003 | Matsuse | 6,723,642 | B1 | 4/2004 | Lim et al. |
| 6,576,064 | B2 | 6/2003 | Griffiths et al. | 6,730,614 | B1 | 5/2004 | Lim et al. |
| 6,576,300 | B1 | 6/2003 | Berry et al. | 6,732,006 | B2 | 5/2004 | Haanstra et al. |
| 6,576,564 | B2 | 6/2003 | Agarwal | 6,734,090 | B2 | 5/2004 | Agarwala et al. |
| 6,578,589 | B1 | 6/2003 | Mayusumi | 6,734,631 | B2 | 5/2004 | Juestel et al. |
| 6,579,833 | B1 | 6/2003 | McNallan et al. | 6,737,716 | B1 | 5/2004 | Matsuo et al. |
| 6,580,050 | B1 | 6/2003 | Miller et al. | 6,740,853 | B1 | 5/2004 | Johnson et al. |
| 6,582,174 | B1 | 6/2003 | Hayashi | 6,743,475 | B2 | 6/2004 | Skarp et al. |
| 6,583,048 | B1 | 6/2003 | Vincent et al. | 6,743,738 | B2 | 6/2004 | Todd et al. |
| 6,583,572 | B2 | 6/2003 | Veltrop et al. | 6,745,095 | B1 | 6/2004 | Ben-Dov |
| 6,587,108 | B1 | 7/2003 | Guerlain et al. | 6,746,240 | B2 | 6/2004 | de Ridder et al. |
| 6,589,352 | B1 | 7/2003 | Yudovsky et al. | 6,746,308 | B1 | 6/2004 | Bode et al. |
| 6,589,707 | B2 | 7/2003 | Lee et al. | 6,749,671 | B2 | 6/2004 | Holst et al. |
| 6,589,868 | B2 | 7/2003 | Rossman | 6,753,507 | B2 | 6/2004 | Fure et al. |
| 6,590,251 | B2 | 7/2003 | Kang et al. | 6,755,221 | B2 | 6/2004 | Jeong et al. |
| 6,594,550 | B1 | 7/2003 | Okrah | 6,756,085 | B2 | 6/2004 | Waklfried |
| 6,596,653 | B2 | 7/2003 | Tan | 6,756,293 | B2 | 6/2004 | Li et al. |
| 6,598,559 | B1 | 7/2003 | Vellore et al. | 6,756,318 | B2 | 6/2004 | Nguyen et al. |
| 6,602,806 | B1 | 8/2003 | Xia et al. | 6,759,098 | B2 | 7/2004 | Han |
| 6,607,602 | B1 | 8/2003 | Granneman et al. | 6,760,981 | B2 | 7/2004 | Leap |
| 6,607,868 | B2 | 8/2003 | Choi | 6,767,447 | B2 | 7/2004 | Uno et al. |
| 6,607,948 | B1 | 8/2003 | Sugiyama et al. | D494,552 | S | 8/2004 | Tezuka et al. |
| 6,608,745 | B2 | 8/2003 | Tsuruta et al. | 6,780,704 | B1 | 8/2004 | Raaijmakers et al. |
| 6,610,375 | B2 | 8/2003 | Akiba et al. | 6,783,875 | B2 | 8/2004 | Yamada et al. |
| 6,613,685 | B1 | 9/2003 | Granneman et al. | 6,784,033 | B1 | 8/2004 | Yamazaki |
| | | | | 6,784,108 | B1 | 8/2004 | Donohoe et al. |
| | | | | D496,008 | S | 9/2004 | Takahashi et al. |
| | | | | 6,786,997 | B1 | 9/2004 | Yamazaki |
| | | | | D497,977 | S | 11/2004 | Engelbrektsson |

(56)

References Cited

U.S. PATENT DOCUMENTS

| | | | | | |
|--------------|---------|--------------------------|--------------|---------|----------------------|
| 6,811,960 B2 | 11/2004 | Lee et al. | 6,955,836 B2 | 10/2005 | Kumagai et al. |
| 6,812,157 B1 | 11/2004 | Gadgil | 6,955,928 B1 | 10/2005 | Brennan |
| 6,815,350 B2 | 11/2004 | Kim et al. | 6,963,052 B2 | 11/2005 | Kuibira et al. |
| 6,815,352 B1 | 11/2004 | Tamura et al. | 6,972,055 B2 | 12/2005 | Sferlazzo |
| 6,818,864 B2 | 11/2004 | Ptak | 6,972,478 B1 | 12/2005 | Waite et al. |
| 6,820,570 B2 | 11/2004 | Kilpela et al. | 6,974,781 B2 | 12/2005 | Timmermans et al. |
| 6,821,910 B2 | 11/2004 | Adomaitis et al. | 6,975,921 B2 | 12/2005 | Verhaar |
| 6,824,665 B2 | 11/2004 | Shelnut et al. | 6,976,822 B2 | 12/2005 | Woodruff |
| 6,825,134 B2 | 11/2004 | Law et al. | 6,981,832 B2 | 1/2006 | Zinger et al. |
| D499,620 S | 12/2004 | Horner-Richardson et al. | 6,982,046 B2 | 1/2006 | Srivastava et al. |
| 6,827,789 B2 | 12/2004 | Lee et al. | 6,982,103 B2 | 1/2006 | Basceri et al. |
| 6,828,235 B2 | 12/2004 | Takano | 6,984,591 B1 | 1/2006 | Buchanan et al. |
| 6,831,004 B2 | 12/2004 | Byun | 6,984,595 B1 | 1/2006 | Yamazaki |
| 6,833,024 B2 | 12/2004 | Holst et al. | 6,985,788 B2 | 1/2006 | Haanstra et al. |
| 6,835,039 B2 | 12/2004 | Van Den Berg | 6,986,914 B2 | 1/2006 | Elers et al. |
| 6,838,122 B2 | 1/2005 | Basceri et al. | 6,987,155 B2 | 1/2006 | Roh et al. |
| 6,841,201 B2 | 1/2005 | Shanov et al. | 6,990,430 B2 | 1/2006 | Hosek |
| 6,843,202 B2 | 1/2005 | Kusuda | 7,005,227 B2 | 2/2006 | Yueh et al. |
| 6,846,146 B2 | 1/2005 | Inui | 7,005,391 B2 | 2/2006 | Min |
| 6,846,515 B2 | 1/2005 | Vrtis | 7,008,879 B2 | 3/2006 | Lee et al. |
| 6,846,742 B2 | 1/2005 | Rossmann | 7,010,580 B1 | 3/2006 | Fu et al. |
| 6,847,014 B1 | 1/2005 | Benjamin et al. | 7,017,514 B1 | 3/2006 | Shepherd et al. |
| 6,849,857 B2 | 2/2005 | Ichiki et al. | 7,018,941 B2 | 3/2006 | Cui et al. |
| 6,858,524 B2 | 2/2005 | Haukka et al. | 7,021,330 B2 | 4/2006 | Maula et al. |
| 6,858,547 B2 | 2/2005 | Metzner | 7,021,881 B2 | 4/2006 | Yamagishi |
| 6,861,642 B2 | 3/2005 | Ichiki et al. | 7,036,453 B2 | 5/2006 | Ishikawa et al. |
| 6,863,019 B2 | 3/2005 | Shamouilian | 7,041,609 B2 | 5/2006 | Vaartstra |
| 6,863,281 B2 | 3/2005 | Endou et al. | 7,045,430 B2 | 5/2006 | Ahn et al. |
| 6,864,041 B2 | 3/2005 | Brown | 7,049,226 B2 | 5/2006 | Chung et al. |
| 6,867,859 B1 | 3/2005 | Powell | 7,049,247 B2 | 5/2006 | Gates et al. |
| 6,872,258 B2 | 3/2005 | Park et al. | 7,052,584 B2 | 5/2006 | Basceri |
| 6,872,259 B2 | 3/2005 | Strang | 7,053,009 B2 | 5/2006 | Conley, Jr. et al. |
| D504,142 S | 4/2005 | Horner-Richardson et al. | 7,055,263 B2 | 6/2006 | Wu et al. |
| 6,874,247 B1 | 4/2005 | Hsu | 7,055,875 B2 | 6/2006 | Bonora |
| 6,874,480 B1 | 4/2005 | Ismailov | 7,062,161 B2 | 6/2006 | Kusuda et al. |
| 6,875,477 B2 | 4/2005 | Trickett et al. | 7,070,178 B2 | 7/2006 | Van Der Toorn et al. |
| 6,875,677 B1 | 4/2005 | Conley, Jr. et al. | 7,071,051 B1 | 7/2006 | Jeon et al. |
| 6,876,017 B2 | 4/2005 | Goodner | 7,073,834 B2 | 7/2006 | Matsumoto et al. |
| 6,876,191 B2 | 4/2005 | de Ridder | 7,074,690 B1 | 7/2006 | Gauri et al. |
| 6,878,206 B2 | 4/2005 | Tzu et al. | 7,077,614 B1 | 7/2006 | Hasper et al. |
| 6,878,402 B2 | 4/2005 | Chiang et al. | 7,080,545 B2 | 7/2006 | Dimeo et al. |
| 6,883,733 B1 | 4/2005 | Lind | 7,084,060 B1 | 8/2006 | Furukawa |
| 6,884,066 B2 | 4/2005 | Nguyen et al. | 7,084,079 B2 | 8/2006 | Conti et al. |
| 6,884,295 B2 | 4/2005 | Ishii | 7,085,623 B2 | 8/2006 | Siegers |
| 6,884,319 B2 | 4/2005 | Kim | 7,086,347 B2 | 8/2006 | Howald et al. |
| 6,884,475 B2 | 4/2005 | Basceri | 7,088,003 B2 | 8/2006 | Gates et al. |
| D505,590 S | 5/2005 | Greiner | 7,090,394 B2 | 8/2006 | Hashikura et al. |
| 6,889,211 B1 | 5/2005 | Yoshiura et al. | 7,092,287 B2 | 8/2006 | Beulens et al. |
| 6,889,864 B2 | 5/2005 | Lincifors et al. | 7,098,149 B2 | 8/2006 | Lukas |
| 6,890,596 B2 | 5/2005 | Sarigiannis et al. | 7,098,150 B2 | 8/2006 | Misra et al. |
| 6,895,158 B2 | 5/2005 | Alyward et al. | 7,100,459 B2 | 9/2006 | Gehner et al. |
| 6,899,507 B2 | 5/2005 | Yamagishi et al. | 7,101,763 B1 | 9/2006 | Anderson et al. |
| 6,902,395 B2 | 6/2005 | Oosterlaken et al. | 7,108,753 B2 | 9/2006 | Wood |
| 6,909,839 B2 | 6/2005 | Wang et al. | 7,109,098 B1 | 9/2006 | Ramaswamy et al. |
| 6,911,092 B2 | 6/2005 | Sneh | 7,109,114 B2 | 9/2006 | Chen et al. |
| 6,913,152 B2 | 7/2005 | Zuk | 7,111,232 B1 | 9/2006 | Bascom |
| 6,913,796 B2 | 7/2005 | Albano et al. | 7,115,305 B2 | 10/2006 | Bronikowski et al. |
| 6,916,398 B2 | 7/2005 | Chen et al. | 7,115,838 B2 | 10/2006 | Kurara et al. |
| 6,916,559 B2 | 7/2005 | Murakawa et al. | 7,122,085 B2 | 10/2006 | Shero et al. |
| 6,917,755 B2 | 7/2005 | Nguyen et al. | 7,122,222 B2 | 10/2006 | Xiao et al. |
| 6,924,078 B2 | 8/2005 | Lee et al. | 7,129,165 B2 | 10/2006 | Basol et al. |
| 6,928,890 B2 | 8/2005 | Gehner et al. | 7,132,360 B2 | 11/2006 | Schaeffer et al. |
| 6,929,699 B2 | 8/2005 | Whitesell | 7,135,421 B2 | 11/2006 | Ahn et al. |
| 6,929,700 B2 | 8/2005 | Tan et al. | 7,140,558 B2 | 11/2006 | McCracken et al. |
| 6,930,041 B2 | 8/2005 | Agarwal | 7,141,499 B2 | 11/2006 | Raaijmakers |
| 6,930,059 B2 | 8/2005 | Conley, Jr. et al. | 7,143,897 B1 | 12/2006 | Guzman et al. |
| 6,935,269 B2 | 8/2005 | Lee et al. | 7,144,809 B2 | 12/2006 | Elers et al. |
| 6,939,579 B2 | 9/2005 | Bondestam et al. | 7,147,766 B2 | 12/2006 | Uzoh et al. |
| 6,939,817 B2 | 9/2005 | Sandhu et al. | 7,153,542 B2 | 12/2006 | Nguyen et al. |
| 6,942,753 B2 | 9/2005 | Choi et al. | 7,156,380 B2 | 1/2007 | Soininen |
| 6,949,204 B1 | 9/2005 | Lenz et al. | 7,163,393 B2 | 1/2007 | Adachi et al. |
| 6,951,587 B1 | 10/2005 | Narushima | 7,163,721 B2 | 1/2007 | Zhang et al. |
| 6,952,656 B1 | 10/2005 | Cordova et al. | 7,163,900 B2 | 1/2007 | Weber |
| 6,953,609 B2 | 10/2005 | Carollo | 7,168,852 B2 | 1/2007 | Linnarsson |
| 6,955,741 B2 | 10/2005 | Yamagishi | 7,172,497 B2 | 2/2007 | Basol et al. |
| | | | 7,173,216 B2 | 2/2007 | Ptak |
| | | | 7,183,229 B2 | 2/2007 | Yamanaka |
| | | | 7,186,648 B1 | 3/2007 | Rozbicki |
| | | | 7,192,824 B2 | 3/2007 | Ahn et al. |

(56)

References Cited

U.S. PATENT DOCUMENTS

| | | | | | |
|--------------|---------|---------------------|--------------|---------|-------------------------|
| 7,192,892 B2 | 3/2007 | Ahn et al. | 7,393,765 B2 | 7/2008 | Hanawa et al. |
| 7,195,479 B2 | 3/2007 | Beatty et al. | 7,396,491 B2 | 7/2008 | Marking et al. |
| 7,195,693 B2 | 3/2007 | Cowans | 7,399,388 B2 | 7/2008 | Moghadam et al. |
| D541,125 S | 4/2007 | Gaudron | 7,399,570 B2 | 7/2008 | Lee et al. |
| 7,198,447 B2 | 4/2007 | Morimitsu et al. | 7,402,534 B2 | 7/2008 | Mahajani |
| 7,199,513 B2 | 4/2007 | Huber et al. | 7,405,166 B2 | 7/2008 | Liang et al. |
| 7,201,943 B2 | 4/2007 | Park et al. | 7,405,454 B2 | 7/2008 | Aim et al. |
| 7,202,148 B2 | 4/2007 | Chen et al. | D575,713 S | 8/2008 | Ratcliffe |
| 7,202,512 B2 | 4/2007 | Chen et al. | 7,408,225 B2 | 8/2008 | Shinriki et al. |
| 7,204,886 B2 | 4/2007 | Chen et al. | 7,410,290 B2 | 8/2008 | Tanaka |
| 7,204,887 B2 | 4/2007 | Kawamura et al. | 7,410,666 B2 | 8/2008 | Elers |
| 7,205,246 B2 | 4/2007 | MacNeil et al. | 7,411,352 B2 | 8/2008 | Madocks |
| 7,205,247 B2 | 4/2007 | Lee et al. | 7,414,281 B1 | 8/2008 | Fastow |
| 7,207,763 B2 | 4/2007 | Lee | D576,001 S | 9/2008 | Brunderman |
| 7,208,198 B2 | 4/2007 | Basceri et al. | 7,422,635 B2 | 9/2008 | Zheng et al. |
| 7,208,389 B1 | 4/2007 | Tipton et al. | 7,422,636 B2 | 9/2008 | Ishizaka |
| 7,210,925 B2 | 5/2007 | Adachi | 7,422,653 B2 | 9/2008 | Blahnik et al. |
| 7,211,524 B2 | 5/2007 | Ryu et al. | 7,422,775 B2 | 9/2008 | Ramaswamy et al. |
| 7,211,525 B1 | 5/2007 | Shanker | 7,425,224 B2 | 9/2008 | Nguyen |
| 7,214,630 B1 | 5/2007 | Varadarajan et al. | 7,427,571 B2 | 9/2008 | Lindeboom et al. |
| 7,217,617 B2 | 5/2007 | Basceri | 7,429,532 B2 | 9/2008 | Ramaswamy et al. |
| 7,223,014 B2 | 5/2007 | Lojen | 7,431,966 B2 | 10/2008 | Derderian et al. |
| 7,208,413 B2 | 6/2007 | Byun et al. | 7,432,476 B2 | 10/2008 | Morita et al. |
| 7,234,476 B2 | 6/2007 | Arai | 7,437,060 B2 | 10/2008 | Wang et al. |
| 7,235,137 B2 | 6/2007 | Kitayama et al. | 7,442,275 B2 | 10/2008 | Cowans |
| 7,235,482 B2 | 6/2007 | Wu | 7,456,429 B2 | 11/2008 | Levy |
| 7,235,501 B2 | 6/2007 | Ahn et al. | D582,342 S * | 12/2008 | Chen C23C 16/4412 |
| 7,238,596 B2 | 7/2007 | Kouvetakis et al. | | | D13/118 |
| 7,238,616 B2 | 7/2007 | Agarwal | D583,395 S | 12/2008 | Ueda |
| 7,238,653 B2 | 7/2007 | Lee et al. | 7,467,632 B2 | 12/2008 | Lee et al. |
| 7,256,375 B2 | 8/2007 | Oosterlaken | 7,473,655 B2 | 1/2009 | Wang et al. |
| 7,265,061 B1 | 9/2007 | Cho et al. | 7,475,588 B2 | 1/2009 | Dimeo et al. |
| 7,274,867 B2 | 9/2007 | Peukert | 7,476,291 B2 | 1/2009 | Wang et al. |
| D553,104 S | 10/2007 | Oohashi et al. | 7,479,198 B2 | 1/2009 | Guffrey |
| 7,279,256 B2 | 10/2007 | Son | 7,482,247 B1 | 1/2009 | Papasouliotis |
| 7,290,813 B2 | 11/2007 | Bonora | 7,482,283 B2 | 1/2009 | Yamasaki et al. |
| 7,294,581 B2 | 11/2007 | Haverkort et al. | D585,968 S | 2/2009 | Elkins et al. |
| 7,296,460 B2 | 11/2007 | Dimeo et al. | 7,489,389 B2 | 2/2009 | Shibazaki et al. |
| 7,297,641 B2 | 11/2007 | Todd et al. | 7,494,882 B2 | 2/2009 | Vitale |
| 7,298,009 B2 | 11/2007 | Yan et al. | 7,497,614 B2 | 3/2009 | Gaff |
| 7,301,623 B1 | 11/2007 | Madsen et al. | 7,498,242 B2 | 3/2009 | Kumar et al. |
| D556,704 S | 12/2007 | Nakamura et al. | 7,501,292 B2 | 3/2009 | Matsushita et al. |
| D557,226 S | 12/2007 | Uchino et al. | 7,501,355 B2 | 3/2009 | Bhatia et al. |
| D558,021 S | 12/2007 | Lawrence | 7,503,980 B2 | 3/2009 | Kida et al. |
| 7,307,028 B2 | 12/2007 | Goto et al. | 7,504,344 B2 | 3/2009 | Matsuki et al. |
| 7,307,178 B2 | 12/2007 | Kiyomori et al. | D590,933 S | 4/2009 | Vansell |
| 7,312,148 B2 | 12/2007 | Ramaswamy et al. | 7,514,058 B1 | 4/2009 | Hitzman et al. |
| 7,312,162 B2 | 12/2007 | Ramaswamy et al. | 7,514,375 B1 | 4/2009 | Shanker et al. |
| 7,312,494 B2 | 12/2007 | Ahn et al. | D593,585 S | 6/2009 | Ota et al. |
| D559,993 S | 1/2008 | Nagakubo et al. | D593,969 S | 6/2009 | Li |
| D559,994 S | 1/2008 | Nagakubo et al. | 7,541,297 B2 | 6/2009 | Mallick et al. |
| 7,320,544 B2 | 1/2008 | Hsieh | 7,544,398 B1 | 6/2009 | Chang et al. |
| 7,323,401 B2 | 1/2008 | Ramaswamy et al. | 7,547,363 B2 | 6/2009 | Tomiyasu et al. |
| 7,326,656 B2 | 2/2008 | Brask et al. | 7,547,633 B2 | 6/2009 | Ranish et al. |
| 7,326,657 B2 | 2/2008 | Xia et al. | 7,550,396 B2 | 6/2009 | Frohberg et al. |
| 7,327,948 B1 | 2/2008 | Shrinivasan | D596,476 S | 7/2009 | Welch |
| 7,329,947 B2 | 2/2008 | Adachi et al. | 7,561,982 B2 | 7/2009 | Ruud et al. |
| 7,335,611 B2 | 2/2008 | Ramaswamy et al. | 7,563,715 B2 | 7/2009 | Haukka et al. |
| 7,351,057 B2 | 4/2008 | Berenbak et al. | 7,566,891 B2 | 7/2009 | Rocha-Alvarez et al. |
| 7,354,847 B2 | 4/2008 | Chan et al. | 7,569,193 B2 | 8/2009 | Ferron et al. |
| 7,354,873 B2 | 4/2008 | Fukazawa et al. | 7,575,968 B2 | 8/2009 | Sadaka et al. |
| 7,356,762 B2 | 4/2008 | van Driel | 7,579,285 B2 | 8/2009 | Zimmerman et al. |
| 7,357,138 B2 | 4/2008 | Ji et al. | 7,579,785 B2 | 8/2009 | Shinmen et al. |
| 7,361,447 B2 | 4/2008 | Jung | D600,223 S | 9/2009 | Aggarwal |
| 7,375,035 B2 | 5/2008 | Heden et al. | 7,582,555 B1 | 9/2009 | Lang |
| 7,376,520 B2 | 5/2008 | Wong | 7,582,575 B2 | 9/2009 | Fukazawa et al. |
| 7,378,618 B1 | 5/2008 | Sorabji et al. | 7,589,003 B2 | 9/2009 | Kouvetakis et al. |
| 7,379,785 B2 | 5/2008 | Higashi et al. | 7,589,028 B1 | 9/2009 | Cho et al. |
| D571,383 S | 6/2008 | Ota et al. | 7,589,029 B2 | 9/2009 | Derderian et al. |
| D571,831 S | 6/2008 | Ota et al. | 7,591,601 B2 | 9/2009 | Matsuoka et al. |
| 7,381,644 B1 | 6/2008 | Soubramonium et al. | 7,591,907 B2 | 9/2009 | Chen et al. |
| 7,387,685 B2 | 6/2008 | Choi et al. | D602,575 S | 10/2009 | Breda |
| 7,393,207 B2 | 7/2008 | Imai | 7,598,513 B2 | 10/2009 | Kouvetakis et al. |
| 7,393,418 B2 | 7/2008 | Yokogawa | 7,601,223 B2 | 10/2009 | Linclfors et al. |
| 7,393,736 B2 | 7/2008 | Ahn et al. | 7,601,225 B2 | 10/2009 | Tuominen et al. |
| | | | 7,601,652 B2 | 10/2009 | Singh et al. |
| | | | 7,611,640 B1 | 11/2009 | Howald et al. |
| | | | 7,611,751 B2 | 11/2009 | Elers |
| | | | 7,611,980 B2 | 11/2009 | Wells et al. |

(56)

References Cited

U.S. PATENT DOCUMENTS

| | | | | | | | |
|-----------|----|---------|--------------------|-----------|----|---------|-------------------------|
| 7,618,226 | B2 | 11/2009 | Takizawa | D625,977 | S | 10/2010 | Watson et al. |
| 7,621,672 | B2 | 11/2009 | Ripley | 7,795,160 | B2 | 10/2010 | Wang et al. |
| 7,622,369 | B1 | 11/2009 | Lee et al. | 7,806,587 | B2 | 10/2010 | Kobayashi |
| 7,622,378 | B2 | 11/2009 | Liu et al. | 7,807,566 | B2 | 10/2010 | Tsuji et al. |
| 7,623,940 | B2 | 11/2009 | Huskamp et al. | 7,807,578 | B2 | 10/2010 | Bencher et al. |
| D606,952 | S | 12/2009 | Lee | 7,816,278 | B2 | 10/2010 | Reed et al. |
| 7,625,820 | B1 | 12/2009 | Papasouliotis | 7,824,492 | B2 | 11/2010 | Tois et al. |
| 7,629,277 | B2 | 12/2009 | Ghatnagar | 7,825,040 | B1 | 11/2010 | Fukazawa et al. |
| 7,632,549 | B2 | 12/2009 | Goundar | 7,829,460 | B2 | 11/2010 | Streck et al. |
| 7,638,951 | B2 | 12/2009 | DeVincentis et al. | 7,833,348 | B2 | 11/2010 | Wada et al. |
| 7,640,142 | B2 | 12/2009 | Tachikawa et al. | 7,833,353 | B2 | 11/2010 | Furukawahara et al. |
| 7,645,341 | B2 | 1/2010 | Kennedy et al. | 7,838,084 | B2 | 11/2010 | Derderian et al. |
| 7,645,484 | B2 | 1/2010 | Ishizaka | 7,842,518 | B2 | 11/2010 | Miyajima |
| 7,648,895 | B2 | 1/2010 | Kurokawa et al. | 7,842,622 | B1 | 11/2010 | Lee et al. |
| 7,648,927 | B2 | 1/2010 | Singh et al. | D629,874 | S | 12/2010 | Hermans |
| 7,651,269 | B2 | 1/2010 | Comendant | 7,850,449 | B2 | 12/2010 | Yang et al. |
| 7,651,583 | B2 | 1/2010 | Kent et al. | 7,851,019 | B2 | 12/2010 | Tuominen et al. |
| 7,651,955 | B2 | 1/2010 | Ranish et al. | 7,851,232 | B2 | 12/2010 | van Schravendijk et al. |
| 7,651,959 | B2 | 1/2010 | Fukazawa et al. | 7,858,519 | B2 | 12/2010 | Liu et al. |
| 7,651,961 | B2 | 1/2010 | Clark | 7,858,533 | B2 | 12/2010 | Liu et al. |
| D609,652 | S | 2/2010 | Nagasaka | 7,865,070 | B2 | 1/2011 | Nakamura |
| D609,655 | S | 2/2010 | Sugimoto | 7,871,198 | B2 | 1/2011 | Rempe et al. |
| 7,661,299 | B2 | 2/2010 | Kusunoki | 7,874,726 | B2 | 1/2011 | Jacobs et al. |
| 7,670,432 | B2 | 3/2010 | Li | 7,884,918 | B2 | 2/2011 | Hattori |
| 7,674,726 | B2 | 3/2010 | Hasper et al. | 7,888,233 | B1 | 2/2011 | Gauri |
| 7,678,197 | B2 | 3/2010 | Maki | 7,894,474 | B1 | 2/2011 | Bell |
| 7,678,715 | B2 | 3/2010 | Mungekar et al. | D634,329 | S | 3/2011 | Wastrom |
| 7,682,454 | B2 | 3/2010 | Sneh | D634,719 | S | 3/2011 | Yasuda et al. |
| 7,682,657 | B2 | 3/2010 | Sherman | 7,897,215 | B1 | 3/2011 | Fair et al. |
| D613,829 | S | 4/2010 | Griffin et al. | 7,897,217 | B2 | 3/2011 | Faguet |
| D614,153 | S | 4/2010 | Fondurulia et al. | 7,902,009 | B2 | 3/2011 | Simonelli et al. |
| D614,267 | S | 4/2010 | Breda | 7,902,582 | B2 | 3/2011 | Forbes et al. |
| D614,268 | S | 4/2010 | Breda | 7,906,174 | B1 | 3/2011 | Wu et al. |
| D614,593 | S | 4/2010 | Lee | 7,910,288 | B2 | 3/2011 | Abatchev et al. |
| 7,690,881 | B2 | 4/2010 | Yamagishi | 7,910,494 | B2 | 3/2011 | Dip et al. |
| 7,691,205 | B2 | 4/2010 | Ikedo | 7,915,139 | B1 | 3/2011 | Lang |
| 7,692,171 | B2 | 4/2010 | Kaszuba et al. | 7,915,667 | B2 | 3/2011 | Knoefler et al. |
| 7,695,808 | B2 | 4/2010 | Tuma | 7,919,142 | B2 | 4/2011 | Yeom et al. |
| D616,390 | S | 5/2010 | Sato | 7,919,416 | B2 | 4/2011 | Lee et al. |
| D616,394 | S | 5/2010 | Sato | 7,923,382 | B2 | 4/2011 | Huotari et al. |
| 7,712,435 | B2 | 5/2010 | Yoshizaki et al. | 7,925,378 | B2 | 4/2011 | Gilchrist et al. |
| 7,713,874 | B2 | 5/2010 | Milligan | 7,935,940 | B1 | 5/2011 | Smargiassi |
| 7,716,993 | B2 | 5/2010 | Ozawa et al. | 7,939,447 | B2 | 5/2011 | Bauer et al. |
| 7,718,930 | B2 | 5/2010 | Kawasaki et al. | 7,942,969 | B2 | 5/2011 | Riker et al. |
| 7,720,560 | B2 | 5/2010 | Menser et al. | 7,946,762 | B2 | 5/2011 | Yednak |
| 7,723,648 | B2 | 5/2010 | Tsukamoto et al. | 7,951,262 | B2 | 5/2011 | Koshiishi et al. |
| 7,725,012 | B2 | 5/2010 | Aggarwal et al. | 7,955,516 | B2 | 6/2011 | Chandrachood et al. |
| 7,727,864 | B2 | 6/2010 | Elers | 7,955,646 | B2 | 6/2011 | Cruse et al. |
| 7,732,343 | B2 | 6/2010 | Niroomand et al. | 7,955,650 | B2 | 6/2011 | Tsuji |
| 7,736,437 | B2 | 6/2010 | Cadwell et al. | 7,957,708 | B2 | 6/2011 | Karschnia et al. |
| 7,736,528 | B2 | 6/2010 | Okita et al. | 7,963,736 | B2 | 6/2011 | Takizawa et al. |
| 7,736,600 | B2 | 6/2010 | Clark et al. | 7,967,913 | B2 | 6/2011 | Hua et al. |
| 7,737,035 | B1 | 6/2010 | Lind et al. | 7,972,980 | B2 | 7/2011 | Lee et al. |
| 7,740,437 | B2 | 6/2010 | de Ridder et al. | 7,977,256 | B2 | 7/2011 | Liu et al. |
| 7,740,705 | B2 | 6/2010 | Li | 7,981,751 | B2 | 7/2011 | Zhu et al. |
| 7,745,346 | B2 | 6/2010 | Hausmann et al. | D643,055 | S | 8/2011 | Takahashi |
| 7,748,760 | B2 | 7/2010 | Kushida | 7,989,365 | B2 | 8/2011 | Park et al. |
| 7,749,563 | B2 | 7/2010 | Zheng et al. | 7,989,736 | B2 | 8/2011 | Park et al. |
| 7,753,584 | B2 | 7/2010 | Gambino et al. | 7,992,318 | B2 | 8/2011 | Kawaji |
| 7,754,621 | B2 | 7/2010 | Putjkonen | 7,993,457 | B1 | 8/2011 | Krotov et al. |
| 7,758,698 | B2 | 7/2010 | Bang et al. | 7,994,070 | B1 | 8/2011 | Dip et al. |
| 7,763,869 | B2 | 7/2010 | Matsushita et al. | 7,994,721 | B2 | 8/2011 | Espiau et al. |
| 7,767,262 | B2 | 8/2010 | Clark | 7,997,795 | B2 | 8/2011 | Schwagerman et al. |
| 7,771,796 | B2 | 8/2010 | Kohno et al. | 7,998,875 | B2 | 8/2011 | DeYoung |
| 7,780,440 | B2 | 8/2010 | Shibagaki et al. | 8,003,174 | B2 | 8/2011 | Fukazawa |
| 7,780,789 | B2 | 8/2010 | Wu et al. | 8,003,919 | B2 | 8/2011 | Goto et al. |
| 7,781,352 | B2 | 8/2010 | Fukazawa et al. | 8,004,198 | B2 | 8/2011 | Bakre et al. |
| 7,789,559 | B2 | 9/2010 | Waser et al. | 8,020,315 | B2 | 9/2011 | Nishimura |
| 7,789,965 | B2 | 9/2010 | Matsushita et al. | 8,030,129 | B2 | 10/2011 | Jeong |
| 7,790,633 | B1 | 9/2010 | Tarafdar et al. | 8,033,771 | B1 | 10/2011 | Gage et al. |
| 7,794,546 | B2 | 9/2010 | Li | 8,038,835 | B2 | 10/2011 | Hayashi et al. |
| 7,798,096 | B2 | 9/2010 | Mahajani et al. | 8,041,197 | B2 | 10/2011 | Kasai et al. |
| 7,799,300 | B2 | 9/2010 | Lindfors et al. | 8,041,450 | B2 | 10/2011 | Takizawa et al. |
| 7,799,706 | B2 | 9/2010 | Yeom et al. | 8,043,972 | B1 | 10/2011 | Liu et al. |
| 7,803,722 | B2 | 9/2010 | Liang | 8,046,193 | B2 | 10/2011 | Yetter et al. |
| | | | | 8,047,711 | B2 | 11/2011 | Ploechinger |
| | | | | 8,048,783 | B2 | 11/2011 | Chung et al. |
| | | | | 8,051,799 | B2 | 11/2011 | Itagaki et al. |
| | | | | 8,052,794 | B2 | 11/2011 | Sumakeris et al. |

(56)

References Cited

U.S. PATENT DOCUMENTS

| | | | | | |
|--------------|---------|---------------------|--------------|---------|--------------------|
| 8,055,378 B2 | 11/2011 | Numakura | 8,298,336 B2 | 10/2012 | Wang et al. |
| 8,060,252 B2 | 11/2011 | Gage et al. | 8,298,951 B1 | 10/2012 | Nakano |
| 8,083,853 B2 | 11/2011 | Choi et al. | 8,307,472 B1 | 11/2012 | Saxon et al. |
| RE43,023 E | 12/2011 | Nakashima et al. | 8,309,173 B2 | 11/2012 | Tuominen et al. |
| D649,986 S | 12/2011 | Fujikata et al. | 8,318,327 B2 | 11/2012 | O'Donnell |
| D651,291 S | 12/2011 | Liebson et al. | 8,323,413 B2 | 12/2012 | Son |
| 8,071,451 B2 | 12/2011 | Berry | 8,324,699 B2 | 12/2012 | Ichijo et al. |
| 8,071,452 B2 | 12/2011 | Raisanen | 8,328,939 B2 | 12/2012 | Choi et al. |
| 8,072,578 B2 | 12/2011 | Yasuda et al. | 8,329,599 B2 | 12/2012 | Fukazawa et al. |
| 8,076,230 B2 | 12/2011 | Wei | 8,333,839 B2 | 12/2012 | Oh |
| 8,076,237 B2 | 12/2011 | Uzoh | 8,334,219 B2 | 12/2012 | Lee et al. |
| 8,076,250 B1 | 12/2011 | Rajagopalan | 8,338,809 B2 | 12/2012 | Yang et al. |
| 8,076,251 B2 | 12/2011 | Akae et al. | 8,349,083 B2 | 1/2013 | Takasuka et al. |
| 8,078,310 B2 | 12/2011 | Nishimoto et al. | D676,943 S | 2/2013 | Kluss |
| 8,082,946 B2 | 12/2011 | Laverdiere et al. | 8,367,528 B2 | 2/2013 | Bauer et al. |
| 8,084,104 B2 | 12/2011 | Shinriki et al. | 8,372,204 B2 | 2/2013 | Nakamura |
| 8,084,372 B2 | 12/2011 | You et al. | 8,378,464 B2 | 2/2013 | Kato et al. |
| D652,896 S | 1/2012 | Gether | 8,382,370 B2 | 2/2013 | Aggarwal et al. |
| 8,092,604 B2 | 1/2012 | Tomiyasu et al. | 8,382,939 B2 | 2/2013 | Kutney et al. |
| 8,092,606 B2 | 1/2012 | Park et al. | 8,393,091 B2 | 3/2013 | Kawamoto |
| 8,100,583 B2 | 1/2012 | Aggarwal | 8,394,466 B2 | 3/2013 | Hong et al. |
| D653,734 S | 2/2012 | Sisk | 8,398,773 B2 | 3/2013 | Jdira et al. |
| D654,882 S | 2/2012 | Honma et al. | 8,402,918 B2 | 3/2013 | Kadkhodayan et al. |
| D654,884 S | 2/2012 | Honma | 8,404,499 B2 | 3/2013 | Moffatt |
| D655,055 S | 2/2012 | Toll | 8,415,258 B2 | 4/2013 | Akae |
| 8,110,099 B2 | 2/2012 | Hersey et al. | 8,415,259 B2 | 4/2013 | Lee et al. |
| 8,114,734 B2 | 2/2012 | Yang et al. | 8,415,587 B2 | 4/2013 | Millman et al. |
| 8,119,466 B2 | 2/2012 | Avouris | 8,419,959 B2 | 4/2013 | Bettencourt et al. |
| 8,119,527 B1 | 2/2012 | Chadrashekar et al. | 8,425,682 B2 | 4/2013 | Wang et al. |
| D655,260 S | 3/2012 | Honma et al. | 8,430,620 B1 | 4/2013 | Blank et al. |
| D655,261 S | 3/2012 | Honma et al. | 8,440,259 B2 | 5/2013 | Chiang et al. |
| D655,599 S | 3/2012 | Durham | 8,444,120 B2 | 5/2013 | Gregg et al. |
| 8,129,290 B2 | 3/2012 | Balseanu et al. | 8,445,075 B2 | 5/2013 | Xu et al. |
| 8,137,462 B2 | 3/2012 | Fondurulia et al. | 8,450,191 B2 | 5/2013 | Wang |
| 8,137,465 B1 | 3/2012 | Shrinivasan et al. | 8,454,749 B2 | 6/2013 | Li |
| 8,138,104 B2 | 3/2012 | Balseanu et al. | 8,465,811 B2 | 6/2013 | Ueda |
| 8,138,676 B2 | 3/2012 | Mills | 8,465,903 B2 | 6/2013 | Weidman et al. |
| 8,142,862 B2 | 3/2012 | Lee et al. | 8,466,411 B2 | 6/2013 | Arai |
| 8,143,174 B2 | 3/2012 | Xia et al. | 8,470,187 B2 | 6/2013 | Ha |
| 8,147,242 B2 | 4/2012 | Shibagaki et al. | 8,470,718 B2 | 6/2013 | Lee |
| 8,152,922 B2 | 4/2012 | Schmidt et al. | 8,484,846 B2 | 7/2013 | Dhindsa |
| 8,158,512 B2 | 4/2012 | Ji et al. | 8,492,170 B2 | 7/2013 | Xie et al. |
| 8,172,947 B2 | 5/2012 | Shibata et al. | 8,496,377 B2 | 7/2013 | Harr et al. |
| 8,173,554 B2 | 5/2012 | Lee et al. | 8,496,756 B2 | 7/2013 | Cruse et al. |
| 8,178,436 B2 | 5/2012 | King et al. | 8,497,213 B2 | 7/2013 | Yasui et al. |
| 8,187,679 B2 | 5/2012 | Dickey et al. | 8,501,599 B2 | 8/2013 | Ueno et al. |
| 8,187,951 B1 | 5/2012 | Wang | 8,506,162 B2 | 8/2013 | Schick et al. |
| 8,192,901 B2 | 6/2012 | Kageyama | 8,506,713 B2 | 8/2013 | Takagi |
| 8,196,234 B2 | 6/2012 | Glunk | 8,524,612 B2 | 9/2013 | Li et al. |
| 8,197,915 B2 | 6/2012 | Oka et al. | 8,529,701 B2 | 9/2013 | Morita |
| 8,198,168 B2 | 6/2012 | Tanioku | 8,535,767 B1 | 9/2013 | Kimura |
| 8,202,575 B2 | 6/2012 | Monsma et al. | 8,536,068 B2 | 9/2013 | Weidman et al. |
| 8,206,506 B2 | 6/2012 | Kadkhodayan et al. | D691,974 S | 10/2013 | Osada et al. |
| 8,216,380 B2 | 7/2012 | White et al. | 8,551,892 B2 | 10/2013 | Nakano |
| 8,227,032 B2 | 7/2012 | Dussarrat et al. | 8,557,712 B1 | 10/2013 | Antonelli et al. |
| 8,231,799 B2 | 7/2012 | Hera et al. | 8,562,272 B2 | 10/2013 | Lenz |
| D665,055 S | 8/2012 | Yanagisawa et al. | 8,563,443 B2 | 10/2013 | Fukazawa |
| 8,241,991 B2 | 8/2012 | Hsieh et al. | 8,569,184 B2 | 10/2013 | Oka |
| 8,241,992 B2 | 8/2012 | Clevenger et al. | D693,200 S | 11/2013 | Saunders |
| 8,242,028 B1 | 8/2012 | van Schravendijk | 8,573,152 B2 | 11/2013 | de la Llera et al. |
| 8,242,031 B2 | 8/2012 | Mallick et al. | 8,573,154 B2 | 11/2013 | Yorozuya |
| 8,246,900 B2 | 8/2012 | Kasai et al. | 8,586,484 B2 | 11/2013 | Matsuyama et al. |
| 8,252,114 B2 | 8/2012 | Vukovic | 8,591,659 B1 | 11/2013 | Fang et al. |
| 8,252,659 B2 | 8/2012 | Huyghabaert et al. | 8,592,005 B2 | 11/2013 | Ueda |
| 8,252,691 B2 | 8/2012 | Beynet et al. | D694,790 S | 12/2013 | Matsumoto et al. |
| 8,267,633 B2 | 9/2012 | Obikane | D695,240 S | 12/2013 | Iida et al. |
| 8,272,516 B2 | 9/2012 | Salvador | 8,608,885 B2 | 12/2013 | Goto et al. |
| 8,278,176 B2 | 10/2012 | Bauer et al. | 8,614,047 B2 | 12/2013 | Ayothi et al. |
| 8,282,769 B2 | 10/2012 | Iizuka | 8,616,765 B2 | 12/2013 | Darabnia et al. |
| 8,282,847 B2 | 10/2012 | Romano | 8,617,411 B2 | 12/2013 | Singh |
| 8,282,992 B2 | 10/2012 | Myo et al. | D697,038 S | 1/2014 | Matsumoto et al. |
| 8,287,648 B2 | 10/2012 | Reed et al. | 8,623,770 B1 | 1/2014 | Gao et al. |
| 8,291,857 B2 | 10/2012 | Lam et al. | 8,633,115 B2 | 1/2014 | Chang et al. |
| 8,293,016 B2 | 10/2012 | Bahng et al. | D698,904 S | 2/2014 | Milligan et al. |
| 8,293,642 B2 | 10/2012 | Kim | 8,642,488 B2 | 2/2014 | Liu et al. |
| | | | 8,647,439 B2 | 2/2014 | Sanchez et al. |
| | | | 8,647,722 B2 | 2/2014 | Kobayashi et al. |
| | | | 8,647,993 B2 | 2/2014 | Lavoie et al. |
| | | | 8,651,788 B1 | 2/2014 | Budde |

(56)

References Cited

U.S. PATENT DOCUMENTS

| | | | | | |
|--------------|---------|------------------|--------------|---------|---------------------|
| 8,664,627 B1 | 3/2014 | Ishikawa et al. | 8,945,305 B2 | 2/2015 | Marsh |
| 8,667,654 B2 | 3/2014 | Gros-Jean | 8,945,306 B2 | 2/2015 | Tsuda |
| 8,668,957 B2 | 3/2014 | Dussarrat et al. | 8,945,339 B2 | 2/2015 | Kakimoto |
| 8,669,185 B2 | 3/2014 | Onizawa | 8,946,830 B2 | 2/2015 | Jung et al. |
| 8,679,958 B2 | 3/2014 | Takamure et al. | 8,956,971 B2 | 2/2015 | Huakka |
| D702,188 S | 4/2014 | Jacobs | 8,956,983 B2 | 2/2015 | Swaminathan |
| 8,683,943 B2 | 4/2014 | Onodera et al. | D723,330 S | 3/2015 | York |
| 8,697,198 B2 | 4/2014 | Lee | D724,553 S | 3/2015 | Choi |
| 8,703,002 B2 | 4/2014 | Matsudo et al. | D724,701 S | 3/2015 | Yamagishi et al. |
| 8,709,162 B2 | 4/2014 | Leung et al. | D725,168 S | 3/2015 | Yamagishi |
| 8,710,580 B2 | 4/2014 | Sakuma et al. | 8,967,608 B2 | 3/2015 | Mitsumori et al. |
| 8,711,338 B2 | 4/2014 | Liu et al. | 8,974,868 B2 | 3/2015 | Ishikawa et al. |
| D705,745 S | 5/2014 | Kurs et al. | 8,980,006 B2 | 3/2015 | Huh et al. |
| D705,762 S | 5/2014 | Yu | 8,986,456 B2 | 3/2015 | Fondurulia et al. |
| 8,664,127 B2 | 5/2014 | Bhatia et al. | 8,991,214 B2 | 3/2015 | Hoshino et al. |
| 8,720,965 B2 | 5/2014 | Hino et al. | 8,991,887 B2 | 3/2015 | Shin et al. |
| 8,721,791 B2 | 5/2014 | Choi et al. | 8,993,054 B2 | 3/2015 | Jung et al. |
| 8,722,510 B2 | 5/2014 | Watanabe et al. | 8,993,457 B1 | 3/2015 | Ramkumar et al. |
| 8,722,546 B2 | 5/2014 | Fukazawa et al. | D726,365 S | 4/2015 | Weigensberg |
| 8,726,837 B2 | 5/2014 | Patalay et al. | D726,884 S | 4/2015 | Yamagishi et al. |
| 8,728,832 B2 | 5/2014 | Raisanen et al. | 8,999,102 B2 | 4/2015 | Miyoshi et al. |
| 8,728,956 B2 | 5/2014 | Lavoie et al. | 9,004,744 B1 | 4/2015 | Kemp |
| 8,741,062 B2 | 6/2014 | Lindfors et al. | 9,005,539 B2 | 4/2015 | Halpin et al. |
| 8,741,065 B2 | 6/2014 | Odagiri et al. | 9,017,481 B1 | 4/2015 | Pettinger et al. |
| 8,742,668 B2 | 6/2014 | Nakano et al. | 9,017,933 B2 | 4/2015 | Liu et al. |
| 8,758,512 B2 | 6/2014 | Lee | 9,018,093 B2 | 4/2015 | Tsuji et al. |
| 8,759,223 B2 | 6/2014 | Sapre et al. | 9,018,111 B2 | 4/2015 | Milligan et al. |
| D709,536 S | 7/2014 | Yoshimura et al. | 9,018,567 B2 | 4/2015 | de Ridder et al. |
| D709,537 S | 7/2014 | Kuwabara et al. | 9,021,985 B2 | 5/2015 | Alokozai et al. |
| 8,764,085 B2 | 7/2014 | Urabe | 9,023,737 B2 | 5/2015 | Beynet et al. |
| 8,771,791 B2 | 7/2014 | Lee et al. | 9,023,738 B2 | 5/2015 | Kato et al. |
| 8,771,807 B2 | 7/2014 | Xiao et al. | 9,029,244 B2 | 5/2015 | Won et al. |
| 8,779,502 B2 | 7/2014 | Sakuma et al. | 9,029,253 B2 | 5/2015 | Milligan et al. |
| 8,784,950 B2 | 7/2014 | Fukazawa et al. | 9,029,272 B1 | 5/2015 | Nakano |
| 8,784,951 B2 | 7/2014 | Fukazawa et al. | D732,145 S | 6/2015 | Yamagishi |
| 8,785,215 B2 | 7/2014 | Kobayashi et al. | D732,644 S | 6/2015 | Yamagishi et al. |
| 8,785,311 B2 | 7/2014 | Miyoshi | D733,257 S | 6/2015 | Schoenherr et al. |
| 8,790,743 B1 | 7/2014 | Omari | D733,261 S | 6/2015 | Yamagishi et al. |
| 8,790,749 B2 | 7/2014 | Omori et al. | D733,262 S | 6/2015 | Kang |
| 8,802,201 B2 | 8/2014 | Raisanen et al. | 9,057,388 B2 | 6/2015 | Comeau et al. |
| 8,809,170 B2 | 8/2014 | Bauer | 9,064,815 B2 | 6/2015 | Zhang et al. |
| D712,358 S | 9/2014 | Allen et al. | D733,843 S | 7/2015 | Yamagishi |
| D712,359 S | 9/2014 | Allen et al. | D734,377 S | 7/2015 | Hirakida |
| 8,820,809 B2 | 9/2014 | Ando et al. | 9,076,635 B2 | 7/2015 | Gross et al. |
| 8,821,640 B2 | 9/2014 | Cleary et al. | 9,076,726 B2 | 7/2015 | Kauerauf et al. |
| 8,821,985 B2 | 9/2014 | Shao et al. | D735,836 S | 8/2015 | Yamagishi et al. |
| 8,823,672 B2 | 9/2014 | Kim | D736,348 S | 8/2015 | Tan |
| 8,828,886 B2 | 9/2014 | Samukawa et al. | 9,095,869 B2 | 8/2015 | Kilpi et al. |
| 8,841,182 B1 | 9/2014 | Chen et al. | 9,096,931 B2 | 8/2015 | Yednak et al. |
| 8,845,806 B2 | 9/2014 | Aida et al. | 9,099,423 B2 | 8/2015 | Weeks et al. |
| 8,846,502 B2 | 9/2014 | Hauldca et al. | 9,099,505 B2 | 8/2015 | Kusakabe et al. |
| D715,410 S | 10/2014 | Lohmann | 9,111,972 B2 | 8/2015 | Takeshita et al. |
| 8,859,368 B2 | 10/2014 | Deniz | 9,117,657 B2 | 8/2015 | Nakano et al. |
| 8,860,955 B2 | 10/2014 | Rodnick et al. | 9,117,866 B2 | 8/2015 | Marquardt et al. |
| 8,864,202 B1 | 10/2014 | Schrameyer | D739,222 S | 9/2015 | Chadbourne |
| 8,864,375 B2 | 10/2014 | Abe et al. | 9,123,510 B2 | 9/2015 | Nakano et al. |
| D716,742 S | 11/2014 | Jang et al. | 9,123,577 B2 | 9/2015 | Fujimoto et al. |
| 8,876,974 B2 | 11/2014 | Wan | 9,127,358 B2 | 9/2015 | Inoue et al. |
| 8,877,300 B2 | 11/2014 | Lee | 9,127,362 B2 | 9/2015 | Scheible et al. |
| 8,877,655 B2 | 11/2014 | Shero et al. | 9,129,897 B2 | 9/2015 | Pore et al. |
| 8,882,923 B2 | 11/2014 | Saido et al. | 9,136,108 B2 | 9/2015 | Matsushita et al. |
| 8,883,270 B2 | 11/2014 | Shero et al. | 9,136,180 B2 | 9/2015 | Machkaoutsan et al. |
| 8,895,108 B2 | 11/2014 | Lee | 9,142,393 B2 | 9/2015 | Okabe et al. |
| 8,900,935 B2 | 12/2014 | Guo et al. | 9,142,437 B2 | 9/2015 | Fosnight et al. |
| 8,900,999 B1 | 12/2014 | Wu et al. | 9,142,764 B1 | 9/2015 | Wang |
| 8,901,016 B2 | 12/2014 | Jeongseok et al. | 9,153,441 B2 | 10/2015 | Takamure et al. |
| 8,911,553 B2 | 12/2014 | Baluja et al. | 9,163,310 B2 | 10/2015 | Lee |
| 8,911,826 B2 | 12/2014 | Adachi et al. | 9,166,012 B2 | 10/2015 | Sim et al. |
| 8,912,101 B2 | 12/2014 | Tsuji et al. | 9,169,975 B2 | 10/2015 | Sarin et al. |
| D720,838 S | 1/2015 | Yamagishi et al. | 9,171,714 B2 | 10/2015 | Mori |
| 8,927,906 B2 | 1/2015 | Tadokoro et al. | 9,171,715 B2 | 10/2015 | Matero |
| 8,932,802 B2 | 1/2015 | Wu et al. | 9,171,716 B2 | 10/2015 | Fukuda |
| 8,933,375 B2 | 1/2015 | Dunn et al. | D742,202 S | 11/2015 | Cyphers et al. |
| 8,940,646 B1 | 1/2015 | Chandrasekharan | D743,357 S | 11/2015 | Vyne |
| D723,153 S | 2/2015 | Borkholder | D743,513 S | 11/2015 | Yamagishi |
| | | | 9,174,178 B2 | 11/2015 | Berger et al. |
| | | | 9,175,394 B2 | 11/2015 | Yudovsky et al. |
| | | | 9,177,784 B2 | 11/2015 | Raisanen et al. |
| | | | 9,184,047 B2 | 11/2015 | Liu et al. |

(56)

References Cited

U.S. PATENT DOCUMENTS

| | | | | | |
|----------------|---------|--|--------------|---------|---------------------------|
| 9,184,054 B1 | 11/2015 | Huang et al. | 9,447,498 B2 | 9/2016 | Shiba et al. |
| 9,190,263 B2 | 11/2015 | Ishikawa et al. | 9,449,793 B2 | 9/2016 | Shaji et al. |
| 9,190,264 B2 | 11/2015 | Yuasa et al. | 9,449,795 B2 | 9/2016 | Sabri et al. |
| 9,196,483 B1 | 11/2015 | Lee et al. | 9,455,138 B1 | 9/2016 | Fukazawa |
| D745,641 S | 12/2015 | Blum | 9,455,177 B1 | 9/2016 | Park et al. |
| 9,202,727 B2 | 12/2015 | Dunn et al. | 9,464,352 B2 | 10/2016 | Nakano et al. |
| 9,214,333 B1 | 12/2015 | Sims et al. | 9,472,432 B1 | 10/2016 | Blank |
| 9,219,006 B2 | 12/2015 | Chatterjee | 9,474,163 B2 | 10/2016 | Tolle et al. |
| 9,223,203 B2 | 12/2015 | Farm et al. | 9,478,414 B2 | 10/2016 | Kobayashi et al. |
| 9,228,259 B2 | 1/2016 | Haukka et al. | 9,478,415 B2 | 10/2016 | Kimura |
| 9,240,412 B2 | 1/2016 | Xie et al. | D770,993 S | 11/2016 | Yoshida et al. |
| 9,245,742 B2 | 1/2016 | Haukka | 9,484,191 B2 | 11/2016 | Winkler |
| 9,252,024 B2 | 2/2016 | Lam et al. | 9,496,225 B1 | 11/2016 | Adusumilli et al. |
| 9,252,238 B1 | 2/2016 | Trevino et al. | 9,514,927 B2 | 12/2016 | Tolle et al. |
| 9,257,274 B2 | 2/2016 | Kang et al. | 9,514,932 B2 | 12/2016 | Mallick et al. |
| 9,263,298 B2 | 2/2016 | Matsumoto et al. | 9,520,289 B2 | 12/2016 | Park et al. |
| 9,267,204 B2 | 2/2016 | Honma | 9,523,148 B1 | 12/2016 | Pore et al. |
| 9,267,850 B2 | 2/2016 | Aggarwal | D777,546 S | 1/2017 | Ishii et al. |
| D751,176 S | 3/2016 | Schoenherr et al. | 9,543,180 B2 | 1/2017 | Kamiya |
| 9,275,834 B1 | 3/2016 | Park et al. | 9,556,516 B2 | 1/2017 | Takamure |
| 9,281,277 B2 | 3/2016 | Baek et al. | 9,558,931 B2 | 1/2017 | Tang |
| 9,284,642 B2 | 3/2016 | Nakano | 9,564,312 B2 | 2/2017 | Henri et al. |
| 9,284,644 B2 * | 3/2016 | Madrigal C23C 16/45565 | 9,564,314 B2 | 2/2017 | Takamure et al. |
| 9,287,273 B2 | 3/2016 | Ragnarsson et al. | 9,570,302 B1 | 2/2017 | Chang et al. |
| 9,297,705 B2 | 3/2016 | Aggarwal | 9,574,268 B1 | 2/2017 | Dunn et al. |
| 9,299,557 B2 | 3/2016 | Tolle et al. | 9,576,952 B2 | 2/2017 | Joshi et al. |
| 9,299,595 B2 | 3/2016 | Dunn et al. | 9,583,333 B2 | 2/2017 | Chatterjee |
| D753,269 S | 4/2016 | Yamagishi et al. | 9,583,345 B2 | 2/2017 | Chen et al. |
| D753,629 S | 4/2016 | Plattard | D782,419 S | 3/2017 | Willette |
| 9,305,836 B1 | 4/2016 | Gates et al. | 9,589,770 B2 | 3/2017 | Winkler |
| 9,309,598 B2 | 4/2016 | Wang et al. | 9,605,342 B2 | 3/2017 | Alokozai et al. |
| 9,309,978 B2 | 4/2016 | Hatch et al. | 9,605,343 B2 | 3/2017 | Winkler |
| 9,310,684 B2 | 4/2016 | Meyers et al. | 9,607,837 B1 | 3/2017 | Namba |
| 9,312,155 B2 | 4/2016 | Mori | D783,351 S | 4/2017 | Fujino et al. |
| 9,315,897 B2 | 4/2016 | Byun | 9,613,801 B2 | 4/2017 | Carcasi et al. |
| 9,324,811 B2 | 4/2016 | Weeks | 9,627,221 B1 | 4/2017 | Zaitso et al. |
| 9,324,846 B1 | 4/2016 | Camillo | D785,766 S | 5/2017 | Sato |
| D756,929 S | 5/2016 | Harck et al. | D787,458 S | 5/2017 | Kim et al. |
| D757,907 S * | 5/2016 | Foreman C23C 16/45565 D23/249 | 9,640,416 B2 | 5/2017 | Arai |
| 9,331,200 B1 | 5/2016 | Wang et al. | 9,640,448 B2 | 5/2017 | Ikegawa et al. |
| 9,337,054 B2 | 5/2016 | Hunks et al. | 9,640,542 B2 | 5/2017 | Lee et al. |
| 9,337,057 B2 | 5/2016 | Park et al. | 9,644,266 B2 | 5/2017 | Nasu et al. |
| 9,341,296 B2 | 5/2016 | Yednak | 9,647,114 B2 | 5/2017 | Margetis |
| 9,343,297 B1 | 5/2016 | Fukazawa et al. | 9,657,845 B2 | 5/2017 | Shugrue |
| 9,343,308 B2 | 5/2016 | Isii | 9,659,799 B2 | 5/2017 | Lawson |
| 9,343,343 B2 | 5/2016 | Mori | 9,663,857 B2 | 5/2017 | Nakano et al. |
| 9,343,350 B2 | 5/2016 | Arai | 9,666,528 B1 | 5/2017 | Bergendahl et al. |
| 9,349,620 B2 | 5/2016 | Kamata et al. | D789,888 S | 6/2017 | Jang et al. |
| 9,353,440 B2 | 5/2016 | Ge et al. | D790,041 S | 6/2017 | Jang et al. |
| 9,353,441 B2 | 5/2016 | Chung | 9,680,268 B1 | 6/2017 | Finona |
| 9,355,876 B2 | 5/2016 | Reuter et al. | 9,684,234 B2 | 6/2017 | Darling et al. |
| 9,355,882 B2 | 5/2016 | Wu et al. | 9,685,320 B2 | 6/2017 | Kang et al. |
| D759,137 S | 6/2016 | Hassan | 9,691,668 B2 | 6/2017 | Chang et al. |
| 9,362,107 B2 | 6/2016 | Thadani et al. | 9,691,771 B2 | 6/2017 | Lansalot-Matras |
| 9,362,137 B2 | 6/2016 | Kang et al. | 9,698,031 B2 | 7/2017 | Kobayashi et al. |
| 9,362,180 B2 | 6/2016 | Lee et al. | 9,708,707 B2 | 7/2017 | Ditizio et al. |
| 9,365,924 B2 | 6/2016 | Nonaka | 9,708,708 B2 | 7/2017 | Isobe et al. |
| 9,368,352 B2 | 6/2016 | Takamure et al. | 9,711,345 B2 | 7/2017 | Shiba et al. |
| 9,370,863 B2 | 6/2016 | Tsuji et al. | D793,352 S | 8/2017 | Hill |
| 9,378,969 B2 | 6/2016 | Hsu et al. | D793,572 S | 8/2017 | Kozuka et al. |
| 9,384,987 B2 | 7/2016 | Jung et al. | D793,976 S | 8/2017 | Fukushima et al. |
| 9,390,909 B2 | 7/2016 | Pasquale et al. | D795,208 S | 8/2017 | Sasaki et al. |
| 9,394,608 B2 | 7/2016 | Shero et al. | 9,735,024 B2 | 8/2017 | Zaitso |
| 9,396,934 B2 | 7/2016 | Tolle | 9,741,546 B2 | 8/2017 | Carducci et al. |
| 9,396,956 B1 | 7/2016 | Fukazawa | 9,741,559 B2 | 8/2017 | Shimura et al. |
| 9,399,228 B2 | 7/2016 | Breiling et al. | 9,745,658 B2 | 8/2017 | Kang et al. |
| D764,196 S | 8/2016 | Handler et al. | 9,748,145 B1 | 8/2017 | Kannan et al. |
| 9,404,587 B2 | 8/2016 | Shugrue | D796,458 S | 9/2017 | Jang et al. |
| 9,412,564 B2 | 8/2016 | Milligan | D796,670 S | 9/2017 | Dolk et al. |
| 9,412,581 B2 | 8/2016 | Thadani et al. | 9,754,779 B1 | 9/2017 | Ishikawa |
| 9,412,582 B2 | 8/2016 | Sasaki et al. | 9,754,818 B2 | 9/2017 | Shiu et al. |
| 9,418,885 B2 | 8/2016 | Sung et al. | 9,759,489 B2 | 9/2017 | Kaneko |
| 9,425,078 B2 | 8/2016 | Tang et al. | 9,765,432 B2 | 9/2017 | Ge et al. |
| 9,443,725 B2 | 9/2016 | Liu et al. | 9,773,818 B2 | 9/2017 | Kimura |
| | | | 9,778,561 B2 | 10/2017 | Marks et al. |
| | | | 9,780,225 B2 | 10/2017 | Venkatasubramanian et al. |
| | | | 9,786,491 B2 | 10/2017 | Suzuki et al. |
| | | | 9,786,570 B2 | 10/2017 | Kang et al. |
| | | | 9,790,595 B2 | 10/2017 | Jung et al. |

(56)

References Cited

U.S. PATENT DOCUMENTS

| | | | | | |
|----------------|---------|----------------------------|-----------------|---------|-----------------------------|
| 9,793,115 B2 | 10/2017 | Tolle | 10,134,757 B2 | 11/2018 | Chun et al. |
| 9,793,135 B1 | 10/2017 | Zaitsu et al. | RE47,170 E | 12/2018 | Beynet et al. |
| 9,793,148 B2 | 10/2017 | Yamagishi et al. | 10,147,600 B2 | 12/2018 | Takamure et al. |
| 9,798,308 B2 | 10/2017 | Mimura | 10,167,557 B2 | 1/2019 | Hawkins et al. |
| 9,799,736 B1 | 10/2017 | Ebrish et al. | 10,177,024 B2 | 1/2019 | Gomm et al. |
| D802,546 S | 11/2017 | Jang et al. | 10,177,025 B2 | 1/2019 | Pore |
| 9,808,246 B2 | 11/2017 | Shelton et al. | 10,179,947 B2 | 1/2019 | Fukazawa |
| 9,812,319 B1 | 11/2017 | Fukazawa et al. | 10,186,420 B2 | 1/2019 | Fukazawa |
| 9,812,320 B1 | 11/2017 | Pore et al. | 10,190,213 B2 | 1/2019 | Zhu et al. |
| 9,820,289 B1 | 11/2017 | Pawar et al. | 10,190,214 B2 | 1/2019 | Shon et al. |
| 9,824,884 B1 | 11/2017 | Sims et al. | 10,190,701 B2 | 1/2019 | Raj et al. |
| 9,824,893 B1 | 11/2017 | Smith et al. | 10,192,734 B2 | 1/2019 | Sanchez et al. |
| 9,847,221 B1 | 12/2017 | McLaughlin et al. | 10,193,429 B2 | 1/2019 | Smith et al. |
| D808,254 S | 1/2018 | Deleu | D840,364 S | 2/2019 | Ichino et al. |
| 9,859,151 B1 | 1/2018 | Niskanen | 10,204,788 B1 | 2/2019 | Ye et al. |
| 9,865,455 B1 | 1/2018 | Sims et al. | 10,211,308 B2 | 2/2019 | Zhu et al. |
| 9,865,456 B1 | 1/2018 | Pandey et al. | 10,229,833 B2 | 3/2019 | Raisanen et al. |
| 9,865,815 B2 | 1/2018 | Hausmann | 10,236,177 B1 | 3/2019 | Kohen et al. |
| 9,868,131 B2 | 1/2018 | Kilpi et al. | 10,249,524 B2 | 4/2019 | den Hartog Besselink et al. |
| 9,870,964 B1 | 1/2018 | Yoshino et al. | 10,249,577 B2 | 4/2019 | Lee et al. |
| 9,875,891 B2 | 1/2018 | Henri et al. | 10,262,859 B2 | 4/2019 | Margetis et al. |
| 9,875,893 B2 | 1/2018 | Takamure et al. | 10,269,558 B2 | 4/2019 | Blanquart et al. |
| 9,881,788 B2 | 1/2018 | Kim et al. | 10,276,355 B2 | 4/2019 | White et al. |
| D810,705 S | 2/2018 | Krishnan et al. | D849,662 S | 5/2019 | Rike |
| 9,887,082 B1 | 2/2018 | Pore et al. | 10,283,353 B2 | 5/2019 | Kobayashi et al. |
| 9,890,456 B2 | 2/2018 | Tolle et al. | 10,287,684 B2 | 5/2019 | Yanai et al. |
| 9,891,521 B2 | 2/2018 | Kang et al. | 10,290,508 B1 | 5/2019 | Kubota et al. |
| 9,892,908 B2 | 2/2018 | Pettinger et al. | 10,297,440 B2 | 5/2019 | Yamazaki et al. |
| 9,892,913 B2 | 2/2018 | Margetis et al. | RE47,440 E | 6/2019 | Yudovsky et al. |
| 9,895,715 B2 | 2/2018 | Hauldca et al. | 10,312,055 B2 | 6/2019 | Suzuki |
| 9,899,291 B2 | 2/2018 | Kato | 10,312,129 B2 | 6/2019 | Coomer |
| 9,899,405 B2 | 2/2018 | Kim | 10,319,588 B2 | 6/2019 | Mattinen et al. |
| 9,905,420 B2 | 2/2018 | Margetis et al. | 10,322,384 B2 | 6/2019 | Stumpf et al. |
| 9,905,492 B2 | 2/2018 | Tang et al. | 10,332,963 B1 | 6/2019 | Xie |
| 9,909,492 B2 | 2/2018 | Tang | D855,089 S | 7/2019 | Hopkins |
| 9,909,214 B2 | 3/2018 | Suemori | 10,340,125 B2 | 7/2019 | Winkler |
| 9,911,676 B2 | 3/2018 | Tang | 10,340,135 B2 | 7/2019 | Blanquart |
| 9,916,980 B1 | 3/2018 | Knaepen | 10,343,920 B2 | 7/2019 | Haukka |
| 9,920,451 B2 | 3/2018 | Sivaramkrishnan et al. | 10,347,547 B2 | 7/2019 | Varadarajan et al. |
| 9,922,824 B2 | 3/2018 | Okada | 10,354,873 B2 | 7/2019 | Ko et al. |
| 9,929,005 B1 | 3/2018 | Shimamoto et al. | 10,361,201 B2 | 7/2019 | Xie et al. |
| 9,929,011 B2 | 3/2018 | Hawryluk et al. | 10,367,080 B2 | 7/2019 | Tang et al. |
| 9,951,421 B2 | 4/2018 | Lind | 10,388,513 B1 | 8/2019 | Blanquart |
| 9,960,033 B1 | 5/2018 | Nozawa | 10,395,917 B2 | 8/2019 | Niskanen et al. |
| 9,960,072 B2 | 5/2018 | Coomer | 10,395,919 B2 | 8/2019 | Masaru et al. |
| 9,966,299 B2 | 5/2018 | Tang et al. | D859,136 S | 9/2019 | Tenander et al. |
| 9,984,869 B1 | 5/2018 | Blanquart | 10,400,335 B2 | 9/2019 | Ge et al. |
| D819,580 S | 6/2018 | Krishnan et al. | 10,410,943 B2 | 9/2019 | Jiang et al. |
| 9,987,747 B2 | 6/2018 | Hwang et al. | 10,428,419 B2 | 10/2019 | Huotari et al. |
| 9,991,099 B2 * | 6/2018 | Tanaka H01J 37/32568 | 10,435,790 B2 | 10/2019 | Fukazawa et al. |
| 9,991,138 B2 | 6/2018 | Lin et al. | D867,867 S | 11/2019 | Tenander et al. |
| 9,996,004 B2 | 6/2018 | Smith et al. | 10,468,244 B2 | 11/2019 | Li et al. |
| 9,997,357 B2 | 6/2018 | Arghavani et al. | 10,468,251 B2 | 11/2019 | Ishikawa et al. |
| 9,997,373 B2 | 6/2018 | Hudson | 10,483,154 B1 | 11/2019 | Smith et al. |
| 10,032,628 B2 | 6/2018 | Xie et al. | 10,510,871 B1 | 12/2019 | More et al. |
| 10,014,212 B2 | 7/2018 | Chen et al. | 10,529,554 B2 | 1/2020 | Ishikawa et al. |
| 10,017,856 B1 | 7/2018 | Arnepalli et al. | D876,504 S | 2/2020 | Lee et al. |
| 10,018,920 B2 | 7/2018 | Chang et al. | 10,590,531 B1 | 3/2020 | Shirako et al. |
| 10,023,960 B2 | 7/2018 | Alokozai | 10,600,637 B2 | 3/2020 | Suzuki et al. |
| 10,032,792 B2 | 7/2018 | Kim et al. | D880,437 S | 4/2020 | Lee et al. |
| 10,043,661 B2 | 8/2018 | Kato et al. | 10,622,196 B2 | 4/2020 | Nagayama et al. |
| 10,047,435 B2 | 8/2018 | Hauldca et al. | 10,648,788 B2 | 5/2020 | Boyd et al. |
| 10,053,774 B2 | 8/2018 | Tolle et al. | 10,669,625 B2 * | 6/2020 | Liu C23C 16/4412 |
| 10,060,473 B2 | 8/2018 | Davey et al. | 10,714,335 B2 | 7/2020 | Kim et al. |
| D827,592 S | 9/2018 | Ichino et al. | 10,763,139 B2 | 9/2020 | Shindo |
| 10,083,836 B2 | 9/2018 | Milligan | D900,036 S | 10/2020 | Wuester et al. |
| D830,981 S | 10/2018 | Jeong et al. | D903,477 S | 12/2020 | Goratela et al. |
| 10,087,522 B2 | 10/2018 | Raisanen et al. | 2001/0000141 A1 | 4/2001 | Zhou et al. |
| 10,087,525 B2 | 10/2018 | Schmotzer et al. | 2001/0001953 A1 | 5/2001 | Griffiths et al. |
| 10,090,316 B2 | 10/2018 | Ootsuka | 2001/0002581 A1 | 6/2001 | Nishikawa et al. |
| 10,103,040 B1 | 10/2018 | Oosterlaken et al. | 2001/0003015 A1 | 6/2001 | Chang et al. |
| 10,106,892 B1 | 10/2018 | Siddiqui et al. | 2001/0003191 A1 | 6/2001 | Kovacs et al. |
| RE47,145 E | 11/2018 | Hashimoto | 2001/0004880 A1 | 6/2001 | Cho et al. |
| 10,121,671 B2 | 11/2018 | Fu et al. | 2001/0006070 A1 | 7/2001 | Shang |
| 10,134,617 B2 | 11/2018 | Gurary et al. | 2001/0007246 A1 | 7/2001 | Ueda et al. |
| | | | 2001/0007645 A1 | 7/2001 | Honma |
| | | | 2001/0014267 A1 | 8/2001 | Yamaga et al. |
| | | | 2001/0014514 A1 | 8/2001 | Geusic |
| | | | 2001/0015343 A1 | 8/2001 | Sprey et al. |

(56)

References Cited

U.S. PATENT DOCUMENTS

- | | | | | | | | |
|--------------|----|---------|--------------------|--------------|----|---------|---------------------|
| 2001/0016273 | A1 | 8/2001 | Narasimhan et al. | 2002/0100418 | A1 | 8/2002 | Sandhu et al. |
| 2001/0017103 | A1 | 8/2001 | Takeshita et al. | 2002/0104481 | A1 | 8/2002 | Chiang et al. |
| 2001/0018267 | A1 | 8/2001 | Shinriki et al. | 2002/0104751 | A1 | 8/2002 | Drewery et al. |
| 2001/0019777 | A1 | 9/2001 | Tanaka et al. | 2002/0108670 | A1 | 8/2002 | Baker et al. |
| 2001/0019900 | A1 | 9/2001 | Hasegawa | 2002/0108714 | A1 | 8/2002 | Doering et al. |
| 2001/0020715 | A1 | 9/2001 | Yamasaki | 2002/0109115 | A1 | 8/2002 | Cederstav et al. |
| 2001/0021591 | A1 | 9/2001 | Srinivasan et al. | 2002/0110695 | A1 | 8/2002 | Yang et al. |
| 2001/0027026 | A1 | 10/2001 | Dhindsa et al. | 2002/0110991 | A1 | 8/2002 | Li |
| 2001/0028924 | A1 | 10/2001 | Sherman | 2002/0112114 | A1 | 8/2002 | Blair et al. |
| 2001/0031535 | A1 | 10/2001 | Agnello et al. | 2002/0114886 | A1 | 8/2002 | Chou et al. |
| 2001/0031541 | A1 | 10/2001 | Madan et al. | 2002/0115252 | A1 | 8/2002 | Haukka et al. |
| 2001/0034097 | A1 | 10/2001 | Lim et al. | 2002/0117113 | A1 | 8/2002 | Tsuruno et al. |
| 2001/0038783 | A1 | 11/2001 | Nakashima et al. | 2002/0122885 | A1 | 9/2002 | Ahn |
| 2001/0039922 | A1 | 11/2001 | Nakahara | 2002/0123200 | A1 | 9/2002 | Yamamoto et al. |
| 2001/0039966 | A1 | 11/2001 | Walpole et al. | 2002/0123230 | A1 | 9/2002 | Hubacek |
| 2001/0040511 | A1 | 11/2001 | Bushner et al. | 2002/0123237 | A1 | 9/2002 | Nguyen et al. |
| 2001/0041250 | A1 | 11/2001 | Werkhoven et al. | 2002/0124883 | A1 | 9/2002 | Zheng |
| 2001/0042511 | A1 | 11/2001 | Liu et al. | 2002/0124906 | A1 | 9/2002 | Suzuki et al. |
| 2001/0042594 | A1 | 11/2001 | Shamouilian et al. | 2002/0127350 | A1 | 9/2002 | Ishikawa |
| 2001/0046765 | A1 | 11/2001 | Cappellani et al. | 2002/0132408 | A1 | 9/2002 | Ma et al. |
| 2001/0047761 | A1 | 12/2001 | Wijck et al. | 2002/0134511 | A1 | 9/2002 | Ushioda et al. |
| 2001/0048981 | A1 | 12/2001 | Suzuki | 2002/0136214 | A1 | 9/2002 | Do et al. |
| 2001/0049080 | A1 | 12/2001 | Asano | 2002/0136909 | A1 | 9/2002 | Yang |
| 2001/0049202 | A1 | 12/2001 | Maeda et al. | 2002/0139775 | A1 | 10/2002 | Chang |
| 2001/0054388 | A1 | 12/2001 | Qian | 2002/0146512 | A1 | 10/2002 | Rossman |
| 2002/0000195 | A1 | 1/2002 | Bang et al. | 2002/0151327 | A1 | 10/2002 | Levitt |
| 2002/0000202 | A1 | 1/2002 | Yuda et al. | 2002/0152244 | A1 | 10/2002 | Dean et al. |
| 2002/0001971 | A1 | 1/2002 | Cho | 2002/0155219 | A1 | 10/2002 | Wang et al. |
| 2002/0001974 | A1 | 1/2002 | Chan | 2002/0155708 | A1 | 10/2002 | Lo et al. |
| 2002/0001976 | A1 | 1/2002 | Danek | 2002/0157611 | A1 | 10/2002 | Bondestam et al. |
| 2002/0005400 | A1 | 1/2002 | Gat et al. | 2002/0160112 | A1 | 10/2002 | Sakai et al. |
| 2002/0005943 | A1 | 1/2002 | Voinalovich | 2002/0164420 | A1 | 11/2002 | Derderian et al. |
| 2002/0008270 | A1 | 1/2002 | Marsh | 2002/0164423 | A1 | 11/2002 | Chiang et al. |
| 2002/0009119 | A1 | 1/2002 | Matthew et al. | 2002/0168870 | A1 | 11/2002 | Matsuki |
| 2002/0009560 | A1 | 1/2002 | Ozono | 2002/0170676 | A1 | 11/2002 | Mitrovic et al. |
| 2002/0009861 | A1 | 1/2002 | Narwankar et al. | 2002/0172768 | A1 | 11/2002 | Endo et al. |
| 2002/0011210 | A1 | 1/2002 | Satoh et al. | 2002/0174106 | A1 | 11/2002 | Martin |
| 2002/0011211 | A1 | 1/2002 | Halpin | 2002/0179011 | A1 | 12/2002 | Jonnalagadda et al. |
| 2002/0011310 | A1 | 1/2002 | Kamarehi et al. | 2002/0181612 | A1 | 12/2002 | Warble et al. |
| 2002/0013792 | A1 | 1/2002 | Imielinski et al. | 2002/0184111 | A1 | 12/2002 | Swanson |
| 2002/0014204 | A1 | 2/2002 | Pyo | 2002/0187650 | A1 | 12/2002 | Blalock et al. |
| 2002/0014483 | A1 | 2/2002 | Suzuki et al. | 2002/0187656 | A1 | 12/2002 | Tan et al. |
| 2002/0016829 | A1 | 2/2002 | Defosse | 2002/0188376 | A1 | 12/2002 | Derderian et al. |
| 2002/0020429 | A1 | 2/2002 | Selbrede et al. | 2002/0192370 | A1 | 12/2002 | Metzner et al. |
| 2002/0023677 | A1 | 2/2002 | Zheng | 2002/0197402 | A1 | 12/2002 | Chiang et al. |
| 2002/0025688 | A1 | 2/2002 | Kato | 2002/0197849 | A1 | 12/2002 | Mandal |
| 2002/0027945 | A1 | 3/2002 | Hirano et al. | 2003/0000647 | A1 | 1/2003 | Yudovsky et al. |
| 2002/0030047 | A1 | 3/2002 | Shao et al. | 2003/0002562 | A1 | 1/2003 | Yerlikaya et al. |
| 2002/0031644 | A1 | 3/2002 | Malofsky et al. | 2003/0003607 | A1 | 1/2003 | Kagoshima |
| 2002/0041931 | A1 | 4/2002 | Suntola et al. | 2003/0003635 | A1 | 1/2003 | Paranjpe et al. |
| 2002/0043337 | A1 | 4/2002 | Goodman et al. | 2003/0003696 | A1 | 1/2003 | Gelatos et al. |
| 2002/0045336 | A1 | 4/2002 | Locati et al. | 2003/0003719 | A1 | 1/2003 | Lim et al. |
| 2002/0048634 | A1 | 4/2002 | Basceri | 2003/0008528 | A1 | 1/2003 | Xia et al. |
| 2002/0050648 | A1 | 5/2002 | Kishida et al. | 2003/0010355 | A1 | 1/2003 | Nowak et al. |
| 2002/0062633 | A1 | 5/2002 | Denker et al. | 2003/0010451 | A1 | 1/2003 | Tzu |
| 2002/0064592 | A1 | 5/2002 | Datta et al. | 2003/0010452 | A1 | 1/2003 | Park et al. |
| 2002/0064598 | A1 | 5/2002 | Wang et al. | 2003/0012632 | A1 | 1/2003 | Saeki |
| 2002/0066532 | A1 | 6/2002 | Shih et al. | 2003/0015141 | A1 | 1/2003 | Takagi |
| 2002/0068458 | A1 | 6/2002 | Chiang et al. | 2003/0015294 | A1 | 1/2003 | Wang |
| 2002/0069222 | A1 | 6/2002 | McNeely | 2003/0015596 | A1 | 1/2003 | Evans |
| 2002/0073922 | A1 | 6/2002 | Frankel et al. | 2003/0017265 | A1 | 1/2003 | Basceri et al. |
| 2002/0076490 | A1 | 6/2002 | Chiang et al. | 2003/0017266 | A1 | 1/2003 | Basceri et al. |
| 2002/0076507 | A1 | 6/2002 | Chiang et al. | 2003/0017268 | A1 | 1/2003 | Hu |
| 2002/0076944 | A1 | 6/2002 | Wang et al. | 2003/0019428 | A1 | 1/2003 | Ku et al. |
| 2002/0078893 | A1 | 6/2002 | Van Os et al. | 2003/0019580 | A1 | 1/2003 | Strang |
| 2002/0079714 | A1 | 6/2002 | Soucy et al. | 2003/0022468 | A1 | 1/2003 | Shioya et al. |
| 2002/0081826 | A1 | 6/2002 | Rotondaro et al. | 2003/0022523 | A1 | 1/2003 | Irino et al. |
| 2002/0086501 | A1 | 7/2002 | O'Donnell et al. | 2003/0023338 | A1 | 1/2003 | Chin et al. |
| 2002/0088542 | A1 | 7/2002 | Nishikawa et al. | 2003/0024901 | A1 | 2/2003 | Ishikawa |
| 2002/0090735 | A1 | 7/2002 | Kishkovich et al. | 2003/0025146 | A1 | 2/2003 | Narwankar et al. |
| 2002/0094378 | A1 | 7/2002 | O'Donnell et al. | 2003/0026904 | A1 | 2/2003 | Yadav et al. |
| 2002/0094388 | A1 | 7/2002 | Fonash et al. | 2003/0027431 | A1 | 2/2003 | Sneh et al. |
| 2002/0096211 | A1 | 7/2002 | Zheng | 2003/0029303 | A1 | 2/2003 | Hasegawa et al. |
| 2002/0098627 | A1 | 7/2002 | Pomarede et al. | 2003/0029381 | A1 | 2/2003 | Nishibayashi |
| 2002/0099470 | A1 | 7/2002 | Zinger et al. | 2003/0029475 | A1 | 2/2003 | Hua et al. |
| | | | | 2003/0032297 | A1 | 2/2003 | Lindstrom et al. |
| | | | | 2003/0035002 | A1 | 2/2003 | Moles |
| | | | | 2003/0035705 | A1 | 2/2003 | Johnson |
| | | | | 2003/0036272 | A1 | 2/2003 | Shamouilian et al. |

(56)

References Cited

U.S. PATENT DOCUMENTS

| | | | | | | | |
|--------------|----|---------|--------------------|--------------|----|---------|--------------------|
| 2003/0037800 | A1 | 2/2003 | Bailey et al. | 2003/0188685 | A1 | 10/2003 | Wang |
| 2003/0040120 | A1 | 2/2003 | Allen et al. | 2003/0190804 | A1 | 10/2003 | Glenn et al. |
| 2003/0040158 | A1 | 2/2003 | Saitoh | 2003/0192875 | A1 | 10/2003 | Bieker et al. |
| 2003/0040196 | A1 | 2/2003 | Lim et al. | 2003/0198587 | A1 | 10/2003 | Kaloyeros |
| 2003/0040841 | A1 | 2/2003 | Nasr et al. | 2003/0201541 | A1 | 10/2003 | Kim |
| 2003/0041971 | A1 | 3/2003 | Kido et al. | 2003/0205096 | A1 | 11/2003 | Gehner et al. |
| 2003/0042419 | A1 | 3/2003 | Katsumata et al. | 2003/0205202 | A1 | 11/2003 | Funaki et al. |
| 2003/0045961 | A1 | 3/2003 | Nakao | 2003/0205327 | A1 | 11/2003 | Howald et al. |
| 2003/0049372 | A1 | 3/2003 | Cook et al. | 2003/0207032 | A1 | 11/2003 | Ahn et al. |
| 2003/0049375 | A1 | 3/2003 | Nguyen et al. | 2003/0209323 | A1 | 11/2003 | Yokogaki |
| 2003/0049499 | A1 | 3/2003 | Murakawa et al. | 2003/0209326 | A1 | 11/2003 | Lee et al. |
| 2003/0049937 | A1 | 3/2003 | Suzuki | 2003/0209746 | A1 | 11/2003 | Horii |
| 2003/0054670 | A1 | 3/2003 | Wang et al. | 2003/0210901 | A1 | 11/2003 | Donald et al. |
| 2003/0057848 | A1 | 3/2003 | Yuasa et al. | 2003/0211735 | A1 | 11/2003 | Rossman |
| 2003/0059535 | A1 | 3/2003 | Luo et al. | 2003/0213435 | A1 | 11/2003 | Okuda et al. |
| 2003/0059980 | A1 | 3/2003 | Chen et al. | 2003/0213560 | A1 | 11/2003 | Wang et al. |
| 2003/0062359 | A1 | 4/2003 | Ho et al. | 2003/0213562 | A1 | 11/2003 | Gondhalekar et al. |
| 2003/0065413 | A1 | 4/2003 | Liteplo et al. | 2003/0215963 | A1 | 11/2003 | Amrhein et al. |
| 2003/0066482 | A1 | 4/2003 | Pokharna et al. | 2003/0217915 | A1 | 11/2003 | Ouellet |
| 2003/0066541 | A1 | 4/2003 | Sun et al. | 2003/0219972 | A1 | 11/2003 | Green |
| 2003/0066826 | A1 | 4/2003 | Lee et al. | 2003/0226840 | A1 | 12/2003 | Dalton |
| 2003/0070617 | A1 | 4/2003 | Kim et al. | 2003/0228772 | A1 | 12/2003 | Cowans |
| 2003/0071015 | A1 | 4/2003 | Chinn et al. | 2003/0230986 | A1 | 12/2003 | Horsky et al. |
| 2003/0072882 | A1 | 4/2003 | Niinisto et al. | 2003/0231698 | A1 | 12/2003 | Yamaguchi |
| 2003/0075925 | A1 | 4/2003 | Lindfors et al. | 2003/0232138 | A1 | 12/2003 | Tuominen et al. |
| 2003/0077857 | A1 | 4/2003 | Xia et al. | 2003/0232491 | A1 | 12/2003 | Yamaguchi |
| 2003/0077883 | A1 | 4/2003 | Ohtake | 2003/0232511 | A1 | 12/2003 | Metzner et al. |
| 2003/0082296 | A1 | 5/2003 | Elers et al. | 2003/0234371 | A1 | 12/2003 | Ziegler |
| 2003/0082307 | A1 | 5/2003 | Chung et al. | 2004/0002224 | A1 | 1/2004 | Chono et al. |
| 2003/0085663 | A1 | 5/2003 | Horsky | 2004/0005147 | A1 | 1/2004 | Wang et al. |
| 2003/0091938 | A1 | 5/2003 | Fairbairn et al. | 2004/0009307 | A1 | 1/2004 | Koh et al. |
| 2003/0094133 | A1 | 5/2003 | Yoshidome et al. | 2004/0009679 | A1 | 1/2004 | Yeo et al. |
| 2003/0101938 | A1 | 6/2003 | Ronsse et al. | 2004/0010772 | A1 | 1/2004 | McKenna et al. |
| 2003/0109107 | A1 | 6/2003 | Hsieh et al. | 2004/0011504 | A1 | 1/2004 | Ku et al. |
| 2003/0109951 | A1 | 6/2003 | Hsiung et al. | 2004/0013577 | A1 | 1/2004 | Ganguli et al. |
| 2003/0111013 | A1 | 6/2003 | Oosterlaken et al. | 2004/0013818 | A1 | 1/2004 | Moon et al. |
| 2003/0111963 | A1 | 6/2003 | Tolmachev et al. | 2004/0015300 | A1 | 1/2004 | Ganguli et al. |
| 2003/0116087 | A1 | 6/2003 | Nguyen | 2004/0016637 | A1 | 1/2004 | Yang |
| 2003/0121608 | A1 | 7/2003 | Chen | 2004/0018304 | A1 | 1/2004 | Chung et al. |
| 2003/0124792 | A1 | 7/2003 | Jeon et al. | 2004/0018307 | A1 | 1/2004 | Park et al. |
| 2003/0124818 | A1 | 7/2003 | Luo et al. | 2004/0018723 | A1 | 1/2004 | Byun et al. |
| 2003/0124820 | A1 | 7/2003 | Johnsgard et al. | 2004/0018750 | A1 | 1/2004 | Sophie et al. |
| 2003/0124842 | A1 | 7/2003 | Hytros et al. | 2004/0023125 | A1 | 2/2004 | Nozawa et al. |
| 2003/0127049 | A1 | 7/2003 | Han et al. | 2004/0023516 | A1 | 2/2004 | Londergan et al. |
| 2003/0133854 | A1 | 7/2003 | Tabata et al. | 2004/0025786 | A1 | 2/2004 | Kontani et al. |
| 2003/0134038 | A1 | 7/2003 | Paranjpe | 2004/0025787 | A1 | 2/2004 | Selbrede et al. |
| 2003/0140851 | A1 | 7/2003 | Janakiraman et al. | 2004/0026372 | A1 | 2/2004 | Takenaka et al. |
| 2003/0141527 | A1 | 7/2003 | Joo et al. | 2004/0029052 | A1 | 2/2004 | Park et al. |
| 2003/0141820 | A1 | 7/2003 | White et al. | 2004/0031564 | A1 | 2/2004 | Gottscho et al. |
| 2003/0143328 | A1 | 7/2003 | Chen | 2004/0035358 | A1 | 2/2004 | Basceri et al. |
| 2003/0145789 | A1 | 8/2003 | Bauch et al. | 2004/0036129 | A1 | 2/2004 | Forbes et al. |
| 2003/0149506 | A1 | 8/2003 | Haanstra et al. | 2004/0037339 | A1 | 2/2004 | Watson et al. |
| 2003/0153177 | A1 | 8/2003 | Tepman et al. | 2004/0037675 | A1 | 2/2004 | Zinger et al. |
| 2003/0153186 | A1 | 8/2003 | Bar-Gadda | 2004/0038525 | A1 | 2/2004 | Meng et al. |
| 2003/0157432 | A1 | 8/2003 | Rottsegge | 2004/0043149 | A1 | 3/2004 | Gordon et al. |
| 2003/0157436 | A1 | 8/2003 | Manger et al. | 2004/0043544 | A1 | 3/2004 | Asai et al. |
| 2003/0159653 | A1 | 8/2003 | Dando et al. | 2004/0048439 | A1 | 3/2004 | Soman |
| 2003/0159656 | A1 | 8/2003 | Tan | 2004/0048452 | A1 | 3/2004 | Sugawara et al. |
| 2003/0162412 | A1 | 8/2003 | Chung | 2004/0048492 | A1 | 3/2004 | Ishikawa et al. |
| 2003/0168001 | A1 | 9/2003 | Sneh | 2004/0050325 | A1 | 3/2004 | Samoilov |
| 2003/0168008 | A1 | 9/2003 | Ohmi et al. | 2004/0050496 | A1 | 3/2004 | Iwai et al. |
| 2003/0168012 | A1 | 9/2003 | Tamura et al. | 2004/0052972 | A1 | 3/2004 | Schmitt |
| 2003/0168699 | A1 | 9/2003 | Honda | 2004/0056017 | A1 | 3/2004 | Renken |
| 2003/0168750 | A1 | 9/2003 | Basceri et al. | 2004/0062081 | A1 | 4/2004 | Drewes |
| 2003/0168948 | A1 | 9/2003 | Yamagishi et al. | 2004/0063289 | A1 | 4/2004 | Ohta |
| 2003/0170153 | A1 | 9/2003 | Bar-Gadda | 2004/0065255 | A1 | 4/2004 | Yang et al. |
| 2003/0170583 | A1 | 9/2003 | Nakashima | 2004/0069226 | A1 | 4/2004 | Yoshida et al. |
| 2003/0170945 | A1 | 9/2003 | Igeta | 2004/0071897 | A1 | 4/2004 | Verplancken et al. |
| 2003/0173030 | A1 | 9/2003 | Ishii et al. | 2004/0077182 | A1 | 4/2004 | Lim et al. |
| 2003/0173490 | A1 | 9/2003 | Lappen | 2004/0079960 | A1 | 4/2004 | Shakuda |
| 2003/0176074 | A1 | 9/2003 | Paterson et al. | 2004/0080697 | A1 | 4/2004 | Song |
| 2003/0178145 | A1 | 9/2003 | Anderson et al. | 2004/0082171 | A1 | 4/2004 | Shin et al. |
| 2003/0180458 | A1 | 9/2003 | Sneh | 2004/0083961 | A1 | 5/2004 | Basceri |
| 2003/0183156 | A1 | 10/2003 | Dando | 2004/0083964 | A1 | 5/2004 | Ingle et al. |
| 2003/0183856 | A1 | 10/2003 | Wieczorek et al. | 2004/0083975 | A1 | 5/2004 | Tong et al. |
| | | | | 2004/0087141 | A1 | 5/2004 | Ramanathan et al. |
| | | | | 2004/0087168 | A1 | 5/2004 | Granneman et al. |
| | | | | 2004/0089078 | A1 | 5/2004 | Gehner et al. |
| | | | | 2004/0089236 | A1 | 5/2004 | Yokogawa et al. |

(56)

References Cited

U.S. PATENT DOCUMENTS

| | | | | | | | |
|--------------|----|---------|----------------------|--------------|----|--------|-------------------|
| 2004/0092073 | A1 | 5/2004 | Cabral et al. | 2005/0003600 | A1 | 1/2005 | Kasai et al. |
| 2004/0092120 | A1 | 5/2004 | Wicker | 2005/0003662 | A1 | 1/2005 | Jurisch et al. |
| 2004/0093963 | A1 | 5/2004 | Gehner et al. | 2005/0008799 | A1 | 1/2005 | Tomiyasu et al. |
| 2004/0094206 | A1 | 5/2004 | Ishida | 2005/0009325 | A1 | 1/2005 | Chung et al. |
| 2004/0094402 | A1 | 5/2004 | Gopalraja | 2005/0016470 | A1 | 1/2005 | Kang et al. |
| 2004/0095074 | A1 | 5/2004 | Ishii et al. | 2005/0016956 | A1 | 1/2005 | Liu et al. |
| 2004/0099213 | A1 | 5/2004 | Adomaitis et al. | 2005/0017272 | A1 | 1/2005 | Yamashita et al. |
| 2004/0101622 | A1 | 5/2004 | Park et al. | 2005/0019026 | A1 | 1/2005 | Wang et al. |
| 2004/0103914 | A1 | 6/2004 | Cheng et al. | 2005/0019494 | A1 | 1/2005 | Moghadam et al. |
| 2004/0105738 | A1 | 6/2004 | Ahn et al. | 2005/0019960 | A1 | 1/2005 | Lee et al. |
| 2004/0106249 | A1 | 6/2004 | Huotari | 2005/0020071 | A1 | 1/2005 | Sonobe et al. |
| 2004/0115936 | A1 | 6/2004 | DePetrillo et al. | 2005/0023624 | A1 | 2/2005 | Ahn et al. |
| 2004/0121620 | A1 | 6/2004 | Pomarede et al. | 2005/0026402 | A1 | 2/2005 | Jurgensen |
| 2004/0124131 | A1 | 7/2004 | Aitchison | 2005/0033075 | A1 | 2/2005 | Chi et al. |
| 2004/0124549 | A1 | 7/2004 | Curran | 2005/0034664 | A1 | 2/2005 | Koh et al. |
| 2004/0126213 | A1 | 7/2004 | Pelzmann et al. | 2005/0034674 | A1 | 2/2005 | Ono |
| 2004/0126990 | A1 | 7/2004 | Ohta | 2005/0037154 | A1 | 2/2005 | Koh et al. |
| 2004/0127069 | A1 | 7/2004 | Yamazaki et al. | 2005/0037578 | A1 | 2/2005 | Chen et al. |
| 2004/0129211 | A1 | 7/2004 | Blonigan et al. | 2005/0037610 | A1 | 2/2005 | Cha |
| 2004/0129671 | A1 | 7/2004 | Ji et al. | 2005/0037619 | A1 | 2/2005 | Granneman et al. |
| 2004/0134429 | A1 | 7/2004 | Yamanaka | 2005/0040144 | A1 | 2/2005 | Sellers |
| 2004/0142577 | A1 | 7/2004 | Sugawara et al. | 2005/0042778 | A1 | 2/2005 | Peukert |
| 2004/0144311 | A1 | 7/2004 | Chen | 2005/0046825 | A1 | 3/2005 | Powell et al. |
| 2004/0144323 | A1 | 7/2004 | Kai | 2005/0048797 | A1 | 3/2005 | Fukazawa |
| 2004/0144980 | A1 | 7/2004 | Ahn et al. | 2005/0051093 | A1 | 3/2005 | Makino et al. |
| 2004/0146644 | A1 | 7/2004 | Xia et al. | 2005/0051100 | A1 | 3/2005 | Chiang et al. |
| 2004/0151844 | A1 | 8/2004 | Zhang et al. | 2005/0054175 | A1 | 3/2005 | Bauer |
| 2004/0151845 | A1 | 8/2004 | Nguyen et al. | 2005/0054198 | A1 | 3/2005 | Um |
| 2004/0152287 | A1 | 8/2004 | Sherrill et al. | 2005/0054228 | A1 | 3/2005 | March |
| 2004/0159343 | A1 | 8/2004 | Shimbara et al. | 2005/0056218 | A1 | 3/2005 | Sun et al. |
| 2004/0168627 | A1 | 9/2004 | Conley et al. | 2005/0056780 | A1 | 3/2005 | Miller et al. |
| 2004/0168742 | A1 | 9/2004 | Kim et al. | 2005/0059261 | A1 | 3/2005 | Basceri et al. |
| 2004/0168769 | A1 | 9/2004 | Matsuoka et al. | 2005/0059262 | A1 | 3/2005 | Yin et al. |
| 2004/0169032 | A1 | 9/2004 | Murayama et al. | 2005/0059264 | A1 | 3/2005 | Cheung |
| 2004/0185177 | A1 | 9/2004 | Basceri et al. | 2005/0061964 | A1 | 3/2005 | Nagano et al. |
| 2004/0187304 | A1 | 9/2004 | Chen et al. | 2005/0063451 | A1 | 3/2005 | Abe et al. |
| 2004/0187777 | A1 | 9/2004 | Okamoto et al. | 2005/0064207 | A1 | 3/2005 | Senzaki et al. |
| 2004/0187784 | A1 | 9/2004 | Sferlazzo | 2005/0064719 | A1 | 3/2005 | Liu |
| 2004/0187790 | A1 | 9/2004 | Bader | 2005/0066893 | A1 | 3/2005 | Soininen |
| 2004/0187928 | A1 | 9/2004 | Ambrosina | 2005/0069651 | A1 | 3/2005 | Miyoshi |
| 2004/0198069 | A1 | 10/2004 | Metzner et al. | 2005/0070123 | A1 | 3/2005 | Hirano |
| 2004/0200499 | A1 | 10/2004 | Harvey et al. | 2005/0070128 | A1 | 3/2005 | Xia et al. |
| 2004/0202786 | A1 | 10/2004 | Wongsenakhum et al. | 2005/0070729 | A1 | 3/2005 | Kiyomori et al. |
| 2004/0203251 | A1 | 10/2004 | Kawaguchi et al. | 2005/0072357 | A1 | 4/2005 | Shero et al. |
| 2004/0206305 | A1 | 10/2004 | Choi et al. | 2005/0074576 | A1 | 4/2005 | Chaiken et al. |
| 2004/0208228 | A1 | 10/2004 | Hashikura et al. | 2005/0074983 | A1 | 4/2005 | Shinriki et al. |
| 2004/0209477 | A1 | 10/2004 | Buxbaum et al. | 2005/0079124 | A1 | 4/2005 | Sanderson |
| 2004/0211357 | A1 | 10/2004 | Gadgil | 2005/0079691 | A1 | 4/2005 | Kim et al. |
| 2004/0212947 | A1 | 10/2004 | Nguyen | 2005/0092247 | A1 | 5/2005 | Schmidt |
| 2004/0213921 | A1 | 10/2004 | Leu | 2005/0092249 | A1 | 5/2005 | Kilpela et al. |
| 2004/0214399 | A1 | 10/2004 | Ahn et al. | 2005/0092733 | A1 | 5/2005 | Ito et al. |
| 2004/0214445 | A1 | 10/2004 | Shimizu et al. | 2005/0095770 | A1 | 5/2005 | Kumagai et al. |
| 2004/0217217 | A1 | 11/2004 | Han et al. | 2005/0095779 | A1 | 5/2005 | Park et al. |
| 2004/0219793 | A1 | 11/2004 | Hishiya et al. | 2005/0095859 | A1 | 5/2005 | Chen et al. |
| 2004/0220699 | A1 | 11/2004 | Heden et al. | 2005/0098107 | A1 | 5/2005 | Du Bois et al. |
| 2004/0221807 | A1 | 11/2004 | Vergheese et al. | 2005/0100669 | A1 | 5/2005 | Kools et al. |
| 2004/0221808 | A1 | 11/2004 | Kawano | 2005/0101154 | A1 | 5/2005 | Huang |
| 2004/0223893 | A1 | 11/2004 | Tabata et al. | 2005/0101843 | A1 | 5/2005 | Quinn et al. |
| 2004/0226515 | A1 | 11/2004 | Yendler et al. | 2005/0106762 | A1 | 5/2005 | Chakrapani et al. |
| 2004/0228968 | A1 | 11/2004 | Basceri | 2005/0106893 | A1 | 5/2005 | Wilk |
| 2004/0231600 | A1 | 11/2004 | Lee | 2005/0107627 | A1 | 5/2005 | Dussarrat et al. |
| 2004/0238523 | A1 | 12/2004 | Kuibira et al. | 2005/0109461 | A1 | 5/2005 | Sun |
| 2004/0241322 | A1 | 12/2004 | Basceri et al. | 2005/0110069 | A1 | 5/2005 | Kil et al. |
| 2004/0241998 | A1 | 12/2004 | Hanson | 2005/0115946 | A1 | 6/2005 | Shim et al. |
| 2004/0245091 | A1 | 12/2004 | Karim et al. | 2005/0118804 | A1 | 6/2005 | Byun et al. |
| 2004/0247779 | A1 | 12/2004 | Selvamanickam et al. | 2005/0118837 | A1 | 6/2005 | Todd |
| 2004/0250600 | A1 | 12/2004 | Bervers et al. | 2005/0120805 | A1 | 6/2005 | Lane |
| 2004/0253867 | A1 | 12/2004 | Matsumoto | 2005/0120962 | A1 | 6/2005 | Ushioda et al. |
| 2004/0261492 | A1 | 12/2004 | Zarkar et al. | 2005/0121145 | A1 | 6/2005 | Du Bois et al. |
| 2004/0261712 | A1 | 12/2004 | Hayashi et al. | 2005/0123690 | A1 | 6/2005 | Derderian et al. |
| 2004/0261946 | A1 | 12/2004 | Endoh et al. | 2005/0130427 | A1 | 6/2005 | Seok-Jun |
| 2004/0266011 | A1 | 12/2004 | Lee et al. | 2005/0132957 | A1 | 6/2005 | El-Raghy |
| 2005/0000428 | A1 | 1/2005 | Shero et al. | 2005/0133160 | A1 | 6/2005 | Kennedy et al. |
| 2005/0001062 | A1 | 1/2005 | McCracken et al. | 2005/0133161 | A1 | 6/2005 | Carpenter et al. |
| 2005/0003089 | A1 | 1/2005 | Won et al. | 2005/0136188 | A1 | 6/2005 | Chang |
| | | | | 2005/0139160 | A1 | 6/2005 | Lei et al. |
| | | | | 2005/0141591 | A1 | 6/2005 | Sakano |
| | | | | 2005/0142361 | A1 | 6/2005 | Nakanishi |
| | | | | 2005/0145338 | A1 | 7/2005 | Park et al. |

(56)

References Cited

U.S. PATENT DOCUMENTS

| | | | | | | | |
|--------------|----|---------|------------------------|--------------|----|--------|----------------------|
| 2005/0148162 | A1 | 7/2005 | Chen et al. | 2006/0006538 | A1 | 1/2006 | Allman et al. |
| 2005/0150601 | A1 | 7/2005 | Srivastava | 2006/0009044 | A1 | 1/2006 | Igeta |
| 2005/0151184 | A1 | 7/2005 | Lee et al. | 2006/0013674 | A1 | 1/2006 | Elliott et al. |
| 2005/0153571 | A1 | 7/2005 | Senzaki | 2006/0013946 | A1 | 1/2006 | Park et al. |
| 2005/0160987 | A1 | 7/2005 | Kasai et al. | 2006/0014384 | A1 | 1/2006 | Lee et al. |
| 2005/0161434 | A1 | 7/2005 | Sugawara et al. | 2006/0014397 | A1 | 1/2006 | Seamons et al. |
| 2005/0172895 | A1 | 8/2005 | Kijima et al. | 2006/0016783 | A1 | 1/2006 | Wu et al. |
| 2005/0173003 | A1 | 8/2005 | Laverdiere et al. | 2006/0019033 | A1 | 1/2006 | Muthukrishnan et al. |
| 2005/0175789 | A1 | 8/2005 | Helms | 2006/0019502 | A1 | 1/2006 | Park et al. |
| 2005/0178333 | A1 | 8/2005 | Loke et al. | 2006/0021572 | A1 | 2/2006 | Wolden |
| 2005/0181535 | A1 | 8/2005 | Yun et al. | 2006/0021573 | A1 | 2/2006 | Monsma et al. |
| 2005/0181555 | A1 | 8/2005 | Haukka et al. | 2006/0021703 | A1 | 2/2006 | Umotoy et al. |
| 2005/0183827 | A1 | 8/2005 | White et al. | 2006/0024439 | A2 | 2/2006 | Tuominen et al. |
| 2005/0186688 | A1 | 8/2005 | Basceri | 2006/0026314 | A1 | 2/2006 | Franchuk et al. |
| 2005/0187647 | A1 | 8/2005 | Wang et al. | 2006/0032443 | A1 | 2/2006 | Hasebe et al. |
| 2005/0191828 | A1 | 9/2005 | Al-Bayati et al. | 2006/0040054 | A1 | 2/2006 | Pearlstein et al. |
| 2005/0193948 | A1 | 9/2005 | Oohirabaru et al. | 2006/0040508 | A1 | 2/2006 | Ji |
| 2005/0199013 | A1 | 9/2005 | Vandroux et al. | 2006/0046518 | A1 | 3/2006 | Hill et al. |
| 2005/0199342 | A1 | 9/2005 | Shajii et al. | 2006/0048710 | A1 | 3/2006 | Horiguchi et al. |
| 2005/0201908 | A1 | 9/2005 | Nakamura et al. | 2006/0051505 | A1 | 3/2006 | Kortshagen et al. |
| 2005/0208217 | A1 | 9/2005 | Shinriki et al. | 2006/0051520 | A1 | 3/2006 | Behle et al. |
| 2005/0208219 | A1 | 9/2005 | Basceri | 2006/0051925 | A1 | 3/2006 | Ahn et al. |
| 2005/0208718 | A1 | 9/2005 | Lim et al. | 2006/0057799 | A1 | 3/2006 | Horiguchi et al. |
| 2005/0211167 | A1 | 9/2005 | Gunji | 2006/0057828 | A1 | 3/2006 | Omura |
| 2005/0211384 | A1 | 9/2005 | Hayashi | 2006/0060930 | A1 | 3/2006 | Metz et al. |
| 2005/0212119 | A1 | 9/2005 | Shero | 2006/0062910 | A1 | 3/2006 | Meiere |
| 2005/0214457 | A1 | 9/2005 | Schmitt et al. | 2006/0063346 | A1 | 3/2006 | Lee et al. |
| 2005/0214458 | A1 | 9/2005 | Meiere | 2006/0068097 | A1 | 3/2006 | Yamasaki et al. |
| 2005/0208778 | A1 | 10/2005 | Li | 2006/0068104 | A1 | 3/2006 | Ishizaka |
| 2005/0218462 | A1 | 10/2005 | Ahn et al. | 2006/0068121 | A1 | 3/2006 | Lee et al. |
| 2005/0221021 | A1 | 10/2005 | Strang | 2006/0068125 | A1 | 3/2006 | Radhakrishnan |
| 2005/0221618 | A1 | 10/2005 | AmRhein et al. | 2006/0081558 | A1 | 4/2006 | Collins et al. |
| 2005/0223982 | A1 | 10/2005 | Park et al. | 2006/0087638 | A1 | 4/2006 | Hirayanagi |
| 2005/0223994 | A1 | 10/2005 | Blomiley et al. | 2006/0090702 | A1 | 5/2006 | Koo et al. |
| 2005/0227502 | A1 | 10/2005 | Schmitt et al. | 2006/0093756 | A1 | 5/2006 | Rajagopalan et al. |
| 2005/0229848 | A1 | 10/2005 | Shinriki | 2006/0094236 | A1 | 5/2006 | Elkins et al. |
| 2005/0229849 | A1 | 10/2005 | Silvetti et al. | 2006/0096540 | A1 | 5/2006 | Choi |
| 2005/0229972 | A1 | 10/2005 | Hoshi et al. | 2006/0099782 | A1 | 5/2006 | Ritenour |
| 2005/0233477 | A1 | 10/2005 | Yamazaki et al. | 2006/0102968 | A1 | 5/2006 | Bojarczuk et al. |
| 2005/0238807 | A1 | 10/2005 | Lin et al. | 2006/0105566 | A1 | 5/2006 | Waklfried et al. |
| 2005/0241176 | A1 | 11/2005 | Shero et al. | 2006/0107898 | A1 | 5/2006 | Blomberg |
| 2005/0241763 | A1 | 11/2005 | Huang et al. | 2006/0108221 | A1 | 5/2006 | Goodwin et al. |
| 2005/0241765 | A1 | 11/2005 | Dhindsa et al. | 2006/0108331 | A1 | 5/2006 | Nozawa et al. |
| 2005/0245058 | A1 | 11/2005 | Lee et al. | 2006/0110934 | A1 | 5/2006 | Fukuchi |
| 2005/0249876 | A1 | 11/2005 | Kawahara et al. | 2006/0113038 | A1 | 6/2006 | Gondhalekar et al. |
| 2005/0250340 | A1 | 11/2005 | Chen et al. | 2006/0113675 | A1 | 6/2006 | Chang et al. |
| 2005/0251990 | A1 | 11/2005 | Choi | 2006/0113806 | A1 | 6/2006 | Tsuji et al. |
| 2005/0252447 | A1 | 11/2005 | Zhao et al. | 2006/0118240 | A1 | 6/2006 | Holber et al. |
| 2005/0252449 | A1 | 11/2005 | Nguyen et al. | 2006/0125099 | A1 | 6/2006 | Gordon et al. |
| 2005/0252455 | A1 | 11/2005 | Moriya et al. | 2006/0127067 | A1 | 6/2006 | Wintenberger et al. |
| 2005/0253061 | A1 | 11/2005 | Cameron et al. | 2006/0128142 | A1 | 6/2006 | Whelan et al. |
| 2005/0255257 | A1 | 11/2005 | Choi et al. | 2006/0128168 | A1 | 6/2006 | Ahn et al. |
| 2005/0255327 | A1 | 11/2005 | Chaney et al. | 2006/0130767 | A1 | 6/2006 | Herchen |
| 2005/0258280 | A1 | 11/2005 | Goto et al. | 2006/0137608 | A1 | 6/2006 | Choi et al. |
| 2005/0260347 | A1 | 11/2005 | Narwankar et al. | 2006/0137609 | A1 | 6/2006 | Puchacz et al. |
| 2005/0260837 | A1 | 11/2005 | Walther et al. | 2006/0141155 | A1 | 6/2006 | Gordon et al. |
| 2005/0260850 | A1 | 11/2005 | Loke | 2006/0144820 | A1 | 7/2006 | Sawin et al. |
| 2005/0263072 | A1 | 12/2005 | Balasubramanian et al. | 2006/0147626 | A1 | 7/2006 | Blomberg |
| 2005/0263075 | A1 | 12/2005 | Wang et al. | 2006/0148180 | A1 | 7/2006 | Ahn et al. |
| 2005/0263719 | A1 | 12/2005 | Ohdaira et al. | 2006/0151117 | A1 | 7/2006 | Kasanami et al. |
| 2005/0263932 | A1 | 12/2005 | Heugel | 2006/0154424 | A1 | 7/2006 | Yang et al. |
| 2005/0268856 | A1 | 12/2005 | Miller et al. | 2006/0156981 | A1 | 7/2006 | Fondurulia |
| 2005/0271812 | A1 | 12/2005 | Myo et al. | 2006/0162658 | A1 | 7/2006 | Weidman |
| 2005/0271813 | A1 | 12/2005 | Kher et al. | 2006/0162863 | A1 | 7/2006 | Kim et al. |
| 2005/0272247 | A1 | 12/2005 | Ikeda | 2006/0163612 | A1 | 7/2006 | Kouvetakis et al. |
| 2005/0274323 | A1 | 12/2005 | Seidel et al. | 2006/0163683 | A1 | 7/2006 | Roth et al. |
| 2005/0277271 | A1 | 12/2005 | Beintner | 2006/0165892 | A1 | 7/2006 | Weidman |
| 2005/0282101 | A1 | 12/2005 | Adachi | 2006/0166428 | A1 | 7/2006 | Kamioka |
| 2005/0282350 | A1 | 12/2005 | Chou et al. | 2006/0172531 | A1 | 8/2006 | Lin et al. |
| 2005/0284573 | A1 | 12/2005 | Egley et al. | 2006/0175669 | A1 | 8/2006 | Kim et al. |
| 2005/0284991 | A1 | 12/2005 | Saez | 2006/0177855 | A1 | 8/2006 | Utermohlen |
| 2005/0285097 | A1 | 12/2005 | Shang et al. | 2006/0182885 | A1 | 8/2006 | Lei et al. |
| 2005/0287725 | A1 | 12/2005 | Kitagawa | 2006/0185589 | A1 | 8/2006 | Zehavi et al. |
| 2005/0287771 | A1 | 12/2005 | Seamons et al. | 2006/0188360 | A1 | 8/2006 | Bonora et al. |
| 2006/0000411 | A1 | 1/2006 | Seo | 2006/0191555 | A1 | 8/2006 | Yoshida et al. |
| | | | | 2006/0193979 | A1 | 8/2006 | Meiere et al. |
| | | | | 2006/0196418 | A1 | 9/2006 | Lindfors et al. |
| | | | | 2006/0196420 | A1 | 9/2006 | Ushakov et al. |
| | | | | 2006/0196421 | A1 | 9/2006 | Ronsse et al. |

(56)

References Cited

U.S. PATENT DOCUMENTS

| | | | | | | | |
|--------------|----|---------|------------------------|--------------|----|--------|------------------------|
| 2006/0199357 | A1 | 9/2006 | Wan et al. | 2007/0037343 | A1 | 2/2007 | Colombo et al. |
| 2006/0205194 | A1 | 9/2006 | Bauer | 2007/0037412 | A1 | 2/2007 | Dip et al. |
| 2006/0205223 | A1 | 9/2006 | Smayling | 2007/0042117 | A1 | 2/2007 | Kupurao et al. |
| 2006/0205231 | A1 | 9/2006 | Chou et al. | 2007/0042581 | A1 | 2/2007 | Sano et al. |
| 2006/0208215 | A1 | 9/2006 | Metzner et al. | 2007/0044716 | A1 | 3/2007 | Tetsuka et al. |
| 2006/0211243 | A1 | 9/2006 | Ishizaka et al. | 2007/0045244 | A1 | 3/2007 | Lee et al. |
| 2006/0211259 | A1 | 9/2006 | Maes | 2007/0047384 | A1 | 3/2007 | McLaughlin et al. |
| 2006/0213437 | A1 | 9/2006 | Ishizaka et al. | 2007/0048953 | A1 | 3/2007 | Gealy et al. |
| 2006/0213439 | A1 | 9/2006 | Ishizaka | 2007/0049053 | A1 | 3/2007 | Mahajani |
| 2006/0216942 | A1 | 9/2006 | Kim et al. | 2007/0051299 | A1 | 3/2007 | Ong et al. |
| 2006/0219169 | A1 | 10/2006 | Chen et al. | 2007/0051312 | A1 | 3/2007 | Sneh |
| 2006/0219361 | A1 | 10/2006 | Wang et al. | 2007/0051471 | A1 | 3/2007 | Kawaguchi et al. |
| 2006/0219363 | A1 | 10/2006 | Matsumoto et al. | 2007/0054049 | A1 | 3/2007 | Lindfors et al. |
| 2006/0223301 | A1 | 10/2006 | Vanhaelemeersch et al. | 2007/0054499 | A1 | 3/2007 | Jang |
| 2006/0226117 | A1 | 10/2006 | Bertram et al. | 2007/0056843 | A1 | 3/2007 | Ye et al. |
| 2006/0228496 | A1 | 10/2006 | Choi | 2007/0056850 | A1 | 3/2007 | Ye et al. |
| 2006/0228863 | A1 | 10/2006 | Zhang et al. | 2007/0059948 | A1 | 3/2007 | Metzner et al. |
| 2006/0228888 | A1 | 10/2006 | Lee et al. | 2007/0062439 | A1 | 3/2007 | Wada et al. |
| 2006/0228898 | A1 | 10/2006 | Wajda | 2007/0062453 | A1 | 3/2007 | Ishikawa |
| 2006/0236934 | A1 | 10/2006 | Choi et al. | 2007/0062646 | A1 | 3/2007 | Ogawa et al. |
| 2006/0240187 | A1 | 10/2006 | Weidman | 2007/0065578 | A1 | 3/2007 | McDougall |
| 2006/0240574 | A1 | 10/2006 | Yoshie | 2007/0066010 | A1 | 3/2007 | Ando |
| 2006/0240662 | A1 | 10/2006 | Conley et al. | 2007/0066038 | A1 | 3/2007 | Sadjadi et al. |
| 2006/0247404 | A1 | 11/2006 | Todd | 2007/0066079 | A1 | 3/2007 | Kolster et al. |
| 2006/0249253 | A1 | 11/2006 | Dando | 2007/0066084 | A1 | 3/2007 | Wajda et al. |
| 2006/0251827 | A1 | 11/2006 | Nowak | 2007/0074665 | A1 | 4/2007 | Chacin et al. |
| 2006/0252228 | A1 | 11/2006 | Jeng | 2007/0077355 | A1 | 4/2007 | Chacin et al. |
| 2006/0252351 | A1 | 11/2006 | Kundracik | 2007/0082132 | A1 | 4/2007 | Shinriki |
| 2006/0254514 | A1 | 11/2006 | Kang et al. | 2007/0082500 | A1 | 4/2007 | Norman et al. |
| 2006/0257563 | A1 | 11/2006 | Doh et al. | 2007/0082508 | A1 | 4/2007 | Chiang et al. |
| 2006/0257584 | A1 | 11/2006 | Derderian et al. | 2007/0084405 | A1 | 4/2007 | Kim |
| 2006/0258078 | A1 | 11/2006 | Lee et al. | 2007/0087296 | A1 | 4/2007 | Kim et al. |
| 2006/0258173 | A1 | 11/2006 | Xiao et al. | 2007/0087579 | A1 | 4/2007 | Kitayama et al. |
| 2006/0260545 | A1 | 11/2006 | Ramaswamy et al. | 2007/0089670 | A1 | 4/2007 | Ikedo |
| 2006/0263522 | A1 | 11/2006 | Byun | 2007/0095283 | A1 | 5/2007 | Galewski |
| 2006/0263540 | A1 | 11/2006 | Ramaswamy et al. | 2007/0095286 | A1 | 5/2007 | Baek et al. |
| 2006/0264060 | A1 | 11/2006 | Ramaswamy et al. | 2007/0096194 | A1 | 5/2007 | Streck et al. |
| 2006/0264066 | A1 | 11/2006 | Bartholomew | 2007/0098527 | A1 | 5/2007 | Hall et al. |
| 2006/0266289 | A1 | 11/2006 | Vergheese et al. | 2007/0107845 | A1 | 5/2007 | Ishizawa et al. |
| 2006/0269690 | A1 | 11/2006 | Watanabe et al. | 2007/0111470 | A1 | 5/2007 | Smythe |
| 2006/0269692 | A1 | 11/2006 | Balseanu | 2007/0111545 | A1 | 5/2007 | Lee et al. |
| 2006/0275710 | A1 | 12/2006 | Yamazaki et al. | 2007/0113788 | A1 | 5/2007 | Nozawa et al. |
| 2006/0275933 | A1 | 12/2006 | Du Bois et al. | 2007/0116872 | A1 | 5/2007 | Li et al. |
| 2006/0278524 | A1 | 12/2006 | Stowell | 2007/0116873 | A1 | 5/2007 | Li et al. |
| 2006/0283629 | A1 | 12/2006 | Kikuchi et al. | 2007/0116887 | A1 | 5/2007 | Faguet |
| 2006/0286774 | A1 | 12/2006 | Singh et al. | 2007/0116888 | A1 | 5/2007 | Faguet |
| 2006/0286775 | A1 | 12/2006 | Singh et al. | 2007/0119370 | A1 | 5/2007 | Ma et al. |
| 2006/0286817 | A1 | 12/2006 | Kato et al. | 2007/0120275 | A1 | 5/2007 | Liu |
| 2006/0286818 | A1 | 12/2006 | Wang et al. | 2007/0123037 | A1 | 5/2007 | Lee et al. |
| 2006/0286819 | A1 | 12/2006 | Seutter | 2007/0123189 | A1 | 5/2007 | Saito et al. |
| 2006/0291982 | A1 | 12/2006 | Tanaka | 2007/0125762 | A1 | 6/2007 | Cui et al. |
| 2006/0292310 | A1 | 12/2006 | Le et al. | 2007/0128538 | A1 | 6/2007 | Fairbairn et al. |
| 2006/0292845 | A1 | 12/2006 | Chiang et al. | 2007/0128858 | A1 | 6/2007 | Haukka et al. |
| 2007/0004204 | A1 | 1/2007 | Fukazawa et al. | 2007/0128876 | A1 | 6/2007 | Fukiage |
| 2007/0006806 | A1 | 1/2007 | Imai | 2007/0128888 | A1 | 6/2007 | Goto et al. |
| 2007/0010072 | A1 | 1/2007 | Bailey et al. | 2007/0129621 | A1 | 6/2007 | Kellogg et al. |
| 2007/0012402 | A1 | 1/2007 | Sneh | 2007/0131168 | A1 | 6/2007 | Gomi et al. |
| 2007/0014919 | A1 | 1/2007 | Hamalainen et al. | 2007/0134919 | A1 | 6/2007 | Gunji et al. |
| 2007/0020160 | A1 | 1/2007 | Berkman et al. | 2007/0134942 | A1 | 6/2007 | Ahn et al. |
| 2007/0020167 | A1 | 1/2007 | Han et al. | 2007/0137794 | A1 | 6/2007 | Qiu et al. |
| 2007/0020830 | A1 | 1/2007 | Speranza | 2007/0146621 | A1 | 6/2007 | Yeom |
| 2007/0020953 | A1 | 1/2007 | Tsai et al. | 2007/0148347 | A1 | 6/2007 | Hatanpaa et al. |
| 2007/0022954 | A1 | 2/2007 | Iizuka et al. | 2007/0148350 | A1 | 6/2007 | Rahtu |
| 2007/0026148 | A1 | 2/2007 | Arai et al. | 2007/0148990 | A1 | 6/2007 | Deboer et al. |
| 2007/0026162 | A1 | 2/2007 | Wei et al. | 2007/0153625 | A1 | 6/2007 | Lundgren et al. |
| 2007/0026540 | A1 | 2/2007 | Nooten et al. | 2007/0155138 | A1 | 7/2007 | Tomasini et al. |
| 2007/0028842 | A1 | 2/2007 | Inagawa et al. | 2007/0157466 | A1 | 7/2007 | Kida et al. |
| 2007/0031598 | A1 | 2/2007 | Okuyama et al. | 2007/0157683 | A1 | 7/2007 | Li |
| 2007/0031599 | A1 | 2/2007 | Gschwandtner et al. | 2007/0158026 | A1 | 7/2007 | Amikura |
| 2007/0032004 | A1 | 2/2007 | Ramaswamy et al. | 2007/0163440 | A1 | 7/2007 | Kim et al. |
| 2007/0032045 | A1 | 2/2007 | Kasahara et al. | 2007/0163625 | A1 | 7/2007 | Lee |
| 2007/0032054 | A1 | 2/2007 | Ramaswamy et al. | 2007/0163996 | A1 | 7/2007 | Horiguchi |
| 2007/0032082 | A1 | 2/2007 | Ramaswamy et al. | 2007/0166457 | A1 | 7/2007 | Yamoto et al. |
| 2007/0032095 | A1 | 2/2007 | Ramaswamy et al. | 2007/0166966 | A1 | 7/2007 | Todd et al. |
| 2007/0034477 | A1 | 2/2007 | Inui | 2007/0166999 | A1 | 7/2007 | Vaarstra |
| | | | | 2007/0170372 | A1 | 7/2007 | Horsky |
| | | | | 2007/0173071 | A1 | 7/2007 | Afzali-Ardakani et al. |
| | | | | 2007/0175393 | A1 | 8/2007 | Nishimura et al. |
| | | | | 2007/0175397 | A1 | 8/2007 | Tomiyasu et al. |

(56)

References Cited

U.S. PATENT DOCUMENTS

- | | | | | | | | |
|--------------|----|---------|----------------------|--------------|----|--------|-----------------------|
| 2007/0178235 | A1 | 8/2007 | Yamada et al. | 2008/0026574 | A1 | 1/2008 | Brcka |
| 2007/0181066 | A1 | 8/2007 | Cadwell et al. | 2008/0026597 | A1 | 1/2008 | Munro et al. |
| 2007/0184179 | A1 | 8/2007 | Waghray et al. | 2008/0029790 | A1 | 2/2008 | Ahn et al. |
| 2007/0186849 | A1 | 8/2007 | Furuya | 2008/0031708 | A1 | 2/2008 | Bonora et al. |
| 2007/0186952 | A1 | 8/2007 | Honda et al. | 2008/0035055 | A1 | 2/2008 | Dip et al. |
| 2007/0187362 | A1 | 8/2007 | Nakagawa et al. | 2008/0035306 | A1 | 2/2008 | White et al. |
| 2007/0187363 | A1 | 8/2007 | Oka et al. | 2008/0036354 | A1 | 2/2008 | Letz et al. |
| 2007/0190266 | A1 | 8/2007 | Fu et al. | 2008/0038485 | A1 | 2/2008 | Fukazawa et al. |
| 2007/0190362 | A1 | 8/2007 | Weidman | 2008/0038934 | A1 | 2/2008 | Vrtis et al. |
| 2007/0190744 | A1 | 8/2007 | Hiraiwa et al. | 2008/0042165 | A1 | 2/2008 | Sugizaki |
| 2007/0190782 | A1 | 8/2007 | Park | 2008/0042192 | A1 | 2/2008 | Park et al. |
| 2007/0199510 | A1 | 8/2007 | Weiner et al. | 2008/0043803 | A1 | 2/2008 | Bandoh |
| 2007/0202678 | A1 | 8/2007 | Plombon et al. | 2008/0044938 | A1 | 2/2008 | England et al. |
| 2007/0207275 | A1 | 9/2007 | Nowak et al. | 2008/0050536 | A1 | 2/2008 | Aing et al. |
| 2007/0209588 | A1 | 9/2007 | Li et al. | 2008/0050538 | A1 | 2/2008 | Hirata |
| 2007/0209590 | A1 | 9/2007 | Li | 2008/0054332 | A1 | 3/2008 | Kim et al. |
| 2007/0210890 | A1 | 9/2007 | Hsu et al. | 2008/0054813 | A1 | 3/2008 | Espiau et al. |
| 2007/0212484 | A1 | 9/2007 | Li | 2008/0056860 | A1 | 3/2008 | Natume |
| 2007/0212811 | A1 | 9/2007 | Hanawa et al. | 2008/0057659 | A1 | 3/2008 | Forbes et al. |
| 2007/0212827 | A1 | 9/2007 | Girotra et al. | 2008/0061667 | A1 | 3/2008 | Gaertner et al. |
| 2007/0215048 | A1 | 9/2007 | Suzuki et al. | 2008/0063798 | A1 | 3/2008 | Kher et al. |
| 2007/0215580 | A1 | 9/2007 | Koshiishi et al. | 2008/0066778 | A1 | 3/2008 | Matsushita et al. |
| 2007/0218200 | A1 | 9/2007 | Suzuki et al. | 2008/0067146 | A1 | 3/2008 | Onishi et al. |
| 2007/0218705 | A1 | 9/2007 | Matsuki et al. | 2008/0069955 | A1 | 3/2008 | Hong et al. |
| 2007/0224777 | A1 | 9/2007 | Hamelin | 2008/0072821 | A1 | 3/2008 | Dalton et al. |
| 2007/0224833 | A1 | 9/2007 | Morisada et al. | 2008/0075562 | A1 | 3/2008 | Maria et al. |
| 2007/0227665 | A1 | 10/2007 | Matsumoto et al. | 2008/0075838 | A1 | 3/2008 | Inoue et al. |
| 2007/0231488 | A1 | 10/2007 | Von Kaenel | 2008/0075881 | A1 | 3/2008 | Won et al. |
| 2007/0232031 | A1 | 10/2007 | Singh et al. | 2008/0076070 | A1 | 3/2008 | Koh et al. |
| 2007/0232071 | A1 | 10/2007 | Balseanu et al. | 2008/0076266 | A1 | 3/2008 | Fukazawa et al. |
| 2007/0232501 | A1 | 10/2007 | Tomomura | 2008/0076281 | A1 | 3/2008 | Ciancanelli et al. |
| 2007/0234955 | A1 | 10/2007 | Suzuki et al. | 2008/0081104 | A1 | 4/2008 | Hasebe et al. |
| 2007/0237697 | A1 | 10/2007 | Clark | 2008/0081113 | A1 | 4/2008 | Clark |
| 2007/0237698 | A1 | 10/2007 | Clark | 2008/0081121 | A1 | 4/2008 | Morita et al. |
| 2007/0237699 | A1 | 10/2007 | Clark | 2008/0083710 | A1 | 4/2008 | Chen et al. |
| 2007/0238305 | A1 | 10/2007 | Delgadino et al. | 2008/0083948 | A1 | 4/2008 | Lin et al. |
| 2007/0241688 | A1 | 10/2007 | DeVincentis et al. | 2008/0085226 | A1 | 4/2008 | Fondurulia et al. |
| 2007/0243317 | A1 | 10/2007 | Du Bois et al. | 2008/0085610 | A1 | 4/2008 | Wang et al. |
| 2007/0247075 | A1 | 10/2007 | Kim et al. | 2008/0087218 | A1 | 4/2008 | Shimada et al. |
| 2007/0248767 | A1 | 10/2007 | Okura | 2008/0087642 | A1 | 4/2008 | Sawin et al. |
| 2007/0249131 | A1 | 10/2007 | Allen et al. | 2008/0087890 | A1 | 4/2008 | Ahn et al. |
| 2007/0251444 | A1 | 11/2007 | Gros-Jean et al. | 2008/0092815 | A1 | 4/2008 | Chen et al. |
| 2007/0251456 | A1 | 11/2007 | Herchen et al. | 2008/0099147 | A1 | 5/2008 | Myo et al. |
| 2007/0252233 | A1 | 11/2007 | Yamazaki et al. | 2008/0102203 | A1 | 5/2008 | Wu |
| 2007/0252244 | A1 | 11/2007 | Srividya et al. | 2008/0102205 | A1 | 5/2008 | Barry et al. |
| 2007/0252532 | A1 | 11/2007 | DeVincentis et al. | 2008/0102208 | A1 | 5/2008 | Wu et al. |
| 2007/0254414 | A1 | 11/2007 | Miyanami | 2008/0102603 | A1 | 5/2008 | Kobayashi et al. |
| 2007/0258506 | A1 | 11/2007 | Schwagerman et al. | 2008/0102630 | A1 | 5/2008 | Saito |
| 2007/0258855 | A1 | 11/2007 | Turcot et al. | 2008/0105276 | A1 | 5/2008 | Yeh et al. |
| 2007/0259778 | A1 | 11/2007 | Spencer et al. | 2008/0113094 | A1 | 5/2008 | Casper |
| 2007/0261868 | A1 | 11/2007 | Gross | 2008/0113096 | A1 | 5/2008 | Mahajani |
| 2007/0264807 | A1 | 11/2007 | Leone et al. | 2008/0113097 | A1 | 5/2008 | Mahajani et al. |
| 2007/0266932 | A1 | 11/2007 | Hiramatsu | 2008/0118334 | A1 | 5/2008 | Bonora |
| 2007/0266945 | A1 | 11/2007 | Shuto et al. | 2008/0121177 | A1 | 5/2008 | Bang et al. |
| 2007/0269983 | A1 | 11/2007 | Sneh | 2008/0121626 | A1 | 5/2008 | Thomas et al. |
| 2007/0275166 | A1 | 11/2007 | Thridandam et al. | 2008/0121962 | A1 | 5/2008 | Forbes et al. |
| 2007/0277735 | A1 | 12/2007 | Mokhesi et al. | 2008/0124197 | A1 | 5/2008 | van der Meulen et al. |
| 2007/0281082 | A1 | 12/2007 | Mokhesi et al. | 2008/0124908 | A1 | 5/2008 | Forbes et al. |
| 2007/0281105 | A1 | 12/2007 | Mokhesi et al. | 2008/0124945 | A1 | 5/2008 | Miya et al. |
| 2007/0281496 | A1 | 12/2007 | Ingle et al. | 2008/0124946 | A1 | 5/2008 | Xiao et al. |
| 2007/0286957 | A1 | 12/2007 | Suzuki et al. | 2008/0128726 | A1 | 6/2008 | Sakata et al. |
| 2007/0289534 | A1 | 12/2007 | Lubomirsky et al. | 2008/0129209 | A1 | 6/2008 | Deakins et al. |
| 2007/0292974 | A1 | 12/2007 | Mizuno et al. | 2008/0132046 | A1 | 6/2008 | Walther |
| 2007/0295602 | A1 | 12/2007 | Tiller et al. | 2008/0133154 | A1 | 6/2008 | Krauss et al. |
| 2007/0298362 | A1 | 12/2007 | Rocha-Alvarez et al. | 2008/0134887 | A1 | 6/2008 | Sherer |
| 2007/0298565 | A1 | 12/2007 | Nieh et al. | 2008/0142483 | A1 | 6/2008 | Hua |
| 2008/0003425 | A1 | 1/2008 | Spencer et al. | 2008/0146033 | A1 | 6/2008 | Park |
| 2008/0003824 | A1 | 1/2008 | Padhi et al. | 2008/0149031 | A1 | 6/2008 | Chu et al. |
| 2008/0003838 | A1 | 1/2008 | Haukka et al. | 2008/0149593 | A1 | 6/2008 | Bai et al. |
| 2008/0006208 | A1 | 1/2008 | Ueno et al. | 2008/0152463 | A1 | 6/2008 | Chidambaram et al. |
| 2008/0018004 | A1 | 1/2008 | Steidl | 2008/0153308 | A1 | 6/2008 | Ogawa et al. |
| 2008/0020591 | A1 | 1/2008 | Balseanu et al. | 2008/0153311 | A1 | 6/2008 | Padhi et al. |
| 2008/0020593 | A1 | 1/2008 | Wang et al. | 2008/0156769 | A1 | 7/2008 | Weiner et al. |
| 2008/0023436 | A1 | 1/2008 | Gros-Jean et al. | 2008/0157157 | A1 | 7/2008 | Tomomura |
| 2008/0026162 | A1 | 1/2008 | Dickey et al. | 2008/0157365 | A1 | 7/2008 | Ott et al. |
| | | | | 2008/0173237 | A1 | 7/2008 | Collins |
| | | | | 2008/0173238 | A1 | 7/2008 | Nakashima et al. |
| | | | | 2008/0173240 | A1 | 7/2008 | Furukawahara |
| | | | | 2008/0173326 | A1 | 7/2008 | Gu et al. |

(56)

References Cited

U.S. PATENT DOCUMENTS

| | | | | | | | |
|--------------|----|---------|--------------------|--------------|----|---------|--------------------|
| 2008/0176335 | A1 | 7/2008 | Alberti et al. | 2008/0317972 | A1 | 12/2008 | Hendriks |
| 2008/0176375 | A1 | 7/2008 | Erben et al. | 2009/0000550 | A1 | 1/2009 | Tran et al. |
| 2008/0176412 | A1 | 7/2008 | Komeda | 2009/0000551 | A1 | 1/2009 | Choi et al. |
| 2008/0178608 | A1 | 7/2008 | Tandou et al. | 2009/0000769 | A1 | 1/2009 | Lin et al. |
| 2008/0178805 | A1 | 7/2008 | Paterson et al. | 2009/0004875 | A1 | 1/2009 | Shen et al. |
| 2008/0179104 | A1 | 7/2008 | Zhang | 2009/0011145 | A1 | 1/2009 | Yun |
| 2008/0179291 | A1 | 7/2008 | Collins et al. | 2009/0011150 | A1 | 1/2009 | Jeon et al. |
| 2008/0179715 | A1 | 7/2008 | Coppa | 2009/0011608 | A1 | 1/2009 | Nabatame |
| 2008/0182075 | A1 | 7/2008 | Chopra | 2009/0014879 | A1 | 1/2009 | Park et al. |
| 2008/0182390 | A1 | 7/2008 | Lemmi et al. | 2009/0017227 | A1 | 1/2009 | Fu et al. |
| 2008/0182411 | A1 | 7/2008 | Elers | 2009/0017631 | A1 | 1/2009 | Bencher |
| 2008/0191193 | A1 | 8/2008 | Li et al. | 2009/0017733 | A1 | 1/2009 | Takahashi et al. |
| 2008/0193643 | A1 | 8/2008 | Dip | 2009/0020072 | A1 | 1/2009 | Mizunaga et al. |
| 2008/0194105 | A1 | 8/2008 | Dominguez et al. | 2009/0023229 | A1 | 1/2009 | Matsushita |
| 2008/0199977 | A1 | 8/2008 | Weigel et al. | 2009/0029503 | A1 | 1/2009 | Arai |
| 2008/0202416 | A1 | 8/2008 | Provencher | 2009/0029528 | A1 | 1/2009 | Sanchez et al. |
| 2008/0202689 | A1 | 8/2008 | Kim | 2009/0029564 | A1 | 1/2009 | Yamashita et al. |
| 2008/0203487 | A1 | 8/2008 | Hohage et al. | 2009/0033907 | A1 | 2/2009 | Watson |
| 2008/0205483 | A1 | 8/2008 | Rempe et al. | 2009/0035584 | A1 | 2/2009 | Tran et al. |
| 2008/0210278 | A1 | 9/2008 | Orii et al. | 2009/0035927 | A1 | 2/2009 | Olsen et al. |
| 2008/0211423 | A1 | 9/2008 | Shinmen et al. | 2009/0035947 | A1 | 2/2009 | Horii |
| 2008/0211526 | A1 | 9/2008 | Shinma | 2009/0036292 | A1 | 2/2009 | Sun et al. |
| 2008/0213696 | A1 | 9/2008 | Meeus et al. | 2009/0041952 | A1 | 2/2009 | Yoon et al. |
| 2008/0214003 | A1 | 9/2008 | Xia et al. | 2009/0041984 | A1 | 2/2009 | Mayers et al. |
| 2008/0216077 | A1 | 9/2008 | Emani et al. | 2009/0042344 | A1 | 2/2009 | Ye et al. |
| 2008/0216742 | A1 | 9/2008 | Takebayashi | 2009/0042408 | A1 | 2/2009 | Maeda |
| 2008/0216958 | A1 | 9/2008 | Goto et al. | 2009/0045749 | A1 | 2/2009 | Ganachev et al. |
| 2008/0220619 | A1 | 9/2008 | Matsushita et al. | 2009/0045829 | A1 | 2/2009 | Awazu |
| 2008/0223130 | A1 | 9/2008 | Snell et al. | 2009/0047426 | A1 | 2/2009 | Park et al. |
| 2008/0224240 | A1 | 9/2008 | Ahn et al. | 2009/0047433 | A1 | 2/2009 | Kim et al. |
| 2008/0228306 | A1 | 9/2008 | Yetter et al. | 2009/0047447 | A1 | 2/2009 | Sawin et al. |
| 2008/0230371 | A1 | 9/2008 | McHugh | 2009/0050621 | A1 | 2/2009 | Awazu |
| 2008/0233288 | A1 | 9/2008 | Clark | 2009/0052498 | A1 | 2/2009 | Halpin et al. |
| 2008/0237572 | A1 | 10/2008 | Chui et al. | 2009/0053023 | A1 | 2/2009 | Wakabayashi |
| 2008/0241052 | A1 | 10/2008 | Hooper et al. | 2009/0053900 | A1 | 2/2009 | Nozawa et al. |
| 2008/0241384 | A1 | 10/2008 | Jeong | 2009/0053906 | A1 | 2/2009 | Miya et al. |
| 2008/0241387 | A1 | 10/2008 | Keto | 2009/0056112 | A1 | 3/2009 | Kobayashi |
| 2008/0242116 | A1 | 10/2008 | Clark | 2009/0056629 | A1 | 3/2009 | Katz et al. |
| 2008/0248310 | A1 | 10/2008 | Kim et al. | 2009/0057269 | A1 | 3/2009 | Katz et al. |
| 2008/0248597 | A1 | 10/2008 | Qin et al. | 2009/0061083 | A1 | 3/2009 | Chiang et al. |
| 2008/0257102 | A1 | 10/2008 | Packer | 2009/0061644 | A1 | 3/2009 | Chiang et al. |
| 2008/0257494 | A1 | 10/2008 | Hayashi et al. | 2009/0061647 | A1 | 3/2009 | Mallick et al. |
| 2008/0260345 | A1 | 10/2008 | Mertesdorf et al. | 2009/0075490 | A1 | 3/2009 | Dussarrat |
| 2008/0260963 | A1 | 10/2008 | Yoon et al. | 2009/0075491 | A1 | 3/2009 | Liu et al. |
| 2008/0261405 | A1 | 10/2008 | Yang et al. | 2009/0081879 | A1 | 3/2009 | Sukekawa et al. |
| 2008/0261413 | A1 | 10/2008 | Mahajani | 2009/0084317 | A1 | 4/2009 | Wu |
| 2008/0264337 | A1 | 10/2008 | Sano et al. | 2009/0085156 | A1 | 4/2009 | Dewey et al. |
| 2008/0264443 | A1 | 10/2008 | Shrinivasan et al. | 2009/0087585 | A1 | 4/2009 | Lee et al. |
| 2008/0267598 | A1 | 10/2008 | Nakamura | 2009/0087964 | A1 | 4/2009 | Maeda et al. |
| 2008/0268171 | A1 | 10/2008 | Ma et al. | 2009/0087967 | A1 | 4/2009 | Todd |
| 2008/0268635 | A1 | 10/2008 | Yu et al. | 2009/0090382 | A1 | 4/2009 | Morisada |
| 2008/0272424 | A1 | 11/2008 | Kim et al. | 2009/0093080 | A1 | 4/2009 | Choi et al. |
| 2008/0274369 | A1 | 11/2008 | Lee et al. | 2009/0093094 | A1 | 4/2009 | Ye et al. |
| 2008/0277647 | A1 | 11/2008 | Kouvetakis et al. | 2009/0095221 | A1 | 4/2009 | Tam et al. |
| 2008/0277656 | A1 | 11/2008 | Park et al. | 2009/0104351 | A1 | 4/2009 | Kakegawa |
| 2008/0277715 | A1 | 11/2008 | Ohmi et al. | 2009/0104594 | A1 | 4/2009 | Webb |
| 2008/0282970 | A1 | 11/2008 | Heys et al. | 2009/0104789 | A1 | 4/2009 | Mallick et al. |
| 2008/0283962 | A1 | 11/2008 | Dyer | 2009/0107404 | A1 | 4/2009 | Ogliari et al. |
| 2008/0286463 | A1 | 11/2008 | Tiner et al. | 2009/0108308 | A1 | 4/2009 | Yang et al. |
| 2008/0289574 | A1 | 11/2008 | Jacobs et al. | 2009/0112458 | A1 | 4/2009 | Nakai |
| 2008/0289650 | A1 | 11/2008 | Arena | 2009/0115064 | A1 | 5/2009 | Sandhu et al. |
| 2008/0289767 | A1 | 11/2008 | Tandou et al. | 2009/0116936 | A1 | 5/2009 | Marubayashi et al. |
| 2008/0291964 | A1 | 11/2008 | Shrimpling | 2009/0117717 | A1 | 5/2009 | Tomasini et al. |
| 2008/0295872 | A1 | 12/2008 | Riker et al. | 2009/0117746 | A1 | 5/2009 | Masuda |
| 2008/0298945 | A1 | 12/2008 | Cox | 2009/0120580 | A1 | 5/2009 | Kagoshima et al. |
| 2008/0299326 | A1 | 12/2008 | Fukazawa | 2009/0122293 | A1 | 5/2009 | Shibazaki |
| 2008/0299758 | A1 | 12/2008 | Harada et al. | 2009/0122458 | A1 | 5/2009 | Lischer et al. |
| 2008/0302303 | A1 | 12/2008 | Choi et al. | 2009/0124131 | A1 | 5/2009 | Breunsbach et al. |
| 2008/0303744 | A1 | 12/2008 | Hirayama et al. | 2009/0130331 | A1 | 5/2009 | Asai |
| 2008/0305014 | A1 | 12/2008 | Honda | 2009/0130859 | A1 | 5/2009 | Itatani et al. |
| 2008/0305246 | A1 | 12/2008 | Choi et al. | 2009/0136665 | A1 | 5/2009 | Choi et al. |
| 2008/0305443 | A1 | 12/2008 | Nakamura | 2009/0136668 | A1 | 5/2009 | Gregg et al. |
| 2008/0314319 | A1 | 12/2008 | Hamano et al. | 2009/0136683 | A1 | 5/2009 | Fukazawa et al. |
| 2008/0314892 | A1 | 12/2008 | Graham | 2009/0137055 | A1 | 5/2009 | Bognar |
| 2008/0315292 | A1 | 12/2008 | Ji et al. | 2009/0139657 | A1 | 6/2009 | Lee et al. |
| | | | | 2009/0142905 | A1 | 6/2009 | Yamazaki |
| | | | | 2009/0142933 | A1 | 6/2009 | Yajima et al. |
| | | | | 2009/0142935 | A1 | 6/2009 | Fukazawa et al. |
| | | | | 2009/0146322 | A1 | 6/2009 | Weling et al. |

(56)

References Cited

U.S. PATENT DOCUMENTS

| | | | | | | | |
|--------------|----|---------|--------------------|--------------|----|---------|-------------------|
| 2009/0147819 | A1 | 6/2009 | Goodman et al. | 2009/0315093 | A1 | 12/2009 | Li et al. |
| 2009/0155488 | A1 | 6/2009 | Nakano et al. | 2009/0317214 | A1 | 12/2009 | Hsiao et al. |
| 2009/0156015 | A1 | 6/2009 | Park et al. | 2009/0320754 | A1 | 12/2009 | Oya |
| 2009/0156017 | A1 | 6/2009 | Fukazawa et al. | 2009/0320881 | A1 | 12/2009 | Aitchison |
| 2009/0159000 | A1 | 6/2009 | Aggarwal et al. | 2009/0324971 | A1 | 12/2009 | De Vries et al. |
| 2009/0159002 | A1 | 6/2009 | Bera et al. | 2009/0324989 | A1 | 12/2009 | Witz et al. |
| 2009/0159424 | A1 | 6/2009 | Liu et al. | 2009/0325391 | A1 | 12/2009 | De Vusser et al. |
| 2009/0162647 | A1 | 6/2009 | Sun et al. | 2009/0325469 | A1 | 12/2009 | Koo et al. |
| 2009/0162996 | A1 | 6/2009 | Ramaswamy et al. | 2010/0000608 | A1 | 1/2010 | Goto et al. |
| 2009/0163038 | A1 | 6/2009 | Miyoshi | 2010/0001409 | A1 | 1/2010 | Humbert et al. |
| 2009/0165715 | A1 | 7/2009 | Oh | 2010/0003406 | A1 | 1/2010 | Lam et al. |
| 2009/0165721 | A1 | 7/2009 | Pitney et al. | 2010/0006031 | A1 | 1/2010 | Choi et al. |
| 2009/0165722 | A1 | 7/2009 | Ha | 2010/0006923 | A1 | 1/2010 | Fujitsuka |
| 2009/0166616 | A1 | 7/2009 | Uchiyama | 2010/0012036 | A1 | 1/2010 | Silva et al. |
| 2009/0179365 | A1 | 7/2009 | Lerner et al. | 2010/0014479 | A1 | 1/2010 | Kim |
| 2009/0183520 | A1 | 7/2009 | Yukimoto | 2010/0015813 | A1 | 1/2010 | McGinnis et al. |
| 2009/0186479 | A1 | 7/2009 | Okabe et al. | 2010/0018460 | A1 | 1/2010 | Singh et al. |
| 2009/0186571 | A1 | 7/2009 | Haro | 2010/0018913 | A1 | 1/2010 | Blum |
| 2009/0194233 | A1 | 8/2009 | Tamura et al. | 2010/0022097 | A1 | 1/2010 | Yamoto et al. |
| 2009/0197015 | A1 | 8/2009 | Kudela et al. | 2010/0024727 | A1 | 2/2010 | Kim et al. |
| 2009/0197411 | A1 | 8/2009 | Dussarrat et al. | 2010/0024872 | A1 | 2/2010 | Kishimoto |
| 2009/0200494 | A1 | 8/2009 | Hatem | 2010/0025766 | A1 | 2/2010 | Nuttinck et al. |
| 2009/0200547 | A1 | 8/2009 | Griffin et al. | 2010/0025796 | A1 | 2/2010 | Dabiran |
| 2009/0204403 | A1 | 8/2009 | Hollander et al. | 2010/0032587 | A1 | 2/2010 | Hosch et al. |
| 2009/0206056 | A1 | 8/2009 | Xu | 2010/0032842 | A1 | 2/2010 | Herdt et al. |
| 2009/0209081 | A1 | 8/2009 | Matero | 2010/0034719 | A1 | 2/2010 | Dussarrat et al. |
| 2009/0211523 | A1 | 8/2009 | Kuppurao et al. | 2010/0040441 | A1 | 2/2010 | Obikane |
| 2009/0211525 | A1 | 8/2009 | Sarigiannis et al. | 2010/0041179 | A1 | 2/2010 | Lee |
| 2009/0214825 | A1 | 8/2009 | Sun et al. | 2010/0041243 | A1 | 2/2010 | Cheng et al. |
| 2009/0217871 | A1 | 9/2009 | Kim et al. | 2010/0046321 | A1 | 2/2010 | McLaughlin et al. |
| 2009/0221149 | A1 | 9/2009 | Hammond et al. | 2010/0050943 | A1 | 3/2010 | Kato et al. |
| 2009/0221151 | A1 | 9/2009 | Honda et al. | 2010/0051584 | A1 | 3/2010 | Okita et al. |
| 2009/0223441 | A1 | 9/2009 | Arena et al. | 2010/0051597 | A1 | 3/2010 | Morita et al. |
| 2009/0227094 | A1 | 9/2009 | Bateman | 2010/0055312 | A1 | 3/2010 | Kato et al. |
| 2009/0230211 | A1 | 9/2009 | Kobayashi et al. | 2010/0055316 | A1 | 3/2010 | Honma |
| 2009/0232985 | A1 | 9/2009 | Dussarrat et al. | 2010/0055318 | A1 | 3/2010 | Volf et al. |
| 2009/0236014 | A1 | 9/2009 | Wilson | 2010/0055442 | A1 | 3/2010 | Kellock |
| 2009/0236276 | A1 | 9/2009 | Kurth et al. | 2010/0055898 | A1 | 3/2010 | Chang et al. |
| 2009/0239386 | A1 | 9/2009 | Suzaki et al. | 2010/0058984 | A1 | 3/2010 | Marubayashi |
| 2009/0242130 | A1 | 10/2009 | Tian et al. | 2010/0065758 | A1 | 3/2010 | Liu et al. |
| 2009/0242957 | A1 | 10/2009 | Ma et al. | 2010/0068009 | A1 | 3/2010 | Kimura |
| 2009/0246374 | A1 | 10/2009 | Vukovic | 2010/0068383 | A1 | 3/2010 | Kato et al. |
| 2009/0246399 | A1 | 10/2009 | Goundar | 2010/0068414 | A1 | 3/2010 | Takahashi et al. |
| 2009/0246971 | A1 | 10/2009 | Reid et al. | 2010/0068891 | A1 | 3/2010 | Hatanaka et al. |
| 2009/0250004 | A1 | 10/2009 | Yamada et al. | 2010/0075037 | A1 | 3/2010 | Marsh et al. |
| 2009/0250955 | A1 | 10/2009 | Aoki | 2010/0075507 | A1 | 3/2010 | Chang et al. |
| 2009/0255901 | A1 | 10/2009 | Okita | 2010/0078601 | A1 | 4/2010 | Pallem et al. |
| 2009/0256127 | A1 | 10/2009 | Feist et al. | 2010/0078746 | A1 | 4/2010 | Jung |
| 2009/0261331 | A1 | 10/2009 | Yang et al. | 2010/0081094 | A1 | 4/2010 | Hasebe et al. |
| 2009/0266296 | A1 | 10/2009 | Tachibana et al. | 2010/0081293 | A1 | 4/2010 | Mallick et al. |
| 2009/0267135 | A1 | 10/2009 | Tanaka et al. | 2010/0086703 | A1 | 4/2010 | Mangum et al. |
| 2009/0267225 | A1 | 10/2009 | Eguchi | 2010/0087069 | A1 | 4/2010 | Miya et al. |
| 2009/0269506 | A1 | 10/2009 | Okura et al. | 2010/0089320 | A1 | 4/2010 | Kim |
| 2009/0269507 | A1 | 10/2009 | Yu et al. | 2010/0089870 | A1 | 4/2010 | Hiroshima et al. |
| 2009/0269941 | A1 | 10/2009 | Raisanen | 2010/0090149 | A1 | 4/2010 | Thompson et al. |
| 2009/0275205 | A1 | 11/2009 | Kiehlbauch et al. | 2010/0092679 | A1 | 4/2010 | Lee et al. |
| 2009/0275210 | A1 | 11/2009 | Shanker et al. | 2010/0092696 | A1 | 4/2010 | Shinriki |
| 2009/0277510 | A1 | 11/2009 | Shikata | 2010/0093187 | A1 | 4/2010 | Lee et al. |
| 2009/0277874 | A1 | 11/2009 | Rui et al. | 2010/0094430 | A1 | 4/2010 | Krumdieck |
| 2009/0280248 | A1 | 11/2009 | Goodman et al. | 2010/0098862 | A1 | 4/2010 | Xu et al. |
| 2009/0283041 | A1 | 11/2009 | Tomiyasu et al. | 2010/0101728 | A1 | 4/2010 | Iwasaki |
| 2009/0283217 | A1 | 11/2009 | Lubomirsky et al. | 2010/0102417 | A1 | 4/2010 | Ganguli et al. |
| 2009/0284156 | A1 | 11/2009 | Banna et al. | 2010/0105936 | A1 | 4/2010 | Tada et al. |
| 2009/0286400 | A1 | 11/2009 | Heo et al. | 2010/0111648 | A1 | 5/2010 | Tamura et al. |
| 2009/0286402 | A1 | 11/2009 | Xia et al. | 2010/0112496 | A1 | 5/2010 | Nakajima et al. |
| 2009/0286405 | A1 | 11/2009 | Okesaku et al. | 2010/0116207 | A1 | 5/2010 | Givens |
| 2009/0289300 | A1 | 11/2009 | Sasaki et al. | 2010/0116209 | A1 | 5/2010 | Kato |
| 2009/0297710 | A1 | 12/2009 | Lindfors | 2010/0119439 | A1 | 5/2010 | Shindou |
| 2009/0298257 | A1 | 12/2009 | Lee et al. | 2010/0119727 | A1 | 5/2010 | Takagi |
| 2009/0302002 | A1 | 12/2009 | Collins et al. | 2010/0120261 | A1 | 5/2010 | Kim et al. |
| 2009/0302434 | A1 | 12/2009 | Pallem et al. | 2010/0124610 | A1 | 5/2010 | Aikawa et al. |
| 2009/0304558 | A1 | 12/2009 | Patton | 2010/0124618 | A1 | 5/2010 | Kobayashi et al. |
| 2009/0308315 | A1 | 12/2009 | de Ridder | 2010/0124621 | A1 | 5/2010 | Kobayashi et al. |
| 2009/0308425 | A1 | 12/2009 | Yednak | 2010/0126415 | A1 | 5/2010 | Ishino et al. |
| 2009/0311857 | A1 | 12/2009 | Todd et al. | 2010/0126539 | A1 | 5/2010 | Lee et al. |
| | | | | 2010/0126605 | A1 | 5/2010 | Stones |
| | | | | 2010/0126666 | A1 | 5/2010 | Tandou et al. |
| | | | | 2010/0129548 | A1 | 5/2010 | Sneh |
| | | | | 2010/0129990 | A1 | 5/2010 | Nishizawa et al. |

(56)

References Cited

U.S. PATENT DOCUMENTS

| | | | | | | | |
|--------------|----|---------|---------------------|--------------|----|---------|--------------------|
| 2010/0130015 | A1 | 5/2010 | Nakajima et al. | 2010/0297391 | A1 | 11/2010 | Kley |
| 2010/0130017 | A1 | 5/2010 | Luo et al. | 2010/0301752 | A1 | 12/2010 | Bakre et al. |
| 2010/0130105 | A1 | 5/2010 | Lee | 2010/0304047 | A1 | 12/2010 | Yang et al. |
| 2010/0134023 | A1 | 6/2010 | Mills | 2010/0307415 | A1 | 12/2010 | Shero et al. |
| 2010/0136216 | A1 | 6/2010 | Tsuei et al. | 2010/0317177 | A1 | 12/2010 | Huang et al. |
| 2010/0140221 | A1 | 6/2010 | Kikuchi et al. | 2010/0317198 | A1 | 12/2010 | Antonelli |
| 2010/0140684 | A1 | 6/2010 | Ozawa | 2010/0322604 | A1 | 12/2010 | Fondurulia et al. |
| 2010/0143609 | A1 | 6/2010 | Fukazawa et al. | 2010/0326358 | A1 | 12/2010 | Choi |
| 2010/0144150 | A1 | 6/2010 | Sills et al. | 2011/0000619 | A1 | 1/2011 | Suh |
| 2010/0144162 | A1 | 6/2010 | Lee et al. | 2011/0003087 | A1 | 1/2011 | Soininen et al. |
| 2010/0144968 | A1 | 6/2010 | Lee et al. | 2011/0003450 | A1 | 1/2011 | Lee et al. |
| 2010/0145547 | A1 | 6/2010 | Darabnia et al. | 2011/0005684 | A1 | 1/2011 | Hayami et al. |
| 2010/0151206 | A1 | 6/2010 | Wu et al. | 2011/0006402 | A1 | 1/2011 | Zhou |
| 2010/0159638 | A1 | 6/2010 | Jeong | 2011/0006406 | A1 | 1/2011 | Urbanowicz et al. |
| 2010/0159707 | A1 | 6/2010 | Huang et al. | 2011/0008950 | A1 | 1/2011 | Xu |
| 2010/0162752 | A1 | 7/2010 | Tabata et al. | 2011/0014359 | A1 | 1/2011 | Hashim |
| 2010/0162956 | A1 | 7/2010 | Murakami et al. | 2011/0014795 | A1 | 1/2011 | Lee |
| 2010/0163524 | A1 | 7/2010 | Arai | 2011/0017139 | A1 | 1/2011 | Chiang et al. |
| 2010/0163937 | A1 | 7/2010 | Clendenning | 2011/0021033 | A1 | 1/2011 | Ikeuchi et al. |
| 2010/0166630 | A1 | 7/2010 | Gu et al. | 2011/0027725 | A1 | 2/2011 | Tsutsumi et al. |
| 2010/0168404 | A1 | 7/2010 | Girolami et al. | 2011/0027999 | A1 | 2/2011 | Sparks et al. |
| 2010/0170441 | A1 | 7/2010 | Won et al. | 2011/0031562 | A1 | 2/2011 | Lin et al. |
| 2010/0170868 | A1 | 7/2010 | Lin et al. | 2011/0034039 | A1 | 2/2011 | Liang et al. |
| 2010/0173432 | A1 | 7/2010 | White et al. | 2011/0039419 | A1 | 2/2011 | Date et al. |
| 2010/0178137 | A1 | 7/2010 | Chintalapati et al. | 2011/0041764 | A1 | 2/2011 | Webb et al. |
| 2010/0178423 | A1 | 7/2010 | Shimizu et al. | 2011/0042200 | A1 | 2/2011 | Wilby |
| 2010/0180819 | A1 | 7/2010 | Hatanaka et al. | 2011/0045610 | A1 | 2/2011 | van Schravendijk |
| 2010/0183825 | A1 | 7/2010 | Becker et al. | 2011/0045676 | A1 | 2/2011 | Park et al. |
| 2010/0184302 | A1 | 7/2010 | Lee et al. | 2011/0046314 | A1 | 2/2011 | Klipp et al. |
| 2010/0186669 | A1 | 7/2010 | Shin et al. | 2011/0048642 | A1 | 3/2011 | Mihara et al. |
| 2010/0189923 | A1 | 7/2010 | Goundar et al. | 2011/0048769 | A1 | 3/2011 | Fujiwara |
| 2010/0193501 | A1 | 8/2010 | Zucker et al. | 2011/0049100 | A1 | 3/2011 | Han et al. |
| 2010/0193955 | A1 | 8/2010 | Milligan et al. | 2011/0052833 | A1 | 3/2011 | Hanawa et al. |
| 2010/0195392 | A1 | 8/2010 | Freeman | 2011/0053383 | A1 | 3/2011 | Shero et al. |
| 2010/0197107 | A1 | 8/2010 | Matsuzaki | 2011/0056513 | A1 | 3/2011 | Hombach et al. |
| 2010/0202860 | A1 | 8/2010 | Reed | 2011/0056626 | A1 | 3/2011 | Brown et al. |
| 2010/0203242 | A1 | 8/2010 | Borden | 2011/0057248 | A1 | 3/2011 | Ma et al. |
| 2010/0206767 | A1 | 8/2010 | Odashima et al. | 2011/0061810 | A1 | 3/2011 | Ganguly et al. |
| 2010/0209598 | A1 | 8/2010 | Xu et al. | 2011/0065289 | A1 | 3/2011 | Asai |
| 2010/0210108 | A1 | 8/2010 | Ishizaka et al. | 2011/0067522 | A1 | 3/2011 | Lai |
| 2010/0219757 | A1 | 9/2010 | Benzerrouk et al. | 2011/0070380 | A1 | 3/2011 | Shero et al. |
| 2010/0221452 | A1 | 9/2010 | Kang | 2011/0070740 | A1 | 3/2011 | Bettencourt et al. |
| 2010/0224130 | A1 | 9/2010 | Smith et al. | 2011/0076401 | A1 | 3/2011 | Chao et al. |
| 2010/0227458 | A1 | 9/2010 | Chung et al. | 2011/0081519 | A1 | 4/2011 | Dillingh |
| 2010/0229795 | A1 | 9/2010 | Tanabe | 2011/0083496 | A1 | 4/2011 | Lin et al. |
| 2010/0229965 | A1 | 9/2010 | Kashima et al. | 2011/0086516 | A1 | 4/2011 | Lee et al. |
| 2010/0230051 | A1 | 9/2010 | Lizuka | 2011/0089166 | A1 | 4/2011 | Hunter et al. |
| 2010/0230863 | A1 | 9/2010 | Moench et al. | 2011/0089469 | A1 | 4/2011 | Merckling |
| 2010/0233885 | A1 | 9/2010 | Kushibiki et al. | 2011/0092077 | A1 | 4/2011 | Xu et al. |
| 2010/0233886 | A1 | 9/2010 | Yang et al. | 2011/0097901 | A1 | 4/2011 | Banna et al. |
| 2010/0236691 | A1 | 9/2010 | Yamazaki | 2011/0098841 | A1 | 4/2011 | Tsuda |
| 2010/0243166 | A1 | 9/2010 | Hayashi et al. | 2011/0104395 | A1 | 5/2011 | Kumagai et al. |
| 2010/0244688 | A1 | 9/2010 | Braun et al. | 2011/0107512 | A1 | 5/2011 | Gilbert |
| 2010/0248465 | A1 | 9/2010 | Yi et al. | 2011/0108194 | A1 | 5/2011 | Yoshioka et al. |
| 2010/0252434 | A1 | 10/2010 | Roy | 2011/0108424 | A1 | 5/2011 | Puget et al. |
| 2010/0255196 | A1 | 10/2010 | Geisler et al. | 2011/0108741 | A1 | 5/2011 | Ingram |
| 2010/0255198 | A1 | 10/2010 | Cleary et al. | 2011/0108929 | A1 | 5/2011 | Meng |
| 2010/0255218 | A1 | 10/2010 | Oka et al. | 2011/0114261 | A1 | 5/2011 | Matsumoto et al. |
| 2010/0255625 | A1 | 10/2010 | De Vries | 2011/0114601 | A1 | 5/2011 | Lubomirsky et al. |
| 2010/0255658 | A1 | 10/2010 | Aggarwal | 2011/0115378 | A1 | 5/2011 | Lubomirsky et al. |
| 2010/0259152 | A1 | 10/2010 | Yasuda et al. | 2011/0117490 | A1 | 5/2011 | Bae et al. |
| 2010/0266765 | A1 | 10/2010 | White et al. | 2011/0117492 | A1 | 5/2011 | Yamada et al. |
| 2010/0267224 | A1 | 10/2010 | Choi et al. | 2011/0117732 | A1 | 5/2011 | Bauer et al. |
| 2010/0267248 | A1 | 10/2010 | Ma et al. | 2011/0117737 | A1 | 5/2011 | Agarwala et al. |
| 2010/0270675 | A1 | 10/2010 | Harada | 2011/0117749 | A1 | 5/2011 | Sheu |
| 2010/0246630 | A1 | 11/2010 | Kaszynski et al. | 2011/0121503 | A1 | 5/2011 | Burrows et al. |
| 2010/0275846 | A1 | 11/2010 | Kitagawa | 2011/0121736 | A1 | 5/2011 | Hirayama et al. |
| 2010/0279008 | A1 | 11/2010 | Takagi | 2011/0124196 | A1 | 5/2011 | Lee |
| 2010/0279512 | A1 | 11/2010 | Udea et al. | 2011/0132542 | A1 | 6/2011 | Ilzuka |
| 2010/0282163 | A1 | 11/2010 | Aggarwal et al. | 2011/0135842 | A1 | 6/2011 | Faguet et al. |
| 2010/0282170 | A1 | 11/2010 | Nishizawa | 2011/0139272 | A1 | 6/2011 | Matsumoto et al. |
| 2010/0282645 | A1 | 11/2010 | Wang | 2011/0139748 | A1 | 6/2011 | Donnelly et al. |
| 2010/0285237 | A1 | 11/2010 | Ditizio et al. | 2011/0140172 | A1 | 6/2011 | Chu |
| 2010/0285319 | A1 | 11/2010 | Kwak et al. | 2011/0140173 | A1 | 6/2011 | Ramdani |
| 2010/0294199 | A1 | 11/2010 | Tran et al. | 2011/0143032 | A1 | 6/2011 | Vrtis et al. |
| | | | | 2011/0143461 | A1 | 6/2011 | Fish et al. |
| | | | | 2011/0155264 | A1 | 6/2011 | Minami et al. |
| | | | | 2011/0155322 | A1 | 6/2011 | Himori et al. |
| | | | | 2011/0159200 | A1 | 6/2011 | Kogure |

(56)

References Cited

U.S. PATENT DOCUMENTS

| | | | | | | | |
|--------------|----|---------|------------------------|--------------|----|--------|---------------------|
| 2011/0159202 | A1 | 6/2011 | Matsushita | 2012/0024479 | A1 | 2/2012 | Palagashvili et al. |
| 2011/0159673 | A1 | 6/2011 | Hanawa et al. | 2012/0028454 | A1 | 2/2012 | Swaminathan et al. |
| 2011/0159680 | A1 | 6/2011 | Yoo | 2012/0028469 | A1 | 2/2012 | Onizawa et al. |
| 2011/0168330 | A1 | 7/2011 | Sakaue et al. | 2012/0031333 | A1 | 2/2012 | Kurita et al. |
| 2011/0171775 | A1 | 7/2011 | Yamamoto et al. | 2012/0031500 | A1 | 2/2012 | Hirose et al. |
| 2011/0175011 | A1 | 7/2011 | Ehrne et al. | 2012/0032311 | A1 | 2/2012 | Gates |
| 2011/0177648 | A1 | 7/2011 | Tanner et al. | 2012/0033695 | A1 | 2/2012 | Hayashi et al. |
| 2011/0180233 | A1 | 7/2011 | Bera et al. | 2012/0034793 | A1 | 2/2012 | Narushima et al. |
| 2011/0183079 | A1 | 7/2011 | Jackson et al. | 2012/0036732 | A1 | 2/2012 | Varadarajan |
| 2011/0183269 | A1 | 7/2011 | Zhu | 2012/0040097 | A1 | 2/2012 | Volf et al. |
| 2011/0183527 | A1 | 7/2011 | Cho | 2012/0040528 | A1 | 2/2012 | Kim et al. |
| 2011/0192820 | A1 | 8/2011 | Yeom et al. | 2012/0043556 | A1 | 2/2012 | Dube et al. |
| 2011/0198034 | A1 | 8/2011 | Sun et al. | 2012/0043617 | A1 | 2/2012 | Nakagawa et al. |
| 2011/0198417 | A1 | 8/2011 | Detmar et al. | 2012/0046421 | A1 | 2/2012 | Darling et al. |
| 2011/0198736 | A1 | 8/2011 | Shero et al. | 2012/0052681 | A1 | 3/2012 | Marsh |
| 2011/0204025 | A1 | 8/2011 | Tahara | 2012/0058270 | A1 | 3/2012 | Winter et al. |
| 2011/0207332 | A1 | 8/2011 | Liu et al. | 2012/0058630 | A1 | 3/2012 | Quinn |
| 2011/0210468 | A1 | 9/2011 | Shannon et al. | 2012/0064690 | A1 | 3/2012 | Hirota et al. |
| 2011/0217838 | A1 | 9/2011 | Hsieh et al. | 2012/0064726 | A1 | 3/2012 | Nozawa et al. |
| 2011/0220874 | A1 | 9/2011 | Hanrath | 2012/0064764 | A1 | 3/2012 | Islam |
| 2011/0223334 | A1 | 9/2011 | Yudovsky et al. | 2012/0068242 | A1 | 3/2012 | Shin et al. |
| 2011/0226421 | A1 | 9/2011 | Hayashi | 2012/0070136 | A1 | 3/2012 | Koelmel et al. |
| 2011/0232678 | A1 | 9/2011 | Shih et al. | 2012/0070997 | A1 | 3/2012 | Larson |
| 2011/0236201 | A1 | 9/2011 | Shende | 2012/0073400 | A1 | 3/2012 | Wang |
| 2011/0236594 | A1 | 9/2011 | Haverkamp et al. | 2012/0074533 | A1 | 3/2012 | Aoyama |
| 2011/0236600 | A1 | 9/2011 | Fox et al. | 2012/0077349 | A1 | 3/2012 | Li et al. |
| 2011/0237040 | A1 | 9/2011 | Ng et al. | 2012/0080756 | A1 | 4/2012 | Suzuki |
| 2011/0239936 | A1 | 10/2011 | Suzaki et al. | 2012/0083134 | A1 | 4/2012 | Wu et al. |
| 2011/0239940 | A1 | 10/2011 | Benvenuti et al. | 2012/0088031 | A1 | 4/2012 | Neel |
| 2011/0244673 | A1 | 10/2011 | Cho et al. | 2012/0090704 | A1 | 4/2012 | Laverdiere et al. |
| 2011/0253044 | A1 | 10/2011 | Tam et al. | 2012/0091522 | A1 | 4/2012 | Ozaki et al. |
| 2011/0254052 | A1 | 10/2011 | Kouvetakis | 2012/0094468 | A1 | 4/2012 | Bhatia et al. |
| 2011/0256675 | A1 | 10/2011 | Avouris | 2012/0098107 | A1 | 4/2012 | Raisanen et al. |
| 2011/0256724 | A1 | 10/2011 | Chandrasekharan et al. | 2012/0100464 | A1 | 4/2012 | Kageyama |
| 2011/0256726 | A1 | 10/2011 | Lavoie et al. | 2012/0103264 | A1 | 5/2012 | Choi et al. |
| 2011/0256727 | A1 | 10/2011 | Beynet et al. | 2012/0103522 | A1 | 5/2012 | Hohenwarter |
| 2011/0256734 | A1 | 10/2011 | Hausmann et al. | 2012/0103939 | A1 | 5/2012 | Wu et al. |
| 2011/0259519 | A1 | 10/2011 | Kenworthy et al. | 2012/0104514 | A1 | 5/2012 | Park et al. |
| 2011/0262642 | A1 | 10/2011 | Xiao et al. | 2012/0107607 | A1 | 5/2012 | Takaki et al. |
| 2011/0263107 | A1 | 10/2011 | Chung et al. | 2012/0108039 | A1 | 5/2012 | Zajaji |
| 2011/0263115 | A1 | 10/2011 | Ganguli et al. | 2012/0108048 | A1 | 5/2012 | Lim et al. |
| 2011/0264250 | A1 | 10/2011 | Nishimura et al. | 2012/0114877 | A1 | 5/2012 | Lee |
| 2011/0265549 | A1 | 11/2011 | Cruse et al. | 2012/0115250 | A1 | 5/2012 | Ariga et al. |
| 2011/0265715 | A1 | 11/2011 | Keller | 2012/0115257 | A1 | 5/2012 | Matsuyam et al. |
| 2011/0265725 | A1 | 11/2011 | Tsuji | 2012/0119337 | A1 | 5/2012 | Sasaki et al. |
| 2011/0265951 | A1 | 11/2011 | Xu et al. | 2012/0121823 | A1 | 5/2012 | Chhabra |
| 2011/0269314 | A1 | 11/2011 | Lee et al. | 2012/0122275 | A1 | 5/2012 | Koo et al. |
| 2011/0275018 | A1 | 11/2011 | Matteo et al. | 2012/0122302 | A1 | 5/2012 | Weisman et al. |
| 2011/0275166 | A1 | 11/2011 | Shero et al. | 2012/0122319 | A1 | 5/2012 | Shimizu |
| 2011/0277690 | A1 | 11/2011 | Rozenzon et al. | 2012/0125258 | A1 | 5/2012 | Lee |
| 2011/0281417 | A1 | 11/2011 | Gordon et al. | 2012/0126300 | A1 | 5/2012 | Park et al. |
| 2011/0283933 | A1 | 11/2011 | Makarov et al. | 2012/0128897 | A1 | 5/2012 | Xiao et al. |
| 2011/0291243 | A1 | 12/2011 | Seamons | 2012/0135145 | A1 | 5/2012 | Je et al. |
| 2011/0294075 | A1 | 12/2011 | Chen et al. | 2012/0139009 | A1 | 6/2012 | Ning et al. |
| 2011/0294288 | A1 | 12/2011 | Lee et al. | 2012/0145078 | A1 | 6/2012 | Huang et al. |
| 2011/0298062 | A1 | 12/2011 | Ganguli et al. | 2012/0146113 | A1 | 6/2012 | Suzuki et al. |
| 2011/0300720 | A1 | 12/2011 | Fu | 2012/0149207 | A1 | 6/2012 | Graff |
| 2011/0305102 | A1 | 12/2011 | Berger et al. | 2012/0149213 | A1 | 6/2012 | Nittala |
| 2011/0308453 | A1 | 12/2011 | Su et al. | 2012/0156108 | A1 | 6/2012 | Fondurulia et al. |
| 2011/0308460 | A1 | 12/2011 | Hong et al. | 2012/0156890 | A1 | 6/2012 | Yim et al. |
| 2011/0312191 | A1 | 12/2011 | Ohkura et al. | 2012/0160172 | A1 | 6/2012 | Wamura et al. |
| 2011/0318888 | A1 | 12/2011 | Komatsu et al. | 2012/0160809 | A1 | 6/2012 | Ishibashi et al. |
| 2011/0318935 | A1 | 12/2011 | Oyabu et al. | 2012/0161126 | A1 | 6/2012 | Yamazaki |
| 2012/0001172 | A1 | 1/2012 | Shang et al. | 2012/0161405 | A1 | 6/2012 | Mohn |
| 2012/0003500 | A1 | 1/2012 | Yoshida et al. | 2012/0164327 | A1 | 6/2012 | Sato |
| 2012/0003726 | A1 | 1/2012 | Jones et al. | 2012/0164837 | A1 | 6/2012 | Tan et al. |
| 2012/0003831 | A1 | 1/2012 | Kang et al. | 2012/0164842 | A1 | 6/2012 | Watanabe |
| 2012/0006489 | A1 | 1/2012 | Okita | 2012/0164846 | A1 | 6/2012 | Ha et al. |
| 2012/0009802 | A1 | 1/2012 | Lavoie | 2012/0170170 | A1 | 7/2012 | Gros-Jean |
| 2012/0012556 | A1 | 1/2012 | Matsumoto et al. | 2012/0171391 | A1 | 7/2012 | Won |
| 2012/0021252 | A1 | 1/2012 | Lee | 2012/0171874 | A1 | 7/2012 | Thridandam et al. |
| 2012/0024223 | A1 | 2/2012 | Torres et al. | 2012/0175518 | A1 | 7/2012 | Godet et al. |
| 2012/0024227 | A1 | 2/2012 | Takasuka et al. | 2012/0175751 | A1 | 7/2012 | Gatineau et al. |
| 2012/0024231 | A1 | 2/2012 | Horino | 2012/0180719 | A1 | 7/2012 | Inoue |
| 2012/0024478 | A1 | 2/2012 | Huang et al. | 2012/0180954 | A1 | 7/2012 | Yang et al. |
| | | | | 2012/0183689 | A1 | 7/2012 | Suzuki et al. |
| | | | | 2012/0186521 | A1 | 7/2012 | Iwasaki et al. |
| | | | | 2012/0186573 | A1 | 7/2012 | Jdira et al. |
| | | | | 2012/0187083 | A1 | 7/2012 | Hashizume |

(56)

References Cited

U.S. PATENT DOCUMENTS

| | | | | | | | |
|--------------|----|---------|---------------------------|--------------|----|--------|--------------------------|
| 2012/0187305 | A1 | 7/2012 | Elam et al. | 2013/0023129 | A1 | 1/2013 | Reed |
| 2012/0190178 | A1 | 7/2012 | Wang et al. | 2013/0025538 | A1 | 1/2013 | Collins et al. |
| 2012/0190185 | A1 | 7/2012 | Rogers | 2013/0025786 | A1 | 1/2013 | Davidkovich et al. |
| 2012/0190208 | A1 | 7/2012 | Ozu et al. | 2013/0026451 | A1 | 1/2013 | Bangsaruntip et al. |
| 2012/0196048 | A1 | 8/2012 | Ueda | 2013/0032085 | A1 | 2/2013 | Hanawa et al. |
| 2012/0196450 | A1 | 8/2012 | Balseanu et al. | 2013/0037858 | A1 | 2/2013 | Hong et al. |
| 2012/0202358 | A1 | 8/2012 | Gealy et al. | 2013/0037886 | A1 | 2/2013 | Tsai et al. |
| 2012/0206033 | A1 | 8/2012 | Matsuyama | 2013/0040447 | A1 | 2/2013 | Swaminathan et al. |
| 2012/0207456 | A1 | 8/2012 | Kim et al. | 2013/0040481 | A1 | 2/2013 | Vallely et al. |
| 2012/0212121 | A1 | 8/2012 | Lin | 2013/0042811 | A1 | 2/2013 | Shanker et al. |
| 2012/0213947 | A1 | 8/2012 | Lee | 2013/0048606 | A1 | 2/2013 | Mao et al. |
| 2012/0214318 | A1 | 8/2012 | Fukazawa et al. | 2013/0052585 | A1 | 2/2013 | Ayothi et al. |
| 2012/0216743 | A1 | 8/2012 | Itoh et al. | 2013/0052836 | A1 | 2/2013 | Hirose et al. |
| 2012/0219824 | A1 | 8/2012 | Prolier | 2013/0059078 | A1 | 3/2013 | Gatineau et al. |
| 2012/0220139 | A1 | 8/2012 | Lee et al. | 2013/0061755 | A1 | 3/2013 | Frederick |
| 2012/0222815 | A1 | 9/2012 | Sabri et al. | 2013/0062753 | A1 | 3/2013 | Nguyen et al. |
| 2012/0225561 | A1 | 9/2012 | Watanabe | 2013/0064973 | A1 | 3/2013 | Chen et al. |
| 2012/0231771 | A1 | 9/2012 | Marcus | 2013/0065189 | A1 | 3/2013 | Yoshii et al. |
| 2012/0232340 | A1 | 9/2012 | Levy et al. | 2013/0068727 | A1 | 3/2013 | Okita |
| 2012/0238074 | A1 | 9/2012 | Santhanam et al. | 2013/0068970 | A1 | 3/2013 | Matsushita |
| 2012/0240858 | A1 | 9/2012 | Taniyama et al. | 2013/0069052 | A1 | 3/2013 | Sandhu |
| 2012/0241089 | A1 | 9/2012 | Dielmann et al. | 2013/0070456 | A1 | 3/2013 | Jang et al. |
| 2012/0241411 | A1 | 9/2012 | Darling et al. | 2013/0075746 | A1 | 3/2013 | Mallikarjunaswamy et al. |
| 2012/0244703 | A1 | 9/2012 | Nakayama et al. | 2013/0078376 | A1 | 3/2013 | Higashino et al. |
| 2012/0247386 | A1 | 10/2012 | Sanchez et al. | 2013/0078392 | A1 | 3/2013 | Xiao et al. |
| 2012/0252229 | A1 | 10/2012 | Timans et al. | 2013/0081702 | A1 | 4/2013 | Mohammed et al. |
| 2012/0258257 | A1 | 10/2012 | Nguyen et al. | 2013/0082274 | A1 | 4/2013 | Yang |
| 2012/0263876 | A1 | 10/2012 | Haukka et al. | 2013/0084156 | A1 | 4/2013 | Shimamoto |
| 2012/0263887 | A1 | 10/2012 | Papasouliotis et al. | 2013/0084408 | A1 | 4/2013 | Nakao et al. |
| 2012/0264051 | A1 | 10/2012 | Angelov et al. | 2013/0084711 | A1 | 4/2013 | Liang et al. |
| 2012/0264305 | A1 | 10/2012 | Nakano | 2013/0084714 | A1 | 4/2013 | Oka et al. |
| 2012/0267048 | A1 | 10/2012 | Moyama et al. | 2013/0089667 | A1 | 4/2013 | Lai et al. |
| 2012/0269967 | A1 | 10/2012 | Yudovsky et al. | 2013/0089716 | A1 | 4/2013 | Krishnamurthy et al. |
| 2012/0270339 | A1 | 10/2012 | Xie et al. | 2013/0092085 | A1 | 4/2013 | Lee |
| 2012/0270393 | A1 | 10/2012 | Pore et al. | 2013/0093048 | A1 | 4/2013 | Chang et al. |
| 2012/0273052 | A1 | 11/2012 | Ye et al. | 2013/0093321 | A1 | 4/2013 | Yoshikawa et al. |
| 2012/0273162 | A1 | 11/2012 | Mahadeswaraswamy | 2013/0095664 | A1 | 4/2013 | Matero et al. |
| 2012/0288625 | A1 | 11/2012 | Furuya et al. | 2013/0095973 | A1 | 4/2013 | Kroneberger et al. |
| 2012/0289053 | A1 | 11/2012 | Holland et al. | 2013/0099318 | A1 | 4/2013 | Adam et al. |
| 2012/0289056 | A1 | 11/2012 | Bergman et al. | 2013/0104988 | A1 | 5/2013 | Yednak et al. |
| 2012/0289057 | A1 | 11/2012 | DeDontney | 2013/0104992 | A1 | 5/2013 | Yednak et al. |
| 2012/0295427 | A1 | 11/2012 | Bauer | 2013/0107415 | A1 | 5/2013 | Hanna et al. |
| 2012/0295449 | A1 | 11/2012 | Fukazawa | 2013/0112251 | A1 | 5/2013 | Hang et al. |
| 2012/0302055 | A1 | 11/2012 | Pore et al. | 2013/0113085 | A1 | 5/2013 | Michaelson et al. |
| 2012/0303313 | A1 | 11/2012 | Moroi et al. | 2013/0115383 | A1 | 5/2013 | Lu et al. |
| 2012/0304935 | A1 | 12/2012 | Oosterlaken et al. | 2013/0115763 | A1 | 5/2013 | Takamure et al. |
| 2012/0305026 | A1 | 12/2012 | Nomura et al. | 2013/0115768 | A1 | 5/2013 | Pore et al. |
| 2012/0305196 | A1 | 12/2012 | Mori et al. | 2013/0118405 | A1 | 5/2013 | Ho et al. |
| 2012/0305987 | A1 | 12/2012 | Hirler et al. | 2013/0118895 | A1 | 5/2013 | Roozeboom et al. |
| 2012/0307588 | A1 | 12/2012 | Hanada et al. | 2013/0119018 | A1 | 5/2013 | Kanarik et al. |
| 2012/0309181 | A1 | 12/2012 | Machkaoutsan et al. | 2013/0122712 | A1 | 5/2013 | Kim et al. |
| 2012/0310440 | A1 | 12/2012 | Darabnia et al. | 2013/0122722 | A1 | 5/2013 | Cissell et al. |
| 2012/0315113 | A1 | 12/2012 | Hiroki | 2013/0126515 | A1 | 5/2013 | Shero et al. |
| 2012/0315404 | A1 | 12/2012 | Li et al. | 2013/0129577 | A1 | 5/2013 | Halpin et al. |
| 2012/0318334 | A1 | 12/2012 | Bedell et al. | 2013/0130490 | A1 | 5/2013 | Lee et al. |
| 2012/0318457 | A1 | 12/2012 | Nguyen et al. | 2013/0134148 | A1 | 5/2013 | Tachikawa |
| 2012/0318773 | A1 | 12/2012 | Wu et al. | 2013/0137279 | A1 | 5/2013 | Yamamoto et al. |
| 2012/0321786 | A1 | 12/2012 | Satitpunwaycha et al. | 2013/0143401 | A1 | 6/2013 | Yu et al. |
| 2012/0322252 | A1 | 12/2012 | Son et al. | 2013/0145587 | A1 | 6/2013 | Adhiprakasha |
| 2012/0325148 | A1 | 12/2012 | Yamagishi et al. | 2013/0145984 | A1 | 6/2013 | Zhang et al. |
| 2012/0328780 | A1 | 12/2012 | Yamagishi et al. | 2013/0152933 | A1 | 6/2013 | Lischer et al. |
| 2013/0002121 | A1 | 1/2013 | Ma | 2013/0157409 | A1 | 6/2013 | Vaidya |
| 2013/0005122 | A1 | 1/2013 | Schwarzenbach et al. | 2013/0157521 | A1 | 6/2013 | Aldrich et al. |
| 2013/0005147 | A1 | 1/2013 | Angyal et al. | 2013/0160709 | A1 | 6/2013 | White et al. |
| 2013/0008607 | A1 | 1/2013 | Matsumoto et al. | 2013/0161629 | A1 | 6/2013 | Han et al. |
| 2013/0011983 | A1 | 1/2013 | Tsai | 2013/0164458 | A1 | 6/2013 | Soininen et al. |
| 2013/0011984 | A1 | 1/2013 | Wang et al. | 2013/0168353 | A1 | 7/2013 | Okita et al. |
| 2013/0014697 | A1 | 1/2013 | Kanayama | 2013/0168354 | A1 | 7/2013 | Kanarik |
| 2013/0014896 | A1 | 1/2013 | Shoji et al. | 2013/0171818 | A1 | 7/2013 | Kim et al. |
| 2013/0017503 | A1 | 1/2013 | de Ridder et al. | 2013/0175596 | A1 | 7/2013 | Cheng et al. |
| 2013/0019944 | A1 | 1/2013 | Hekmatshoar-Tabari et al. | 2013/0177706 | A1 | 7/2013 | Baluja et al. |
| 2013/0019945 | A1 | 1/2013 | Hekmatshoar-Tabari et al. | 2013/0180448 | A1 | 7/2013 | Sakaue et al. |
| 2013/0019960 | A1 | 1/2013 | Choi et al. | 2013/0183814 | A1 | 7/2013 | Huang et al. |
| 2013/0020246 | A1 | 1/2013 | Hoots et al. | 2013/0186340 | A1 | 7/2013 | Omori et al. |
| 2013/0023120 | A1 | 1/2013 | Yaehashi et al. | 2013/0189635 | A1 | 7/2013 | Lim et al. |
| | | | | 2013/0189854 | A1 | 7/2013 | Hausmann et al. |
| | | | | 2013/0196502 | A1 | 8/2013 | Haukka et al. |
| | | | | 2013/0196507 | A1 | 8/2013 | Ma et al. |
| | | | | 2013/0200518 | A1 | 8/2013 | Ahmed et al. |

(56)

References Cited

U.S. PATENT DOCUMENTS

| | | | | | | | |
|--------------|----|---------|------------------|--------------|----|--------|------------------|
| 2013/0202387 | A1 | 8/2013 | Hiroki | 2014/0023794 | A1 | 1/2014 | Mahajani et al. |
| 2013/0203266 | A1 | 8/2013 | Hintze | 2014/0027884 | A1 | 1/2014 | Tang et al. |
| 2013/0203267 | A1 | 8/2013 | Pomarede et al. | 2014/0030447 | A1 | 1/2014 | Lee |
| 2013/0209940 | A1 | 8/2013 | Sakamoto et al. | 2014/0033978 | A1 | 2/2014 | Adachi et al. |
| 2013/0210241 | A1 | 8/2013 | Lavoie et al. | 2014/0034240 | A1 | 2/2014 | Kim et al. |
| 2013/0214232 | A1 | 8/2013 | Tendulkar et al. | 2014/0034632 | A1 | 2/2014 | Pan et al. |
| 2013/0217239 | A1 | 8/2013 | Mallick et al. | 2014/0036274 | A1 | 2/2014 | Marquardt et al. |
| 2013/0217240 | A1 | 8/2013 | Mallick et al. | 2014/0045324 | A1 | 2/2014 | Brabant et al. |
| 2013/0217241 | A1 | 8/2013 | Underwood et al. | 2014/0045342 | A1 | 2/2014 | Mallick et al. |
| 2013/0217243 | A1 | 8/2013 | Underwood et al. | 2014/0047705 | A1 | 2/2014 | Singh |
| 2013/0219853 | A1 | 8/2013 | Little et al. | 2014/0048765 | A1 | 2/2014 | Ma et al. |
| 2013/0224964 | A1 | 8/2013 | Fukazawa | 2014/0053866 | A1 | 2/2014 | Baluja et al. |
| 2013/0228225 | A1 | 9/2013 | Leeser | 2014/0056679 | A1 | 2/2014 | Yamabe et al. |
| 2013/0228902 | A1 | 9/2013 | Tomizawa et al. | 2014/0056770 | A1 | 2/2014 | Bedard et al. |
| 2013/0230814 | A1 | 9/2013 | Dunn et al. | 2014/0057454 | A1 | 2/2014 | Subramonium |
| 2013/0234203 | A1 | 9/2013 | Tsai et al. | 2014/0058179 | A1 | 2/2014 | Stevens et al. |
| 2013/0242287 | A1 | 9/2013 | Schlezinger | 2014/0060147 | A1 | 3/2014 | Sarin et al. |
| 2013/0256265 | A1 | 10/2013 | Darling et al. | 2014/0060572 | A1 | 3/2014 | Yasumuro et al. |
| 2013/0256838 | A1 | 10/2013 | Sanchez et al. | 2014/0061770 | A1 | 3/2014 | Lee |
| 2013/0256962 | A1 | 10/2013 | Ranish | 2014/0062304 | A1 | 3/2014 | Nakano et al. |
| 2013/0260371 | A1 | 10/2013 | Holt | 2014/0065841 | A1 | 3/2014 | Matero |
| 2013/0264659 | A1 | 10/2013 | Jung | 2014/0067110 | A1 | 3/2014 | Lawson et al. |
| 2013/0267045 | A1 | 10/2013 | Lee et al. | 2014/0072710 | A1 | 3/2014 | Valle |
| 2013/0269609 | A1 | 10/2013 | Leeser | 2014/0072726 | A1 | 3/2014 | Kim |
| 2013/0269612 | A1 | 10/2013 | Cheng et al. | 2014/0072925 | A1 | 3/2014 | Kaneko |
| 2013/0270676 | A1 | 10/2013 | Lindert et al. | 2014/0073143 | A1 | 3/2014 | Alokozai et al. |
| 2013/0276978 | A1 | 10/2013 | Bluck et al. | 2014/0076861 | A1 | 3/2014 | Cornelius et al. |
| 2013/0280891 | A1 | 10/2013 | Kim et al. | 2014/0077240 | A1 | 3/2014 | Roucka et al. |
| 2013/0285155 | A1 | 10/2013 | Glass | 2014/0084341 | A1 | 3/2014 | Weeks |
| 2013/0287526 | A1 | 10/2013 | Bluck et al. | 2014/0087490 | A1 | 3/2014 | Kahlon |
| 2013/0288427 | A1 | 10/2013 | Hung et al. | 2014/0087544 | A1 | 3/2014 | Tolle |
| 2013/0288471 | A1 | 10/2013 | Chi | 2014/0087564 | A1 | 3/2014 | Shimizu et al. |
| 2013/0288480 | A1 | 10/2013 | Sanchez et al. | 2014/0094027 | A1 | 4/2014 | Azumo et al. |
| 2013/0288485 | A1 | 10/2013 | Liang et al. | 2014/0096716 | A1 | 4/2014 | Chung et al. |
| 2013/0292047 | A1 | 11/2013 | Tian et al. | 2014/0097468 | A1 | 4/2014 | Okita |
| 2013/0292676 | A1 | 11/2013 | Milligan et al. | 2014/0099794 | A1 | 4/2014 | Ingle et al. |
| 2013/0292807 | A1 | 11/2013 | Raisanen et al. | 2014/0099798 | A1 | 4/2014 | Tsuji |
| 2013/0295779 | A1 | 11/2013 | Chandra et al. | 2014/0103145 | A1 | 4/2014 | White et al. |
| 2013/0299944 | A1 | 11/2013 | Lai et al. | 2014/0106574 | A1 | 4/2014 | Kang et al. |
| 2013/0302520 | A1 | 11/2013 | Wang et al. | 2014/0110798 | A1 | 4/2014 | Cai |
| 2013/0302999 | A1 | 11/2013 | Won et al. | 2014/0113457 | A1 | 4/2014 | Sims |
| 2013/0303803 | A1 | 11/2013 | Doerr et al. | 2014/0116335 | A1 | 5/2014 | Tsuji et al. |
| 2013/0309876 | A1 | 11/2013 | Ogawa | 2014/0117380 | A1 | 5/2014 | Loboda et al. |
| 2013/0312663 | A1 | 11/2013 | Khosla et al. | 2014/0120487 | A1 | 5/2014 | Kaneko |
| 2013/0313656 | A1 | 11/2013 | Tong | 2014/0120678 | A1 | 5/2014 | Shinriki et al. |
| 2013/0319290 | A1 | 12/2013 | Xiao et al. | 2014/0120723 | A1 | 5/2014 | Fu et al. |
| 2013/0320429 | A1 | 12/2013 | Thomas | 2014/0120738 | A1 | 5/2014 | Jung |
| 2013/0323435 | A1 | 12/2013 | Xiao et al. | 2014/0120750 | A1 | 5/2014 | Johnson |
| 2013/0323859 | A1 | 12/2013 | Chen et al. | 2014/0127907 | A1 | 5/2014 | Yang |
| 2013/0323935 | A1 | 12/2013 | Suzuki et al. | 2014/0130687 | A1 | 5/2014 | Shibusawa et al. |
| 2013/0330165 | A1 | 12/2013 | Wimplinger | 2014/0138779 | A1 | 5/2014 | Xie et al. |
| 2013/0330911 | A1 | 12/2013 | Huang et al. | 2014/0141165 | A1 | 5/2014 | Sato et al. |
| 2013/0330933 | A1 | 12/2013 | Fukazawa et al. | 2014/0141625 | A1 | 5/2014 | Fukazawa et al. |
| 2013/0333619 | A1 | 12/2013 | Omari | 2014/0141674 | A1 | 5/2014 | Galbreath et al. |
| 2013/0337172 | A1 | 12/2013 | Lee | 2014/0144500 | A1 | 5/2014 | Cao et al. |
| 2013/0337583 | A1 | 12/2013 | Kobayashi et al. | 2014/0145332 | A1 | 5/2014 | Ryan et al. |
| 2013/0337639 | A1 | 12/2013 | Ivanstov et al. | 2014/0147587 | A1 | 5/2014 | Endo et al. |
| 2013/0337653 | A1 | 12/2013 | Kovalgin et al. | 2014/0158786 | A1 | 6/2014 | Santo |
| 2013/0340619 | A1 | 12/2013 | Tammera | 2014/0159170 | A1 | 6/2014 | Raisanen et al. |
| 2013/0340678 | A1 | 12/2013 | Wamura et al. | 2014/0162401 | A1 | 6/2014 | Kawano et al. |
| 2013/0344248 | A1 | 12/2013 | Clark | 2014/0167187 | A1 | 6/2014 | Kuo et al. |
| 2014/0000843 | A1 | 1/2014 | Dunn et al. | 2014/0170335 | A1 | 6/2014 | Shao et al. |
| 2014/0001520 | A1 | 1/2014 | Glass | 2014/0174354 | A1 | 6/2014 | Arai |
| 2014/0004274 | A1 | 1/2014 | Thompson | 2014/0174357 | A1 | 6/2014 | Kim et al. |
| 2014/0007808 | A1 | 1/2014 | Okabe et al. | 2014/0174927 | A1 | 6/2014 | Bashir et al. |
| 2014/0014642 | A1 | 1/2014 | Elliot et al. | 2014/0175054 | A1 | 6/2014 | Carlson et al. |
| 2014/0014644 | A1 | 1/2014 | Akiba et al. | 2014/0179091 | A1 | 6/2014 | Clark |
| 2014/0015108 | A1 | 1/2014 | Kim et al. | 2014/0182053 | A1 | 7/2014 | Huang |
| 2014/0015186 | A1 | 1/2014 | Wessel et al. | 2014/0182689 | A1 | 7/2014 | Shareef et al. |
| 2014/0017408 | A1 | 1/2014 | Gandikota et al. | 2014/0187045 | A1 | 7/2014 | Hua et al. |
| 2014/0017414 | A1 | 1/2014 | Fukazawa et al. | 2014/0191389 | A1 | 7/2014 | Lee et al. |
| 2014/0017908 | A1 | 1/2014 | Beynet et al. | 2014/0193983 | A1 | 7/2014 | Lavoie |
| 2014/0020619 | A1 | 1/2014 | Vincent et al. | 2014/0202382 | A1 | 7/2014 | Kim et al. |
| 2014/0020764 | A1 | 1/2014 | Woelk et al. | 2014/0202386 | A1 | 7/2014 | Taga |
| 2014/0020839 | A1 | 1/2014 | Kenney et al. | 2014/0202388 | A1 | 7/2014 | Um et al. |
| | | | | 2014/0209976 | A1 | 7/2014 | Yang et al. |
| | | | | 2014/0213061 | A1 | 7/2014 | Huang et al. |
| | | | | 2014/0217065 | A1 | 8/2014 | Winkler et al. |
| | | | | 2014/0220247 | A1 | 8/2014 | Haukka et al. |

(56)

References Cited

U.S. PATENT DOCUMENTS

| | | | | | | | |
|--------------|----|---------|------------------------|--------------|----|--------|--------------------|
| 2014/0225065 | A1 | 8/2014 | Rachmady et al. | 2015/0041431 | A1 | 2/2015 | Zafiropoulo et al. |
| 2014/0227072 | A1 | 8/2014 | Lee et al. | 2015/0048485 | A1 | 2/2015 | Tolle |
| 2014/0227444 | A1 | 8/2014 | Winter et al. | 2015/0056815 | A1 | 2/2015 | Fernandez |
| 2014/0227861 | A1 | 8/2014 | Wu et al. | 2015/0056821 | A1 | 2/2015 | Ishikawa |
| 2014/0227881 | A1 | 8/2014 | Lubomirsky et al. | 2015/0064923 | A1 | 3/2015 | Matsumoto et al. |
| 2014/0231922 | A1 | 8/2014 | Kim et al. | 2015/0072509 | A1 | 3/2015 | Chi et al. |
| 2014/0234466 | A1 | 8/2014 | Gao et al. | 2015/0078874 | A1 | 3/2015 | Sansoni |
| 2014/0234550 | A1 | 8/2014 | Winter et al. | 2015/0079311 | A1 | 3/2015 | Nakano |
| 2014/0234992 | A1 | 8/2014 | Kubota et al. | 2015/0086316 | A1 | 3/2015 | Greenberg |
| 2014/0238607 | A1 | 8/2014 | Nozawa et al. | 2015/0086716 | A1 | 3/2015 | Park et al. |
| 2014/0238608 | A1 | 8/2014 | Sabri et al. | 2015/0087154 | A1 | 3/2015 | Guha et al. |
| 2014/0242298 | A1 | 8/2014 | Lansalot-Matras et al. | 2015/0091057 | A1 | 4/2015 | Xie et al. |
| 2014/0242806 | A1 | 8/2014 | Knapp et al. | 2015/0091134 | A1 | 4/2015 | Amaratunga et al. |
| 2014/0245948 | A1 | 9/2014 | Nguyen et al. | 2015/0094470 | A1 | 4/2015 | Sanchez et al. |
| 2014/0251788 | A1 | 9/2014 | Ge et al. | 2015/0096973 | A1 | 4/2015 | Dunn et al. |
| 2014/0251953 | A1 | 9/2014 | Winkler et al. | 2015/0099065 | A1 | 4/2015 | Canizares et al. |
| 2014/0251954 | A1 | 9/2014 | Winkler et al. | 2015/0099072 | A1 | 4/2015 | Takamure et al. |
| 2014/0252134 | A1 | 9/2014 | Chen | 2015/0099342 | A1 | 4/2015 | Tsai |
| 2014/0252479 | A1 | 9/2014 | Utomo et al. | 2015/0099374 | A1 | 4/2015 | Kakimoto et al. |
| 2014/0260684 | A1 | 9/2014 | Christmann | 2015/0102466 | A1 | 4/2015 | Colinge |
| 2014/0262028 | A1 | 9/2014 | Kelekar | 2015/0104574 | A1 | 4/2015 | Lee et al. |
| 2014/0262034 | A1 | 9/2014 | Ishibashi et al. | 2015/0110147 | A1 | 4/2015 | Mizuno |
| 2014/0262193 | A1 | 9/2014 | Im et al. | 2015/0111374 | A1 | 4/2015 | Bao |
| 2014/0263172 | A1 | 9/2014 | Xie et al. | 2015/0111395 | A1 | 4/2015 | Hashimoto et al. |
| 2014/0263272 | A1 | 9/2014 | Duan et al. | 2015/0114295 | A1 | 4/2015 | Kim et al. |
| 2014/0264297 | A1 | 9/2014 | Kumar et al. | 2015/0118009 | A1 | 4/2015 | Hsieh et al. |
| 2014/0264444 | A1 | 9/2014 | Guo et al. | 2015/0118846 | A1 | 4/2015 | Isii et al. |
| 2014/0264902 | A1 | 9/2014 | Ting et al. | 2015/0118863 | A1 | 4/2015 | Rathod et al. |
| 2014/0265090 | A1 | 9/2014 | Hou | 2015/0122180 | A1 | 5/2015 | Chang et al. |
| 2014/0265832 | A1 | 9/2014 | Kenney et al. | 2015/0125628 | A1 | 5/2015 | Kim et al. |
| 2014/0272194 | A1 | 9/2014 | Xiao et al. | 2015/0132212 | A1 | 5/2015 | Winkler et al. |
| 2014/0272341 | A1 | 9/2014 | Duan et al. | 2015/0140210 | A1 | 5/2015 | Jung et al. |
| 2014/0273428 | A1 | 9/2014 | Shero | 2015/0144060 | A1 | 5/2015 | Park |
| 2014/0273477 | A1 | 9/2014 | Niskanen | 2015/0147482 | A1 | 5/2015 | Kang et al. |
| 2014/0273497 | A1 | 9/2014 | Payne et al. | 2015/0147483 | A1 | 5/2015 | Fukazawa |
| 2014/0273510 | A1 | 9/2014 | Chen et al. | 2015/0147488 | A1 | 5/2015 | Choi et al. |
| 2014/0273528 | A1 | 9/2014 | Niskanen | 2015/0147875 | A1 | 5/2015 | Takamure et al. |
| 2014/0273530 | A1 | 9/2014 | Nguyen | 2015/0147877 | A1 | 5/2015 | Jung |
| 2014/0273531 | A1 | 9/2014 | Niskanen | 2015/0152547 | A1 | 6/2015 | Nakamura et al. |
| 2014/0283747 | A1 | 9/2014 | Kasai et al. | 2015/0152553 | A1 | 6/2015 | Popp et al. |
| 2014/0287595 | A1 | 9/2014 | Shimamoto et al. | 2015/0155177 | A1 | 6/2015 | Zhang et al. |
| 2014/0290573 | A1 | 10/2014 | Okabe et al. | 2015/0162168 | A1 | 6/2015 | Oehrlie |
| 2014/0290578 | A1 | 10/2014 | Wamura et al. | 2015/0162185 | A1 | 6/2015 | Pore |
| 2014/0306250 | A1 | 10/2014 | Gardner et al. | 2015/0162214 | A1 | 6/2015 | Thompson |
| 2014/0308108 | A1 | 10/2014 | Fosnight et al. | 2015/0167159 | A1 | 6/2015 | Halpin et al. |
| 2014/0312767 | A1 | 10/2014 | Tian et al. | 2015/0167161 | A1 | 6/2015 | Canizares et al. |
| 2014/0322862 | A1 | 10/2014 | Xie et al. | 2015/0167162 | A1 | 6/2015 | Barik et al. |
| 2014/0322885 | A1 | 10/2014 | Xie et al. | 2015/0167165 | A1 | 6/2015 | Lindfors |
| 2014/0339981 | A1 | 11/2014 | Komatsu et al. | 2015/0167705 | A1 | 6/2015 | Lee et al. |
| 2014/0346142 | A1 | 11/2014 | Chapuis et al. | 2015/0170914 | A1 | 6/2015 | Haukka et al. |
| 2014/0346650 | A1 | 11/2014 | Raisanen et al. | 2015/0170945 | A1 | 6/2015 | Segawa et al. |
| 2014/0349033 | A1 | 11/2014 | Nonaka et al. | 2015/0170947 | A1 | 6/2015 | Bluck |
| 2014/0349068 | A1 | 11/2014 | Inglis et al. | 2015/0170954 | A1 | 6/2015 | Agarwal |
| 2014/0357090 | A1 | 12/2014 | Knaepen et al. | 2015/0170975 | A1 | 6/2015 | Blatchford et al. |
| 2014/0363980 | A1 | 12/2014 | Kawamata et al. | 2015/0171177 | A1 | 6/2015 | Cheng et al. |
| 2014/0363983 | A1 | 12/2014 | Nakano et al. | 2015/0174768 | A1 | 6/2015 | Rodnick |
| 2014/0363985 | A1 | 12/2014 | Jang et al. | 2015/0175467 | A1 | 6/2015 | Denifl et al. |
| 2014/0366804 | A1 | 12/2014 | Pak et al. | 2015/0176126 | A1 | 6/2015 | Ge et al. |
| 2014/0367043 | A1 | 12/2014 | Bishara et al. | 2015/0179415 | A1 | 6/2015 | Sasaki et al. |
| 2014/0367642 | A1 | 12/2014 | Guo | 2015/0179501 | A1 | 6/2015 | Jhaveri et al. |
| 2014/0377960 | A1 | 12/2014 | Koiwa | 2015/0179564 | A1 | 6/2015 | Lee et al. |
| 2015/0004316 | A1 | 1/2015 | Thompson et al. | 2015/0179640 | A1 | 6/2015 | Kim et al. |
| 2015/0004317 | A1 | 1/2015 | Dussarrat et al. | 2015/0184287 | A1 | 7/2015 | Tsung et al. |
| 2015/0004318 | A1 | 1/2015 | Alasaarela et al. | 2015/0184291 | A1 | 7/2015 | Alokozai et al. |
| 2015/0004798 | A1 | 1/2015 | Chandrasekharan et al. | 2015/0187559 | A1 | 7/2015 | Sano |
| 2015/0007770 | A1 | 1/2015 | Chandrasekharan et al. | 2015/0187568 | A1 | 7/2015 | Pettinger et al. |
| 2015/0010381 | A1 | 1/2015 | Cai | 2015/0187611 | A1 | 7/2015 | Sato |
| 2015/0011095 | A1 | 1/2015 | Chandrasekharan et al. | 2015/0187908 | A1 | 7/2015 | Zhang et al. |
| 2015/0014632 | A1 | 1/2015 | Kim et al. | 2015/0203961 | A1 | 7/2015 | Ha et al. |
| 2015/0014823 | A1 | 1/2015 | Mallikarjunan et al. | 2015/0203967 | A1 | 7/2015 | Dhas et al. |
| 2015/0017794 | A1 | 1/2015 | Takamure | 2015/0211125 | A1 | 7/2015 | Yoshikawa et al. |
| 2015/0021599 | A1 | 1/2015 | Ridgeway | 2015/0217330 | A1 | 8/2015 | Haukka |
| 2015/0024609 | A1 | 1/2015 | Milligan et al. | 2015/0217456 | A1 | 8/2015 | Tsuji et al. |
| 2015/0030766 | A1 | 1/2015 | Lind et al. | 2015/0218695 | A1 | 8/2015 | Odedra |
| 2015/0031218 | A1 | 1/2015 | Karakawa | 2015/0218698 | A1 | 8/2015 | Yoon et al. |
| | | | | 2015/0218700 | A1 | 8/2015 | Nguyen et al. |
| | | | | 2015/0221479 | A1 | 8/2015 | Chen et al. |
| | | | | 2015/0221480 | A1 | 8/2015 | Duan et al. |
| | | | | 2015/0221519 | A1 | 8/2015 | Marks et al. |

(56)

References Cited

U.S. PATENT DOCUMENTS

| | | | | | | | |
|--------------|----|---------|---------------------|--------------|----|--------|--------------------|
| 2015/0225850 | A1 | 8/2015 | Arora et al. | 2016/0005595 | A1 | 1/2016 | Liu et al. |
| 2015/0228572 | A1 | 8/2015 | Yang et al. | 2016/0005839 | A1 | 1/2016 | Yieh et al. |
| 2015/0228645 | A1 | 8/2015 | Chuang et al. | 2016/0013022 | A1 | 1/2016 | Ayoub |
| 2015/0228749 | A1 | 8/2015 | Ando et al. | 2016/0013024 | A1 | 1/2016 | Milligan et al. |
| 2015/0240357 | A1 | 8/2015 | Tachibana et al. | 2016/0013086 | A1 | 1/2016 | Yang et al. |
| 2015/0240359 | A1 | 8/2015 | Jdira et al. | 2016/0017493 | A1 | 1/2016 | Dhas |
| 2015/0240360 | A1 | 8/2015 | Leeser | 2016/0020071 | A1 | 1/2016 | Khaja et al. |
| 2015/0241787 | A1 | 8/2015 | Yaegashi | 2016/0020092 | A1 | 1/2016 | Kang et al. |
| 2015/0243522 | A1 | 8/2015 | Kitagaito et al. | 2016/0024655 | A1 | 1/2016 | Yudovsky et al. |
| 2015/0243542 | A1 | 8/2015 | Yoshihara et al. | 2016/0024656 | A1 | 1/2016 | White et al. |
| 2015/0243545 | A1 | 8/2015 | Tang | 2016/0035566 | A1 | 2/2016 | LaVoie |
| 2015/0243563 | A1 | 8/2015 | Lee et al. | 2016/0035596 | A1 | 2/2016 | Kamiya |
| 2015/0243658 | A1 | 8/2015 | Joshi et al. | 2016/0042954 | A1 | 2/2016 | Sung et al. |
| 2015/0249013 | A1 | 9/2015 | Arghavani et al. | 2016/0051964 | A1 | 2/2016 | Tolle et al. |
| 2015/0255319 | A1 | 9/2015 | Kikuchi et al. | 2016/0056074 | A1 | 2/2016 | Na |
| 2015/0255324 | A1 | 9/2015 | Li et al. | 2016/0056156 | A1 | 2/2016 | Ghani et al. |
| 2015/0255385 | A1 | 9/2015 | Lee et al. | 2016/0060752 | A1 | 3/2016 | Jacques et al. |
| 2015/0259790 | A1 | 9/2015 | Newman | 2016/0064208 | A1 | 3/2016 | Zafiropoulo et al. |
| 2015/0259801 | A1 | 9/2015 | Matsumoto et al. | 2016/0064231 | A1 | 3/2016 | Agarwal et al. |
| 2015/0262828 | A1 | 9/2015 | Brand et al. | 2016/0069613 | A1 | 3/2016 | Colgan et al. |
| 2015/0263033 | A1 | 9/2015 | Aoyama | 2016/0071750 | A1 | 3/2016 | de Ridder et al. |
| 2015/0267294 | A1 | 9/2015 | Itatani | 2016/0076949 | A1 | 3/2016 | Sabah et al. |
| 2015/0267295 | A1 | 9/2015 | Hill et al. | 2016/0079054 | A1 | 3/2016 | Chen et al. |
| 2015/0267297 | A1 | 9/2015 | Shiba | 2016/0085003 | A1 | 3/2016 | Jaiswal |
| 2015/0267298 | A1 | 9/2015 | Saitou et al. | 2016/0087028 | A1 | 3/2016 | Hirota et al. |
| 2015/0267299 | A1 | 9/2015 | Hawkins | 2016/0097123 | A1 | 4/2016 | Shugrue et al. |
| 2015/0267301 | A1 | 9/2015 | Hill et al. | 2016/0099150 | A1 | 4/2016 | Tsai |
| 2015/0270140 | A1 | 9/2015 | Gupta et al. | 2016/0099166 | A1 | 4/2016 | Yudovsky |
| 2015/0270146 | A1 | 9/2015 | Yoshihara et al. | 2016/0099250 | A1 | 4/2016 | Rabkin et al. |
| 2015/0275357 | A1 | 10/2015 | Kamakura et al. | 2016/0102214 | A1 | 4/2016 | Dietz et al. |
| 2015/0279665 | A1 | 10/2015 | Zafiropoulo | 2016/0111272 | A1 | 4/2016 | Girard |
| 2015/0279681 | A1 | 10/2015 | Knoops | 2016/0111438 | A1 | 4/2016 | Tsutsumi et al. |
| 2015/0279682 | A1 | 10/2015 | Nakatani et al. | 2016/0115590 | A1 | 4/2016 | Haukka et al. |
| 2015/0279708 | A1 | 10/2015 | Kobayashi et al. | 2016/0118224 | A1 | 4/2016 | Kohno et al. |
| 2015/0279956 | A1 | 10/2015 | Ozaki et al. | 2016/0133307 | A1 | 5/2016 | Lee et al. |
| 2015/0280051 | A1 | 10/2015 | Xu | 2016/0133628 | A1 | 5/2016 | Xie |
| 2015/0284848 | A1 | 10/2015 | Nakano et al. | 2016/0141172 | A1 | 5/2016 | Kang |
| 2015/0287591 | A1 | 10/2015 | Pore et al. | 2016/0145738 | A1 | 5/2016 | Liu et al. |
| 2015/0287612 | A1 | 10/2015 | Luere et al. | 2016/0148800 | A1 | 5/2016 | Henri et al. |
| 2015/0287626 | A1 | 10/2015 | Arai | 2016/0148801 | A1 | 5/2016 | Yabe et al. |
| 2015/0287710 | A1 | 10/2015 | Yun et al. | 2016/0148806 | A1 | 5/2016 | Henri et al. |
| 2015/0291830 | A1 | 10/2015 | Galbreath et al. | 2016/0148811 | A1 | 5/2016 | Nakatani et al. |
| 2015/0292088 | A1 | 10/2015 | Canizares | 2016/0148821 | A1 | 5/2016 | Singh |
| 2015/0299848 | A1 | 10/2015 | Haukka et al. | 2016/0155629 | A1 | 6/2016 | Hawryluk et al. |
| 2015/0307982 | A1 | 10/2015 | Firouzpor et al. | 2016/0163556 | A1 | 6/2016 | Briggs et al. |
| 2015/0308586 | A1 | 10/2015 | Shugrue et al. | 2016/0163558 | A1 | 6/2016 | Hudson et al. |
| 2015/0311151 | A1 | 10/2015 | Chi et al. | 2016/0163561 | A1 | 6/2016 | Hudson et al. |
| 2015/0303056 | A1 | 11/2015 | Varadarajan et al. | 2016/0163711 | A1 | 6/2016 | Arndt et al. |
| 2015/0315704 | A1 | 11/2015 | Nakano et al. | 2016/0163972 | A1 | 6/2016 | Swaminathan et al. |
| 2015/0322569 | A1 | 11/2015 | Kilpi et al. | 2016/0168699 | A1 | 6/2016 | Fukazawa et al. |
| 2015/0325432 | A1 | 11/2015 | Ishizaka | 2016/0172189 | A1 | 6/2016 | Tapily |
| 2015/0332921 | A1 | 11/2015 | Lee et al. | 2016/0172296 | A1 | 6/2016 | Lim et al. |
| 2015/0340247 | A1 | 11/2015 | Balakrishnan et al. | 2016/0175805 | A1 | 6/2016 | Catchpole et al. |
| 2015/0340500 | A1 | 11/2015 | Brunco | 2016/0177448 | A1 | 6/2016 | Ikeda |
| 2015/0340609 | A1 | 11/2015 | Banno et al. | 2016/0181117 | A1 | 6/2016 | Arghavani et al. |
| 2015/0343559 | A1 | 12/2015 | Morikazu et al. | 2016/0181128 | A1 | 6/2016 | Mori |
| 2015/0343741 | A1 | 12/2015 | Shibata et al. | 2016/0181368 | A1 | 6/2016 | Weeks |
| 2015/0345018 | A1 | 12/2015 | Detavernier et al. | 2016/0190137 | A1 | 6/2016 | Tsai et al. |
| 2015/0348755 | A1 | 12/2015 | Han et al. | 2016/0195331 | A1 | 7/2016 | Hyon et al. |
| 2015/0353478 | A1 | 12/2015 | Hoshino et al. | 2016/0196970 | A1 | 7/2016 | Takamure et al. |
| 2015/0354060 | A1 | 12/2015 | Yabe et al. | 2016/0203995 | A1 | 7/2016 | Kanarik et al. |
| 2015/0361550 | A1 | 12/2015 | Yabe et al. | 2016/0211135 | A1 | 7/2016 | Noda et al. |
| 2015/0361553 | A1 | 12/2015 | Murakawa | 2016/0211147 | A1 | 7/2016 | Fukazawa |
| 2015/0364347 | A1 | 12/2015 | Nguyen et al. | 2016/0217857 | A1 | 7/2016 | Paudel |
| 2015/0364371 | A1 | 12/2015 | Yen | 2016/0218028 | A1 | 7/2016 | Schaller et al. |
| 2015/0364747 | A1 | 12/2015 | Elam et al. | 2016/0222504 | A1 | 8/2016 | Haukka et al. |
| 2015/0367253 | A1 | 12/2015 | Kanyal et al. | 2016/0222509 | A1 | 8/2016 | Honma |
| 2015/0371864 | A1 | 12/2015 | Hsu et al. | 2016/0222516 | A1 | 8/2016 | Ikeda |
| 2015/0372056 | A1 | 12/2015 | Seong et al. | 2016/0225607 | A1 | 8/2016 | Yamamoto et al. |
| 2015/0376211 | A1 | 12/2015 | Girard | 2016/0225632 | A1 | 8/2016 | Shaikh et al. |
| 2015/0376785 | A1 | 12/2015 | Knaapen et al. | 2016/0245704 | A1 | 8/2016 | Osaka et al. |
| 2015/0380296 | A1 | 12/2015 | Antonelli et al. | 2016/0256187 | A1 | 9/2016 | Shelton et al. |
| 2016/0002776 | A1 | 1/2016 | Nal et al. | 2016/0268102 | A1 | 9/2016 | White |
| 2016/0002786 | A1 | 1/2016 | Gatineau et al. | 2016/0268107 | A1 | 9/2016 | White |
| 2016/0005571 | A1 | 1/2016 | Della Rosa et al. | 2016/0273101 | A1 | 9/2016 | Komori et al. |
| | | | | 2016/0273106 | A1 | 9/2016 | Kanjolia et al. |
| | | | | 2016/0276148 | A1 | 9/2016 | Qian et al. |
| | | | | 2016/0276212 | A1 | 9/2016 | Horikoshi |
| | | | | 2016/0281223 | A1 | 9/2016 | Sowa et al. |

(56)

References Cited

U.S. PATENT DOCUMENTS

| | | | | | | | |
|--------------|----|---------|---------------------|--------------|----|---------|----------------------|
| 2016/0281230 | A1 | 9/2016 | Varadarajan et al. | 2017/0110601 | A1 | 4/2017 | Blomberg et al. |
| 2016/0284542 | A1 | 9/2016 | Noda et al. | 2017/0114464 | A1 | 4/2017 | Iriuda et al. |
| 2016/0289828 | A1 | 10/2016 | Shero et al. | 2017/0114465 | A1 | 4/2017 | Kalutarage et al. |
| 2016/0293398 | A1 | 10/2016 | Danek et al. | 2017/0117141 | A1 | 4/2017 | Zhu et al. |
| 2016/0305015 | A1 | 10/2016 | Nakamura et al. | 2017/0117202 | A1 | 4/2017 | Tang et al. |
| 2016/0307739 | A1 | 10/2016 | Lee et al. | 2017/0117203 | A1 | 4/2017 | Tang et al. |
| 2016/0307766 | A1 | 10/2016 | Jongbloed et al. | 2017/0117222 | A1 | 4/2017 | Kim et al. |
| 2016/0312360 | A1 | 10/2016 | Rasheed et al. | 2017/0121845 | A1 | 5/2017 | Grutzmacher et al. |
| 2016/0314962 | A1 | 10/2016 | Higashino et al. | 2017/0130332 | A1 | 5/2017 | Stumpf |
| 2016/0314964 | A1 | 10/2016 | Tang et al. | 2017/0136578 | A1 | 5/2017 | Yoshimura |
| 2016/0314967 | A1 | 10/2016 | Tolle | 2017/0140925 | A1 | 5/2017 | Suzuki et al. |
| 2016/0315168 | A1 | 10/2016 | Dussarrat et al. | 2017/0145564 | A1 | 5/2017 | Bertuch et al. |
| 2016/0334709 | A1 | 11/2016 | Huli et al. | 2017/0146909 | A1 | 5/2017 | Smith et al. |
| 2016/0336178 | A1 | 11/2016 | Swaminathan et al. | 2017/0148918 | A1 | 5/2017 | Ye et al. |
| 2016/0336392 | A1 | 11/2016 | Tominaga et al. | 2017/0152968 | A1 | 6/2017 | Raj et al. |
| 2016/0345384 | A1 | 11/2016 | Zhang et al. | 2017/0154757 | A1 | 6/2017 | Winkler et al. |
| 2016/0351413 | A1 | 12/2016 | Schmidt et al. | 2017/0154770 | A1 | 6/2017 | Margetis et al. |
| 2016/0351747 | A1 | 12/2016 | Forrest et al. | 2017/0159177 | A1 | 6/2017 | Monsma et al. |
| 2016/0358772 | A1 | 12/2016 | Xie | 2017/0165624 | A1 | 6/2017 | Ravoin et al. |
| 2016/0362783 | A1 | 12/2016 | Tolle et al. | 2017/0170033 | A1 | 6/2017 | Okabe et al. |
| 2016/0362813 | A1 | 12/2016 | Bao et al. | 2017/0173696 | A1 | 6/2017 | Sheinman |
| 2016/0365280 | A1 | 12/2016 | Brink et al. | 2017/0175290 | A1 | 6/2017 | Chen et al. |
| 2016/0365414 | A1 | 12/2016 | Peng et al. | 2017/0178899 | A1 | 6/2017 | Kabansky et al. |
| 2016/0372321 | A1 | 12/2016 | Krishnan et al. | 2017/0179036 | A1 | 6/2017 | Chen et al. |
| 2016/0372365 | A1 | 12/2016 | Tang et al. | 2017/0186621 | A1 | 6/2017 | Zaitso |
| 2016/0372744 | A1 | 12/2016 | Essaki et al. | 2017/0186754 | A1 | 6/2017 | Blomberg et al. |
| 2016/0376700 | A1 | 12/2016 | Haukka | 2017/0191164 | A1 | 7/2017 | Alokozai et al. |
| 2016/0376704 | A1 | 12/2016 | Raisanen | 2017/0191861 | A1 | 7/2017 | Rondano et al. |
| 2016/0379826 | A9 | 12/2016 | Arghavani et al. | 2017/0196562 | A1 | 7/2017 | Shelton |
| 2016/0379851 | A1 | 12/2016 | Swaminathan et al. | 2017/0200622 | A1 | 7/2017 | Shiokawa et al. |
| 2016/0381732 | A1 | 12/2016 | Moench et al. | 2017/0204516 | A1 | 7/2017 | Nguyen et al. |
| 2017/0009347 | A1 | 1/2017 | Jang et al. | 2017/0216762 | A1 | 8/2017 | Shugrue et al. |
| 2017/0009367 | A1 | 1/2017 | Harris et al. | 2017/0226636 | A1 | 8/2017 | Xiao |
| 2017/0011889 | A1 | 1/2017 | Winkler et al. | 2017/0232457 | A1 | 8/2017 | Toshiki et al. |
| 2017/0011926 | A1 | 1/2017 | Harada et al. | 2017/0233868 | A1 | 8/2017 | Donoso et al. |
| 2017/0011950 | A1 | 1/2017 | Schmotzer | 2017/0243734 | A1 | 8/2017 | Ishikawa |
| 2017/0018477 | A1 | 1/2017 | Kato | 2017/0250068 | A1 | 8/2017 | Ishikawa |
| 2017/0018570 | A1 | 1/2017 | Lue et al. | 2017/0250075 | A1 | 8/2017 | Caymax et al. |
| 2017/0025280 | A1 | 1/2017 | Milligan | 2017/0256417 | A1 | 9/2017 | Chou |
| 2017/0025291 | A1 | 1/2017 | Lin | 2017/0256429 | A1 | 9/2017 | Lawson et al. |
| 2017/0029945 | A1 | 2/2017 | Kamakura | 2017/0260649 | A1 | 9/2017 | Coomer |
| 2017/0032942 | A1 | 2/2017 | Walfried | 2017/0263437 | A1 | 9/2017 | Li et al. |
| 2017/0032943 | A1 | 2/2017 | Spaulding et al. | 2017/0267527 | A1 | 9/2017 | Kim et al. |
| 2017/0032992 | A1 | 2/2017 | Hoechbauer | 2017/0267531 | A1 | 9/2017 | Huakka |
| 2017/0033004 | A1 | 2/2017 | Siew et al. | 2017/0271191 | A1 | 9/2017 | Yoo et al. |
| 2017/0037513 | A1 | 2/2017 | Haukka | 2017/0271256 | A1 | 9/2017 | Inatsuka |
| 2017/0040164 | A1 | 2/2017 | Wang et al. | 2017/0271501 | A1 | 9/2017 | Avci et al. |
| 2017/0040206 | A1 | 2/2017 | Schmotzer et al. | 2017/0278705 | A1 | 9/2017 | Murakami et al. |
| 2017/0044664 | A1 | 2/2017 | Dussarrat et al. | 2017/0278707 | A1 | 9/2017 | Margetis et al. |
| 2017/0044665 | A1 | 2/2017 | Shon et al. | 2017/0287681 | A1 | 10/2017 | Nitadori et al. |
| 2017/0044666 | A1 | 2/2017 | Jang et al. | 2017/0287744 | A1 | 10/2017 | Kobayashi et al. |
| 2017/0047446 | A1 | 2/2017 | Margetis et al. | 2017/0294318 | A1 | 10/2017 | Yoshida et al. |
| 2017/0051402 | A1 | 2/2017 | Mori | 2017/0294339 | A1 | 10/2017 | Tapily |
| 2017/0051405 | A1 | 2/2017 | Fukazawa et al. | 2017/0294499 | A1 | 10/2017 | Lu et al. |
| 2017/0051406 | A1 | 2/2017 | Mori et al. | 2017/0301519 | A1 | 10/2017 | Naim et al. |
| 2017/0051408 | A1 | 2/2017 | Kosuke et al. | 2017/0301542 | A1 | 10/2017 | Maes et al. |
| 2017/0053811 | A1 | 2/2017 | Fung et al. | 2017/0306478 | A1 | 10/2017 | Raisanen et al. |
| 2017/0058402 | A1 | 3/2017 | Wenxu et al. | 2017/0306479 | A1 | 10/2017 | Raisanen et al. |
| 2017/0062204 | A1 | 3/2017 | Suzuki et al. | 2017/0306480 | A1 | 10/2017 | Zhu et al. |
| 2017/0062209 | A1 | 3/2017 | Shiba | 2017/0309490 | A1 | 10/2017 | Ogawa |
| 2017/0062210 | A1 | 3/2017 | Visser et al. | 2017/0309528 | A1 | 10/2017 | Bansal et al. |
| 2017/0062218 | A1 | 3/2017 | Duan et al. | 2017/0316933 | A1 | 11/2017 | Xie et al. |
| 2017/0062224 | A1 | 3/2017 | Fu et al. | 2017/0316940 | A1 | 11/2017 | Ishikawa |
| 2017/0062258 | A1 | 3/2017 | Bluck | 2017/0317194 | A1 | 11/2017 | Tang et al. |
| 2017/0069725 | A1 | 3/2017 | Bhimarasetti et al. | 2017/0323783 | A1 | 11/2017 | Sanchez et al. |
| 2017/0091320 | A1 | 3/2017 | Psota et al. | 2017/0323784 | A1 | 11/2017 | Faguet et al. |
| 2017/0092469 | A1 | 3/2017 | Kurita et al. | 2017/0338111 | A1 | 11/2017 | Takamure et al. |
| 2017/0092531 | A1 | 3/2017 | Coomer | 2017/0338133 | A1 | 11/2017 | Tan et al. |
| 2017/0092535 | A1 | 3/2017 | Kimihiko et al. | 2017/0338134 | A1 | 11/2017 | Tan et al. |
| 2017/0092847 | A1 | 3/2017 | Kim et al. | 2017/0338192 | A1 | 11/2017 | Lee et al. |
| 2017/0100742 | A1 | 4/2017 | Pore et al. | 2017/0342559 | A1 | 11/2017 | Fukazawa et al. |
| 2017/0103907 | A1 | 4/2017 | Chu et al. | 2017/0343896 | A1 | 11/2017 | Darling et al. |
| 2017/0104061 | A1 | 4/2017 | Peng et al. | 2017/0345674 | A1 | 11/2017 | Ranjan et al. |
| 2017/0107621 | A1 | 4/2017 | Suemori | 2017/0350688 | A1 | 12/2017 | Boyd et al. |
| 2017/0110313 | A1 | 4/2017 | Tang et al. | 2017/0358445 | A1 | 12/2017 | O'Shaughnessy et al. |
| | | | | 2017/0358482 | A1 | 12/2017 | Chen et al. |
| | | | | 2017/0358670 | A1 | 12/2017 | Kub et al. |
| | | | | 2017/0362710 | A1 | 12/2017 | Ge et al. |
| | | | | 2017/0365467 | A1 | 12/2017 | Shimamoto et al. |

(56)

References Cited

U.S. PATENT DOCUMENTS

| | | | | | | | |
|--------------|----|---------|---------------------|--------------|----|---------|-----------------------------|
| 2017/0372884 | A1 | 12/2017 | Margetis et al. | 2018/0179625 | A1 | 6/2018 | Takagi et al. |
| 2017/0373188 | A1 | 12/2017 | Mochizuki et al. | 2018/0180509 | A1 | 6/2018 | Sawachi et al. |
| 2018/0005814 | A1 | 1/2018 | Kumar et al. | 2018/0182613 | A1 | 6/2018 | Blanquart et al. |
| 2018/0010243 | A1 | 1/2018 | Lee et al. | 2018/0182618 | A1 | 6/2018 | Blanquart et al. |
| 2018/0010247 | A1 | 1/2018 | Niskanen | 2018/0187303 | A1 | 7/2018 | Gatineau et al. |
| 2018/0011052 | A1 | 1/2018 | Andersson et al. | 2018/0189923 | A1 | 7/2018 | Zhong et al. |
| 2018/0012792 | A1 | 1/2018 | Zhu | 2018/0190496 | A1 | 7/2018 | Ashihara et al. |
| 2018/0019165 | A1 | 1/2018 | Baum et al. | 2018/0195174 | A1 | 7/2018 | Kim et al. |
| 2018/0025890 | A1 | 1/2018 | Choi | 2018/0204733 | A1 | 7/2018 | Sherpa et al. |
| 2018/0025907 | A1 | 1/2018 | Kalutarage et al. | 2018/0211834 | A1 | 7/2018 | Takamure et al. |
| 2018/0025939 | A1 | 1/2018 | Kovalgin et al. | 2018/0223047 | A1 | 8/2018 | Xiao et al. |
| 2018/0033614 | A1 | 2/2018 | Chandra et al. | 2018/0223429 | A1 | 8/2018 | Fukazawa et al. |
| 2018/0033616 | A1 | 2/2018 | Masaru | 2018/0230595 | A1 | 8/2018 | Suda et al. |
| 2018/0033625 | A1 | 2/2018 | Yoo | 2018/0233372 | A1 | 8/2018 | Vayrynen et al. |
| 2018/0033645 | A1 | 2/2018 | Saido et al. | 2018/0245215 | A1 | 8/2018 | Lei et al. |
| 2018/0033674 | A1 | 2/2018 | Jeong | 2018/0246101 | A1 | 8/2018 | Sasisekharan et al. |
| 2018/0033679 | A1 | 2/2018 | Pore | 2018/0254211 | A1 | 9/2018 | Kosakai et al. |
| 2018/0040746 | A1 | 2/2018 | Johnson et al. | 2018/0258532 | A1 | 9/2018 | Kato et al. |
| 2018/0044800 | A1 | 2/2018 | Hendrix et al. | 2018/0269057 | A1 | 9/2018 | Lei et al. |
| 2018/0047591 | A1 | 2/2018 | Ogo | 2018/0277423 | A1 | 9/2018 | Lottes |
| 2018/0047749 | A1 | 2/2018 | Kim | 2018/0286638 | A1 | 10/2018 | Susa |
| 2018/0053660 | A1 | 2/2018 | Jandl et al. | 2018/0286663 | A1 | 10/2018 | Kobayashi et al. |
| 2018/0053769 | A1 | 2/2018 | Kim et al. | 2018/0286668 | A1 | 10/2018 | Baum et al. |
| 2018/0057931 | A1 | 3/2018 | Cha et al. | 2018/0286672 | A1 | 10/2018 | Van Aerde et al. |
| 2018/0057934 | A1 | 3/2018 | Cooper et al. | 2018/0286675 | A1 | 10/2018 | Blomberg et al. |
| 2018/0057937 | A1 | 3/2018 | Lee et al. | 2018/0286711 | A1 | 10/2018 | Oosterlaken et al. |
| 2018/0061628 | A1 | 3/2018 | Ou et al. | 2018/0294187 | A1 | 10/2018 | Thombare et al. |
| 2018/0061851 | A1 | 3/2018 | Ootsuka | 2018/0305247 | A1 | 10/2018 | Feng et al. |
| 2018/0068844 | A1 | 3/2018 | Chen et al. | 2018/0308686 | A1 | 10/2018 | Xie et al. |
| 2018/0068862 | A1 | 3/2018 | Terakura et al. | 2018/0308701 | A1 | 10/2018 | Na et al. |
| 2018/0068950 | A1 | 3/2018 | Bruley et al. | 2018/0312966 | A1 | 11/2018 | Chan et al. |
| 2018/0069019 | A1 | 3/2018 | Kim et al. | 2018/0315838 | A1 | 11/2018 | Morrow et al. |
| 2018/0076021 | A1 | 3/2018 | Fukushima et al. | 2018/0323055 | A1 | 11/2018 | Woodruff et al. |
| 2018/0083435 | A1 | 3/2018 | Redler | 2018/0323056 | A1 | 11/2018 | Woodruff et al. |
| 2018/0087152 | A1 | 3/2018 | Yoshida | 2018/0323059 | A1 | 11/2018 | Bhargava et al. |
| 2018/0087154 | A1 | 3/2018 | Pore et al. | 2018/0325414 | A1 | 11/2018 | Marashdeh et al. |
| 2018/0087156 | A1 | 3/2018 | Kohei et al. | 2018/0331117 | A1 | 11/2018 | Titus et al. |
| 2018/0090583 | A1 | 3/2018 | Choi et al. | 2018/0337087 | A1 | 11/2018 | Sandhu et al. |
| 2018/0094351 | A1 | 4/2018 | Vergheze et al. | 2018/0350587 | A1 | 12/2018 | Jia et al. |
| 2018/0097076 | A1 | 4/2018 | Cheng et al. | 2018/0350588 | A1 | 12/2018 | Raisanen et al. |
| 2018/0102276 | A1 | 4/2018 | Zhu et al. | 2018/0350620 | A1 | 12/2018 | Zaitso et al. |
| 2018/0105930 | A1 | 4/2018 | Kang et al. | 2018/0350653 | A1 | 12/2018 | Jeong et al. |
| 2018/0108587 | A1 | 4/2018 | Jiang | 2018/0355480 | A1 | 12/2018 | Kondo |
| 2018/0114680 | A1 | 4/2018 | Kim et al. | 2018/0355484 | A1 | 12/2018 | Lansalot-Matras et al. |
| 2018/0119283 | A1 | 5/2018 | Fukazawa | 2018/0358222 | A1 | 12/2018 | Venkatasubramanian et al. |
| 2018/0122642 | A1 | 5/2018 | Raisanen | 2018/0363131 | A1 | 12/2018 | Lee et al. |
| 2018/0122709 | A1 | 5/2018 | Xie | 2018/0363139 | A1 | 12/2018 | Rajavelu et al. |
| 2018/0122959 | A1 | 5/2018 | Calka et al. | 2018/0366314 | A1 | 12/2018 | Niskanen et al. |
| 2018/0126379 | A1 | 5/2018 | Ramsey et al. | 2018/0371610 | A1 | 12/2018 | Banerjee et al. |
| 2018/0127876 | A1 | 5/2018 | Tolle | 2019/0003050 | A1 | 1/2019 | Dezelah et al. |
| 2018/0130652 | A1 | 5/2018 | Pettinger et al. | 2019/0003052 | A1 | 1/2019 | Shero et al. |
| 2018/0130701 | A1 | 5/2018 | Chun | 2019/0006797 | A1 | 1/2019 | Paynter et al. |
| 2018/0135172 | A1 | 5/2018 | Nogami et al. | 2019/0013199 | A1 | 1/2019 | Bhargava et al. |
| 2018/0135173 | A1 | 5/2018 | Kim et al. | 2019/0019670 | A1 | 1/2019 | Lin et al. |
| 2018/0135179 | A1 | 5/2018 | Toshiyuki et al. | 2019/0027573 | A1 | 1/2019 | Zhu et al. |
| 2018/0138036 | A1 | 5/2018 | Baldesseroni et al. | 2019/0027583 | A1 | 1/2019 | Margetis et al. |
| 2018/0142353 | A1 | 5/2018 | Tetsuya et al. | 2019/0027584 | A1 | 1/2019 | Margetis et al. |
| 2018/0142357 | A1 | 5/2018 | Yoshikazu | 2019/0027605 | A1 | 1/2019 | Tolle et al. |
| 2018/0148832 | A1 | 5/2018 | Chatterjee et al. | 2019/0032209 | A1 | 1/2019 | Huggare |
| 2018/0151346 | A1 | 5/2018 | Blanquart | 2019/0032998 | A1 | 1/2019 | Jdira et al. |
| 2018/0151358 | A1 | 5/2018 | Margetis et al. | 2019/0035605 | A1 | 1/2019 | Suzuki |
| 2018/0151588 | A1 | 5/2018 | Tsutsumi et al. | 2019/0035647 | A1 | 1/2019 | Lee et al. |
| 2018/0155832 | A1 | 6/2018 | Hamalainen et al. | 2019/0035810 | A1 | 1/2019 | Chun et al. |
| 2018/0155836 | A1 | 6/2018 | Arai et al. | 2019/0040529 | A1 | 2/2019 | Verbaas et al. |
| 2018/0158688 | A1 | 6/2018 | Chen | 2019/0046947 | A1 | 2/2019 | Strohm et al. |
| 2018/0158716 | A1 | 6/2018 | Konkola et al. | 2019/0051544 | A1 | 2/2019 | Verbaas |
| 2018/0163305 | A1 | 6/2018 | Batzer et al. | 2019/0051548 | A1 | 2/2019 | den Hartog Besselink et al. |
| 2018/0166258 | A1 | 6/2018 | Kim et al. | 2019/0051555 | A1 | 2/2019 | Hill et al. |
| 2018/0166315 | A1 | 6/2018 | Coomer | 2019/0057857 | A1 | 2/2019 | Ishikawa |
| 2018/0171475 | A1 | 6/2018 | Maes et al. | 2019/0057858 | A1 | 2/2019 | Hausmann et al. |
| 2018/0171477 | A1 | 6/2018 | Kim et al. | 2019/0058043 | A1 | 2/2019 | Dewey et al. |
| 2018/0172172 | A1 | 6/2018 | Oehler et al. | 2019/0062907 | A1 | 2/2019 | Kim et al. |
| 2018/0173109 | A1 | 6/2018 | Gronheid et al. | 2019/0062917 | A1 | 2/2019 | Sung et al. |
| 2018/0174801 | A1 | 6/2018 | Chen et al. | 2019/0066978 | A1 | 2/2019 | Um et al. |
| 2018/0174826 | A1 | 6/2018 | Raaijmakers et al. | 2019/0066997 | A1 | 2/2019 | Klaver et al. |
| | | | | 2019/0067003 | A1 | 2/2019 | Zope et al. |
| | | | | 2019/0067004 | A1 | 2/2019 | Kohen et al. |
| | | | | 2019/0067014 | A1 | 2/2019 | Shrestha et al. |
| | | | | 2019/0067016 | A1 | 2/2019 | Zhu et al. |

(56)

References Cited

U.S. PATENT DOCUMENTS

| | | | | | | | |
|--------------|----|---------|-----------------------------|--------------|----|---------|--------------------|
| 2019/0067085 | A1 | 2/2019 | Kweskin | 2019/0390338 | A1 | 12/2019 | Raisanen et al. |
| 2019/0067094 | A1 | 2/2019 | Zope et al. | 2019/0390343 | A1 | 12/2019 | Min et al. |
| 2019/0067095 | A1 | 2/2019 | Zhu et al. | 2019/0393308 | A1 | 12/2019 | Lo et al. |
| 2019/0080903 | A1 | 3/2019 | Abel et al. | 2020/0002811 | A1 | 1/2020 | Sreeram et al. |
| 2019/0081072 | A1 | 3/2019 | Chun et al. | 2020/0002812 | A1 | 1/2020 | Lee et al. |
| 2019/0085451 | A1 | 3/2019 | Lei et al. | 2020/0013612 | A1 | 1/2020 | Blanquart et al. |
| 2019/0086807 | A1 | 3/2019 | Kachel et al. | 2020/0013613 | A1 | 1/2020 | Blanquart |
| 2019/0088555 | A1 | 3/2019 | Xie et al. | 2020/0013626 | A1 | 1/2020 | Longrie et al. |
| 2019/0089143 | A1 | 3/2019 | Malone et al. | 2020/0013629 | A1 | 1/2020 | de Roest et al. |
| 2019/0093221 | A1 | 3/2019 | Jdira et al. | 2020/0018421 | A1 | 1/2020 | Shugrue |
| 2019/0096708 | A1 | 3/2019 | Sharma | 2020/0040458 | A1 | 2/2020 | Ma et al. |
| 2019/0106788 | A1 | 4/2019 | Hawkins et al. | 2020/0048768 | A1 | 2/2020 | Wiegers et al. |
| 2019/0109002 | A1 | 4/2019 | Mattinen et al. | 2020/0052056 | A1 | 2/2020 | Park et al. |
| 2019/0109009 | A1 | 4/2019 | Longrie et al. | 2020/0056282 | A1 | 2/2020 | Raisanen et al. |
| 2019/0112711 | A1 | 4/2019 | Lyons et al. | 2020/0056286 | A1 | 2/2020 | Shero et al. |
| 2019/0115206 | A1 | 4/2019 | Kim et al. | 2020/0063262 | A1 | 2/2020 | Katou et al. |
| 2019/0115237 | A1 | 4/2019 | den Hartog Besselink et al. | 2020/0064737 | A1 | 2/2020 | de Roest |
| 2019/0131124 | A1 | 5/2019 | Kohen et al. | 2020/0066552 | A1 | 2/2020 | Susa |
| 2019/0140067 | A1 | 5/2019 | Zhu et al. | 2020/0080200 | A1 | 3/2020 | Um et al. |
| 2019/0148224 | A1 | 5/2019 | Kuroda et al. | 2020/0083054 | A1 | 3/2020 | Vayrynen et al. |
| 2019/0148398 | A1 | 5/2019 | Kim | 2020/0083375 | A1 | 3/2020 | Tolle et al. |
| 2019/0153593 | A1 | 5/2019 | Zhu et al. | 2020/0083469 | A1 | 3/2020 | Lhullier |
| 2019/0157054 | A1 | 5/2019 | White et al. | 2020/0102649 | A1 | 4/2020 | Reed |
| 2019/0157067 | A1 | 5/2019 | Bhuyan et al. | 2020/0102653 | A1 | 4/2020 | Muralidhar et al. |
| 2019/0163056 | A1 | 5/2019 | Maes et al. | 2020/0105579 | A1 | 4/2020 | Zhu |
| 2019/0164763 | A1 | 5/2019 | Raisanen et al. | 2020/0105594 | A1 | 4/2020 | Cheng et al. |
| 2019/0181002 | A1 | 6/2019 | Iijima et al. | 2020/0109472 | A1 | 4/2020 | Um et al. |
| 2019/0185999 | A1 | 6/2019 | Shanbhag et al. | 2020/0111669 | A1 | 4/2020 | Zaitsu et al. |
| 2019/0189447 | A1 | 6/2019 | Kamp et al. | 2020/0111690 | A1 | 4/2020 | Oosterlaken |
| 2019/0217277 | A1 | 7/2019 | Jeon et al. | 2020/0118811 | A1 | 4/2020 | Utsuno et al. |
| 2019/0221433 | A1 | 7/2019 | Raisanen et al. | 2020/0118815 | A1 | 4/2020 | Fukazawa et al. |
| 2019/0229008 | A1 | 7/2019 | Rokkam et al. | 2020/0118817 | A1 | 4/2020 | Blomberg et al. |
| 2019/0233940 | A1 | 8/2019 | Guo et al. | 2020/0126771 | A1 | 4/2020 | Roh et al. |
| 2019/0237327 | A1 | 8/2019 | Kohen et al. | 2020/0126840 | A1 | 4/2020 | Roh et al. |
| 2019/0244803 | A1 | 8/2019 | Suzuki | 2020/0131634 | A1 | 4/2020 | Gao et al. |
| 2019/0249300 | A1 | 8/2019 | Hatanpaa et al. | 2020/0135512 | A1 | 4/2020 | Oosterlaken et al. |
| 2019/0249303 | A1 | 8/2019 | Kuroda et al. | 2020/0140995 | A1 | 5/2020 | Blanquart et al. |
| 2019/0252195 | A1 | 8/2019 | Haukka | 2020/0141003 | A1 | 5/2020 | Lee et al. |
| 2019/0252196 | A1 | 8/2019 | Vayrynen et al. | 2020/0144058 | A1 | 5/2020 | Kohen |
| 2019/0259611 | A1 | 8/2019 | Nakano et al. | 2020/0161129 | A1 | 5/2020 | Mattinen et al. |
| 2019/0259612 | A1 | 8/2019 | Nozawa et al. | 2020/0161438 | A1 | 5/2020 | Tang et al. |
| 2019/0264324 | A1 | 8/2019 | Shugrue et al. | 2020/0168485 | A1 | 5/2020 | Fluit |
| 2019/0271078 | A1 | 9/2019 | Raisanen et al. | 2020/0279758 | A1 | 5/2020 | Sharma |
| 2019/0272981 | A1 | 9/2019 | Xu et al. | 2020/0173020 | A1 | 6/2020 | Huggare |
| 2019/0272993 | A1 | 9/2019 | Mattinen et al. | 2020/0176244 | A1 | 6/2020 | Lee et al. |
| 2019/0273133 | A1 | 9/2019 | Agrawal et al. | 2020/0176246 | A1 | 6/2020 | Huotari et al. |
| 2019/0276934 | A1 | 9/2019 | Verghese et al. | 2020/0181770 | A1 | 6/2020 | Longrie et al. |
| 2019/0287769 | A1 | 9/2019 | Blomberg et al. | 2020/0194253 | A1 | 6/2020 | Banerjee et al. |
| 2019/0295837 | A1 | 9/2019 | Pore et al. | 2020/0194268 | A1 | 6/2020 | Sharma |
| 2019/0301014 | A1 | 10/2019 | Pierreux et al. | 2020/0224309 | A1 | 7/2020 | Sreeram et al. |
| 2019/0304776 | A1 | 10/2019 | Choi | 2020/0224311 | A1 | 7/2020 | Niskanen et al. |
| 2019/0304780 | A1 | 10/2019 | Kohen et al. | 2020/0227243 | A1 | 7/2020 | Kim et al. |
| 2019/0304790 | A1 | 10/2019 | Mousa et al. | 2020/0227250 | A1 | 7/2020 | Pore et al. |
| 2019/0304821 | A1 | 10/2019 | Pierreux et al. | 2020/0227325 | A1 | 7/2020 | Xie et al. |
| 2019/0311894 | A1 | 10/2019 | Girard et al. | 2020/0232096 | A1 | 7/2020 | Hatanpää et al. |
| 2019/0311897 | A1 | 10/2019 | Kang et al. | 2020/0234989 | A1 | 7/2020 | Jeong |
| 2019/0311940 | A1 | 10/2019 | Choi et al. | 2020/0251328 | A1 | 8/2020 | Zaitsu et al. |
| 2019/0318923 | A1 | 10/2019 | Blanquart et al. | 2020/0258766 | A1 | 8/2020 | Garssen et al. |
| 2019/0322812 | A1 | 10/2019 | Wojtecki et al. | 2020/0266057 | A1 | 8/2020 | Lee et al. |
| 2019/0330740 | A1 | 10/2019 | Klaver | 2020/0266097 | A1 | 8/2020 | Liu et al. |
| 2019/0333753 | A1 | 10/2019 | Ueda et al. | 2020/0266098 | A1 | 8/2020 | Pore et al. |
| 2019/0333761 | A1 | 10/2019 | Tois et al. | 2020/0266208 | A1 | 8/2020 | Kim et al. |
| 2019/0338418 | A1 | 11/2019 | Goradia et al. | 2020/0270749 | A1 | 8/2020 | Li et al. |
| 2019/0346300 | A1 | 11/2019 | Kim et al. | 2020/0270752 | A1 | 8/2020 | Pierreux et al. |
| 2019/0348261 | A1 | 11/2019 | Lin et al. | 2020/0273729 | A1 | 8/2020 | Verbaas et al. |
| 2019/0348273 | A1 | 11/2019 | Tang et al. | 2020/0279721 | A1 | 9/2020 | White et al. |
| 2019/0348515 | A1 | 11/2019 | Li et al. | 2020/0283893 | A1 | 9/2020 | Byun et al. |
| 2019/0363006 | A1 | 11/2019 | Min | 2020/0284467 | A1 | 9/2020 | Lindeboom et al. |
| 2019/0368040 | A1 | 12/2019 | Kachel et al. | 2020/0286725 | A1 | 9/2020 | Sharma et al. |
| 2019/0368041 | A1 | 12/2019 | Sreeram et al. | 2020/0286726 | A1 | 9/2020 | Shero et al. |
| 2019/0371594 | A1 | 12/2019 | Niskanen et al. | 2020/0294789 | A1 | 9/2020 | Woodruff et al. |
| 2019/0371640 | A1 | 12/2019 | Raisanen et al. | 2020/0303180 | A1 | 9/2020 | Kim et al. |
| 2019/0375638 | A1 | 12/2019 | Haukka | 2020/0303196 | A1 | 9/2020 | Chen et al. |
| 2019/0376180 | A1 | 12/2019 | Niskanen | 2020/0309455 | A1 | 10/2020 | Fluit |
| 2019/0378916 | A1 | 12/2019 | Tang et al. | 2020/0312652 | A1 | 10/2020 | Kang et al. |
| | | | | 2020/0318237 | A1 | 10/2020 | Fukazawa |
| | | | | 2020/0321209 | A1 | 10/2020 | Ishikawa et al. |
| | | | | 2020/0332416 | A1 | 10/2020 | Fluit |
| | | | | 2020/0340113 | A1 | 10/2020 | Hatanpää et al. |

(56)

References Cited

U.S. PATENT DOCUMENTS

2020/0340138 A1 10/2020 Tolle et al.
 2020/0343134 A1 10/2020 Kovalgin et al.
 2020/0343358 A1 10/2020 Zhu et al.
 2020/0350193 A1 11/2020 Garssen
 2020/0354836 A1 11/2020 Yednak et al.
 2020/0355296 A1 11/2020 Shugrue et al.
 2020/0357631 A1 11/2020 Ueda
 2020/0365391 A1 11/2020 Blanquart et al.
 2020/0365433 A1 11/2020 de Ridder et al.
 2020/0365434 A1 11/2020 de Ridder
 2020/0365444 A1 11/2020 Hill et al.
 2020/0373152 A1 11/2020 Blanquart

FOREIGN PATENT DOCUMENTS

| | | | | | |
|----|--------------|---------|----|-------------|---------|
| CN | 2588350 | 11/2003 | JP | 6204231 | 7/1994 |
| CN | 1563483 | 1/2005 | JP | H06-319177 | 11/1994 |
| CN | 1655362 | 8/2005 | JP | H06-338497 | 12/1994 |
| CN | 1664987 | 9/2005 | JP | H07-297271 | 1/1995 |
| CN | 1825535 | 8/2006 | JP | H0729836 | 1/1995 |
| CN | 101142012 | 3/2008 | JP | 07066267 | 3/1995 |
| CN | 101609858 | 12/2009 | JP | H07-74162 | 3/1995 |
| CN | 101681873 | 3/2010 | JP | H07-109576 | 4/1995 |
| CN | 102383106 | 3/2012 | JP | 07034936 | 8/1995 |
| CN | 103014846 | 4/2013 | JP | H07-034936 | 8/1995 |
| CN | 103515222 | 1/2014 | JP | H07-225214 | 8/1995 |
| CN | 102373440 | 7/2014 | JP | 7-272694 | 10/1995 |
| CN | 104244620 | 12/2014 | JP | H07-283149 | 10/1995 |
| CN | 105253917 | 1/2016 | JP | H07-209093 | 11/1995 |
| CN | 104201108 | 11/2017 | JP | H08-181135 | 7/1996 |
| CN | 108389798 | 8/2018 | JP | H08-335558 | 12/1996 |
| DE | 8902307 | 8/1989 | JP | H09-064149 | 3/1997 |
| DE | 3836696 | 12/1989 | JP | 9-89676 | 4/1997 |
| DE | 3626724 | 6/1994 | JP | H09-148322 | 6/1997 |
| DE | 10133013 | 1/2003 | JP | H10-41096 | 2/1998 |
| DE | 102008052750 | 6/2009 | JP | H10-50635 | 2/1998 |
| EP | 0058571 | 8/1982 | JP | H1050800 | 2/1998 |
| EP | 0499004 | 8/1992 | JP | H10-064696 | 3/1998 |
| EP | 0550058 | 11/1998 | JP | H10-153494 | 6/1998 |
| EP | 0887632 | 12/1998 | JP | H10-227703 | 8/1998 |
| EP | 1889817 | 2/2008 | JP | H10-0261620 | 9/1998 |
| EP | 2036600 | 3/2009 | JP | H11-097163 | 4/1999 |
| EP | 2426233 | 7/2012 | JP | H11-118615 | 4/1999 |
| FR | 686869 | 7/1930 | JP | H11-183264 | 7/1999 |
| FR | 1408266 | 8/1965 | JP | H11-183265 | 7/1999 |
| FR | 2233614 | 1/1975 | JP | H11-195688 | 7/1999 |
| FR | 2517790 | 6/1983 | JP | H11-287715 | 10/1999 |
| FR | 2610007 | 8/1990 | JP | 2000068355 | 3/2000 |
| GB | 752-277 | 7/1956 | JP | 2000182949 | 6/2000 |
| GB | 1186889 | 6/1966 | JP | 2000269163 | 9/2000 |
| GB | 1514921 | 6/1978 | JP | 2001015698 | 1/2001 |
| JP | 58-19462 | 4/1983 | JP | 2001023872 | 1/2001 |
| JP | 59-211779 | 11/1984 | JP | 2001207265 | 7/2001 |
| JP | 61038863 | 2/1986 | JP | 2001207268 | 7/2001 |
| JP | S62237236 | 10/1987 | JP | 2001210602 | 8/2001 |
| JP | S63136532 | 6/1988 | JP | 2001220677 | 8/2001 |
| JP | H01-296613 | 11/1989 | JP | 2001257199 | 9/2001 |
| JP | H1307229 | 12/1989 | JP | 2001287180 | 10/2001 |
| JP | H02-93071 | 4/1990 | JP | 2002164342 | 6/2002 |
| JP | H02-185038 | 7/1990 | JP | 2002170781 | 6/2002 |
| JP | H02-217469 | 8/1990 | JP | 2002237375 | 8/2002 |
| JP | H03-044472 | 2/1991 | JP | 2003035574 | 2/2003 |
| JP | H03-155625 | 7/1991 | JP | 2003053688 | 2/2003 |
| JP | H03-248427 | 11/1991 | JP | 2003133300 | 5/2003 |
| JP | H04-29313 | 1/1992 | JP | 2003153706 | 5/2003 |
| JP | H04-115531 | 4/1992 | JP | 2004014952 | 5/2003 |
| JP | H05-6880 | 1/1993 | JP | 2003303814 | 10/2003 |
| JP | H05-23079 | 3/1993 | JP | 2004023043 | 1/2004 |
| JP | 405118928 | 5/1993 | JP | 2004091848 | 3/2004 |
| JP | H05-118928 | 5/1993 | JP | 2004113270 | 4/2004 |
| JP | H05-171446 | 7/1993 | JP | 2004128019 | 4/2004 |
| JP | H05-291142 | 11/1993 | JP | 2004134553 | 4/2004 |
| JP | H06-053210 | 2/1994 | JP | 2004163293 | 6/2004 |
| JP | H06-84888 | 3/1994 | JP | 2004244661 | 9/2004 |
| JP | H06-140399 | 5/1994 | JP | 2004294638 | 10/2004 |
| | | | JP | 3589954 | 11/2004 |
| | | | JP | 2004310019 | 11/2004 |
| | | | JP | 2005033221 | 2/2005 |
| | | | JP | 2005079254 | 3/2005 |
| | | | JP | 2005507030 | 3/2005 |
| | | | JP | 2005172489 | 6/2005 |
| | | | JP | 3725100 | 12/2005 |
| | | | JP | 2006028572 | 2/2006 |
| | | | JP | 2006049352 | 2/2006 |
| | | | JP | 2006059931 | 3/2006 |
| | | | JP | 2006090762 | 4/2006 |
| | | | JP | 2006124832 | 5/2006 |
| | | | JP | 2006153706 | 6/2006 |
| | | | JP | 2006186271 | 7/2006 |
| | | | JP | 2006188729 | 7/2006 |
| | | | JP | 2006278058 | 10/2006 |
| | | | JP | 2006319261 | 11/2006 |
| | | | JP | 2007027777 | 2/2007 |
| | | | JP | 2007287902 | 11/2007 |

(56)

References Cited

| FOREIGN PATENT DOCUMENTS | | | NL | 8701549 | 2/1989 |
|--------------------------|--|--|----|------------|---------|
| | | | SU | 494614 | 2/1976 |
| | | | SU | 1408319 | 7/1988 |
| | | | SU | 1786406 | 1/1993 |
| | | | TW | 538327 | 6/2003 |
| | | | TW | 540093 | 7/2003 |
| | | | TW | M292692 | 6/2006 |
| | | | TW | 200731357 | 8/2007 |
| | | | TW | 200903625 | 1/2009 |
| | | | TW | 201247690 | 12/2012 |
| | | | TW | 201330086 | 7/2013 |
| | | | TW | D162593 | 8/2014 |
| | | | TW | D164568 | 12/2014 |
| | | | TW | 201531587 | 8/2015 |
| | | | TW | D196097 | 2/2019 |
| | | | WO | 1987001508 | 3/1987 |
| | | | WO | 1990004045 | 4/1990 |
| | | | WO | 1991004522 | 4/1991 |
| | | | WO | 1991006975 | 5/1991 |
| | | | WO | 1992000477 | 1/1992 |
| | | | WO | 1994027315 | 11/1994 |
| | | | WO | 1996017107 | 6/1996 |
| | | | WO | 1997003223 | 1/1997 |
| | | | WO | 1998032893 | 7/1998 |
| | | | WO | 1999023690 | 5/1999 |
| | | | WO | DM/048579 | 7/1999 |
| | | | WO | 2004008491 | 7/2002 |
| | | | WO | 2004008827 | 1/2004 |
| | | | WO | 2004010467 | 1/2004 |
| | | | WO | 2004106584 | 12/2004 |
| | | | WO | 2005112082 | 11/2005 |
| | | | WO | 2006035281 | 4/2006 |
| | | | WO | 2006054854 | 5/2006 |
| | | | WO | 2006056091 | 6/2006 |
| | | | WO | 2006078666 | 7/2006 |
| | | | WO | 2006080782 | 8/2006 |
| | | | WO | 2006097525 | 9/2006 |
| | | | WO | 2006101857 | 9/2006 |
| | | | WO | 2006114781 | 11/2006 |
| | | | WO | 2007024720 | 3/2007 |
| | | | WO | 2007027165 | 3/2007 |
| | | | WO | 2007076195 | 7/2007 |
| | | | WO | 2007117718 | 10/2007 |
| | | | WO | 2007131051 | 11/2007 |
| | | | WO | 2007140376 | 12/2007 |
| | | | WO | 2008045972 | 4/2008 |
| | | | WO | 2008091900 | 7/2008 |
| | | | WO | 2008121463 | 10/2008 |
| | | | WO | 2008147731 | 12/2008 |
| | | | WO | 2009028619 | 3/2009 |
| | | | WO | 2009029532 | 3/2009 |
| | | | WO | 2009039251 | 3/2009 |
| | | | WO | 2009099776 | 8/2009 |
| | | | WO | 2009154889 | 12/2009 |
| | | | WO | 2009154896 | 12/2009 |
| | | | WO | 2010039363 | 4/2010 |
| | | | WO | 2010077533 | 7/2010 |
| | | | WO | 2010100702 | 9/2010 |
| | | | WO | 2010110558 | 9/2010 |
| | | | WO | 2010118051 | 10/2010 |
| | | | WO | 2010129428 | 11/2010 |
| | | | WO | 2010129430 | 11/2010 |
| | | | WO | 2010129431 | 11/2010 |
| | | | WO | 2011019950 | 2/2011 |
| | | | WO | 2011149640 | 12/2011 |
| | | | WO | 2012056592 | 5/2012 |
| | | | WO | 2012077590 | 6/2012 |
| | | | WO | 2013043330 | 3/2013 |
| | | | WO | 2013078065 | 5/2013 |
| | | | WO | 2013078066 | 5/2013 |
| | | | WO | 2014107290 | 7/2014 |
| | | | WO | 2015026230 | 2/2015 |
| | | | WO | 2015107009 | 7/2015 |
| | | | WO | 2015112728 | 7/2015 |
| | | | WO | 2018109553 | 6/2016 |
| | | | WO | 2018109554 | 6/2016 |
| | | | WO | 2017108713 | 6/2017 |
| | | | WO | 2017108714 | 6/2017 |
| | | | WO | 2017212546 | 12/2017 |
| | | | NL | 8600255 | 9/1987 |

(56)

References Cited

FOREIGN PATENT DOCUMENTS

| | | |
|----|------------|---------|
| WO | 2018003072 | 1/2018 |
| WO | 2018008088 | 1/2018 |
| WO | 2018013778 | 1/2018 |
| WO | 2018020316 | 2/2018 |
| WO | 2018020318 | 2/2018 |
| WO | 2018020320 | 2/2018 |
| WO | 2018020327 | 2/2018 |
| WO | 2018105349 | 6/2018 |
| WO | 2018109551 | 6/2018 |
| WO | 2018109552 | 6/2018 |
| WO | 2018178771 | 10/2018 |
| WO | 2019030565 | 2/2019 |
| WO | 2019103610 | 5/2019 |
| WO | 2019103613 | 5/2019 |
| WO | 2019142055 | 7/2019 |
| WO | 2019158960 | 8/2019 |
| WO | 2019217749 | 11/2019 |
| WO | 2019229537 | 12/2019 |
| WO | 2020002995 | 1/2020 |
| WO | 2020003000 | 1/2020 |

OTHER PUBLICATIONS

CNIPA; Office Action dated Nov. 4, 2019 in Application No. 201610898822.5.

CNIPA; Office Action dated Nov. 11, 2019 in Application No. 201810379112.0.

EPO; Extended European Search Report dated Nov. 29, 2019 in Application No. 19188826.2.

JPO; Notice of Allowance dated Nov. 20, 2019 in Application No. JP2015034774.

JPO; Notice of Allowance dated Dec. 17, 2019 in Application No. 2016001928.

KIPO; Office Action dated Nov. 29, 2019 in Application No. 10-2013-0088450.

KIPO; Notice of Allowance dated Jan. 13, 2020 in Application No. 10-2013-0088450.

KIPO; Notice of Allowance dated Oct. 30, 2019 in Application No. 10-2013-0084459.

KIPO; Office Action dated Dec. 4, 2019 in Application No. 10-2013-0098575.

KIPO; Office Action dated Feb. 3, 2020 in Application No. 10-2014-0021615.

KIPO; Office Action dated Feb. 15, 2020 in Application No. 10-2014-0027305.

TIPO; Notice of Allowance dated Jan. 7, 2020 in Application No. 102136496.

TIPO; Notice of Allowance dated Nov. 27, 2019 in Application No. 104141679.

TIPO; Office Action dated Dec. 13, 2019 in Application No. 105101536.

TIPO; Office Action dated Dec. 13, 2019 in Application No. 105111990.

TIPO; Notice of Allowance dated Dec. 10, 2019 in Application No. 105112363.

TIPO; Notice of Allowance dated Feb. 10, 2020 in Application No. 105115513.

TIPO; Notice of Allowance dated Feb. 13, 2020 in Application No. 105122715.

TIPO; Office Action dated Jan. 20, 2020 in Application No. 105122394.

TIPO; Notice of Allowance dated Jan. 16, 2020 in Application No. 107116804.

TIPO; Office Action dated Nov. 13, 2019 in Application No. 108115406.

USPTO; Notice of Allowance dated Feb. 10, 2020 in U.S. Appl. No. 13/651,144.

USPTO; Notice of Allowance dated Feb. 10, 2020 in U.S. Appl. No. 14/188,760.

USPTO; Final Office Action dated Jan. 27, 2020 in U.S. Appl. No. 14/219,839.

USPTO; Final Office Action dated Jan. 13, 2020 in U.S. Appl. No. 14/219,879.

USPTO; Final Office Action dated Dec. 26, 2019 in U.S. Appl. No. 15/060,412.

USPTO; Advisory Action dated Jan. 3, 2020 in U.S. Appl. No. 15/135,258.

USPTO; Non-Final Office Action dated Feb. 13, 2020 in U.S. Appl. No. 15/135,258.

USPTO; Notice of Allowance dated Dec. 3, 2019 in U.S. Appl. No. 15/205,827.

USPTO; Final Office Action dated Nov. 19, 2019 in U.S. Appl. No. 15/262,990.

USPTO; Advisory Action dated Jan. 30, 2020 in U.S. Appl. No. 15/262,990.

USPTO; Final Office Action dated Jan. 6, 2020 in U.S. Appl. No. 15/286,503.

USPTO; Final Office Action dated Dec. 12, 2019 in U.S. Appl. No. 15/380,909.

USPTO; Non-Final Office Action dated Jan. 15, 2020 in U.S. Appl. No. 15/380,921.

USPTO; Final Office Action dated Jan. 8, 2020 in U.S. Appl. No. 15/589,849.

USPTO; Non-Final Office Action dated Jan. 13, 2020 in U.S. Appl. No. 15/589,861.

USPTO; Advisory Action dated Jan. 17, 2020 in U.S. Appl. No. 15/636,307.

USPTO; Notice of Allowance dated Feb. 7, 2020 in U.S. Appl. No. 15/672,119.

USPTO; Final Office Action dated Jan. 24, 2020 in U.S. Appl. No. 15/691,241.

USPTO; Notice of Allowance dated Jan. 29, 2020 in U.S. Appl. No. 15/719,208.

USPTO; Final Office Action dated Jan. 7, 2020 in U.S. Appl. No. 15/726,959.

USPTO; Notice of Allowance dated Jan. 6, 2020 in U.S. Appl. No. 15/727,432.

USPTO; Non-Final Office Action dated Jun. 14, 2019 in U.S. Appl. No. 15/796,593.

USPTO; Notice of Allowance dated Dec. 31, 2019 in U.S. Appl. No. 15/796,593.

USPTO; Final Office Action dated Jan. 13, 2020 in U.S. Appl. No. 15/815,483.

USPTO; Advisory Action dated Jan. 21, 2020 in U.S. Appl. No. 15/860,564.

USPTO; Notice of Allowance dated Jan. 16, 2020 in U.S. Appl. No. 15/879,209.

USPTO; Advisory Action dated Feb. 7, 2020 in U.S. Appl. No. 15/896,986.

USPTO; Notice of Allowance dated Dec. 17, 2019 in U.S. Appl. No. 15/900,425.

USPTO; Advisory Action dated Nov. 27, 2019 in U.S. Appl. No. 15/917,224.

USPTO; Non-Final Office Action dated Dec. 23, 2019 in U.S. Appl. No. 15/923,834.

USPTO; Final Office Action dated Nov. 27, 2019 in U.S. Appl. No. 15/925,532.

USPTO; Non-Final Rejection dated Nov. 29, 2019 in U.S. Appl. No. 15/949,990.

USPTO; Non-Final Office Action dated Jan. 31, 2020 in U.S. Appl. No. 15/962,980.

USPTO; Non-Final Office Action dated Jan. 16, 2020 in U.S. Appl. No. 15/985,261.

USPTO; Final Office Action dated Jan. 13, 2020 in U.S. Appl. No. 16/000,125.

USPTO; Non-Final Office Action dated Jan. 16, 2020 in U.S. Appl. No. 16/014,981.

USPTO; Non-Final Office Action dated Dec. 11, 2019 in U.S. Appl. No. 16/018,692.

USPTO; Notice of Allowance dated Jan. 30, 2020 in U.S. Appl. No. 16/018,692.

USPTO; Notice of Allowance dated Nov. 26, 2019 in U.S. Appl. No. 16/024,390.

(56)

References Cited

OTHER PUBLICATIONS

- USPTO; Final Office Action dated Nov. 29, 2019 in U.S. Appl. No. 16/038,024.
- USPTO; Final Office Action dated Jan. 28, 2020 in U.S. Appl. No. 16/039,867.
- USPTO; Non-Final Office Action dated Feb. 6, 2020 in U.S. Appl. No. 16/117,530.
- USPTO; Non-Final Office Action dated Jan. 6, 2020 in U.S. Appl. No. 16/132,142.
- USPTO; Notice of Allowance dated Jan. 3, 2020 in U.S. Appl. No. 16/147,047.
- USPTO; Non-Final Office Action dated Nov. 5, 2019 in U.S. Appl. No. 16/152,260.
- USPTO; Final Office Action dated Dec. 16, 2019 in U.S. Appl. No. 16/167,225.
- USPTO; Notice of Allowance dated Dec. 16, 2019 in U.S. Appl. No. 16/188,690.
- USPTO; Notice of Allowance dated Jan. 28, 2020 in U.S. Appl. No. 16/208,062.
- USPTO; Notice of Allowance dated Dec. 9, 2019 in U.S. Appl. No. 16/213,702.
- USPTO; Non-Final Office Action dated Jan. 8, 2020 in U.S. Appl. No. 16/219,555.
- USPTO; Non-Final Office Action dated Jan. 30, 2020 in U.S. Appl. No. 16/245,006.
- USPTO; Final Office Action dated Jan. 10, 2020 in U.S. Appl. No. 16/251,534.
- USPTO; Non-Final Office Action dated Dec. 18, 2019 in U.S. Appl. No. 16/280,964.
- USPTO; Non-Final Office Action dated Jan. 9, 2020 in U.S. Appl. No. 16/317,774.
- USPTO; Non-Final Office Action dated Dec. 26, 2019 in U.S. Appl. No. 16/417,938.
- USPTO; Non-Final Office Action dated Dec. 31, 2019 in U.S. Appl. No. 16/427,288.
- USPTO; Non-Final Office Action dated Dec. 31, 2019 in U.S. Appl. No. 16/455,406.
- USPTO; Ex Parte Quayle Action dated Dec. 17, 2019 in U.S. Appl. No. 29/615,000.
- USPTO; Notice of Allowance dated Jan. 23, 2020 in U.S. Appl. No. 29/634,768.
- WIPO; International Search Report and Written Opinion dated Nov. 19, 2019 in Application No. PCT/IB2019/000127.
- WIPO; International Search Report and Written Opinion dated Jan. 10, 2020 in Application No. PCT/IB2019/000729.
- WIPO; International Search Report and Written Opinion dated Dec. 20, 2019 in Application No. PCT/IB2019/000805.
- WIPO; International Search Report and Written Opinion dated Dec. 20, 2019 in Application No. PCT/IB2019/000817.
- Alen, "Atomic layer deposition of TaN, NbN and MoN films for Cu Metallizations," University of Helsinki Finland, 72 pages, (2005).
- Hamalainen et al., "Atomic Layer Deposition of Rhenium Disulfide," *Adv. Mater.* 30.24, 6 pages (2018).
- Hargreaves et al., "New Fluorides and Oxyfluorides of Rhenium," *J. Chem. Soc.*, pp. 1099-1103 (1960).
- IPS Water Heater Pan Adapter Kit, Nov. 1, 2015, [online], [site visited Dec. 4, 2019]; URL: <http://es.ipscorp.com/watertite/protectivesystem/whpanadapter> (2015).
- Qin et al., "Chemical Vapor Deposition Growth of Degenerate p-Type Mo-Doped ReS₂ Films and Their Homojunction," *ACS Appl. Mater. Interfaces*, 9(18), pp. 15583-15591 (2007).
- Rhenium trioxide; https://en.wikipedia.org/wiki/Rhenium_trioxide [online]; last edited on Feb. 18, 2017.
- Saeki et al. "Reaction Process of Vanadium Tetrachloride with Ammonia in the Vapor Phase and Properties of the Vanadium Nitride Formed" *Bull. Chem. Soc. Jpn.*, 55, pp. 3446-3449 (1982).
- CNIPA; Office Action dated Oct. 16, 2020 in Application No. 201610131743.1.
- CNIPA; Office Action dated Jun. 16, 2020 in Application No. 201610897958.4.
- CNIPA; Office Action dated Jul. 3, 2020 in Application No. 201610898822.5.
- CNIPA; Notice of Allowance dated Oct. 9, 2020 in Application No. 201610898822.5.
- CNIPA; Notice of Allowance dated Nov. 4, 2020 in Application No. 201710173292.2.
- CNIPA; Office Action dated Aug. 31, 2020 in Application No. 201780044761.9.
- CNIPA; Office Action dated Apr. 27, 2020 in Application No. 201810379112.0.
- CNIPA; Office Action dated Apr. 27, 2020 in Application No. 201810836604.8.
- CNIPA; Office Action dated Jul. 30, 2020 in Application No. 201810836604.8.
- CNIPA; Office Action dated Apr. 22, 2020 in Application No. 201810994464.7.
- CNIPA; Notice of Allowance dated May 15, 2020 in Application No. 202030048854.3.
- CNIPA; Notice of Allowance dated Aug. 7, 2020 in Application No. 202030053609.1.
- EPO; Office Action dated Jul. 29, 2008 in Application No. 00902194.0.
- EPO; Office Action dated Jun. 27, 2003 in Application No. 97929595.3.
- EPO; Office Action dated Feb. 18, 2004 in Application No. 97929595.3.
- EPO; Notice of Allowance dated Apr. 29, 2004 in Application No. 97929595.3.
- EPO; Notice of Allowance dated Jan. 10, 2001 in Application No. 98911263.6.
- EPO; Office Action dated Jun. 6, 2001 in Application No. 98911277.6.
- EPO; Office Action dated Jun. 27, 2003 in Application No. 98967122.7.
- EPO; Notice of Allowance dated Feb. 23, 2004 in Application No. 98967122.7.
- EPO; Office Action dated Sep. 22, 2003 in Application No. 99946447.2.
- EPO; Office Action dated Nov. 25, 2003 in Application No. 99946447.2.
- EPO; Office Action dated Mar. 30, 2004 in Application No. 99946447.2.
- EPO; Office Action dated Jul. 19, 2004 in Application No. 99946447.2.
- EPO; Notice of Allowance dated Sep. 22, 2004 in Application No. 99946447.2.
- EPO; Supplementary European Search Report dated May 27, 2002 in Application No. 99973123.
- EPO; Notice of Allowance dated Jun. 11, 2004 in Application No. 99973123.
- JPO; Office Action dated Jun. 1, 2020 in Application No. 2016-206625.
- JPO; Office Action dated Aug. 28, 2020 in Application No. 2017-139817.
- JPO; Notice of Allowance dated Jul. 1, 2020 in Application No. 2019-025168.
- JPO; Office Action dated Aug. 24, 2020 in Application No. 2019-119908.
- JPO; Office Action dated Jun. 29, 2020 in Application No. 2020-502653.
- KIPO; Decision of Intellectual Property Trial and Appeal Board dated Jun. 23, 2020 in Application No. 10-2012-0076564.
- KIPO; Notice of Allowance dated Sep. 25, 2020 in Application No. 10-2013-0049598.
- KIPO; Notice of Allowance dated Aug. 13, 2020 in Application No. 10-2013-0098575.
- KIPO; Notice of Allowance dated Oct. 27, 2020 in Application No. 10-2014-0011764.
- KIPO; Office Action dated Jul. 21, 2020 in Application No. 10-2014-0011765.
- KIPO; Notice of Allowance dated Sep. 8, 2020 in Application No. 10-2014-0021615.

(56)

References Cited

OTHER PUBLICATIONS

KIPO; Office Action dated Oct. 26, 2020 in Application No. 10-2014-0027217.
 KIPO; Notice of Allowance dated Oct. 12, 2020 in Application No. 10-2014-0027305.
 KIPO; Office Action dated Jul. 9, 2020 in Application No. 10-2014-0060120.
 KIPO; Office Action dated Aug. 18, 2020 in Application No. 10-2014-0071653.
 KIPO; Notice of Allowance dated Oct. 19, 2020 in Application No. 10-2014-0086902.
 KIPO; Notice of Allowance dated Sep. 27, 2020 in Application No. 10-2014-0091092.
 KIPO; Office Action dated Oct. 5, 2020 in Application No. 10-2014-0103853.
 KIPO; Office Action dated Oct. 7, 2020 in Application No. 10-2014-0128626.
 KIPO; Office Action dated Jul. 21, 2020 in Application No. 10-2017-0087308.
 KIPO; Notice of Allowance dated Oct. 26, 2020 in Application No. 10-2017-0087308.
 KIPO; Office Action dated Jun. 30, 2020 in Application No. 10-2019-0044213.
 KIPO; Notice of Allowance dated Oct. 28, 2020 in Application No. 10-2020-0009462.
 KIPO; Notice of Allowance dated Jul. 20, 2020 in Application No. 10-2020-7000992.
 KIPO; Notice of Allowance dated Oct. 20, 2020 in Application No. 30-2019-0054013 M001.
 KIPO; Notice of Allowance dated Oct. 20, 2020 in Application No. 30-2019-0054013 M002.
 KIPO; Notice of Allowance dated Oct. 22, 2020 in Application No. 30-2019-0058076.
 TIPO; Notice of Allowance dated Jul. 1, 2020 in Application No. 105101537.
 TIPO; Notice of Allowance dated Sep. 4, 2020 in Application No. 105111990.
 TIPO; Office Action dated Sep. 7, 2020 in Application No. 105122394.
 TIPO; Notice of Allowance dated Aug. 31, 2020 in Application No. 105122586.
 TIPO; Office Action dated Sep. 18, 2020 in Application No. 105129977.
 TIPO; Notice of Allowance dated Sep. 25, 2020 in Application No. 105130130.
 TIPO; Office Action Received Aug. 25, 2020 in Application No. 105131284.
 TIPO; Office Action dated Aug. 25, 2020 in Application No. 105131896.
 TIPO; Office Action dated Sep. 30, 2020 in Application No. 105142668.
 TIPO; Office Action dated Aug. 11, 2020 in Application No. 106100823.
 TIPO; Office Action dated Jun. 17, 2020 in Application No. 106108152.
 TIPO; Office Action dated Oct. 7, 2020 in Application No. 106108522.
 TIPO; Office Action dated Aug. 21, 2020 in Application No. 106111548.
 TIPO; Office Action dated Oct. 8, 2020 in Application No. 106111693.
 TIPO; Office Action dated Sep. 30, 2020 in Application No. 106113604.
 TIPO; Office Action dated Jul. 15, 2020 in Application No. 106120365.
 TIPO; Office Action dated Nov. 12, 2020 in Application No. 106120365.
 TIPO; Office Action dated Nov. 18, 2020 in Application No. 106120902.
 TIPO; Office Action dated Oct. 8, 2020 in Application No. 106123203.
 TIPO; Office Action dated Jun. 24, 2020 in Application No. 108135004.
 TIPO; Office Action dated Jun. 29, 2020 in Application No. 108137226.
 TIPO; Office Action dated Jul. 9, 2020 in Application No. 108137227.
 TIPO; Office Action dated Aug. 17, 2020 in Application No. 108139018.

TIPO; Notice of Allowance dated Oct. 19, 2020 in Application No. 108306935.
 TIPO; Notice of Allowance dated Oct. 19, 2020 in Application No. 108306935D01.
 TIPO; Notice of Allowance dated Jul. 15, 2020 in Application No. 108307027.
 TIPO; Notice of Allowance dated Oct. 19, 2020 in Application No. 108307027D01.
 TIPO; Notice of Allowance dated Sep. 15, 2020 in Application No. 108307301.
 TIPO; Notice of Allowance dated Sep. 25, 2020 in Application No. 108307759.
 USPTO; Non-Final Office Action dated Mar. 28, 2001 in U.S. Appl. No. 09/452,844.
 USPTO; Final Office Action dated Sep. 11, 2001 in U.S. Appl. No. 09/452,844.
 USPTO; Advisory Action dated Jan. 24, 2002 in U.S. Appl. No. 09/452,844.
 USPTO; Non-Final Office Action dated Apr. 9, 2002 in U.S. Appl. No. 09/452,844.
 USPTO; Final Office Action dated Sep. 27, 2002 in U.S. Appl. No. 09/452,844.
 USPTO; Notice of Allowance dated Jun. 17, 2003 in U.S. Appl. No. 09/452,844.
 USPTO; Non-Final Office Action dated Oct. 31, 2003 in U.S. Appl. No. 09/452,844.
 USPTO; Notice of Allowance dated Mar. 26, 2004 in U.S. Appl. No. 09/452,844.
 USPTO; Non-Final Office Action dated Dec. 10, 2002 in U.S. Appl. No. 09/771,673.
 USPTO; Final Office Action dated May 29, 2003 in U.S. Appl. No. 09/771,673.
 USPTO; Final Office Action dated Feb. 6, 2004 in U.S. Appl. No. 09/771,673.
 USPTO; Advisory Action dated Apr. 20, 2004 in U.S. Appl. No. 09/771,673.
 USPTO; Notice of Allowance dated Jul. 29, 2004 in U.S. Appl. No. 09/771,673.
 USPTO; Non-Final Office Action dated Jan. 3, 2002 in U.S. Appl. No. 09/807,580.
 USPTO; Final Office Action dated Jun. 21, 2002 in U.S. Appl. No. 09/807,580.
 USPTO; Advisory Action dated Aug. 27, 2002 in U.S. Appl. No. 09/807,580.
 USPTO; Non-Final Action dated Nov. 27, 2002 in U.S. Appl. No. 09/807,580.
 USPTO; Final Office Action dated May 27, 2003 in U.S. Appl. No. 09/807,580.
 USPTO; Advisory Action dated Oct. 22, 2003 in U.S. Appl. No. 09/807,580.
 USPTO; Examiner's Answer to Appeal Brief dated May 6, 2004 in U.S. Appl. No. 09/807,580.
 USPTO; Decision on Appeal dated Feb. 16, 2005 in U.S. Appl. No. 09/807,580.
 USPTO; Non-Final Action dated May 19, 2005 in U.S. Appl. No. 09/807,580.
 USPTO; Final Action dated Nov. 21, 2005 in U.S. Appl. No. 09/807,580.
 USPTO; Notice of Allowance dated Feb. 23, 2006 in U.S. Appl. No. 09/807,580.
 USPTO; Non-Final Office Action dated May 13, 2003 in U.S. Appl. No. 10/222,229.
 USPTO; Non-Final Office Action dated Feb. 9, 2004 in U.S. Appl. No. 10/603,515.
 USPTO; Notice of Allowance dated Jun. 18, 2004 in U.S. Appl. No. 10/603,515.
 USPTO; Non-Final Office Action dated Oct. 17, 2006 in U.S. Appl. No. 10/932,633.
 USPTO; Non-Final Office Action dated Apr. 19, 2007 in U.S. Appl. No. 10/932,633.
 USPTO; Notice of Allowance dated Sep. 10, 2007 in U.S. Appl. No. 10/932,633.

(56)

References Cited

OTHER PUBLICATIONS

- USPTO; Notice of Allowance dated Jul. 6, 2020 in U.S. Appl. No. 13/184,351.
- USPTO; Examiner's Answer to Appeal Brief dated Apr. 20, 2018 in U.S. Appl. No. 13/187,300.
- USPTO; Patent Board Decision dated Sep. 23, 2019 in U.S. Appl. No. 13/187,300.
- USPTO; Advisory Action dated Nov. 10, 2015 in U.S. Appl. No. 14/079,302.
- USPTO; Notice of Allowance dated Sep. 3, 2020 in U.S. Appl. No. 14/444,744.
- USPTO; Notice of Allowance dated Aug. 6, 2020 in U.S. Appl. No. 14/457,058.
- USPTO; Final Office Action dated Aug. 20, 2020 in U.S. Appl. No. 14/508,489.
- USPTO; Notice of Allowance dated Nov. 3, 2020 in U.S. Appl. No. 14/508,489.
- USPTO; Non-Final Office Action dated Aug. 3, 2020 in U.S. Appl. No. 14/829,565.
- USPTO; Notice of Allowance dated Aug. 18, 2020 in U.S. Appl. No. 15/135,258.
- USPTO; Non-Final Office Action dated Oct. 6, 2020 in U.S. Appl. No. 15/262,990.
- USPTO; Final Office Action dated Oct. 2, 2020 in U.S. Appl. No. 15/286,503.
- USPTO; Non-Final Office Action dated Sep. 2, 2020 in U.S. Appl. No. 15/377,439.
- USPTO; Non-Final Office Action dated Jul. 1, 2020 in U.S. Appl. No. 15/380,909.
- USPTO; Final Office Action dated Jul. 23, 2020 in U.S. Appl. No. 15/380,921.
- USPTO; Final Office Action dated Sep. 8, 2020 in U.S. Appl. No. 15/402,993.
- USPTO; Advisory Action dated Nov. 9, 2020 in U.S. Appl. No. 15/402,993.
- USPTO; Non-Final Office Action dated Sep. 30, 2020 in U.S. Appl. No. 15/491,726.
- USPTO; Final Office Action dated Jul. 8, 2020 in U.S. Appl. No. 15/589,861.
- USPTO; Notice of Allowance dated Oct. 16, 2020 in U.S. Appl. No. 15/589,861.
- USPTO; Final Office Action dated Sep. 16, 2020 in U.S. Appl. No. 15/611,707.
- USPTO; Advisory Action dated Nov. 20, 2020 in U.S. Appl. No. 15/611,707.
- USPTO; Non-Final Office Action dated Sep. 3, 2020 in U.S. Appl. No. 15/636,307.
- USPTO; Notice of Allowance dated Jul. 2, 2020 in U.S. Appl. No. 15/672,096.
- USPTO; Advisory Action dated Aug. 6, 2020 in U.S. Appl. No. 15/690,017.
- USPTO; Non-Final Office Action dated Aug. 24, 2020 in U.S. Appl. No. 15/690,017.
- USPTO; Non-Final Office Action dated Oct. 6, 2020 in U.S. Appl. No. 15/691,241.
- USPTO; Final Office Action dated Sep. 24, 2020 in U.S. Appl. No. 15/726,959.
- USPTO; Non-Final Office Action dated Jul. 10, 2020 in U.S. Appl. No. 15/798,201.
- USPTO; Notice of Allowance dated Oct. 21, 2020 in U.S. Appl. No. 15/798,201.
- USPTO; Non-Final Office Action dated Jul. 2, 2020 in U.S. Appl. No. 15/802,154.
- USPTO; Notice of Allowance dated Oct. 26, 2020 in U.S. Appl. No. 15/802,154.
- USPTO; Notice of Allowance dated Sep. 30, 2020 in U.S. Appl. No. 15/815,483.
- USPTO; Final Office Action dated Sep. 17, 2020 in U.S. Appl. No. 15/835,328.
- USPTO; Final Office Action dated Aug. 6, 2020 in U.S. Appl. No. 15/835,352.
- USPTO; Notice of Allowance dated Aug. 17, 2020 in U.S. Appl. No. 15/843,899.
- USPTO; Notice of Allowance dated Jun. 30, 2020 in U.S. Appl. No. 15/860,564.
- USPTO; Notice of Allowance dated Aug. 19, 2020 in U.S. Appl. No. 15/861,418.
- USPTO; Non-Final Office Action dated Sep. 2, 2020 in U.S. Appl. No. 15/890,037.
- USPTO; Notice of Allowance dated Aug. 26, 2020 in U.S. Appl. No. 15/896,986.
- USPTO; Non-Final Office Action dated Sep. 9, 2020 in U.S. Appl. No. 15/909,705.
- USPTO; Final Office Action dated Sep. 24, 2020 in U.S. Appl. No. 15/917,224.
- USPTO; Non-Final Office Action dated Jul. 6, 2020 in U.S. Appl. No. 15/923,834.
- USPTO; Final Office Action dated Oct. 19, 2020 in U.S. Appl. No. 15/923,834.
- USPTO; Final Office Action dated Oct. 15, 2020 in U.S. Appl. No. 15/925,532.
- USPTO; Non-Final Office Action dated Oct. 6, 2020 in U.S. Appl. No. 15/940,729.
- USPTO; Non-Final Office Action dated Aug. 3, 2020 in U.S. Appl. No. 15/940,759.
- USPTO; Advisory Action dated Jul. 2, 2020 in U.S. Appl. No. 15/962,980.
- USPTO; Non-Final Office Action dated Sep. 14, 2020 in U.S. Appl. No. 15/962,980.
- USPTO; Non-Final Office Action dated Oct. 6, 2020 in U.S. Appl. No. 15/967,146.
- USPTO; Final Office Action dated Sep. 3, 2020 in U.S. Appl. No. 15/974,948.
- USPTO; Notice of Allowance dated Oct. 14, 2020 in U.S. Appl. No. 15/974,988.
- USPTO; Final Office Action dated Nov. 25, 2020 in U.S. Appl. No. 15/985,539.
- USPTO; Final Office Action dated Jul. 24, 2020 in U.S. Appl. No. 15/996,286.
- USPTO; Advisory Action dated Oct. 7, 2020 in U.S. Appl. No. 15/996,286.
- USPTO; Final Office Action dated Oct. 2, 2020 in U.S. Appl. No. 15/997,445.
- USPTO; Notice of Allowance dated Jul. 10, 2020 in U.S. Appl. No. 15/998,775.
- USPTO; Final Office Action dated Sep. 14, 2020 in U.S. Appl. No. 16/000,109.
- USPTO; Final Office Action dated Oct. 6, 2020 in U.S. Appl. No. 16/000,125.
- USPTO; Final Office Action dated Oct. 22, 2020 in U.S. Appl. No. 16/000,156.
- USPTO; Final Office Action dated Oct. 15, 2020 in U.S. Appl. No. 16/004,041.
- USPTO; Non-Final Office Action dated Sep. 8, 2020 in U.S. Appl. No. 16/039,817.
- USPTO; Non-Final Office Action dated Nov. 24, 2020 in U.S. Appl. No. 16/039,938.
- USPTO; Non-Final Office Action dated Aug. 4, 2020 in U.S. Appl. No. 16/042,791.
- USPTO; Final Office Action dated Jul. 30, 2020 in U.S. Appl. No. 16/055,532.
- USPTO; Final Office Action dated Nov. 3, 2020 in U.S. Appl. No. 16/055,532.
- USPTO; Notice of Allowance dated Sep. 14, 2020 in U.S. Appl. No. 16/100,012.
- USPTO; Advisory Action dated Aug. 25, 2020 in U.S. Appl. No. 16/105,745.
- USPTO; Non-Final Office Action dated Nov. 25, 2020 in U.S. Appl. No. 16/105,745.
- USPTO; Advisory Action dated Jul. 8, 2020 in U.S. Appl. No. 16/105,761.

(56)

References Cited

OTHER PUBLICATIONS

- USPTO; Non-Final Office Action dated Nov. 25, 2020 in U.S. Appl. No. 16/105,761.
- USPTO; Final Office Action dated Nov. 17, 2020 in U.S. Appl. No. 16/105,802.
- USPTO; Non-Final Office Action dated Sep. 8, 2020 in U.S. Appl. No. 16/108,950.
- USPTO; Final Office Action dated Sep. 2, 2020 in U.S. Appl. No. 16/116,708.
- USPTO; Advisory Action dated Nov. 17, 2020 in U.S. Appl. No. 16/116,708.
- USPTO; Final Office Action dated Nov. 19, 2020 in U.S. Appl. No. 16/128,282.
- USPTO; Notice of Allowance dated Aug. 5, 2020 in U.S. Appl. No. 16/130,798.
- USPTO; Advisory Action dated Aug. 24, 2020 in U.S. Appl. No. 16/132,142.
- USPTO; Non-Final Office Action dated Oct. 16, 2020 in U.S. Appl. No. 16/132,142.
- USPTO; Final Office Action dated Aug. 20, 2020 in U.S. Appl. No. 16/137,974.
- USPTO; Notice of Allowance dated Nov. 3, 2020 in U.S. Appl. No. 16/137,974.
- USPTO; Non-Final Office Action dated Jul. 30, 2020 in U.S. Appl. No. 16/151,074.
- USPTO; Advisory Action dated Sep. 16, 2020 in U.S. Appl. No. 16/152,260.
- USPTO; Final Office Action dated Jul. 15, 2020 in U.S. Appl. No. 16/152,260.
- USPTO; Non-Final Office Action dated Nov. 9, 2020 in U.S. Appl. No. 16/152,260.
- USPTO; Notice of Allowance dated Jul. 24, 2020 in U.S. Appl. No. 16/158,077.
- USPTO; Non-Final Office Action dated Jul. 23, 2020 in U.S. Appl. No. 16/167,164.
- USPTO; Non-Final Office Action dated Aug. 7, 2020 in U.S. Appl. No. 16/172,535.
- USPTO; Final Office Action dated Oct. 16, 2020 in U.S. Appl. No. 16/172,535.
- USPTO; Non-Final Office Action dated Nov. 4, 2020 in U.S. Appl. No. 16/176,517.
- USPTO; Non-Final Office Action dated Oct. 29, 2020 in U.S. Appl. No. 16/183,258.
- USPTO; Notice of Allowance dated Jul. 28, 2020 in U.S. Appl. No. 16/193,789.
- USPTO; Notice of Allowance dated Jul. 7, 2020 in U.S. Appl. No. 16/194,041.
- USPTO; Final Office Action dated Nov. 27, 2020 in U.S. Appl. No. 16/205,899.
- USPTO; Non-Final Office Action dated Jul. 15, 2020 in U.S. Appl. No. 16/210,922.
- USPTO; Advisory Action dated Sep. 11, 2020 in U.S. Appl. No. 16/219,555.
- USPTO; Non-Final Office Action dated Sep. 30, 2020 in U.S. Appl. No. 16/219,555.
- USPTO; Advisory Action dated Aug. 11, 2020 in U.S. Appl. No. 16/242,829.
- USPTO; Notice of Allowance dated Sep. 23, 2020 in U.S. Appl. No. 16/242,829.
- USPTO; Non-Final Office Action dated Sep. 3, 2020 in U.S. Appl. No. 16/242,852.
- USPTO; Final Office Action dated Oct. 14, 2020 in U.S. Appl. No. 16/251,534.
- USPTO; Final Office Action dated Nov. 18, 2020 in U.S. Appl. No. 16/252,567.
- USPTO; Notice of Allowance dated Aug. 6, 2020 in U.S. Appl. No. 16/255,639.
- USPTO; Notice of Allowance dated Aug. 5, 2020 in U.S. Appl. No. 16/258,187.
- USPTO; Final Office Action dated Jun. 30, 2020 in U.S. Appl. No. 16/356,394.
- USPTO; Notice of Allowance dated Aug. 31, 2020 in U.S. Appl. No. 16/356,394.
- USPTO; Non-Final Office Action dated Aug. 5, 2020 in U.S. Appl. No. 16/397,045.
- USPTO; Non-Final Office Action dated Aug. 19, 2020 in U.S. Appl. No. 16/400,814.
- USPTO; Notice of Allowance dated Sep. 18, 2020 in U.S. Appl. No. 16/454,063.
- USPTO; Non-Final Office Action dated Nov. 27, 2020 in U.S. Appl. No. 16/468,258.
- USPTO; Non-Final Office Action dated Nov. 5, 2020 in U.S. Appl. No. 16/546,543.
- USPTO; Notice of Allowance dated Sep. 16, 2020 in U.S. Appl. No. 16/598,768.
- USPTO; Non-Final Office Action dated Oct. 16, 2020 in U.S. Appl. No. 16/679,885.
- USPTO; Non-Final Office Action dated Nov. 16, 2020 in U.S. Appl. No. 16/713,311.
- USPTO; Final Office Action dated Oct. 2, 2020 in U.S. Appl. No. 16/833,279.
- USPTO; Non-Final Office Action dated Jul. 9, 2020 in U.S. Appl. No. 16/897,158.
- USPTO; Notice of Allowance dated Nov. 12, 2020 in U.S. Appl. No. 16/897,158.
- USPTO; Non-Final Office Action dated Aug. 4, 2020 in U.S. Appl. No. 16/926,192.
- USPTO; Final Office Action dated Sep. 9, 2020 in U.S. Appl. No. 29/726,623.
- USPTO; Notice of Allowance dated Nov. 23, 2020 in U.S. Appl. No. 29/726,623.
- WIPO; International Search Report dated Oct. 13, 1998 in Application No. PCT/FI1998/000571.
- WIPO; International Search Report dated Jul. 13, 1990 in Application No. PCT/NL1990/000027.
- WIPO; International Search Report dated Jan. 11, 1990 in Application No. PCT/NL1990/000042.
- WIPO; International Search Report dated Feb. 26, 1991 in Application No. PCT/NL1990/000166.
- WIPO; International Search Report dated Oct. 25, 1991 in Application No. PCT/NL1991/000108.
- WIPO; International Search Report dated Oct. 17, 1997 in Application No. PCT/NL1997/000398.
- WIPO; International Preliminary Examination Report dated Oct. 2, 1998 in Application No. PCT/NL1997/000398.
- WIPO; International Search Report dated Apr. 24, 1998 in Application No. PCT/NL1998/000055.
- WIPO; International Preliminary Examination Report dated Feb. 24, 1999 in Application No. PCT/NL1998/000055.
- WIPO; International Search Report dated May 27, 1998 in Application No. PCT/NL1998/000105.
- WIPO; International Search Report dated May 8, 1998 in Application No. PCT/NL1998/000151.
- WIPO; International Preliminary Examination Report dated Mar. 23, 1999 in Application No. PCT/NL1998/000151.
- WIPO; International Search Report dated May 27, 1998 in Application No. PCT/NL1998/000167.
- WIPO; International Preliminary Examination Report dated Jul. 13, 1999 in Application No. PCT/NL1998/000167.
- WIPO; International Search Report dated Jul. 8, 1998 in Application No. PCT/NL1998/000204.
- WIPO; International Search Report dated Aug. 21, 1998 in Application No. PCT/NL1998/000246.
- WIPO; International Search Report dated Oct. 16, 1998 in Application No. PCT/NL1998/000383.
- WIPO; International Preliminary Examination Report dated Sep. 16, 1999 in Application No. PCT/NL1998/000383.
- WIPO; International Search Report dated Apr. 15, 1999 in Application No. PCT/NL1999/000047.
- WIPO; International Search Report dated Oct. 12, 1999 in Application No. PCT/NL1999/000487.

(56)

References Cited

OTHER PUBLICATIONS

- WIPO; International Search Report dated Dec. 16, 1999 in Application No. PCT/NL1999/000583.
- WIPO; Written Opinion dated Jul. 24, 2000 in Application No. PCT/NL1999/000583.
- WIPO; International Preliminary Examination Report dated Jan. 22, 2001 in Application No. PCT/NL1999/000583.
- WIPO; International Search Report dated Apr. 19, 2000 in Application No. PCT/NL2000/000020.
- WIPO; Written Opinion dated Oct. 17, 2000 in Application No. PCT/NL2000/000020.
- WIPO; International Search Report dated Dec. 16, 1999 in Application No. PCT/RU1999/000328.
- WIPO; International Preliminary Examination Report dated Jun. 29, 2001 in Application No. PCT/RU1999/000328.
- Akiyama et al. "Macro- and micro-scale simulation of growth rate and composition in MOCVD of yttria-stabilized zirconia" *J. Crystal Growth* 241, pp. 352-362 (2002).
- Altiere et al. "Review Article: Plasma-surface interactions at the atomic scale for patterning metals" *J. Vac. Sci. Technol. A* 35, 05C203, 13 pages (2017).
- Ande et al. "Role of Surface Termination in Atomic Layer Deposition of Silicon Nitride" *J. Phys. Chem. Lett.*, 6(18), 16 pages (2015).
- Atta et al. "The Catalytic Activity of Ruthenates ARuO₃ (A=Ca, Sr or Ba) for the Hydrogen Evolution Reaction in Acidic Medium" *Int. J. Electrochem. Sci.* 7, pp. 725-746 (2012).
- Ballal "Mass Transfer in Porous Solids under Pulsating Pressure Conditions" *SLJ International*, vol. 35, Nov. 4, pp. 446-448 (1995).
- Brewin et al. "UPS to deploy Bluetooth, wireless LAN network" *Internet*, pp. 1-5 (2001).
- Bulletin Plasma Source—Dec. 2002: Type AX7610—Downstream Plasma Source. Source location: MKS Instruments, Inc. <http://www.mksinst.com/>. Accessed: Aug. 6, 2015. pp. 1-4 (2002).
- Bulletin ASTRONe—Apr. 2002: Type AX7680—Reactive Gas Generator. Source location: MKS Instruments, Inc. <http://www.mksinst.com/>. Accessed: Aug. 6, 2015. pp. 1-2 (2002).
- Bulletin ASTRONex—Jul. 2009: Type AX7685—Reactive Gas Generator. Source location: MKS Instruments, Inc. <http://www.mksinst.com/>. Accessed: Aug. 6, 2015. pp. 1-2 (2002).
- Bulletin Astron hf-s—Mar. 2005: Type AX7645—Reactive Gas Generator. Source location: MKS Instruments, Inc. <http://www.mksinst.com/>. Accessed: Aug. 6, 2015. pp. 1-2 (2005).
- Bulletin ENG-Xstream-340-09 OM Aug. 2006: Xstream with Active Matching Network Remote Plasma Source. Advanced Energy Industries, Inc. <http://www.advanced-energy.net.cn/upload/File/Sources/ENG-Xstream-340-09.pdf>. Accessed: Jul. 19, 2016. pp. 1-4 (2006).
- Bulletin R*evolution—Sep. 2006: Type AX7690—Remote Plasma Source. Source location: MKS Instruments, Inc. <http://www.mksinst.com/>. Accessed: Aug. 6, 2015. pp. 1-2 (2006).
- Callaghan et al. "Magnetic Interactions in Ternary Ruthenium Oxides" *Inorganic Chemistry*, vol. 5, No. 9, pp. 1572-1576 (1966).
- Choi et al. "UV irradiation effects on the bonding structure and electrical properties of ultra low-k SiOC(-H) thin films for 45 nm technology node" *Current Applied Physics*, 11, S109-S113 (2011).
- Closser et al., "Molecular Layer Deposition of a Highly Stable Silicon Oxycarbide Thin Film Using an Organic Chlorosilane and Water," *ACS Applied Materials & Interfaces* 10, pp. 24266-24274 (2018).
- Crystal IS "Application Note: Using UV Reflective Materials to Maximize Disinfection"; AN011; Jun. 16, 2016, found at <https://www.klaran.com/using-uv-reflective-materials-to-maximize-disinfection>.
- Dufond et al. "Quantifying the Extent of Ligand Incorporation and the Effect on Properties of TiO₂ Thin Films Grown by Atomic Layer Deposition Using an Alkoxide or an Alkylamide" *Chemistry of Material*, American Chemical Society 32(4), pp. 1393-1407 (2020).
- Dultsev et al. "Effect of UV radiation on the reactivity of porous methyl-doped SiO₂ layers" *Phys. Status Solidi C*, 8, No. 6, pp. 1946-1949 (2011).
- Esposito et al. "Preparation and characterization of lead ruthenate based composite cathodes for SOFC applications" *Mater. Res. Soc. Symp. Proc.*, vol. 835, 6 pages (2005).
- Fray et al. "Aspects of the Application of Electrochemistry to the Extraction of Titanium and Its Applications" *Materials Transactions*, vol. 58, No. 3, pp. 306-312 (2017).
- Freund et al. "Single crystal growth from separated educts and its application to lithium transition-metal oxides" *Sci. Rep.* 6, 35362, pp. 1-5 (2016).
- Frequently Asked Question, "What is a load lock chamber?", Kurt J. Lesker Company, www.lesker.com, p. 1 (2020).
- Hong et al. "Ultralow-dielectric-constant amorphous boron nitride" *Nature*, vol. 582, 16 pp. (2020).
- Hubert et al., "A Stacked Sonos Technology, up to 4 Levels and 6nm Crystalline Nanowires, With Gate-All-Around or Independent Gates (-Flash), Suitable for Full 3D Integration," *Minattec, IEDM09-637-640* (2009).
- Ivanova et al. "ALD of Sc₂O₃ using Sc(Cp)₃ and a Novel Heteroleptic Precursors" Presented on the AVS 19th International Conference on Atomic Layer Deposition, Jul. 23, 2019, Abstract, 1 page (2019).
- Johnson et al. "A brief review of atomic layer deposition: from fundamentals to applications". *Materials Today*, vol. 17, Issue 5, pp. 236-246 (2014).
- Juppo et al. "Deposition of molybdenum thin films by an alternate supply of MoCl₅ and Zn" *J of Vacuum Science & Technology A*, 16, pp. 2845-2850 (1998).
- Katamreddy et al., "ALD and Characterization of Aluminum Oxide Deposited on Si(100) using Tris(diethylamino) Aluminum and Water Vapor," *Journal of the Electrochemical Society*, 153 (10) C701-C706 (2006).
- Kim et al. "Thermal Decomposition of Tetrakis(ethylmethylamido) Titanium for Chemical Vapor Deposition of Titanium Nitride" *Bull. Korean Chem. Soc.*, vol. 27, No. 2, 5 pages (2006).
- Kirsch et al. "Dipole model explaining high-k/metal gate field effect transistor threshold voltage tuning" *Applied Physics Letters* 92, Sep. 29, 2001, 3 pages (2008).
- Kjesbu, ABB Corporate Research, *Internet*, pp. 1-37 (2002).
- Kofuji et al. "Line-edge roughness increase due to wiggling enhanced by initial pattern waviness" *Jpn. J. Appl. Phys.* 53, Dec. 3, 2001, pp. 1-7 (2014).
- Kofuji et al. "Mechanism of wiggling enhancement due to HBr gas addition during amorphous carbon etching" *Jpn. J. Appl. Phys.* 54, 06FH04, pp. 107 (2015).
- Kovalgin et al. "Hot-Wire Assisted ALD: A Study Powered by In Situ Spectroscopic Ellipsometry" *Adv. Mater. Interfaces* 4, 1700058, 11 pages (2017).
- Krumdieck et al. "Experimental Characterization and Modeling of Pulsed MOCVD with Ultrasonic Atomization of Liquid Precursor" *Chem. Vap. Deposition*, 7 (2), pp. 85-90 (2001).
- Krumdieck "Kinetic Model of Low Pressure Film Deposition from Single Precursor Vapor in a Well-Mixed, Cold-Wall Reactor" *Acta mater.*, 49, pp. 583-588 (2001).
- Kuchumov et al. "Pulsed MO CVD Processes of MgO Layer Deposition from Mg(thd)₂" *ECS Trans.* 25, pp. 927-934 (2009).
- Kukli et al. "Atomic Layer Deposition and Chemical Vapor Deposition of Tantalum Oxide by Successive and Simultaneous Pulsing of Tantalum Ethoxide and Tantalum Chloride" *Chem. Mater.* 12, pp. 1914-1920 (2000).
- Kukli et al. "Atomic Layer Epitaxy Growth of Tantalum Oxide Thin Films from Ta(OC₂H₅)₅ and H₂O" *The Electrochemical Society*, vol. 142, No. 5, pp. 1670-1674 (1995).
- Kumar et al. "Bringing the benefits of Java to Bluetooth" <http://www.allembedded.com/story/OEG20020519S001>, pp. 1-3 (2002).
- Mameli et al. "Area-Selective Atomic Layer Deposition of SiO₂ Using Acetylacetone as a Chemoselective Inhibitor in an ABC-Type Cycle" *ACS Nano* 11, pp. 9303-9311 (2017).
- Mameli et al. "Isotropic Atomic Layer Etching of ZnO Using Acetylacetone and O₂ Plasma" *ACS Appl. Mater. Interfaces* 10, pp. 38588-38595 (2018).

(56)

References Cited

OTHER PUBLICATIONS

Naslain et al. "Synthesis of highly tailored ceramic matrix composites by pressure-pulsed CVD" *Solid State Ionics*, 141-142, pp. 541-548 (2001).

Niinisto et al. "Advanced electronic and optoelectronic materials by Atomic Layer Deposition: An overview with special emphasis on recent progress in processing of high-k dielectrics and other oxide materials" *Pus. Stat. Sol. (a)* 201, No. 7, pp. 1443-1452 (2004).

Ohzawa et al. "Preparation of fibrous SiC shape using pressure-pulsed chemical vapour infiltration and its properties as a high-temperature filter" *J. of Materials Processing Technology*, 96, pp. 151-156 (1999).

O'Malley et al. "Structure and properties of ordered Li₂IrO₃ and Li₂PtO₃" *Journal of Solid State Chemistry* 181, pp. 1803-1809 (2008).

Park et al. "Atomic layer deposition of Y₂O₃ films using hetroleptic liquid (iPrCp)2Y(iPr-amd) precursor" *J. Mater. Chem. C*, 2, 9 pages (2014).

Peters et al., "Aerosol-Assisted Chemical Vapor Deposition of NbS₂ and TaS₂ Thin Films from Pentakis(dimethylamido)metal Complexes and 2-Methylpropanethiol" *Eur. J. Inorg. Chem.*, pp. 4179-4185 (2005).

Posseme et al. "Alternative process for thin layer etching: Application to nitride spacer etching stopping on silicon germanium" *Appl. Phys. Lett.* 105, 051604, pp. 1-4 (2014).

Provine et al. "Atomic Layer Deposition: Introduction to the Theory and Cambridge Nanotech Savannah & Fiji" NNIN ALD Roadshow Presentation, 49 pages (2012).

Rosemount 1199 Diaphragm Seal Systems, Product Data Sheet, 92 pages (2008).

Senateur et al. "Pulsed Injection MOCVD of Functional Electronic Oxides" *Adv. Mater. Opt. Electron*, 10, pp. 155-161 (2000).

Shevtsov et al. "An Apparatus for Pulse Chemical Vapor Deposition of Layers" *Instruments and Experimental Techniques*, vol. 56, No. 3, pp. 353-357 (2013).

Shevtsov et al. "Effect of Spatial Image Transfer in a Pulse MOCVD Process" *Physics Procedia* 46, pp. 27-32 (2013).

Stannowski et al. "Growth process and properties of silicon nitride deposited by hot-wire chemical vapor deposition" *J Applied Physics*, vol. 93 No. 5, 9 pages (2013).

Tomozeiu et al. "Effects of UV photon irradiation on SiO_x (0<x<2) structural properties" *Applied Surface Science* 253, pp. 376-380 (2006).

US PPA 60394086 filed Jul. 3, 2002 in the name of Jacques Schmitt, and entitled "ALD on a Rotary Susceptor" pp. 1-23 (2002).

US PPA 62293897 filed Feb. 11, 2016 in the names of Bernardo Donoso et al., and entitled "Vapor Based Site-Isolated Processing Systems and Methods" pp. 1-51 (2016).

Vallat et al. "Area selective deposition of TiO₂ by intercalation of plasma etching cycles in PEALD process: A bottom up approach for the simplification of 3D integration scheme" *Journal of Vacuum Science & Technology A* 37(2), 12 pages (2019).

Vallat et al. "Selective deposition of Ta₂O₅ by adding plasma etching super-cycles in plasma enhanced atomic layer deposition steps" *Journal of Vacuum Science & Technology A* 35(1), 7 pages (2016).

Venkatesan et al. "A rugged lead-ruthenate pyrochlore membrane catalyst for highly selective oxidation of alcohols" *J. Molecular Catalysis A: Chemical* 250, pp. 87-93 (2006).

Xiao "Introduction to Semiconductor Manufacturing Technology" SPIE Press, ISBN 978-0-08194-9092-6, pp. 237-245 (2012).

Yuan et al. "A Bifunctional Air Electrode Catalyzed by Lead Ruthenate for Li-Air Batteries" *ECS Transactions* 69(19), pp. 23-32 (2015).

Zhao et al. "Surface Chemistry of Thermal Dry Etching of Cobalt Thin Films Using Hexafluoroacetylacetone (hfach)" *Appl Surf Sci.* 455, pp. 438-445 (2018).

Zhao et al. "Thermal and Plasma-Enhanced Atomic Layer Deposition of Yttrium Oxide Films and the Properties of Water Wettability" *Appl. Mater. Interfac.* 12(2), 9 pages (2019).

CNIPA; Office Action dated Jan. 10, 2013 in Application No. 201080015699.9.

CNIPA; Office Action dated Aug. 1, 2013 in Application No. 201080015699.9.

CNIPA; Office Action dated Jan. 21, 2014 in Application No. 201080015699.9.

CNIPA; Office Action dated Jul. 25, 2014 in Application No. 201080015699.9.

CNIPA; Office Action dated Jan. 12, 2015 in Application No. 201080015699.9.

CNIPA; Notice of Allowance dated May 8, 2015 in Application No. 201080015699.9.

CNIPA; Office Action dated Dec. 10, 2013 in Application No. 201080020267.7.

CNIPA; Notice of Allowance dated Aug. 22, 2014 in Application No. 201080020267.7.

CNIPA; Office Action dated Jan. 21, 2013 in Application No. 201080020268.1.

CNIPA; Office Action dated Sep. 26, 2013 in Application No. 201080020268.1.

CNIPA; Office Action dated Apr. 3, 2014 in Application No. 201080020268.1.

CNIPA; Office Action dated Sep. 23, 2014 in Application No. 201080020268.1.

CNIPA; Office Action dated Apr. 7, 2015 in Application No. 201080020268.1.

CNIPA; Notice of Allowance dated Oct. 16, 2015 in Application No. 201080020268.1.

CNIPA; Office Action dated May 24, 2013 in Application No. 201080036764.6.

CNIPA; Office Action dated Jan. 2, 2014 in Application No. 201080036764.6.

CNIPA; Office Action dated Jul. 1, 2014 in Application No. 201080036764.6.

CNIPA; Notice of Allowance dated Oct. 24, 2014 in Application No. 201080036764.6.

CNIPA; Office Action dated Feb. 8, 2014 in Application No. 201110155056.0.

CNIPA; Office Action dated Sep. 16, 2014 in Application No. 201110155056.0.

CNIPA; Office Action dated Feb. 9, 2015 in Application No. 201110155056.0.

CNIPA; Notice of Allowance dated Aug. 26, 2015 in Application No. 201110155056.0.

CNIPA; Office Action dated Dec. 4, 2015 in Application No. 201210201995.9.

CNIPA; Office Action dated Jul. 14, 2016 in Application No. 201210201995.9.

CNIPA; Office Action dated Jan. 20, 2017 in Application No. 201210201995.9.

CNIPA; Notice of Allowance dated Apr. 13, 2017 in Application No. 201210201995.9.

CNIPA; Office Action dated Dec. 24, 2015 in Application No. 201280057466.4.

CNIPA; Notice of Allowance dated Jun. 16, 2016 in Application No. 201280057466.4.

CNIPA; Office Action dated Dec. 4, 2015 in Application No. 201280057542.1.

CNIPA; Office Action dated May 16, 2016 in Application No. 201280057542.1.

CNIPA; Office Action dated Sep. 9, 2016 in Application No. 201280057542.1.

CNIPA; Notice of Allowance dated Jan. 3, 2017 in Application No. 201280057542.1.

CNIPA; Office Action dated Dec. 5, 2016 in Application No. 201310412808.6.

CNIPA; Notice of Allowance dated Jul. 20, 2017 in Application No. 201310412808.6.

CNIPA; Office Action dated Feb. 5, 2018 in Application No. 201410331047.6.

CNIPA; Office Action dated Dec. 14, 2018 in Application No. 201410331047.6.

(56)

References Cited

OTHER PUBLICATIONS

- CNIPA; Notice of Allowance dated Jun. 14, 2019 in Application No. 201410331047.6.
- CNIPA; Office Action dated Jun. 28, 2019 in Application No. 201510765170.3.
- CNIPA; Office Action dated Oct. 19, 2018 in Application No. 201510765170.3.
- CNIPA; Office Action dated Oct. 31, 2018 in Application No. 201510765406.3.
- CNIPA; Office Action dated Jun. 28, 2019 in Application No. 201510765406.3.
- CNIPA; Office Action dated Mar. 14, 2019 in Application No. 201610141027.1.
- CNIPA; Office Action dated Dec. 20, 2018 in Application No. 201710738549.4.
- CNIPA; Office Action dated Jun. 20, 2019 in Application No. 201711120632.1.
- CNIPA; Notice of Allowance dated May 25, 2017 in Application No. 201730010308.9.
- CNIPA; Notice of Allowance dated Oct. 24, 2018 in Application No. 201830060972.9.
- CNIPA; Notice of Allowance dated Nov. 1, 2018 in Application No. 201830397219.9.
- EPO; Supplementary European Search Report and Opinion dated Nov. 9, 2012 in Application No. 08798519.8.
- EPO; Office Action dated Jul. 18, 2016 in Application No. 08798519.8.
- EPO; Extended European Search Report dated Dec. 9, 2016 in Application No. 9767208.3.
- EPO; Office Action dated Aug. 10, 2018 in Application No. 09767208.3.
- EPO; Supplementary European Search Report and Opinion dated Jan. 5, 2017 in Application No. 09836647.9.
- EPO; Office Action dated Feb. 28, 2018 in Application No. 09836647.9.
- EPO; Office Action dated Jan. 11, 2019 in Application No. 09836647.9.
- EPO; Extended European Search Report dated Apr. 28, 2014 in Application No. 11162225.4.
- EPO; Notice of Allowance dated Feb. 3, 2015 in Application No. 11162225.4.
- IPOS; Notice of Allowance dated Aug. 14, 2017 in Application No. 10201401237.
- JPO; Office Action dated Aug. 10, 2009 in Application No. 2003029767.
- JPO; Office Action dated Apr. 13, 2010 in Application No. 2003029767.
- JPO; Notice of Allowance dated Jun. 24, 2010 in Application No. 2003029767.
- JPO; Office Action dated Oct. 30, 2008 in Application No. 2004558313.
- JPO; Office Action dated Feb. 19, 2009 in Application No. 2004558313.
- JPO; Notice of Allowance dated Jun. 30, 2009 in Application No. 2004558313.
- JPO; Office Action dated Mar. 16, 2012 in Application No. 2009-532567.
- JPO; Notice of Allowance dated Jul. 23, 2012 in Application No. 2009-532567.
- JPO; Notice of Allowance dated Mar. 29, 2013 in Application No. 2010-509478.
- JPO; Office Action dated Dec. 20, 2011 in Application No. 2010-522075.
- JPO; Office Action dated Apr. 11, 2012 in Application No. 2010-522075.
- JPO; Office Action dated May 15, 2013 in Application No. 2010058415.
- JPO; Office Action dated Oct. 30, 2013 in Application No. 2010058415.
- JPO; Office Action dated Aug. 7, 2014 in Application No. 2010058415.
- JPO; Notice of Allowance dated Dec. 18, 2014 in Application No. 2010058415.
- JPO; Office Action dated Aug. 22, 2013 in Application No. 2010-153754.
- JPO; Office Action dated Oct. 30, 2013 in Application No. 2010-193285.
- JPO; Office Action dated Aug. 26, 2015 in Application No. 2011-284831.
- JPO; Notice of Allowance dated Mar. 3, 2016 in Application No. 2011-284831.
- JPO; Office Action dated May 31, 2012 in Application No. 2011-514650.
- JPO; Office Action dated Sep. 11, 2012 in Application No. 2011-514650.
- JPO; Notice of Allowance dated Dec. 10, 2012 in Application No. 2011-514650.
- JPO; Office Action dated Dec. 10, 2014 in Application No. 2011090067.
- JPO; Notice of Allowance dated Apr. 28, 2015 in Application No. 2011090067.
- JPO; Office Action dated Jul. 14, 2016 in Application No. 2012-153698.
- JPO; Notice of Allowance dated Oct. 21, 2016 in Application No. 2012-153698.
- JPO; Office Action dated Dec. 20, 2013 in Application No. 2012-504786.
- JPO; Office Action dated Jan. 25, 2014 in Application No. 2012-504786.
- JPO; Office Action dated Dec. 1, 2014 in Application No. 2012-504786.
- JPO; Notice of Allowance dated Jun. 12, 2015 in Application No. 2012504786.
- JPO; Office Action dated Mar. 11, 2013 in Application No. 2012-509857.
- JPO; Notice of Allowance dated Jun. 29, 2013 in Application No. 2012-509857.
- JPO; Office Action dated May 19, 2017 in Application No. 2013-160173.
- JPO; Notice of Allowance dated Aug. 23, 2017 in Application No. 2013-160173.
- JPO; Office Action dated Aug. 14, 2017 in Application No. 2013-178344.
- JPO; Office Action dated Jan. 23, 2018 in Application No. 2013-178344.
- JPO; Notice of Allowance dated Jul. 24, 2018 in Application No. 2013-178344.
- JPO; Office Action dated Apr. 3, 2018 in Application No. 2014-120675.
- JPO; Notice of Allowance dated Jun. 6, 2018 in Application No. 2014-120675.
- JPO; Office Action dated Mar. 28, 2018 in Application No. 2014-188835.
- JPO; Notice of Allowance dated Jun. 6, 2018 in Application No. 2014-188835.
- JPO; Office Action dated Apr. 12, 2018 in Application No. 2014-205548.
- JPO; Notice of Allowance dated Dec. 19, 2019 in Application No. 2014205548.
- JPO; Notice of Allowance dated May 14, 2018 in Application No. 2014-216540.
- JPO; Office Action dated Jul. 20, 2018 in Application No. 2015-034774.
- JPO; Office Action dated Jun. 27, 2019 in Application No. 2015034774.
- JPO; Office Action dated Jan. 30, 2019 in Application No. 2015052198.
- JPO; Notice of Allowance dated Apr. 5, 2019 in Application No. 2015052198.
- KIPO; Office Action dated Dec. 10, 2015 in Application No. 10-2010-0028336.
- KIPO; Office Action dated Jun. 29, 2016 in Application No. 10-2010-0028336.
- KIPO; Notice of Allowance dated Sep. 29, 2016 in Application No. 10-2010-0028336.
- KIPO; Office Action dated Mar. 3, 2016 in Application No. 10-2010-0067768.
- KIPO; Office Action dated Aug. 1, 2016 in Application No. 10-2010-0067768.
- KIPO; Notice of Allowance dated Dec. 1, 2016 in Application No. 10-2010-0067768.
- KIPO; Office Action dated May 2, 2016 in Application No. 10-2010-0082446.

(56)

References Cited

OTHER PUBLICATIONS

- KIPO; Office Action dated Sep. 19, 2016 in Application No. 10-2010-0082446.
- KIPO; Notice of Allowance dated Mar. 7, 2017 in Application No. 10-2010-0082446.
- KIPO; Office Action dated Mar. 13, 2017 in Application No. 20110034612.
- KIPO; Office Action dated Jul. 20, 2017 in Application No. 20110034612.
- KIPO; Notice of Allowance dated Sep. 1, 2017 in Application No. 20110034612.
- KIPO; Office Action dated Nov. 24, 2017 in Application No. 10-2011-0036449.
- KIPO; Office Action dated May 23, 2017 in Application No. 10-2011-0036449.
- KIPO; Office Action dated Apr. 2, 2018 in Application No. 10-2011-0036449.
- KIPO; Notice of Allowance dated Oct. 24, 2018 in Application No. 10-2011-0036449.
- KIPO; Office Action dated Sep. 4, 2017 in Application No. 10-2011-0087600.
- KIPO; Notice of Allowance dated Jan. 11, 2018 in Application No. 10-2011-0087600.
- KIPO; Office Action dated Oct. 23, 2017 in Application No. 10-2011-0142924.
- KIPO; Notice of Allowance dated Mar. 14, 2018 in Application No. 10-2011-0142924.
- KIPO; Office Action dated Dec. 11, 2015 in Application No. 10-2011-7023416.
- KIPO; Office Action dated Mar. 13, 2016 in Application No. 10-2011-7023416.
- KIPO; Notice of Allowance dated Jun. 2, 2016 in Application No. 10-2011-7023416.
- KIPO; Office Action dated Mar. 21, 2018 in Application No. 10-2012-0004520.
- KIPO; Office Action dated Oct. 30, 2017 in Application No. 10-2012-0041878.
- KIPO; Notice of Allowance dated Feb. 28, 2018 in Application No. 10-2012-0041878.
- KIPO; Office Action dated Mar. 21, 2018 in Application No. 10-2012-0042518.
- KIPO; Notice of Allowance dated May 30, 2018 in Application No. 10-2012-0042518.
- KIPO; Office Action dated Mar. 21, 2018 in Application No. 10-2012-0064526.
- KIPO; Office Action dated Sep. 18, 2018 in Application No. 10-2012-0064526.
- KIPO; Office Action dated Dec. 13, 2018 in Application No. 10-2012-0064526.
- KIPO; Office Action dated Jan. 12, 2019 in Application No. 10-2012-0064526.
- KIPO; Office Action dated Mar. 30, 2018 in Application No. 10-2012-0076564.
- KIPO; Office Action dated Sep. 27, 2018 in Application No. 10-2012-0076564.
- KIPO; Office Action dated Mar. 27, 2019 in Application No. 10-2012-0076564.
- KIPO; Office Action dated Apr. 30, 2018 in Application No. 10-2012-0103114.
- KIPO; Notice of Allowance dated Nov. 22, 2018 in Application No. 10-2012-0103114.
- KIPO; Office Action dated Oct. 24, 2016 in Application No. 10-2012-7004062.
- KIPO; Office Action dated Jul. 24, 2017 in Application No. 10-2012-7004062.
- KIPO; Office Action dated Sep. 28, 2017 in Application No. 10-2014-7017112.
- KIPO; Notice of Allowance dated Feb. 23, 2018 in Application No. 10-2014-7017112.
- KIPO; Office Action dated May 30, 2019 in Application No. 10-2012-7004062.
- KIPO; Decision of Intellectual Property Trial and Appeal Board dated May 13, 2019 in Application No. 10-2012-7004062.
- KIPO; Office Action dated Apr. 19, 2019 in Application No. 10-2013-0101944.
- KIPO; Office Action dated Apr. 24, 2019 in Application No. 10-2013-0036823.
- KIPO; Office Action dated May 31, 2019 in Application No. 10-2013-0050740.
- KIPO; Office Action dated Mar. 27, 2019 in Application No. 10-2013-0084459.
- KIPO; Office Action dated Apr. 30, 2019 in Application No. 10-2013-0088450.
- KIPO; Office Action dated May 21, 2019 in Application No. 10-2013-0121554.
- KIPO; Office Action dated Jan. 22, 2019 in Application No. 10-2014-7017110.
- KIPO; Office Action dated Nov. 9, 2016 in Application No. 10-2016-7023913.
- KIPO; Notice of Allowance dated May 30, 2017 in Application No. 10-2016-7023913.
- KIPO; Notice of Allowance dated Feb. 27, 2018 in Application No. 10-2017-0175442.
- KIPO; Office Action dated Sep. 28, 2017 in Application No. 10-2017-7023740.
- KIPO; Notice of Allowance dated Jul. 19, 2018 in Application No. 20187013945.
- KIPO; Office Action dated Sep. 15, 2017 in Application No. 30-2017-0001320.
- KIPO; Notice of Allowance dated Jan. 19, 2018 in Application No. 30-2017-0001320.
- KIPO; Notice of Allowance dated Jul. 10, 2018 in Application No. 30-2017-0052872.
- KIPO; Office Action dated Jul. 11, 2018 in Application No. 30-2018-0006016.
- KIPO; Notice of Allowance dated Oct. 16, 2018 in Application No. 30-2018-0006016.
- KIPO; Office Action dated Jan. 30, 2019 in Application No. 30-2018-0033442.
- KIPO; Notice of Allowance dated Apr. 1, 2019 in Application No. 30-2018-0033442.
- TIPO; Office Action dated Aug. 30, 2013 in Application No. 97132391.
- TIPO; Office Action dated Dec. 20, 2013 in Application No. 98117513.
- TIPO; Notice of Allowance dated Jun. 12, 2014 in Application No. 98117513.
- TIPO; Office Action dated Jul. 4, 2014 in Application No. 99110511.
- TIPO; Notice of Allowance dated Feb. 24, 2016 in Application No. 99110511.
- TIPO; Office Action dated Aug. 27, 2014 in Application No. 99114329.
- TIPO; Notice of Allowance dated Jan. 28, 2015 in Application No. 99114329.
- TIPO; Office Action dated Dec. 26, 2014 in Application No. 99114330.
- TIPO; Notice of Allowance dated Apr. 28, 2015 in Application No. 99114330.
- TIPO; Office Action dated Aug. 14, 2014 in Application No. 99114331.
- TIPO; Notice of Allowance dated Oct. 16, 2015 in Application No. 99114331.
- TIPO; Office Action dated Dec. 19, 2014 in Application No. 99127063.
- TIPO; Notice of Allowance dated Mar. 14, 2016 in Application No. 99127063.
- TIPO; Notice of Allowance dated Oct. 2, 2015 in Application No. 100130472.
- TIPO; Office Action dated Feb. 19, 2016 in Application No. 100113130.
- TIPO; Notice of Allowance dated Jun. 29, 2016 in Application No. 100113130.

(56)

References Cited

OTHER PUBLICATIONS

TIPO; Notice of Allowance dated Nov. 2, 2016 in Application No. 101142581.
TIPO; Office Action dated Apr. 28, 2016 in Application No. 101142582.
TIPO; Notice of Allowance dated Aug. 19, 2016 in Application No. 101142582.
TIPO; Office Action dated Aug. 1, 2016 in Application No. 101124745.
TIPO; Notice of Allowance dated Oct. 19, 2016 in Application No. 101124745.
TIPO; Office Action dated Sep. 19, 2016 in Application No. 102113028.
TIPO; Notice of Allowance dated Feb. 13, 2017 in Application No. 102113028.
TIPO; Office Action dated Aug. 2016 in Application No. 102115605.
TIPO; Office Action dated Feb. 24, 2017 in Application No. 102115605.
TIPO; Notice of Allowance dated Dec. 26, 2017 in Application No. 102115605.
TIPO; Office Action dated Nov. 15, 2016 in Application No. 102125191.
TIPO; Office Action dated Jun. 20, 2017 in Application No. 102125191.
TIPO; Office Action dated Dec. 6, 2016 in Application No. 102126071.
TIPO; Office Action dated May 17, 2018 in Application No. 102126071.
TIPO; Notice of Allowance dated Aug. 24, 2018 in Application No. 102126071.
TIPO; Office Action dated Feb. 10, 2017 in Application No. 102127065.
TIPO; Notice of Allowance dated Jul. 18, 2017 in Application No. 102127065.
TIPO; Office Action dated Nov. 3, 2016 in Application No. 102129262.
TIPO; Notice of Allowance dated Mar. 3, 2017 in Application No. 102129262.
TIPO; Office Action dated Dec. 29, 2016 in Application No. 102129397.
TIPO; Notice of Allowance dated Aug. 29, 2017 in Application No. 102129397.
TIPO; Office Action dated Nov. 3, 2016 in Application No. 102131839.
TIPO; Notice of Allowance dated Jan. 26, 2017 in Application No. 102131839.
TIPO; Office Action dated Dec. 2, 2016 in Application No. 102136496.
TIPO; Office Action dated Jan. 10, 2018 in Application No. 102136496.
TIPO; Office Action dated Nov. 11, 2016 in Application No. 102132952.
TIPO; Notice of Allowance dated Apr. 19, 2017 in Application No. 102132952.
TIPO; Office Action dated Jul. 17, 2017 in Application No. 103101400.
TIPO; Notice of Allowance dated Jan. 24, 2018 in Application No. 103101400.
TIPO; Office Action dated Feb. 23, 2017 in Application No. 103102563.
TIPO; Notice of Allowance dated Nov. 30, 2017 in Application No. 103102563.
TIPO; Office Action dated Mar. 3, 2017 in Application No. 103105251.
TIPO; Notice of Allowance dated Oct. 20, 2017 in Application No. 103105251.
TIPO; Office Action dated Nov. 1, 2017 in Application No. 103106021.
TIPO; Notice of Allowance dated Apr. 10, 2018 in Application No. 103106021.
TIPO; Office Action dated Oct. 31, 2017 in Application No. 103106022.
TIPO; Notice of Allowance dated Apr. 10, 2018 in Application No. 103106022.
TIPO; Office Action dated Jul. 5, 2017 in Application No. 103117477.
TIPO; Notice of Allowance dated Jan. 22, 2018 in Application No. 103117477.
TIPO; Office Action dated Nov. 22, 2017 in Application No. 103117478.

TIPO; Notice of Allowance dated Mar. 13, 2018 in Application No. 103117478.
TIPO; Office Action dated May 19, 2017 in Application No. 103120478.
TIPO; Notice of Allowance dated Sep. 25, 2017 in Application No. 103120478.
TIPO; Office Action dated Sep. 20, 2018 in Application No. 103123439.
TIPO; Office Action dated Nov. 8, 2017 in Application No. 103124509.
TIPO; Notice of Allowance dated Apr. 25, 2018 in Application No. 103124509.
TIPO; Office Action dated Nov. 20, 2017 in Application No. 103127588.
TIPO; Notice of Allowance dated Jun. 19, 2018 in Application No. 103127588.
TIPO; Office Action dated Sep. 19, 2017 in Application No. 103127734.
TIPO; Notice of Allowance dated Dec. 11, 2017 in Application No. 103127734.
TIPO; Office Action dated Sep. 26, 2018 in Application No. 103132230.
TIPO; Notice of Allowance dated Jan. 30, 2019 in Application No. 103132230.
TIPO; Office Action dated Nov. 22, 2017 in Application No. 103134537.
TIPO; Notice of Allowance dated Apr. 19, 2018 in Application No. 103134537.
TIPO; Office Action dated Aug. 24, 2017 in Application No. 103136251.
TIPO; Notice of Allowance dated Oct. 17, 2017 in Application No. 103136251.
TIPO; Office Action dated Feb. 26, 2018 in Application No. 103138510.
TIPO; Notice of Allowance dated Jun. 13, 2018 in Application No. 103138510.
TIPO; Office Action dated May 21, 2018 in Application No. 103139014.
TIPO; Notice of Allowance dated Sep. 11, 2018 in Application No. 103139014.
TIPO; Office Action dated Jun. 22, 2018 in Application No. 104105533.
TIPO; Office Action dated Feb. 22, 2019 in Application No. 104105533.
TIPO; Office Action dated Nov. 19, 2018 in Application No. 104105965.
TIPO; Office Action dated Jul. 9, 2018 in Application No. 104107876.
TIPO; Notice of Allowance dated May 9, 2019 in Application No. 104107876.
TIPO; Office Action dated Aug. 7, 2018 Application No. 104107888.
TIPO; Notice of Allowance dated Apr. 26, 2019 in Application No. 104107888.
TIPO; Office Action dated May 6, 2019 in Application No. 104108277.
TIPO; Office Action dated Jul. 9, 2018 in Application No. 104110326.
TIPO; Notice of Allowance dated May 8, 2019 in Application No. 104110326.
TIPO; Office Action dated Jun. 13, 2018 in Application No. 104111910.
TIPO; Notice of Allowance dated Sep. 18, 2018 in Application No. 104111910.
TIPO; Office Action dated Apr. 29, 2019 in Application No. 104122889.
TIPO; Office Action dated Jan. 30, 2019 in Application No. 104122890.
TIPO; Office Action dated Jul. 11, 2018 in Application No. 104124377.
TIPO; Notice of Allowance dated Jun. 19, 2019 in Application No. 104124377.
TIPO; Office Action dated Jan. 7, 2019 in Application No. 104132991.
TIPO; Notice of Allowance dated Apr. 12, 2019 in Application No. 104132991.
TIPO; Office Action dated Apr. 25, 2019 in Application No. 104141679.
TIPO; Office Action dated Apr. 25, 2019 in Application No. 105101536.
TIPO; Notice of Allowance dated May 7, 2019 in Application No. 105104453.

(56)

References Cited

OTHER PUBLICATIONS

- TIPO; Notice of Allowance dated Dec. 5, 2017 in Application No. 105308015.
- TIPO; Notice of Allowance dated Apr. 11, 2018 in Application No. 105308015D01.
- TIPO; Office Action dated Nov. 6, 2017 in Application No. 106117181.
- TIPO; Notice of Allowance dated Jun. 5, 2018 in Application No. 106117181.
- TIPO; Office Action dated Sep. 28, 2018 in Application No. 106119537.
- TIPO; Office Action dated Dec. 26, 2018 in Application No. 106127690.
- TIPO; Office Action dated Aug. 31, 2018 in Application No. 106138119.
- TIPO; Office Action dated Jun. 25, 2018 in Application No. 106138800.
- TIPO; Office Action dated Jan. 7, 2019 in Application No. 106138800.
- TIPO; Office Action dated Oct. 3, 2018 in Application No. 106142731.
- TIPO; Office Action dated Sep. 28, 2018 in Application No. 107112951.
- TIPO; Office Action dated Nov. 20, 2018 in Application No. 107118271.
- TIPO; Office Action dated Jun. 4, 2019 in Application No. 107123992.
- TIPO; Office Action dated May 28, 2019 in Application No. 107125586.
- TIPO; Notice of Allowance dated Aug. 29, 2018 in Application No. 107300633.
- TIPO; Notice of Allowance dated Feb. 21, 2019 in Application No. 107303723.
- TIPO; Office Action dated May 31, 2019 in Application No. 108102146.
- USPTO; Notice of Allowance dated Jul. 26, 2005 in U.S. Appl. No. 10/033,058.
- USPTO; Non-Final Office Action dated Aug. 25, 2005 in U.S. Appl. No. 10/191,635.
- USPTO; Final Office Action dated Apr. 25, 2006 in U.S. Appl. No. 10/191,635.
- USPTO; Non-Final Office Action dated Nov. 20, 2006 in U.S. Appl. No. 10/191,635.
- USPTO; Notice of Allowance dated May 21, 2007 in U.S. Appl. No. 10/191,635.
- USPTO; Notice of Allowance dated Feb. 20, 2008 in U.S. Appl. No. 10/191,635.
- USPTO; Non-Final Office Action dated Oct. 22, 2003 in U.S. Appl. No. 10/222,229.
- USPTO; Final Office Action dated Mar. 22, 2004 in U.S. Appl. No. 10/222,229.
- USPTO; Advisory Action dated Oct. 7, 2004 in U.S. Appl. No. 10/222,229.
- USPTO; Non-Final Office Action dated Dec. 22, 2004 in U.S. Appl. No. 10/222,229.
- USPTO; Final Office Action dated Jun. 20, 2005 in U.S. Appl. No. 10/222,229.
- USPTO; Advisory Action dated Nov. 16, 2005 in U.S. Appl. No. 10/222,229.
- USPTO; Notice of Allowance dated Mar. 8, 2006 in U.S. Appl. No. 10/222,229.
- USPTO; Non-Final Office Action dated Jan. 26, 2005 in U.S. Appl. No. 10/838,510.
- USPTO; Notice of Allowance dated Jul. 12, 2005 in U.S. Appl. No. 10/838,510.
- USPTO; Office Action dated Feb. 15, 2011 in U.S. Appl. No. 12/118,596.
- USPTO; Notice of Allowance dated Aug. 4, 2011 in U.S. Appl. No. 12/118,596.
- USPTO; Non-Final Office Action dated Apr. 28, 2010 in U.S. Appl. No. 12/121,085.
- USPTO; Notice of Allowance dated Jul. 26, 2010 in U.S. Appl. No. 12/121,085.
- USPTO; Notice of Allowance dated Oct. 4, 2010 in U.S. Appl. No. 12/121,085.
- USPTO; Non-Final Office Action dated Sep. 13, 2010 in U.S. Appl. No. 12/140,809.
- USPTO; Final Office Action dated Dec. 28, 2010 in U.S. Appl. No. 12/140,809.
- USPTO; Notice of Allowance dated Mar. 17, 2011 in U.S. Appl. No. 12/140,809.
- USPTO; Non-Final Office Action dated Mar. 15, 2011 in U.S. Appl. No. 12/193,924.
- USPTO; Foma; Office Action dated Sep. 30, 2011 in U.S. Appl. No. 12/193,924.
- USPTO; Non-Final Office Action dated Oct. 24, 2012 in U.S. Appl. No. 12/193,924.
- USPTO; Final Office Action dated Apr. 17, 2013 in U.S. Appl. No. 12/193,924.
- USPTO; Advisory Action dated Jul. 9, 2013 in U.S. Appl. No. 12/193,924.
- USPTO; Non-Final Office Action dated Jul. 28, 2011 in U.S. Appl. No. 12/330,096.
- USPTO; Final Office Action dated Jan. 13, 2012 in U.S. Appl. No. 12/330,096.
- USPTO; Notice of Allowance dated Mar. 6, 2012 in U.S. Appl. No. 12/330,096.
- USPTO; Non-Final Office Action dated Mar. 20, 2012 in U.S. Appl. No. 12/330,096.
- USPTO; Notice of Allowance dated Jun. 7, 2012 in U.S. Appl. No. 12/330,096.
- USPTO; Non-Final Office Action dated Apr. 1, 2010 in U.S. Appl. No. 12/357,174.
- USPTO; Final Office Action dated Sep. 1, 2010 in U.S. Appl. No. 12/357,174.
- USPTO; Notice of Allowance dated Dec. 13, 2010 in U.S. Appl. No. 12/357,174.
- USPTO; Non-Final Office Action dated Dec. 29, 2010 in U.S. Appl. No. 12/362,023.
- USPTO; Non-Final Office Action dated Jul. 26, 2011 in U.S. Appl. No. 12/416,809.
- USPTO; Final Office Action dated Dec. 6, 2011 in U.S. Appl. No. 12/416,809.
- USPTO; Notice of Allowance dated Apr. 2, 2012 in U.S. Appl. No. 12/416,809.
- USPTO; Advisory Action dated Feb. 3, 2012 in U.S. Appl. No. 12/416,809.
- USPTO; Notice of Allowance dated Jun. 16, 2011 in U.S. Appl. No. 12/430,751.
- USPTO; Notice of Allowance dated Jul. 27, 2011 in U.S. Appl. No. 12/430,751.
- USPTO; Non-Final Office Action dated Aug. 3, 2011 in U.S. Appl. No. 12/436,300.
- USPTO; Final Office Action dated Jan. 23, 2012 in U.S. Appl. No. 12/436,300.
- USPTO; Advisory Action dated Mar. 6, 2012 in U.S. Appl. No. 12/436,300.
- USPTO; Non-Final Office Action dated May 22, 2012 in U.S. Appl. No. 12/436,300.
- USPTO; Notice of Allowance dated Nov. 28, 2012 in U.S. Appl. No. 12/436,300.
- USPTO; Non-Final Office Action dated Apr. 11, 2012 in U.S. Appl. No. 12/436,306.
- USPTO; Final Office Action dated Sep. 26, 2012 in U.S. Appl. No. 12/436,306.
- USPTO; Non-Final Office Action dated May 31, 2013 in U.S. Appl. No. 12/436,306.
- USPTO; Final Office Action dated Oct. 17, 2013 in U.S. Appl. No. 12/436,306.
- USPTO; Non-Final Office Action dated Feb. 4, 2014 in U.S. Appl. No. 12/436,306.
- USPTO; Final Office Action dated Jun. 23, 2014 in U.S. Appl. No. 12/436,306.
- USPTO; Advisory Action dated Oct. 1, 2014 in U.S. Appl. No. 12/436,306.
- USPTO; Non-Final Office Action dated Feb. 3, 2015 in U.S. Appl. No. 12/436,306.

(56)

References Cited

OTHER PUBLICATIONS

- USPTO; Final Office Action dated May 13, 2015 in U.S. Appl. No. 12/436,306.
- USPTO; Non-Final Office Action dated Oct. 14, 2015 in U.S. Appl. No. 12/436,306.
- USPTO; Final Office Action dated Dec. 31, 2015 in U.S. Appl. No. 12/436,306.
- USPTO; Notice of Allowance dated Feb. 3, 2016 in U.S. Appl. No. 12/436,306.
- USPTO; Non-Final Office Action dated Aug. 3, 2011 in U.S. Appl. No. 12/436,315.
- USPTO; Notice of Allowance dated Nov. 17, 2011 in U.S. Appl. No. 12/436,315.
- USPTO; Notice of Allowance dated Oct. 1, 2010 in U.S. Appl. No. 12/467,017.
- USPTO; Non-Final Office Action dated Mar. 18, 2010 in U.S. Appl. No. 12/489,252.
- USPTO; Notice of Allowance dated Sep. 2, 2010 in U.S. Appl. No. 12/489,252.
- USPTO; Non-Final Office Action dated Dec. 15, 2010 in U.S. Appl. No. 12/553,759.
- USPTO; Final Office Action dated May 4, 2011 in U.S. Appl. No. 12/553,759.
- USPTO; Advisory Action dated Jul. 13, 2011 in U.S. Appl. No. 12/553,759.
- USPTO; Non-Final Office Action dated Sep. 6, 2011 in U.S. Appl. No. 12/553,759.
- USPTO; Notice of Allowance dated Jan. 27, 2012 in U.S. Appl. No. 12/553,759.
- USPTO; Non-Final Office Action dated Oct. 19, 2012 in U.S. Appl. No. 12/618,355.
- USPTO; Final Office Action dated May 8, 2013 in U.S. Appl. No. 12/618,355.
- USPTO; Advisory Action dated Jul. 23, 2013 in U.S. Appl. No. 12/618,355.
- USPTO; Non-Final Office Action dated Apr. 8, 2015 in U.S. Appl. No. 12/618,355.
- USPTO; Final Office Action dated Oct. 22, 2015 in U.S. Appl. No. 12/618,355.
- USPTO; Advisory Action dated Mar. 4, 2016 in U.S. Appl. No. 12/618,355.
- USPTO; Non-Final Office Action dated Jun. 30, 2016 in U.S. Appl. No. 12/618,355.
- USPTO; Final Office Action dated Feb. 10, 2017 in U.S. Appl. No. 12/618,355.
- USPTO; Advisory Action dated May 16, 2017 in U.S. Appl. No. 12/618,355.
- USPTO; Non-Final Office Action dated Nov. 29, 2017 in U.S. Appl. No. 12/618,355.
- USPTO; Final Office Action dated Aug. 10, 2018 in U.S. Appl. No. 12/618,355.
- USPTO; Notice of Allowance dated Apr. 4, 2019 in U.S. Appl. No. 12/618,355.
- USPTO; Non-Final Office Action dated Feb. 16, 2012 in U.S. Appl. No. 12/618,419.
- USPTO; Final Office Action dated Jun. 22, 2012 in U.S. Appl. No. 12/618,419.
- USPTO; Non-Final Office Action dated Nov. 27, 2012 in U.S. Appl. No. 12/618,419.
- USPTO; Advisory Action dated Aug. 9, 2012 in U.S. Appl. No. 12/618,419.
- USPTO; Notice of Allowance dated Apr. 12, 2013 in U.S. Appl. No. 12/618,419.
- USPTO; Non-Final Office Action dated Jun. 12, 2013 in U.S. Appl. No. 12/618,419.
- USPTO; Notice of Allowance dated Oct. 9, 2013 in U.S. Appl. No. 12/618,419.
- USPTO; Non-Final Office Action dated Dec. 6, 2011 in U.S. Appl. No. 12/718,731.
- USPTO; Notice of Allowance dated Mar. 16, 2012 in U.S. Appl. No. 12/718,731.
- USPTO; Office Action dated Feb. 26, 2013 in U.S. Appl. No. 12/754,223.
- USPTO; Final Office Action dated Jun. 28, 2013 in U.S. Appl. No. 12/754,223.
- USPTO; Office Action dated Feb. 25, 2014 in U.S. Appl. No. 12/754,223.
- USPTO; Final Office Action dated Jul. 14, 2014 in U.S. Appl. No. 12/754,223.
- USPTO; Non-Final Office Action dated Mar. 25, 2015 in U.S. Appl. No. 12/754,223.
- USPTO; Final Office Action dated Aug. 12, 2015 in U.S. Appl. No. 12/754,223.
- USPTO; Notice of Allowance dated May 23, 2016 in U.S. Appl. No. 12/754,223.
- USPTO; Office Action dated Apr. 23, 2013 in U.S. Appl. No. 12/763,037.
- USPTO; Final Office Action dated Oct. 21, 2013 in U.S. Appl. No. 12/763,037.
- USPTO; Office Action dated Oct. 8, 2014 in U.S. Appl. No. 12/763,037.
- USPTO; Notice of Allowance dated Jan. 27, 2015 in U.S. Appl. No. 12/763,037.
- USPTO; Non-Final Office Action dated Jan. 24, 2011 in U.S. Appl. No. 12/778,808.
- USPTO; Notice of Allowance dated May 9, 2011 in U.S. Appl. No. 12/778,808.
- USPTO; Notice of Allowance dated Oct. 12, 2012 in U.S. Appl. No. 12/832,739.
- USPTO; Non-Final Office Action dated Oct. 16, 2012 in U.S. Appl. No. 12/847,848.
- USPTO; Final Office Action dated Apr. 22, 2013 in U.S. Appl. No. 12/847,848.
- USPTO; Advisory Action dated Jul. 1, 2013 in U.S. Appl. No. 12/847,848.
- USPTO; Notice of Allowance dated Jan. 16, 2014 in U.S. Appl. No. 12/847,848.
- USPTO; Office Action dated Dec. 6, 2012 in U.S. Appl. No. 12/854,818.
- USPTO; Final Office Action dated Mar. 13, 2013 in U.S. Appl. No. 12/854,818.
- USPTO; Office Action dated Aug. 30, 2013 in U.S. Appl. No. 12/854,818.
- USPTO; Final Office Action dated Mar. 26, 2014 in U.S. Appl. No. 12/854,818.
- USPTO; Office Action dated Jun. 3, 2014 in U.S. Appl. No. 12/854,818.
- USPTO; Non-Final Office Action dated Jul. 11, 2012 in U.S. Appl. No. 12/875,889.
- USPTO; Notice of Allowance dated Jan. 4, 2013 in U.S. Appl. No. 12/875,889.
- USPTO; Notice of Allowance dated Jan. 9, 2012 in U.S. Appl. No. 12/901,323.
- USPTO; Non-Final Office Action dated Nov. 20, 2013 in U.S. Appl. No. 12/910,607.
- USPTO; Final Office Action dated Apr. 28, 2014 in U.S. Appl. No. 12/910,607.
- USPTO; Advisory Action dated Jul. 9, 2014 in U.S. Appl. No. 12/910,607.
- USPTO; Notice of Allowance dated Aug. 15, 2014 in U.S. Appl. No. 12/910,607.
- USPTO; Non-Final Office Action dated Oct. 24, 2012 in U.S. Appl. No. 12/940,906.
- USPTO; Final Office Action dated Feb. 13, 2013 in U.S. Appl. No. 12/940,906.
- USPTO; Notice of Allowance dated Apr. 23, 2013 in U.S. Appl. No. 12/940,906.
- USPTO; Non-Final Office Action dated Dec. 7, 2012 in U.S. Appl. No. 12/953,870.
- USPTO; Final Office Action dated Apr. 22, 2013 in U.S. Appl. No. 12/953,870.

(56)

References Cited

OTHER PUBLICATIONS

- USPTO; Advisory Action dated Jul. 8, 2013 in U.S. Appl. No. 12/953,870.
- USPTO; Non-Final Office Action dated Aug. 28, 2013 in U.S. Appl. No. 12/953,870.
- USPTO; Final Office Action dated Apr. 17, 2014 in U.S. Appl. No. 12/953,870.
- USPTO; Non-Final Office Action dated Sep. 19, 2012 in U.S. Appl. No. 13/016,735.
- USPTO; Final Office Action dated Feb. 11, 2013 in U.S. Appl. No. 13/016,735.
- USPTO; Notice of Allowance dated Apr. 24, 2013 in U.S. Appl. No. 13/016,735.
- USPTO; Non-Final Office Action dated Apr. 4, 2012 in U.S. Appl. No. 13/030,438.
- USPTO; Final Office Action dated Aug. 22, 2012 in U.S. Appl. No. 13/030,438.
- USPTO; Notice of Allowance dated Oct. 24, 2012 in U.S. Appl. No. 13/030,438.
- USPTO; Non-Final Office Action dated Dec. 3, 2012 in U.S. Appl. No. 13/040,013.
- USPTO; Notice of Allowance dated May 3, 2013 in U.S. Appl. No. 13/040,013.
- USPTO; Non-Final Office Action dated Feb. 15, 2012 in U.S. Appl. No. 13/085,531.
- USPTO; Notice of Allowance dated Jul. 12, 2012 in U.S. Appl. No. 13/085,531.
- USPTO; Notice of Allowance dated Sep. 13, 2012 in U.S. Appl. No. 13/085,698.
- USPTO; Non-Final Office Action dated Mar. 29, 2013 in U.S. Appl. No. 13/094,402.
- USPTO; Final Office Action dated Jul. 17, 2013 in U.S. Appl. No. 13/094,402.
- USPTO; Notice of Allowance dated Sep. 30, 2013 in U.S. Appl. No. 13/094,402.
- USPTO; Office Action dated Oct. 7, 2013 in U.S. Appl. No. 13/102,980.
- USPTO; Final Office Action dated Mar. 25, 2014 in U.S. Appl. No. 13/102,980.
- USPTO; Advisory Action dated Jun. 12, 2014 in U.S. Appl. No. 13/102,980.
- USPTO; Notice of Allowance dated Jul. 3, 2014 in U.S. Appl. No. 13/102,980.
- USPTO; Notice of Allowance dated Sep. 17, 2014 in U.S. Appl. No. 13/102,980.
- USPTO; Non-Final Office Action dated Jul. 17, 2014 in U.S. Appl. No. 13/154,271.
- USPTO; Final Office Action dated Jan. 2, 2015 in U.S. Appl. No. 13/154,271.
- USPTO; Non-Final Office Action dated May 27, 2015 in U.S. Appl. No. 13/154,271.
- USPTO; Final Office Action dated Nov. 23, 2015 in U.S. Appl. No. 13/154,271.
- USPTO; Notice of Allowance dated Feb. 10, 2016 in U.S. Appl. No. 13/154,271.
- USPTO; Non-Final Office Action dated Jun. 27, 2016 in U.S. Appl. No. 13/166,367.
- USPTO; Final Office Action dated Dec. 30, 2016 in U.S. Appl. No. 13/166,367.
- USPTO; Advisory Action dated Apr. 21, 2017 in U.S. Appl. No. 13/166,367.
- USPTO; Notice of Allowance dated Jun. 28, 2017 in U.S. Appl. No. 13/166,367.
- USPTO; Non-Final Office Action dated Oct. 27, 2014 in U.S. Appl. No. 13/169,951.
- USPTO; Final Office Action dated May 26, 2015 in U.S. Appl. No. 13/169,951.
- USPTO; Non-Final Office Action dated Sep. 1, 2015 in U.S. Appl. No. 13/169,951.
- USPTO; Final Office Action dated Mar. 3, 2016 in U.S. Appl. No. 13/169,951.
- USPTO; Non-Final Office Action dated Jun. 9, 2016 in U.S. Appl. No. 13/169,951.
- USPTO; Final Office Action dated Dec. 9, 2016 in U.S. Appl. No. 13/169,951.
- USPTO; Advisory Action dated May 13, 2016 in U.S. Appl. No. 13/169,951.
- USPTO; Advisory Action dated Feb. 15, 2017 in U.S. Appl. No. 13/169,951.
- USPTO; Non-Final Office Action dated Apr. 26, 2017 in U.S. Appl. No. 13/169,951.
- USPTO; Final Office Action dated Nov. 2, 2017 in U.S. Appl. No. 13/169,951.
- USPTO; Advisory Action dated Feb. 8, 2018 in U.S. Appl. No. 13/169,951.
- USPTO; Non-Final Office Action dated Apr. 6, 2018 in U.S. Appl. No. 13/169,951.
- USPTO; Final Office Action dated Nov. 2, 2018 in U.S. Appl. No. 13/169,951.
- USPTO; Advisory Action dated Feb. 4, 2019 in U.S. Appl. No. 13/169,951.
- USPTO; Notice of Allowance dated Apr. 4, 2019 in U.S. Appl. No. 13/169,951.
- USPTO; Non-Final Office Action dated Jun. 24, 2014 in U.S. Appl. No. 13/181,407.
- USPTO; Final Office Action dated Sep. 24, 2014 in U.S. Appl. No. 13/181,407.
- USPTO; Advisory Action dated Dec. 17, 2014 in U.S. Appl. No. 13/181,407.
- USPTO; Non-Final Office Action dated Jan. 2, 2015 in U.S. Appl. No. 13/181,407.
- USPTO; Final Office Action dated Apr. 8, 2015 in U.S. Appl. No. 13/181,407.
- USPTO; Non-Final Office Action dated Jan. 23, 2013 in U.S. Appl. No. 13/184,351.
- USPTO; Final Office Action dated Jul. 29, 2013 in U.S. Appl. No. 13/184,351.
- USPTO; Advisory Action dated Nov. 7, 2013 in U.S. Appl. No. 13/184,351.
- USPTO; Non-Final Office Action dated Jul. 16, 2014 in U.S. Appl. No. 13/184,351.
- USPTO; Final Office Action dated Feb. 17, 2015 in U.S. Appl. No. 13/184,351.
- USPTO; Advisory Action dated May 18, 2015 in U.S. Appl. No. 13/184,351.
- USPTO; Non-Final Office Action dated Aug. 10, 2015 in U.S. Appl. No. 13/184,351.
- USPTO; Final Office Action dated Feb. 12, 2016 in U.S. Appl. No. 13/184,351.
- USPTO; Non-Final Office Action dated Dec. 15, 2016 in U.S. Appl. No. 13/184,351.
- USPTO; Final Office Action dated Jun. 15, 2017 in U.S. Appl. No. 13/184,351.
- USPTO; Advisory Action dated Oct. 4, 2017 in U.S. Appl. No. 13/184,351.
- USPTO; Non-Final Office Action dated Jul. 26, 2018 in U.S. Appl. No. 13/184,351.
- USPTO; Final Office Action dated Dec. 28, 2018 in U.S. Appl. No. 13/184,351.
- USPTO; Non-Final Office Action dated Sep. 17, 2014 in U.S. Appl. No. 13/187,300.
- USPTO; Final Office Action dated Apr. 15, 2015 in U.S. Appl. No. 13/187,300.
- USPTO; Non-Final Office Action dated Apr. 7, 2016 in U.S. Appl. No. 13/187,300.
- USPTO; Final Office Action dated Sep. 23, 2016 in U.S. Appl. No. 13/187,300.
- USPTO; Non-Final Office Action dated Jan. 30, 2017 in U.S. Appl. No. 13/187,300.
- USPTO; Final Office Action dated Aug. 9, 2017 in U.S. Appl. No. 13/187,300.

(56)

References Cited

OTHER PUBLICATIONS

- USPTO; Non-Final Office Action dated Oct. 1, 2012 in U.S. Appl. No. 13/191,762.
- USPTO; Final Office Action dated Apr. 10, 2013 in U.S. Appl. No. 13/191,762.
- USPTO; Notice of Allowance dated Aug. 15, 2013 in U.S. Appl. No. 13/191,762.
- USPTO; Non-Final Office Action dated Oct. 22, 2012 in U.S. Appl. No. 13/238,960.
- USPTO; Final Office Action dated May 3, 2013 in U.S. Appl. No. 13/238,960.
- USPTO; Non-Final Office Action dated Apr. 26, 2013 in U.S. Appl. No. 13/250,721.
- USPTO; Notice of Allowance dated Sep. 11, 2013 in U.S. Appl. No. 13/250,721.
- USPTO; Non-Final Office Action dated Jul. 2, 2014 in U.S. Appl. No. 13/283,408.
- USPTO; Final Office Action dated Jan. 29, 2015 in U.S. Appl. No. 13/283,408.
- USPTO; Non-Final Office Action dated Jun. 17, 2015 in U.S. Appl. No. 13/283,408.
- USPTO; Final Office Action dated Dec. 18, 2015 in U.S. Appl. No. 13/283,408.
- USPTO; Advisory Action dated Mar. 28, 2016 in U.S. Appl. No. 13/283,408.
- USPTO; Notice of Allowance dated Mar. 28, 2016 in U.S. Appl. No. 13/283,408.
- USPTO; Office Action dated Jul. 30, 2014 in U.S. Appl. No. 13/284,642.
- USPTO; Notice of Allowance dated Feb. 11, 2015 in U.S. Appl. No. 13/284,642.
- USPTO; Office Action dated Jan. 28, 2014 in U.S. Appl. No. 13/312,591.
- USPTO; Final Office Action dated May 14, 2014 in U.S. Appl. No. 13/312,591.
- USPTO; Advisory Action dated Aug. 26, 2014 in U.S. Appl. No. 13/312,591.
- USPTO; Non-Final Office Action dated Nov. 26, 2014 in U.S. Appl. No. 13/312,591.
- USPTO; Final Office Action dated Mar. 20, 2015 in U.S. Appl. No. 13/312,591.
- USPTO; Notice of Allowance dated May 14, 2015 in U.S. Appl. No. 13/312,591.
- USPTO; Notice of Allowance dated Jun. 11, 2015 in U.S. Appl. No. 13/312,591.
- USPTO; Non-Final Office Action dated Apr. 9, 2014 in U.S. Appl. No. 13/333,420.
- USPTO; Notice of Allowance dated Sep. 15, 2014 in U.S. Appl. No. 13/333,420.
- USPTO; Office Action dated Feb. 11, 2013 in U.S. Appl. No. 13/339,609.
- USPTO; Final Office Action dated May 17, 2013 in U.S. Appl. No. 13/339,609.
- USPTO; Office Action dated Aug. 29, 2013 in U.S. Appl. No. 13/339,609.
- USPTO; Final Office Action dated Dec. 18, 2013 in U.S. Appl. No. 13/339,609.
- USPTO; Notice of Allowance dated Apr. 7, 2014 in U.S. Appl. No. 13/339,609.
- USPTO; Non-Final Office Action dated Oct. 10, 2012 in U.S. Appl. No. 13/406,791.
- USPTO; Final Office Action dated Jan. 31, 2013 in U.S. Appl. No. 13/406,791.
- USPTO; Advisory Action dated Mar. 27, 2013 in U.S. Appl. No. 13/406,791.
- USPTO; Non-Final Office Action dated Apr. 25, 2013 in U.S. Appl. No. 13/406,791.
- USPTO; Final Office Action dated Aug. 23, 2013 in U.S. Appl. No. 13/406,791.
- USPTO; Advisory Action dated Oct. 29, 2013 in U.S. Appl. No. 13/406,791.
- USPTO; Non-Final Office Action dated Dec. 4, 2013 in U.S. Appl. No. 13/406,791.
- USPTO; Final Office Action dated Apr. 21, 2014 in U.S. Appl. No. 13/406,791.
- USPTO; Non-Final Office Action dated Jan. 14, 2013 in U.S. Appl. No. 13/410,970.
- USPTO; Notice of Allowance dated Feb. 14, 2013 in U.S. Appl. No. 13/410,970.
- USPTO; Non-Final Office Action dated Feb. 13, 2014 in U.S. Appl. No. 13/411,271.
- USPTO; Non-Final Office Action dated Jul. 31, 2014 in Application No. 13/411,271.
- USPTO; Advisory Action dated Apr. 22, 2015 in U.S. Appl. No. 13/411,271.
- USPTO; Final Office Action dated Jan. 16, 2015 in U.S. Appl. No. 13/411,271.
- USPTO; Notice of Allowance dated Oct. 6, 2015 in U.S. Appl. No. 13/411,271.
- USPTO; Office Action dated Feb. 4, 2014 in U.S. Appl. No. 13/439,528.
- USPTO; Final Office Action dated Jul. 8, 2014 in U.S. Appl. No. 13/439,528.
- USPTO; Notice of Allowance dated Oct. 21, 2014 in U.S. Appl. No. 13/439,528.
- USPTO; Non-Final Office Action dated Apr. 11, 2013 in U.S. Appl. No. 13/450,368.
- USPTO; Notice of Allowance dated Jul. 17, 2013 in U.S. Appl. No. 13/450,368.
- USPTO; Office Action dated May 23, 2013 in U.S. Appl. No. 13/465,340.
- USPTO; Final Office Action dated Oct. 30, 2013 in U.S. Appl. No. 13/465,340.
- USPTO; Notice of Allowance dated Feb. 12, 2014 in U.S. Appl. No. 13/465,340.
- USPTO; Non-Final Office Action dated Oct. 17, 2013 in U.S. Appl. No. 13/493,897.
- USPTO; Notice of Allowance dated Mar. 20, 2014 in U.S. Appl. No. 13/493,897.
- USPTO; Office Action dated Dec. 20, 2013 in U.S. Appl. No. 13/535,214.
- USPTO; Final Office Action dated Jun. 18, 2014 in U.S. Appl. No. 13/535,214.
- USPTO; Notice of Allowance dated Oct. 23, 2014 in U.S. Appl. No. 13/535,214.
- USPTO; Non-Final Office Action dated Sep. 11, 2013 in U.S. Appl. No. 13/550,419.
- USPTO; Final Office Action dated Jan. 27, 2014 in U.S. Appl. No. 13/550,419.
- USPTO; Advisory Action dated Mar. 31, 2014 in U.S. Appl. No. 13/550,419.
- USPTO; Notice of Allowance dated May 29, 2014 in U.S. Appl. No. 13/550,419.
- USPTO; Non-Final Office Action dated Aug. 8, 2014 in U.S. Appl. No. 13/563,066.
- USPTO; Final Office Action dated Feb. 12, 2015 in U.S. Appl. No. 13/563,066.
- USPTO; Advisory Action dated Apr. 16, 2015 in U.S. Appl. No. 13/563,066.
- USPTO; Notice of Allowance dated Jun. 12, 2015 in U.S. Appl. No. 13/563,066.
- USPTO; Notice of Allowance dated Jul. 16, 2015 in U.S. Appl. No. 13/563,066.
- USPTO; Non-Final Office Action dated May 28, 2013 in U.S. Appl. No. 13/563,274.
- USPTO; Notice of Allowance dated Sep. 27, 2013 in U.S. Appl. No. 13/563,274.
- USPTO; Non-Final Office Action dated Nov. 7, 2013 in U.S. Appl. No. 13/565,564.
- USPTO; Final Office Action dated Feb. 28, 2014 in U.S. Appl. No. 13/565,564.

(56)

References Cited

OTHER PUBLICATIONS

- USPTO; Advisory Action dated May 5, 2014 in U.S. Appl. No. 13/565,564.
- USPTO; Non-Final Office Action dated Jul. 2, 2014 in U.S. Appl. No. 13/565,564.
- USPTO; Notice of Allowance dated Nov. 3, 2014 in U.S. Appl. No. 13/565,564.
- USPTO; Notice of Allowance dated Sep. 13, 2013 in U.S. Appl. No. 13/566,069.
- USPTO; Non-Final Office Action dated Aug. 30, 2013 in U.S. Appl. No. 13/570,067.
- USPTO; Notice of Allowance dated Jan. 6, 2014 in U.S. Appl. No. 13/570,067.
- USPTO; Non-Final Office Action dated Oct. 15, 2014 in U.S. Appl. No. 13/597,043.
- USPTO; Final Office Action dated Mar. 13, 2015 in U.S. Appl. No. 13/597,043.
- USPTO; Notice of Allowance dated Aug. 28, 2015 in U.S. Appl. No. 13/597,043.
- USPTO; Non-Final Office Action dated Feb. 12, 2015 in U.S. Appl. No. 13/597,108.
- USPTO; Final Office Action dated Jun. 1, 2015 in U.S. Appl. No. 13/597,108.
- USPTO; Advisory Action dated Sep. 2, 2015 in U.S. Appl. No. 13/597,108.
- USPTO; Non-Final Office Action dated Dec. 8, 2015 in U.S. Appl. No. 13/597,108.
- USPTO; Final Office Action dated Jun. 2, 2016 in U.S. Appl. No. 13/597,108.
- USPTO; Non-Final Office Action dated Sep. 15, 2016 in U.S. Appl. No. 13/597,108.
- USPTO; Notice of Allowance dated Mar. 7, 2017 in U.S. Appl. No. 13/597,108.
- USPTO; Notice of Allowance dated Mar. 27, 2014 in U.S. Appl. No. 13/604,498.
- USPTO; Office Action dated Nov. 15, 2013 in U.S. Appl. No. 13/612,538.
- USPTO; Office Action dated Jul. 10, 2014 in U.S. Appl. No. 13/612,538.
- USPTO; Notice of Allowance dated Feb. 25, 2015 in U.S. Appl. No. 13/612,538.
- USPTO; Non-Final Office Action dated Apr. 15, 2015 in U.S. Appl. No. 13/646,403.
- USPTO; Final Office Action dated Oct. 15, 2015 in U.S. Appl. No. 13/646,403.
- USPTO; Notice of Allowance dated Feb. 2, 2016 in U.S. Appl. No. 13/646,403.
- USPTO; Non-Final Office Action dated May 15, 2014 in U.S. Appl. No. 13/646,471.
- USPTO; Final Office Action dated Aug. 18, 2014 in U.S. Appl. No. 13/646,471.
- USPTO; Advisory Action dated Nov. 14, 2014 in U.S. Appl. No. 13/646,471.
- USPTO; Non-Final Office Action dated Dec. 16, 2014 in U.S. Appl. No. 13/646,471.
- USPTO; Final Office Action dated Apr. 21, 2015 in U.S. Appl. No. 13/646,471.
- USPTO; Non-Final Office Action dated Aug. 19, 2015 in U.S. Appl. No. 13/646,471.
- USPTO; Final Office Action dated Jan. 22, 2016 in U.S. Appl. No. 13/646,471.
- USPTO; Advisory Action dated Apr. 15, 2016 in U.S. Appl. No. 13/646,471.
- USPTO; Non-Final Office Action dated Jun. 2, 2016 in U.S. Appl. No. 13/646,471.
- USPTO; Final Office Action dated Oct. 20, 2016 in U.S. Appl. No. 13/646,471.
- USPTO; Non-Final Office Action dated May 28, 2015 in U.S. Appl. No. 13/651,144.
- USPTO; Final Office Action dated Dec. 14, 2017 in U.S. Appl. No. 13/651,144.
- USPTO; Final Office Action dated Nov. 19, 2015 in U.S. Appl. No. 13/651,144.
- USPTO; Non-Final Office Action dated May 10, 2016 in U.S. Appl. No. 13/651,144.
- USPTO; Final Office Action dated Sep. 20, 2016 in U.S. Appl. No. 13/651,144.
- USPTO; Non-Final Office Action dated May 17, 2017 in U.S. Appl. No. 13/651,144.
- USPTO; Non-Final Office Action dated Dec. 14, 2017 in U.S. Appl. No. 13/651,144.
- USPTO; Advisory Action dated Apr. 19, 2018 in U.S. Appl. No. 13/651,144.
- USPTO; Non-Final Office Action dated Sep. 20, 2018 in U.S. Appl. No. 13/651,144.
- USPTO; Final Office Action dated Mar. 15, 2019 in U.S. Appl. No. 13/651,144.
- USPTO; Non-Final Office Action dated Nov. 19, 2015 in U.S. Appl. No. 14/659,437.
- USPTO; Final Office Action dated Mar. 17, 2016 in U.S. Appl. No. 14/659,437.
- USPTO; Notice of Allowance dated May 31, 2016 in U.S. Appl. No. 14/659,437.
- USPTO; Non-Final Office Action dated Jun. 18, 2015 in U.S. Appl. No. 13/665,366.
- USPTO; Final Office Action dated Mar. 1, 2016 in U.S. Appl. No. 13/665,366.
- USPTO; Advisory Action dated May 13, 2016 in U.S. Appl. No. 13/665,366.
- USPTO; Non-Final Office Action dated Jun. 17, 2016 in U.S. Appl. No. 13/665,366.
- USPTO; Final Office Action dated May 3, 2017 in U.S. Appl. No. 13/665,366.
- USPTO; Non-Final Office Action dated Apr. 3, 2015 in U.S. Appl. No. 13/677,133.
- USPTO; Notice of Allowance dated Aug. 4, 2015 in U.S. Appl. No. 13/677,133.
- USPTO; Notice of Allowance dated Aug. 24, 2015 in U.S. Appl. No. 13/677,133.
- USPTO; Office Action dated Jun. 2, 2014 in U.S. Appl. No. 13/677,151.
- USPTO; Final Office Action dated Nov. 14, 2014 in U.S. Appl. No. 13/677,151.
- USPTO; Notice of Allowance dated Feb. 26, 2015 in U.S. Appl. No. 13/677,151.
- USPTO; Notice of Allowance dated Mar. 17, 2015 in U.S. Appl. No. 13/677,151.
- USPTO; Non-Final Office Action dated Aug. 20, 2013 in U.S. Appl. No. 13/679,502.
- USPTO; Final Office Action dated Feb. 25, 2014 in U.S. Appl. No. 13/679,502.
- USPTO; Notice of Allowance dated May 2, 2014 in U.S. Appl. No. 13/679,502.
- USPTO; Non-Final Office Action dated Jul. 21, 2015 in U.S. Appl. No. 13/727,324.
- USPTO; Final Office Action dated Jan. 22, 2016 in U.S. Appl. No. 13/727,324.
- USPTO; Advisory Action dated Apr. 6, 2016 in U.S. Appl. No. 13/727,324.
- USPTO; Non-Final Office Action dated May 25, 2016 in U.S. Appl. No. 13/727,324.
- USPTO; Final Office Action dated Dec. 1, 2016 in U.S. Appl. No. 13/727,324.
- USPTO; Notice of Allowance dated Mar. 1, 2017 in U.S. Appl. No. 13/727,324.
- USPTO; Non-Final Office Action dated Oct. 24, 2013 in U.S. Appl. No. 13/749,878.
- USPTO; Non-Final Office Action dated Jun. 18, 2014 in U.S. Appl. No. 13/749,878.
- USPTO; Final Office Action dated Dec. 10, 2014 in U.S. Appl. No. 13/749,878.

(56)

References Cited

OTHER PUBLICATIONS

- USPTO; Notice of Allowance Mar. 13, 2015 dated in U.S. Appl. No. 13/749,878.
- USPTO; Non-Final Office Action dated Sep. 16, 2013 in U.S. Appl. No. 13/760,160.
- USPTO; Final Office Action dated Dec. 27, 2013 in U.S. Appl. No. 13/760,160.
- USPTO; Non-Final Office Action dated Jun. 4, 2014 in U.S. Appl. No. 13/760,160.
- USPTO; Final Office Action dated Sep. 25, 2014 in U.S. Appl. No. 13/760,160.
- USPTO; Final Office Action dated Jan. 28, 2015 in U.S. Appl. No. 13/760,160.
- USPTO; Final Office Action dated May 12, 2015 in U.S. Appl. No. 13/760,160.
- USPTO; Notice of Allowance dated Oct. 21, 2015 in U.S. Appl. No. 13/760,160.
- USPTO; Notice of Allowance dated Jan. 20, 2016 in U.S. Appl. No. 13/760,160.
- USPTO; Office Action dated Apr. 23, 2014 in U.S. Appl. No. 13/784,362.
- USPTO; Notice of Allowance dated Aug. 13, 2014 in U.S. Appl. No. 13/784,362.
- USPTO; Non-Final Office Action dated Dec. 19, 2013 in U.S. Appl. No. 13/784,388.
- USPTO; Notice of Allowance dated Jun. 4, 2014 in U.S. Appl. No. 13/784,388.
- USPTO; Non-Final Office Action dated Sep. 19, 2014 in U.S. Appl. No. 13/791,246.
- USPTO; Final Office Action dated Mar. 25, 2015 in U.S. Appl. No. 13/791,246.
- USPTO; Non-Final Office Action dated Oct. 26, 2015 in U.S. Appl. No. 13/791,246.
- USPTO; Final Office Action dated Apr. 20, 2016 in U.S. Appl. No. 13/791,246.
- USPTO; Advisory Action dated Jul. 13, 2016 in U.S. Appl. No. 13/791,246.
- USPTO; Non-Final Office Action dated Aug. 11, 2016 in U.S. Appl. No. 13/791,246.
- USPTO; Notice of Allowance dated Oct. 19, 2016 in U.S. Appl. No. 13/791,246.
- USPTO; Notice of Allowance dated Nov. 25, 2016 in U.S. Appl. No. 13/791,246.
- USPTO; Non-Final Office Action dated Nov. 6, 2015 in U.S. Appl. No. 13/791,339.
- USPTO; Final Office Action dated Apr. 12, 2016 in U.S. Appl. No. 13/791,339.
- USPTO; Advisory Action dated Jul. 14, 2016 in U.S. Appl. No. 13/791,339.
- USPTO; Notice of Allowance dated Aug. 24, 2016 in U.S. Appl. No. 13/791,339.
- USPTO; Non-Final Office Action dated Mar. 21, 2014 in U.S. Appl. No. 13/799,708.
- USPTO; Notice of Allowance dated Oct. 31, 2014 in U.S. Appl. No. 13/799,708.
- USPTO; Non-Final Office Action dated Sep. 1, 2016 in U.S. Appl. No. 14/827,177.
- USPTO; Non-Final Office Action dated Oct. 9, 2014 in U.S. Appl. No. 13/874,708.
- USPTO; Notice of Allowance dated Mar. 10, 2015 in U.S. Appl. No. 13/874,708.
- USPTO; Notice of Allowance dated Apr. 10, 2014 in U.S. Appl. No. 13/901,341.
- USPTO; Notice of Allowance dated Jun. 6, 2014 in U.S. Appl. No. 13/901,341.
- USPTO; Non-Final Office Action dated Jan. 2, 2015 in U.S. Appl. No. 13/901,372.
- USPTO; Final Office Action dated Apr. 16, 2015 in U.S. Appl. No. 13/901,372.
- USPTO; Notice of Allowance dated Aug. 5, 2015 in U.S. Appl. No. 13/901,372.
- USPTO; Advisory Action dated Jun. 29, 2015 in U.S. Appl. No. 13/901,372.
- USPTO; Non-Final Office Action dated Jul. 8, 2015 in U.S. Appl. No. 13/901,400.
- USPTO; Final Office Action dated Jan. 14, 2016 in U.S. Appl. No. 13/901,400.
- USPTO; Notice of Allowance dated Apr. 12, 2016 in U.S. Appl. No. 13/901,400.
- USPTO; Non-Final Office Action dated Apr. 24, 2014 in U.S. Appl. No. 13/912,666.
- USPTO; Final Office Action dated Sep. 25, 2014 in U.S. Appl. No. 13/912,666.
- USPTO; Advisory Action dated Dec. 11, 2014 in U.S. Appl. No. 13/912,666.
- USPTO; Non-Final Office Action dated Jan. 26, 2015 in U.S. Appl. No. 13/912,666.
- USPTO; Notice of Allowance dated Jun. 25, 2015 in U.S. Appl. No. 13/912,666.
- USPTO; Non-Final Office Action dated Dec. 16, 2014 in U.S. Appl. No. 13/915,732.
- USPTO; Final Office Action dated Apr. 10, 2015 in U.S. Appl. No. 13/915,732.
- USPTO; Notice of Allowance dated Jun. 19, 2015 in U.S. Appl. No. 13/915,732.
- USPTO; Notice of Allowance dated Mar. 17, 2015 in U.S. Appl. No. 13/923,197.
- USPTO; Non-Final Office Action dated Sep. 12, 2014 in U.S. Appl. No. 13/941,134.
- USPTO; Notice of Allowance dated Jan. 20, 2015 in U.S. Appl. No. 13/941,134.
- USPTO; Non-Final Office Action dated Jul. 30, 2015 in U.S. Appl. No. 13/941,216.
- USPTO; Final Office Action dated Mar. 1, 2016 in U.S. Appl. No. 13/941,216.
- USPTO; Non-Final Office Action dated Jun. 15, 2016 in U.S. Appl. No. 13/941,216.
- USPTO; Notice of Allowance dated Sep. 13, 2016 in U.S. Appl. No. 13/941,216.
- USPTO; Notice of Allowance dated Nov. 14, 2016 in U.S. Appl. No. 13/941,216.
- USPTO; Non-Final Office Action dated Jan. 14, 2014 in U.S. Appl. No. 13/941,226.
- USPTO; Non-Final Office Action dated Jul. 8, 2014 in U.S. Appl. No. 13/941,226.
- USPTO; Non-Final Office Action dated Feb. 3, 2015 in U.S. Appl. No. 13/941,226.
- USPTO; Final Office Action dated Feb. 12, 2016 in U.S. Appl. No. 13/941,226.
- USPTO; Advisory Action dated Jul. 29, 2016 in U.S. Appl. No. 13/941,226.
- USPTO; Non-Final Office Action dated Aug. 8, 2017 in U.S. Appl. No. 13/941,226.
- USPTO; Notice of Allowance dated Aug. 13, 2018 in U.S. Appl. No. 13/941,226.
- USPTO; Notice of Allowance dated Oct. 3, 2018 in U.S. Appl. No. 13/941,226.
- USPTO; Non-Final Office Action dated Oct. 30, 2014 in U.S. Appl. No. 13/948,055.
- USPTO; Notice of Allowance dated Feb. 27, 2015 in U.S. Appl. No. 13/948,055.
- USPTO; Notice of Allowance dated Mar. 31, 2015 in U.S. Appl. No. 13/948,055.
- USPTO; Non-Final Office Action dated Jun. 29, 2015 in U.S. Appl. No. 13/966,782.
- USPTO; Final Office Action dated Jan. 4, 2016 in U.S. Appl. No. 13/966,782.
- USPTO; Notice of Allowance dated Mar. 21, 2016 in U.S. Appl. No. 13/966,782.
- USPTO; Notice of Allowance dated Oct. 7, 2015 in U.S. Appl. No. 13/973,777.

(56)

References Cited

OTHER PUBLICATIONS

- USPTO; Non-Final Office Action dated Feb. 20, 2015 in U.S. Appl. No. 14/018,231.
- USPTO; Notice of Allowance dated Jul. 20, 2015 in U.S. Appl. No. 14/018,231.
- USPTO; Non-Final Office Action dated Apr. 7, 2015 in U.S. Appl. No. 14/018,345.
- USPTO; Final Office Action dated Sep. 14, 2015 in U.S. Appl. No. 14/018,345.
- USPTO; Notice of Allowance dated Jan. 14, 2016 in U.S. Appl. No. 14/018,345.
- USPTO; Notice of Allowance dated Mar. 17, 2016 in U.S. Appl. No. 14/018,345.
- USPTO; Non-Final Office Action dated Mar. 26, 2015 in U.S. Appl. No. 14/031,982.
- USPTO; Final Office Action dated Aug. 28, 2015 in U.S. Appl. No. 14/031,982.
- USPTO; Notice of Allowance dated Nov. 17, 2015 in U.S. Appl. No. 14/031,982.
- USPTO; Non-Final Office Action dated Jan. 2, 2015 in U.S. Appl. No. 14/040,196.
- USPTO; Non-Final Office Action dated Apr. 28, 2015 in U.S. Appl. No. 14/040,196.
- USPTO; Notice of Allowance dated Sep. 11, 2015 in U.S. Appl. No. 14/040,196.
- USPTO; Non-Final Action dated Dec. 3, 2015 in U.S. Appl. No. 14/050,150.
- USPTO; Final Office Action dated Jun. 15, 2016 in U.S. Appl. No. 14/050,150.
- USPTO; Final Office Action dated Jul. 8, 2016 in U.S. Appl. No. 14/050,150.
- USPTO; Notice of Allowance dated Oct. 20, 2016 in U.S. Appl. No. 14/050,150.
- USPTO; Non-Final Office Action dated Dec. 15, 2014 in U.S. Appl. No. 14/065,114.
- USPTO; Final Office Action dated Jun. 19, 2015 in U.S. Appl. No. 14/065,114.
- USPTO; Advisory Action dated Aug. 24, 2015 in U.S. Appl. No. 14/065,114.
- USPTO; Non-Final Office Action dated Oct. 7, 2015 in U.S. Appl. No. 14/065,114.
- USPTO; Notice of Allowance dated Feb. 22, 2016 in U.S. Appl. No. 14/065,114.
- USPTO; Non-Final Office Action dated Nov. 14, 2014 in U.S. Appl. No. 14/069,244.
- USPTO; Notice of Allowance dated Mar. 25, 2015 in U.S. Appl. No. 14/069,244.
- USPTO; Non-Final Office Action dated Mar. 19, 2015 in U.S. Appl. No. 14/079,302.
- USPTO; Final Office Action dated Sep. 1, 2015 in U.S. Appl. No. 14/079,302.
- USPTO; Non-Final Office Action dated Dec. 23, 2015 in U.S. Appl. No. 14/079,302.
- USPTO; Non-Final Office Action dated Apr. 27, 2016 in U.S. Appl. No. 14/079,302.
- USPTO; Final Office Action dated Aug. 22, 2016 in U.S. Appl. No. 14/079,302.
- USPTO; Notice of Allowance dated Dec. 14, 2016 in U.S. Appl. No. 14/079,302.
- USPTO; Non-Final Office Action dated Sep. 9, 2015 in U.S. Appl. No. 14/090,750.
- USPTO; Final Office Action dated Feb. 11, 2016 in U.S. Appl. No. 14/090,750.
- USPTO; Advisory Action dated May 5, 2016 in U.S. Appl. No. 14/090,750.
- USPTO; Non-Final Office Action dated Jun. 14, 2016 in U.S. Appl. No. 14/090,750.
- USPTO; Advisory Action dated Dec. 21, 2016 in U.S. Appl. No. 14/090,750.
- USPTO; Advisory Action dated Jan. 30, 2018 in U.S. Appl. No. 14/090,750.
- USPTO; Final Office Action dated Sep. 28, 2016 in U.S. Appl. No. 14/090,750.
- USPTO; Non-Final Office Action dated Jun. 23, 2017 in U.S. Appl. No. 14/090,750.
- USPTO; Final Office Action dated Nov. 17, 2017 in U.S. Appl. No. 14/090,750.
- USPTO; Non-Final Office Action dated Mar. 12, 2018 in U.S. Appl. No. 14/090,750.
- USPTO; Notice of Allowance dated Aug. 29, 2018 in U.S. Appl. No. 14/090,750.
- USPTO; Non-Final Office Action dated Mar. 19, 2015 in U.S. Appl. No. 14/166,462.
- USPTO; Notice of Allowance dated Sep. 3, 2015 in U.S. Appl. No. 14/166,462.
- USPTO; Non-Final Office Action dated Nov. 17, 2015 in U.S. Appl. No. 14/172,220.
- USPTO; Office Action dated May 29, 2014 in U.S. Appl. No. 14/183,187.
- USPTO; Final Office Action dated Nov. 7, 2014 in U.S. Appl. No. 14/183,187.
- USPTO; Advisory Action dated Feb. 20, 2015 in U.S. Appl. No. 14/183,187.
- USPTO; Non-Final Office Action dated Mar. 16, 2015 in U.S. Appl. No. 14/183,187.
- USPTO; Final Office Action dated Jul. 10, 2015 in U.S. Appl. No. 14/183,187.
- USPTO; Notice of Allowance dated Aug. 31, 2015 in U.S. Appl. No. 14/183,187.
- USPTO; Non-Final Office Action dated Jan. 11, 2016 in U.S. Appl. No. 14/188,760.
- USPTO; Final Office Action dated Aug. 25, 2016 in U.S. Appl. No. 14/188,760.
- USPTO; Advisory Action dated Jan. 12, 2017 in U.S. Appl. No. 14/188,760.
- USPTO; Non-Final Office Action dated Mar. 23, 2017 in U.S. Appl. No. 14/188,760.
- USPTO; Final Office Action dated Oct. 5, 2017 in U.S. Appl. No. 14/188,760.
- USPTO; Advisory Action dated Jan. 3, 2018 in U.S. Appl. No. 14/188,760.
- USPTO; Non-Final Office Action dated Apr. 18, 2018 in U.S. Appl. No. 14/188,760.
- USPTO; Final Office Action dated Jan. 25, 2019 in U.S. Appl. No. 14/188,760.
- USPTO; Non-Final Office Action dated Oct. 8, 2015 in U.S. Appl. No. 14/218,374.
- USPTO; Final Office Action dated Feb. 23, 2016 in U.S. Appl. No. 14/218,374.
- USPTO; Advisory Action dated Apr. 29, 2016 in U.S. Appl. No. 14/218,374.
- USPTO; Notice of Allowance dated Aug. 5, 2016 in U.S. Appl. No. 14/218,374.
- USPTO; Non-Final Office Action dated Jul. 15, 2016 in U.S. Appl. No. 14/218,690.
- USPTO; Final Office Action dated Nov. 14, 2016 in U.S. Appl. No. 14/218,690.
- USPTO; Non-Final Office Action dated Apr. 6, 2017 in U.S. Appl. No. 14/218,690.
- USPTO; Final Office Action dated Jul. 20, 2017 in U.S. Appl. No. 14/218,690.
- USPTO; Non-Final Office Action dated Jan. 11, 2018 in U.S. Appl. No. 14/218,690.
- USPTO; Final Office Action dated May 24, 2018 in U.S. Appl. No. 14/218,690.
- USPTO; Notice of Allowance dated Sep. 24, 2018 in U.S. Appl. No. 14/218,690.
- USPTO; Non-Final Office Action dated Sep. 22, 2015 in U.S. Appl. No. 14/219,839.
- USPTO; Final Office Action dated Mar. 25, 2016 in U.S. Appl. No. 14/219,839.

(56)

References Cited

OTHER PUBLICATIONS

- USPTO; Non-Final Office Action dated Dec. 22, 2016 in U.S. Appl. No. 14/219,839.
- USPTO; Advisory Action dated Jun. 30, 2016 in U.S. Appl. No. 14/219,839.
- USPTO; Final Office Action dated Jul. 6, 2017 in U.S. Appl. No. 14/219,839.
- USPTO; Non-Final Office Action dated Mar. 27, 2018 in U.S. Appl. No. 14/219,839.
- USPTO; Final Office Action dated Nov. 1, 2018 in U.S. Appl. No. 14/219,839.
- USPTO; Advisory Action dated Jan. 22, 2019 in U.S. Appl. No. 14/219,839.
- USPTO; Non-Final Office Action dated Jul. 15, 2019 in U.S. Appl. No. 14/219,839.
- USPTO; Non-Final Office Action dated Nov. 25, 2015 in U.S. Appl. No. 14/219,879.
- USPTO; Final Office action dated May 19, 2016 in U.S. Appl. No. 14/219,879.
- USPTO; Advisory Action dated Aug. 22, 2016 in U.S. Appl. No. 14/219,879.
- USPTO; Non-Final Office Action dated Dec. 23, 2016 in U.S. Appl. No. 14/219,879.
- USPTO; Final Office action dated Jul. 6, 2017 in U.S. Appl. No. 14/219,879.
- USPTO; Advisory Action dated Oct. 5, 2017 in U.S. Appl. No. 14/219,879.
- USPTO; Non-Final Office Action dated Apr. 6, 2018 in U.S. Appl. No. 14/219,879.
- USPTO; Final Office Action dated Nov. 2, 2018 in U.S. Appl. No. 14/219,879.
- USPTO; Advisory Action dated Jan. 22, 2019 in U.S. Appl. No. 14/219,879.
- USPTO; Non-Final Office Action dated Jun. 24, 2019 in U.S. Appl. No. 14/219,879.
- USPTO; Non-Final Office Action dated Sep. 18, 2015 in U.S. Appl. No. 14/244,689.
- USPTO; Notice of Allowance dated Feb. 11, 2016 in U.S. Appl. No. 14/244,689.
- USPTO; Non-Final Office Action dated Oct. 7, 2015 in U.S. Appl. No. 14/246,969.
- USPTO; Final Office Action dated May 4, 2016 in U.S. Appl. No. 14/246,969.
- USPTO; Advisory Action dated Aug. 2, 2016 in U.S. Appl. No. 14/246,969.
- USPTO; Non-Final Office Action dated Aug. 12, 2016 in U.S. Appl. No. 14/246,969.
- USPTO; Notice of Allowance dated Feb. 27, 2017 in U.S. Appl. No. 14/246,969.
- USPTO; Non-Final Office Action dated Nov. 20, 2015 in U.S. Appl. No. 14/260,701.
- USPTO; Notice of Allowance dated Jun. 2, 2016 in U.S. Appl. No. 14/260,701.
- USPTO; Notice of Allowance dated Feb. 23, 2016 in U.S. Appl. No. 14/327,134.
- USPTO; Non-Final Office Action dated Aug. 19, 2015 in U.S. Appl. No. 14/268,348.
- USPTO; Non-Final Office Action dated Jan. 6, 2016 in U.S. Appl. No. 14/268,348.
- USPTO; Final Office Action dated Apr. 29, 2016 in U.S. Appl. No. 14/268,348.
- USPTO; Notice of Allowance dated Aug. 30, 2016 in U.S. Appl. No. 14/268,348.
- USPTO; Non-Final Office Action dated Oct. 20, 2015 in U.S. Appl. No. 14/281,477.
- USPTO; Advisory Action dated Mar. 28, 2016 in U.S. Appl. No. 14/281,477.
- USPTO; Non-Final Office Action dated Jan. 13, 2017 in U.S. Appl. No. 14/444,744.
- USPTO; Final Office Action dated Jul. 10, 2017 in U.S. Appl. No. 14/444,744.
- USPTO; Non-Final Office Action dated Nov. 29, 2017 in U.S. Appl. No. 14/444,744.
- USPTO; Final Office Action dated Mar. 28, 2018 in U.S. Appl. No. 14/444,744.
- USPTO; Non-Final Office Action dated Jul. 27, 2018 in U.S. Appl. No. 14/444,744.
- USPTO; Final Office Action dated Feb. 7, 2019 in U.S. Appl. No. 14/444,744.
- USPTO; Non-Final Office Action dated May 18, 2016 in U.S. Appl. No. 14/449,838.
- USPTO; Notice of Allowance dated Nov. 28, 2016 in U.S. Appl. No. 14/449,838.
- USPTO; Non-Final Office Action dated Feb. 12, 2015 in U.S. Appl. No. 14/457,058.
- USPTO; Final Office Action dated Jul. 14, 2015 in U.S. Appl. No. 14/457,058.
- USPTO; Non-Final Office Action dated Nov. 6, 2015 in U.S. Appl. No. 14/457,058.
- USPTO; Final Office Acton dated Jun. 17, 2016 in U.S. Appl. No. 14/457,058.
- USPTO; Advisory Action dated Sep. 21, 2016 in U.S. Appl. No. 14/457,058.
- USPTO; Non-Final Office Action dated Oct. 6, 2016 in U.S. Appl. No. 14/457,058.
- USPTO; Final Office Acton dated May 4, 2017 in U.S. Appl. No. 14/457,058.
- USPTO; Non-Final Office Action dated Oct. 19, 2017 in U.S. Appl. No. 14/457,058.
- USPTO; Final Office Action dated Jun. 14, 2018 in U.S. Appl. No. 14/457,058.
- USPTO; Non-Final Office Action dated Jan. 11, 2019 in U.S. Appl. No. 14/457,058.
- USPTO; Final Office Action dated Jun. 25, 2019 in U.S. Appl. No. 14/457,058.
- USPTO; Non-Final Office Action dated Sep. 16, 2016 in U.S. Appl. No. 14/465,252.
- USPTO; Final Office Action dated Nov. 1, 2016 in U.S. Appl. No. 14/465,252.
- USPTO; Non-Final Office Action dated Mar. 6, 2017 in U.S. Appl. No. 14/465,252.
- USPTO; Final Office Action dated Jun. 9, 2017 in U.S. Appl. No. 14/465,252.
- USPTO; Notice of Allowance dated Oct. 3, 2017 in U.S. Appl. No. 14/465,252.
- USPTO; Non-Final Office Action dated May 31, 2018 in U.S. Appl. No. 15/491,726.
- USPTO; Non-Final Office Action dated Nov. 24, 2015 in U.S. Appl. No. 14/498,036.
- USPTO; Final Office Action dated Apr. 5, 2016 in U.S. Appl. No. 14/498,036.
- USPTO; Advisory Action dated Jun. 16, 2016 in U.S. Appl. No. 14/498,036.
- USPTO; Notice of Allowance dated Aug. 17, 2016 in U.S. Appl. No. 14/498,036.
- USPTO; Non-Final Office Action dated Apr. 10, 2015 in U.S. Appl. No. 14/505,290.
- USPTO; Notice of Allowance dated Aug. 21, 2015 in U.S. Appl. No. 14/505,290.
- USPTO; Non-Final Office Action dated Dec. 17, 2015 in U.S. Appl. No. 14/508,296.
- USPTO; Final Office Action dated May 26, 2016 in U.S. Appl. No. 14/508,296.
- USPTO; Advisory Action dated Aug. 17, 2016 in U.S. Appl. No. 14/508,296.
- USPTO; Non-Final Office Action dated Sep. 8, 2016 in U.S. Appl. No. 14/508,296.
- USPTO; Final Office Action dated Dec. 7, 2016 in U.S. Appl. No. 14/508,296.
- USPTO; Notice of Allowance dated Jan. 27, 2017 in U.S. Appl. No. 14/508,296.

(56)

References Cited

OTHER PUBLICATIONS

- USPTO; Non-Final Office Action dated Apr. 6, 2017 in U.S. Appl. No. 14/508,489.
- USPTO; Final Office Action dated Oct. 4, 2017 in U.S. Appl. No. 14/508,489.
- USPTO; Non-Final Office Action dated May 15, 2018 in U.S. Appl. No. 14/508,489.
- USPTO; Final Office Action dated Nov. 28, 2018 in U.S. Appl. No. 14/508,489.
- USPTO; Non-Final Office Action dated Apr. 4, 2019 in U.S. Appl. No. 14/508,489.
- USPTO; Non-Final Office Action dated Jan. 16, 2015 in U.S. Appl. No. 14/563,044.
- USPTO; Final Office Action dated Jul. 16, 2015 in U.S. Appl. No. 14/563,044.
- USPTO; Notice of Allowance dated Oct. 15, 2015 in U.S. Appl. No. 14/563,044.
- USPTO; Notice of Allowance dated Dec. 2, 2015 in U.S. Appl. No. 14/563,044.
- USPTO; Non-Final Office Action dated May 4, 2016 in U.S. Appl. No. 14/568,647.
- USPTO; Final Office Action dated Sep. 29, 2016 in U.S. Appl. No. 14/568,647.
- USPTO; Advisory Action dated Dec. 21, 2016 in U.S. Appl. No. 14/568,647.
- USPTO; Non-Final Office Action dated Feb. 2, 2017 in U.S. Appl. No. 14/568,647.
- USPTO; Final Office Action dated May 19, 2017 in U.S. Appl. No. 14/568,647.
- USPTO; Non-Final Office Action dated Sep. 14, 2017 in U.S. Appl. No. 14/568,647.
- USPTO; Final Office Action dated Jan. 23, 2018 in U.S. Appl. No. 14/568,647.
- USPTO; Advisory Action dated Apr. 12, 2018 in U.S. Appl. No. 14/568,647.
- USPTO; Non-Final Office Action dated May 25, 2018 in U.S. Appl. No. 14/568,647.
- USPTO; Non-Final Office Action dated Oct. 1, 2015 in U.S. Appl. No. 14/571,126.
- USPTO; Final Office Action dated Feb. 22, 2016 in U.S. Appl. No. 14/571,126.
- USPTO; Notice of Allowance dated May 18, 2016 in U.S. Appl. No. 14/571,126.
- USPTO; Notice of Allowance dated Jun. 2, 2016 in U.S. Appl. No. 14/571,126.
- USPTO; Non-Final Office Action dated Nov. 25, 2015 in U.S. Appl. No. 14/598,532.
- USPTO; Notice of Allowance dated May 16, 2016 in U.S. Appl. No. 14/598,532.
- USPTO; Non-Final Office Action dated Jan. 15, 2016 in U.S. Appl. No. 14/606,364.
- USPTO; Final Office Action dated Jun. 14, 2016 in U.S. Appl. No. 14/606,364.
- USPTO; Advisory Action dated Aug. 25, 2016 in U.S. Appl. No. 14/606,364.
- USPTO; Non-Final Office Action dated Sep. 27, 2016 in U.S. Appl. No. 14/606,354.
- USPTO; Final Office Action dated Jan. 12, 2017 in U.S. Appl. No. 14/606,364.
- USPTO; Non-Final Office Action dated May 10, 2017 in U.S. Appl. No. 14/606,364.
- USPTO; Non-Final Office Action dated Mar. 3, 2016 in U.S. Appl. No. 14/622,603.
- USPTO; Notice of Allowance dated Aug. 2, 2016 in U.S. Appl. No. 14/622,603.
- USPTO; Notice of Allowance dated Feb. 16, 2016 in U.S. Appl. No. 14/634,342.
- USPTO; Non-Final Office Action dated Oct. 19, 2017 in U.S. Appl. No. 14/645,234.
- USPTO; Non-Final Office Action dated May 16, 2018 in U.S. Appl. No. 14/645,234.
- USPTO; Final Office Action dated Aug. 10, 2018 in U.S. Appl. No. 14/645,234.
- USPTO; Non-Final Office Action dated Jun. 7, 2017 in U.S. Appl. No. 14/656,588.
- USPTO; Final Office Action dated Dec. 26, 2017 in U.S. Appl. No. 14/656,588.
- USPTO; Non-Final Office Action dated Apr. 6, 2018 in U.S. Appl. No. 14/656,588.
- USPTO; Notice of Allowance dated Nov. 19, 2018 in U.S. Appl. No. 14/656,588.
- USPTO; Non-Final Office Action dated Mar. 21, 2016 in U.S. Appl. No. 14/659,152.
- USPTO; Final Office Action dated Jul. 29, 2016 in U.S. Appl. No. 14/659,152.
- USPTO; Notice of Allowance dated Nov. 22, 2016 in U.S. Appl. No. 14/659,152.
- USPTO; Non-Final Office Action dated Sep. 7, 2017 in U.S. Appl. No. 14/660,755.
- USPTO; Notice of Allowance dated Oct. 2, 2017 in U.S. Appl. No. 14/660,755.
- USPTO; Notice of Allowance dated Mar. 25, 2016 in U.S. Appl. No. 14/693,138.
- USPTO; Non-Final Office Action dated Aug. 3, 2017 in U.S. Appl. No. 14/752,712.
- USPTO; Final Office Action dated Nov. 29, 2017 in U.S. Appl. No. 14/752,712.
- USPTO; Advisory Action dated Feb. 15, 2018 in U.S. Appl. No. 14/752,712.
- USPTO; Non-Final Office Action dated Mar. 21, 2018 in U.S. Appl. No. 14/752,712.
- USPTO; Final Office Action dated Sep. 5, 2018 in U.S. Appl. No. 14/752,712.
- USPTO; Non-Final Office Action dated Dec. 28, 2018 in U.S. Appl. No. 14/752,712.
- USPTO; Notice of Allowance dated Jun. 11, 2019 in U.S. Appl. No. 14/752,712.
- USPTO; Non-Final Office Action dated Nov. 29, 2017 in U.S. Appl. No. 14/793,323.
- USPTO; Final Office Action dated Mar. 29, 2018 in U.S. Appl. No. 14/793,323.
- USPTO; Non-Final Office Action dated Aug. 10, 2018 in U.S. Appl. No. 14/793,323.
- USPTO; Final Office Action dated Feb. 25, 2019 in U.S. Appl. No. 14/793,323.
- USPTO; Non-Final Office Action dated Jun. 27, 2019 in U.S. Appl. No. 14/793,323.
- USPTO; Non-Final Office Action dated Jun. 16, 2017 in U.S. Appl. No. 14/798,136.
- USPTO; Notice of Allowance dated Oct. 5, 2017 in U.S. Appl. No. 14/798,136.
- USPTO; Non-Final Office Action dated Mar. 30, 2016 in U.S. Appl. No. 14/808,979.
- USPTO; Final Office Action dated Sep. 30, 2016 in U.S. Appl. No. 14/808,979.
- USPTO; Non-Final Office Action dated Dec. 20, 2016 in U.S. Appl. No. 14/808,979.
- USPTO; Final Office Action dated Jun. 8, 2017 in U.S. Appl. No. 14/808,979.
- USPTO; Non-Final Office Action dated Sep. 21, 2017 in U.S. Appl. No. 14/808,979.
- USPTO; Final Office Action dated Mar. 14, 2018 in U.S. Appl. No. 14/808,979.
- USPTO; Notice of Allowance dated Jun. 27, 2018 in U.S. Appl. No. 14/808,979.
- USPTO; Non-Final Office Action dated Feb. 23, 2018 in U.S. Appl. No. 14/817,953.
- USPTO; Notice of Allowance dated Jul. 11, 2018 in U.S. Appl. No. 14/817,953.
- USPTO; Notice of Allowance dated Jan. 27, 2017 in U.S. Appl. No. 14/827,177.

(56)

References Cited

OTHER PUBLICATIONS

- USPTO; Non-Final Office Action dated Sep. 9, 2016 in U.S. Appl. No. 14/829,565.
- USPTO; Final Office Action dated Feb. 9, 2017 in U.S. Appl. No. 14/829,565.
- USPTO; Advisory Action dated Apr. 20, 2017 in U.S. Appl. No. 14/829,565.
- USPTO; Non-Final Office Action dated Sep. 19, 2017 in U.S. Appl. No. 14/829,565.
- USPTO; Final Office Action dated Mar. 5, 2018 in U.S. Appl. No. 14/829,565.
- USPTO; Advisory Action dated Aug. 10, 2018 in U.S. Appl. No. 14/829,565.
- USPTO; Non-Final Office Action dated Sep. 6, 2018 in U.S. Appl. No. 14/829,565.
- USPTO; Final Office Action dated Apr. 18, 2019 in U.S. Appl. No. 14/829,565.
- USPTO; Advisory Action dated Jul. 22, 2019 in U.S. Appl. No. 14/829,565.
- USPTO; Non-Final Office Action dated Apr. 29, 2016 in U.S. Appl. No. 14/835,637.
- USPTO; Final Office Action dated Nov. 25, 2016 in U.S. Appl. No. 14/835,637.
- USPTO; Advisory Action dated Feb. 14, 2017 in U.S. Appl. No. 14/835,637.
- USPTO; Notice of Allowance dated Apr. 25, 2017 in U.S. Appl. No. 14/835,637.
- USPTO; Non-Final Office Action dated Jul. 29, 2016 in U.S. Appl. No. 14/884,695.
- USPTO; Final Office Action dated Feb. 9, 2017 in U.S. Appl. No. 14/884,695.
- USPTO; Advisory Action dated Apr. 20, 2017 in U.S. Appl. No. 14/884,695.
- USPTO; Non-Final Office Action dated May 18, 2017 in U.S. Appl. No. 14/884,695.
- USPTO; Notice of Allowance dated Oct. 20, 2017 in U.S. Appl. No. 14/884,695.
- USPTO; Non-Final Office Action dated May 18, 2017 in U.S. Appl. No. 14/886,571.
- USPTO; Final Office Action dated Sep. 21, 2017 in U.S. Appl. No. 14/886,571.
- USPTO; Notice of Allowance dated Dec. 6, 2017 in U.S. Appl. No. 14/886,571.
- USPTO; Non-Final Office Action dated Dec. 1, 2016 in U.S. Appl. No. 14/919,536.
- USPTO; Final Office Action dated Mar. 28, 2017 in U.S. Appl. No. 14/919,536.
- USPTO; Non-Final Office Action dated Aug. 29, 2017 in U.S. Appl. No. 14/919,536.
- USPTO; Final Office Action dated May 11, 2018 in U.S. Appl. No. 14/919,536.
- USPTO; Notice of Allowance dated Oct. 4, 2018 in U.S. Appl. No. 14/919,536.
- USPTO; Notice of Allowance dated Nov. 19, 2018 in U.S. Appl. No. 14/919,536.
- USPTO; Non-Final Office Action dated May 3, 2016 in U.S. Appl. No. 14/937,053.
- USPTO; Notice of Allowance dated Jul. 26, 2016 in U.S. Appl. No. 14/937,053.
- USPTO; Non-Final Office Action dated Dec. 15, 2016 in U.S. Appl. No. 14/938,180.
- USPTO; Notice of Allowance dated Nov. 9, 2017 in U.S. Appl. No. 14/938,180.
- USPTO; Non-Final Office Action dated Apr. 14, 2017 in U.S. Appl. No. 14/956,115.
- USPTO; Final Office Action dated Jul. 21, 2017 in U.S. Appl. No. 14/956,115.
- USPTO; Notice of Allowance dated Dec. 14, 2017 in U.S. Appl. No. 14/956,115.
- USPTO; Notice of Allowance dated Feb. 3, 2017 in U.S. Appl. No. 14/977,291.
- USPTO; Non-Final Office Action dated Aug. 12, 2016 in U.S. Appl. No. 14/981,434.
- USPTO; Notice of Allowance dated Nov. 21, 2016 in U.S. Appl. No. 14/981,434.
- USPTO; Non-Final Office Action dated Jan. 12, 2017 in U.S. Appl. No. 14/981,468.
- USPTO; Notice of Allowance dated Jun. 7, 2017 in U.S. Appl. No. 14/981,468.
- USPTO; Non-Final Office Action dated Mar. 22, 2016 in U.S. Appl. No. 14/987,420.
- USPTO; Non-Final Office Action dated Dec. 14, 2016 in U.S. Appl. No. 14/997,683.
- USPTO; Final Office Action dated Apr. 14, 2017 in U.S. Appl. No. 14/997,683.
- USPTO; Non-Final Office Action dated Sep. 1, 2017 in U.S. Appl. No. 14/997,683.
- USPTO; Final Office Action dated Feb. 6, 2018 in U.S. Appl. No. 14/997,683.
- USPTO; Advisory Action dated May 2, 2018 in U.S. Appl. No. 14/997,683.
- USPTO; Non-Final Office Action dated Jun. 20, 2018 in U.S. Appl. No. 14/997,683.
- USPTO; Final Office Action dated Dec. 10, 2018 in U.S. Appl. No. 14/997,683.
- USPTO; Notice of Allowance dated Mar. 25, 2019 in U.S. Appl. No. 14/997,683.
- USPTO; Non-Final Office Action dated Sep. 23, 2016 in U.S. Appl. No. 15/048,422.
- USPTO; Notice of Allowance dated May 4, 2017 in U.S. Appl. No. 15/048,422.
- USPTO; Non-Final Office Action dated Aug. 4, 2017 in U.S. Appl. No. 15/050,159.
- USPTO; Notice of Allowance dated Feb. 7, 2018 in U.S. Appl. No. 15/050,159.
- USPTO; Non-Final Office Action dated Apr. 22, 2016 in U.S. Appl. No. 15/055,122.
- USPTO; Notice of Allowance dated Sep. 15, 2016 in U.S. Appl. No. 15/055,122.
- USPTO; Non-Final Office Action dated Feb. 20, 2018 in U.S. Appl. No. 15/060,412.
- USPTO; Final Office Action dated Oct. 19, 2018 in U.S. Appl. No. 15/060,412.
- USPTO; Non-Final Office Action dated Jun. 3, 2019 in U.S. Appl. No. 15/060,412.
- USPTO; Non-Final Office Action dated Aug. 27, 2018 in U.S. Appl. No. 15/067,028.
- USPTO; Notice of Allowance dated Dec. 21, 2018 in U.S. Appl. No. 15/067,028.
- USPTO; Non-Final Office Action dated Sep. 26, 2018 in U.S. Appl. No. 15/074,813.
- USPTO; Notice of Allowance dated Feb. 25, 2019 in U.S. Appl. No. 15/074,813.
- USPTO; Non-Final Office Action dated Jan. 9, 2018 in U.S. Appl. No. 15/135,224.
- USPTO; Notice of Allowance dated Jun. 29, 2018 in U.S. Appl. No. 15/135,224.
- USPTO; Non-Final Office Action dated Jan. 9, 2018 in U.S. Appl. No. 15/135,258.
- USPTO; Final Office Action dated Jul. 6, 2018 in U.S. Appl. No. 15/135,258.
- USPTO; Non-Final Office Action dated Nov. 23, 2018 in U.S. Appl. No. 15/135,258.
- USPTO; Final Office Action dated Mar. 14, 2019 in U.S. Appl. No. 15/135,258.
- USPTO; Non-Final Office Action dated Jul. 19, 2019 in U.S. Appl. No. 15/135,258.
- USPTO; Non-Final Office Action dated Jan. 9, 2018 in U.S. Appl. No. 15/135,333.
- USPTO; Notice of Allowance dated Sep. 14, 2018 in U.S. Appl. No. 15/135,333.

(56)

References Cited

OTHER PUBLICATIONS

- USPTO; Non-Final Office Action dated Nov. 21, 2016 in U.S. Appl. No. 15/144,481.
- USPTO; Final Office Action dated May 26, 2017 in U.S. Appl. No. 15/144,481.
- USPTO; Non-Final Office Action dated Sep. 21, 2017 in U.S. Appl. No. 15/144,481.
- USPTO; Notice of Allowance dated Apr. 11, 2018 in U.S. Appl. No. 15/144,481.
- USPTO; Non-Final Office Action dated Apr. 13, 2017 in U.S. Appl. No. 15/144,506.
- USPTO; Final Office Action dated Oct. 10, 2017 in U.S. Appl. No. 15/144,506.
- USPTO; Final Office Action dated Jul. 26, 2018 in U.S. Appl. No. 15/144,506.
- USPTO; Notice of Allowance dated Mar. 13, 2019 in U.S. Appl. No. 15/144,506.
- USPTO; Non-Final Office Action dated Oct. 9, 2018 in U.S. Appl. No. 15/182,504.
- USPTO; Final Office Action dated Mar. 28, 2019 in U.S. Appl. No. 15/182,504.
- USPTO; Notice of Allowance dated Jul. 17, 2019 in U.S. Appl. No. 15/182,504.
- USPTO; Non-Final Office Action dated Nov. 28, 2016 in U.S. Appl. No. 15/203,632.
- USPTO; Final Office Action dated Jun. 7, 2017 in U.S. Appl. No. 15/203,632.
- USPTO; Advisory Action dated Aug. 23, 2017 in U.S. Appl. No. 15/203,632.
- USPTO; Notice of Allowance dated Sep. 20, 2017 in U.S. Appl. No. 15/203,632.
- USPTO; Non-Final Office Action dated Nov. 29, 2016 in U.S. Appl. No. 15/203,642.
- USPTO; Final Office Action dated Apr. 13, 2017 in U.S. Appl. No. 15/203,642.
- USPTO; Advisory Action dated Jun. 22, 2017 in U.S. Appl. No. 15/203,642.
- USPTO; Notice of Allowance dated Aug. 7, 2017 in U.S. Appl. No. 15/203,642.
- USPTO; Non-Final Office Action dated Jun. 1, 2017 in U.S. Appl. No. 15/205,827.
- USPTO; Final Office Action dated Oct. 16, 2017 in U.S. Appl. No. 15/205,827.
- USPTO; Non-Final Office Action dated May 14, 2018 in U.S. Appl. No. 15/205,827.
- USPTO; Final Office Action dated Oct. 9, 2018 in U.S. Appl. No. 15/205,827.
- USPTO; Non-Final Office Action dated Mar. 28, 2019 in U.S. Appl. No. 15/205,827.
- USPTO; Non-Final Office Action dated Mar. 31, 2017 in U.S. Appl. No. 15/205,890.
- USPTO; Notice of Allowance dated Oct. 16, 2017 in U.S. Appl. No. 15/205,890.
- USPTO; Non-Final Office Action dated Jan. 20, 2017 in U.S. Appl. No. 15/210,256.
- USPTO; Notice of Allowance dated May 18, 2017 in U.S. Appl. No. 15/210,256.
- USPTO; Notice of Allowance dated Jul. 24, 2017 in U.S. Appl. No. 15/210,256.
- USPTO; Non-Final Office Action dated Apr. 21, 2017 in U.S. Appl. No. 15/222,715.
- USPTO; Notice of Allowance dated Jul. 14, 2017 in U.S. Appl. No. 15/222,715.
- USPTO; Notice of Allowance dated Sep. 27, 2017 in U.S. Appl. No. 15/222,715.
- USPTO; Non-Final Office Action dated Feb. 3, 2017 in U.S. Appl. No. 15/222,738.
- USPTO; Notice of Allowance dated Feb. 3, 2017 in U.S. Appl. No. 15/222,738.
- USPTO; Notice of Allowance dated May 22, 2017 in U.S. Appl. No. 15/222,738.
- USPTO; Notice of Allowance dated Aug. 23, 2017 in U.S. Appl. No. 15/222,738.
- USPTO; Non-Final Office Action dated Jan. 17, 2017 in U.S. Appl. No. 15/222,749.
- USPTO; Final Office Action dated May 5, 2017 in U.S. Appl. No. 15/222,749.
- USPTO; Non-Final Office Action dated Sep. 7, 2017 in U.S. Appl. No. 15/222,749.
- USPTO; Final Office Action dated Jun. 4, 2018 in U.S. Appl. No. 15/222,749.
- USPTO; Notice of Allowance dated Aug. 30, 2018 in U.S. Appl. No. 15/222,749.
- USPTO; Non-Final Office Action dated Jan. 3, 2017 in U.S. Appl. No. 15/222,780.
- USPTO; Final Office Action dated May 5, 2017 in U.S. Appl. No. 15/222,780.
- USPTO; Non-Final Office Action dated Sep. 7, 2017 in U.S. Appl. No. 15/222,780.
- USPTO; Final Office Action dated May 17, 2018 in U.S. Appl. No. 15/222,780.
- USPTO; Non-Final Office Action dated Oct. 1, 2018 in U.S. Appl. No. 15/222,780.
- USPTO; Notice of Allowance dated Apr. 19, 2019 in U.S. Appl. No. 15/222,780.
- USPTO; Notice of Allowance dated Jul. 12, 2018 in U.S. Appl. No. 15/254,605.
- USPTO; Non-Final Office Action dated Aug. 28, 2017 in U.S. Appl. No. 15/254,724.
- USPTO; Notice of Allowance dated Jan. 17, 2018 in U.S. Appl. No. 15/254,724.
- USPTO; Notice of Allowance dated Apr. 2, 2018 in U.S. Appl. No. 15/254,724.
- USPTO; Non-Final Office Action dated May 22, 2018 in U.S. Appl. No. 15/262,990.
- USPTO; Non-Final Office Action dated Sep. 13, 2018 in U.S. Appl. No. 15/262,990.
- USPTO; Non-Final Office Action dated Jan. 30, 2019 in U.S. Appl. No. 15/262,990.
- USPTO; Final Office Action dated May 13, 2019 in U.S. Appl. No. 15/262,990.
- USPTO; Advisory Action dated Jul. 22, 2019 in U.S. Appl. No. 15/262,990.
- USPTO; Non-Final Office Action dated Aug. 3, 2018 in U.S. Appl. No. 15/273,488.
- USPTO; Final Office Action dated Jan. 11, 2019 in U.S. Appl. No. 15/273,488.
- USPTO; Notice of Allowance dated Apr. 19, 2019 in U.S. Appl. No. 15/273,488.
- USPTO; Non-Final Office Action dated Jul. 2, 2018 in U.S. Appl. No. 15/286,503.
- USPTO; Final Office Action dated Feb. 7, 2019 in U.S. Appl. No. 15/286,503.
- USPTO; Non-Final Office Action dated Jun. 27, 2019 in U.S. Appl. No. 15/286,503.
- USPTO; Non-Final Office Action dated Dec. 14, 2018 in U.S. Appl. No. 15/340,512.
- USPTO; Notice of Allowance dated May 24, 2019 in U.S. Appl. No. 15/340,512.
- USPTO; Non-Final Office Action dated Oct. 23, 2017 in U.S. Appl. No. 15/377,439.
- USPTO; Final Office Action dated Apr. 16, 2018 in U.S. Appl. No. 15/377,439.
- USPTO; Advisory Action dated Aug. 8, 2018 in U.S. Appl. No. 15/377,439.
- USPTO; Non-Final Office Action dated Nov. 14, 2018 in U.S. Appl. No. 15/377,439.
- USPTO; Final Office Action dated Jun. 25, 2019 in U.S. Appl. No. 15/377,439.
- USPTO; Notice of Allowance dated Aug. 8, 2017 in U.S. Appl. No. 15/380,895.

(56)

References Cited

OTHER PUBLICATIONS

- USPTO; Notice of Allowance dated Oct. 11, 2017 in U.S. Appl. No. 15/380,895.
- USPTO; Non-Final Office Action dated May 31, 2019 in U.S. Appl. No. 15/380,909.
- USPTO; Non-Final Office Action dated Jan. 4, 2018 in U.S. Appl. No. 15/380,921.
- USPTO; Final Office Action dated Jun. 28, 2018 in U.S. Appl. No. 15/380,921.
- USPTO; Non-Final Office Action dated Feb. 25, 2019 in U.S. Appl. No. 15/380,921.
- USPTO; Non-Final Office Action dated Oct. 3, 2017 in U.S. Appl. No. 15/388,410.
- USPTO; Final Office Action dated May 15, 2018 in U.S. Appl. No. 15/388,410.
- USPTO; Notice of Allowance dated Nov. 14, 2018 in U.S. Appl. No. 15/388,410.
- USPTO; Notice of Allowance dated Dec. 28, 2018 in U.S. Appl. No. 15/388,410.
- USPTO; Non-Final Office Action dated Aug. 11, 2017 in U.S. Appl. No. 15/397,237.
- USPTO; Notice of Allowance dated Dec. 22, 2017 in U.S. Appl. No. 15/397,237.
- USPTO; Non-Final Office Action dated Apr. 12, 2017 in U.S. Appl. No. 15/397,319.
- USPTO; Final Office Action dated Jul. 12, 2017 in U.S. Appl. No. 15/397,319.
- USPTO; Notice of Allowance dated Dec. 15, 2017 in U.S. Appl. No. 15/397,319.
- USPTO; Non-Final Office Action dated Feb. 5, 2019 in U.S. Appl. No. 15/402,993.
- USPTO; Final Office Action dated May 21, 2019 in U.S. Appl. No. 15/402,993.
- USPTO; Non-Final Office Action dated Sep. 20, 2018 in U.S. Appl. No. 15/410,503.
- USPTO; Final Office Action dated Feb. 4, 2019 in U.S. Appl. No. 15/410,503.
- USPTO; Non-Final Office Action dated Apr. 25, 2019 in U.S. Appl. No. 15/410,503.
- USPTO; Non-Final Office Action dated Aug. 7, 2018 in U.S. Appl. No. 15/428,808.
- USPTO; Final Office Action dated Jan. 11, 2019 in U.S. Appl. No. 15/428,808.
- USPTO; Notice of Allowance dated Apr. 25, 2019 in U.S. Appl. No. 15/428,808.
- USPTO; Non-Final Office Action dated Apr. 6, 2018 in U.S. Appl. No. 15/434,051.
- USPTO; Final Office Action dated Aug. 29, 2018 in U.S. Appl. No. 15/434,051.
- USPTO; Advisory Action dated Dec. 4, 2018 in U.S. Appl. No. 15/434,051.
- USPTO; Non-Final Office Action dated Jan. 25, 2019 in U.S. Appl. No. 15/434,051.
- USPTO; Notice of Allowance dated Jun. 3, 2019 in U.S. Appl. No. 15/434,051.
- USPTO; Notice of Allowance dated Oct. 6, 2017 in U.S. Appl. No. 15/450,199.
- USPTO; Non-Final Office Action dated Dec. 15, 2017 in U.S. Appl. No. 15/466,149.
- USPTO; Notice of Allowance dated Apr. 20, 2018 in U.S. Appl. No. 15/466,149.
- USPTO; Non-Final Office Action dated Apr. 6, 2018 in U.S. Appl. No. 15/472,750.
- USPTO; Notice of Allowance dated Nov. 30, 2018 in U.S. Appl. No. 15/472,750.
- USPTO; Non-Final Office Action dated Oct. 4, 2017 in U.S. Appl. No. 15/489,453.
- USPTO; Final Office Action dated Apr. 19, 2018 in U.S. Appl. No. 15/489,453.
- USPTO; Non-Final Office Action dated Sep. 10, 2018 in U.S. Appl. No. 15/489,453.
- USPTO; Final Office Action dated Feb. 27, 2019 in U.S. Appl. No. 15/489,453.
- USPTO; Non-Final Office Action dated Jun. 5, 2019 in U.S. Appl. No. 15/489,453.
- USPTO; Notice of Allowance dated Dec. 19, 2017 in U.S. Appl. No. 15/489,660.
- USPTO; Non-Final Office Action dated Dec. 6, 2017 in U.S. Appl. No. 15/476,035.
- USPTO; Notice of Allowance dated Mar. 21, 2018 in U.S. Appl. No. 15/476,035.
- USPTO; Notice of Allowance dated Aug. 14, 2018 in U.S. Appl. No. 15/476,035.
- USPTO; Final Office Action dated May 1, 2019 in U.S. Appl. No. 15/491,726.
- USPTO; Non-Final Office Action dated Jan. 16, 2018 in U.S. Appl. No. 15/499,647.
- USPTO; Notice of Allowance dated May 23, 2018 in U.S. Appl. No. 15/499,647.
- USPTO; Non-Final Office Action dated Jun. 21, 2018 in U.S. Appl. No. 15/499,647.
- USPTO; Notice of Allowance dated Nov. 1, 2018 in U.S. Appl. No. 15/499,647.
- USPTO; Notice of Allowance dated Nov. 15, 2018 in U.S. Appl. No. 15/499,647.
- USPTO; Office Action dated Aug. 30, 2018 in U.S. Appl. No. 15/589,849.
- USPTO; Final Office Action dated Mar. 6, 2019 in U.S. Appl. No. 15/589,849.
- USPTO; Non-Final Office Action dated Jun. 28, 2019 in U.S. Appl. No. 15/589,849.
- USPTO; Office Action dated May 3, 2018 in U.S. Appl. No. 15/589,861.
- USPTO; Non-Final Office Action dated Dec. 21, 2018 in U.S. Appl. No. 15/589,861.
- USPTO; Final Office Action dated Jun. 26, 2019 in U.S. Appl. No. 15/589,861.
- USPTO; Non-Final Office Action dated Apr. 4, 2018 in U.S. Appl. No. 15/592,730.
- USPTO; Final Office Action dated Nov. 16, 2018 in U.S. Appl. No. 15/592,730.
- USPTO; Advisory Action dated Mar. 15, 2019 in U.S. Appl. No. 15/592,730.
- USPTO; Non-Final Office Action dated Mar. 7, 2019 in U.S. Appl. No. 15/598,169.
- USPTO; Final Office Action dated Jun. 25, 2019 in U.S. Appl. No. 15/598,169.
- USPTO; Ex Parte Quayle Action dated Mar. 21, 2019 in U.S. Appl. No. 15/615,489.
- USPTO; Non-Final Office Action dated Feb. 1, 2019 in U.S. Appl. No. 15/627,189.
- USPTO; Notice of Allowance dated May 21, 2019 in U.S. Appl. No. 15/627,189.
- USPTO; Non-Final Office Action dated Nov. 9, 2018 in U.S. Appl. No. 15/636,307.
- USPTO; Final Office Action dated Mar. 6, 2019 in U.S. Appl. No. 15/636,307.
- USPTO; Non-Final Office Action dated Jul. 16, 2019 in U.S. Appl. No. 15/636,307.
- USPTO; Notice of Allowance dated Jul. 18, 2018 in U.S. Appl. No. 15/640,239.
- USPTO; Notice of Allowance dated Aug. 30, 2018 in U.S. Appl. No. 15/640,239.
- USPTO; Non-Final Office Action dated Jun. 5, 2018 in U.S. Appl. No. 15/650,686.
- USPTO; Final Office Action dated Nov. 20, 2018 in U.S. Appl. No. 15/650,686.
- USPTO; Notice of Allowance dated Jun. 24, 2019 in U.S. Appl. No. 15/650,686.
- USPTO; Non-Final Office Action dated Sep. 21, 2018 in U.S. Appl. No. 15/659,631.

(56)

References Cited

OTHER PUBLICATIONS

- USPTO; Notice of Allowance dated Feb. 21, 2019 in U.S. Appl. No. 15/659,631.
- USPTO; Non-Final Office Action dated Aug. 9, 2018 in U.S. Appl. No. 15/660,805.
- USPTO; Non-Final Office Action dated Mar. 1, 2019 in U.S. Appl. No. 15/660,805.
- USPTO; Non-Final Office Action dated Aug. 27, 2018 in U.S. Appl. No. 15/662,107.
- USPTO; Notice of Allowance dated Feb. 21, 2019 in U.S. Appl. No. 15/662,107.
- USPTO; Non-Final Office Action dated Dec. 4, 2018 in U.S. Appl. No. 15/672,063.
- USPTO; Notice of Allowance dated Mar. 20, 2019 in U.S. Appl. No. 15/672,063.
- USPTO; Non-Final Office Action dated Feb. 8, 2019 in U.S. Appl. No. 15/672,119.
- USPTO; Final Office Action dated Jul. 16, 2019 in U.S. Appl. No. 15/672,119.
- USPTO; Non-Final Office Action dated Jul. 27, 2018 in U.S. Appl. No. 15/673,110.
- USPTO; Notice of Allowance dated Jan. 9, 2019 in U.S. Appl. No. 15/673,110.
- USPTO; Non-Final Office Action dated Apr. 25, 2018 in U.S. Appl. No. 15/673,278.
- USPTO; Notice of Allowance dated May 6, 2019 in U.S. Appl. No. 15/673,278.
- USPTO; Non-Final Office Action dated Jan. 18, 2018 in U.S. Appl. No. 15/683,701.
- USPTO; Notice of Allowance dated Jan. 9, 2019 in U.S. Appl. No. 15/683,701.
- USPTO; Final Office Action dated Aug. 24, 2018 in U.S. Appl. No. 15/683,701.
- USPTO; Advisory Action dated Nov. 26, 2018 in U.S. Appl. No. 15/683,701.
- USPTO; Non-Final Office Action dated Dec. 18, 2018 in U.S. Appl. No. 15/690,017.
- USPTO; Non-Final Office Action dated Aug. 9, 2018 in U.S. Appl. No. 15/691,241.
- USPTO; Non-Final Office Action dated Mar. 19, 2019 in U.S. Appl. No. 15/691,241.
- USPTO; Final Office Action dated Jan. 11, 2019 in U.S. Appl. No. 15/691,241.
- USPTO; Non-Final Office Action dated Dec. 6, 2018 in U.S. Appl. No. 15/705,955.
- USPTO; Notice of Allowance dated Apr. 16, 2019 in U.S. Appl. No. 15/705,955.
- USPTO; Non-Final Office Action dated Feb. 11, 2019 in U.S. Appl. No. 15/707,786.
- USPTO; Non-Final Office Action dated Jun. 14, 2018 in U.S. Appl. No. 15/711,989.
- USPTO; Notice of Allowance dated Dec. 6, 2018 in U.S. Appl. No. 15/711,989.
- USPTO; Non-Final Office Action dated May 29, 2018 in U.S. Appl. No. 15/719,208.
- USPTO; Final Office Action dated Dec. 13, 2018 in U.S. Appl. No. 15/719,208.
- USPTO; Non-Final Office Action dated Jun. 25, 2019 in U.S. Appl. No. 15/719,208.
- USPTO; Non-Final Office Action dated Oct. 4, 2018 in U.S. Appl. No. 15/726,222.
- USPTO; Notice of Allowance dated Apr. 19, 2019 in U.S. Appl. No. 15/726,222.
- USPTO; Non-Final Office Action dated Apr. 19, 2018 in U.S. Appl. No. 15/726,959.
- USPTO; Final Office Action dated Nov. 14, 2018 in U.S. Appl. No. 15/726,959.
- USPTO; Non-Final Office Action dated May 17, 2018 in U.S. Appl. No. 15/729,485.
- USPTO; Notice of Allowance dated Jan. 23, 2019 in U.S. Appl. No. 15/729,485.
- USPTO; Non-Final Office Action dated Nov. 28, 2018 in U.S. Appl. No. 15/795,056.
- USPTO; Final Office Action dated Apr. 19, 2019 in U.S. Appl. No. 15/795,056.
- USPTO; Non-Final Office Action dated Jun. 26, 2018 in U.S. Appl. No. 15/796,593.
- USPTO; Final Office Action dated Feb. 21, 2019 in U.S. Appl. No. 15/796,593.
- USPTO; Non-Final Office Action dated Dec. 26, 2017 in U.S. Appl. No. 15/798,120.
- USPTO; Notice of Allowance dated Jun. 13, 2018 in U.S. Appl. No. 15/798,120.
- USPTO; Non-Final Office Action dated Dec. 21, 2018 in U.S. Appl. No. 15/798,150.
- USPTO; Notice of Allowance dated May 14, 2019 in U.S. Appl. No. 15/798,150.
- USPTO; Non-Final Office Action dated Aug. 9, 2018 in U.S. Appl. No. 15/798,201.
- USPTO; Final Office Action dated Dec. 14, 2018 in U.S. Appl. No. 15/798,201.
- USPTO; Non-Final Office Action dated Jul. 2, 2018 in U.S. Appl. No. 15/815,483.
- USPTO; Final Office Action dated Mar. 7, 2019 in U.S. Appl. No. 15/815,483.
- USPTO; Non-Final Office Action dated Sep. 26, 2018 in U.S. Appl. No. 15/832,188.
- USPTO; Notice of Allowance dated Dec. 5, 2017 in U.S. Appl. No. 15/832,188.
- USPTO; Non-Final Office Action dated Sep. 10, 2018 in U.S. Appl. No. 15/836,547.
- USPTO; Non-Final Office Action dated Mar. 13, 2019 in U.S. Appl. No. 15/836,547.
- USPTO; Non-Final Office Action dated Jul. 23, 2018 in U.S. Appl. No. 15/863,340.
- USPTO; Notice of Allowance dated Dec. 10, 2018 in U.S. Appl. No. 15/863,340.
- USPTO; Non-Final Office Action dated Jan. 11, 2019 in U.S. Appl. No. 15/879,209.
- USPTO; Non-Final Office Action dated Jan. 22, 2019 in U.S. Appl. No. 15/879,209.
- USPTO; Non-Final Office Action dated Apr. 17, 2019 in U.S. Appl. No. 15/886,225.
- USPTO; Non-Final Office Action dated Nov. 15, 2018 in U.S. Appl. No. 15/890,037.
- USPTO; Final Office Action dated May 2, 2019 in U.S. Appl. No. 15/890,037.
- USPTO; Notice of Allowance dated Feb. 8, 2019 in U.S. Appl. No. 15/892,756.
- USPTO; Non-Final Office Action dated Apr. 24, 2019 in U.S. Appl. No. 15/896,986.
- USPTO; Non-Final Office Action dated May 30, 2019 in U.S. Appl. No. 15/900,425.
- USPTO; Non-Final Office Action dated Mar. 8, 2019 in U.S. Appl. No. 15/917,224.
- USPTO; Non-Final Office Action dated Feb. 8, 2019 in U.S. Appl. No. 15/917,262.
- USPTO; Final Office Action dated Jun. 14, 2019 in U.S. Appl. No. 15/917,262.
- USPTO; Non-Final Office Action dated May 8, 2019 in U.S. Appl. No. 15/925,532.
- USPTO; Non-Final Office Action dated Mar. 29, 2019 in U.S. Appl. No. 15/940,801.
- USPTO; Notice of Allowance dated May 31, 2019 in U.S. Appl. No. 15/957,565.
- USPTO; Non-Final Office Action dated Apr. 19, 2019 in U.S. Appl. No. 15/985,298.
- USPTO; Non-Final Office Action dated Feb. 21, 2019 in U.S. Appl. No. 15/987,755.
- USPTO; Non-Final Office Action dated Jul. 16, 2019 in U.S. Appl. No. 16/014,981.

(56)

References Cited

OTHER PUBLICATIONS

- USPTO; Non-Final Office Action dated Jan. 24, 2019 in U.S. Appl. No. 16/018,692.
- USPTO; Notice of Allowance dated Apr. 9, 2019 in U.S. Appl. No. 16/026,711.
- USPTO; Non-Final Office Action dated Apr. 25, 2019 in U.S. Appl. No. 16/038,024.
- USPTO; Non-Final Office Action dated Apr. 2, 2019 in U.S. Appl. No. 16/147,047.
- USPTO; Notice of Allowance dated Apr. 17, 2019 in U.S. Appl. No. 16/171,098.
- USPTO; Notice of Allowance dated May 1, 2019 in U.S. Appl. No. 16/171,098.
- USPTO; Non-Final Office Action dated Apr. 2, 2019 in U.S. Appl. No. 16/188,690.
- USPTO; Notice of Allowance dated Jun. 13, 2019 in U.S. Appl. No. 16/396,475.
- USPTO; Notice of Allowance dated May 14, 2012 in U.S. Appl. No. 29/411,637.
- USPTO; Notice of Allowance dated Oct. 2, 2013 in U.S. Appl. No. 29/412,887.
- USPTO; Non-Final Office Action dated Mar. 16, 2015 in U.S. Appl. No. 29/447,298.
- USPTO; Notice of Allowance dated Jul. 6, 2015 in U.S. Appl. No. 29/447,298.
- USPTO; Notice of Allowance dated Dec. 19, 2013 in U.S. Appl. No. 29/448,094.
- USPTO; Notice of Allowance dated Nov. 26, 2014 in U.S. Appl. No. 29/481,301.
- USPTO; Notice of Allowance dated Feb. 17, 2015 in U.S. Appl. No. 29/481,308.
- USPTO; Notice of Allowance dated Jan. 12, 2015 in U.S. Appl. No. 29/481,312.
- USPTO; Notice of Allowance dated Apr. 30, 2015 in U.S. Appl. No. 29/481,315.
- USPTO; Notice of Allowance dated May 11, 2015 in U.S. Appl. No. 29/511,011.
- USPTO; Notice of Allowance dated May 11, 2015 in U.S. Appl. No. 29/514,153.
- USPTO; Notice of Allowance dated Dec. 14, 2015 in U.S. Appl. No. 29/514,264.
- USPTO; Notice of Allowance dated Jun. 16, 2017 in U.S. Appl. No. 29/570,711.
- USPTO; Non-Final Office Action dated Apr. 16, 2019 in U.S. Appl. No. 29/604,101.
- USPTO; Notice of Allowance dated Jun. 26, 2018 in U.S. Appl. No. 29/604,288.
- USPTO; Non-Final Office Action dated Feb. 20, 2019 in U.S. Appl. No. 29/646,377.
- WIPO; International Search Report and Written Opinion dated Nov. 16, 2017 in Application No. PCT/IB2017/001015.
- WIPO; International Search Report and Written Opinion dated Nov. 13, 2017 in Application No. PCT/IB2017/001050.
- WIPO; International Search Report and Written Opinion dated Nov. 30, 2017 in Application No. PCT/IB2017/001070.
- WIPO; International Search Report and Written Opinion dated Jan. 25, 2018 in Application No. PCT/IB2017/001262.
- WIPO; International Search Report and Written Opinion dated Sep. 14, 2018 in Application No. PCT/IB2017/001640.
- WIPO; International Search Report and Written Opinion dated Jun. 1, 2018 in Application No. PCT/IB2017/001644.
- WIPO; International Search Report and Written Opinion dated Nov. 6, 2018 in Application No. PCT/IB2017/001652.
- WIPO; International Search Report and Written Opinion dated Jun. 1, 2018 in Application No. PCT/IB2017/001656.
- WIPO; International Search Report and Written Opinion dated Jan. 25, 2019 in Application No. PCT/IB2018/000192.
- WIPO; International Search Report and Written Opinion dated Jul. 9, 2018 in Application No. PCT/IB2018/000419.
- WIPO; International Search Report and Written Opinion dated Jan. 4, 2019 in Application No. PCT/IB2018/000936.
- WIPO; International Search Report and Written Opinion dated Dec. 20, 2018 in Application No. PCT/IB2018/001003.
- WIPO; International Search Report and Written Opinion dated Dec. 20, 2018 in Application No. PCT/IB2018/001022.
- WIPO; International Search Report and Written Opinion dated May 23, 2019 in Application No. PCT/IB2019/050974.
- WIPO; International Preliminary Report on Patentability dated Nov. 24, 2009 and International Search Report dated Jul. 31, 2008 in Application No. PCT/US2008/063919.
- WIPO; International Preliminary Report on Patentability dated Feb. 24, 2010 in Application No. PCT/US2008/074063.
- WIPO; International Preliminary Report on Patentability dated Nov. 26, 2009 in Application No. PCT/US2009/043454.
- WIPO; International Preliminary Report on Patentability dated Jun. 14, 2011 in Application No. PCT/US2009/066377.
- WIPO; International Search report and Written Opinion dated Nov. 12, 2010 in Application No. PCT/US2010/030126.
- WIPO; International Preliminary Report on Patentability dated Oct. 11, 2011 Application No. PCT/US2010/030126.
- WIPO; International Preliminary Report on Patentability dated Nov. 9, 2011 in Application No. PCT/US2010/033244.
- WIPO; International Preliminary Report on Patentability dated Nov. 9, 2011 in Application No. PCT/US2010/033248.
- WIPO; International Preliminary Report on Patentability dated Nov. 9, 2011 in Application No. PCT/US2010/033252.
- WIPO; International Search report and Written Opinion dated Jan. 20, 2011 in Application No. PCT/US2010/045368.
- WIPO; International Search report and Written Opinion dated Feb. 6, 2013 in Application No. PCT/US2012/065343.
- WIPO; International Search report and Written Opinion dated Feb. 13, 2013 in Application No. PCT/US2012/065347.
- Arita et al. "Electrical and optical properties of germanium-doped zinc oxide thin films" *Materials Transactions*, vol. 45, No. 11, pp. 3180-3183 (2004).
- Arnold et al., "Novel single-layer vanadium sulphide phases" *2D Materials*, 5, 045009, 11 pages (2018).
- Athavale et al., "Realization of Atomic Layer Etching of Silicon", *Journal of Vacuum Science and Technology B*, vol. 14, pp. 3702-3705 (1996).
- Bearzotti, et al., "Fast Humidity Response of a Metal Halide-Doped Novel Polymer," *Sensors and Actuators B*, 7, pp. 451-454, (1992).
- Becker et al., "Atomic Layer Deposition of Insulating Hafnium and Zirconium Nitrides," *Chem. Mater.*, 16, 3497-3501 (2004).
- Beynet et al. "Low temperature plasma-enhanced ALD enables cost-effective spacer defined double patterning," *Proceedings of SPIE*, 7520, (2009).
- Bhatnagar et al., "Copper Interconnect Advances to Meet Moore's Law Milestones," *Solid State Technology*, 52, 10 (2009).
- Boscher et al., "Atmosphere Pressure Chemical Vapour Deposition of NbSe₂ Thin Films on Glass" *Eur. J. Inorg. Chem.*, pp. 1255-1259 (2006).
- Buriak, "Organometallic Chemistry on Silicon and Germanium Surfaces," *Chemical Reviews*, 102, 5 (2002).
- Cant et al., "Chemisorption Sites on Porous Silica Glass and on Mixed-Oxide Catalysis," *Can. J. Chem.* 46, 1373 (1968).
- Carmalt et al., "Chemical Vapor Deposition of Niobium Disulfide Thin Films" *Eur. J. Inorg. Chem.*, pp. 4470-4476 (2004).
- Casey et al. "Chemical Vapor Deposition of Mo onto Si" *J. Electrochem. Soc.: Solid State Science*, 114 (2), pp. 201-204 (1967).
- Chang et al. "Small-Subthreshold-Swing and Low-Voltage Flexible Organic Thin-Film Transistors Which Use HfLaO as the Gate Dielectric," *IEEE Electron Device Letters*, Feb. 2009, pp. 133-135; vol. 30, No. 2; IEEE Electron Device Society.
- Chatterjee et al., "Sub-100nm Gate Length Metal Gate NMOS Transistors Fabricated by a Replacement by a Replacement Gate Process," *IEEE Semiconductor Process and Device Center*, 821-824 (1997).
- Chen et al., "A Self-Aligned Airgap Interconnect Scheme," *IEEE International Interconnect Technology Conference*, vol. 1-3, 146-148 (2009).

(56)

References Cited

OTHER PUBLICATIONS

- Chen et al., "Develop Gap-fill Process of Shallow Trench Isolation in 450mm Wafer by Advanced Flowable CVD Technology for Sub-20nm Node," 2016 27th Annual Semi Advanced Semiconductor Manufacturing Conference (ASMC), IEEE, May 16, 2016, pp. 157-159 (2016).
- Cheng et al., "Effect of carrier gas on the structure and electric properties of low dielectric constant SiCOH film using trimethylsilane prepared by plasma enhanced chemical vapor deposition," *Thin Solid Films* vol. 469-470, pp. 178-183 (2004).
- Choi et al., "Improvement of Silicon Direct Bonding using Surfaces Activated by Hydrogen Plasma Treatment," *Journal of the Korean Physical Society*, 37, 6, 878-881 (2000).
- Choi et al., "Low Temperature Formation of Silicon Oxide Thin Films by Atomic Layer Deposition Using NH₃/O₂ Plasma," *ECS Solid State Letters*, 2(12) P114-P116 (2013).
- Coates, "Process Analytical Technology: Spectroscopic Tools and Implementation Strategies for the Chemical and Pharmaceutical Industries." Blackwell Publishing Ltd, 91-132, (2005).
- Conroy et al., "The Preparation and Properties of Single Crystals of the 1S and 2S Polymorphs of Tantalum Disulfide" *J. Solid State Chemistry*, 4, pp. 345-350 (1972).
- Crowell, "Chemical methods of thin film deposition: Chemical vapor deposition, atomic layer deposition, and related technologies," *Journal of Vacuum Science & Technology A* 21.5, (2003): S88-S95.
- Cui et al., "Impact of Reductive N₂/H₂ Plasma on Porous Low-Dielectric Constant SiCOH Thin Films," *Journal of Applied Physics* 97, 113302, 1-8 (2005).
- De Silva et al., "Inorganic Hardmask Development For Extreme Ultraviolet Patterning," *Journal of Micro/Nanolithography, MEMS, and MOEMS* 18(1) (2018).
- Dingemans et al., "Comparison Between Aluminum Oxide Surface Passivation Films Deposited with Thermal Aid," *Plasma Aid and Pevcd*, 35th IEEE PVCS, Jun. 2010.
- Drummond et al., "Hydrophobic Radiofrequency Plasma-Deposited Polymer Films: Dielectric Properties and Surface Forces," *Colloids and Surfaces A*, 129-130, 117-129 (2006).
- Duffey et al., "Raman Scattering from 1T-TaS₂" *Solid State Communications* 20, pp. 617-621.
- Easley et al., "Thermal Isolation of Microchip Reaction Chambers for Rapid Non-Contact DNA Amplification," *J. Micromech. Microeng.* 17, 1758-1766 (2007).
- Elam et al., "New Insights into Sequential Infiltration Synthesis", *ECS Transactions*, vol. 69, pp. 147-157 (2015).
- Elers et al. "Film Uniformity in Atomic Layer Deposition," *Chemical Vapor Deposition*, 12, pp. 13-24 (2006).
- Fu et al., "Controlled Synthesis of Atomically Thin 1T-TaS₂ for Tunable Charge Density Wave Phase Transitions" *Chem. Mater.* 28, pp. 7613-7618 (2016).
- Ge et al., "Carbon Nanotube-Based Synthetic Gecko Tapes," *Department of Polymer Science, PNAS*, 10792-10795 (2007).
- George et al., "Atomic Layer Deposition: An Overview," *Chem. Rev.* 110, 111-131 (2010).
- Gesheva et al. "Composition and Microstructure of Black Molybdenum Photothermal Converter Layers Deposited by the Pyrolytic Hydrogen Reduction of MoO₂C₁₂" *Thin Solid Films*, 79, pp. 39-49 (1981).
- Gole et al. "Preparation of Nickel Sulfide Thin Films and Nanocrystallites Using Nickel Furfuraldehyde Thiosemicarbazone as Single-source Precursor," *Advanced Materials Research*, vols. 383-390, pp. 3828-3834 (2012).
- Grill et al., "The Effect of Plasma Chemistry on the Damage Induced Porous SiCOH Dielectrics," *IBM Research Division, RC23683 (W0508-008)*, *Materials Science*, 1-19 (2005).
- Guan et al., "Voltage gated ion and molecule transport in engineered nanochannels: theory, fabrication and applications," *Nanotechnology* 25 (2014) 122001.
- Gupta et al., "Charge carrier transport and electroluminescence in atomic layer deposited poly-GaN/c-Si heterojunction diodes," *Journal of Applied Physics*, 124, 084503 (2018).
- Gupta et al., "Conversion of Metal Carbides to Carbide Derived Carbon by Reactive Ion Etching in Halogen Gas," *Proceedings of SPIE—The International Society for Optical Engineering and Nanotechnologies for Space Applications*, ISSN: 0277-786X (2006).
- Habib et al. "Atmospheric oxygen plasma activation of silicon (100) surfaces," *American Vacuum Society*, 28(3), pp. 476-485 (2010).
- Han et al., "van der Waals Metallic Transition Metal Dichalcogenides" *Chem. Rev.* 118, pp. 6297-6336 (2018).
- Harrison et al., "Poly-gate Replacement Through Contact Hole (PRETCH): A New Method for High-K/ Metal Gate and Multi-Oxide Implementation on Chip," *IEEE* (2004).
- Heo et al., "Structural Characterization of Nanoporous Low-Dielectric Constant SiCOH Films Using Organosilane Precursors," *NSTI-Nanotech*, vol. 4, 122-123 (2007).
- Henke et al., "X-Ray Interactions: Photo absorption, Scattering, Transmission, and Reflection at E = 50-30,000 eV, Z = 1-92," *Atomic Data and Nuclear Data Tables*, 54, 181-342 (1993).
- Heyne et al., "The conversion mechanism of amorphous silicon to stoichiometric W52" *J. Materials. Chemistry C*, 6, pp. 4122-4130 (2018).
- Hossain et al., "Recent Advances in Two-Dimensional Materials with Charge Density Waves: Synthesis, Characterization and Applications" *Crystals* 7, 298, 19 pages (2017).
- Hudis, "Surface Crosslinking of Polyethylene Using a Hydrogen Glow Discharge," *J. Appl. Polym. Sci.*, 16 (1972) 2397.
- Johansson et al. "Towards absolute asymmetric synthesis. Synthesis and crystal structure of stereochemically labile MCl₂ (M=Co, Ni, Cu, Zn) complexes with diamine ligands," *Inorganica Chimica. Acta* 358, pp. 3293-3302 (2005).
- Jones et al., "Growth of Aluminum Films by Low Pressure Chemical Vapour Deposition Using Tertiarybutylaluminium," *Journal of Crystal Growth* 135, pp. 285-289, Elsevier Science B.V. (1994).
- Jones et al., "Recent Developments in Metalorganic Precursors for Metalorganic Chemical Vapour Deposition," *Journal of Crystal Growth* 146, pp. 503-510, Elsevier Science B.V. (1995).
- Jung et al., "Double Patterning of Contact Array with Carbon Polymer," *Proc. Of SPIE*, 6924, 69240C, 1-10 (2008).
- Jung et al. "New Mechanisms for Ozone-Based ALO Growth of High-k Dielectrics via Nitrogen-Oxygen Species" *ECS Transactions*, 33(2), pp. 91-99 (2010).
- Kern et al., "Chemically Vapor-Deposited Borophosphosilicate Glasses for Silicon Device Applications" *RCE Review*, 43, 3, pp. 423-457 (1982).
- Kerrigan et al. "Low Temperature, Selective Atomic Layer Deposition of Cobalt Metal Films Using Bis(1,4-di-tert-butyl-1,3-diazadienyl)cobalt and Alkylamine Precursors," *Chem. Materials*, 29, pages 7458-7466 (2017).
- Kim et al., "Passivation Effect on Low-k S/OC Dielectrics by H₂ Plasma Treatment," *Journal of the Korean Physical Society*, "40, 1, 94-98 (2002).
- Kim et al., "Characteristics of Low Temperature High Quality Silicon Oxide by Plasma Enhanced Atomic Layer Deposition with In-Situ Plasma Densification Process," *The Electrochemical Society, ECS Transactions*, College of Information and Communication Engineering, Sungkyunkwan University, 53(1), 321-329 (2013).
- Kim et al., "Novel Flowable CVD Process Technology for sub-20nm Interlayer Dielectrics," *IEEE International Interconnect Technology Conference (IITC 2012)*, San Jose, California, USA, Jun. 4-6, 2012, pp. 1-3 (2012).
- King, Plasma. Enhanced Atomic Layer Deposition of SiN_x: H and SiO₂, *J. Vac. Sci. Technol.*, A29(4) (2011).
- Klug et al., "Atomic Layer Deposition of Amorphous Niobium Carbide-Based Thin Film Superconductors," *The Journal of Physical Chemistry C*, vol. 115, pp. 25063-25071, (2011).
- Kobayshi, et al., "Temperature Dependence of SiO₂ Film Growth with Plasma-Enhanced Atomic Layer Deposition," regarding *Thin Solid Films*, published by Elsevier in the *International Journal on the Science and Technology of Condensed Matter*, in vol. 520, No. 11, 3994-3998 (2012).

(56)

References Cited

OTHER PUBLICATIONS

- Kogelschatz et al. "Ozone Generation from Oxygen and Air: Discharge Physics And Reaction Mechanisms" *Ozone Science & Engineering*, 10, pp. 367-378 (1998).
- Koo et al., "Characteristics of Al₂O₃ Thin Films Deposited Using Dimethylaluminum Isopropoxide and Trimethylaluminum Precursors by the Plasma-Enhanced Atomic-Layer Deposition Method," *Journal of Physical Society*, 48, 1, 131-136 (2006).
- Koutsokeras et al. "Texture and Microstructure Evolution in Single-Phase Ti_xTa_{1-x}N Alloys of Rocksalt Structure," *Journal of Applied Physics*, 110, pp. 043535-1-043535-6, (2011).
- Knoops et al., "Atomic Layer Deposition of Silicon Nitride from Bis(tert-butyloamino) silane and N₂ Plasma," *Applied Materials & Interfaces*, American Chemical Society, A-E (2015).
- Krenek et al. "IR Laser CVD of Nanodisperse Ge-Si-Sn Alloys Obtained by Dielectric Breakdown of GeH₄/SiH₄/SnH₄ Mixtures", *NanoCon 2014*, Nov. 5-7, Brno, Czech Republic, EU.
- Kukli et al., "Influence of atomic layer deposition parameters on the phase content of Ta₂O₅ films" *J. Crystal Growth*, 212, pp. 459-468 (2000).
- Kukli et al., "Properties of hafnium oxide films grown by atomic layer deposition from hafnium tetraiodide and oxygen". *Journal of Applied Physics*, vol. 92, No. 10, Nov. 15, 2002, pp. 5698-5703.
- Kukli et al. "Properties of tantalum oxide thin films grown by atomic layer deposition" *Thin Solid Films*, 260, pp. 135-142 (1995).
- Kurosawa et al., "Synthesis and Characterization of Plasma-Polymerized Hexamethyldisiloxane Films," *Thin Solid Films*, 506-507, 176-179 (2006).
- Kwon et al., "Substrate Selectivity of (tBu-Allyl)Co(CO)₃ during Thermal Atomic Layer Deposition of Cobalt," *Chem. Materials*, 24, pp. 1025-1030 (2012).
- Lanford et al., "The Hydrogen Content of Plasmadeposited Silicon Nitride," *J. Appl. Phys.*, 49, 2473 (1978).
- Lee et al., "Characteristics Of Low- K Sioc Films Deposited Via Atomic Layer Deposition," *Thin Solid Films* 645, pp. 334-339 (2018).
- Lee et al., Layer Selection by Multi-Level Permutation in 3-D Stacked NAND Flash Memory, *IEEE Electron Device Letters*, vol. 37, No. 7, 866-869 (2016).
- Levy et al., "Reflow Mechanisms of Contact Vias in VLSI Processing" *J. Electrochem. Soc.: Solid-State Science and Technology*, 133, 7, pp. 1417-1424 (1986).
- Li et al., "Metallic Transition-Metal Dichalcogenide Nanocatalysts for Energy Conversion" *Chem.* 4, pp. 1510-1537 (2018).
- Liang et al. "Conversion of Metal Carbides to Carbide Derived Carbon by Reactive Ion Etching in Halogen Gas" *Micro (MEMS) and Nanotechnologies for Space Applications*, Thomas George et al. vol. 6223, 2006 p. 62230J-I to 62230J-11 lines 3-14 in the "Abstract" section and lines 7-9 in the "Introduction" section of p. 1, lines 3-4 in the "Introduction" section and lines 3-4 in the "Experimental Procedure" section of p. 2.
- Lieberman, et al., "Principles of Plasma Discharges and Materials Processing," Second Edition, 368-381 (2005).
- Lim et al., "Low-Temperature Growth of SiO₂ Films by Plasma-Enhanced Atomic Layer Deposition," *ETRI Journal*, 27 (1), 118-121 (2005).
- Lim et al. "Synthesis and Characterization of Volatile, Thermally Stable, Reactive Transition Metal Amidinates," *Inorg. Chem.*, 42, pp. 7951-7958 (2003).
- Liu et al., "Research, Design, and Experiment of End Effector for Wafer Transfer Robot," *Industrial Robot: An International Journal*, 79-91 (2012).
- Liu et al., "Van der Waals metal-semiconductor junction: Weak Fermi level pinning enables effective tuning of Schottky barrier" *Sci. Adv.* 2: e1600069, 7 pages (2016).
- Longrie et al., "Plasma-Enhanced ALD of Platinum with O₂, N₂ and NH₃ Plasmas", *ECS Journal of Solid State Science and Technology*, vol. 1, pp. Q123-Q129 (2012).
- Mackenzie et al. "Stress Control of Si-Based PEVCD Dielectrics," *Proc. Symp. Silicon Nitride and Silicon Dioxide Thin Insulating Films & Other Emerging Dielectrics VIII*, 148-159 (2005).
- Mackus et al., "Optical Emission Spectroscopy as a Tool for Studying Optimizing and Monitoring Plasma-Assisted Atomic Layer Deposition Processes," *Journal of Vacuum Science and Technology*, 77-87 (2010).
- Maeno, "Gecko Tape Using Carbon Nanotubes," *Nitto Denko Gihou*, 47, 48-51 (2009).
- Maeng et al. Electrical properties of atomic layer disposition HfO₂ and HfO_xNy on Si substrates with various crystal orientations, *Journal of the Electrochemical Society*, Apr. 2008, p. H267-H271, vol. 155, No. 4, Department of Materials Science and Engineering, Pohang University of Science and Technology, Pohang, Korea.
- Makela et al. "Thermal Atomic Layer Deposition of Continuous and Highly Conducting Gold Thin. Films," *Chem. Materials*, 29, pp. 6130-6136 (2017).
- Marsik et al., "Effect of Ultraviolet Curing Wavelength on Low-k Dielectric Material Properties and Plasma Damage Resistance," *Sciencedirect.com*, 519, 11, 3619-3626 (2011).
- Mason et al., "Hydrolysis of Tri-tert-butylaluminum: The First Structural Characterization of Alkylalumoxanes [(R₂Al)₂O]_n and (RAIO)_n," *J. American Chemical Society*, vol. 115, No. 12, pp. 4971-4984 (1993).
- Massachusetts Institute of Technology Lincoln Laboratory, "Solid State Research," *Quarterly Technical Report* (1995).
- Mattinen et al., "Crystalline tungsten sulfide thin films by atomic layer deposition and mild annealing" *J. Vac. Sci. Tech.* 37, 020921, 35 pages (2019).
- Maydannik et al., "Spatial atomic layer deposition: Performance of low temperature H₂O and O₃oxidant chemistry for flexible electronics encapsulation", *Journal of Vacuum Science and Technology: Part A AVS/ AIP*, vol. 33 (1901).
- Meng et al., "Atomic Layer of Deposition of Silicon Nitride Thin Films: A Review of Recent Progress, Challenges, and Outlooks," *Materials*, 9, 1007 (2016).
- Mix et al., "Characterization of plasma-polymerized allyl alcohol polymers and copolymers with styrene," *Adhes. Sci. Technol.*, 21 (2007), S. 487-507.
- Moeen, "Design, Modelling and Characterization of Si/SiGe Structures for IR Bolometer Applications," *KTH Royal Institute of Technology. Information and Communication Technology, Department of Integrated Devices and Circuits, Stockholm Sweden* (2015).
- Morishige et al., "Thermal Desorption and Infrared Studies of Ammonia Amines and Pyridines Chemisorbed on Chromic Oxide," *J. Chem. Soc., Faraday Trans. 1*, 78, 2947-2957 (1982).
- Mosleh et al., "Enhancement of Material Quality of (Si)GeSn Films Grown by SnC₁₄ Precursor," *ECS Transactions*, 69 (5), 279-285 (2015).
- Mukai et al., "A Study of CD Budget in Spacer Patterning Technology," *Proc. Of SPIE*, 6924, 1-8 (2008).
- Nakano et al., "Layer-by-Layer Epitaxial Growth of Scalable WSe₂ on Sapphire by Molecular Beam Epitaxy" *Nano. Lett.* 17, pp. 5595-5599 (2017).
- Ngo et al. "Atomic layer deposition of photoactive CoO/SrTiO₃ and CoO/TiO₂ on Si(001) for visible light driven photoelectrochemical water oxidation," *J. Applied Physics*, 114, 9 pages (2013).
- Nogueira et al., "Production of Highly Hydrophobic Films Using Low Frequency and High Density Plasma," *Revista Brasileira de Aplicacoes de Vacuo*, 25(1), 45-53 (2006).
- Novaro et al. Theoretical Study on a Reaction Pathway of Ziegler-Natta-Type Catalysis, *J. Chem. Phys.* 68(5), Mar. 1, 1978 p. 2337-2351.
- Ohchi et al. "Reducing damage to Si substrates during gate etching processes." *Japanese Journal of Applied Physics* 47.7R 5324 (2008).
- Okamoto et al., "Luminescent Properties of Pr³⁺—sensitized LaPO₄:Gd³⁺ Ultraviolet-B Phosphor Under Vacuum-Ultraviolet Light Excitation," *J. App. Phys.* 106, 013522 (2009).
- Park, "Substituted Aluminum Metal Gate on High-K Dielectric for Low Work-Function and Fermi-Level Pinning Free," 4 pages, *IEEE 0/7803-8684-1/04* (2004).

(56)

References Cited

OTHER PUBLICATIONS

- Portet et al., "Impact of Synthesis Conditions on Surface Chemistry and Structure of Carbide-Derived Carbons," *Thermochimica Acta*, 497, 137-142 (2010).
- Potts et al., "Low Temperature Plasma-Enhanced Atomic Layer Deposition of metal Oxide Thin Films," *Journal of the Electrochemical Society*, 157, 66-74 (2010).
- Potts et al., "Room-Temperature ALD of Metal Oxide Thin Films by Energy-Enhanced ALD", *Chemical Vapor Deposition*, vol. 19, pp. 125-133 (2013).
- Presser, et al., "Effect of Pore Size on Carbon Dioxide Sorption by Carbide Derived Carbon," *Energy & Environmental Science* 4.8, 3059-3066 (2011).
- Provine et al., "Correlation of Film Density and Wet Etch Rate in Hydrofluoric Acid of Plasma Enhanced Atomic Layer Deposited Silicon Nitride," *AIP Advances*, 6 (2016).
- Radamson et al. "Growth of Sn-alloyed Group IV Materials for Photonic and Electronic Applications" Chapter 5 pp. 129-144, *Manufacturing Nano Structures* (2014).
- Ryu et al., "Persistent Charge-Density-Wave Order in Single-Layer TaSe₂" *Nano. Lett.* 18, pp. 689-694 (2018).
- Sakuma et al., "Highly Scalable Horizontal Channel 3-D NAND Memory Excellent in Compatibility with Conventional Fabrication Technology," *IEEE Electron Device Letters*, vol. 34, No. 9, 1142-1144 (2013).
- Salim, "In-situ Fourier Transform Infrared Spectroscopy of Chemistry and Growth in Chemical Vapor Deposition," *Massachusetts Institute of Technology*, 187 pages (1995).
- Salim et al., "In Situ Concentration Monitoring in a Vertical OMVPE Reactor by Fiber-Optics-Based Fourier Transform Infrared Spectroscopy," *Journal of Crystal Growth* 169, pp. 443-449, Elsevier Science B.V. (1996).
- Samal et al., "Low-Temperature (<200° C) Plasma Enhanced Atomic Deposition of Dense Titanium Nitride Thin Films" (2012).
- Sanders et al., "Crystalline and electronic structure of single-layer TaS₂" *Phys. Rev. B*. 94, 081404, 6 pages (2016).
- Schindler, Dissertation, Next Generation High-k Dielectrics for DRAM Produced by Atomic Layer Deposition Studied by Transmission Electron Microscopy (2015).
- Schmatz et al., "Unusual Isomerization Reactions in 1,3-Diaza-2-Silyclopentanes," *Organometallics*, 23, 1180-1182 (2004).
- Sellers, Making Your Own Timber Dogs, Paul Sellers blog, Published on Nov. 18, 2014, [online], [site visited Jun. 10, 2017]. Available from Internet, <URL: <https://paulsellers.com/2014/11/making-your-own-timber-dogs/>>.
- Selvaraj et al., "Selective Atomic Layer Deposition of Zirconia on Copper Patterned Silicon Substrates Using Ethanol as Oxygen Source as Well as Copper Reductant," *J. Vac. Sci. Technol. A*32(1), (2014).
- Selvaraj et al., "Surface Selective Atomic Layer Deposition of Hafnium Oxide for Copper Diffusion Barrier Application Using Tetrakis (diethylamino) Hafnium and Ethanol," 225th ECS Meeting, Meeting Abstract, (May 12, 2014).
- Seshadri et al., "Ultrathin Extreme Ultraviolet Patterning Stack Using Polymer Brush As an Adhesion Promotion Layer," *Journal of Micro/Nanolithography, MEMS, and MOEMS* 16(3) (2017).
- Shamma et al., "PDL Oxide Enabled Doubling," *Proc. Of SPIE*, 6924, 69240D, 1-10 (2008).
- Simchi et al., "Sulfidation of 2D transition metals (Mo, W, Re, Nb, Ta); thermodynamics, processing, and characterization" *J. Materials Science* 52: 17, 9 pages (2017).
- Stanley et al. "Feedgas for Modern High-Performance Ozone Generators" Ozonia Ltd., Duebendorf, Switzerland. 7 pages. Available Jul. 14, 2017 online at: http://www.degremont-technologies.com/cms_medias/pdf/tech_ozonia_feedgas.pdf (1999).
- Svetin et al., "Three-dimensional resistivity and switching between correlated electronic states in 1T-TaS₂" *Nature, Scientific Reports* Apr. 12, 2017, 7:46048, 10 pages (2017).
- Tatehaba et al., "Adhesion Energy of Polystyrene and Substrate in Function Water," 5th International Symposium of Cleaning Technology in Semiconductor Device Manufacturing, pp. 560-565 (1998).
- Todi et al., "Characterization of Pt-Ru Binary Alloy Thin Films for Work Function Tuning," *IEEE Electron Device Letters*, vol. 27, No. 7, pp. 542-545 (2006).
- Tseng et al., "Etch Properties of Resists Modified by Sequential Infiltration Synthesis," *American Vacuum Society* (2011).
- Tseng et al., "Enhanced Block Copolymer Lithography Using Sequential Infiltration Synthesis," *Journal of Physical Chemistry*, vol. 5, 17725-17729 (2011).
- Ueda et al. "Enhanced Sidewall Grown (ESG) process: towards PEALD with conformality above 100%," *Extended Abstracts of the 2011 International Conference on Solid State Devices and Materials*, Nagoya, pp. 34-35 (2011).
- Varma, et al., "Effect of Metal Halides on Thermal, Mechanical, and Electrical Properties of Polypyromelitimide Films," *Journal of Applied Polymer Science*, vol. 32, pp. 3987-4000, (1986).
- Vasilev, "Borophosphosilicate Glass Films in Silicon Microelectronics, Part 1: Chemical Vapor Deposition, Composition, and Properties" *Russian Microelectronics*, vol. 33, No. 5, pp. 271-284 (2004).
- Voltaix, "Material Safety Data Sheet for: Trisilylamine", pp. 1-8, (2014).
- Wang et al., "Tritertialbutylaluminum as an Organometallic Source for Epitaxial Growth of AlGaSb," *Appl. Phys. Lett.* 67 (10), Sep. 4, pp. 1384-1386, American Institute of Physics (1995).
- Wirths, et al, "SiGeSn Growth studies Using Reduced Pressure Chemical Vapor Deposition Towards Optoelectronic Applications," *This Soid Films*, 557, 183-187 (2014).
- Xing et al., "Ising Superconductivity and Quantum Phase Transition in Macro-Size Monolayer NbSe₂" *Nano. Lett.* 17, pp. 6802-6807 (2017).
- Xu et al., "14NM Metal Gate Film Stack Development and Challenges," *SMIC et al.* (2016).
- Xu et al., "Contacts between Two- and Three- Dimensional Materials: Ohmic, Schottky, and p-n Heterojunctions" *ACS Nano* 10, pp. 4895-4919 (2016).
- Yoshida, et al., Threshold Voltage Tuning for 10NM and Beyond CMOS Integration, *Solid State Technology*, 57(7): 23-25 (2014).
- Yu et al., "Modulation of the Ni FUSI Workfunction by Yb Doping: from Midgap to N-Type Band-Edge," 4 pages, *IEEE 0-7803-9269-8/05* (2005).
- Yuan et al., "Facile Synthesis of Single Crystal Vanadium Disulfide Nanosheets by Chemical Vapor Deposition for Efficient Hydrogen Evolution Reaction" *Adv. Mater.* 27, pp. 5605-5609 (2015).
- Yun et al., "Behavior of Various Organosilicon Molecules in PECVD Processes for Hydrocarbon-Doped Silicon Oxide Films," *Solid State Phenomena*, vol. 124-126, 347-350 (2007).
- Yun et al., "Comparison of Atomic Scale Etching of Poly-Si in Inductively Coupled Ar and He Plasmas", *Korean Journal of Chemical Engineering*, vol. 24, 670-673 (2007).
- Yun et al., "Single-Crystalline Si Stacked Array (STAR) NAND Flash Memory," *IEEE Transactions on Electron Devices*, vol. 58, No. 4, 1006-1014 (2011).
- Yun et al., "Effect of Plasma on Characteristics of Zirconium Oxide Films Deposited by Plasma-Enhanced Atomic Layer Deposition," *Electrochemical and Solid State Letters*, 8(11) F47-F50 (2005).
- Yushin et al., "Carbon-Derived Carbon," Department of Materials Science and Engineering, Taylor & Francis Group, LLC (2006).
- Zhou et al., "A library of atomically thin metal chalcogenides" *Nature* 556, pp. 355-361 (2018).
- Chemistry Stack Exchange, "Why is CF₄ Non-Polar and CHF₃ Polar," <https://chemistry.stackexchange.com/questions/31604/why-is-cf4-non-polar-and-chf3-polar>, (2015).
- Crystal IS "Application Note: Using UV Reflective Materials to Maximize Disinfection"; AN011; Jun. 16, 2016.
- "Polyurethane_HF"; webpage; no date. Cited in Notice of References dated May 18, 2017 in U.S. Appl. No. 14/884,695.
- Scientific and Technical Information Center EIC 2800 Search Report dated Feb. 16, 2012.
- EPO; Notice of Allowance dated Oct. 16, 2019 in Application No. 09836647.9.

(56)

References Cited

OTHER PUBLICATIONS

- KIPO; Notice of Allowance dated Sep. 27, 2019 in Application No. 10-2012-7004062.
- KIPO; Office Action dated Nov. 27, 2019 in Application No. 10-2013-0050740.
- KIPO; Office Action dated Nov. 12, 2019 in Application No. 10-2013-0102026.
- KIPO; Notice of Allowance dated Oct. 21, 2019 in Application No. 10-2013-0109390.
- KIPO; Notice of Allowance dated Oct. 28, 2019 in Application No. 10-2013-0121554.
- KIPO; Notice of Allowance dated Nov. 29, 2019 in Application No. 10-2019-0127773.
- TIPO; Office Action dated Nov. 6, 2019 in Application No. 105101537.
- TIPO; Office Action dated Oct. 1, 2019 in Application No. 105114105.
- TIPO; Office Action dated Oct. 3, 2019 in Application No. 105119533.
- TIPO; Office Action dated Oct. 28, 2019 in Application No. 105122715.
- USPTO; Non-Final Office Action dated Oct. 31, 2019 in U.S. Appl. No. 14/457,058.
- USPTO; Advisory Action dated Oct. 28, 2019 in U.S. Appl. No. 14/508,489.
- USPTO; Notice of Allowance dated Nov. 14, 2019 in U.S. Appl. No. 14/793,323.
- USPTO; Final Office Action dated Oct. 24, 2019 in U.S. Appl. No. 15/135,258.
- USPTO; Advisory Action dated Oct. 22, 2019 in U.S. Appl. No. 15/205,827.
- USPTO; Non-Final Office Action dated Nov. 7, 2019 in U.S. Appl. No. 15/377,439.
- USPTO; Final Office Action dated Sep. 18, 2019 in U.S. Appl. No. 15/380,921.
- USPTO; Non-Final Office Action dated Oct. 24, 2019 in U.S. Appl. No. 15/402,993.
- USPTO; Notice of Allowance dated Oct. 7, 2019 in U.S. Appl. No. 15/489,453.
- USPTO; Non-Final Office Action dated Oct. 3, 2019 in U.S. Appl. No. 15/491,726.
- USPTO; Advisory Action dated Sep. 20, 2019 in U.S. Appl. No. 15/589,861.
- USPTO; Final Office Action dated Nov. 12, 2019 in U.S. Appl. No. 15/636,307.
- USPTO; Notice of Allowance dated Nov. 7, 2019 in U.S. Appl. No. 15/660,797.
- USPTO; Non-Final Office Action dated Oct. 10, 2019 in U.S. Appl. No. 15/672,096.
- USPTO; Advisory Action dated Sep. 23, 2019 in U.S. Appl. No. 15/672,119.
- USPTO; Non-Final Office Action dated Nov. 20, 2019 in U.S. Appl. No. 15/690,017.
- USPTO; Notice of Allowance dated Nov. 7, 2019 in U.S. Appl. No. 15/707,786.
- USPTO; Non-Final Office Action dated Sep. 26, 2019 in U.S. Appl. No. 15/727,432.
- USPTO; Non-Final Office Action dated Nov. 20, 2019 in U.S. Appl. No. 15/795,056.
- USPTO; Non-Final Office Action dated Nov. 15, 2019 in U.S. Appl. No. 15/802,154.
- USPTO; Final Office Action dated Nov. 13, 2019 in U.S. Appl. No. 15/860,564.
- USPTO; Advisory Action dated Nov. 5, 2019 in U.S. Appl. No. 15/879,209.
- USPTO; Non-Final Office Action dated Oct. 24, 2019 in U.S. Appl. No. 15/890,037.
- USPTO; Final Office Action dated Nov. 19, 2019 in U.S. Appl. No. 15/896,986.
- USPTO; Non-Final Office Action dated Jul. 25, 2019 in U.S. Appl. No. 16/039,867.
- USPTO; Notice of Allowance dated Oct. 3, 2019 in U.S. Appl. No. 16/200,100.
- USPTO; Non-Final Office Action dated Sep. 24, 2019 in U.S. Appl. No. 16/251,534.
- USPTO; Notice of Allowance dated Oct. 30, 2019 in U.S. Appl. No. 29/604,101.
- USPTO; Final Office Action dated Jul. 15, 2019 in U.S. Appl. No. 29/646,377.
- USPTO; Notice of Allowance dated Nov. 14, 2019 in U.S. Appl. No. 29/646,377.
- Ellis et al. "Nitrous Oxide (N₂O) Processing for Silicon Oxynitride Gate Dielectrics." IBM Journal of Research and Development. 1999. 43[3]. pp. 287-300. (1999).
- Hayashi et al. "Spectroscopic properties of nitrogen doped hydrogenated amorphous carbon films grown by radio frequency plasma-enhanced chemical vapor deposition," Journal of Applied Physics. vol. 89, No. 12, pp. 7924-7931 (2001).
- Miller et al. "Carbon nitrides: synthesis and characterization of a new class of functional materials," Phys.Chem.Chem.Phys., 19, pp. 15613-15638 (2017).
- Ohtsu et al. "Influences of Gap Distance on Plasma Characteristics in Narrow Gap Capacitatively Coupled Radio-Frequency Discharge," vol. 43, No. 2, pp. 795-799 (2004).
- CNIPA; Office Action dated Jan. 21, 2020 in Application No. 201610028064.1.
- CNIPA; Office Action dated Feb. 28, 2020 in Application No. 201610897958.4.
- EPO; Extended European Search Report dated Mar. 3, 2020 in Application No. 19205558.0.
- KIPO; Office Action dated Feb. 28, 2020 in Application No. 10-2013-0049598.
- KIPO; Notice of Allowance dated Feb. 27, 2020 in Application No. 10-2013-0089998.
- KIPO; Notice of Allowance dated Mar. 4, 2020 in Application No. 10-2013-0114079.
- KIPO; Office Action dated Mar. 30, 2020 in Application No. 10-2014-0011764.
- KIPO; Office Action dated Mar. 11, 2020 in Application No. 10-2014-0103853.
- KIPO; Office Action dated Feb. 12, 2020 in Application No. 10-2020-7000992.
- TIPO; Notice of Allowance dated Feb. 20, 2020 in Application No. 102125191.
- TIPO; Office Action dated Jan. 17, 2020 in Application No. 104108277.
- TIPO; Notice of Allowance dated Jan. 15, 2020 in Application No. 105114105.
- TIPO; Notice of Allowance dated Mar. 13, 2020 in Application No. 105119533.
- TIPO; Office Action dated Jan. 17, 2020 in Application No. 105122586.
- TIPO; Office Action dated Jan. 17, 2020 in Application No. 107127688.
- TIPO; Office Action dated Dec. 24, 2019 in Application No. 108105002.
- TIPO; Office Action dated Feb. 3, 2020 in Application No. 108114221.
- TIPO; Notice of Allowance dated Mar. 12, 2020 in Application No. 108129100.
- USPTO; Final Office Action dated Feb. 20, 2020 in U.S. Appl. No. 14/444,744.
- USPTO; Non-Final Office Action dated Mar. 5, 2020 in U.S. Appl. No. 14/508,489.
- USPTO; Final Office Action dated Mar. 3, 2020 in U.S. Appl. No. 14/829,565.
- USPTO; Notice of Allowance dated Mar. 5, 2020 in U.S. Appl. No. 15/060,412.
- USPTO; Advisory Action dated Mar. 31, 2020 in U.S. Appl. No. 15/286,503.
- USPTO; Final Office Action dated Feb. 19, 2020 in U.S. Appl. No. 15/402,993.
- USPTO; Advisory Action dated Apr. 2, 2020 in U.S. Appl. No. 15/402,993.
- USPTO; Notice of Allowance dated Feb. 28, 2020 in U.S. Appl. No. 15/589,849.
- USPTO; Non-Final Office Action dated Mar. 10, 2020 in U.S. Appl. No. 15/611,707.
- USPTO; Notice of Allowance dated Feb. 28, 2020 in U.S. Appl. No. 15/615,489.

(56)

References Cited

OTHER PUBLICATIONS

- USPTO; Non-Final Office Action dated Mar. 11, 2020 in U.S. Appl. No. 15/636,307.
- USPTO; Final Office Action dated Mar. 27, 2020 in U.S. Appl. No. 15/672,096.
- USPTO; Advisory Action dated Mar. 16, 2020 in U.S. Appl. No. 15/726,959.
- USPTO; Non-Final Office Action dated Apr. 3, 2020 in U.S. Appl. No. 15/726,959.
- USPTO; Notice of Allowance dated Mar. 12, 2020 in U.S. Appl. No. 15/795,056.
- USPTO; Final Office Action dated Mar. 19, 2020 in U.S. Appl. No. 15/798,201.
- USPTO; Final Office Action dated Mar. 11, 2020 in U.S. Appl. No. 15/802,154.
- USPTO; Advisory Action dated Mar. 25, 2020 in U.S. Appl. No. 15/815,483.
- USPTO; Non-Final Office Action dated Mar. 17, 2020 in U.S. Appl. No. 15/835,328.
- USPTO; Non-Final Office Action dated Feb. 20, 2020 in U.S. Appl. No. 15/835,352.
- USPTO; Non-Final Office Action dated Mar. 30, 2020 in U.S. Appl. No. 15/860,564.
- USPTO; Non-Final Office Action dated Mar. 20, 2020 in U.S. Appl. No. 15/861,418.
- USPTO; Final Office Action dated Feb. 26, 2020 in U.S. Appl. No. 15/890,037.
- USPTO; Non-Final Office Action dated Mar. 24, 2020 in U.S. Appl. No. 15/896,986.
- USPTO; Notice of Allowance dated Mar. 27, 2020 in U.S. Appl. No. 15/897,578.
- USPTO; Final Office Action dated Mar. 12, 2020 in U.S. Appl. No. 15/923,834.
- USPTO; Final Office Action dated Feb. 19, 2020 in U.S. Appl. No. 15/940,759.
- USPTO; Notice of Allowance dated Mar. 12, 2020 in U.S. Appl. No. 15/949,990.
- USPTO; Non-Final Office Action dated Apr. 2, 2020 in U.S. Appl. No. 15/974,948.
- USPTO; Notice of Allowance dated Apr. 3, 2020 in U.S. Appl. No. 15/985,261.
- USPTO; Non-Final Office Action dated Apr. 1, 2020 in U.S. Appl. No. 15/997,445.
- USPTO; Non-Final Office Action dated Mar. 3, 2020 in U.S. Appl. No. 16/000,109.
- USPTO; Advisory Action dated Apr. 3, 2020 in U.S. Appl. No. 16/000,125.
- USPTO; Non-Final Office Action dated Mar. 4, 2020 in U.S. Appl. No. 16/036,692.
- USPTO; Advisory Action dated Feb. 28, 2020 in U.S. Appl. No. 16/038,024.
- USPTO; Notice of Allowance dated Mar. 23, 2020 in U.S. Appl. No. 16/038,024.
- USPTO; Notice of Allowance dated Apr. 3, 2020 in U.S. Appl. No. 16/039,867.
- USPTO; Non-Final Office Action dated Feb. 20, 2020 in U.S. Appl. No. 16/105,745.
- USPTO; Non-Final Office Action dated Feb. 24, 2020 in U.S. Appl. No. 16/105,761.
- USPTO; Non-Final Office Action dated Mar. 19, 2020 in U.S. Appl. No. 16/105,802.
- USPTO; Non-Final Office Action dated Mar. 16, 2020 in U.S. Appl. No. 16/116,708.
- USPTO; Non-Final Office Action dated Feb. 28, 2020 in U.S. Appl. No. 16/137,974.
- USPTO; Final Office Action dated Mar. 2, 2020 in U.S. Appl. No. 16/158,077.
- USPTO; Final Office Action dated Mar. 17, 2020 in U.S. Appl. No. 16/161,744.
- USPTO; Notice of Allowance dated Mar. 5, 2020 in U.S. Appl. No. 16/167,225.
- USPTO; Non-Final Office Action dated Feb. 19, 2020 in U.S. Appl. No. 16/242,829.
- USPTO; Advisory Action dated Apr. 3, 2020 in U.S. Appl. No. 16/251,534.
- USPTO; Notice of Allowance dated Apr. 15, 2020 in U.S. Appl. No. 16/317,774.
- USPTO; Non-Final Office Action dated Mar. 2, 2020 in U.S. Appl. No. 16/356,394.
- USPTO; Notice of Allowance dated Mar. 30, 2020 in U.S. Appl. No. 16/417,938.
- USPTO; Final Office Action dated Jan. 10, 2020 in U.S. Appl. No. 16/674,894.
- WIPO; International Search Report and Written Opinion dated Apr. 17, 2019 in Application No. PCT/NL2018/050787.
- WIPO; International Search Report and Written Opinion dated Apr. 29, 2019 in Application No. PCT/NL2018/050791.
- Rossing et al. "Acoustics of Eastern and Western bells, Old and New" J of Acoustical Society of Japan; 10(5); pp. 241-252 (1989).
- CNIPA; Notice of Allowance dated May 22, 2020 in Application No. 201610028064.1.
- CNIPA; Office Action dated Mar. 26, 2020 in Application No. 201610131743.1.
- CNIPA; Office Action dated May 18, 2020 in Application No. 201610982040.X.
- CNIPA; Office Action dated May 29, 2020 in Application No. 201710131319.1.
- CNIPA; Office Action dated Jun. 1, 2020 in Application No. 201710173292.2.
- CNIPA; Notice of Allowance dated May 14, 2020 in Application No. 201930615780.4.
- CNIPA; Notice of Allowance dated Apr. 27, 2020 in Application No. 201930660355.7.
- CNIPA; Notice of Allowance dated Jun. 2, 2020 in Application No. 202030048819.1.
- CNIPA; Notice of Allowance dated May 15, 2020 in Application No. 202030053560.X.
- CNIPA; Notice of Allowance dated May 20, 2020 in Application No. 202030053634.X.
- KIPO; Notice of Allowance dated Apr. 23, 2020 in Application No. 10-2013-0050740.
- KIPO; Office Action dated Jun. 19, 2020 in Application No. 10-2013-0098575.
- KIPO; Notice of Allowance dated May 14, 2020 in Application No. 10-2013-0102026.
- KIPO; Office Action dated May 21, 2020 in Application No. 10-2014-0086902.
- KIPO; Office Action dated May 21, 2020 in Application No. 10-2014-0091092.
- KIPO; Office Action dated Apr. 22, 2020 in Application No. 10-2020-0009462.
- TIPO; Notice of Allowance dated May 4, 2020 in Application No. 105101536.
- TIPO; Office Action dated Apr. 14, 2020 in Application No. 105129977.
- TIPO; Office Action dated Mar. 17, 2020 in Application No. 105130130.
- TIPO; Office Action dated Feb. 21, 2020 in Application No. 108120947.
- USPTO; Advisory Action dated Apr. 24, 2020 in U.S. Appl. No. 14/219,839.
- USPTO; Advisory Action dated Apr. 24, 2020 in U.S. Appl. No. 14/219,879.
- USPTO; Non-Final Office Action dated Apr. 28, 2020 in U.S. Appl. No. 14/444,744.
- USPTO; Final Office Action dated May 15, 2020 in U.S. Appl. No. 14/457,058.
- USPTO; Advisory Action dated Jun. 22, 2020 in U.S. Appl. No. 14/829,565.
- USPTO; Final Office Action dated Jun. 1, 2020 in U.S. Appl. No. 15/135,258.

(56)

References Cited

OTHER PUBLICATIONS

- USPTO; Non-Final Office Action dated Apr. 16, 2020 in U.S. Appl. No. 15/286,503.
- USPTO; Final Office Action dated May 13, 2020 in U.S. Appl. No. 15/377,439.
- USPTO; Non-Final Office Action dated May 27, 2020 in U.S. Appl. No. 15/402,993.
- USPTO; Final Office Action dated Apr. 17, 2020 in U.S. Appl. No. 15/491,726.
- USPTO; Final Office Action dated Jun. 16, 2020 in U.S. Appl. No. 15/636,307.
- USPTO; Notice of Allowance dated May 20, 2020 in U.S. Appl. No. 15/672,096.
- USPTO; Final Office Action dated May 27, 2020 in U.S. Appl. No. 15/690,017.
- USPTO; Advisory Action dated Jun. 19, 2020 in U.S. Appl. No. 15/691,241.
- USPTO; Advisory Action dated May 26, 2020 in U.S. Appl. No. 15/798,201.
- USPTO; Advisory Action dated May 19, 2020 in U.S. Appl. No. 15/802,154.
- USPTO; Non-Final Office Action dated Apr. 24, 2020 in U.S. Appl. No. 15/815,483.
- USPTO; Final Office Action dated Jun. 11, 2020 in U.S. Appl. No. 15/861,418.
- USPTO; Advisory Action dated Jun. 5, 2020 in U.S. Appl. No. 15/890,037.
- USPTO; Final Office Action dated Jun. 15, 2020 in U.S. Appl. No. 15/896,986.
- USPTO; Non-Final Office Action dated May 1, 2020 in U.S. Appl. No. 15/917,224.
- USPTO; Advisory Action dated May 15, 2020 in U.S. Appl. No. 15/923,834.
- USPTO; Non-Final Office Action dated May 1, 2020 in U.S. Appl. No. 15/925,532.
- USPTO; Advisory Action dated Apr. 23, 2020 in U.S. Appl. No. 15/940,759.
- USPTO; Final Office Action dated Apr. 30, 2020 in U.S. Appl. No. 15/962,980.
- USPTO; Non-Final Office Action dated May 15, 2020 in U.S. Appl. No. 15/974,988.
- USPTO; Non-Final Office Action dated Jun. 12, 2020 in U.S. Appl. No. 15/985,539.
- USPTO; Non-Final Office Action dated Feb. 20, 2020 in U.S. Appl. No. 15/996,286.
- USPTO; Non-Final Office Action dated Jun. 5, 2020 in U.S. Appl. No. 16/000,125.
- USPTO; Non-Final Office Action dated Apr. 22, 2020 in U.S. Appl. No. 16/000,156.
- USPTO; Non-Final Office Action dated May 7, 2020 in U.S. Appl. No. 16/004,041.
- USPTO; Notice of Allowance dated Jun. 24, 2020 in U.S. Appl. No. 16/014,981.
- USPTO; Notice of Allowance dated May 26, 2020 in U.S. Appl. No. 16/036,692.
- USPTO; Non-Final Office Action dated Apr. 30, 2020 in U.S. Appl. No. 16/055,532.
- USPTO; Non-Final Office Action dated May 27, 2020 in U.S. Appl. No. 16/100,012.
- USPTO; Final Office Action dated Jun. 23, 2020 in U.S. Appl. No. 16/105,745.
- USPTO; Final Office Action dated Apr. 21, 2020 in U.S. Appl. No. 16/105,761.
- USPTO; Final Office Action dated Jun. 26, 2020 in U.S. Appl. No. 16/105,802.
- USPTO; Non-Final Office Action dated Jun. 22, 2020 in U.S. Appl. No. 16/128,282.
- USPTO; Non-Final Office Action dated Apr. 21, 2020 in U.S. Appl. No. 16/130,798.
- USPTO; Final Office Action dated Jun. 5, 2020 in U.S. Appl. No. 16/132,142.
- USPTO; Advisory Action dated Jun. 9, 2020 in U.S. Appl. No. 16/158,077.
- USPTO; Notice of Allowance dated Jun. 19, 2020 in U.S. Appl. No. 16/161,744.
- USPTO; Non-Final Office Action dated May 29, 2020 in U.S. Appl. No. 16/205,899.
- USPTO; Final Office Action dated Jun. 19, 2020 in U.S. Appl. No. 16/219,555.
- USPTO; Final Office Action dated Jun. 15, 2020 in U.S. Appl. No. 16/242,829.
- USPTO; Notice of Allowance dated May 29, 2020 in U.S. Appl. No. 16/245,006.
- USPTO; Non-Final Office Action dated Apr. 24, 2020 in U.S. Appl. No. 16/251,534.
- USPTO; Non-Final Office Action dated May 27, 2020 in U.S. Appl. No. 16/252,567.
- USPTO; Non-Final Office Action dated Apr. 16, 2020 in U.S. Appl. No. 16/255,639.
- USPTO; Non-Final Office Action dated Jun. 30, 2020 in U.S. Appl. No. 16/258,187.
- USPTO; Notice of Allowance dated May 21, 2020 in U.S. Appl. No. 16/280,964.
- USPTO; Notice of Allowance dated Apr. 16, 2020 in U.S. Appl. No. 16/427,288.
- USPTO; Non-Final Office Action dated May 12, 2020 in U.S. Appl. No. 16/454,063.
- USPTO; Notice of Allowance dated Apr. 17, 2020 in U.S. Appl. No. 16/455,406.
- USPTO; Non-Final Office Action dated Jun. 11, 2020 in U.S. Appl. No. 16/598,768.
- USPTO; Notice of Allowance dated Apr. 21, 2020 in U.S. Appl. No. 16/674,894.
- USPTO; Non-Final Office Action dated Apr. 13, 2020 in U.S. Appl. No. 16/833,279.
- USPTO; Notice of Allowance dated Jun. 10, 2020 in U.S. Appl. No. 29/615,000.
- USPTO; Non-Final Office Action dated Apr. 24, 2020 in U.S. Appl. No. 29/726,623.
- Chatterjee et al. "Chemical Vapor Deposition of Boron Nitride Nanosheets on Metallic Substrates via Decaborane/Ammonia Reactions", *Chem. Mater.* 23, pp. 4414-4416 (2011).
- Fallica et al., "Dynamic Absorption Coefficients of Chemically Amplified Resists And Nonchemically Amplified Resists At Extreme Ultraviolet", *J. Micro/Nanolith. MEMS MOEMS* 15(3), pp. 033506-1-033506-7 (2016).
- Glass et al. "The Chemical Vapor Deposition of Metal Boride Thin Films from Polyhedral Cluster Species", Winter and Hoffman, *Inorganic Materials Synthesis. ACS Symposium Series; American Chemical Society: Washington DC, Chapter 10*, pp. 130-143 (1999).
- Jensen et al. "Titanium, Zirconium, and Hafnium Tetrahydroborates as "Tailored" CVD Precursors for Metal Diboride Thin Films", *J. Am. Chem. Soc.* 110, pp. 1643-1644 (1988).
- Kliem et al. "Silyl Group Migrations Between Oxygen and Nitrogen in Aminosiloxanes"; *Organosilicon Chemistry VI: from Molecules to Materials*; pp. 216-221 (2005).
- Lewis et al. "Hawley's Condensed Chemical Dictionary" 12th Edition; excerpt pp. 1027-1038 (2005).
- Roddy, "Transport Reactions and Vaporization Studies of Some Vanadium Halides", Iowa State university of Science and Technology dissertation, 207 pages (1962).
- Spear et al., "Chemical Transport Reactions in the Vanadium-Silicon-Oxygen System and the Ternary Phase Diagram", *Journal of the Less-Common Metals*, 14, pp. 69-75 (1968).
- Su et al. "A Polymer Precursor Route to Metal Borides", *Chem. Mater.*, 5, pp. 1659-1668 (1993).
- CNIPA; Notice of Allowance dated Sep. 3, 2019 in Application No. 201610141027.1.
- CNIPA; Notice of Allowance dated Sep. 30, 2010 in Application No. 201510765170.3.
- CNIPA; Office Action dated Jul. 23, 2019 in Application No. 201610897958.4.

(56)

References Cited

OTHER PUBLICATIONS

EPO; Notice of Allowance dated Aug. 1, 2019 in Application No. 09767208.3.
JPO; Office Action dated Aug. 29, 2019 in Application No. 2016001928.
KIPO; Notice of Allowance dated Jul. 5, 2019 in Application No. 10-2012-0064526.
KIPO; Notice of Allowance dated Aug. 29, 2019 in Application No. 10-2013-0036823.
KIPO; Office Action dated Aug. 27, 2019 in Application No. 10-2013-0049598.
KIPO; Office Action dated Aug. 27, 2019 in Application No. 10-2013-0089998.
KIPO; Notice of Allowance dated Oct. 8, 2019 in Application No. 10-2013-0101944.
KIPO; Office Action dated Aug. 15, 2019 in Application No. 10-2013-0109390.
KIPO; Office Action dated Oct. 7, 2019 in Application No. 10-2013-0114079.
KIPO; Notice of Allowance dated Aug. 26, 2019 in Application No. 10-2014-7017110.
KIPO; Final Office Action dated Jun. 17, 2019 in Application No. 10-2017-7023740.
TIPO; Office Action dated Aug. 16, 2019 in Application No. 102136496.
TIPO; Notice of Allowance dated Jul. 10, 2019 in Application No. 103123439.
TIPO; Notice of Allowance dated Sep. 27, 2019 in Application No. 104105533.
TIPO; Notice of Allowance dated Sep. 23, 2019 in Application No. 104105965.
TIPO; Notice of Allowance dated Oct. 4, 2019 in Application No. 104122889.
TIPO; Notice of Allowance dated Jul. 19, 2019 in Application No. 104122890.
TIPO; Office Action dated Jul. 5, 2019 in Application No. 105112363.
TIPO; Office Action dated Sep. 9, 2019 in Application No. 105115513.
TIPO; Notice of Allowance dated Sep. 20, 2019 in Application No. 106138800.
TIPO; Office Action dated Aug. 27, 2019 in Application No. 107116804.
TIPO; Office Action dated Jun. 28, 2019 in Application No. 108102948.
USPTO; Non-Final Office Action dated Aug. 19, 2019 in U.S. Appl. No. 13/184,351.
USPTO; Advisory Action dated Feb. 12, 2016 in U.S. Appl. No. 13/651,144.
USPTO; Advisory Action dated Dec. 29, 2016 in U.S. Appl. No. 13/651,144.
USPTO; Non-Final Office Action dated Sep. 18, 2019 in U.S. Appl. No. 13/651,144.
USPTO; Advisory Action dated Jun. 26, 2015 in U.S. Appl. No. 13/791,246.
USPTO; Notice of Allowance dated Apr. 22, 2016 in U.S. Appl. No. 14/172,220.
USPTO; Non-Final Office Action dated Aug. 8, 2019 in U.S. Appl. No. 14/188,760.
USPTO; Notice of Allowance dated Aug. 19, 2016 in U.S. Appl. No. 14/268,348.
USPTO; Non-Final Office Action dated Aug. 8, 2019 in U.S. Appl. No. 14/444,744.
USPTO; Advisory Action dated Nov. 6, 2015 in U.S. Appl. No. 14/457,058.
USPTO; Notice of Allowance dated Aug. 16, 2017 in U.S. Appl. No. 14/606,364.
USPTO; Notice of Allowance dated Aug. 15, 2019 in U.S. Appl. No. 14/645,234.
USPTO; Non-Final Office Action dated Sep. 19, 2019 in U.S. Appl. No. 14/829,565.
USPTO; Final Office Action dated Jun. 10, 2016 in U.S. Appl. No. 14/987,420.

USPTO; Notice of Allowance dated Mar. 26, 2018 in U.S. Appl. No. 15/144,481.
USPTO; Final Office Action dated Aug. 9, 2019 in U.S. Appl. No. 15/205,827.
USPTO; Non-Final Office Action dated Aug. 5, 2019 in U.S. Appl. No. 15/262,990.
USPTO; Advisory Action dated Jul. 29, 2019 in U.S. Appl. No. 15/402,993.
USPTO; Notice of Allowance dated Aug. 14, 2019 in U.S. Appl. No. 15/410,503.
USPTO; Final Office Action dated Aug. 20, 2019 in U.S. Appl. No. 14/508,489.
USPTO; Notice of Allowance dated Aug. 21, 2019 in U.S. Appl. No. 15/592,730.
USPTO; Notice of Allowance dated Sep. 11, 2019 in U.S. Appl. No. 15/598,169.
USPTO; Non-Final Office Action dated Sep. 4, 2019 in U.S. Appl. No. 15/615,489.
USPTO; Non-Final Office Action dated Jul. 29, 2019 in U.S. Appl. No. 15/660,797.
USPTO; Notice of Allowance dated Aug. 22, 2019 in U.S. Appl. No. 15/660,805.
USPTO; Final Office Action dated Jul. 26, 2019 in U.S. Appl. No. 15/690,017.
USPTO; Final Office Action dated Aug. 12, 2019 in U.S. Appl. No. 15/707,786.
USPTO; Non-Final Office Action dated Jul. 8, 2019 in U.S. Appl. No. 15/726,959.
USPTO; Final Office Action dated Jul. 31, 2019 in U.S. Appl. No. 15/795,056.
USPTO; Non-Final Office Action dated Oct. 2, 2019 in U.S. Appl. No. 15/798,201.
USPTO; Non-Final Office Action dated Aug. 20, 2019 in U.S. Appl. No. 15/815,483.
USPTO; Notice of Allowance dated Aug. 16, 2019 in U.S. Appl. No. 15/836,547.
USPTO; Non-Final Office Action dated Jul. 31, 2019 in U.S. Appl. No. 15/860,564.
USPTO; Final Office Action dated Aug. 21, 2019 in U.S. Appl. No. 15/879,209.
USPTO; Notice of Allowance dated Sep. 23, 2019 in U.S. Appl. No. 15/886,225.
USPTO; Non-Final Office Action dated Sep. 19, 2019 in U.S. Appl. No. 15/897,578.
USPTO; Final Office Action dated Aug. 28, 2019 in U.S. Appl. No. 15/917,224.
USPTO; Notice of Allowance dated Aug. 30, 2019 in U.S. Appl. No. 15/917,262.
USPTO; Non-Final Office Action dated Jul. 22, 2019 in U.S. Appl. No. 15/940,759.
USPTO; Notice of Allowance dated Aug. 26, 2019 in U.S. Appl. No. 15/940,801.
USPTO; Notice of Allowance dated Aug. 22, 2019 in U.S. Appl. No. 15/985,298.
USPTO; Notice of Allowance dated Jul. 31, 2019 in U.S. Appl. No. 15/987,755.
USPTO; Non-Final Office Action dated Jul. 29, 2019 in U.S. Appl. No. 16/000,125.
USPTO; Final Office Action dated Aug. 23, 2019 in U.S. Appl. No. 16/018,692.
USPTO; Non-Final Office Action dated Aug. 7, 2019 in U.S. Appl. No. 16/024,390.
USPTO; Notice of Allowance dated Jul. 10, 2019 in U.S. Appl. No. 16/046,218.
USPTO; Final Office Action dated Sep. 25, 2019 in U.S. Appl. No. 16/147,047.
USPTO; Non-Final Office Action dated Aug. 6, 2019 in U.S. Appl. No. 16/158,077.
USPTO; Final Office Action dated Sep. 26, 2019 in U.S. Appl. No. 16/188,690.
USPTO; Non-Final Office Action dated Aug. 29, 2019 in U.S. Appl. No. 16/161,744.

(56)

References Cited

OTHER PUBLICATIONS

USPTO; Non-Final Office Action dated Aug. 16, 2019 in U.S. Appl. No. 16/167,225.

USPTO; Non-Final Office Action dated Aug. 19, 2019 in U.S. Appl. No. 16/208,062.

USPTO; Non-Final Office Action dated Sep. 16, 2019 in U.S. Appl. No. 16/213,702.

USPTO; Non-Final Office Action dated Aug. 21, 2019 in U.S. Appl. No. 29/634,768.

WIPO; International Search Report and Written Opinion dated Jun. 28, 2019 in Application No. PCT/IB2019/000084.

Bark et al. "Large-area niobium disulfide thin films as transparent electrodes for devices based on two-dimensional materials," *Nanoscale*, published online, 7 pages (2012).

Barreca et al. "Cobalt oxide nanomaterials by vapor phase synthesis for fast and reversible lithium storage" *J Phys Chem C*, 114, 10054-10060 (2010).

Basuvalingam et al. "NS-WeA6—Low Temperature ALD for Phase-controlled Synthesis of 2D Transition Metal (M=Ti, Nb) di-(MX₂) and Tri-(MX₃) Sulfides," AVS 19th International Conference on Atomic Layer Deposition (Ald 2019), Jul. 22, 2019, Abstract, 1 page (2019).

Cahiez et al. "Cobalt-Catalyzed cross coupling reaction between functionalized primary and secondary alkyl halides and aliphatic grignard reagents" *Adv. Synth. Catal*, 350, 1484-1488 (2008).

"Fiji F200 200mm Thermal/Plasma ALD Systems: Installation and Use Manual." CAW-02635 Rev. 0.6 (Mar. 13, 2012). Cambridge NanoTech Inc. pp. 1-164 (2012).

Ge et al. "Large-scale synthesis of NbS₂ nanosheets with controlled orientation on graphene by ambient pressure CVD," *Nanoscale*, vol. 5, 5773-5778 (2013).

Gordon et al. "A Kinetic Model for Step Coverage by Atomic Layer Deposition in Narrow Holes or Trenches." *Chemical Vapor Deposition*. 9 [2]. pp. 73-78 (2003).

Hansen. "A Primer on Vacuum Pressure Measurement." *Vacuum Technology & Coating*. Jun. 2009. pp. 36-42 (2009).

Hansen. "Speed, Pressure and Throughput: Part 1 System Diagnostics." *Vacuum Technology & Coating*. Sep. 2011. pp. 14-17 (2011).

Hansen. "Speed, Pressure and Throughput: Part 2 Managing Gas Flow in High Vacuum Systems." *Vacuum Technology & Coating*. Oct. 2011. pp. 19-22 (2011).

Hansen. "Speed, Pressure and Throughput: Part 3 Automating the Pressure Control Process." *Vacuum Technology & Coating*. Nov. 2011. pp. 22-25 (2011).

Hansen. "Speed, Pressure and Throughput: Part 4 Outgassing and Base Pressure." *Vacuum Technology & Coating*. Dec. 2011. pp. 22-25 (2011).

Hansen. "Speed, Pressure and Throughput: Part 5 Leaks and Gas Flow in Leak Detection." *Vacuum Technology & Coating*. Jan. 2012. pp. 18-21 (2011).

Khandelwal et al. "Low-temperature Ar/N₂ remote plasma nitridation of SiO₂ thin films," *J. Vacuum Science & Technology A*, 20(6), pp. 1989-1996 (2002).

Kucheyev et al. "Mechanisms of Atomic Layer Deposition on Substrates with Ultrahigh Aspect Ratios." *Langmuir*. 24 [3]. pp. 943-948 (2008).

Londergan et al. "Engineered Low Resistivity Titanium-Tantalum Nitride Films by Atomic Layer Deposition," *Mat. Res. Soc. Symp. Proc.*, vol. 714E, pp. L5.3.1-L5.3.6 (2001).

Naito et al. "Electrical Transport Properties in 2H-NbS₂, -NbSe₂, -TaS₂ and -TaSe₂," *J. of Physical Society of Japan*, vol. 51, No. 1, 219-227 (1982).

Pichler. "Intrinsic Point Defects, Impurities and Their Diffusion in Silicon," *Springer-Verlag Wien*, p. 367 (2004).

Tidman et al. "Resistivity of thin TaS₂ crystals," *Can. J. Phys.*, vol. 54, 2306-2309 (1976).

Trumbore et al. "Solid solubilities of aluminum and gallium in germanium," *J. of Physics and Chemistry of Solids*, vol. 11, Issues 3-4, 239-240 (1959).

* cited by examiner

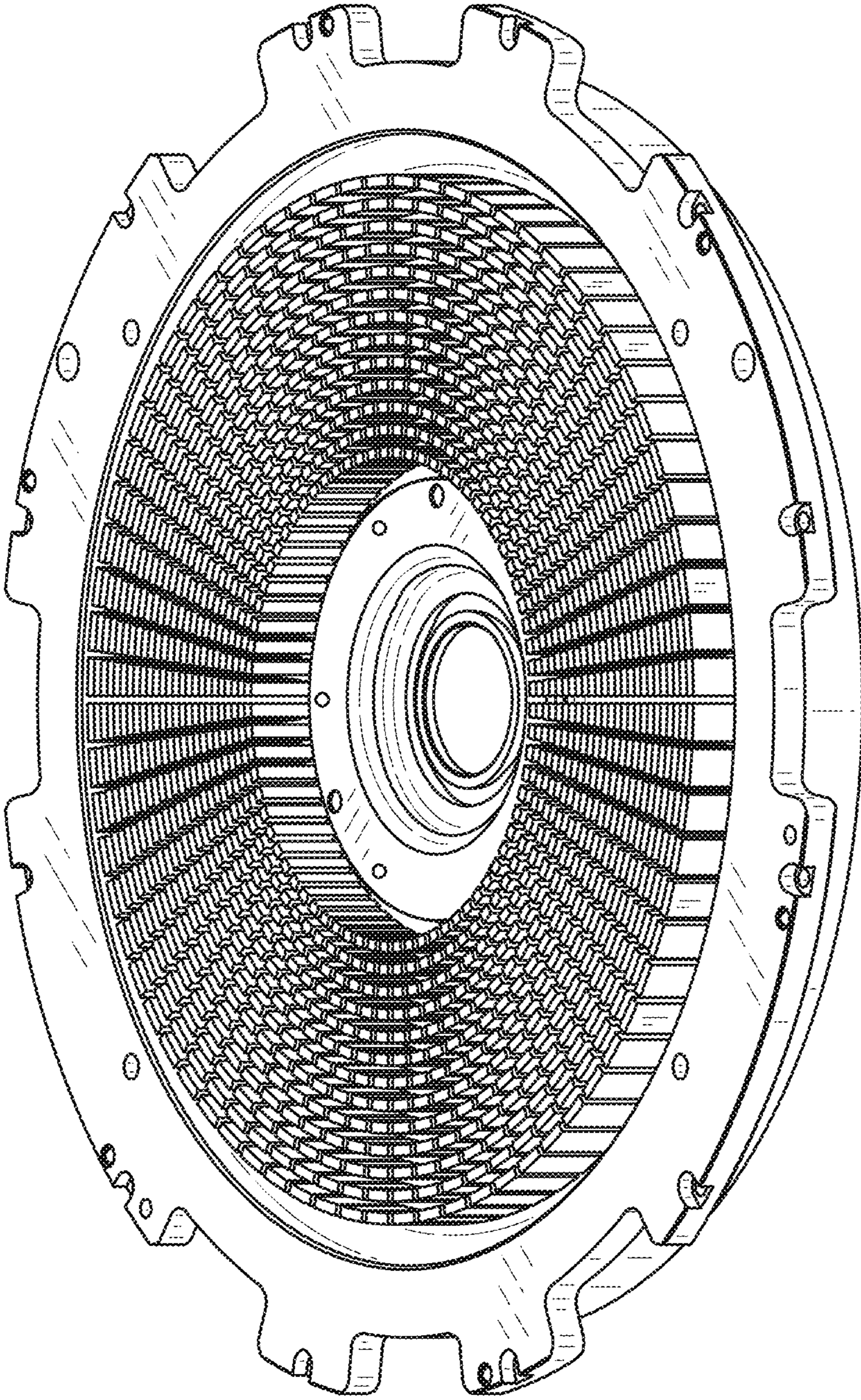


FIG.1

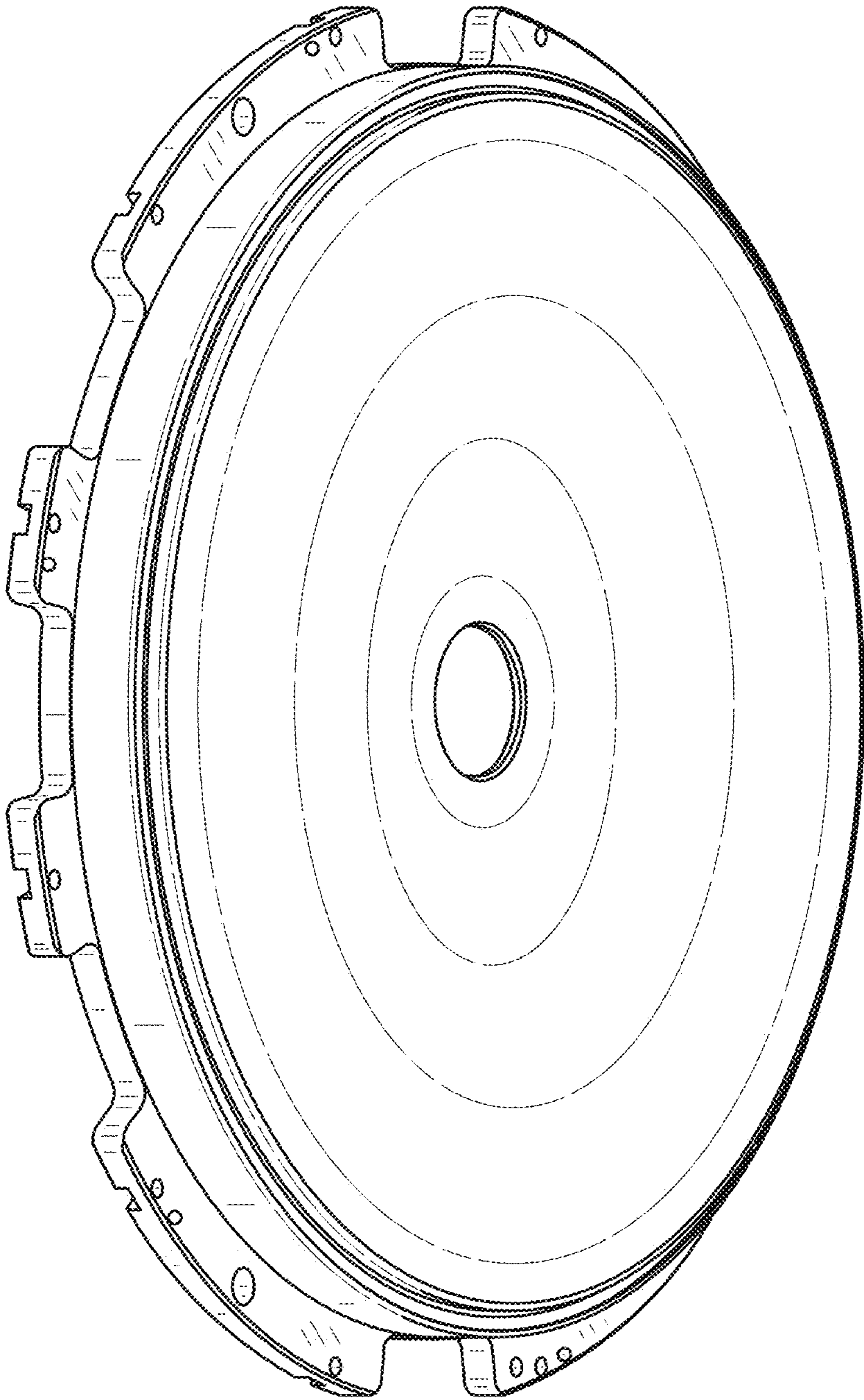


FIG.2

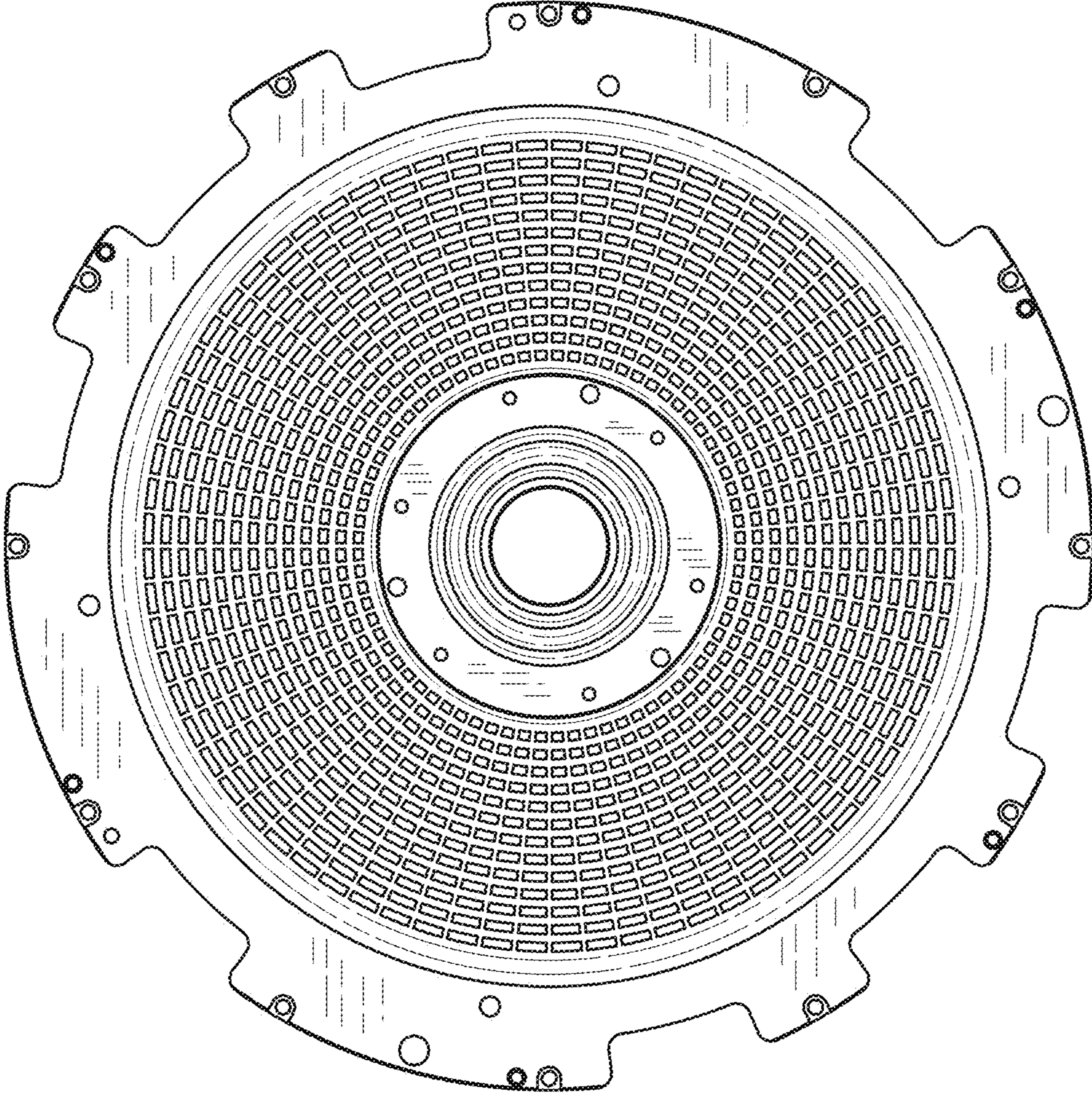


FIG.3

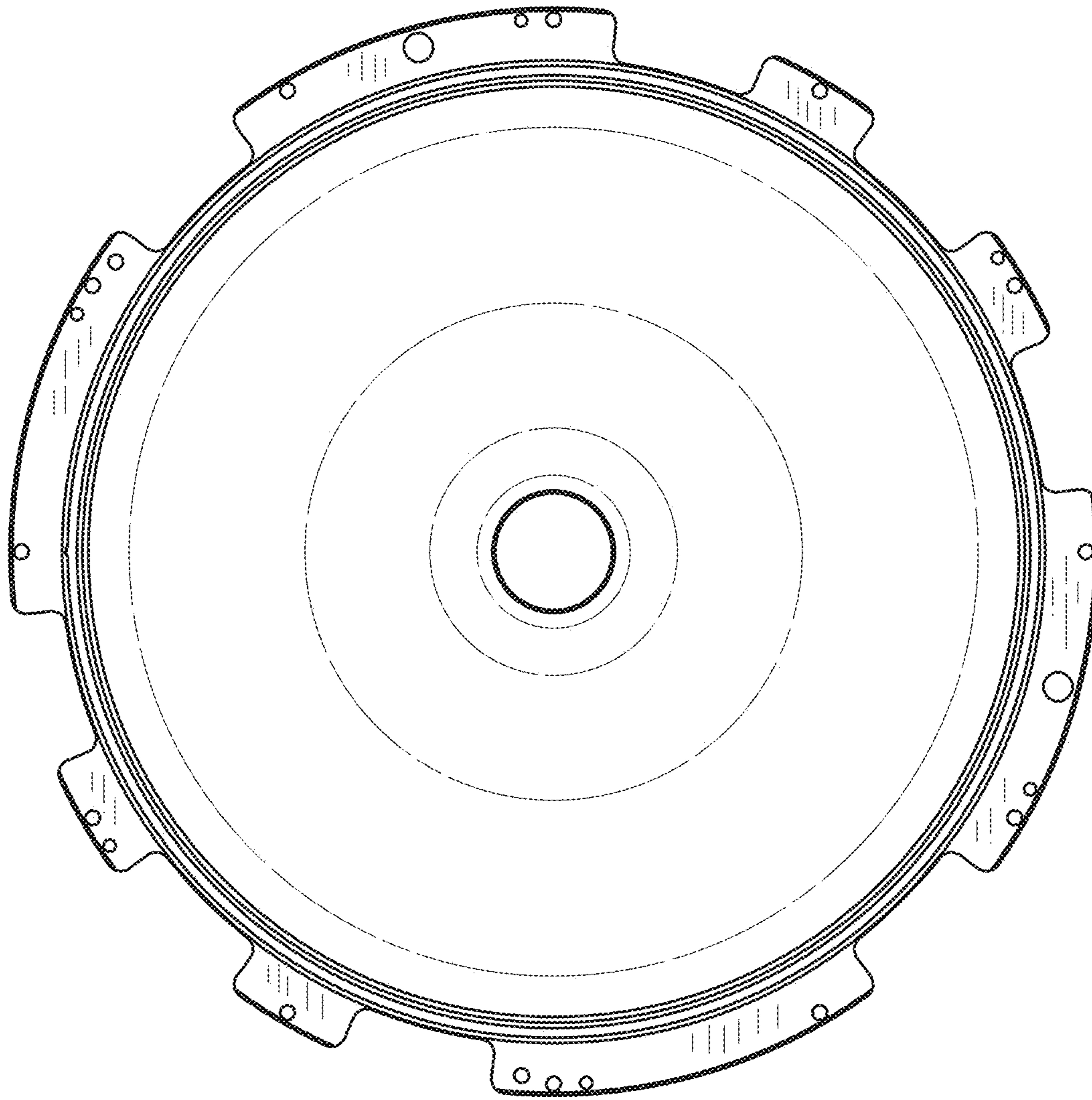


FIG.4

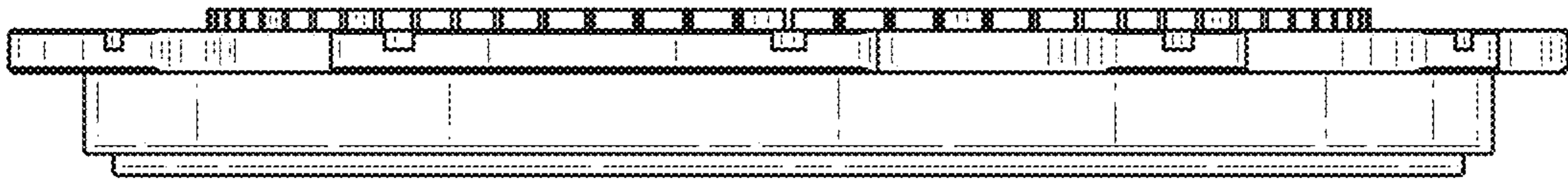


FIG. 5

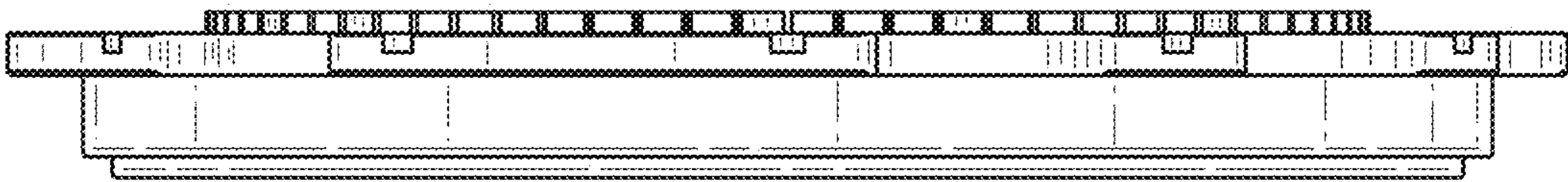


FIG. 6

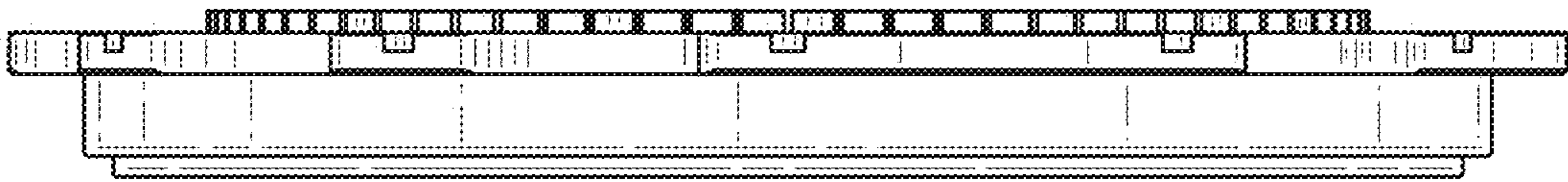


FIG. 7

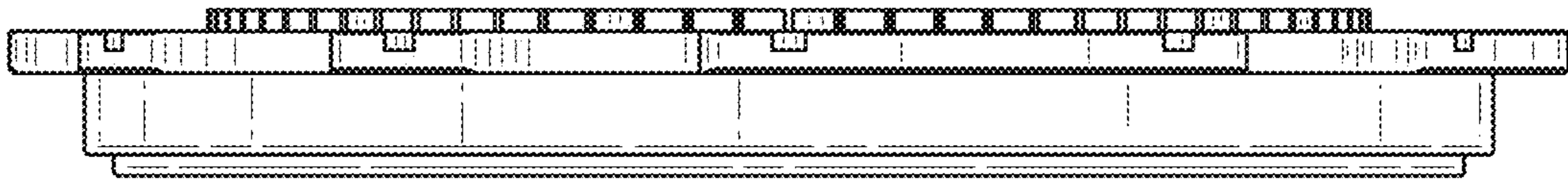


FIG. 8