



US00D922227S

(12) **United States Design Patent** (10) **Patent No.:** **US D922,227 S**
Riedewald et al. (45) **Date of Patent:** **** Jun. 15, 2021**

(54) **SIGNAL MEASURING APPARATUS**

(56) **References Cited**

(71) Applicant: **Proceq AG**, Schwerzenbach (CH)

U.S. PATENT DOCUMENTS

(72) Inventors: **Sandra Riedewald**, Fribourg (CH);
Marcel Poser, Oberuzwil (CH);
Christopher Gordon Udell,
Ennetbaden (CH); **Michael Geiser**,
Zürich (CH)

D371,085 S *	6/1996	Ito	D10/83
D637,291 S *	5/2011	Wu	D24/158
D666,508 S *	9/2012	Beland	D10/50
D666,509 S *	9/2012	Beland	D10/50
D681,206 S *	4/2013	Young	D24/158
D720,633 S *	1/2015	Novotny	D10/103
D790,369 S *	6/2017	Sinha	D10/60
D799,345 S *	10/2017	Iwata	D10/46
D810,591 S *	2/2018	Ribbich	D10/60
D826,755 S *	8/2018	Tam	D10/83
D876,260 S *	2/2020	Ribbich	D10/83
D884,526 S *	5/2020	Ribbich	D10/83

(**) Term: **15 Years**

(21) Appl. No.: **35/507,342**

(22) Filed: **Apr. 24, 2019**

* cited by examiner

(80) **Hague Agreement Data**

Primary Examiner — George D. Kirschbaum
Assistant Examiner — Joseph J Kukella

Int. Filing Date: **Apr. 24, 2019**

Int. Reg. No.: **DM/202446**

Int. Reg. Date: **Apr. 24, 2019**

Int. Reg. Pub. Date: **Aug. 30, 2019**

(57) **CLAIM**

The ornamental design for a signal measuring apparatus, as shown and described.

(30) **Foreign Application Priority Data**

DESCRIPTION

Dec. 13, 2018 (CH) 144387

(51) **LOC (13) Cl.** **10-04**

(52) **U.S. Cl.**
USPC **D10/83**

(58) **Field of Classification Search**
USPC D10/46, 52–56, 83, 84, 104.1,
D10/106.1–106.95, 108, 121, 123–125
CPC G01N 29/22; G01N 29/226
See application file for complete search history.

2 Signal measuring apparatus

2.1 : Perspective

2.2 : Perspective

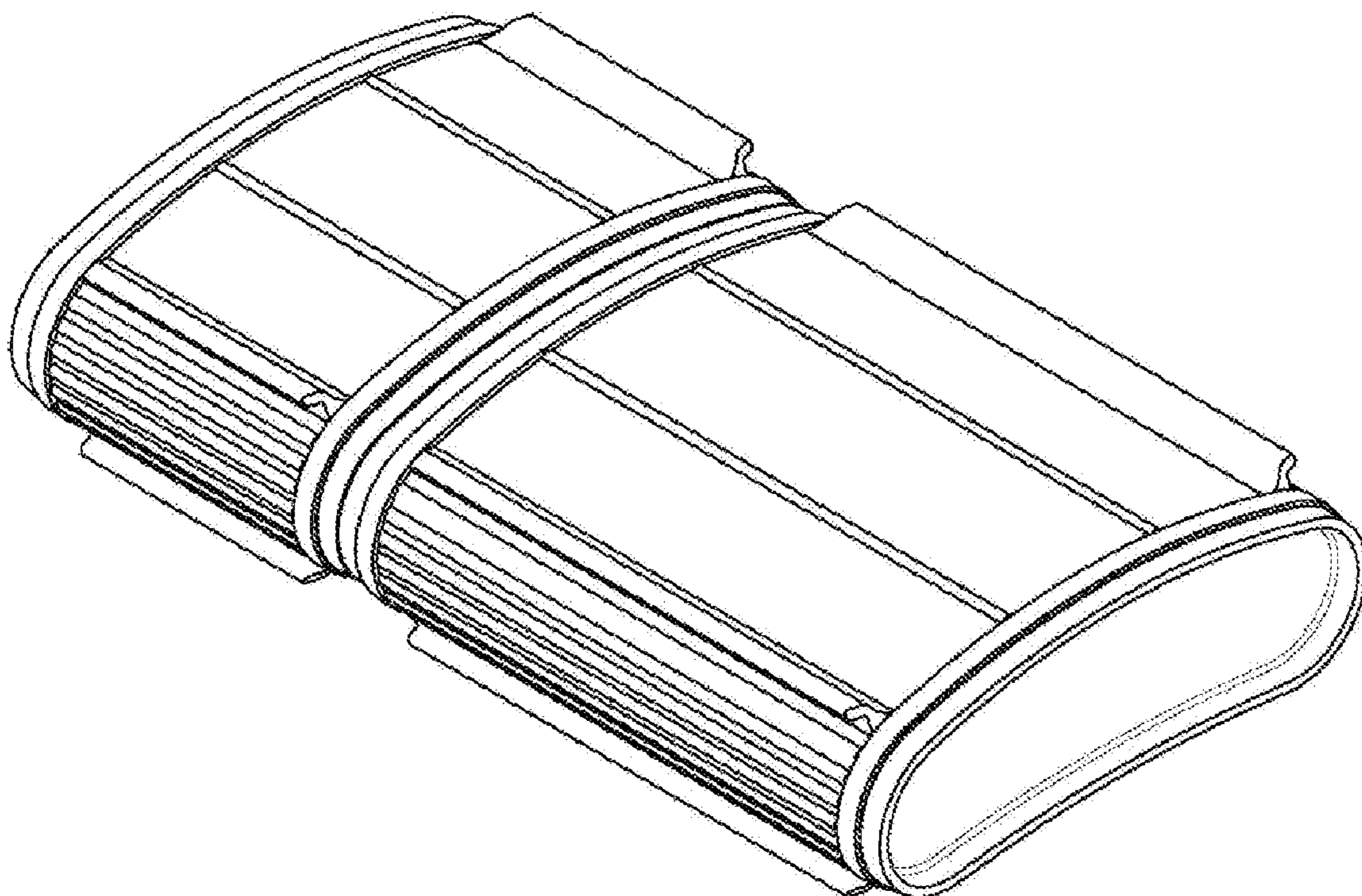
2.3: Front

2.4: Left

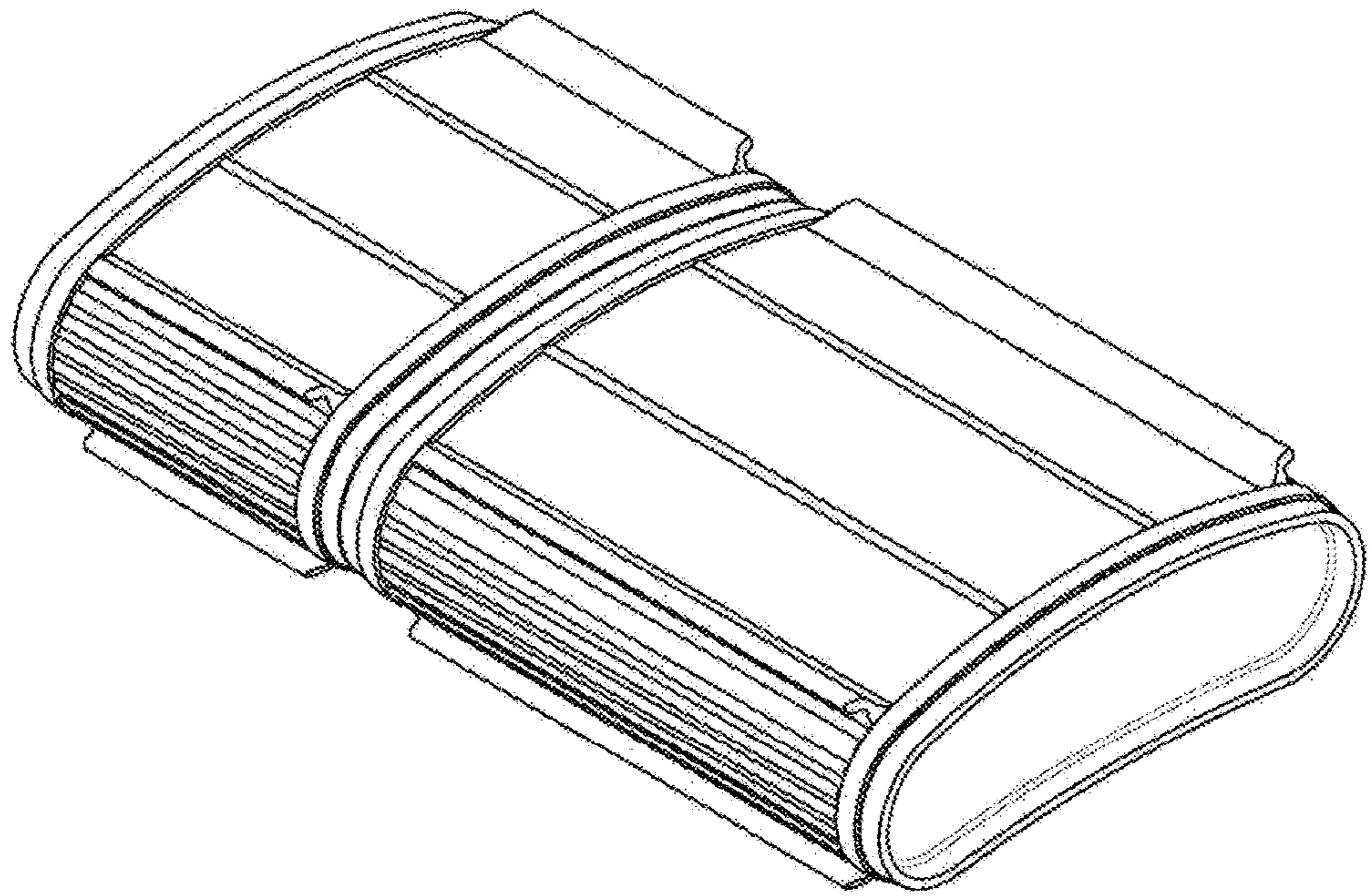
2.5: Top

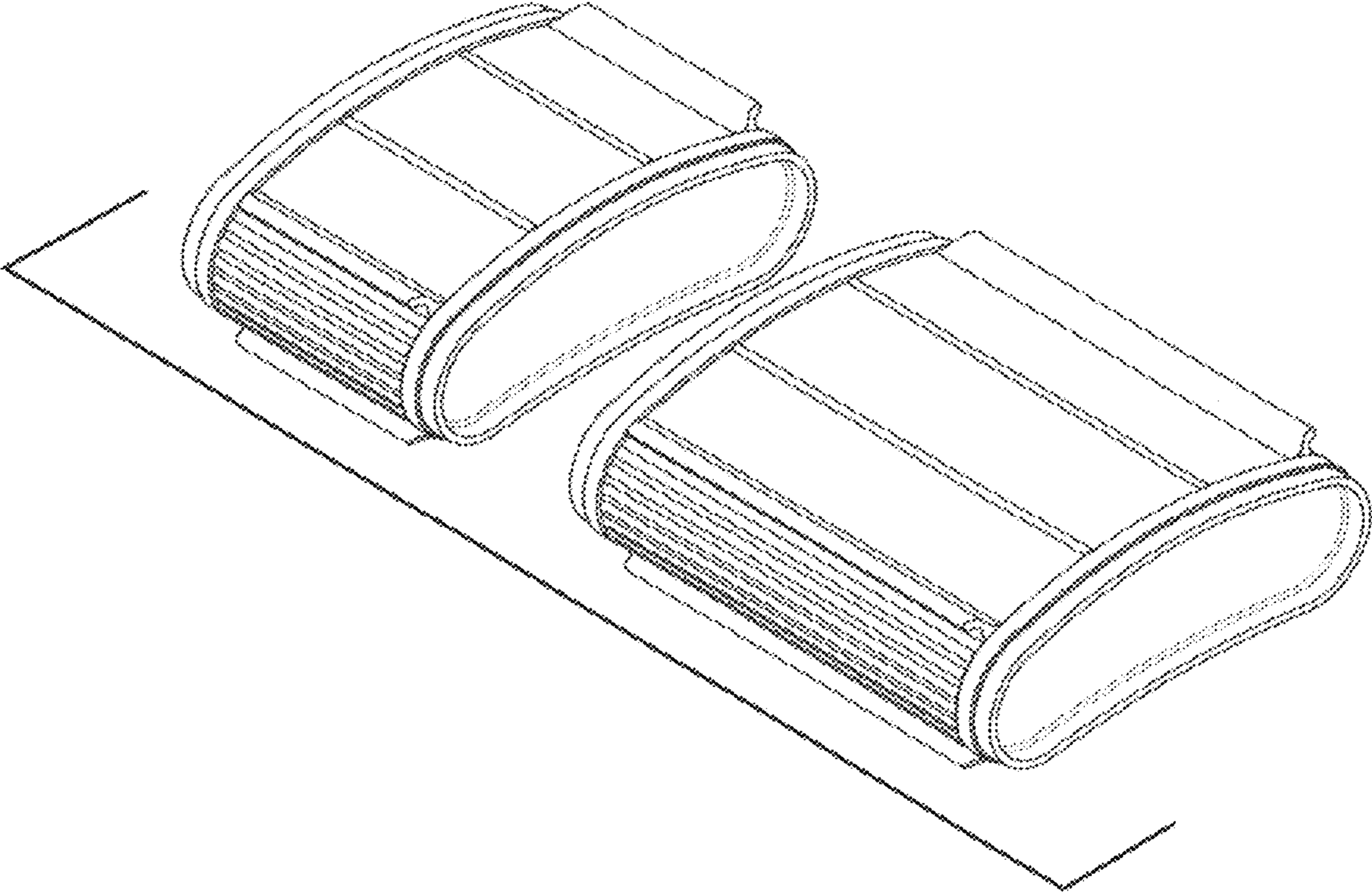
Any views not disclosed in the drawings form no part of the claimed design.

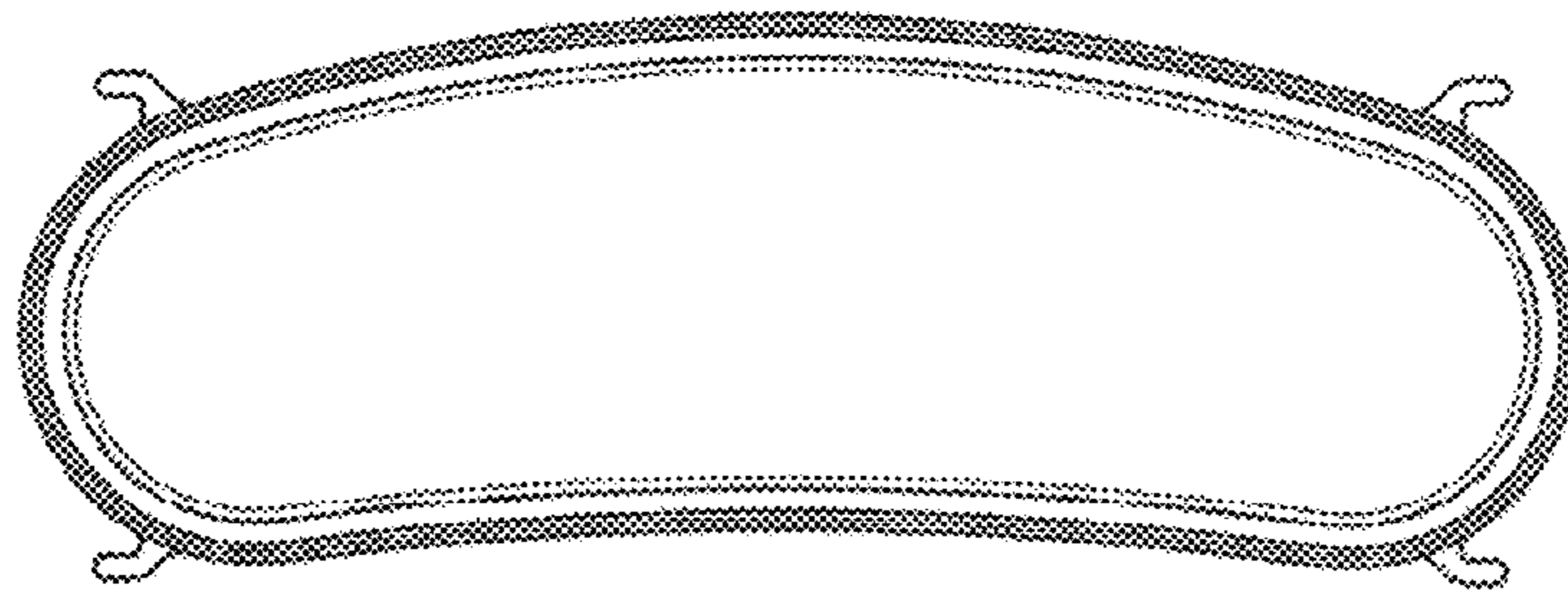
1 Claim, 5 Drawing Sheets



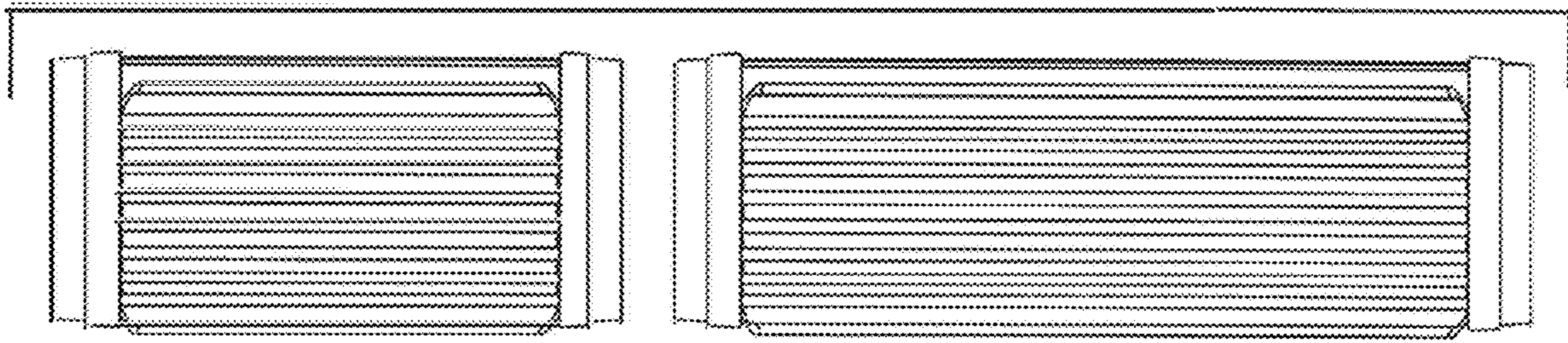
2.1







2.3



2.4



25