

US00D922225S

(12) **United States Design Patent**
Densham et al.

(10) **Patent No.:** **US D922,225 S**

(45) **Date of Patent:** **** Jun. 15, 2021**

(54) **ELECTRONIC DEVICE**

(71) Applicant: **CAST Group of Companies Inc.**,
Toronto (CA)

(72) Inventors: **Gilray Densham**, Inglewood (CA);
Andrew Gordon, Toronto (CA); **Juan Ernesto Salas Imana**, Toronto (CA);
Viktor Anthony Zakrajsek, Toronto (CA); **Vernadette Dimafiles Saguil**,
Toronto (CA)

(73) Assignee: **CAST GROUP OF COMPANIES INC.**, Toronto (CA)

(**) Term: **15 Years**

(21) Appl. No.: **29/691,025**

(22) Filed: **May 13, 2019**

(51) **LOC (13) Cl.** **10-04**

(52) **U.S. Cl.**
USPC **D10/70; D10/106.6**

(58) **Field of Classification Search**
USPC D10/46, 70, 78, 80, 106.6, 106.9
CPC A41D 1/02; A44C 5/0015; A44C 5/02;
A44C 5/14; A61B 19/44; A61B
2019/446; A61B 71/00; A61B 5/02416;
A61B 5/1118;

(Continued)

(56) **References Cited**

U.S. PATENT DOCUMENTS

D743,819 S * 11/2015 Golnik D10/70
D761,676 S * 7/2016 Golnik D10/70

(Continued)

Primary Examiner — Antoine Duval Davis

(57) **CLAIM**

The ornamental design of an electronic device, substantially as shown and described.

DESCRIPTION

FIG. 1 is a top perspective view of the electronic device according a first embodiment.

FIG. 2 is a top view of the electronic device according to the first embodiment.

FIG. 3 is a left side view of the electronic device according to the first embodiment.

FIG. 4 is a front view of the electronic device according to the first embodiment.

FIG. 5 is a right side view of the electronic device according to the first embodiment.

FIG. 6 is a rear view of the electronic device according the first embodiment.

FIG. 7 is a bottom view of the electronic device according to the first embodiment.

FIG. 8 is a bottom perspective view of the electronic device according to the first embodiment.

FIG. 9 is a top perspective view of the electronic device according a second embodiment.

FIG. 10 is a top view of the electronic device according to the second embodiment.

FIG. 11 is a left side view of the electronic device according to the second embodiment.

FIG. 12 is a front view of the electronic device according to the second embodiment.

FIG. 13 is a right side view of the electronic device according to the second embodiment.

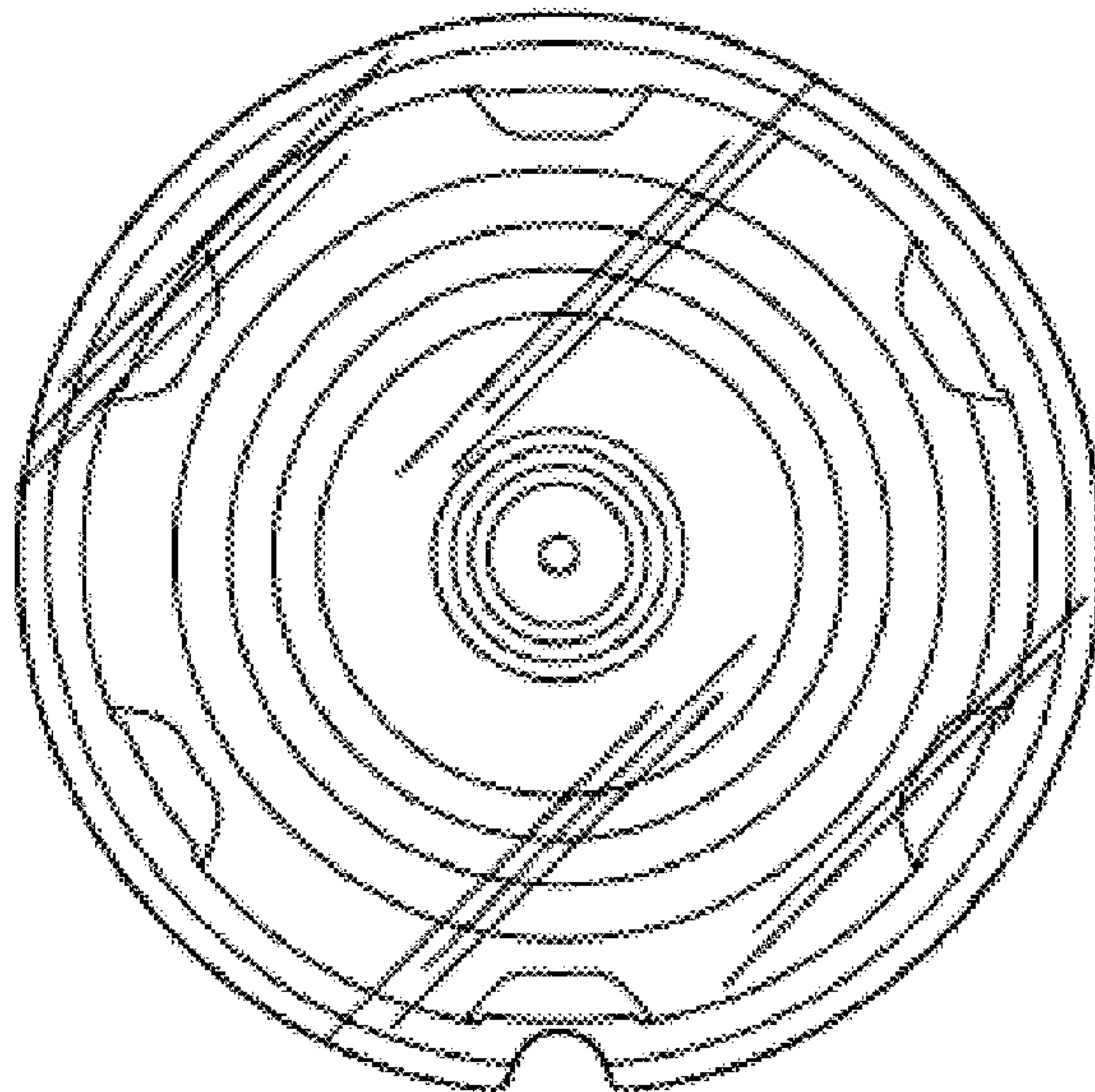
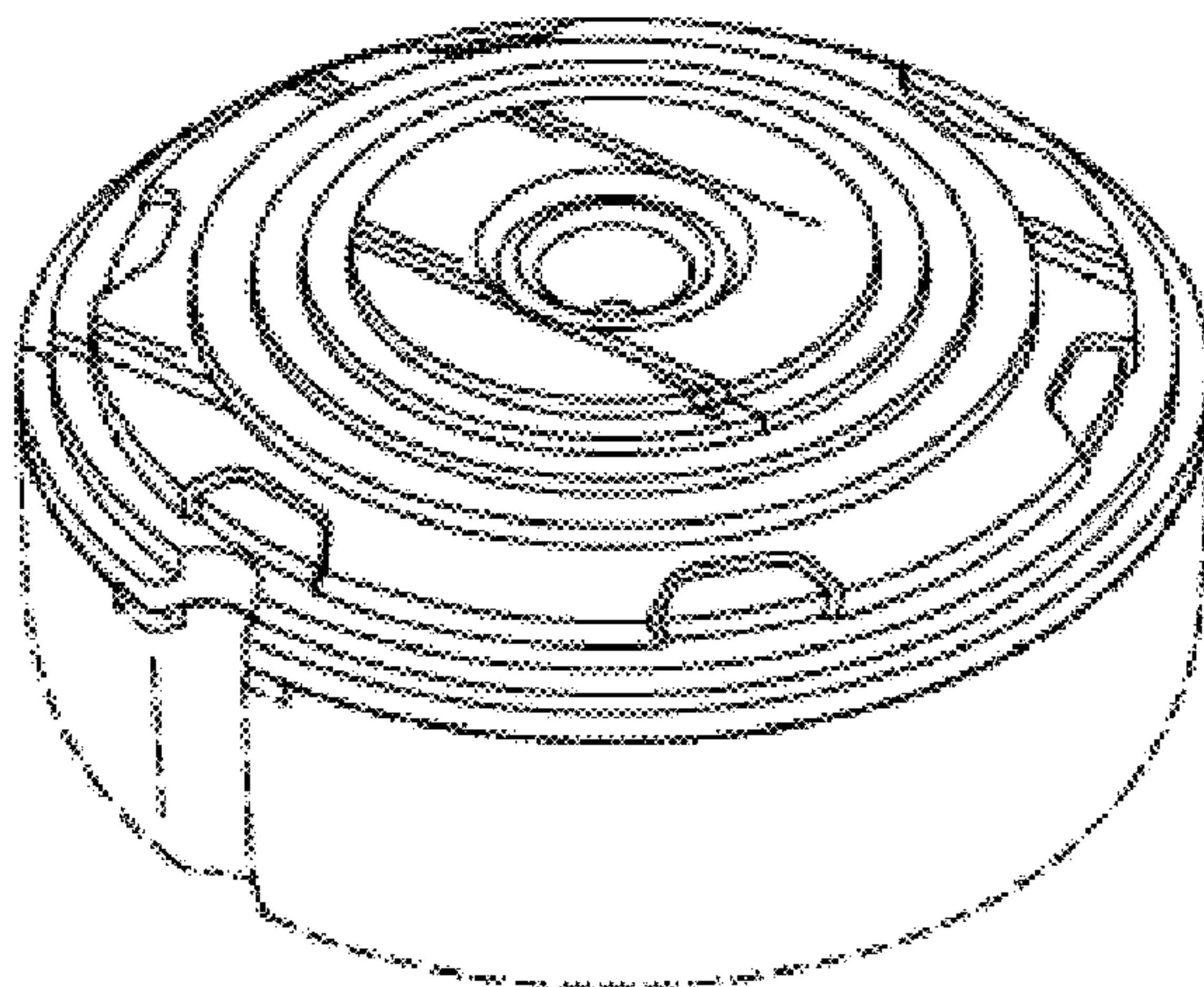
FIG. 14 is a rear view of the electronic device according the second embodiment.

FIG. 15 is a bottom view of the electronic device according to the second embodiment; and,

FIG. 16 is a bottom perspective view of the electronic device according to the second embodiment.

The broken lines showing the remainder of the electronic device are directed to environment. The broken lines on the top surface within the claimed design in the second embodiment are for illustrative purposes only. None of the broken lines form a part of the claimed design. The upper portion of the electronic device is transparent or translucent.

1 Claim, 4 Drawing Sheets



(58) **Field of Classification Search**

CPC A61B 2/721; A61B 5/002; A61B 5/112;
A61B 5/1122; A61B 5/746; A61B
5/6823; A61B 5/72; A61B 5/7445; A61B
5/0022; A61B 5/14532; A63B 71/06;
A63B 26/00; A63B 24/0075; A63B
2071/0663; A63B 71/0686; A63B
24/0062; A63B 24/0084; A63B
2024/0068; A63B 2024/0078; A63B
2024/0056; A63B 2071/0625; A63B
2071/003; A63B 2071/063; A63B
2071/065; A63B 2071/068; A63B
2071/0675; A63B 2220/40; A63B
2220/803; A63B 2220/12; A63B 2220/20;
A63B 2220/22; A63B 2220/30; A63B
2225/50; A63B 2225/02; A63B 2225/06;
A63B 2230/75; A63B 2024/0065; A63B
2024/0081; A63B 2220/51; A63B
2220/62; A63B 2220/836; G09F 3/005;
G06F 1/163; G06F 3/038; G06F 3/03547;
G04G 17/00; G04G 17/08; G04G 17/04;
G04G 21/02; G04G 21/00; G04G 21/08;
G04B 37/1486; G06Q 10/00; G06Q
50/00; G09B 9/00; G09B 19/00; G04F
10/00

See application file for complete search history.

(56) **References Cited**

U.S. PATENT DOCUMENTS

D818,853 S * 5/2018 Golnik D10/70
D848,292 S * 5/2019 Laurans D10/70
D903,125 S * 11/2020 Burns D10/80

* cited by examiner

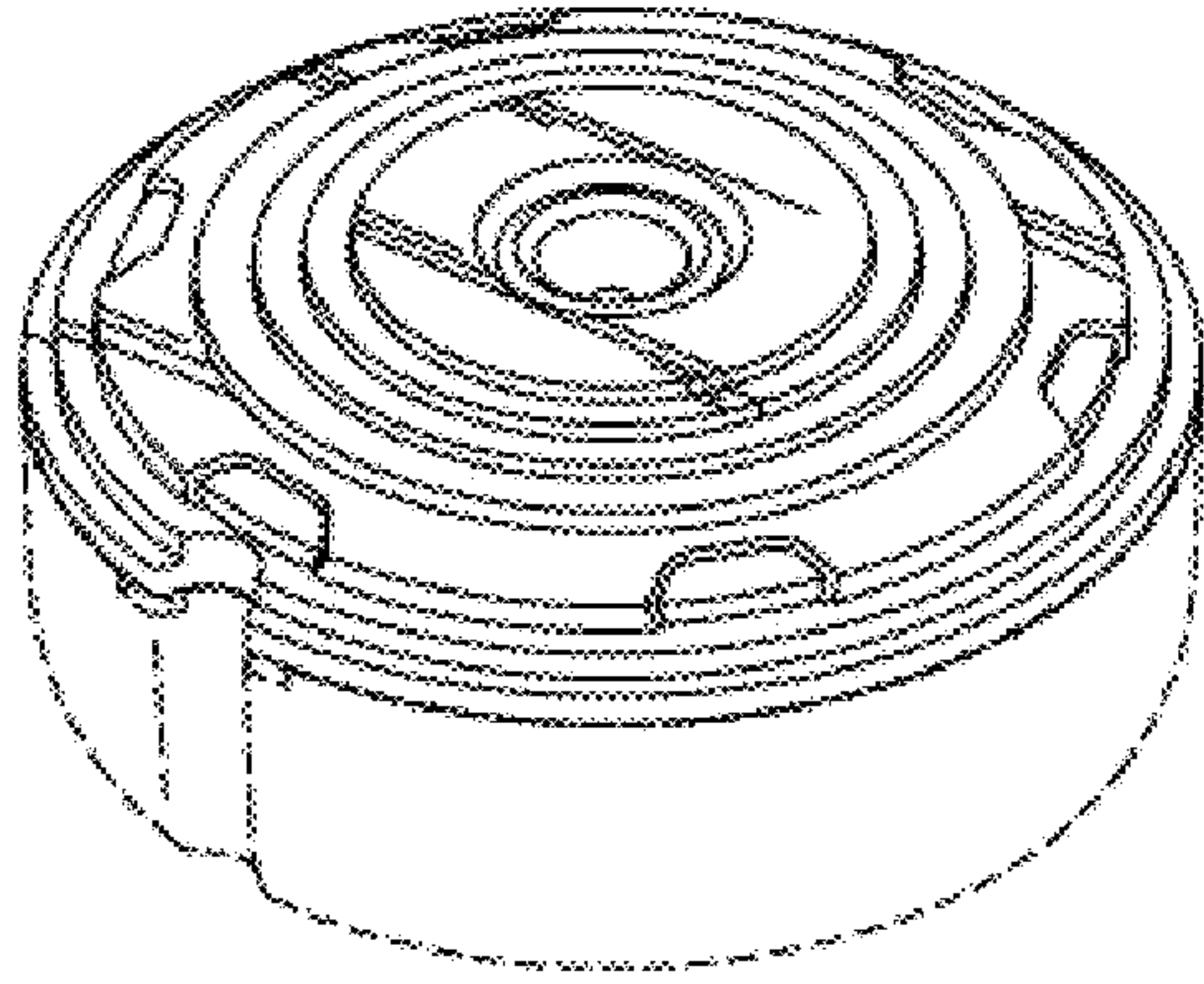


FIG. 1

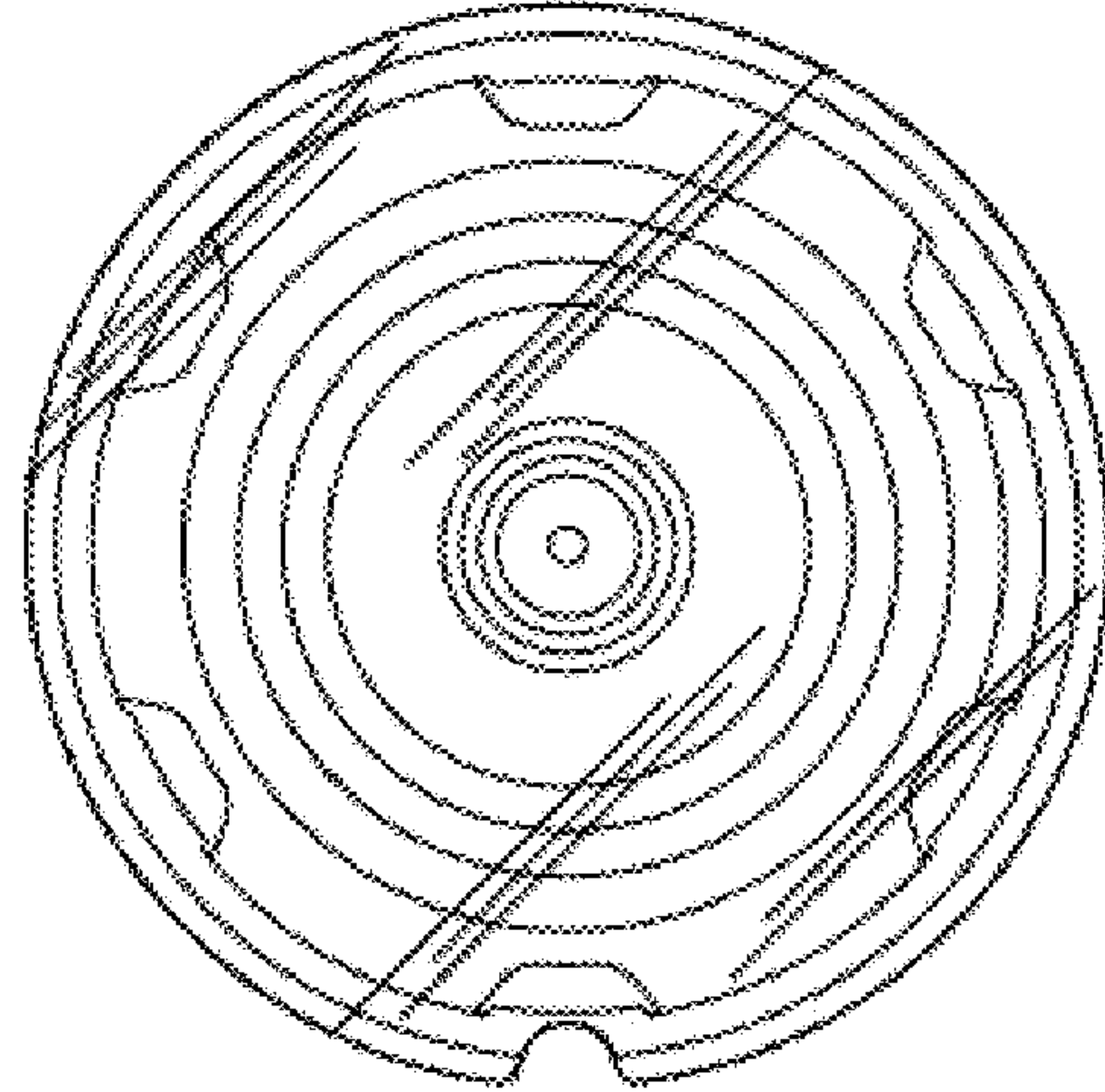


FIG. 2

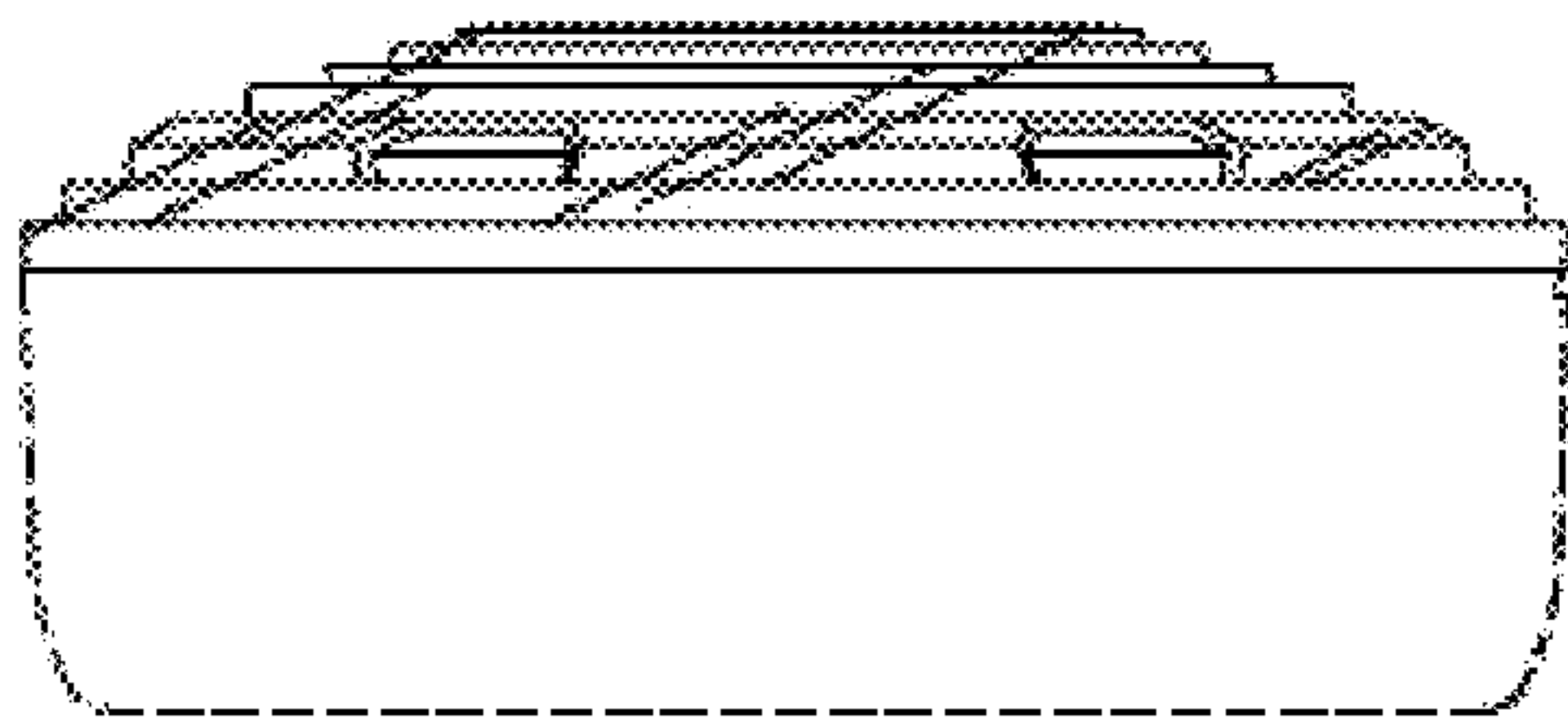


FIG. 3

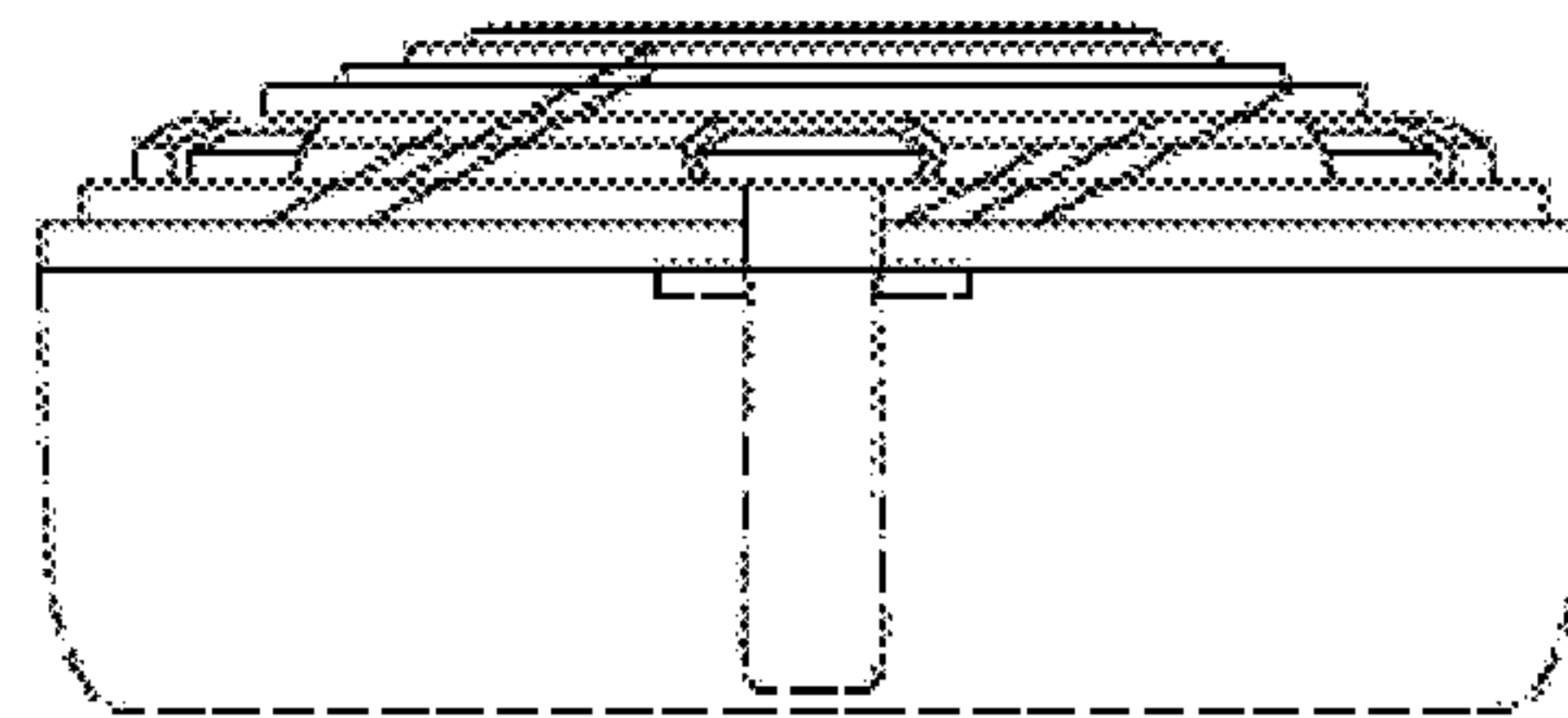


FIG. 4

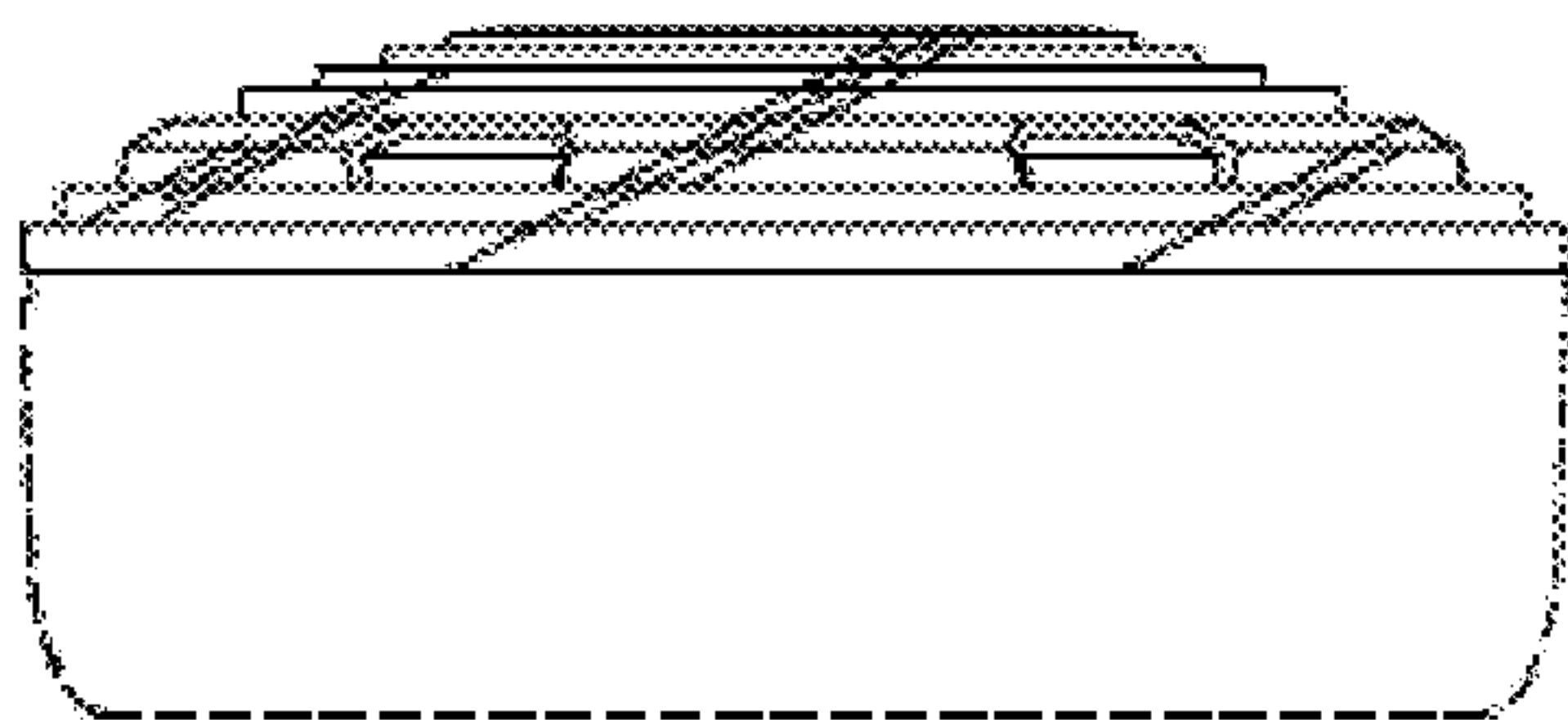


FIG. 5

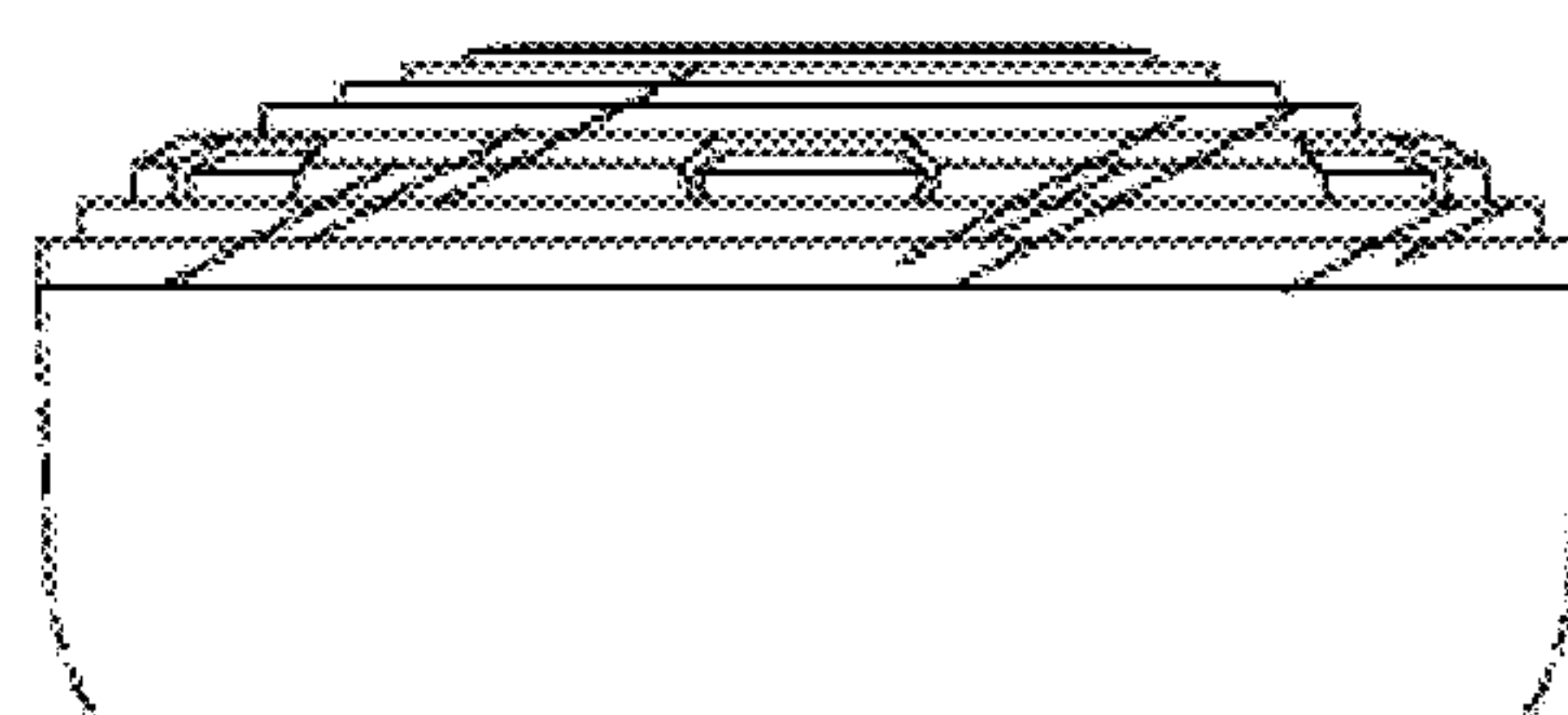


FIG. 6

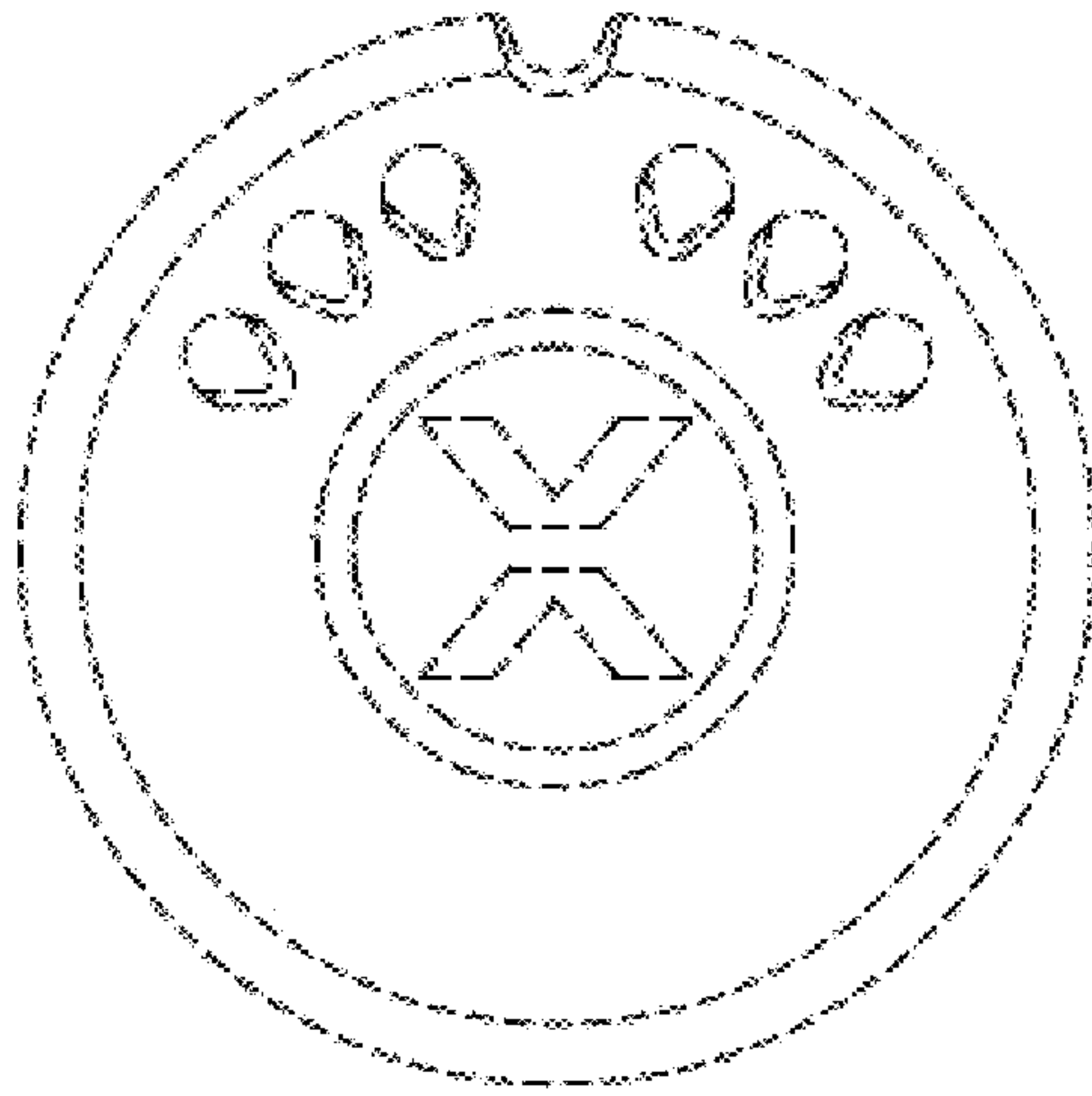


FIG. 7

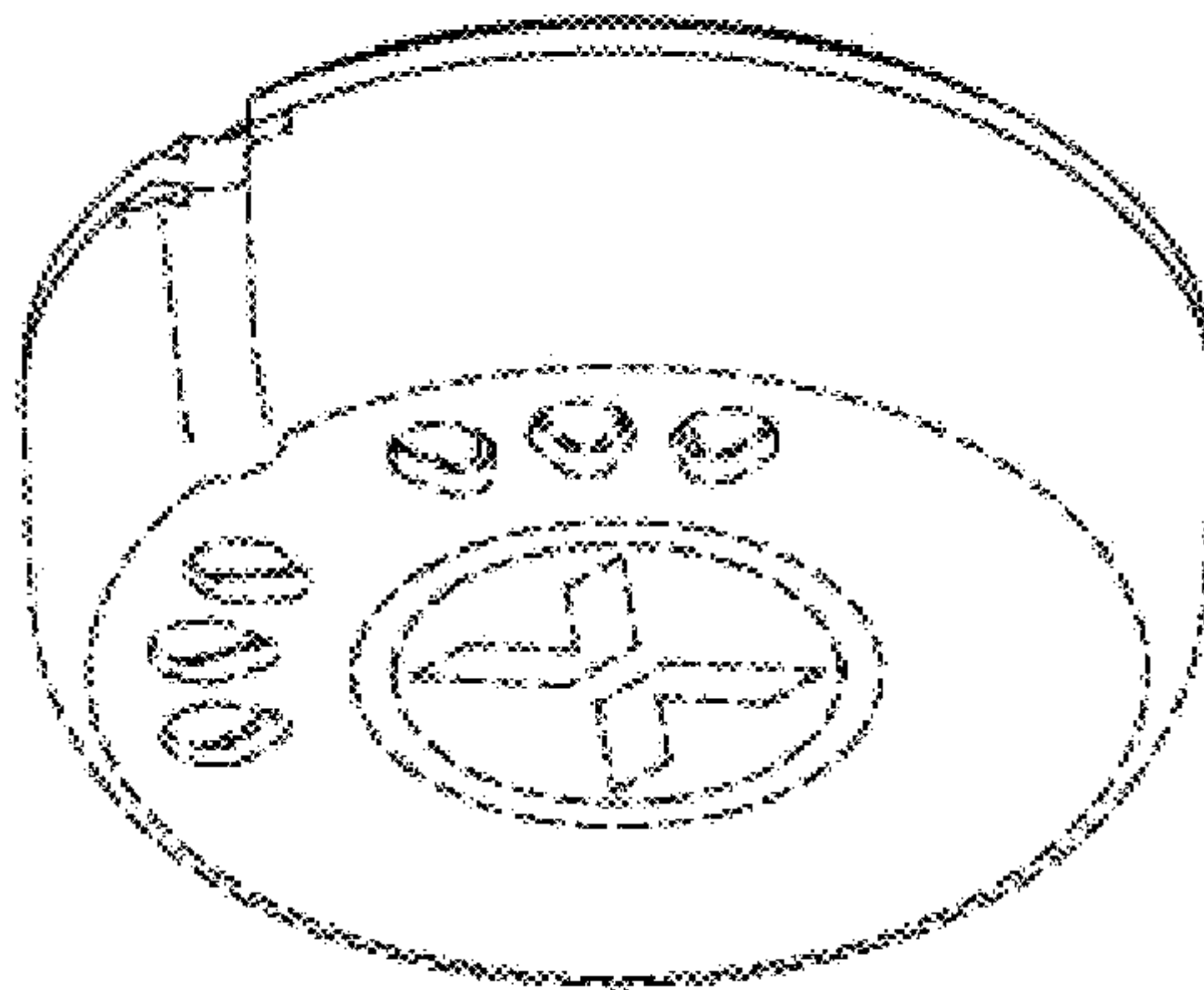


FIG. 8

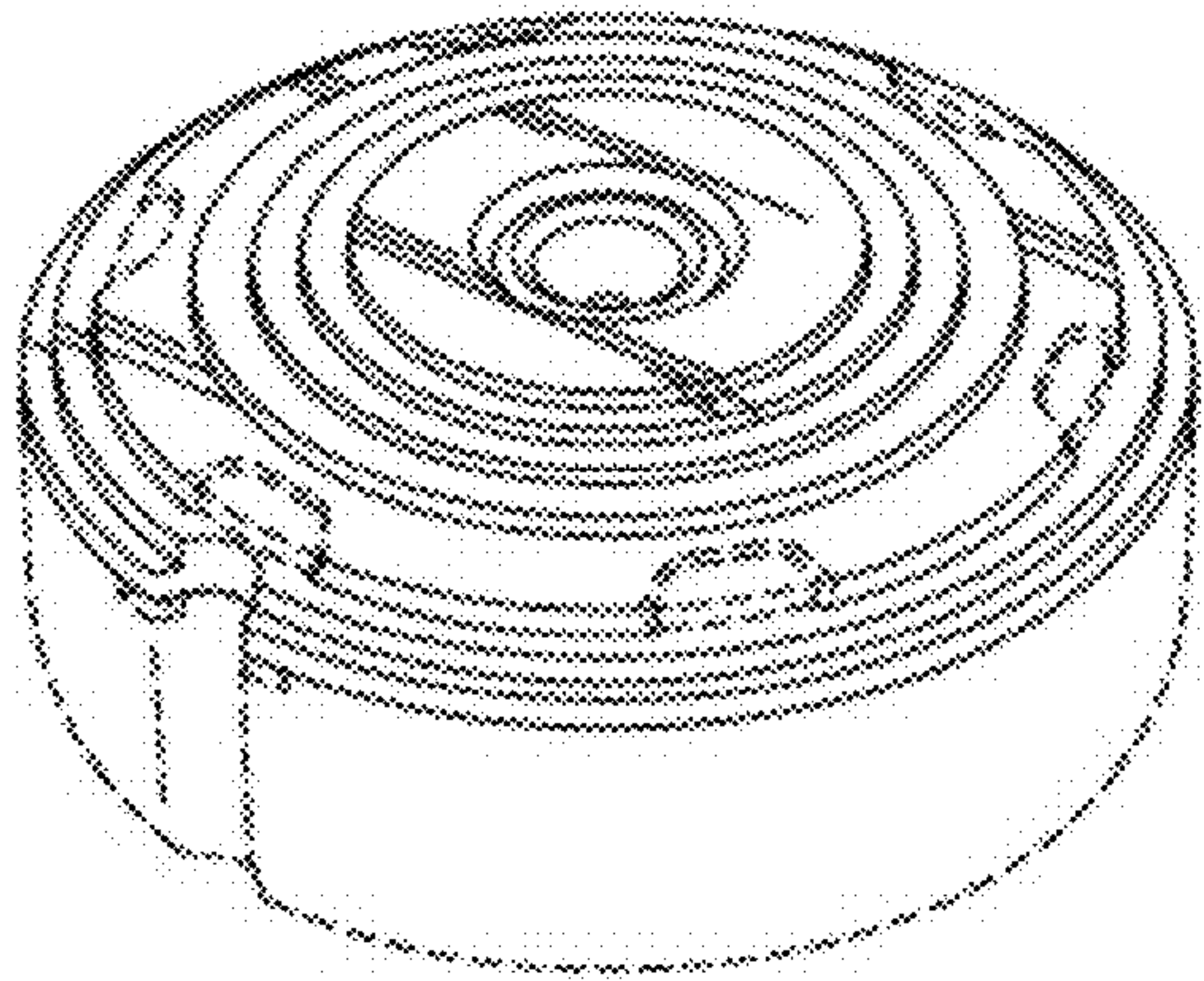


FIG. 9

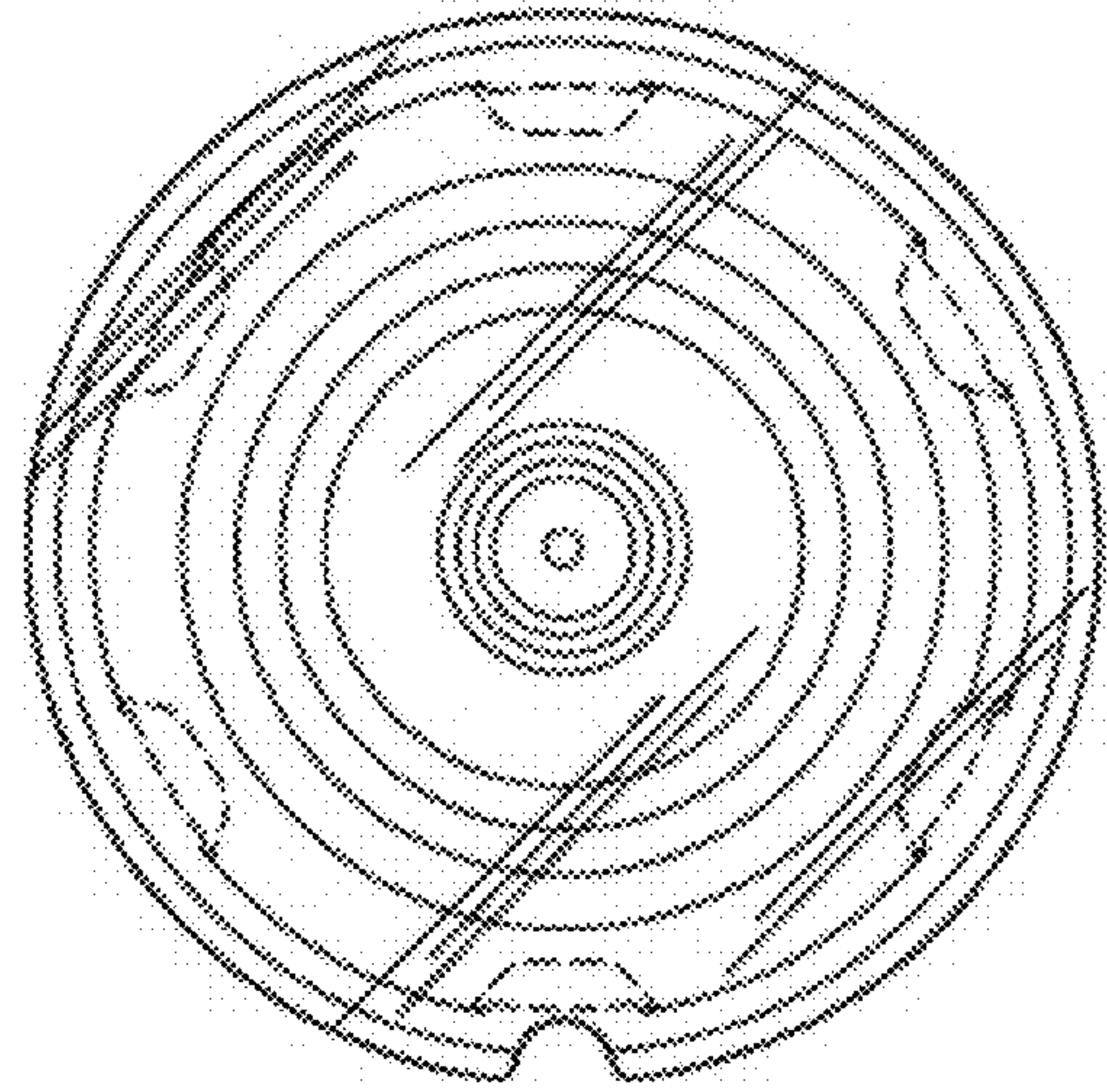


FIG. 10

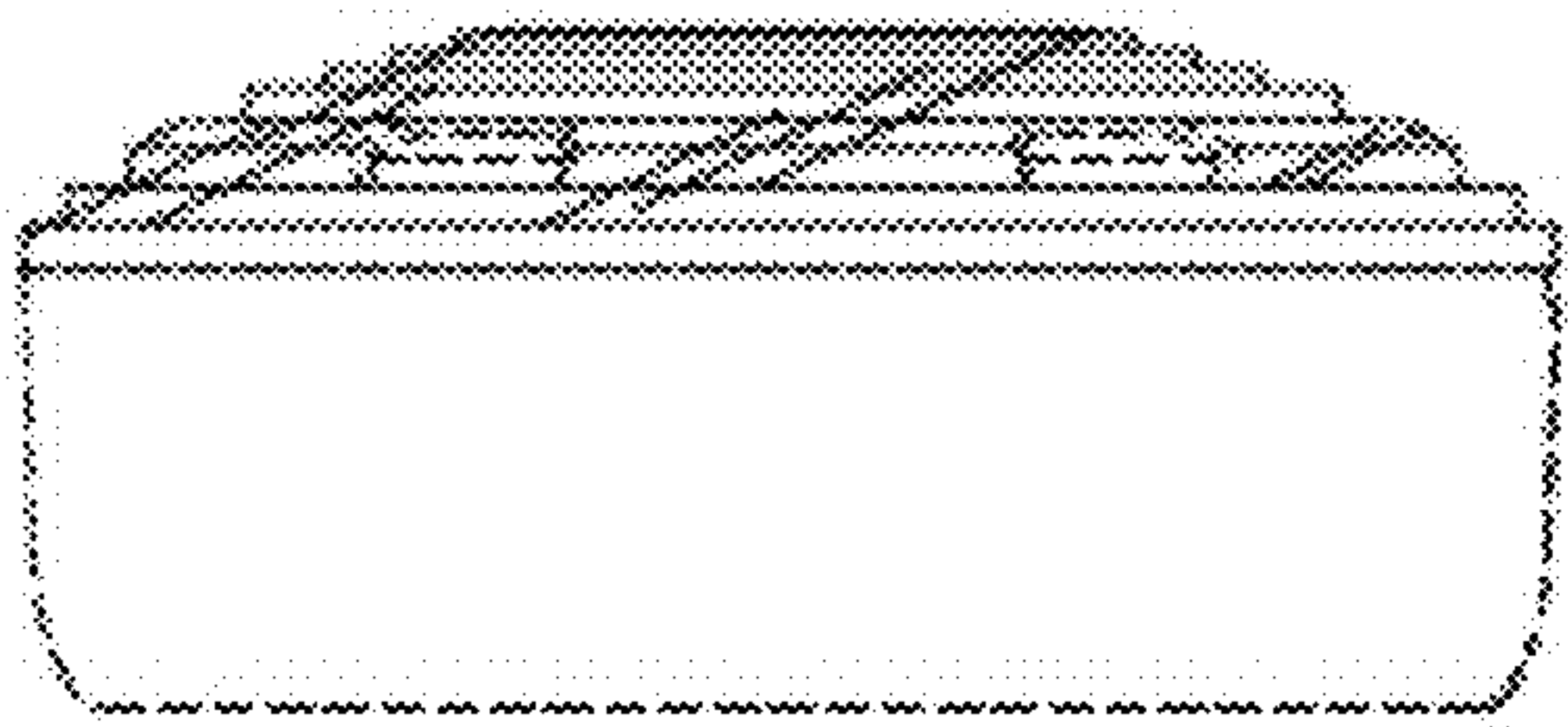


FIG. 11

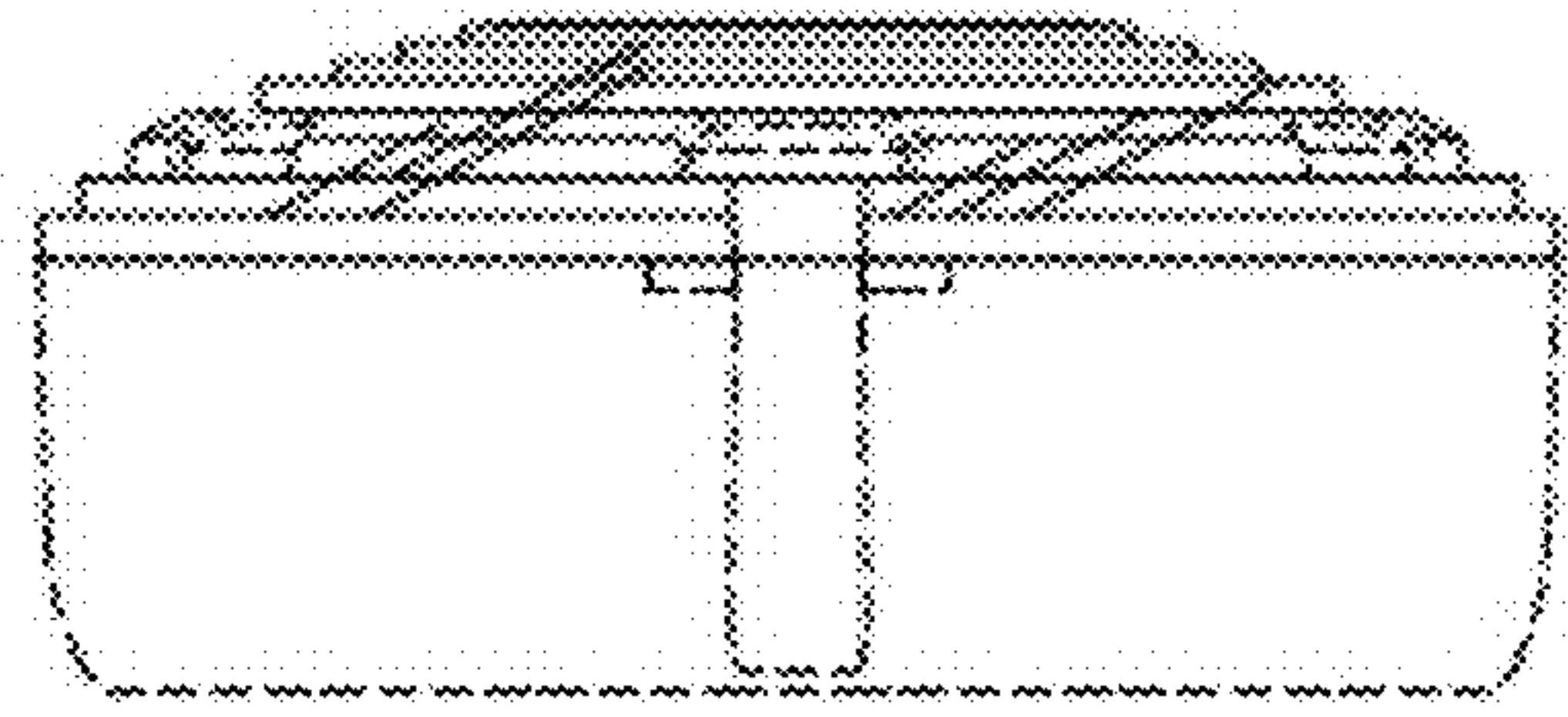


FIG. 12

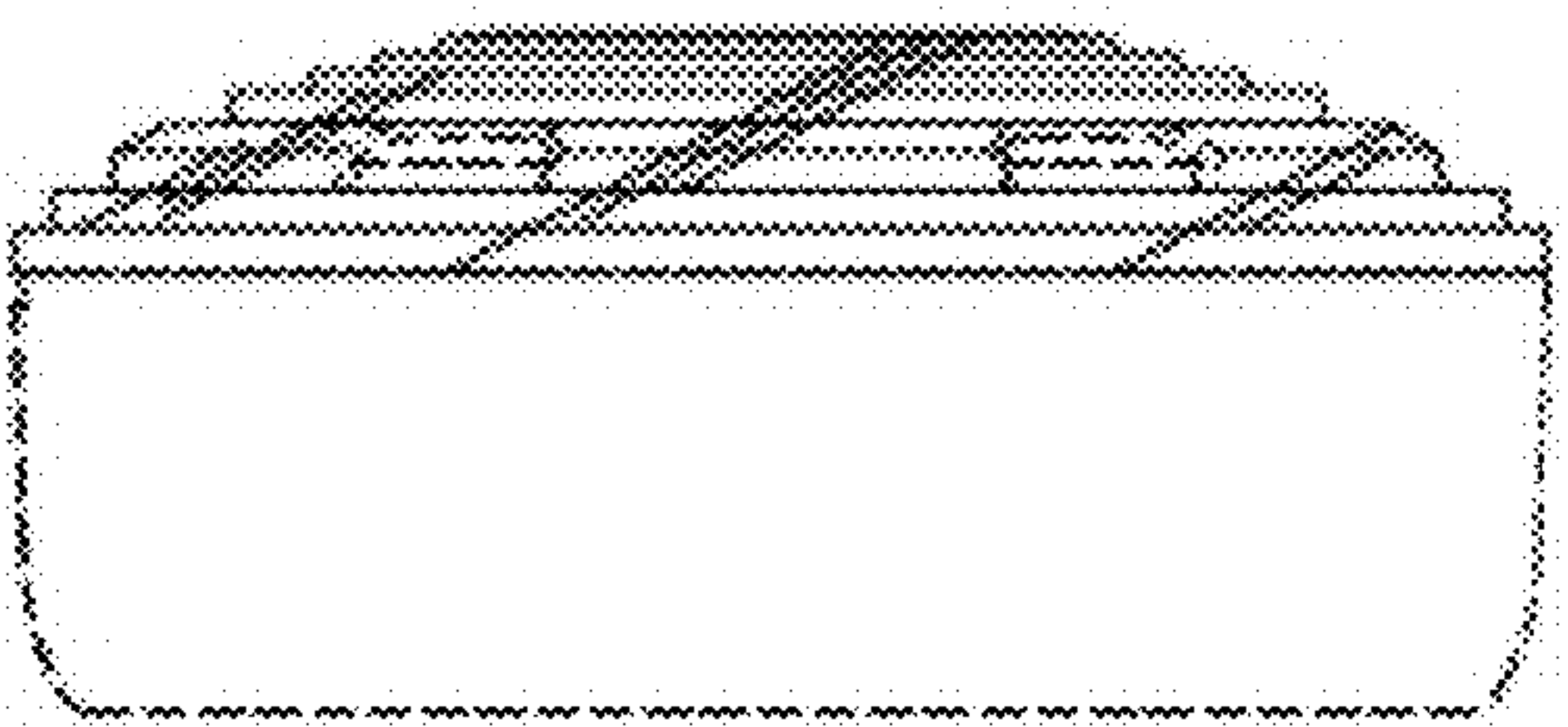


FIG. 13



FIG. 14

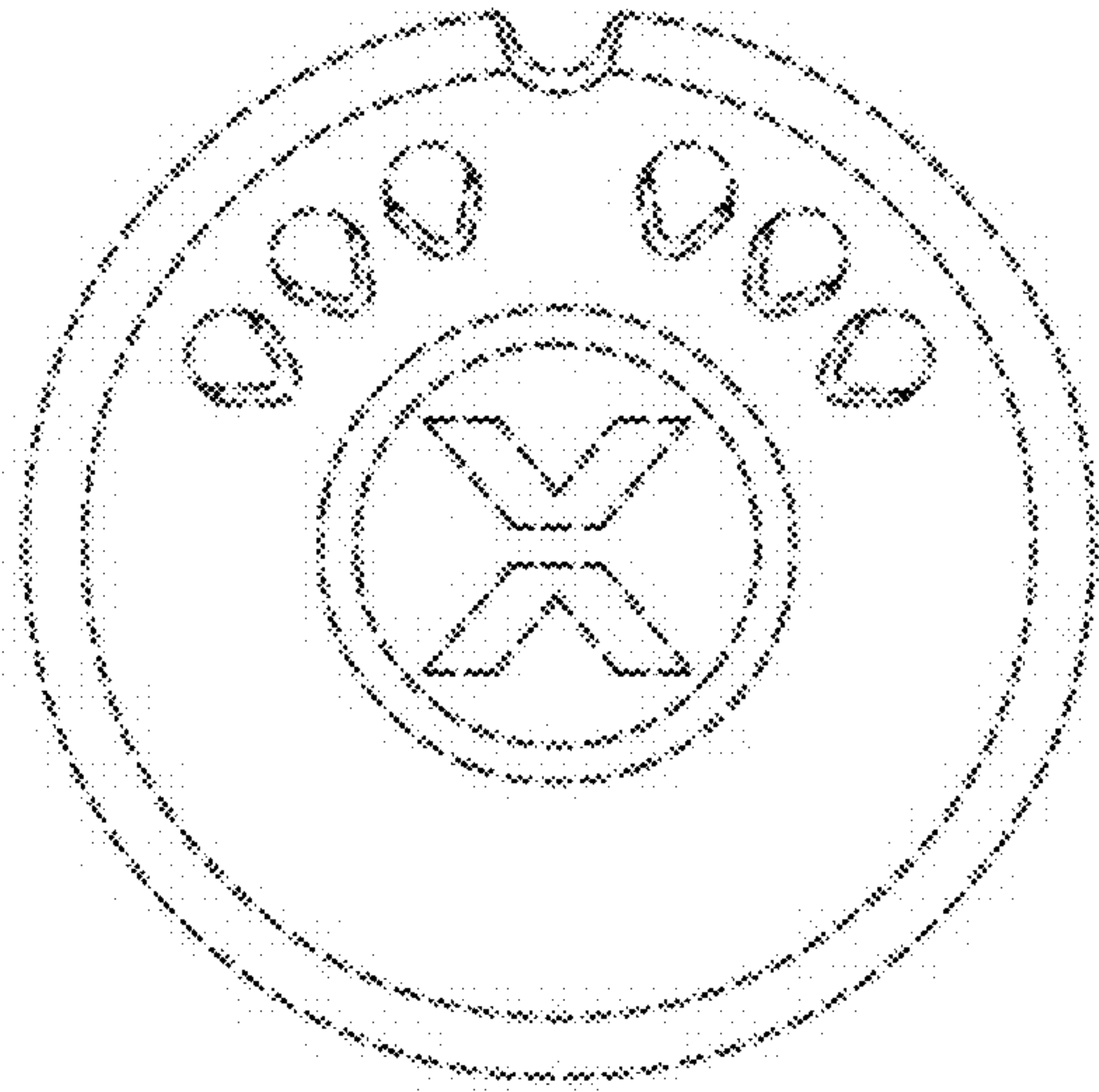


FIG. 15

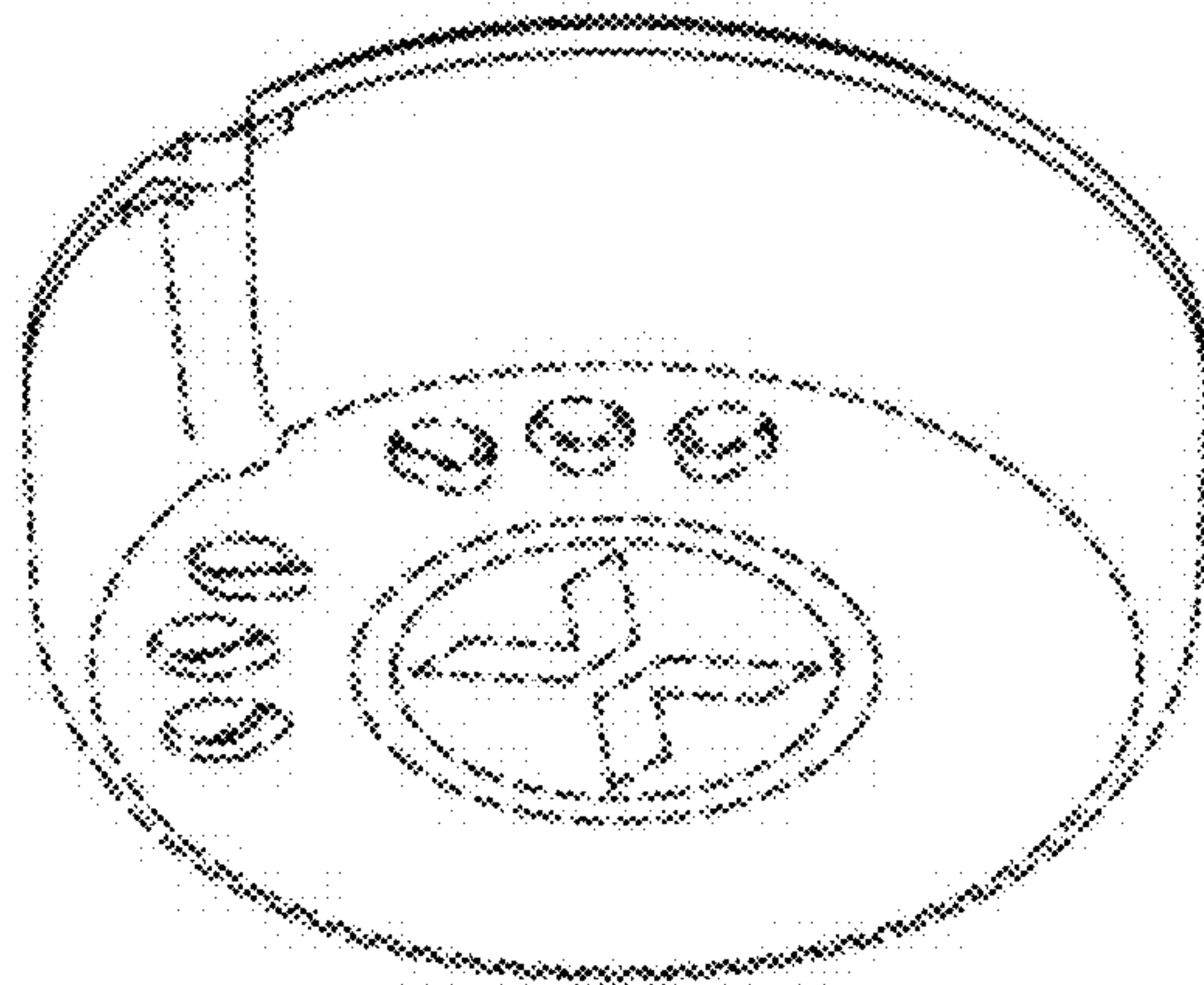


FIG. 16