

US00D922224S

(12) **United States Design Patent**
Zhuang et al.

(10) **Patent No.:** **US D922,224 S**

(45) **Date of Patent:** **** Jun. 15, 2021**

(54) **LASER LEVEL**

(71) Applicant: **Zhejiang Rongsheng Tools Co., Ltd,**
Jinhua (CN)

(72) Inventors: **Zhiwei Zhuang,** Jinhua (CN);
Zhongwei Shi, Jinhua (CN)

(73) Assignee: **ZHEJIANG RONGSHENG TOOLS**
CO., LTD, Jinhua (CN)

(**) Term: **15 Years**

(21) Appl. No.: **29/690,173**

(22) Filed: **May 6, 2019**

(30) **Foreign Application Priority Data**

Nov. 5, 2018 (CN) 201830622254.6

(51) **LOC (13) Cl.** **10-04**

(52) **U.S. Cl.**
USPC **D10/69**

(58) **Field of Classification Search**
USPC D10/69
CPC G01C 15/00; G01C 15/002; G01C 15/004;
G01C 15/006; G01C 15/008; G01C
15/02; G01C 15/04; G01C 15/06; G01C
15/08; G01C 15/10; G01C 15/105; G01C
15/12; G01C 15/14

See application file for complete search history.

(56) **References Cited**

U.S. PATENT DOCUMENTS

D536,999 S * 2/2007 Chen D10/69
D751,428 S * 3/2016 Johnson D10/69

* cited by examiner

Primary Examiner — Antoine Duval Davis

(74) *Attorney, Agent, or Firm* — Scully Scott Murphy &
Presser

(57) **CLAIM**

The ornamental design for a laser level, as shown and
described.

DESCRIPTION

FIG. 1 is a perspective view of a laser level showing our new
design

FIG. 2 is a front elevation view thereof;

FIG. 3 is a rear elevation view thereof;

FIG. 4 is a side elevation view thereof;

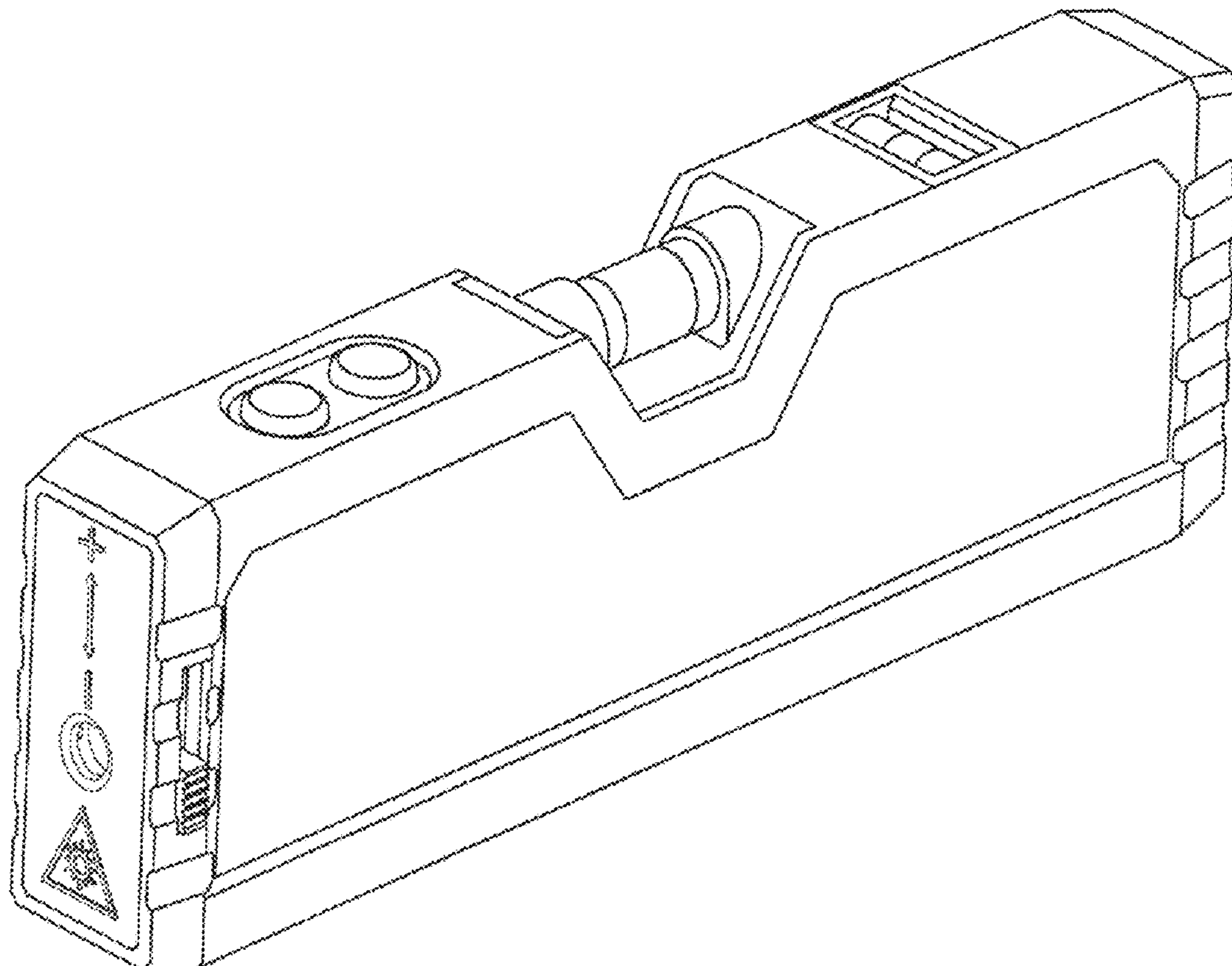
FIG. 5 an opposite side elevation view thereof;

FIG. 6 is a top plan view thereof; and,

FIG. 7 is a bottom plan view thereof.

The broken lines depict portions of the laser level that form
no part of the claimed design.

1 Claim, 7 Drawing Sheets



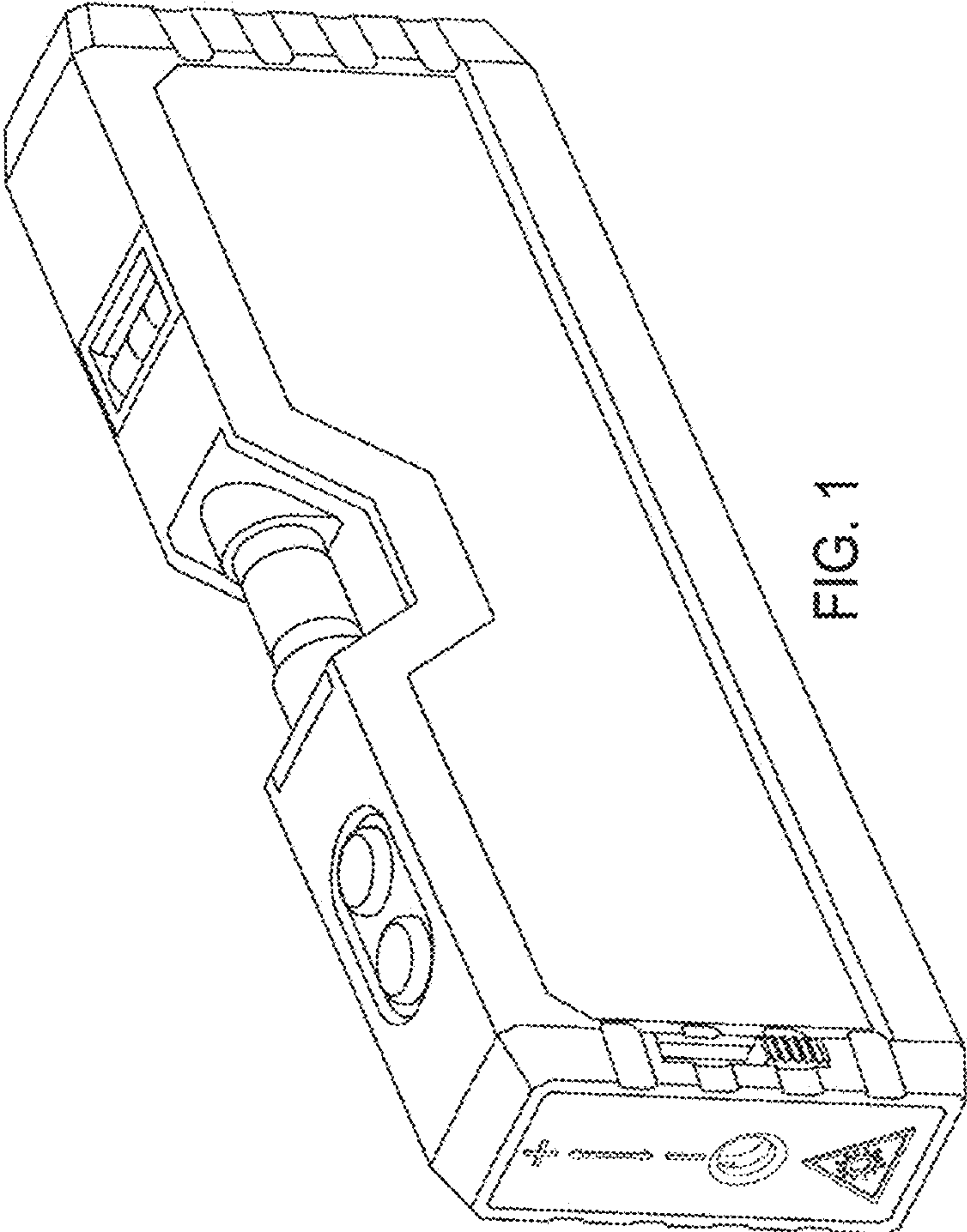


FIG. 1

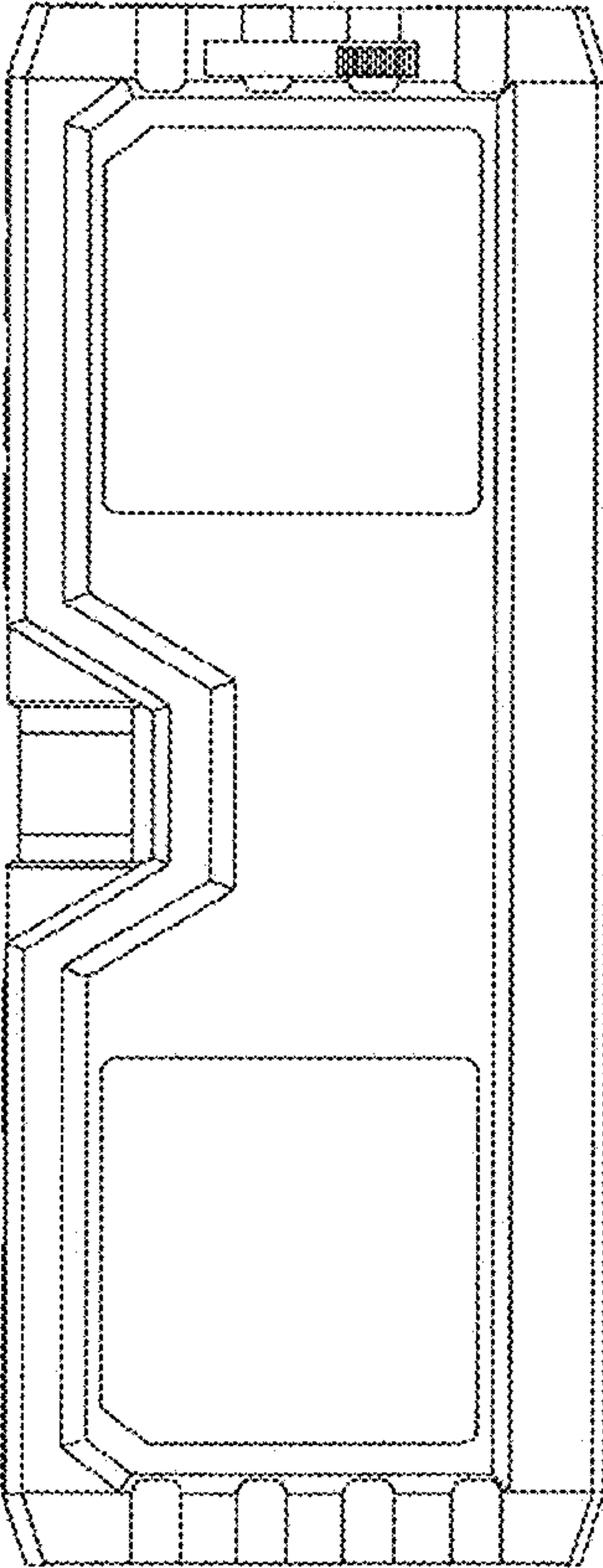


FIG. 2

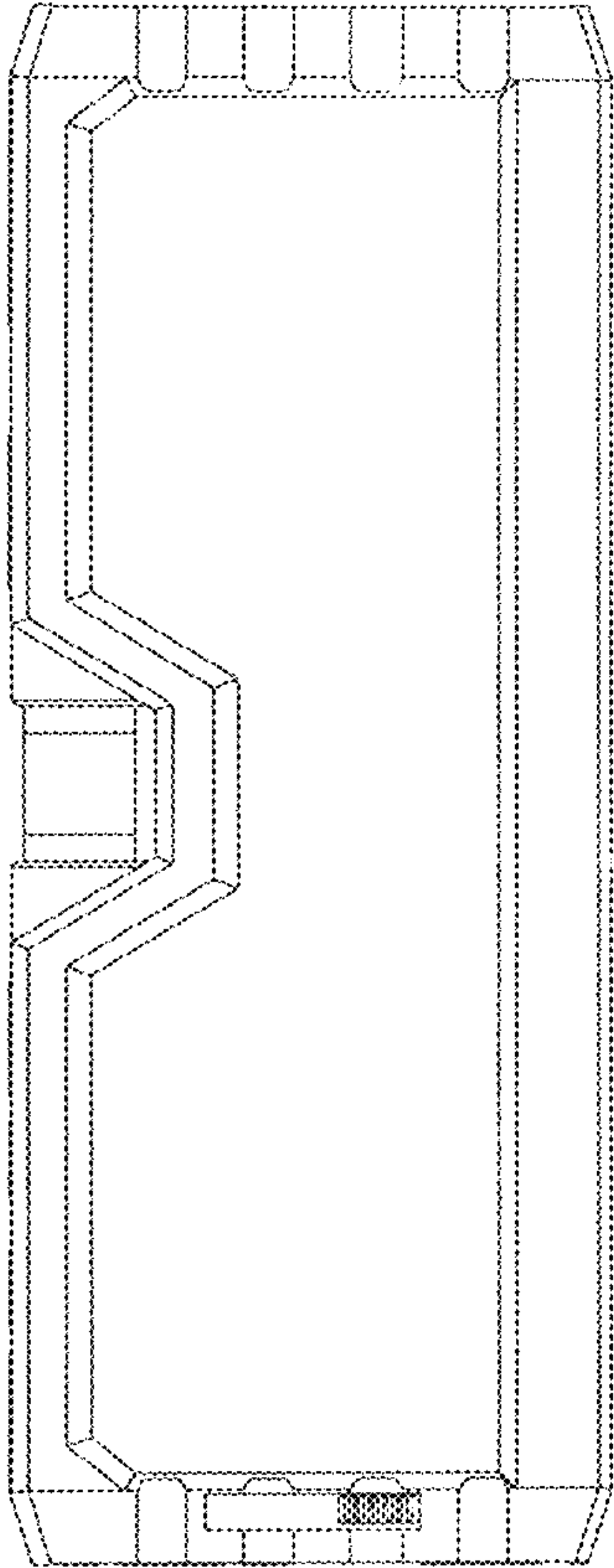


FIG. 3

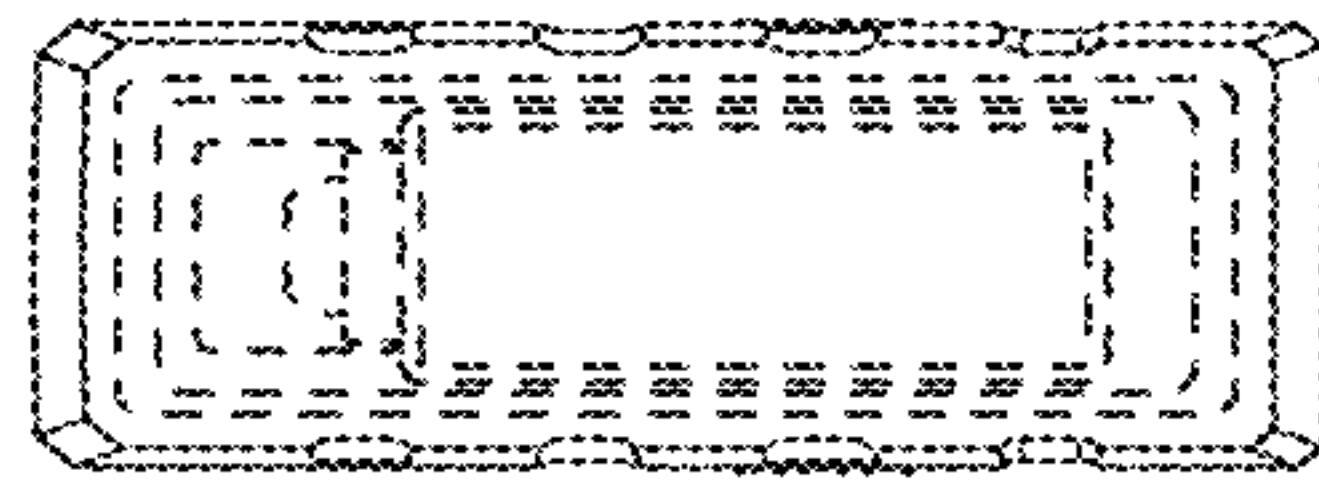


FIG. 4

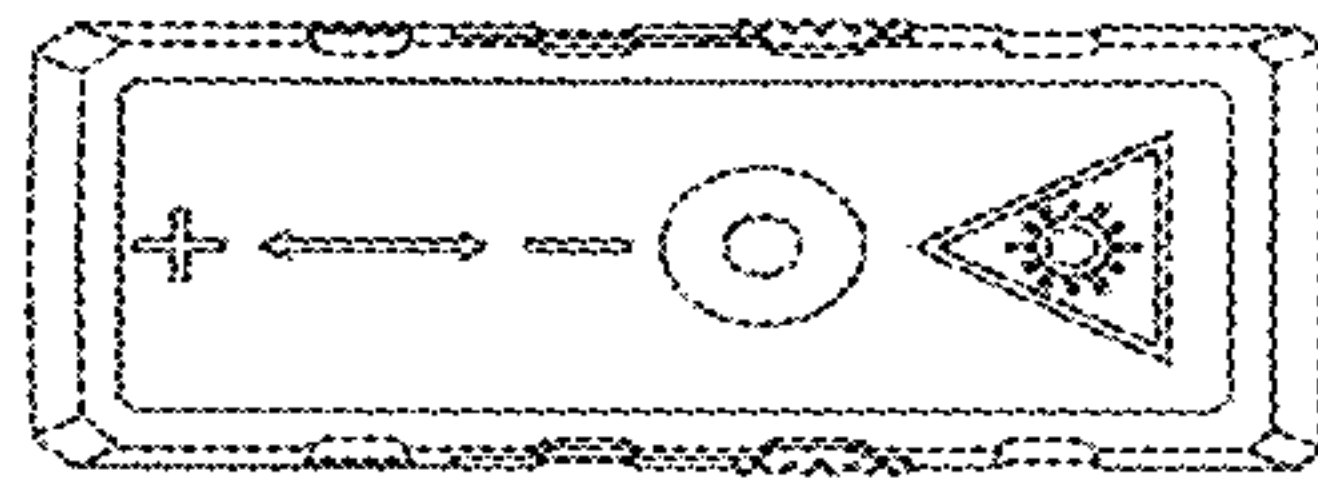


FIG. 5

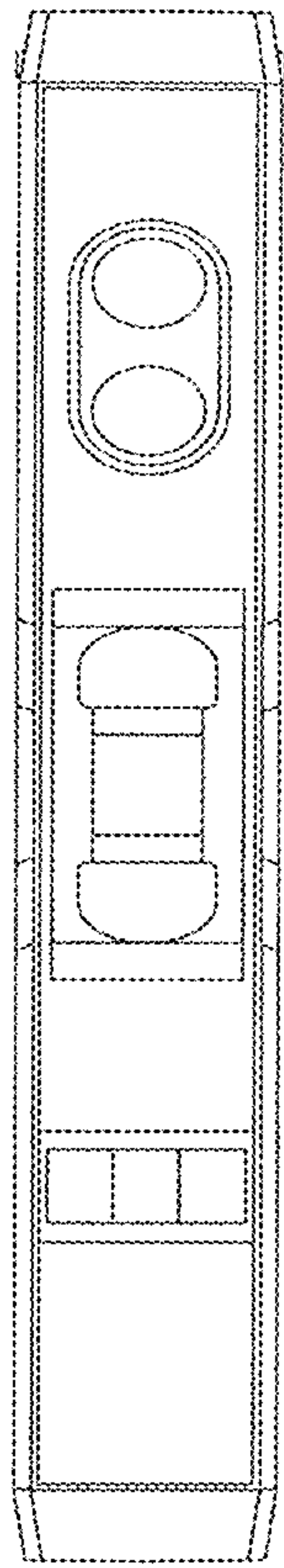


FIG. 6

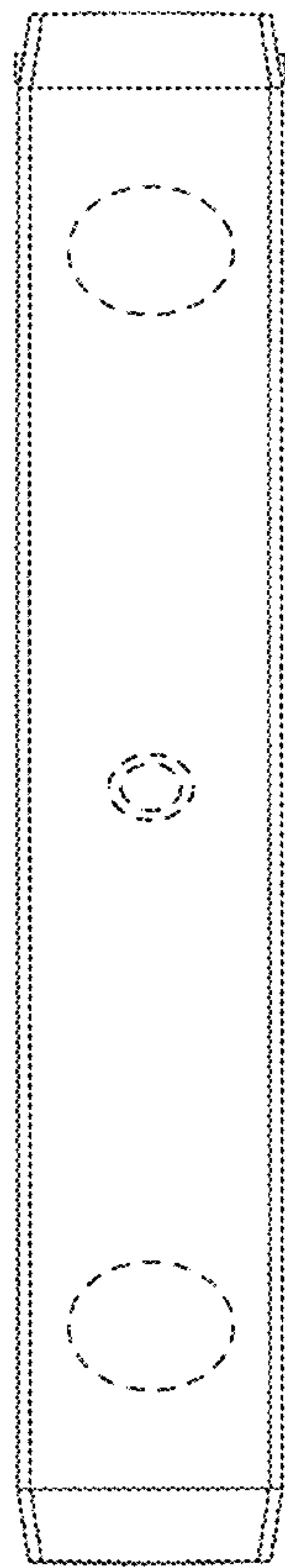


FIG. 7