



US00D922223S

(12) **United States Design Patent**
Xu

(10) **Patent No.:** **US D922,223 S**
(45) **Date of Patent:** **** Jun. 15, 2021**

(54) **GYROSCOPE**

(71) Applicant: **Ying Xu**, Wuhan (CN)

(72) Inventor: **Ying Xu**, Wuhan (CN)

(**) Term: **15 Years**

(21) Appl. No.: **29/695,096**

(22) Filed: **Jun. 14, 2019**

(51) **LOC (13) Cl.** **10-04**

(52) **U.S. Cl.**
USPC **D10/65**

(58) **Field of Classification Search**
USPC D10/65, 69
CPC G01C 19/24; G01C 19/30; G01C 19/56;
G01C 19/5607; G01C 19/5614; G01C
19/5621; G01C 19/5628; G01C 19/5635;
G01C 19/5642; G01C 19/5649; G01C
19/5656; G01C 19/5663; G01C 19/567;
G01C 19/5677; G01C 19/5684; G01C
19/5691; G01C 19/5698; G01C 19/5705;
G01C 19/5712; G01C 19/5719; G01C
19/5726; G01C 19/5733; G01C 19/574;
G01C 19/5747; G01C 19/5755; G01C
19/5762; G01C 19/5769; G01C 19/5776;
G01C 19/5783; G01C 19/58; G01C
19/60; G01C 19/62; G01C 19/64; G01C
19/66; G01C 19/661; G01C 19/662;
G01C 19/664; G01C 19/665; G01C
19/667; G01C 19/668; G01C 19/68;
G01C 19/70; G01C 19/72; G01C 19/721;
G01C 19/722; G01C 19/723; G01C
19/725; G01C 19/726; G01C 19/727;
G01C 19/728; G01C 19/00; G01C 19/02;

G01C 19/025; G01C 19/04; G01C 19/06;
G01C 19/16; G01C 19/26; G01C 19/28

See application file for complete search history.

(56) **References Cited**

U.S. PATENT DOCUMENTS

3,664,199	A *	5/1972	Lahde	G01C 19/08 74/5.6 D
6,688,174	B1 *	2/2004	Gallon	G01C 19/668 73/493
7,181,987	B2 *	2/2007	Hamady	A63B 21/22 74/5.12
8,493,566	B2 *	7/2013	Gutty	G01C 19/665 356/473
10,551,189	B2 *	2/2020	McGuinness	A63B 21/222
10,556,479	B2 *	2/2020	Scheurich	F16F 15/02

* cited by examiner

Primary Examiner — Antoine Duval Davis

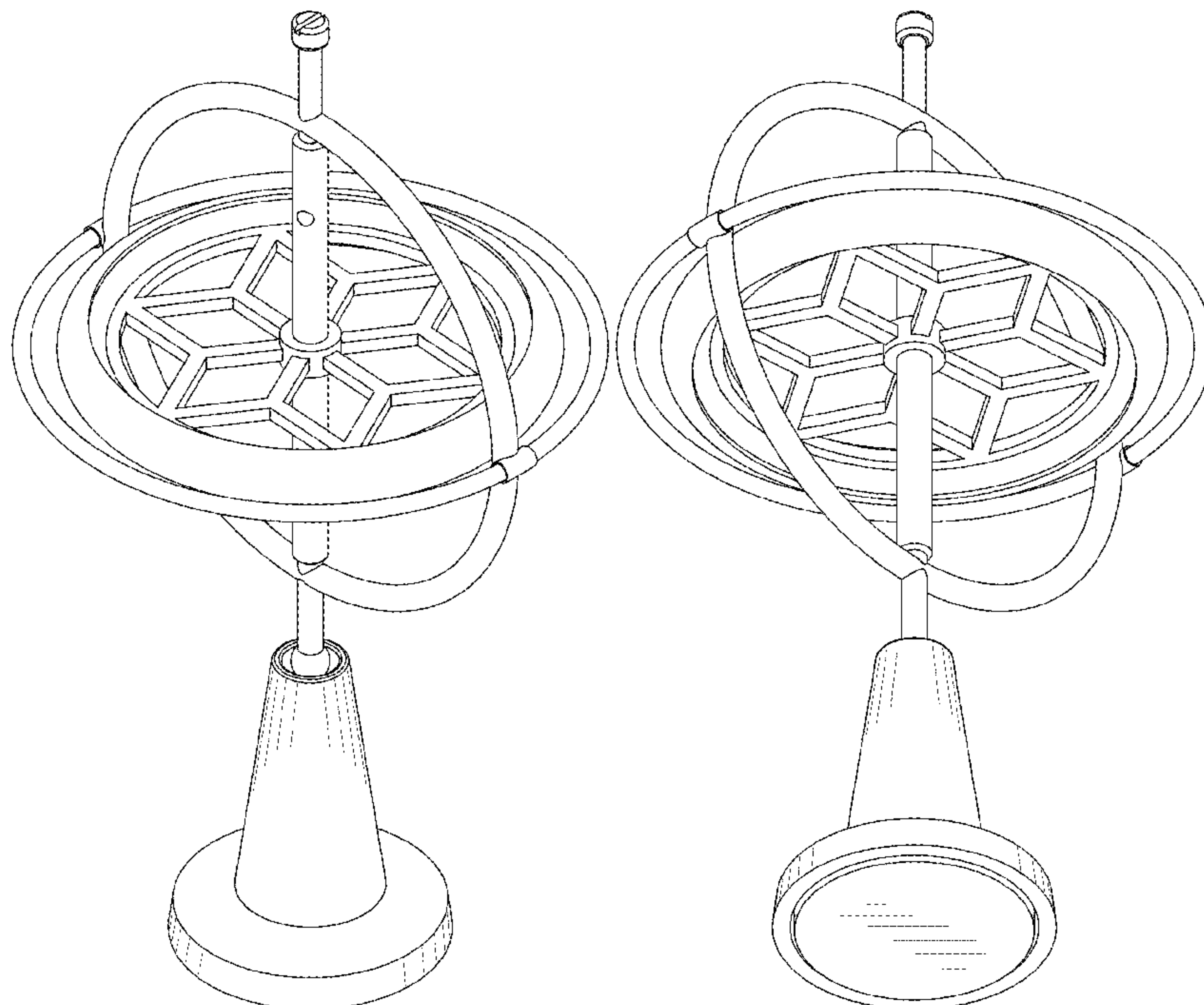
(57) **CLAIM**

The ornamental design for a gyroscope, as shown and described.

DESCRIPTION

FIG. 1 is a top, front perspective view of the gyroscope showing my new design;
FIG. 2 is a bottom, rear perspective view thereof;
FIG. 3 is a front elevational view thereof;
FIG. 4 is a rear elevational view thereof;
FIG. 5 is a left side elevational view thereof;
FIG. 6 is a right side elevational view thereof;
FIG. 7 is a top plan view thereof; and,
FIG. 8 is a bottom plan view thereof.

1 Claim, 8 Drawing Sheets



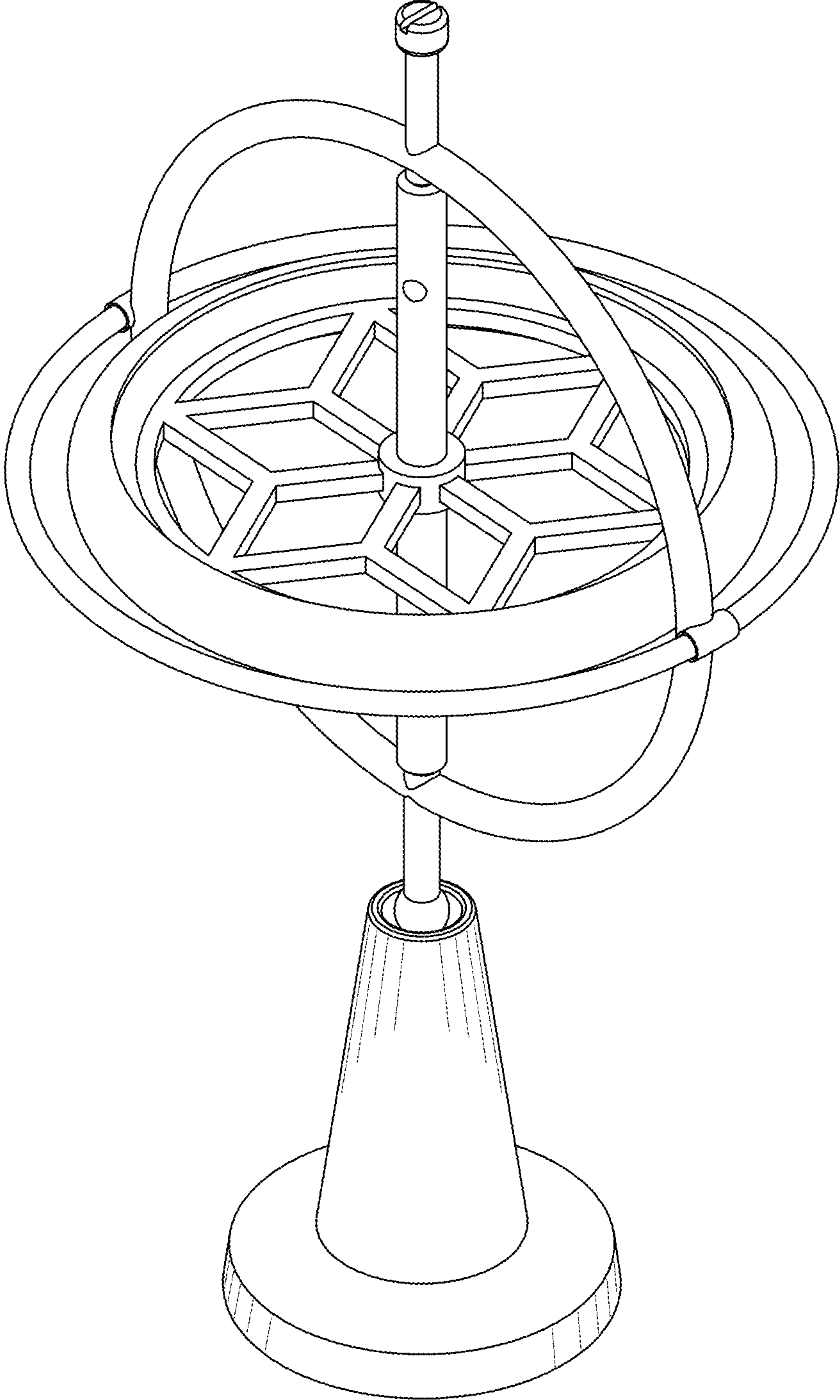


FIG. 1

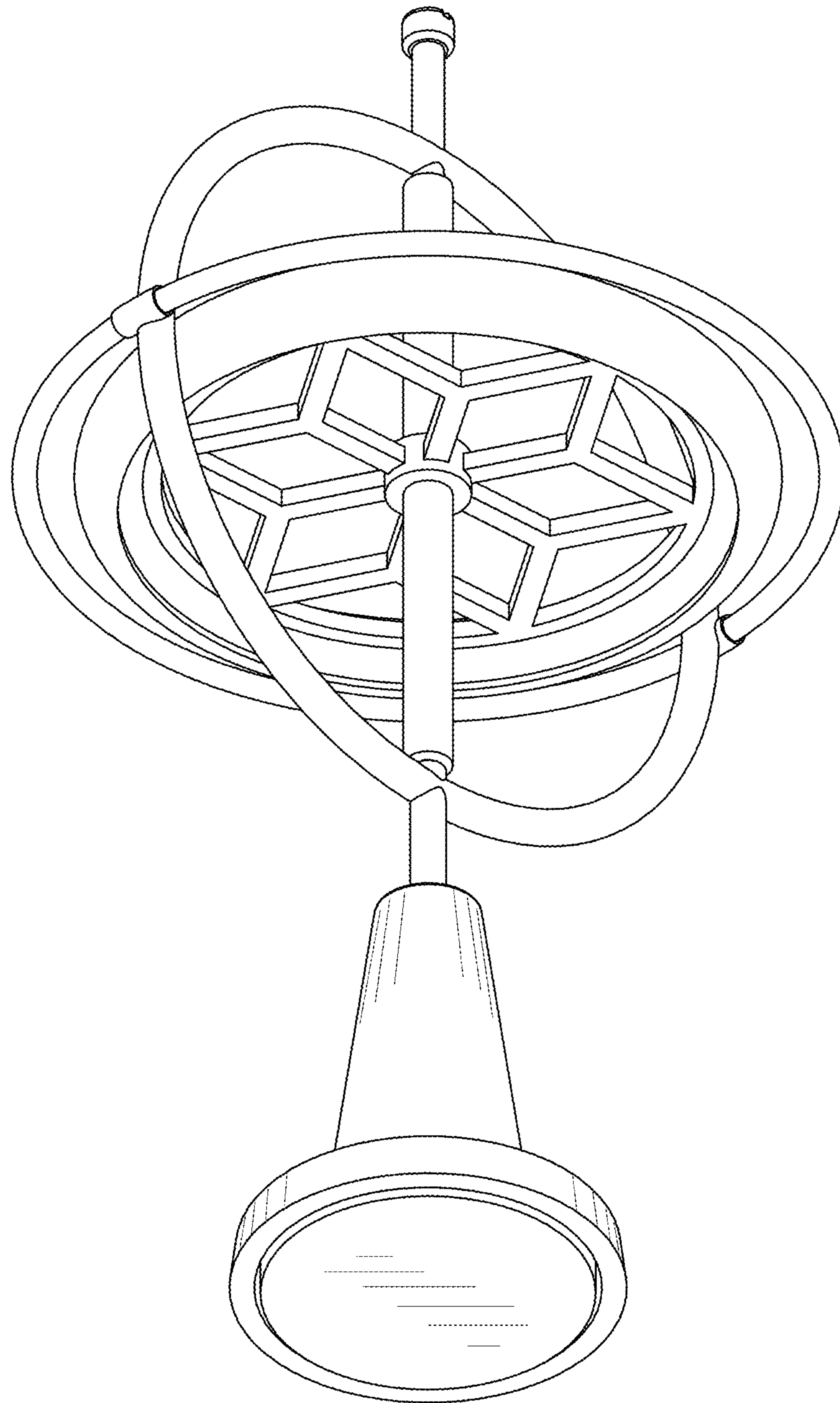


FIG.2

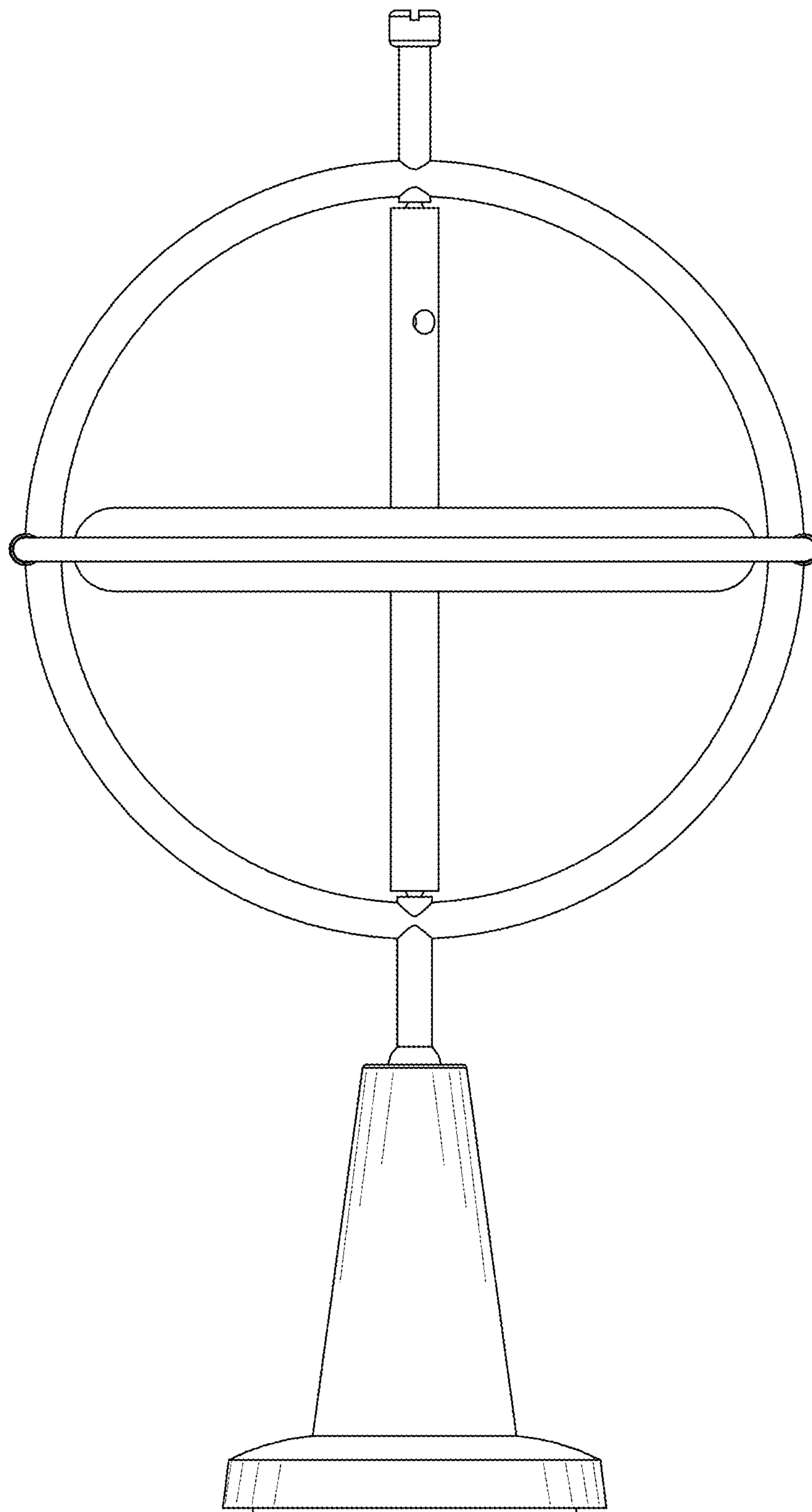


FIG.3

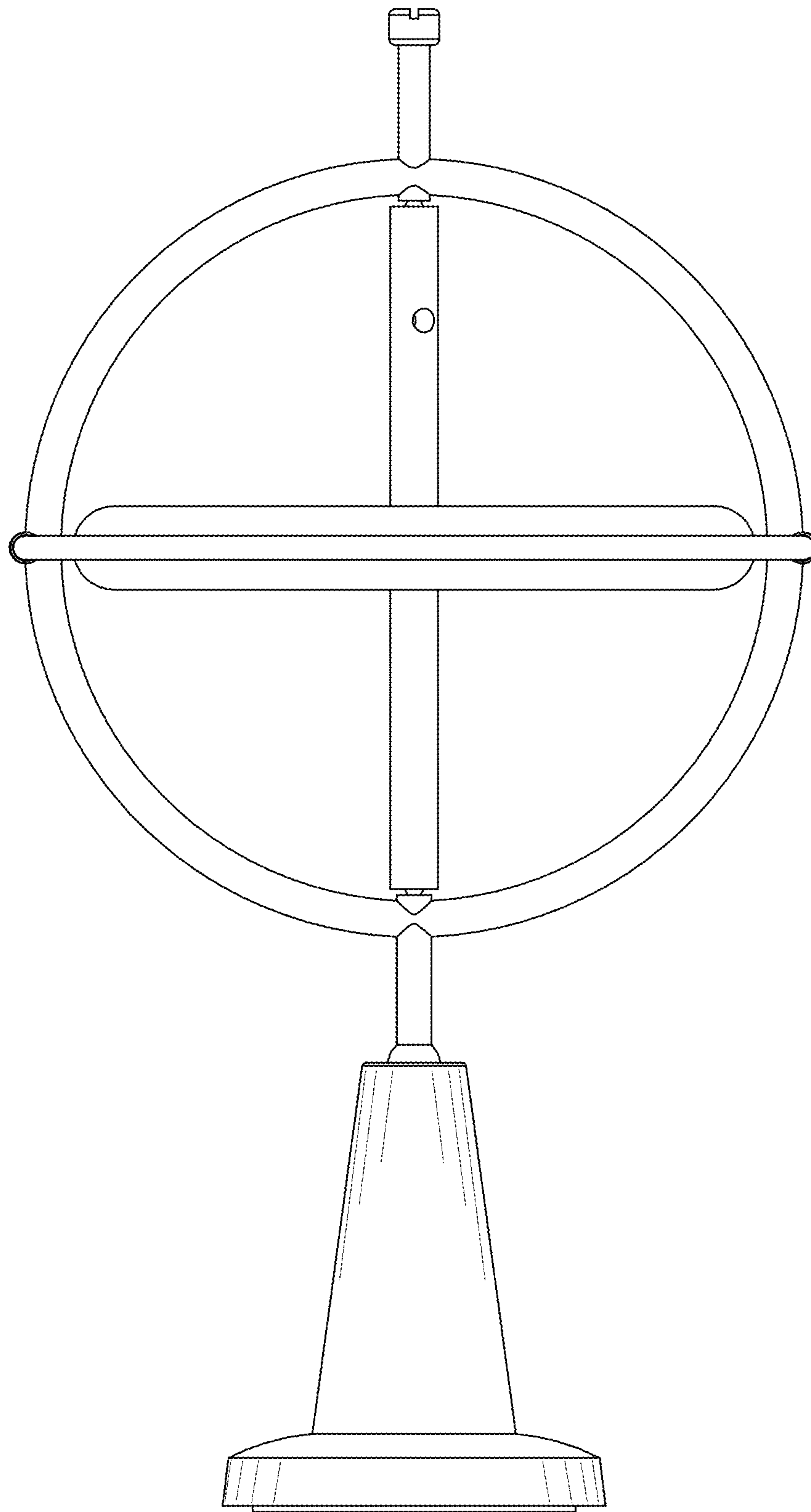


FIG.4

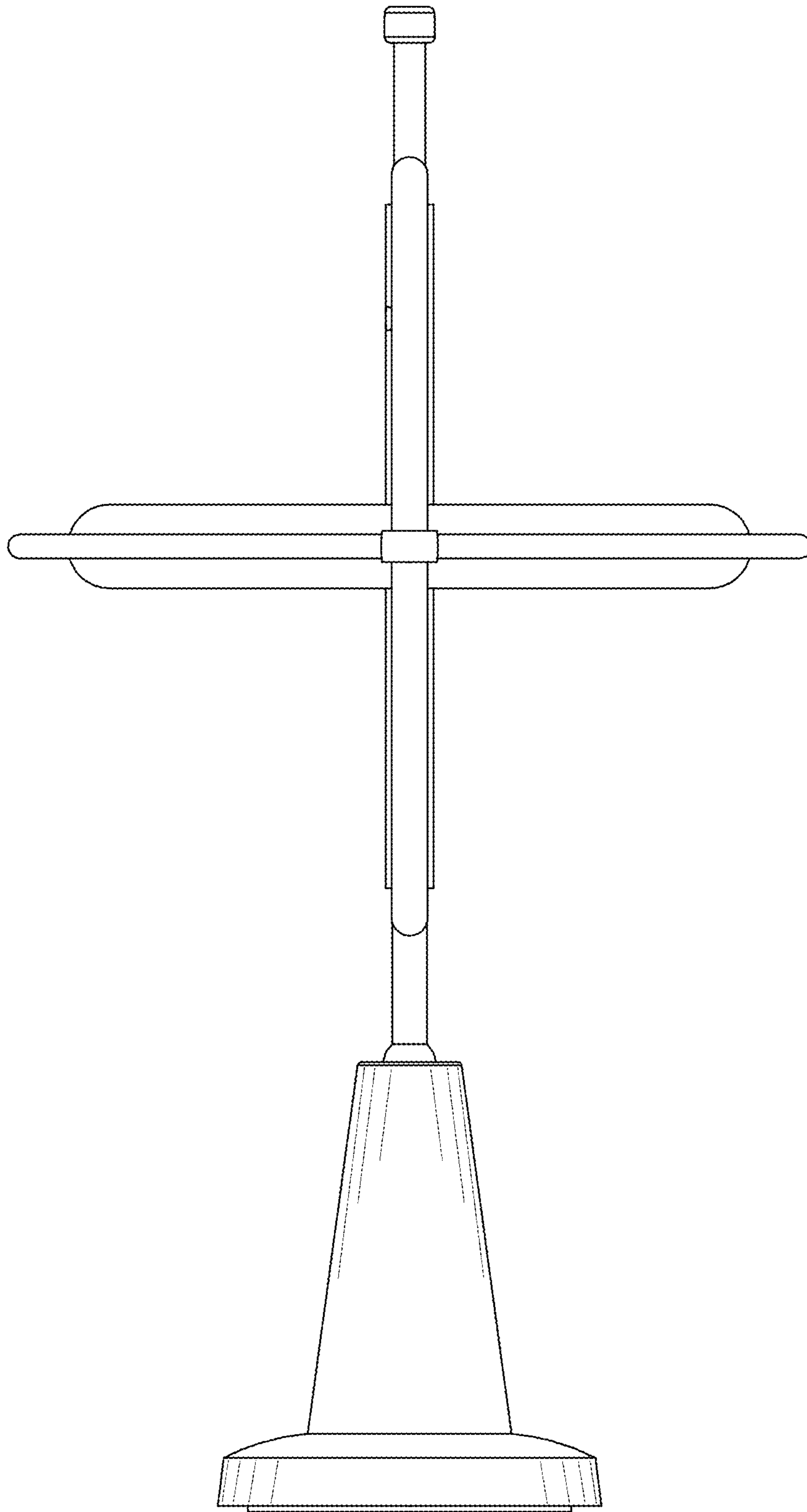


FIG.5

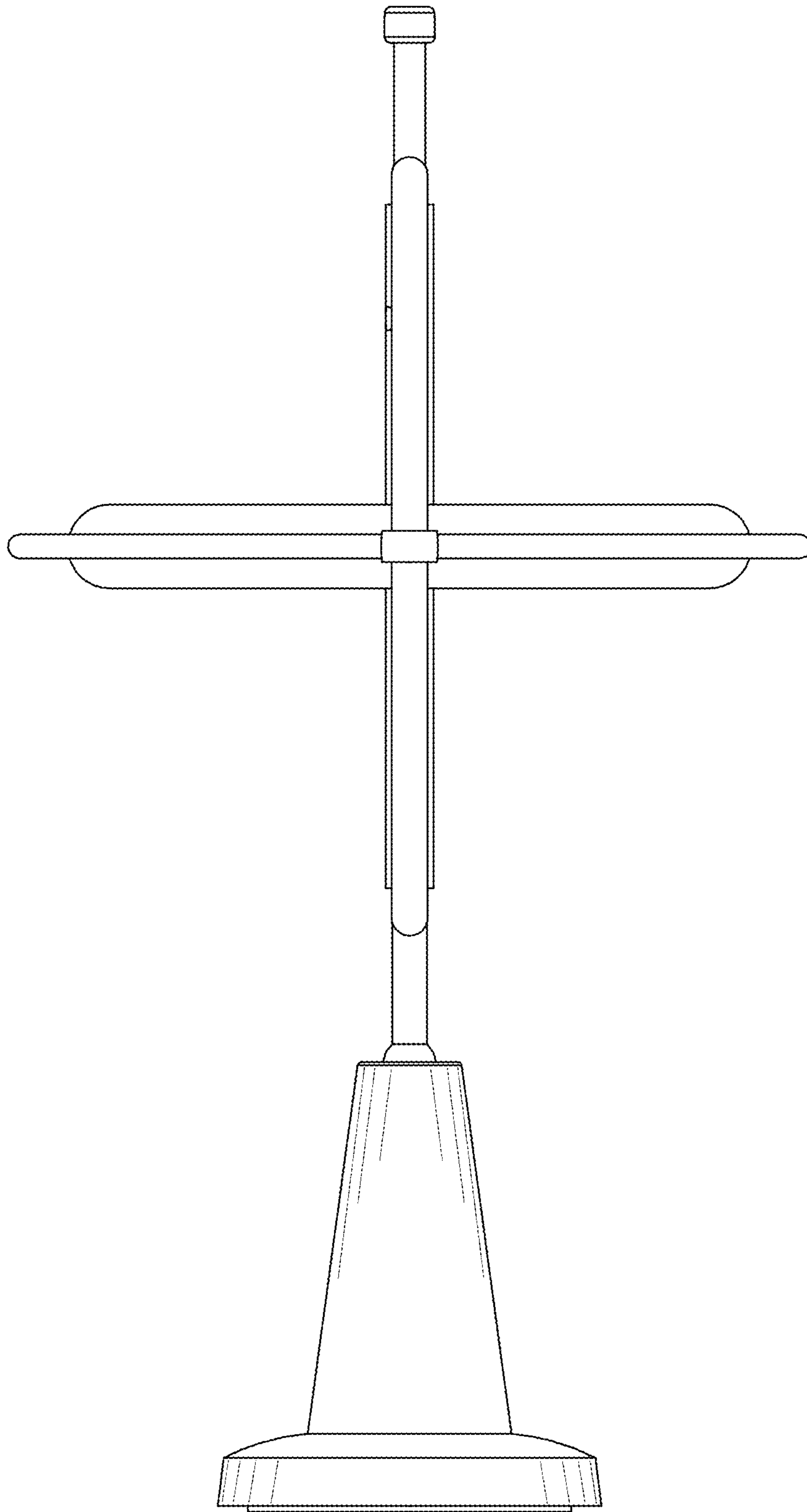


FIG.6

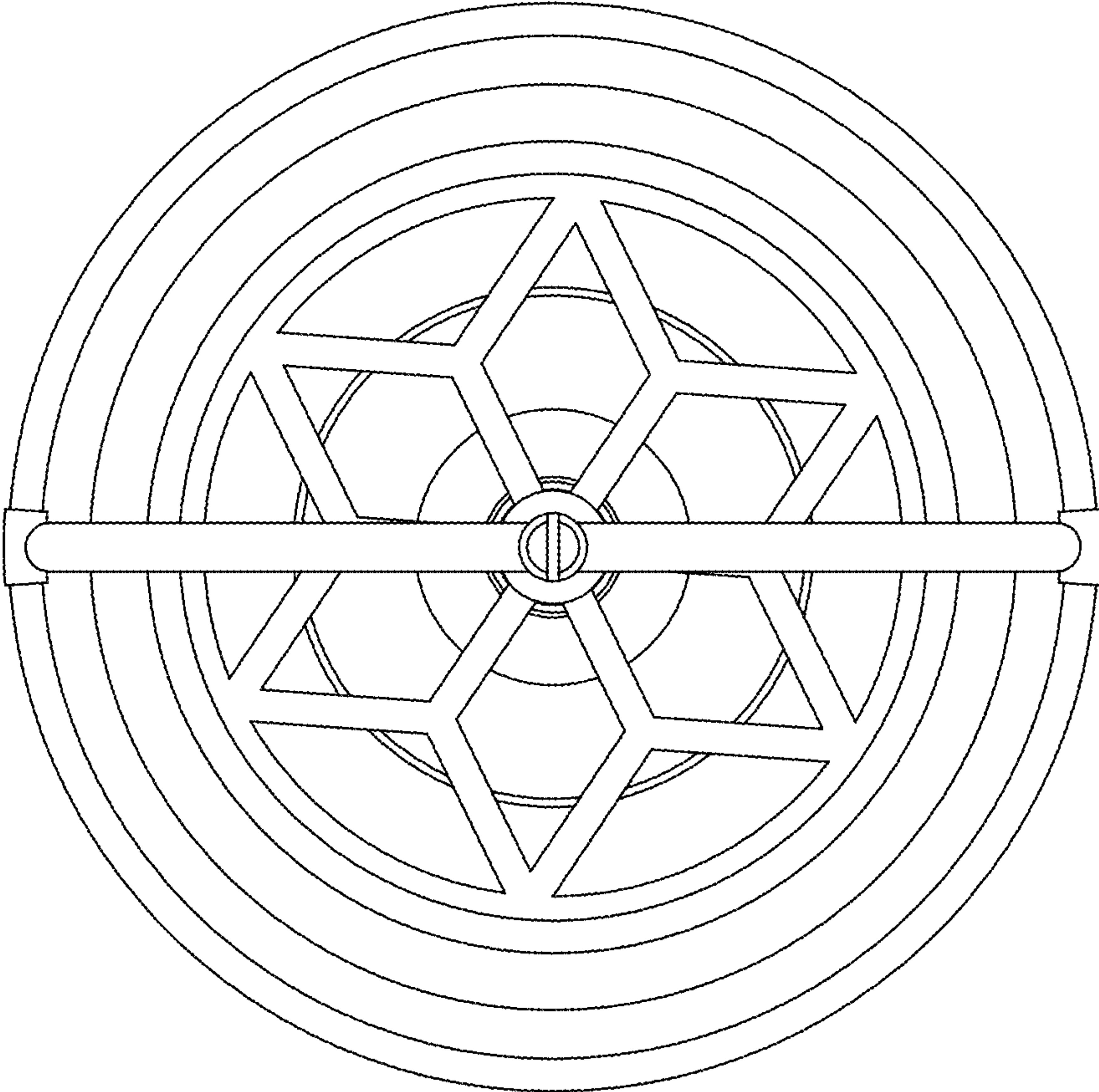


FIG.7

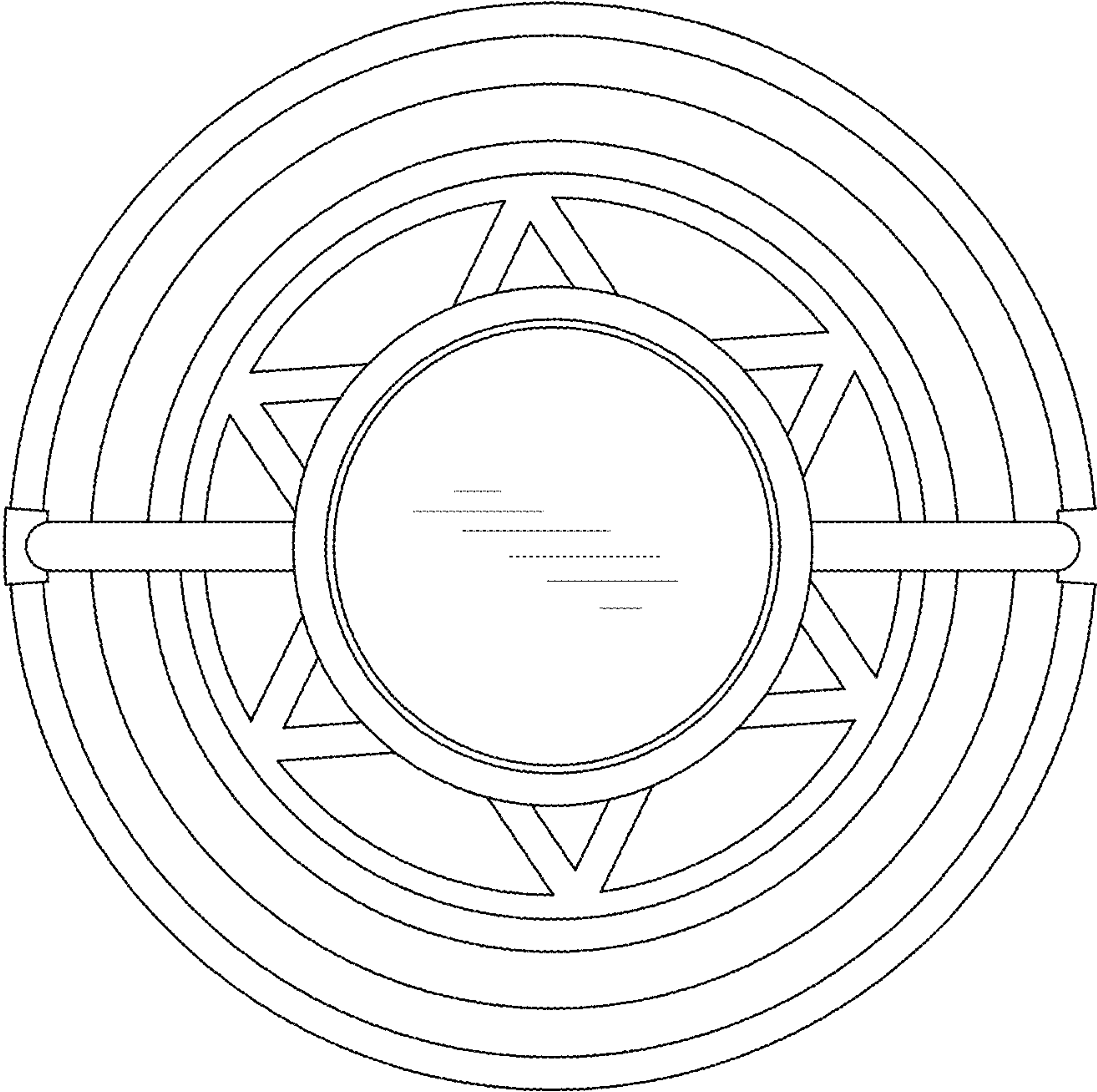


FIG.8