



US00D922222S

(12) **United States Design Patent**
Bailey

(10) **Patent No.:** **US D922,222 S**
(45) **Date of Patent:** **** Jun. 15, 2021**

(54) **MARINE ELECTRONICS DISPLAY DEVICE**

(71) Applicant: **NAVICO HOLDING AS**, Egersund (NO)

(72) Inventor: **Paul Robert Bailey**, Auckland (NZ)

(73) Assignee: **NAVICO HOLDING AS**, Egersund (NO)

(**) Term: **15 Years**

(21) Appl. No.: **29/661,946**

(22) Filed: **Aug. 31, 2018**

(51) **LOC (13) Cl.** **10-04**

(52) **U.S. Cl.**
USPC **D10/65**

(58) **Field of Classification Search**

USPC D10/49, 50, 65, 103; D13/162, 168; D14/126, 336, 371, 374, 389

CPC A01K 97/00; B63B 49/00; B63B 45/08; G08B 1/08; G01C 21/20; G01C 21/203; G01C 21/24; G01C 21/265; G01C 21/28; G01C 21/30; G01C 21/32; G01C 13/008; G09B 29/007; G09B 29/008; G05D 1/0206; G01S 15/025; G01S 15/88; G01S 15/96; G01S 7/4813; G01S 7/521; G01S 7/526; G01S 7/527; G01S 7/5273; G01S 7/5276; G01S 27/529; G01S 7/53; G01S 7/531; G01S 7/533; G01S 7/56; G01S 7/58; G01S 7/62; G01S 7/64; G01S 7/6209; G01S 7/6218; G01S 7/6227; G01S 7/6236; G01S 7/6245; G01S 7/6254; G01S 7/6263; G01S 7/6272; G01S 7/6281; G01S 7/629; Y02T 70/745; A61B 5/4869; A61B 5/4872; A61B 5/0537; A61B 5/7442-5/745; A61B
(Continued)

(56) **References Cited**

U.S. PATENT DOCUMENTS

D689,384 S * 9/2013 Morikawa D10/65
D733,594 S * 7/2015 Bowman D10/70
D736,106 S * 8/2015 Bowman D10/70

OTHER PUBLICATIONS

TackleDirect; "Lowrance HDS-7 Gen3 Fishfinders", retrieved from <<https://www.tackledirect.com/lowrance-hds-7-gen3-fishfinders.html>> 4 pages.

(Continued)

Primary Examiner — Antoine Duval Davis

(74) *Attorney, Agent, or Firm* — Nelson Mullins Riley & Scarborough LLP

(57) **CLAIM**

The ornamental design for a marine electronics display device, as shown and described.

DESCRIPTION

FIG. 1 is a front perspective view of a marine electronics display device in accordance with an embodiment of the present invention;

FIG. 2 is a rear perspective view of the marine electronics display device of FIG. 1;

FIG. 3 is a front view of the marine electronics display device of FIG. 1;

FIG. 4 is a rear view of the marine electronics display device of FIG. 1;

FIG. 5 is a right side view of the marine electronics display device of FIG. 1;

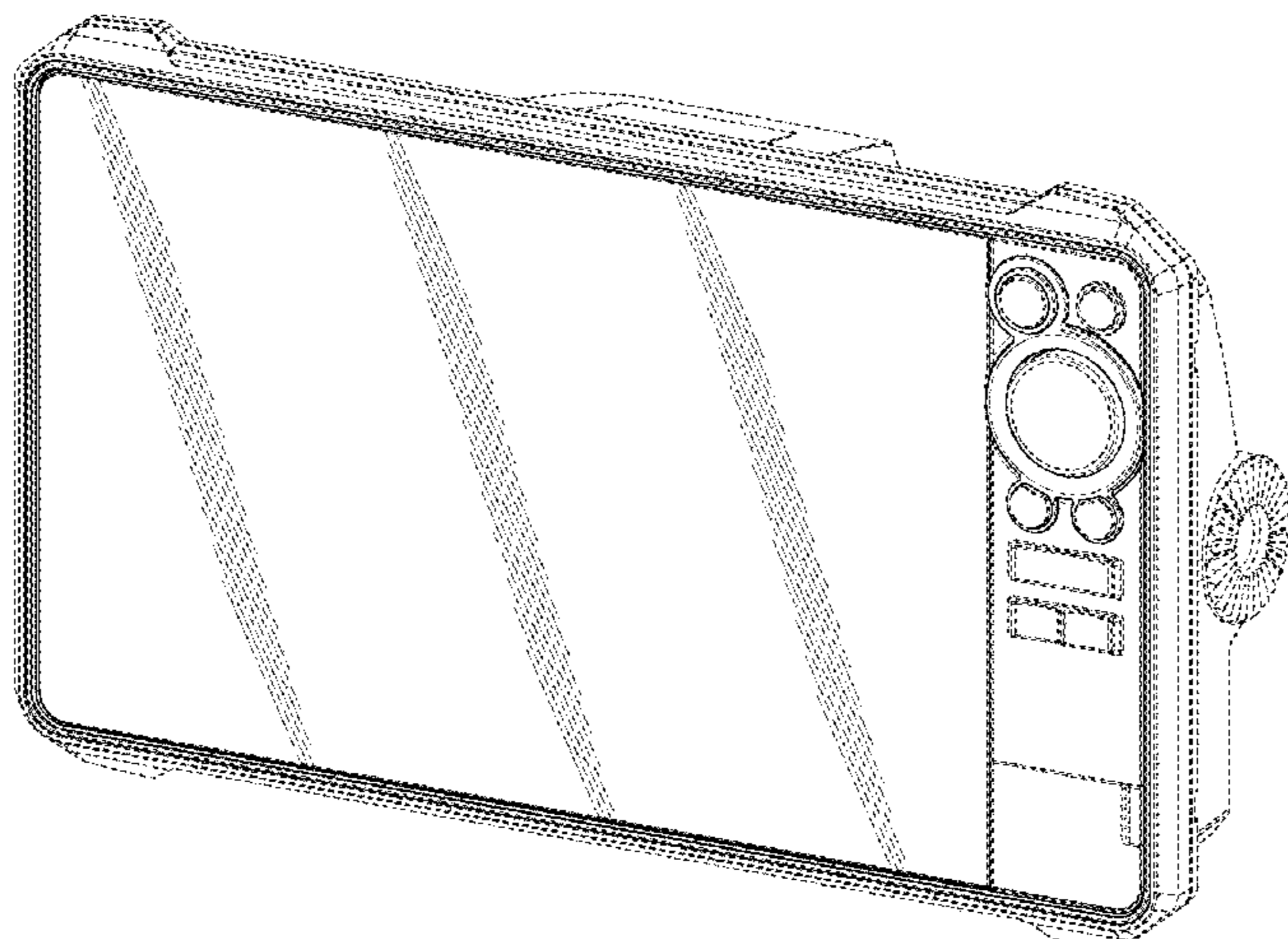
FIG. 6 is a left side view of the marine electronics display device of FIG. 1;

FIG. 7 is a bottom view of the marine electronics display device of FIG. 1; and,

FIG. 8 is a top view of the marine electronics display device of FIG. 1.

The broken lines immediately adjacent the shaded areas represent the bounds of the claimed design while all other broken lines are directed to environment and are for illustrative purposes only; the broken lines form no part of the claimed design.

1 Claim, 8 Drawing Sheets



(58) **Field of Classification Search**

CPC 8/46-8/469; G01G 1/00-1/42; G01G 3/00-3/18; G01G 5/00-5/06; G01G 7/00-7/06; G01G 9/00; G01G 11/00-11/20; G01G 13/00-13/34; G01G 15/00-2015/047; G01G 17/00-17/08; G01G 19/00-21/30; G01G 23/00-23/48; G10G 9/005; G06F 1/16; G06F 1/1601; G06F 1/1603; G06F 1/1605; G06F 1/1607; G06F 1/1609; G06F 1/1611; G06F 1/1613; G06F 1/1615; G06F 1/1616; G06F 1/1618; G06F 1/162; G06F 1/1622; G06F 1/1624; G06F 1/1626; G06F 1/1628; G06F 1/163; G06F 1/1632; G06F 1/1633; G06F 1/1635; G06F 1/1637; G06F 1/1639; G06F 1/1641; G06F 1/1643; G06F 1/1645; G06F 1/1647; G06F 1/1649; G06F 1/165; G06F 1/1652; G06F 1/1654; G06F 1/1656; G06F 1/1658; G06F 1/166; G06F 1/1662; G06F 1/1664; G06F 1/1666; G06F 1/1667; G06F 1/1669; G06F 1/1671; G06F 1/1673; G06F 1/1675; G06F

1/1677; G06F 1/1679; G06F 1/1681; G06F 1/1683; G06F 1/1684; G06F 1/1686; G06F 1/1688; G06F 1/169; G06F 1/1692; G06F 1/1694; G06F 1/1696; G06F 1/1698; G06F 3/04842; G01N 2015/1488; Y10S 715/97

See application file for complete search history.

(56)

References Cited

OTHER PUBLICATIONS

Lowrance; "HDS-5 Gen2 Lake Insight Transducer", retrieved from <<https://www.amazon.com/Lowrance-HDS-5-Gen2-Insight-Transducer/dp/B006MGU2B8>>, 9 pages.

FishFinderGuy; "Lowrance HDS 9 gen2 Touch Review", retrieved from <<https://www.fishfinderguy.com/lowrance-hds-9-gen2-touch-review/>>, 7 pages.

Alternative Offroad; "Lowrance HDS-9 Gen3 9" Touch Screen GPS", retrieved from <http://www.alternativeoffroad.com/Lowrance-HDS-9-Gen3-9-Touch-Screen-GPS_p_4089.html>, 4 pages.

* cited by examiner

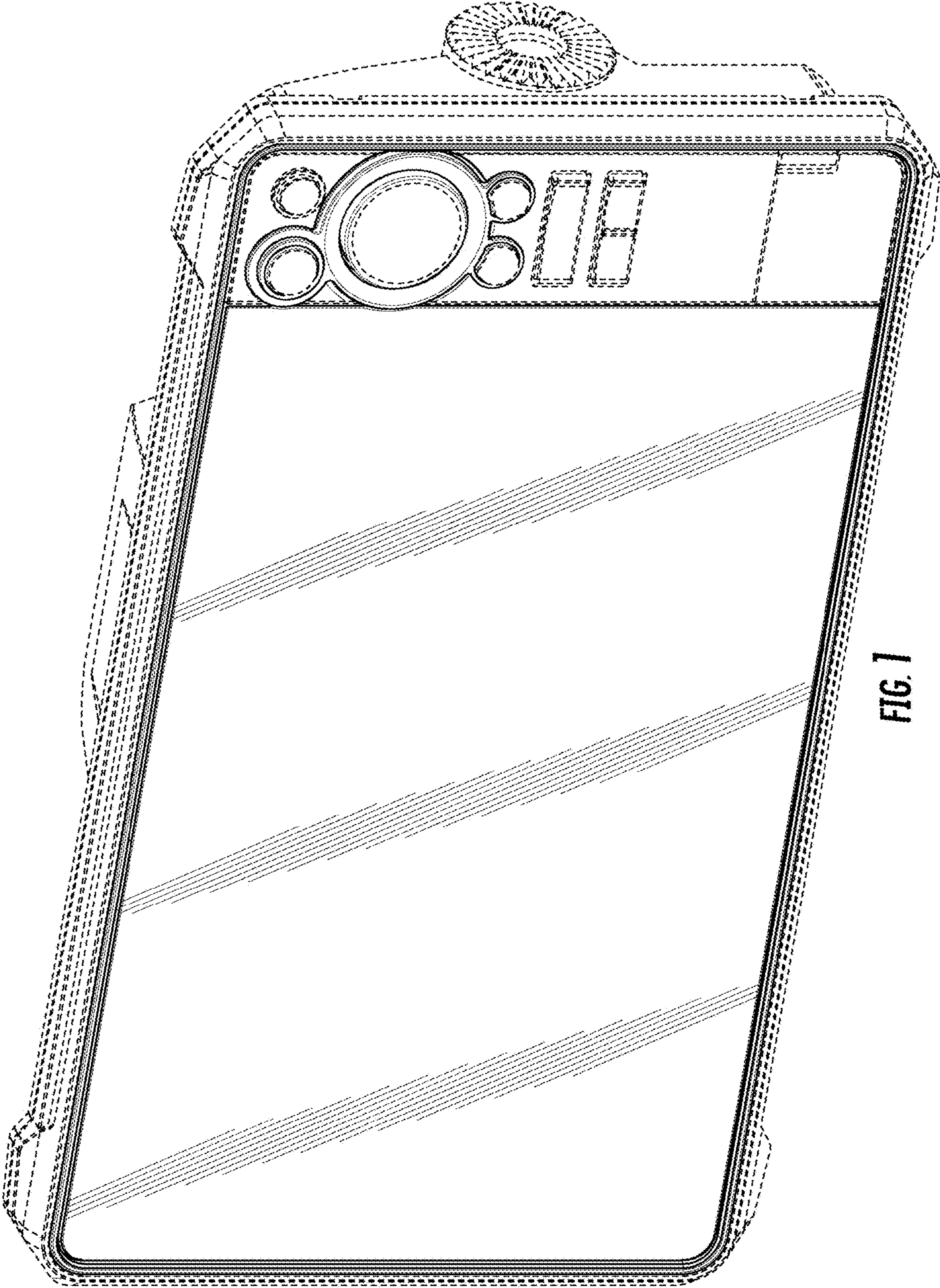


FIG. 1

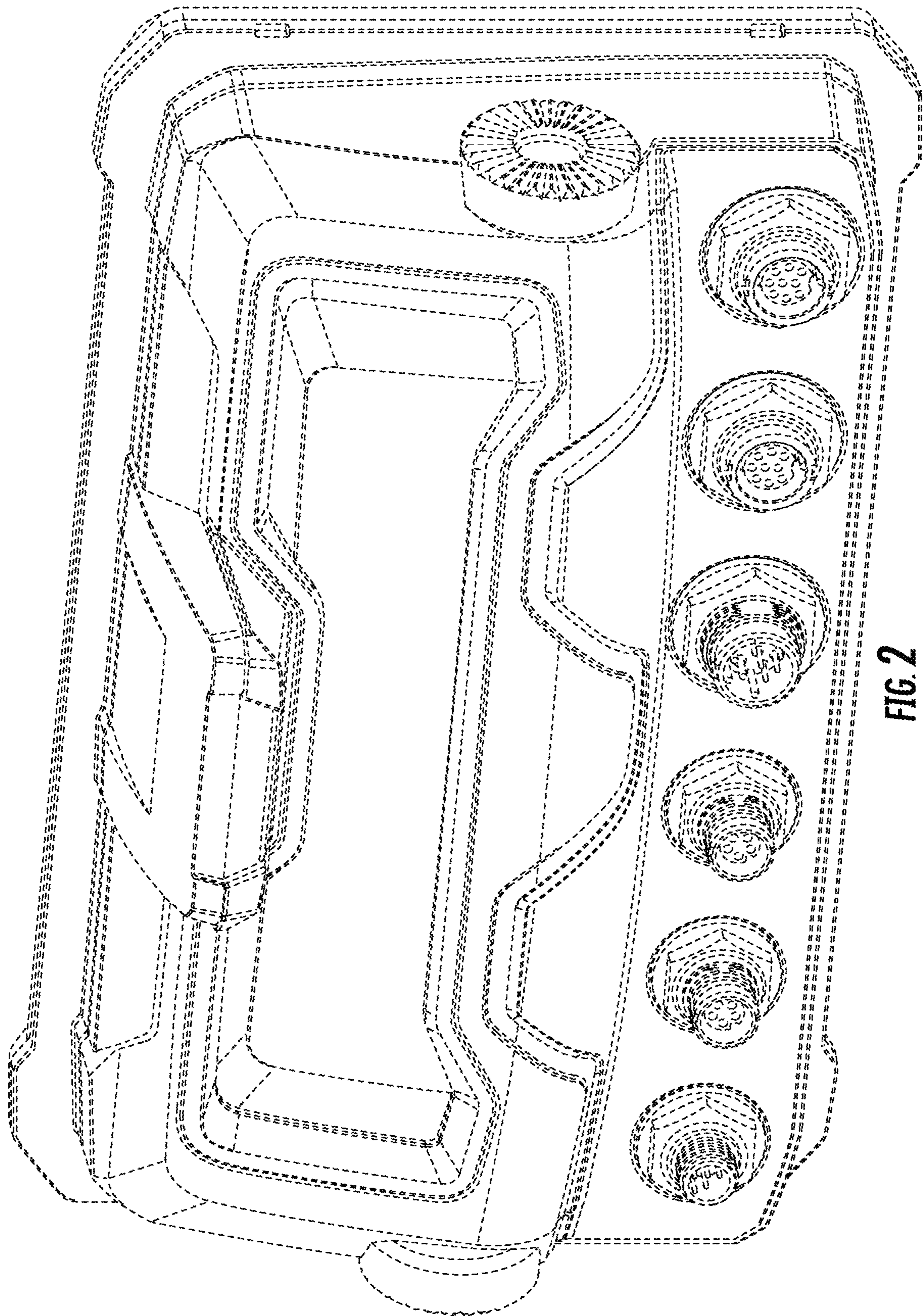


FIG. 2

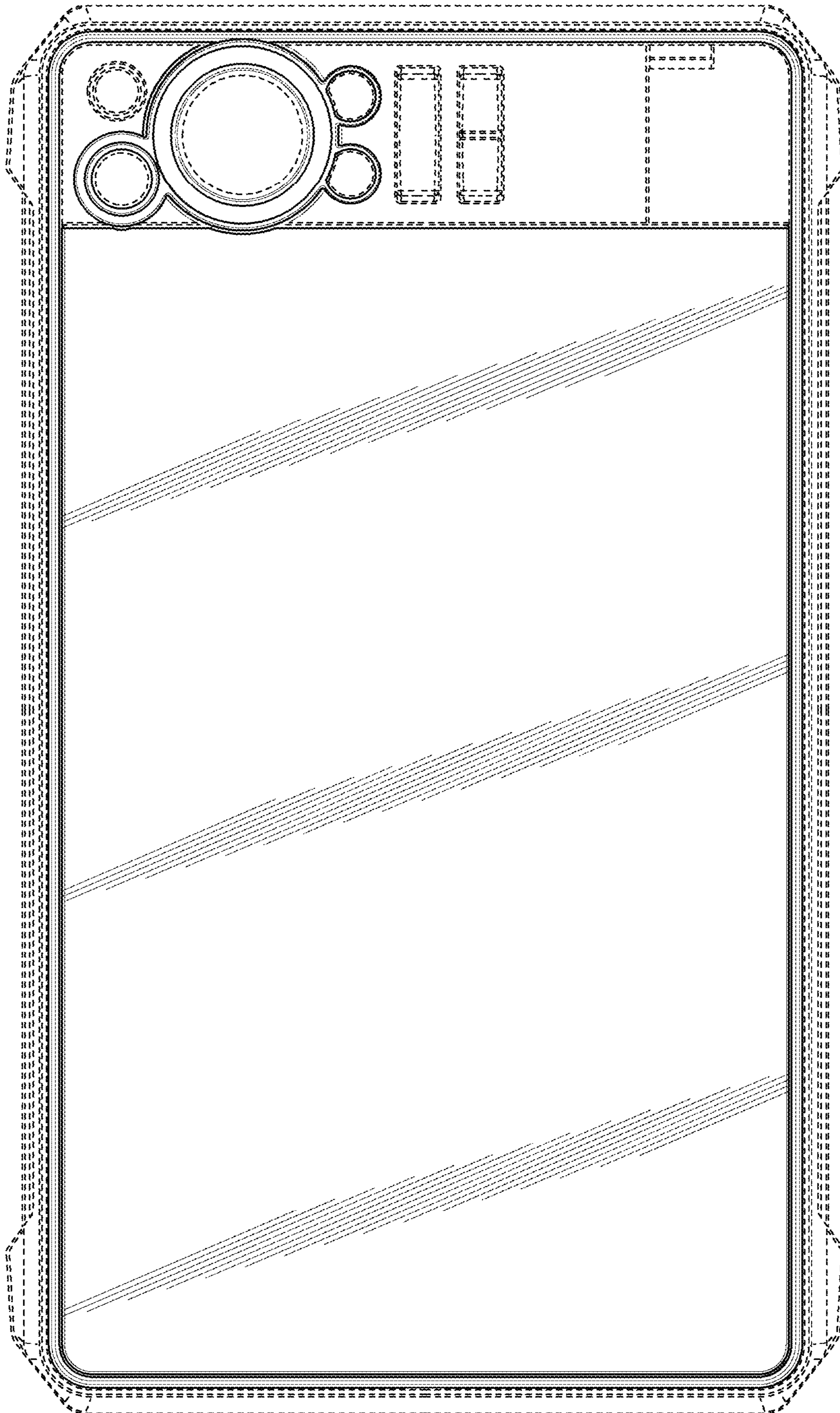


FIG. 3

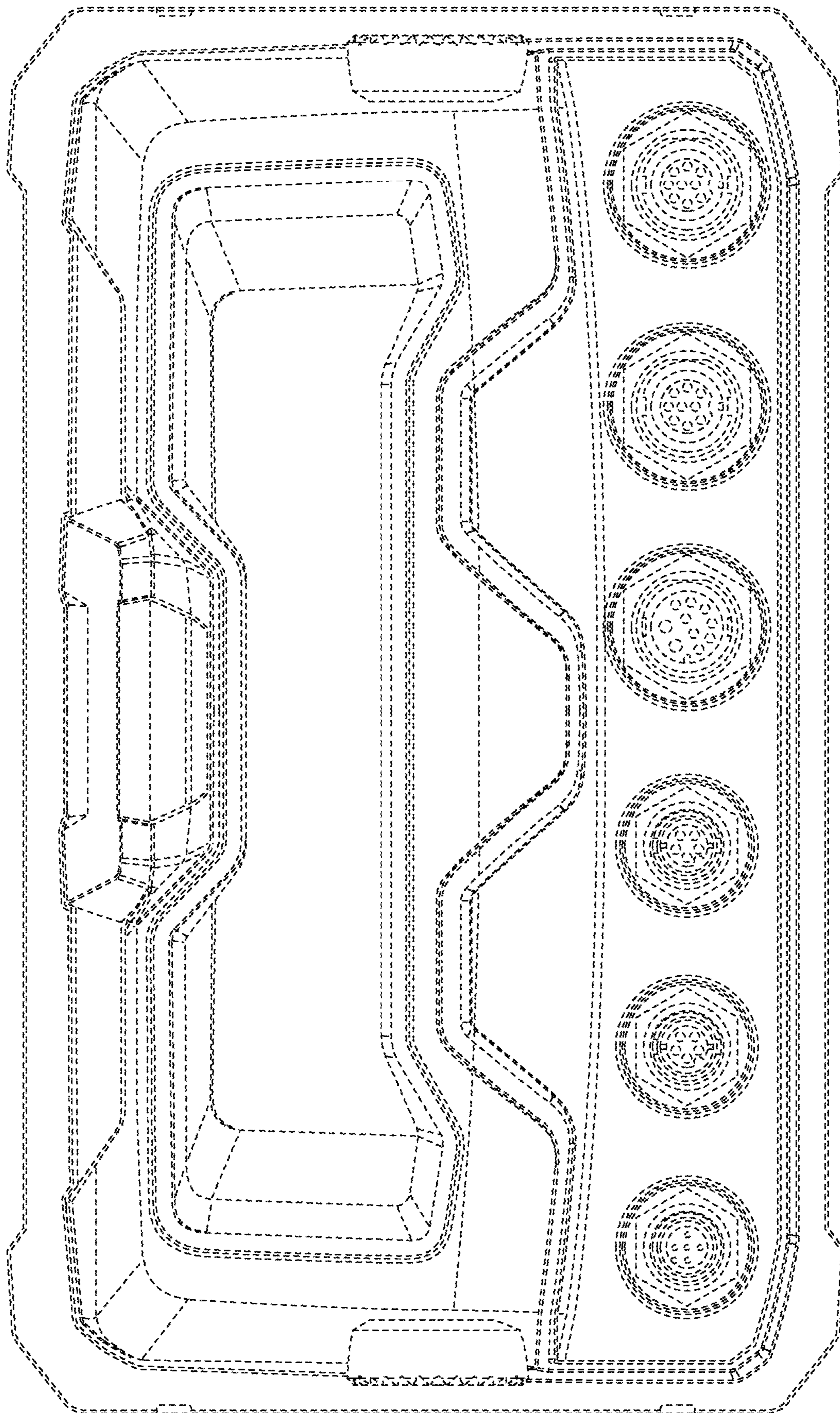


FIG. 4

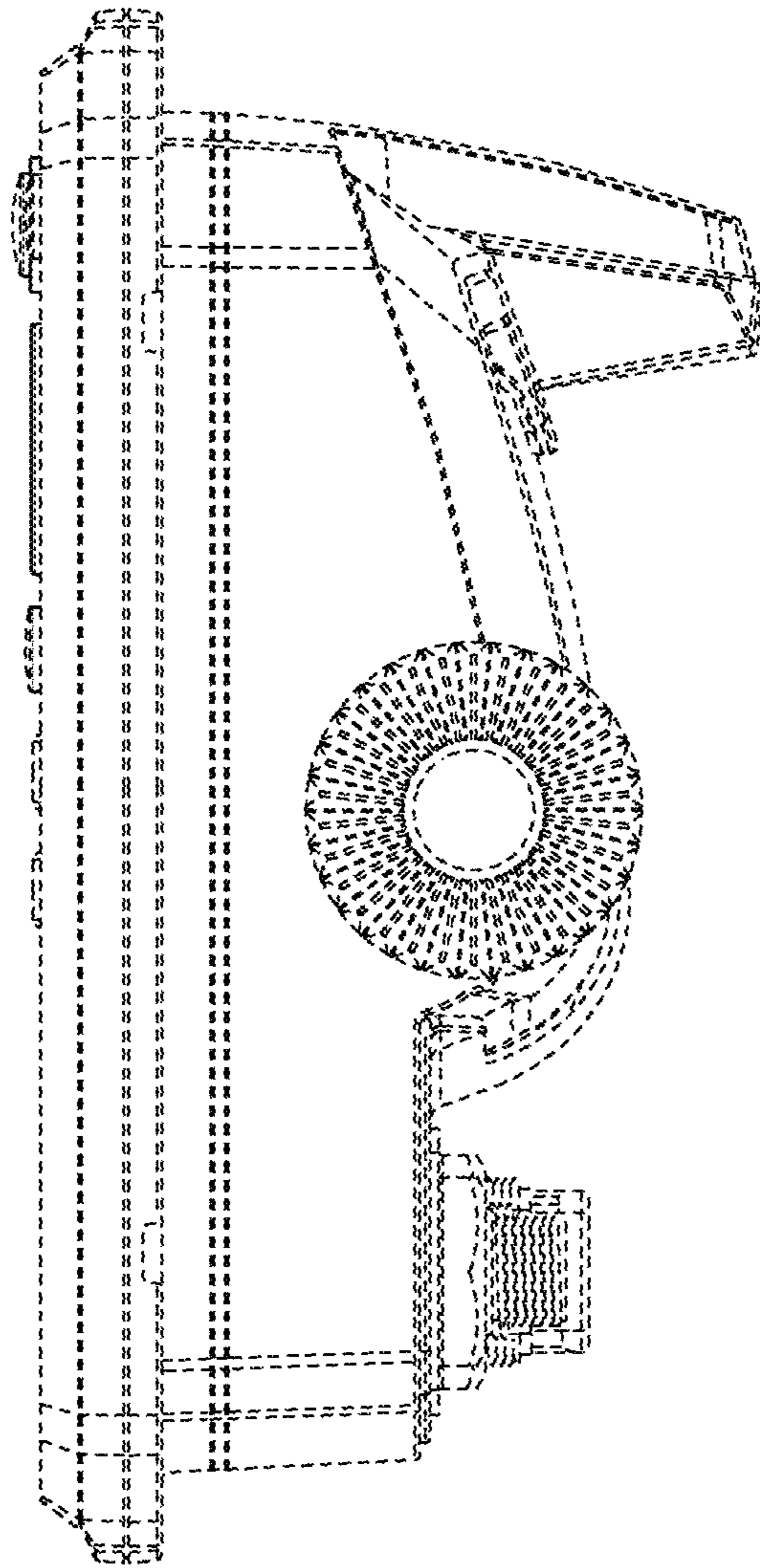


FIG. 5

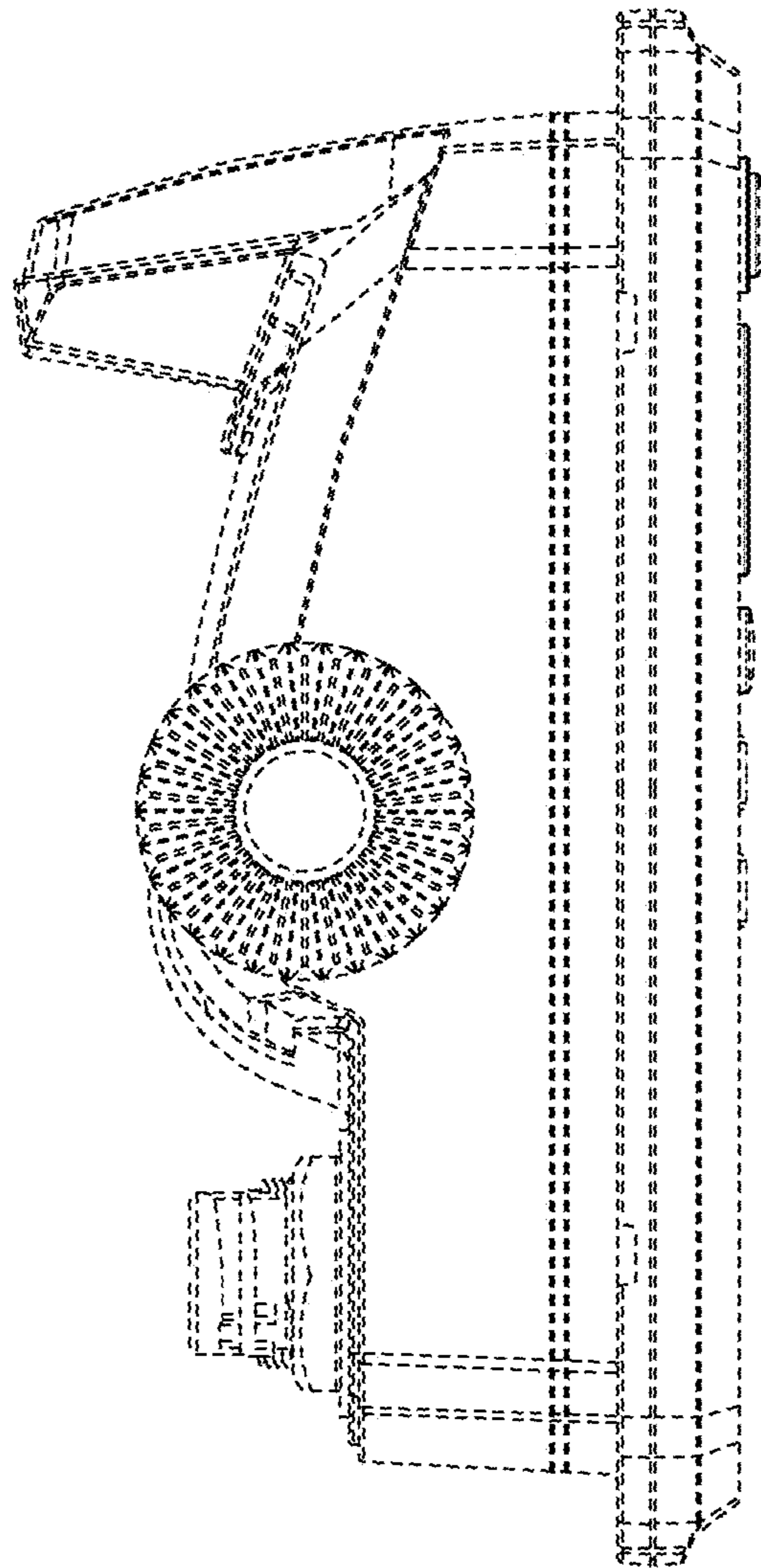


FIG. 6

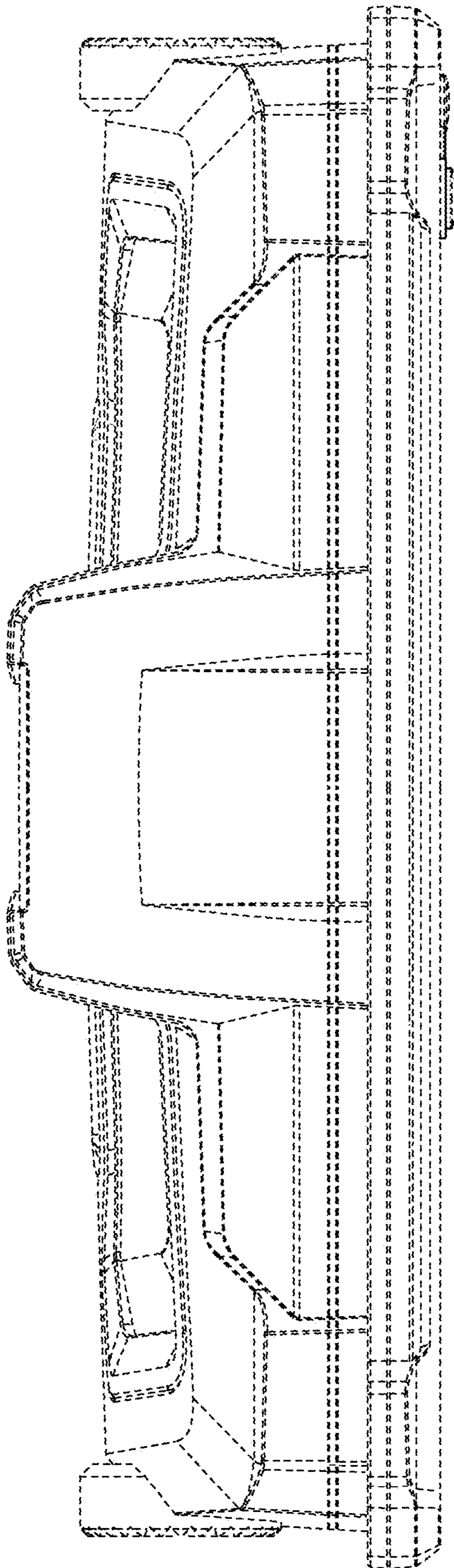


FIG. 7

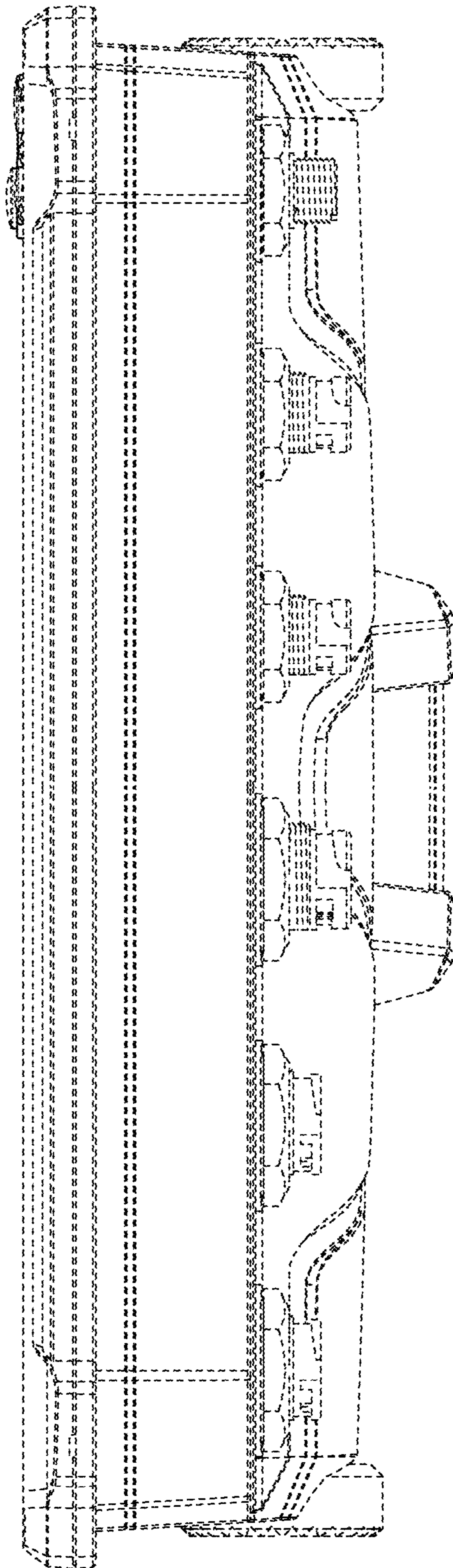


FIG. 8