



US00D922219S

(12) **United States Design Patent**
Kosanovsky

(10) **Patent No.:** **US D922,219 S**
(45) **Date of Patent:** **** Jun. 15, 2021**

(54) **SHOT TIMER**

(71) Applicant: **Igor Kosanovsky**, Zaporizhzhia (UA)

(72) Inventor: **Igor Kosanovsky**, Zaporizhzhia (UA)

(**) Term: **15 Years**

(21) Appl. No.: **29/720,788**

(22) Filed: **Jan. 16, 2020**

(51) **LOC (13) Cl.** **10-03**

(52) **U.S. Cl.**
USPC **D10/46.1**

(58) **Field of Classification Search**
USPC D10/40-41, 46, 46.1, 50, 52, 65, 70, 96,
D10/97, 99, 103; D14/218, 336, 339,
D14/341, 346, 388; D21/324, 328, 329,
D21/331, 332; D22/108, 199
CPC G04G 13/00; G04G 13/02; G04G 13/021;
G04G 13/025; G04G 17/005; G04G
17/00; G04G 17/08; G04G 17/086; G04G
21/08; G04C 17/00; G04C 17/0058;
G04F 1/00; G04F 1/005; G04F 3/00;
G04F 3/02; G04F 3/06; G04F 7/00; G04F
7/06; G04F 7/062; G04F 7/065; G04F
7/067; G04F 8/00; G04F 8/006; G07C
1/22; G07C 1/28

See application file for complete search history.

(56) **References Cited**

U.S. PATENT DOCUMENTS

| | | | | | |
|------------|---|---------|--------|-------|----------|
| D310,175 S | * | 8/1990 | Nugent | | D10/46.1 |
| D323,297 S | * | 1/1992 | Zeller | | D10/15 |
| D352,472 S | * | 11/1994 | Chen | | D10/30 |
| D419,891 S | * | 2/2000 | Chan | | D10/15 |
| D427,991 S | * | 7/2000 | Ho | | D10/2 |
| D442,496 S | * | 5/2001 | Haupt | | D10/15 |
| D449,544 S | * | 10/2001 | Liu | | D10/46.1 |
| D467,510 S | * | 12/2002 | Hung | | D10/46.1 |
| D469,025 S | * | 1/2003 | Chen | | D10/46 |
| D483,680 S | * | 12/2003 | Chen | | D10/46 |

| | | | | | |
|-----------------|---|---------|-------------|-------|---------------------|
| D509,450 S | * | 9/2005 | Bhavnani | | D10/30 |
| D547,214 S | * | 7/2007 | Daigle | | D10/46.1 |
| D628,107 S | * | 11/2010 | Lee | | D10/103 |
| D644,128 S | * | 8/2011 | Aglassinger | | D10/10 |
| D659,765 S | * | 5/2012 | Taniguchi | | D21/333 |
| D693,708 S | * | 11/2013 | Brigham | | D10/70 |
| D700,000 S | * | 2/2014 | Avery | | D14/341 |
| D710,227 S | * | 8/2014 | Igelmund | | D10/103 |
| D714,167 S | * | 9/2014 | Hyllbrant | | D10/46 |
| D746,164 S | * | 12/2015 | Matsumiya | | D10/74 |
| D785,474 S | * | 5/2017 | Wingate | | D10/70 |
| D794,610 S | * | 8/2017 | Shin | | D14/218 |
| D795,444 S | * | 8/2017 | Chen | | D24/215 |
| D805,484 S | * | 12/2017 | Bristol | | D13/168 |
| D818,855 S | * | 5/2018 | Tooze | | D10/70 |
| D839,756 S | * | 2/2019 | Pang | | D10/52 |
| D853,257 S | * | 7/2019 | Morsch | | D10/70 |
| 2001/0034256 A1 | * | 10/2001 | Green | | G04F 1/005 463/1 |

* cited by examiner

Primary Examiner — Katherine Glennon

(74) *Attorney, Agent, or Firm* — Inventa Capital PLC

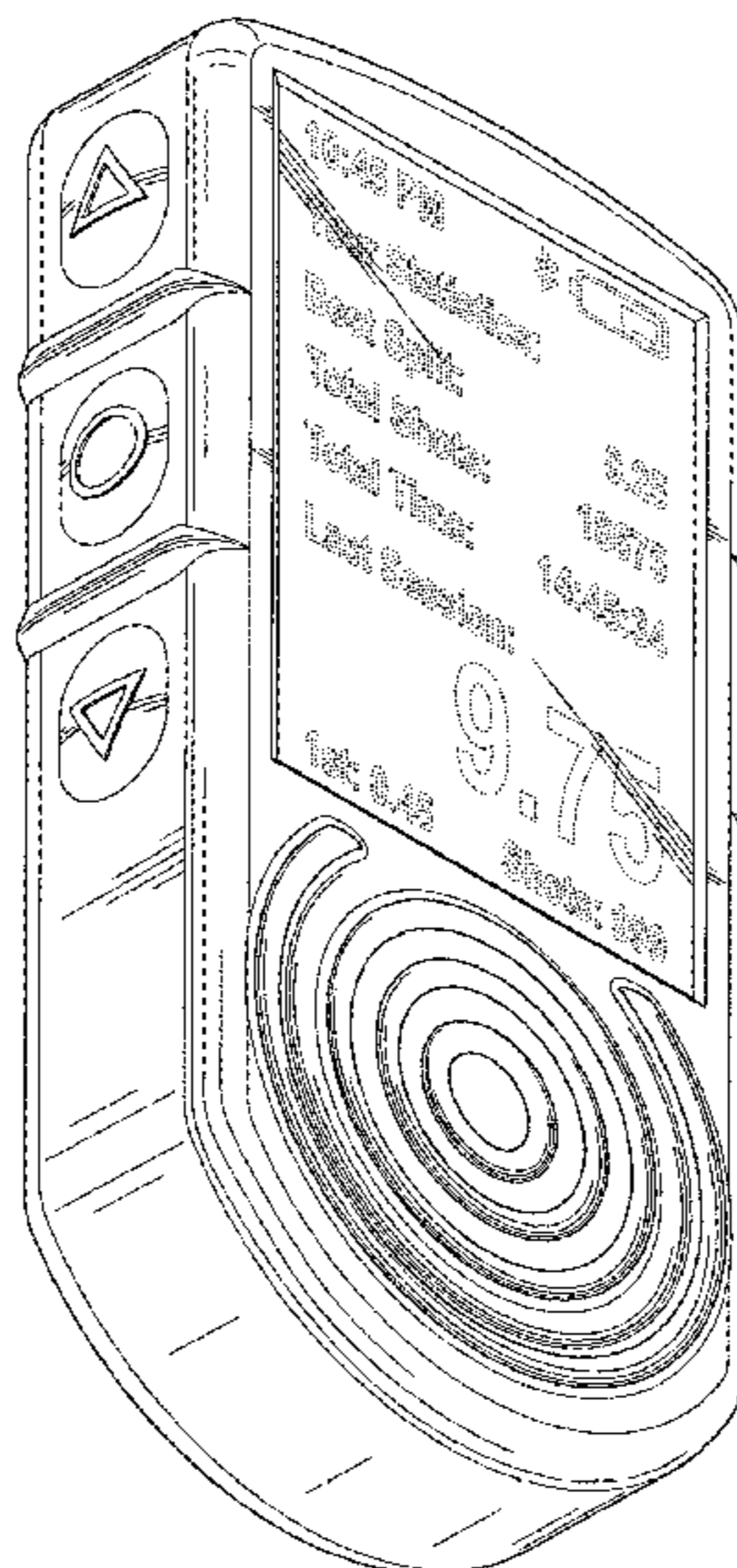
(57) **CLAIM**

I claim the ornamental design for a shot timer, as shown and described.

DESCRIPTION

FIG. 1 is a perspective front view of a shot timer of the present invention;
FIG. 2 is a perspective view of the shot timer taken from a back;
FIG. 3 is a front view of the shot timer;
FIG. 4 is a back view of the shot timer;
FIG. 5 is a right side view of the shot timer;
FIG. 6 is a left side view of the shot timer;
FIG. 7 is a top view of the shot timer; and,
FIG. 8 is a bottom view of the shot timer.
The portions of the shot timer shown in broken lines form no part of the claimed design.

1 Claim, 6 Drawing Sheets



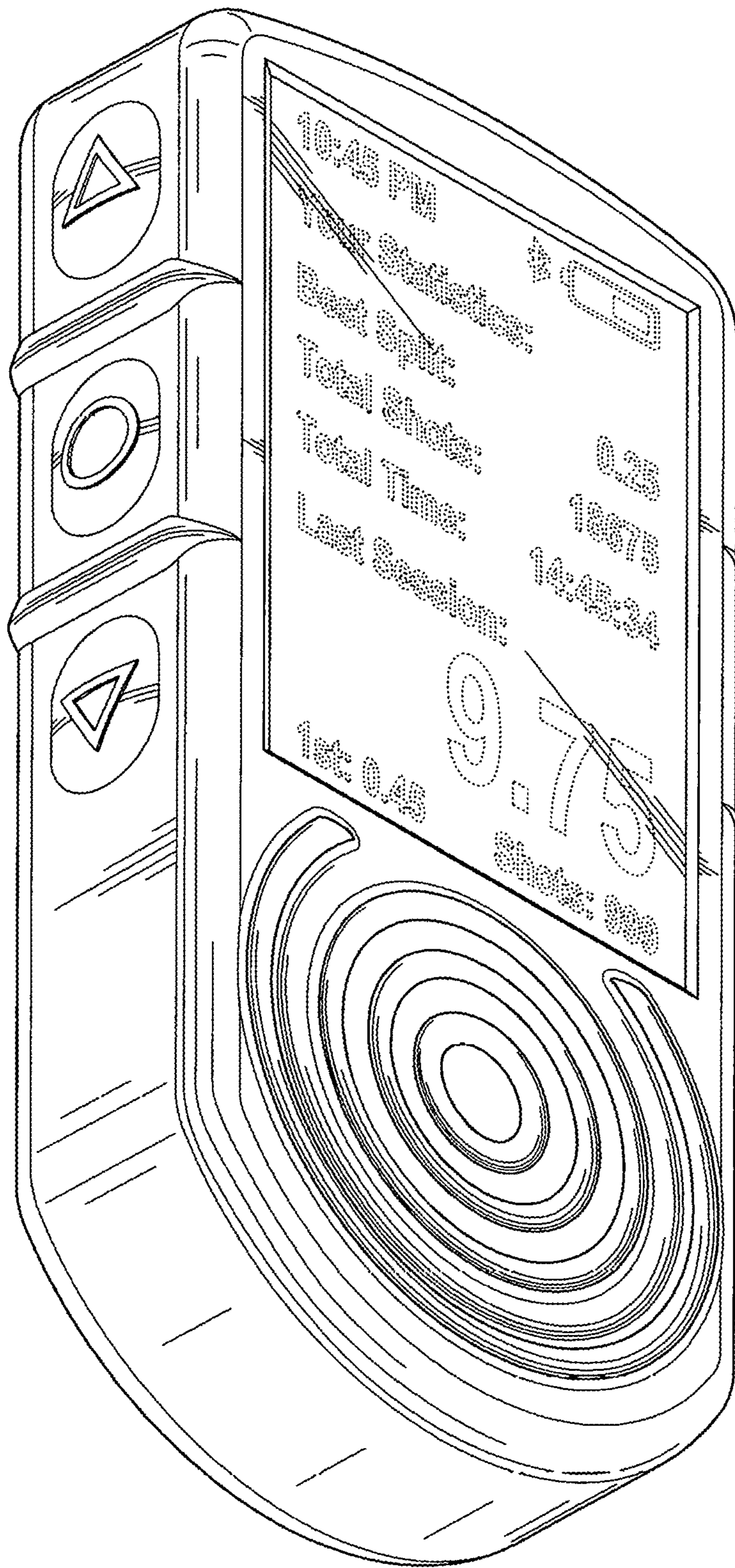


FIG. 1

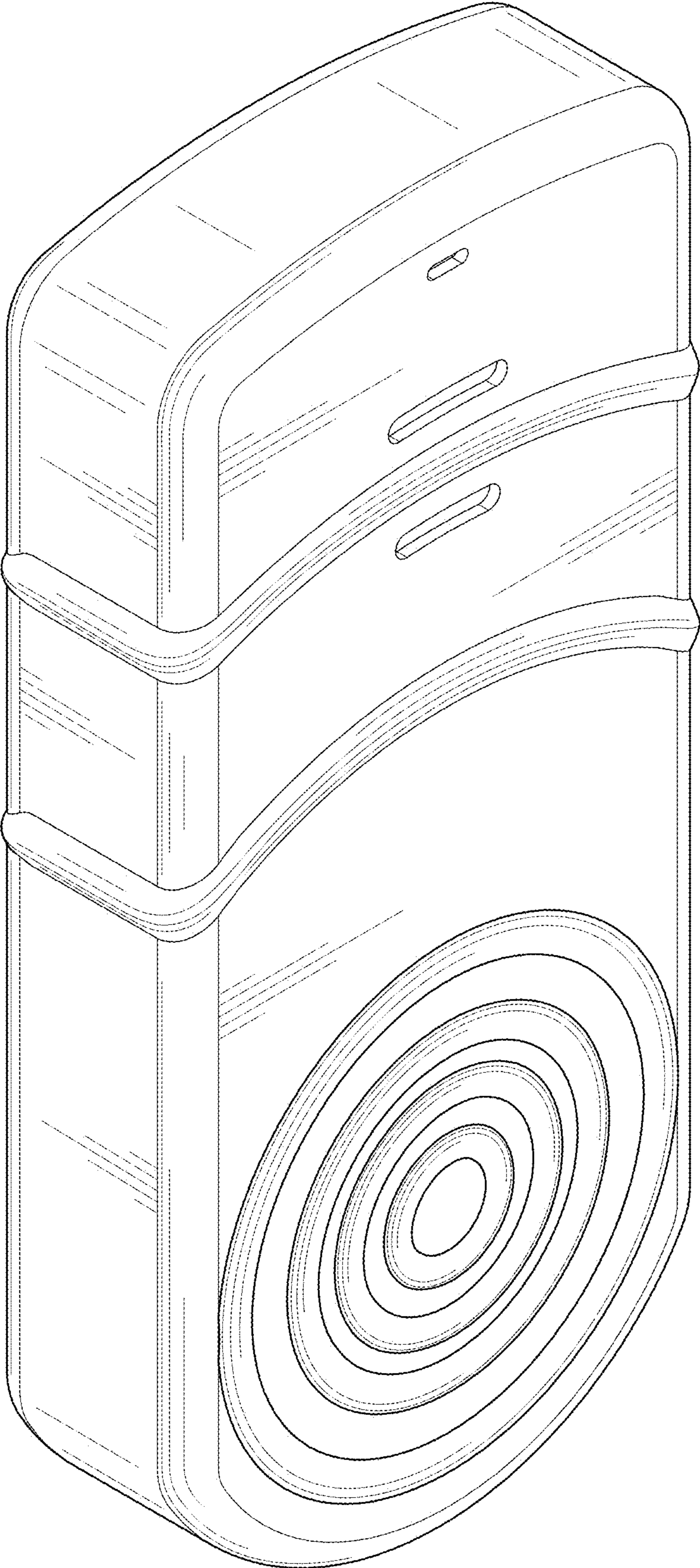


FIG. 2

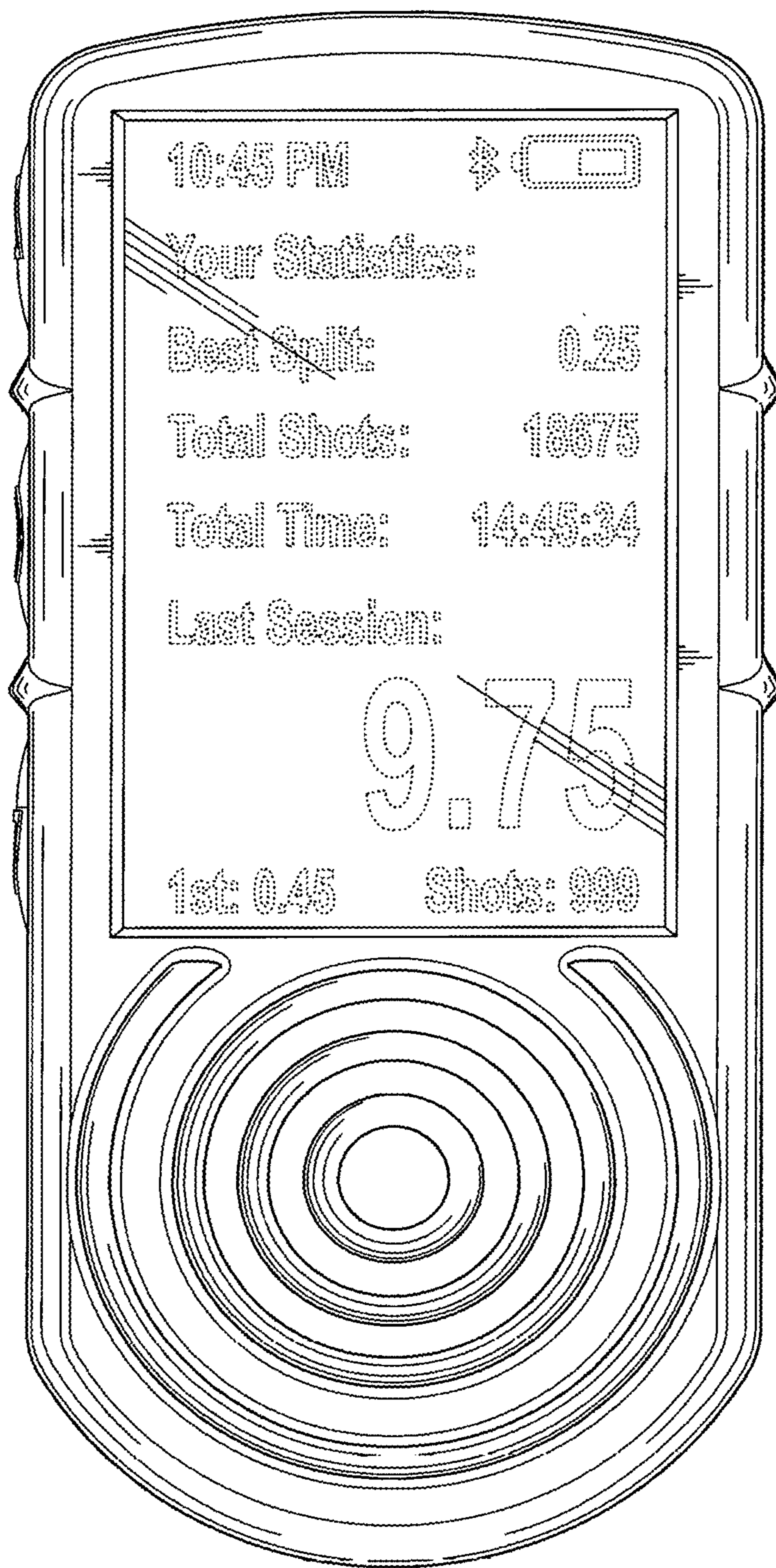


FIG. 3

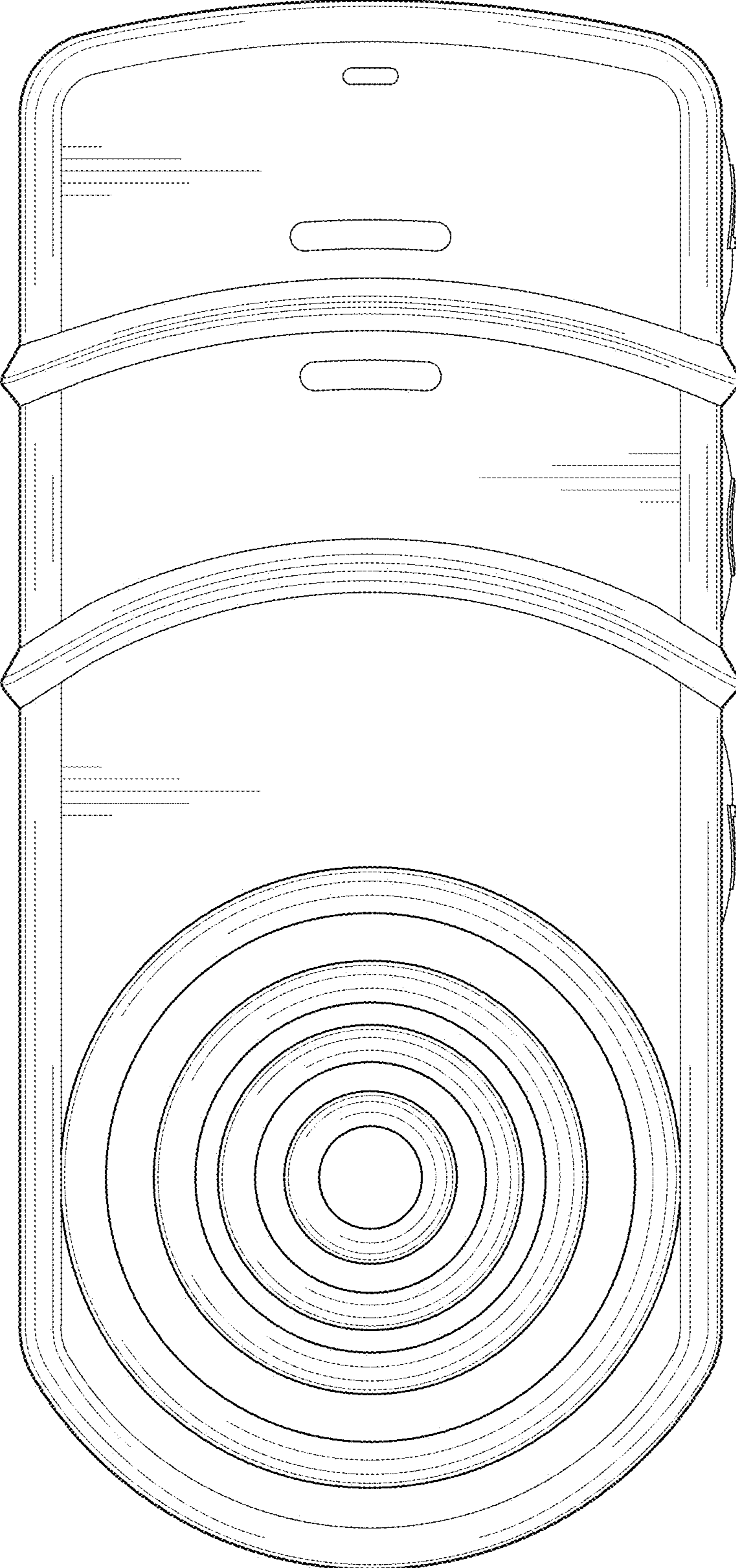


FIG. 4

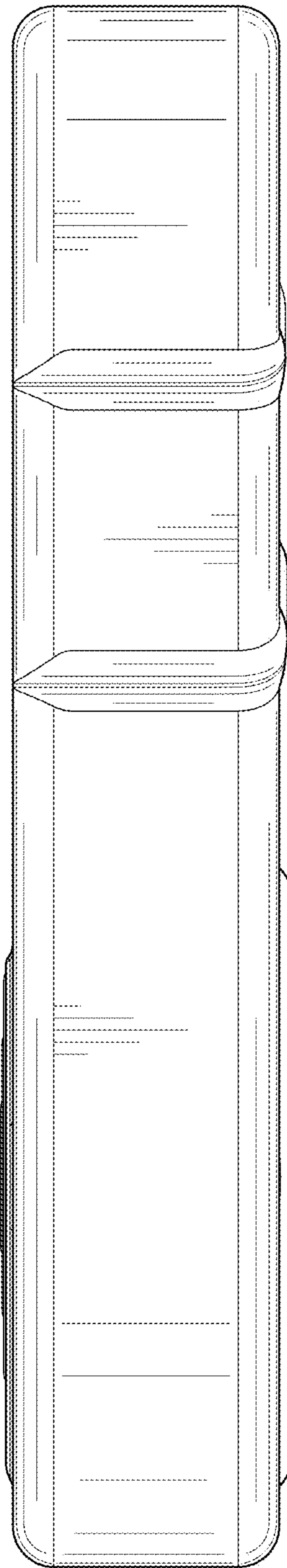


FIG. 5

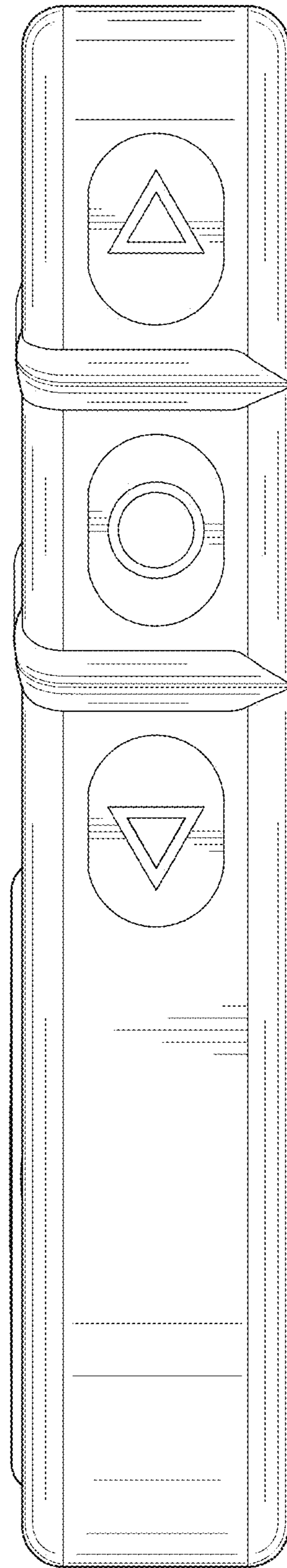


FIG. 6

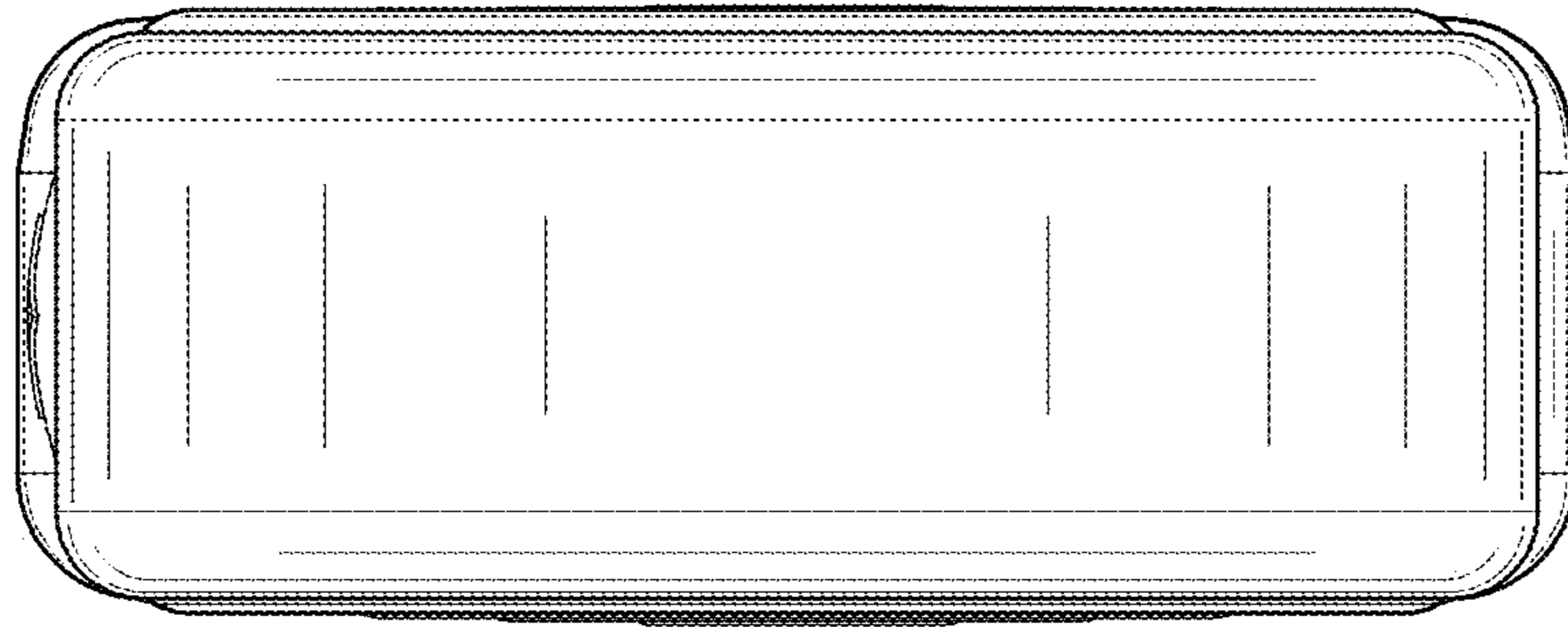


FIG. 7

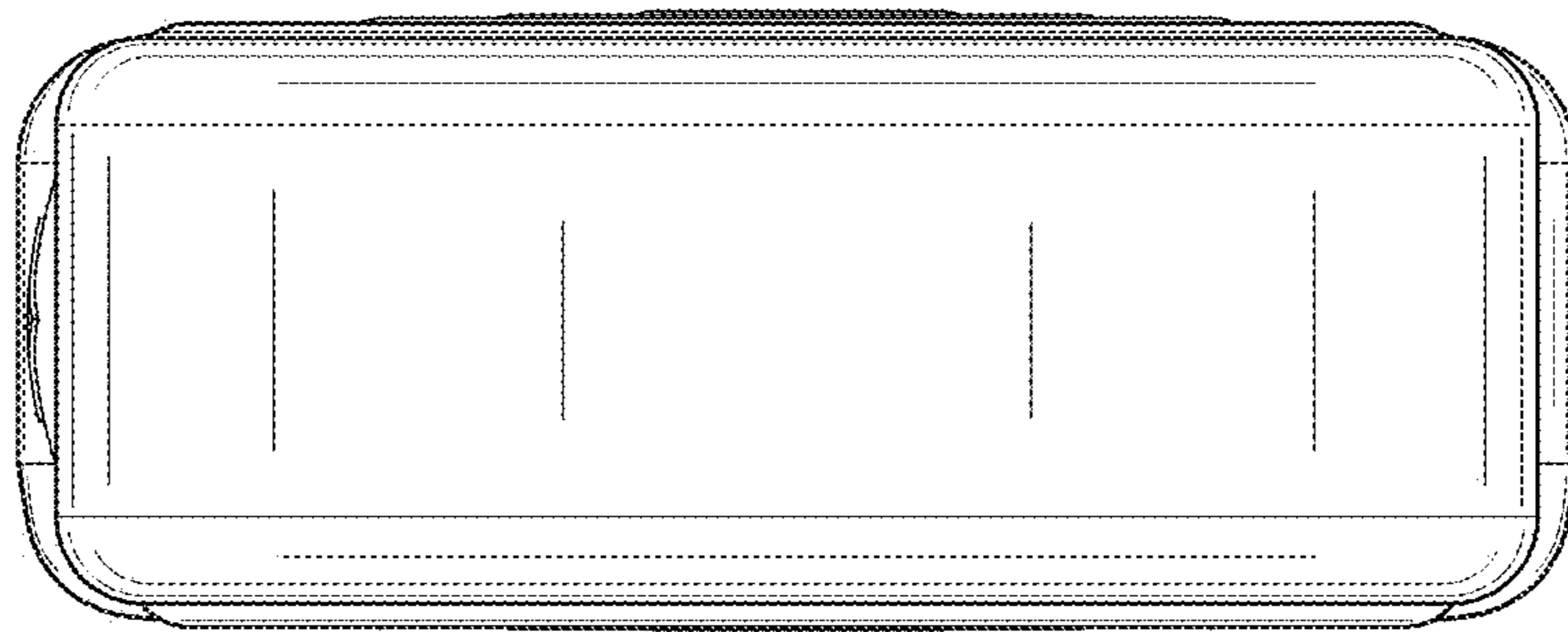


FIG. 8