



US00D922218S

(12) **United States Design Patent**  
**Katris et al.**

(10) **Patent No.:** **US D922,218 S**  
(45) **Date of Patent:** **\*\* Jun. 15, 2021**

(54) **MILK TIMER**  
(71) Applicant: **Tick Tock, LLC**, Elmhurst, IL (US)  
(72) Inventors: **Georgia Katris**, Elmhurst, IL (US);  
**Darren Madigan**, Elmhurst, IL (US)  
(73) Assignee: **Tick Tock, LLC**, Elmhurst, IL (US)  
(\*\*) Term: **15 Years**

4,571,199 A \* 2/1986 Murakami ..... G04B 37/0008  
446/135  
4,862,436 A \* 8/1989 Harilela ..... A44C 5/00  
368/282  
D335,457 S \* 5/1993 Mizuno ..... D10/6  
5,283,969 A \* 2/1994 Weiss ..... G09F 3/005  
40/633  
D346,600 S \* 5/1994 Grasso ..... D10/34  
D381,046 S \* 7/1997 Hiers ..... D11/5  
D404,317 S \* 1/1999 Cameron ..... D10/30  
(Continued)

(21) Appl. No.: **29/699,112**

**OTHER PUBLICATIONS**

(22) Filed: **Jul. 23, 2019**

Yellow Cow Moo Cattle USB Flash Thumb Drive | amazon.com;  
date first available May 2017 [online], © 1996-2020, Amazon.com,  
Inc [retrieved Oct. 24, 2020] from Internet: <<https://www.amazon.com/Yellow-Cattle-Flash-Storage-Device/dp/B07J3TV9QN>> (Year:  
2017).\*

(51) **LOC (13) Cl.** ..... **10-03**

(52) **U.S. Cl.**  
USPC ..... **D10/41**

(58) **Field of Classification Search**  
USPC ..... D10/1-2, 5, 7, 14-15, 40-41, 46.1;  
D11/3-6, 11, 49, 78.1, 82, 86, 94,  
D11/200-201, 204-205, 212-213, 218;  
D9/738, 436, 718; D21/324, 328, 331,  
D21/332, 781  
CPC .... A44C 5/00; A44C 5/02; A44C 5/08; A44C  
5/12; A44C 5/0061; A44C 5/0076; A44C  
5/022; A44C 5/025; A44C 5/027; A44C  
5/102; A44C 5/105; G04F 1/00; G04F  
1/005; G04F 3/00; G04F 3/02; G04F  
3/06; G04F 7/00; G04F 7/06; G04F  
7/065; G09F 3/005; G04G 17/00; G04G  
17/08; G04G 17/086; G04G 13/02; G04G  
13/028; G07C 1/28  
See application file for complete search history.

(Continued)

*Primary Examiner* — Sandra Snapp  
*Assistant Examiner* — Katherine Glennon  
(74) *Attorney, Agent, or Firm* — K&L Gates LLP

(56) **References Cited**

**U.S. PATENT DOCUMENTS**

D159,706 S \* 8/1950 Wilcox ..... D11/78.1  
D179,740 S \* 2/1957 Nagel ..... D11/205  
D261,532 S \* 10/1981 Tabata ..... D10/34  
4,328,978 A \* 5/1982 McLaughlin ..... G09F 3/005  
283/75  
D281,334 S \* 11/1985 Adams ..... D19/64

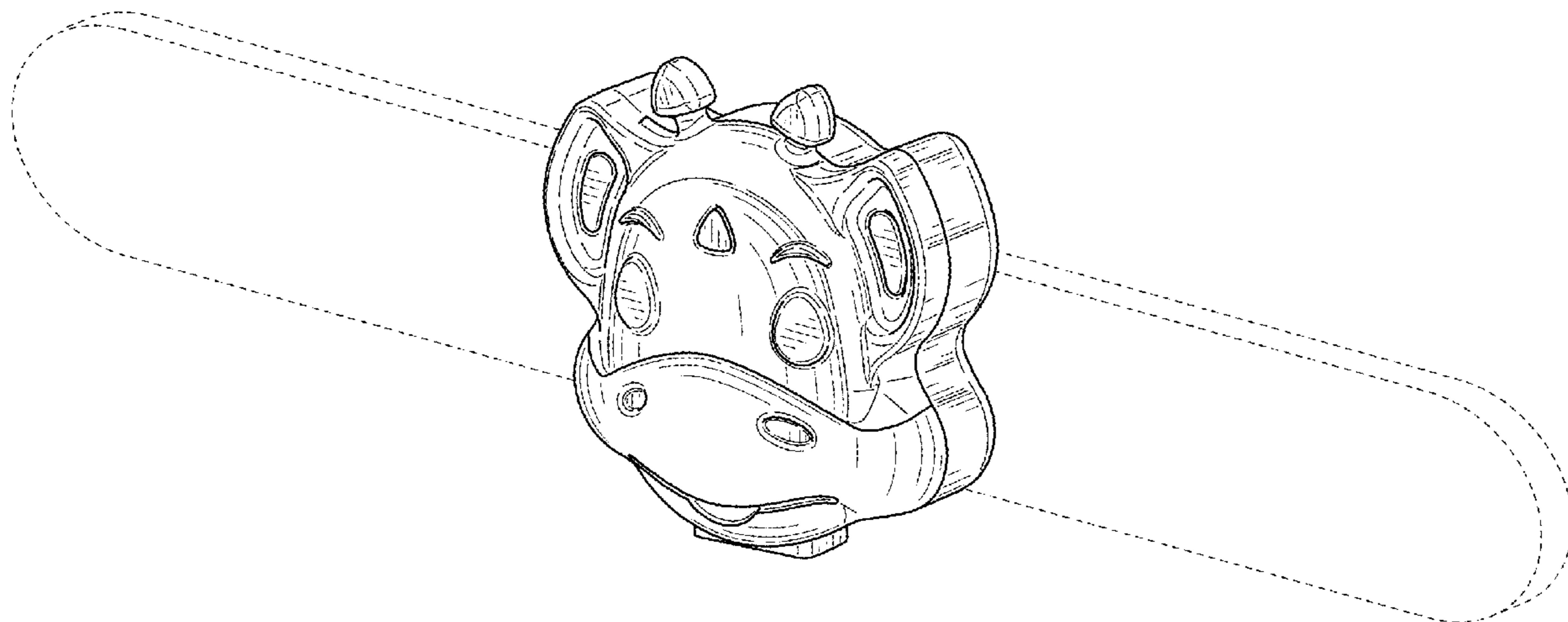
(57) **CLAIM**

The ornamental design for a milk timer, as shown and described.

**DESCRIPTION**

FIG. 1 is a perspective view of a milk timer showing our new design;  
FIG. 2 is a front elevational view thereof;  
FIG. 3 is a back elevational view thereof;  
FIG. 4 is a right side view thereof;  
FIG. 5 is a left side view thereof;  
FIG. 6 is a top plan view thereof; and,  
FIG. 7 is a bottom plan view thereof.  
The broken lines show portions of the article that form no part of the claimed design.

**1 Claim, 6 Drawing Sheets**



(56)

**References Cited**

U.S. PATENT DOCUMENTS

D525,538 S \* 7/2006 Oas ..... D10/32  
D731,355 S \* 6/2015 Smith ..... D11/201  
D752,479 S \* 3/2016 Taylor ..... D11/201  
D808,284 S \* 1/2018 Seagrim ..... D10/40  
D821,248 S \* 6/2018 Naqvi ..... D11/3  
2006/0120218 A1\* 6/2006 Lansing ..... A61J 7/0409  
368/10  
2012/0113760 A1\* 5/2012 Pagrani ..... G04B 37/1493  
368/10  
2015/0078142 A1\* 3/2015 Loomis ..... G04F 1/005  
368/107  
2015/0153239 A1\* 6/2015 Pantchenko ..... G01K 3/04  
374/142

OTHER PUBLICATIONS

Wacky Watches Slapwatch Silicone Watch Band Cow | posted at toys-shop.gr [online], [retrieved Oct. 20, 2020] from Internet: <<https://www.toys-shop.gr/en/p/kids-room/clocks/watches/1021593-wacky-watches-slapwatch-fast-fit-kids-childrens-silicone-watch-band-cow-14482317.html>> (Year: 2020).\*

\* cited by examiner

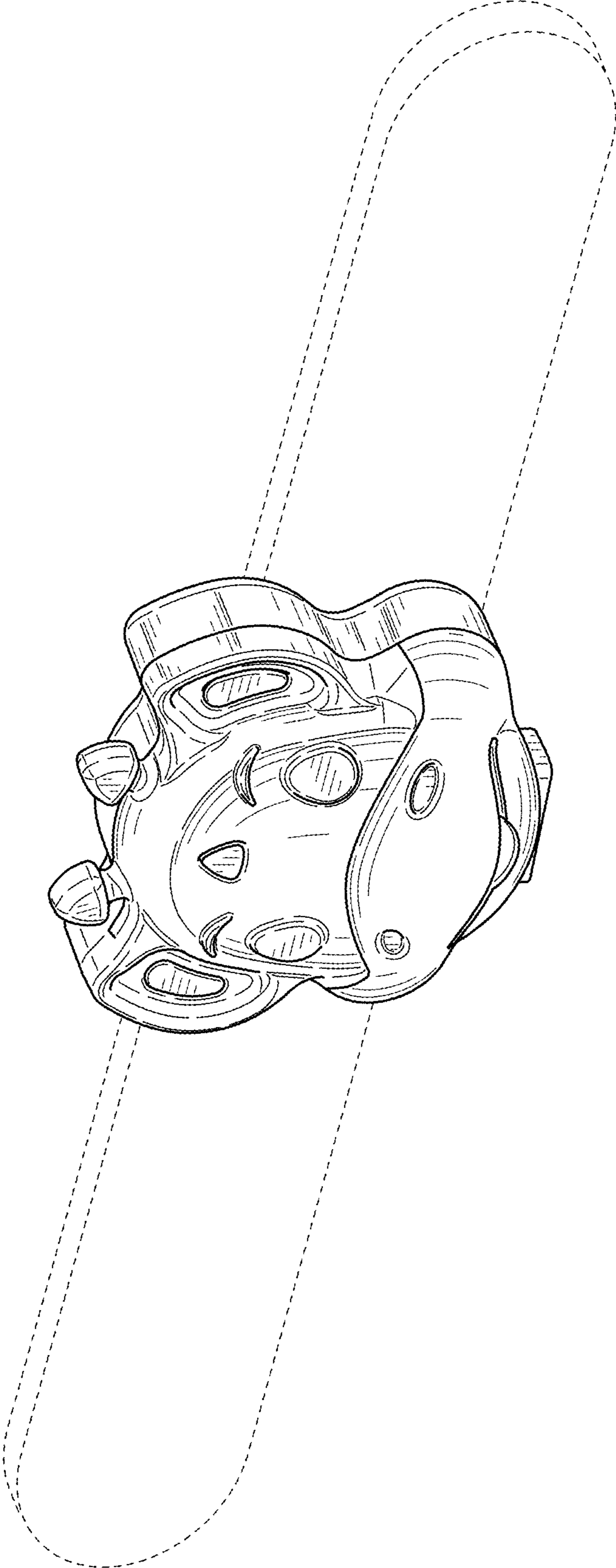


FIG. 1

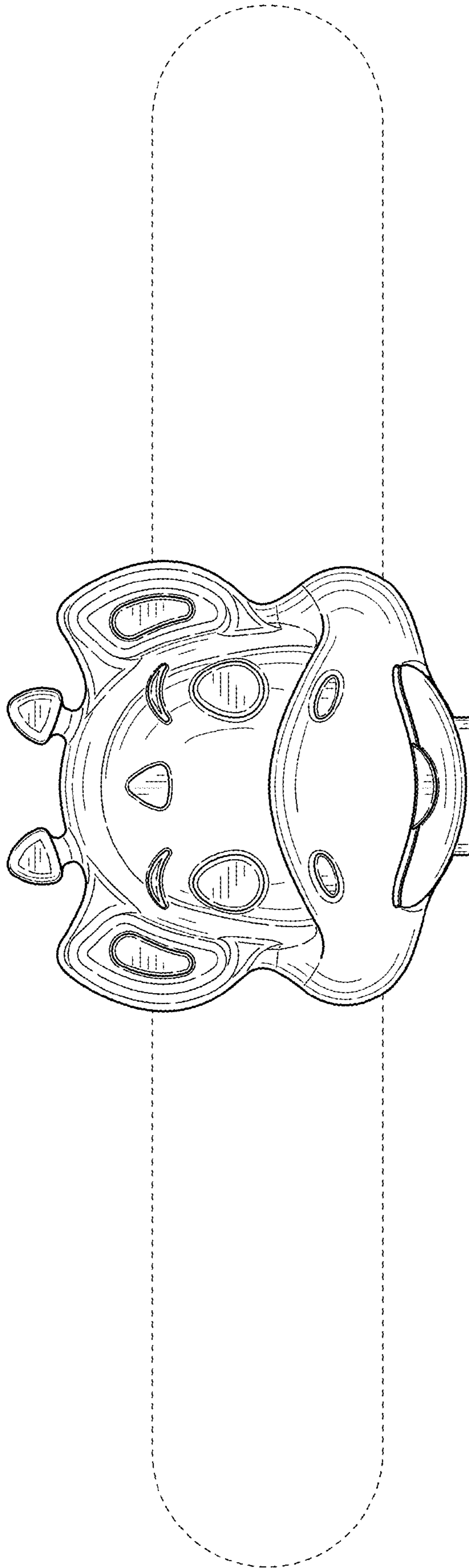


FIG. 2

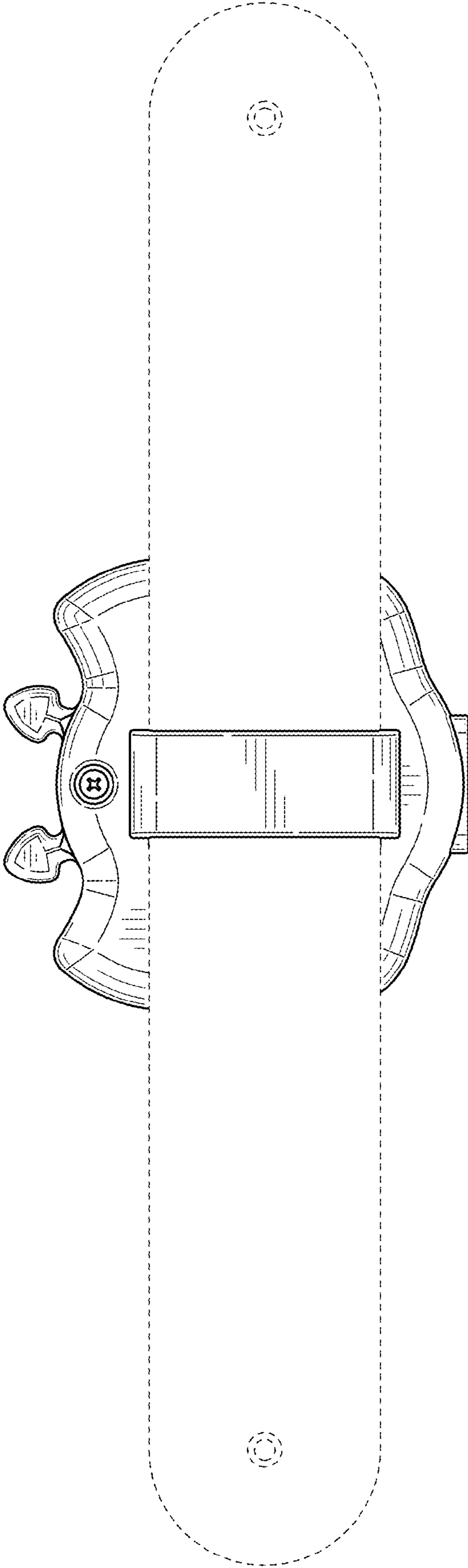


FIG. 3

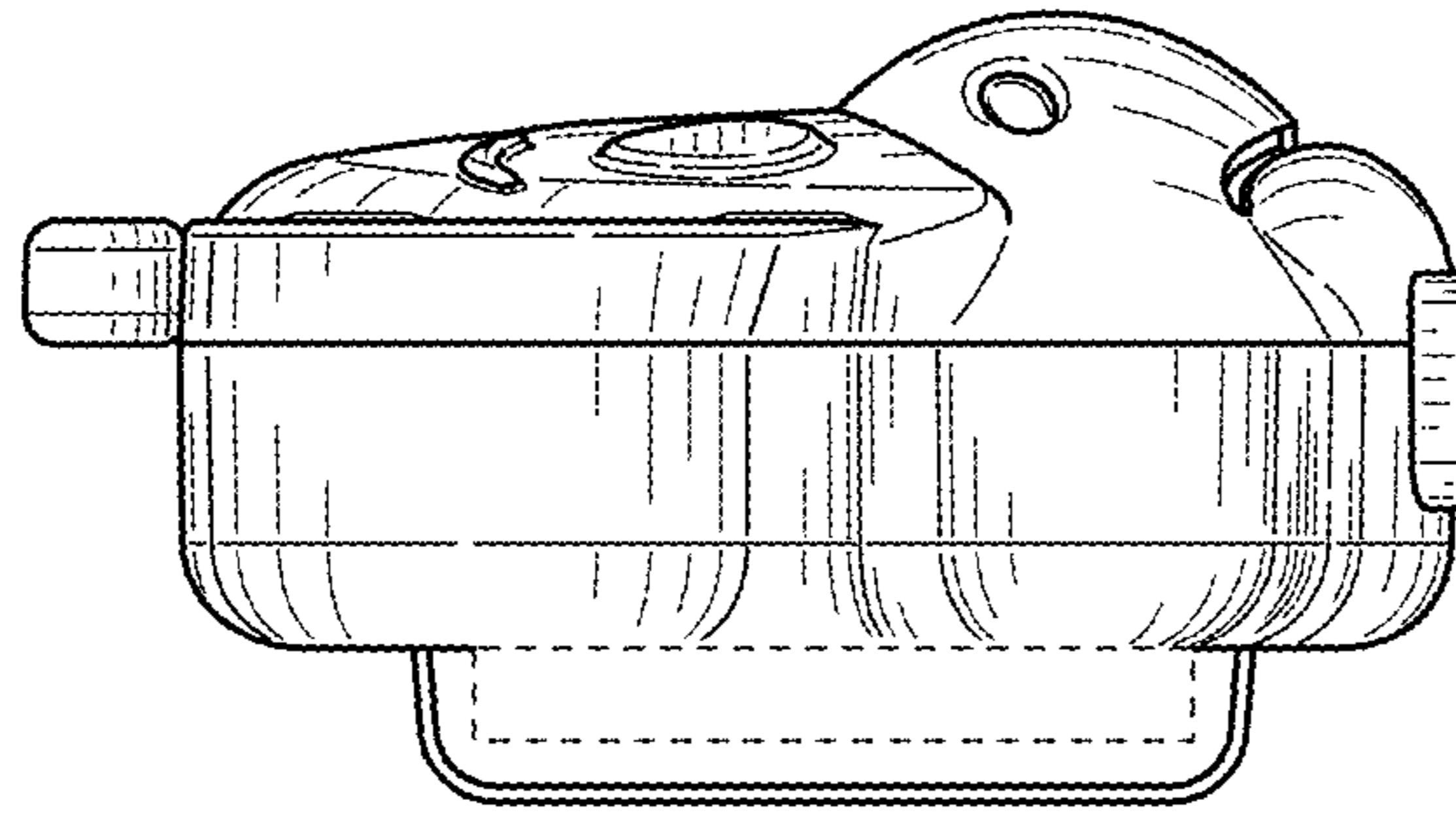


FIG. 5

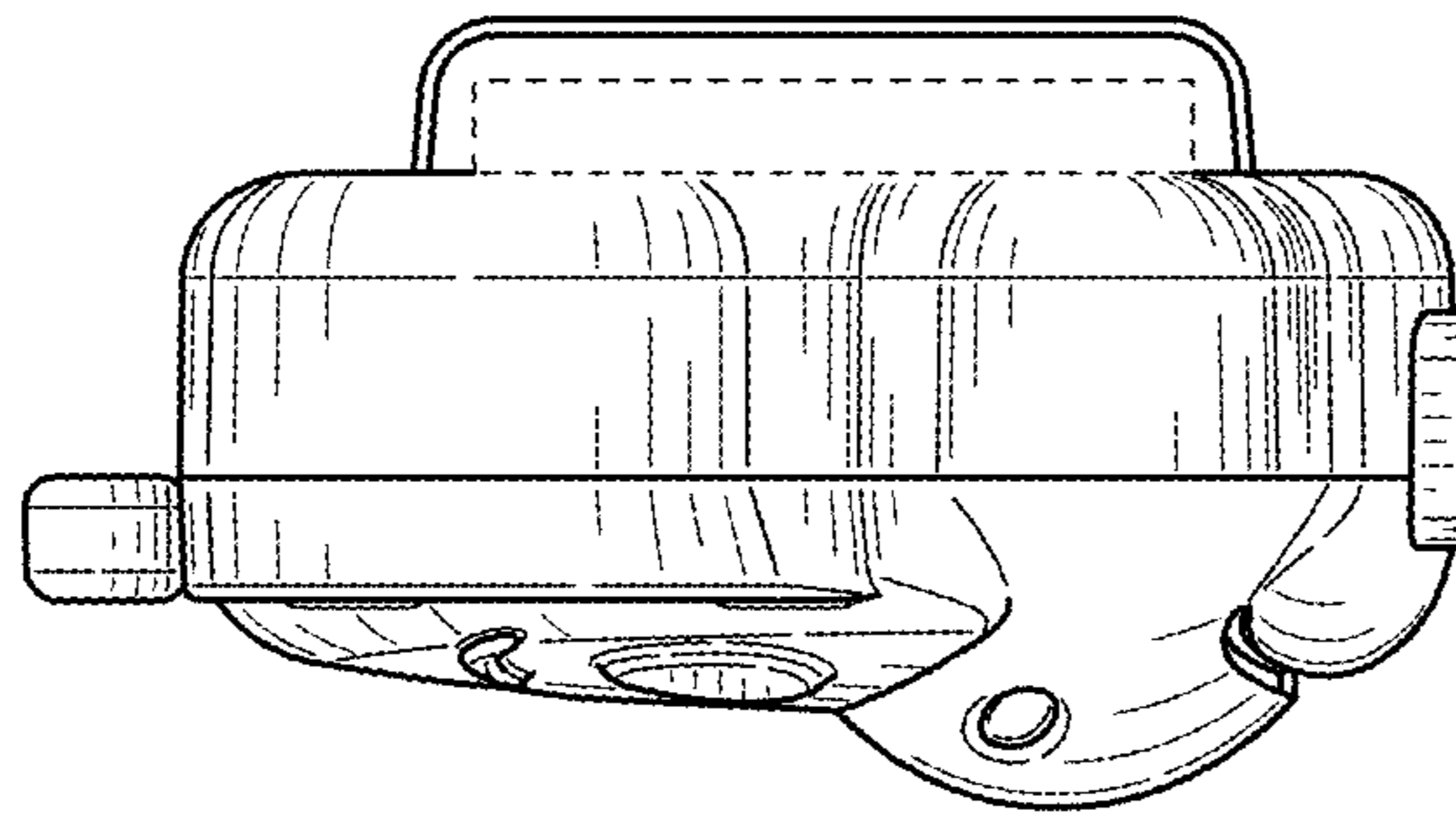


FIG. 4

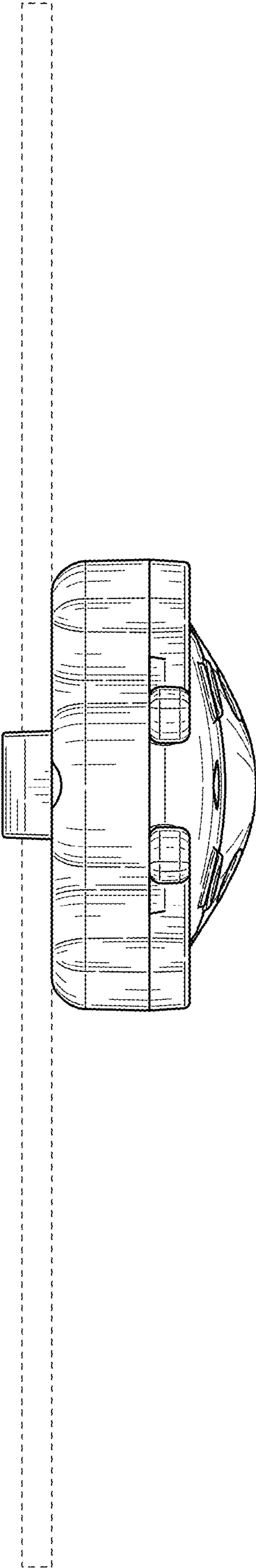


FIG. 6

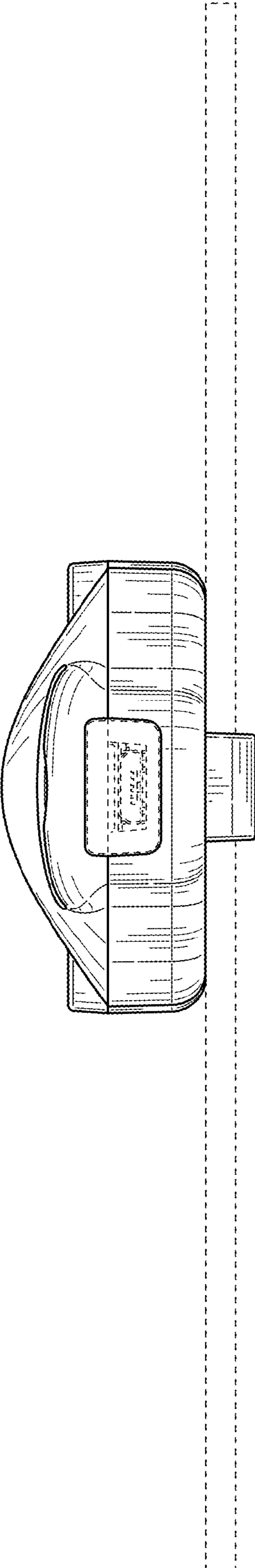


FIG. 7