



US00D922216S

(12) **United States Design Patent** (10) **Patent No.:** **US D922,216 S**  
**Yu** (45) **Date of Patent:** **\*\* Jun. 15, 2021**

(54) **TIMER**  
(71) Applicant: **NINGBO WELL ELECTRIC APPLIANCE CO., LTD.**, Ningbo (CN)  
(72) Inventor: **Guolin Yu**, Ningbo (CN)  
(73) Assignee: **NINGBO WELL ELECTRIC APPLIANCE CO., LTD.**, Ningbo (CN)

D381,627 S \* 7/1997 Muller ..... D13/137.2  
D386,430 S \* 11/1997 Czerlanis ..... D10/40  
5,699,320 A \* 12/1997 Wan ..... G04G 15/00  
368/10  
D435,514 S \* 12/2000 Stekelenburg ..... D10/40  
D443,859 S \* 6/2001 Hogan ..... D13/133  
D453,691 S \* 2/2002 Stekelenburg ..... D10/40  
8,446,102 B2 \* 5/2013 Leinen ..... H05B 47/29  
315/291

(\*\*) Term: **15 Years**

(21) Appl. No.: **29/702,991**

(22) Filed: **Aug. 23, 2019**

(30) **Foreign Application Priority Data**

Aug. 19, 2019 (CN) ..... 201930449316.2

(51) **LOC (13) Cl.** ..... **10-03**

(52) **U.S. Cl.**  
USPC ..... **D10/40**

(58) **Field of Classification Search**  
USPC ..... D10/40, 41, 49, 50, 52, 96, 75, 97, 103, D10/57, 80; D13/137.2, 137.1, 133, D13/137.4, 138.1, 138.2, 154, 199  
CPC ..... G04F 1/00; G04F 3/00; G04F 3/02; G04F 3/022; G04F 3/027; G04F 3/04; G04F 3/06; G04F 3/08; G04F 5/00; G04F 5/04; G04F 5/10; G04F 5/12; G04G 5/00; G04G 5/02

See application file for complete search history.

(56) **References Cited**

**U.S. PATENT DOCUMENTS**

D235,265 S \* 6/1975 Michener ..... D13/137.4  
5,258,656 A \* 11/1993 Pawlick ..... G04G 15/006  
307/141

**FOREIGN PATENT DOCUMENTS**

CN 200930100521 \* 8/2009

**OTHER PUBLICATIONS**

Amazon, BN-LINK Outdoor Timer, posted Jul. 18, 2018, [online], [visited Mar. 29, 2021]. Internet, <URL: https://www.amazon.com/Century-Resistant-Photoelectric-Countdown-Photocell/dp/B07FPWK4YM/ref> (Year: 2018).\*

(Continued)

*Primary Examiner* — Sheryl Lane  
*Assistant Examiner* — Samantha N Wood

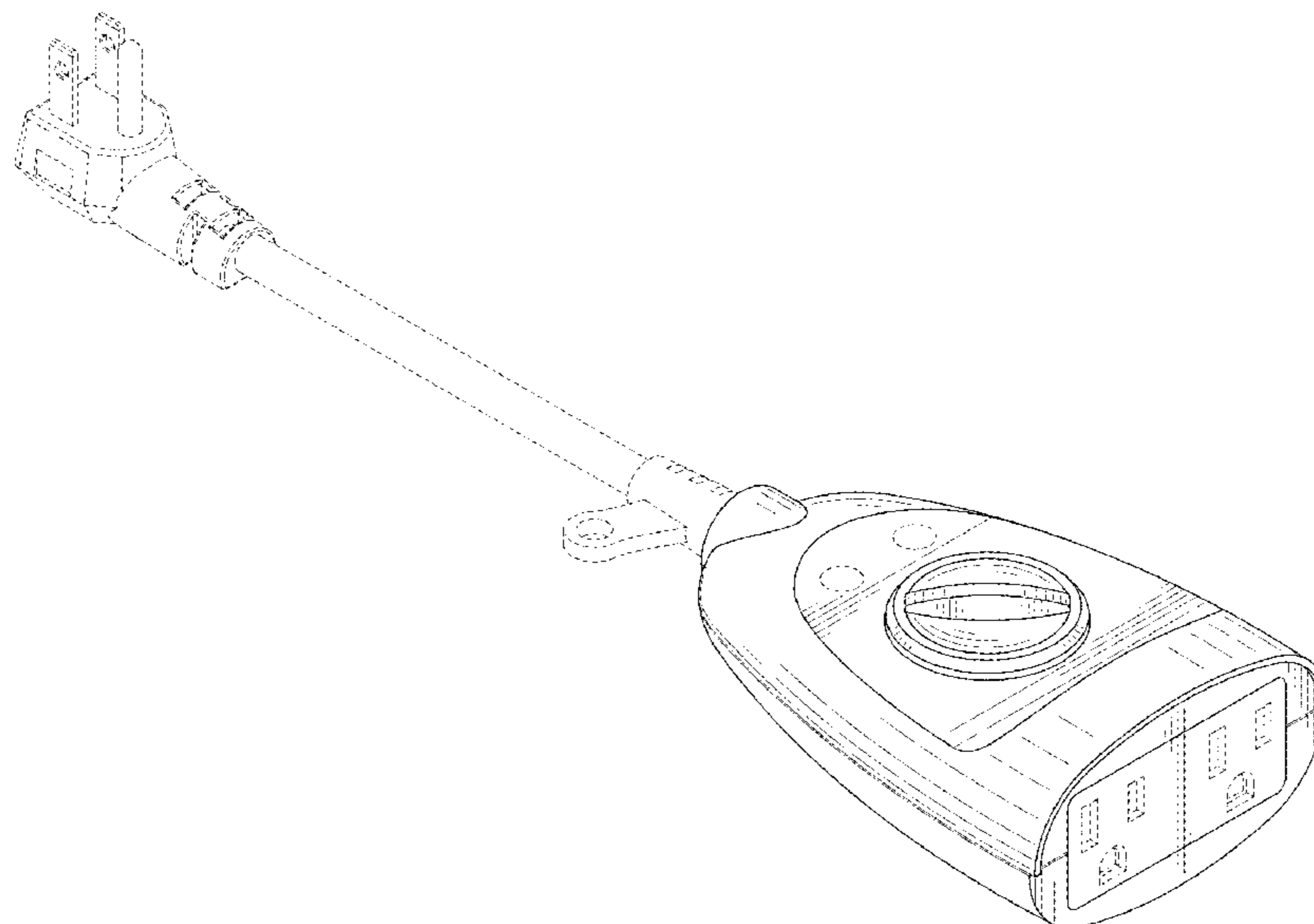
(57) **CLAIM**

The ornamental design for a timer, as shown and described.

**DESCRIPTION**

FIG. 1 is a right, front, top perspective view of a timer showing my new design;  
FIG. 2 is a left, rear, bottom perspective view thereof;  
FIG. 3 is a front elevational view thereof;  
FIG. 4 is a rear elevational view thereof;  
FIG. 5 is a left side elevational view thereof;  
FIG. 6 is a right side elevational view thereof;  
FIG. 7 is a top plan view thereof; and,  
FIG. 8 is a bottom plan view thereof.  
The broken lines in the drawings illustrate portions of the timer that form no part of the claimed design.

**1 Claim, 8 Drawing Sheets**



(56)

**References Cited**

OTHER PUBLICATIONS

Amazon, Woods Automatic photocell control timer, posted Jul. 26, 2013, [online], [visited Mar. 29, 2021]. Internet, <URL: <https://www.amazon.com/Woods-59746WD-Photoelectric-Automating-Decorations/dp/B00E5VEBK0/ref>> (Year: 2013).\*

Amazon, Merry Brite Mechanical Photocell Timer, posted Nov. 6, 2011, [online], [visited Mar. 29, 2021]. Internet, <URL: <https://www.amazon.com/Merry-Brite-370478-Mechanical-Photocell/dp/B00640V6WQ/ref>> (Year: 2011).\*

Amazon, Fosmon Photocell Timer, posted Sep. 25, 2018, [online], [visited Mar. 29, 2021]. Internet, <URL: <https://www.amazon.com/Fosmon-Electrical-Countdown-Photocell-Weatherproof/dp/B07GX3TQ93/ref>> (Year: 2018).\*

\* cited by examiner

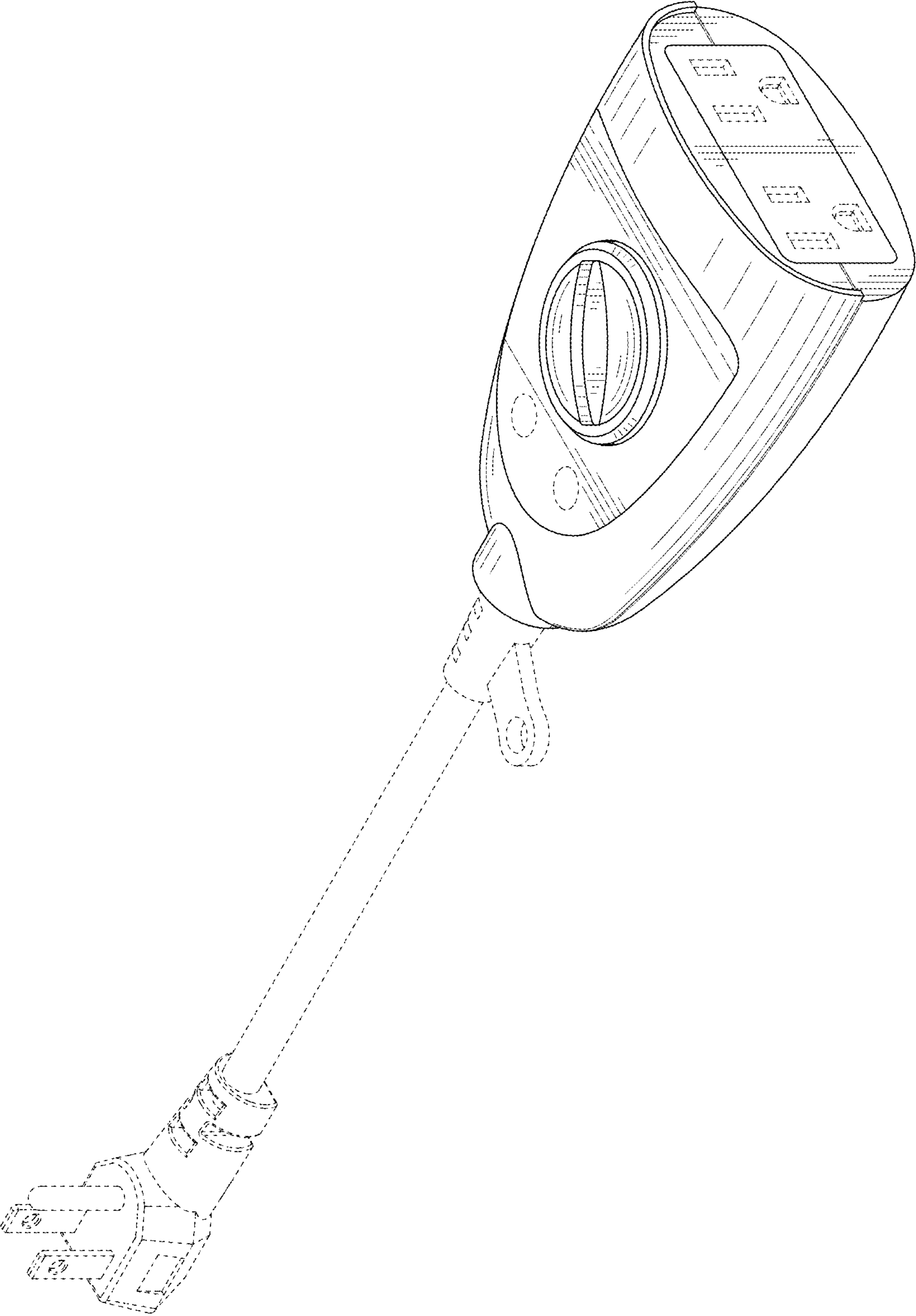


FIG. 1

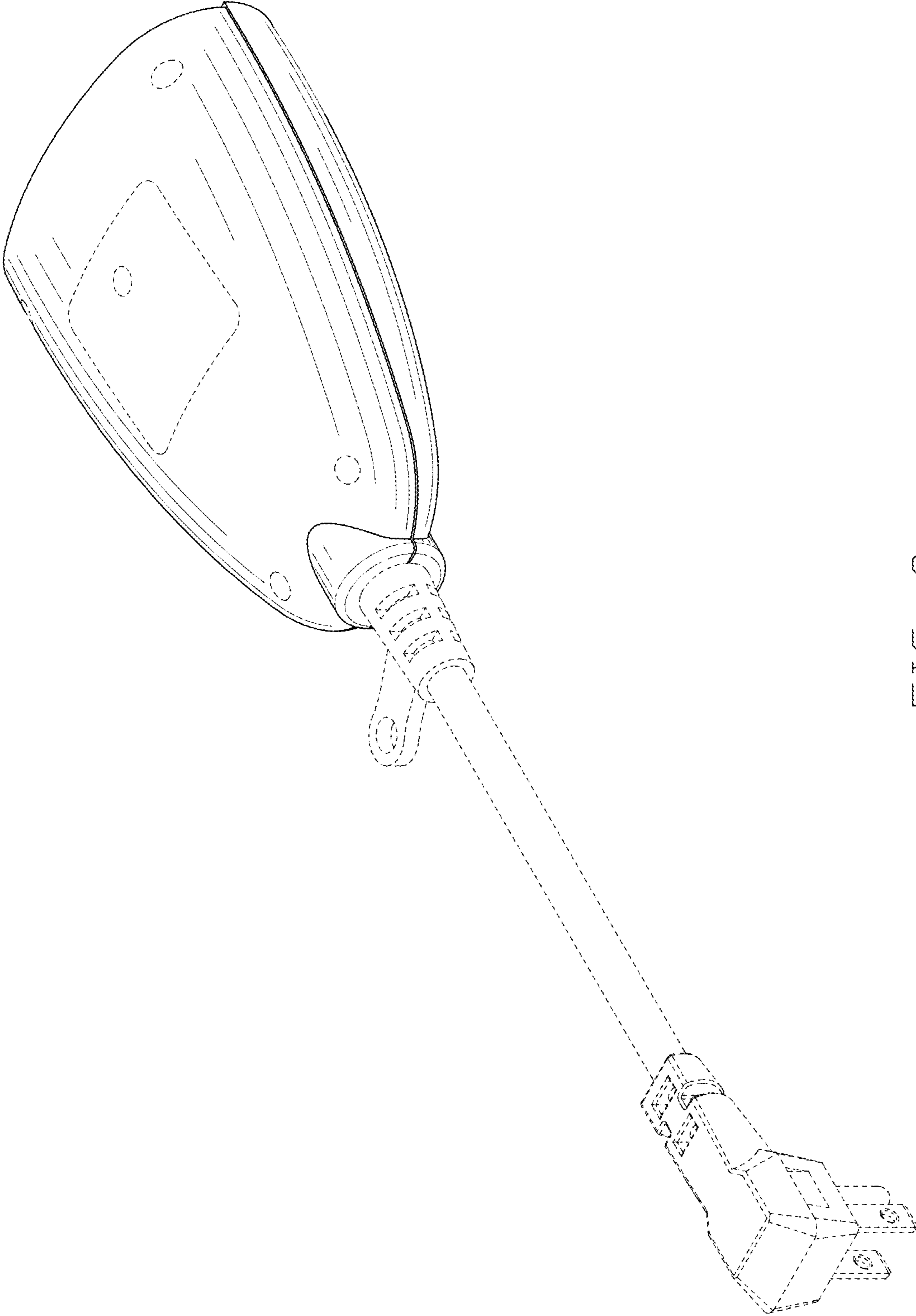


FIG. 2

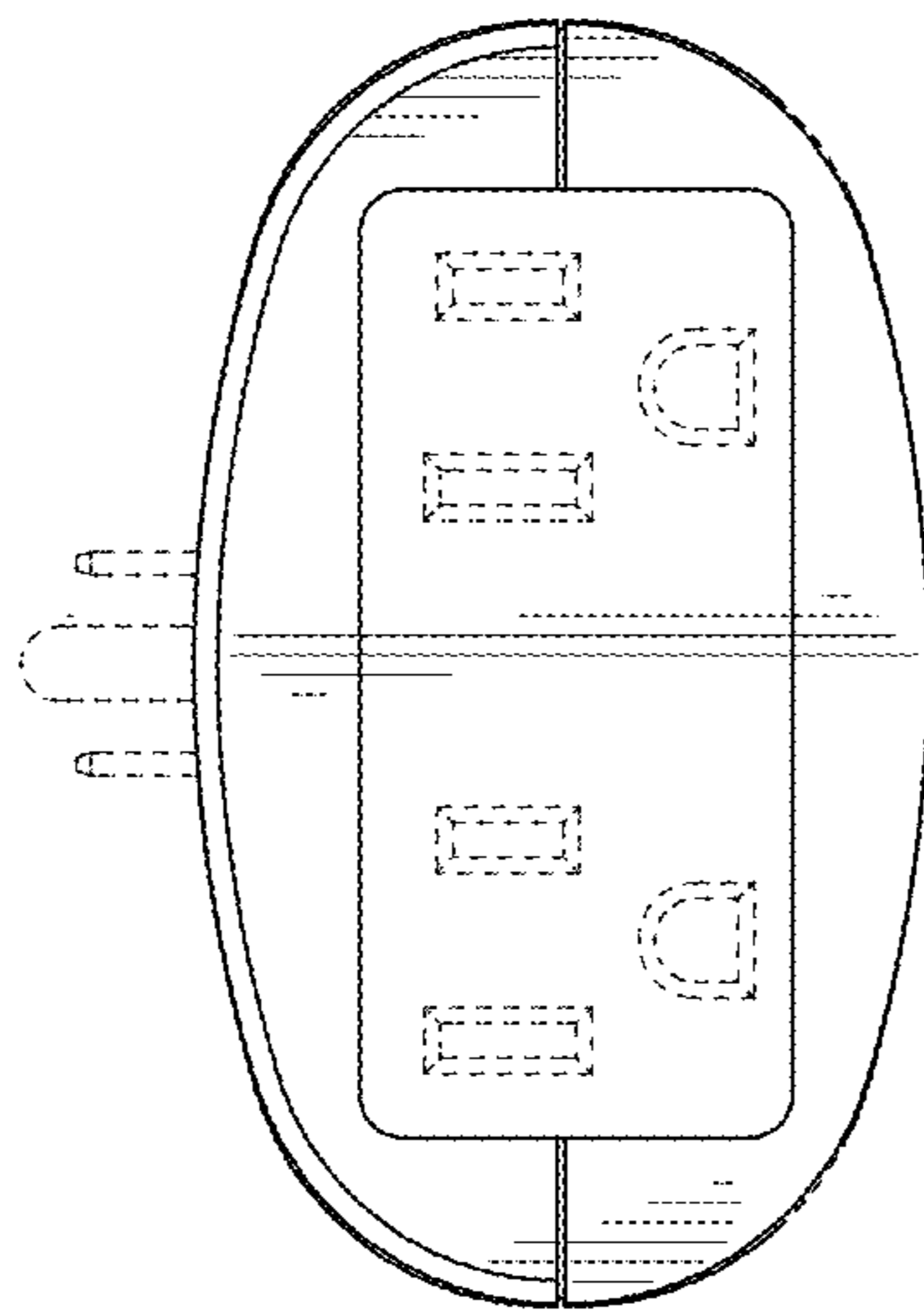


FIG. 3

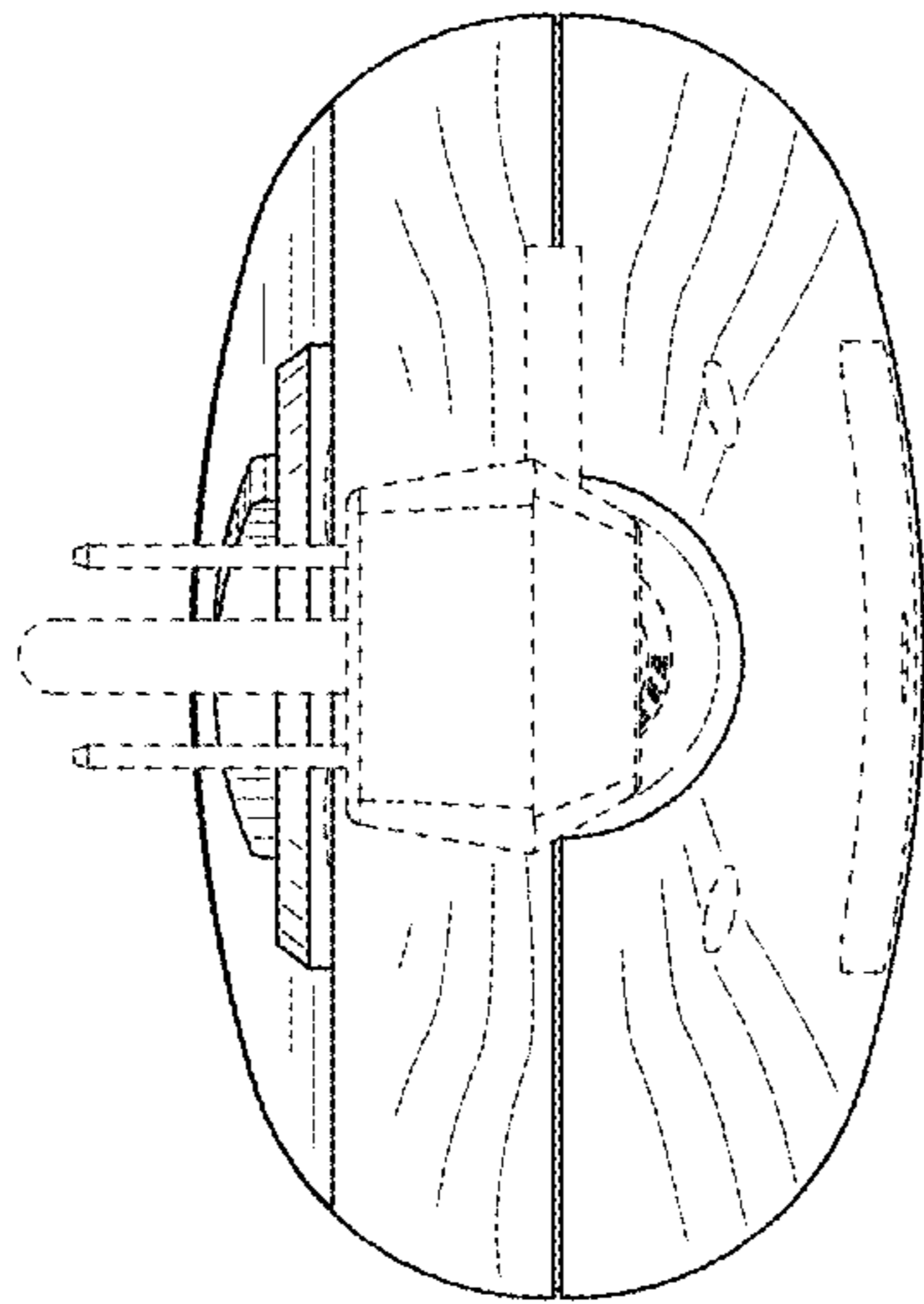


FIG. 4

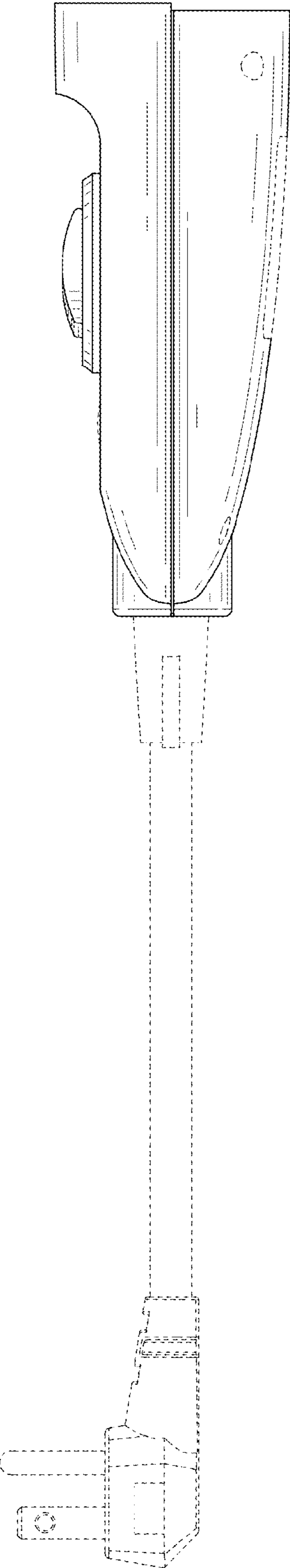


FIG. 5

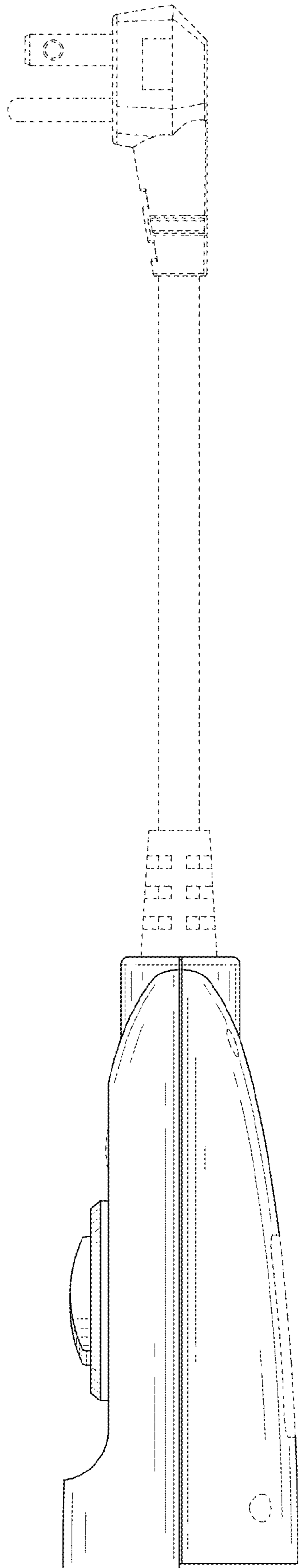


FIG. 6



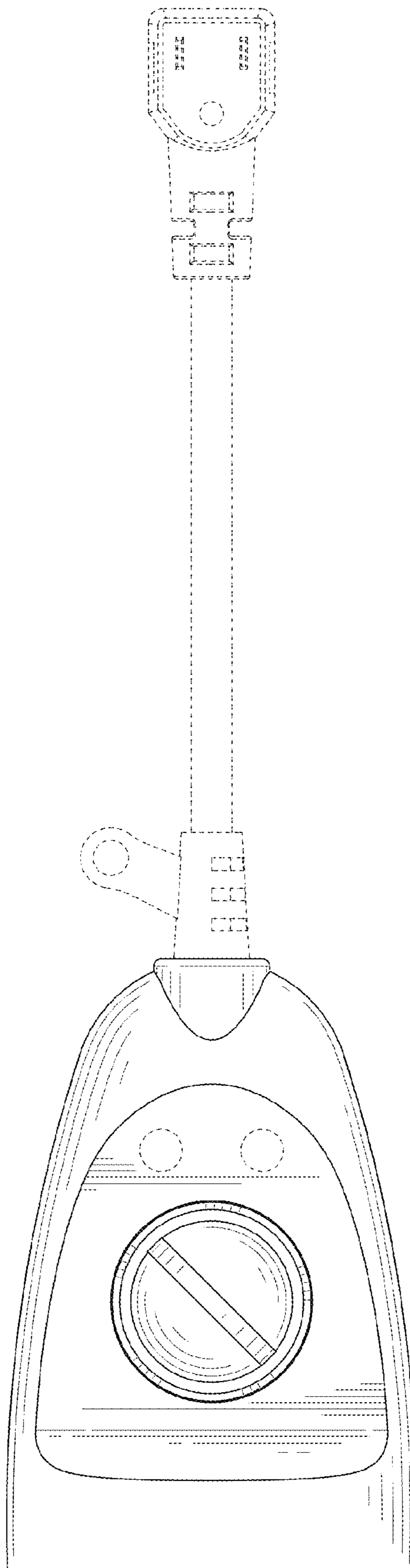


FIG. 7

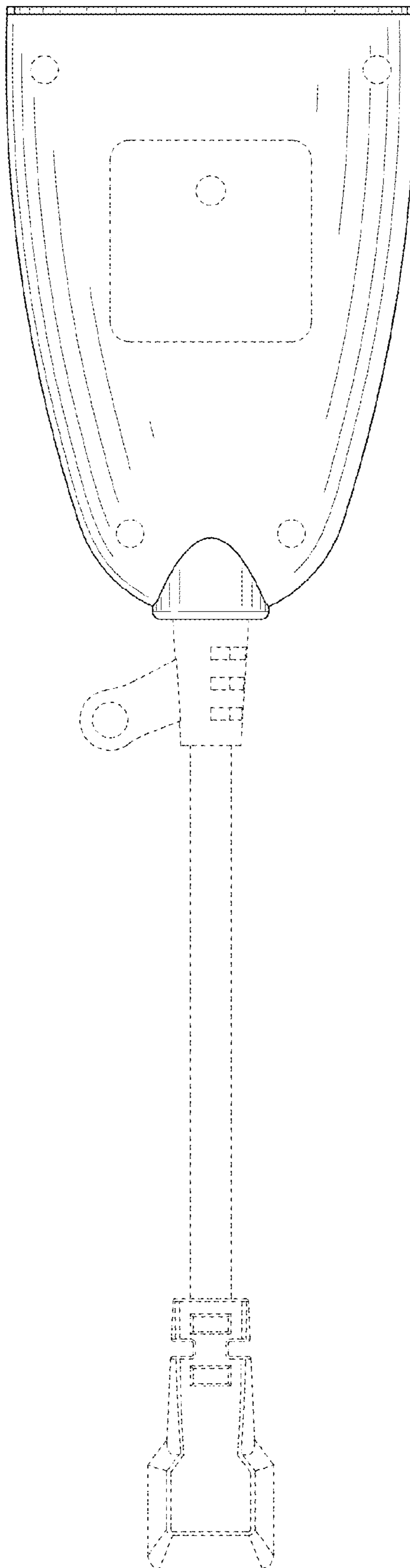


FIG. 8