



US00D922215S

(12) **United States Design Patent** (10) **Patent No.:** **US D922,215 S**  
**Yu** (45) **Date of Patent:** **\*\* Jun. 15, 2021**

(54) **TIMER**

D646,590 S \* 10/2011 Stekelenburg ..... D10/40  
D646,591 S \* 10/2011 Stekelenburg ..... D10/40  
D667,736 S \* 9/2012 Stack ..... D10/40  
D791,620 S \* 7/2017 Trice ..... D10/40

(71) Applicant: **NINGBO WELL ELECTRIC APPLIANCE CO., LTD.**, Ningbo (CN)

**FOREIGN PATENT DOCUMENTS**

(72) Inventor: **Guolin Yu**, Ningbo (CN)

CN 200930096095 \* 4/2009  
CN 200930096098 \* 4/2009

(73) Assignee: **NINGBO WELL ELECTRIC APPLIANCE CO., LTD.**, Ningbo (CN)

**OTHER PUBLICATIONS**

(\*\*) Term: **15 Years**

Youtube, How to Use FE 24 Hour Plug In Heavy Duty Indoor Mechanical Pin Timer, posted May 17, 2017, [online], [visited Mar. 18, 2021]. Internet, <URL: <https://www.youtube.com/watch?v=WFz7puFn2l8>> (Year: 2017).\*  
Amazon, Timeguard TG24 Segment timer, posted Mar. 25, 2011, [online], [visited Mar. 18, 2021]. Internet, <URL: <https://www.amazon.co.uk/Timeguard-TG24-Compact-Segment-Controller/dp/B004TRSDZO/ref>> (Year: 2011).\*

(21) Appl. No.: **29/702,978**

(22) Filed: **Aug. 22, 2019**

(30) **Foreign Application Priority Data**

Aug. 16, 2019 (CN) ..... 201930447102.1

\* cited by examiner

(51) **LOC (13) Cl.** ..... **10-03**

*Primary Examiner* — Sheryl Lane

(52) **U.S. Cl.**  
USPC ..... **D10/40**

*Assistant Examiner* — Samantha N Wood

(58) **Field of Classification Search**  
USPC ..... D10/40, 41, 49, 50, 52, 96, 97, 103, 57;  
D13/162, 162.1, 199, 137.2, 137.4, 137.1  
CPC ... G04F 1/00; G04F 1/005; G04F 1/04; G04F 1/06; G04F 1/066; G04F 3/00; G04F 3/02; G04F 3/022; G04F 3/027; G04F 3/04; G04F 3/06; G04C 23/00; G04C 23/02; G04C 23/04; G04C 23/06; G04C 23/08

(57) **CLAIM**

The ornamental design for a timer, as shown and described.

See application file for complete search history.

**DESCRIPTION**

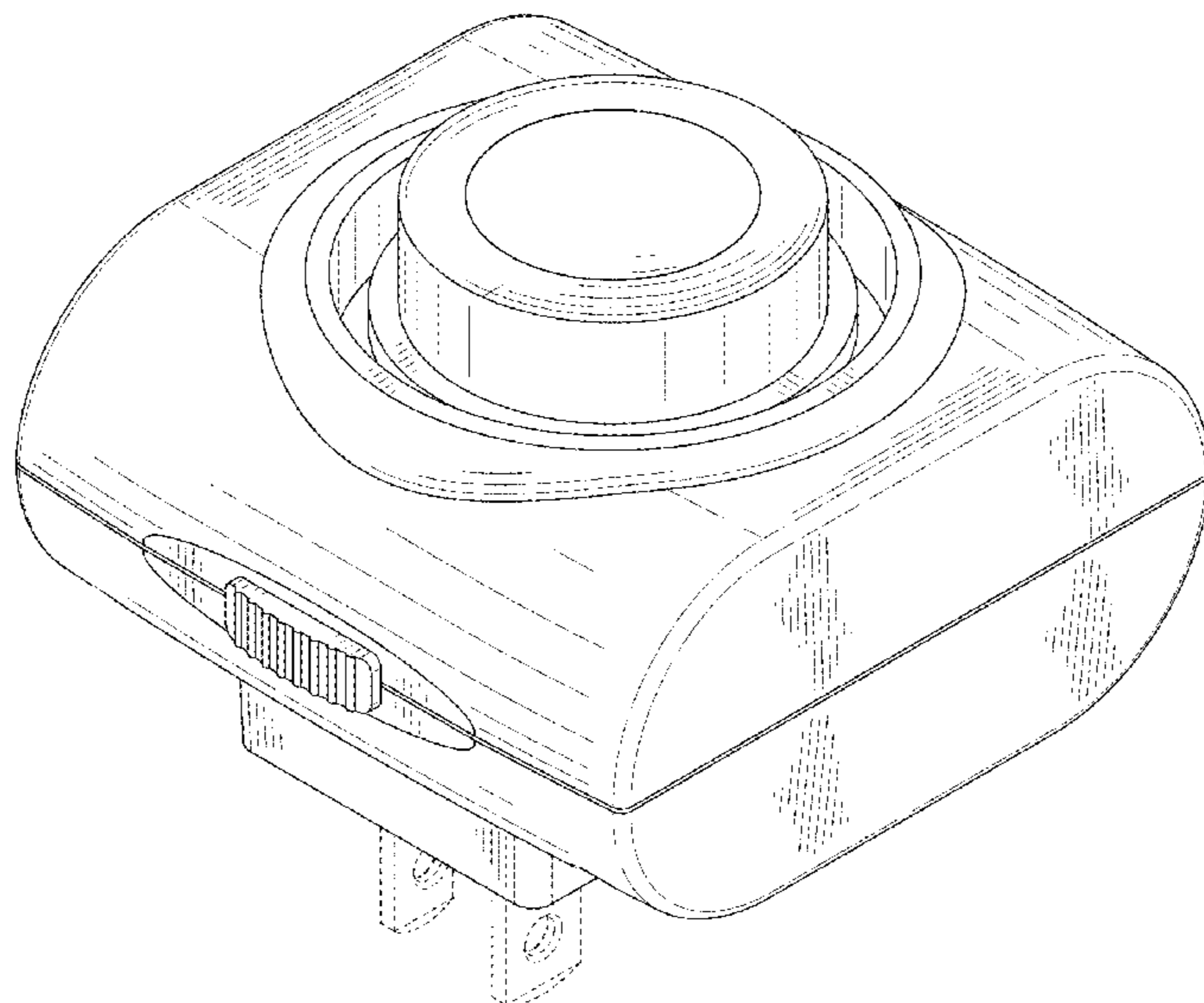
FIG. 1 is a right, front, top perspective view of a timer showing my new design;  
FIG. 2 is a left, rear, bottom perspective view thereof;  
FIG. 3 is a front elevational view thereof;  
FIG. 4 is a rear elevational view thereof;  
FIG. 5 is a left side elevational view thereof;  
FIG. 6 is a right side elevational view thereof;  
FIG. 7 is a top plan view thereof; and,  
FIG. 8 is a bottom plan view thereof.  
The broken lines in the drawings illustrate portions of the timer that form no part of the claimed design.

(56) **References Cited**

**U.S. PATENT DOCUMENTS**

D265,553 S \* 7/1982 Joss ..... D10/2  
D405,376 S \* 2/1999 Stekelenburg ..... D10/40  
D525,540 S \* 7/2006 Stekelenburg ..... D10/40  
D619,910 S \* 7/2010 Stekelenburg ..... D10/40

**1 Claim, 8 Drawing Sheets**



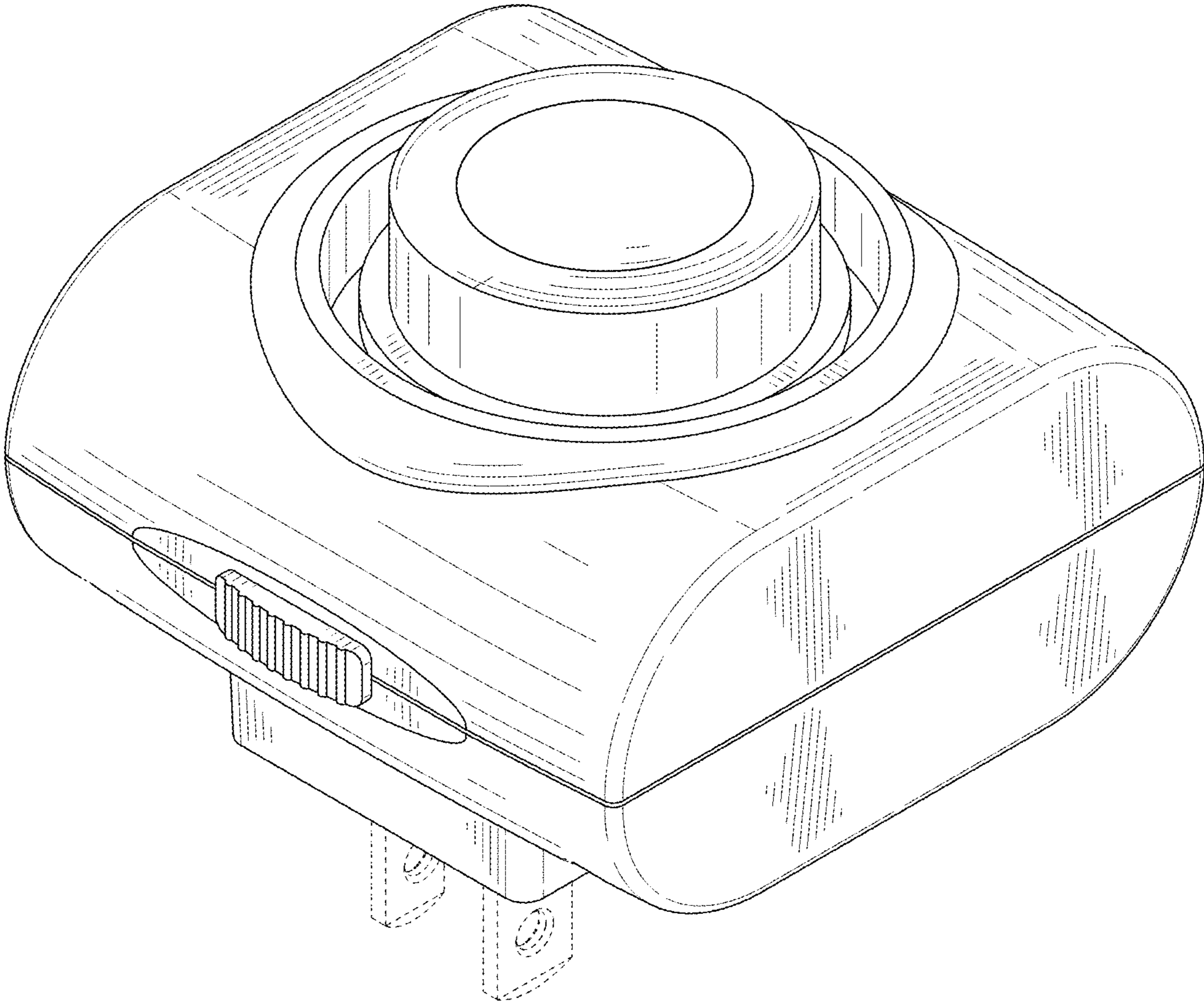


FIG. 1

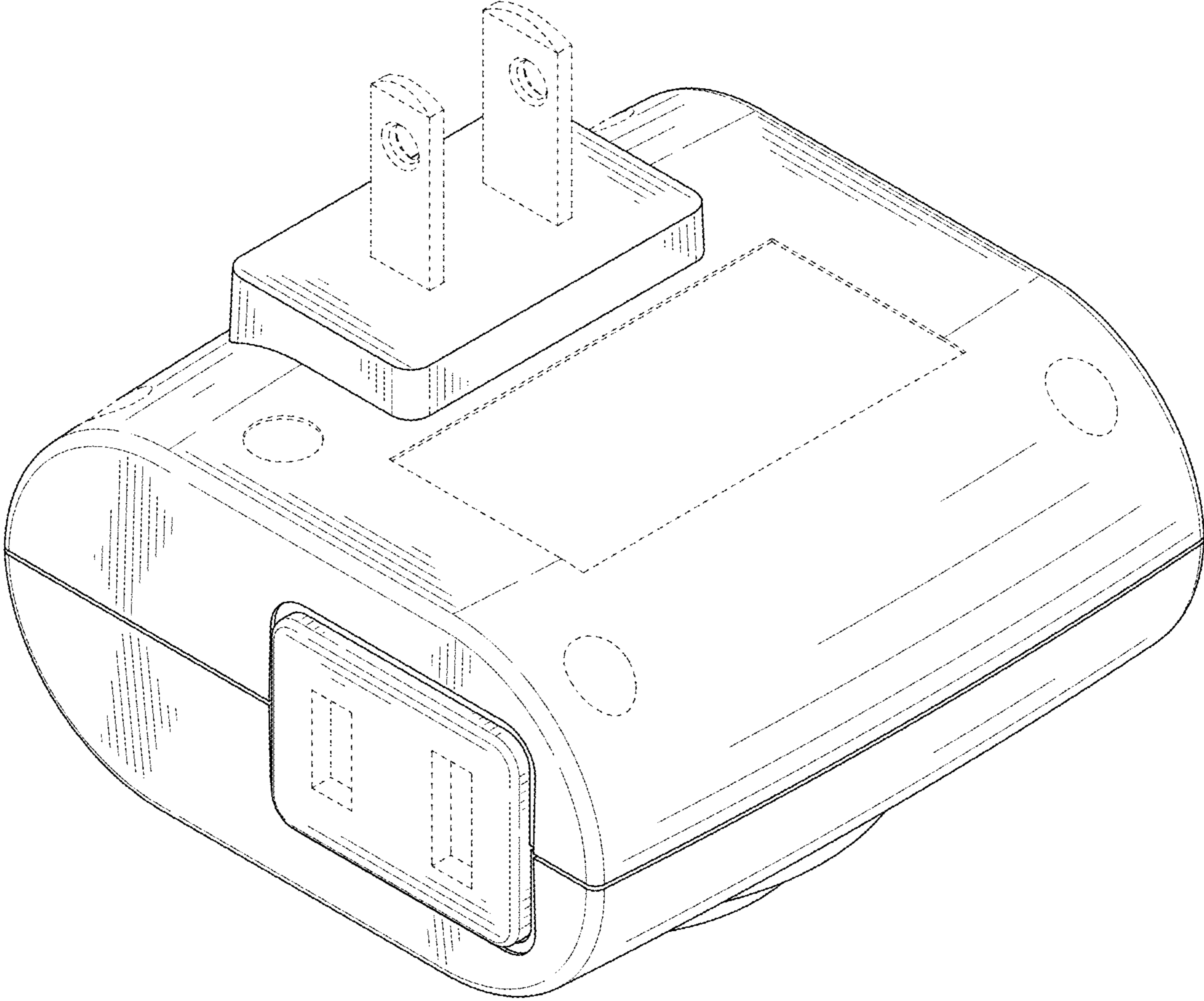


FIG. 2

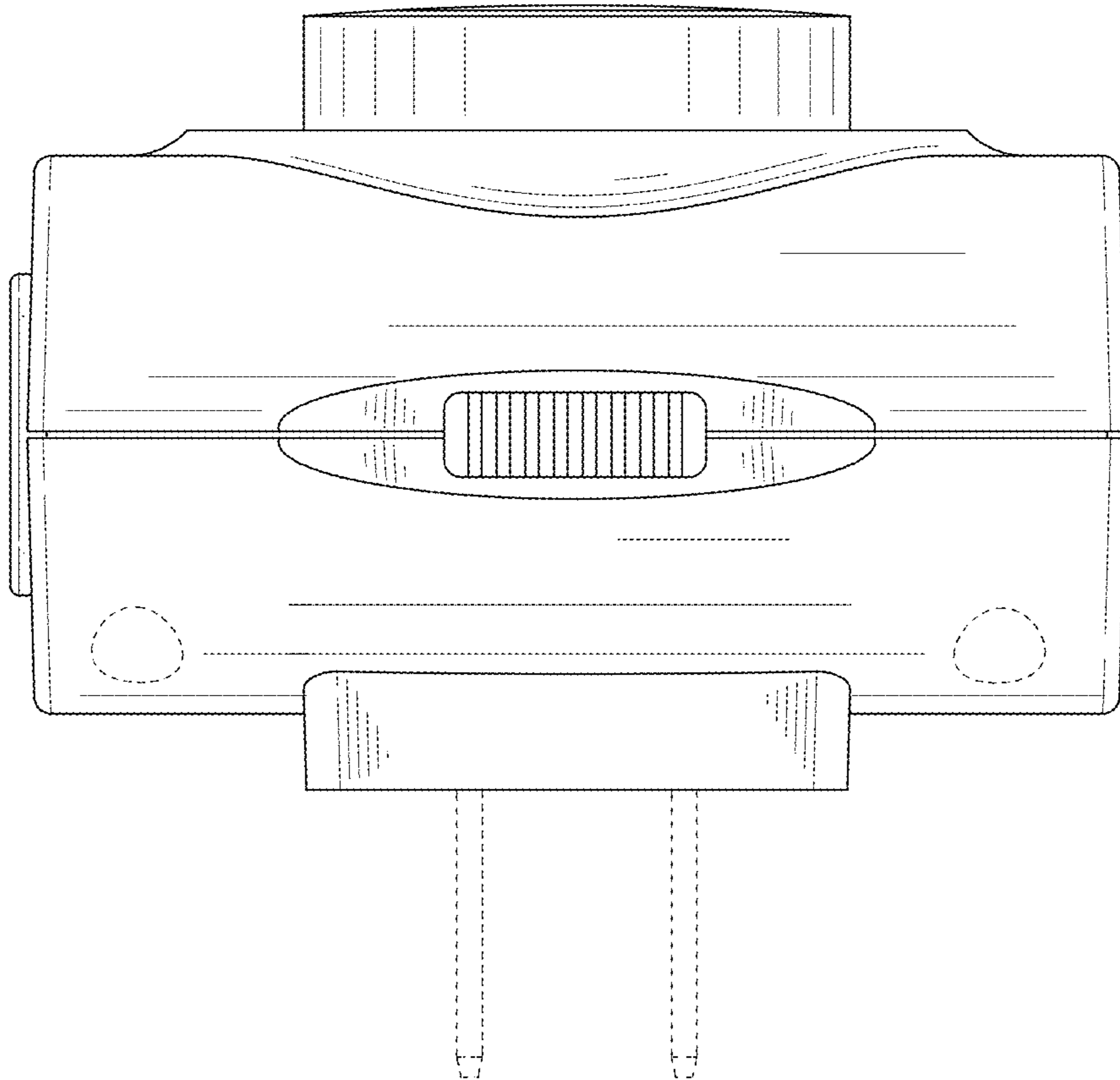


FIG. 3

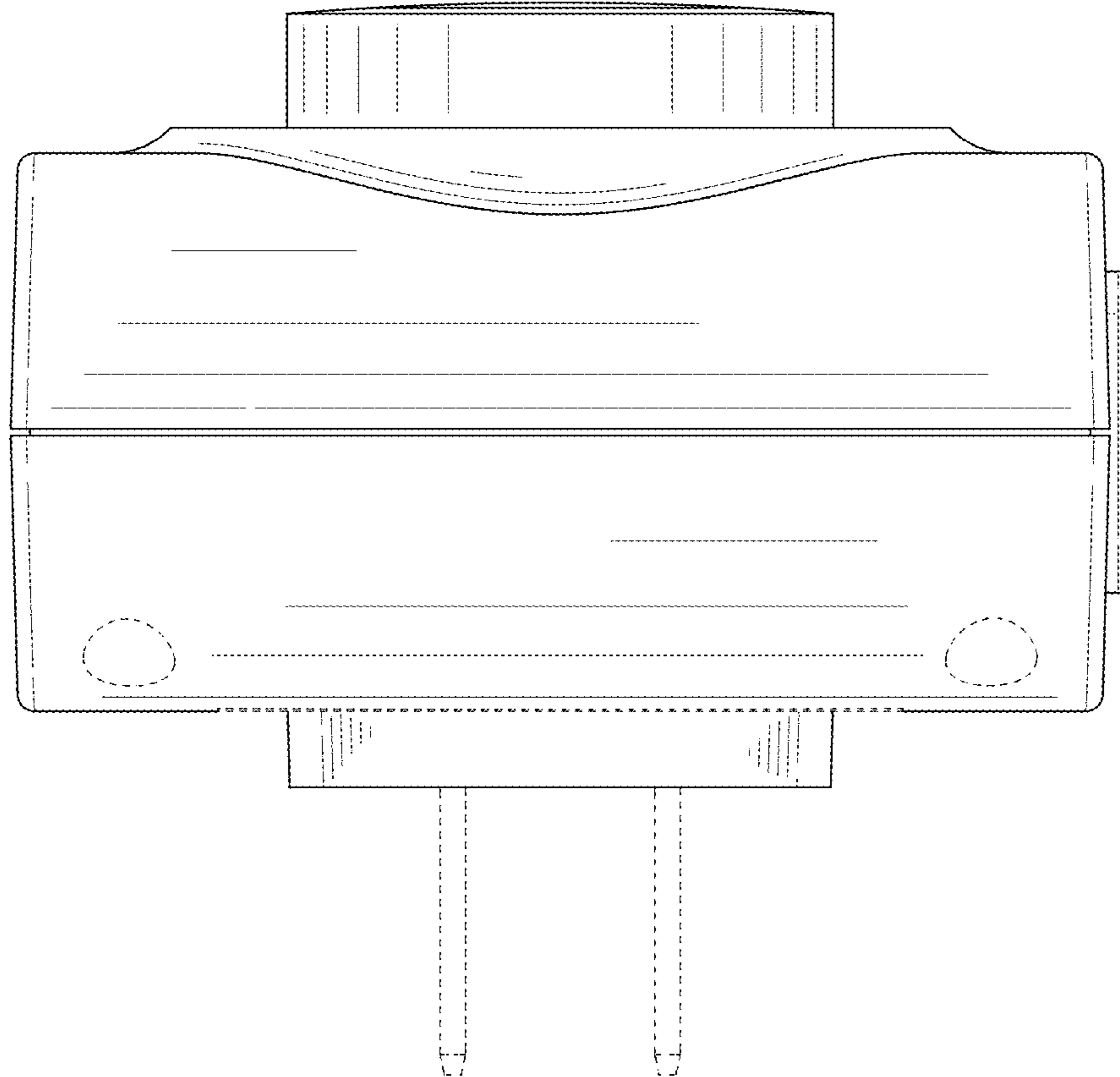


FIG. 4

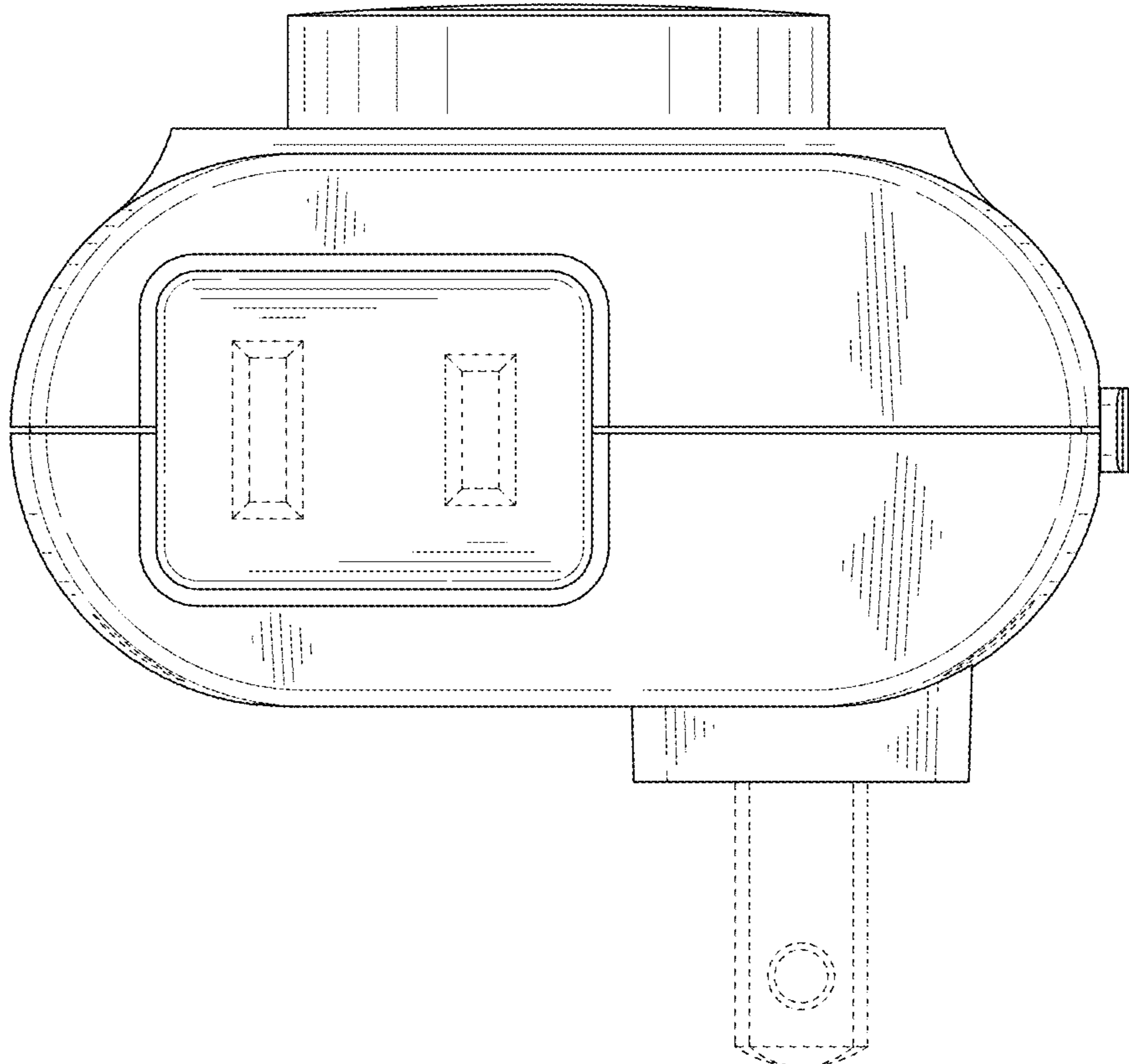


FIG. 5

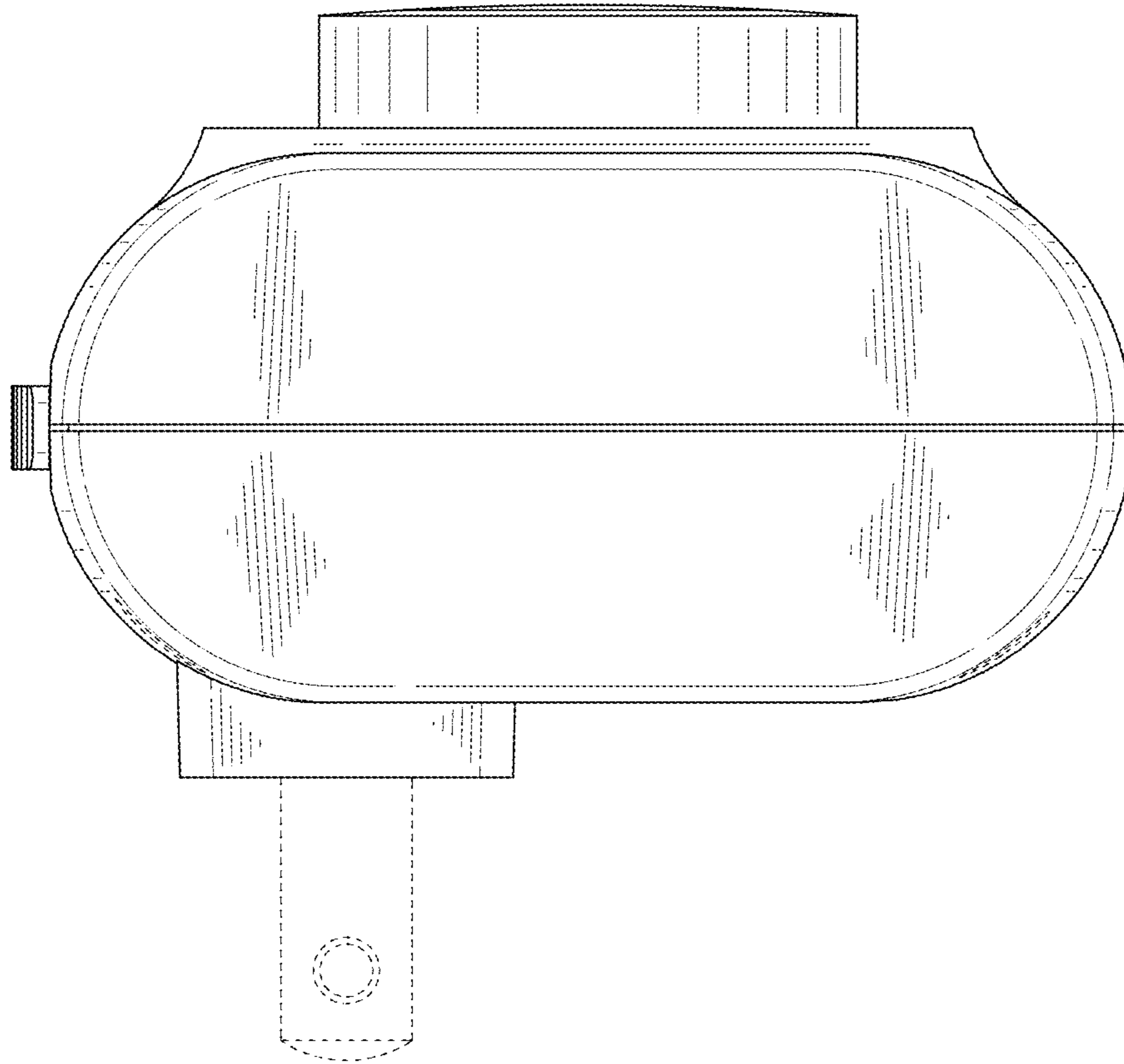


FIG. 6

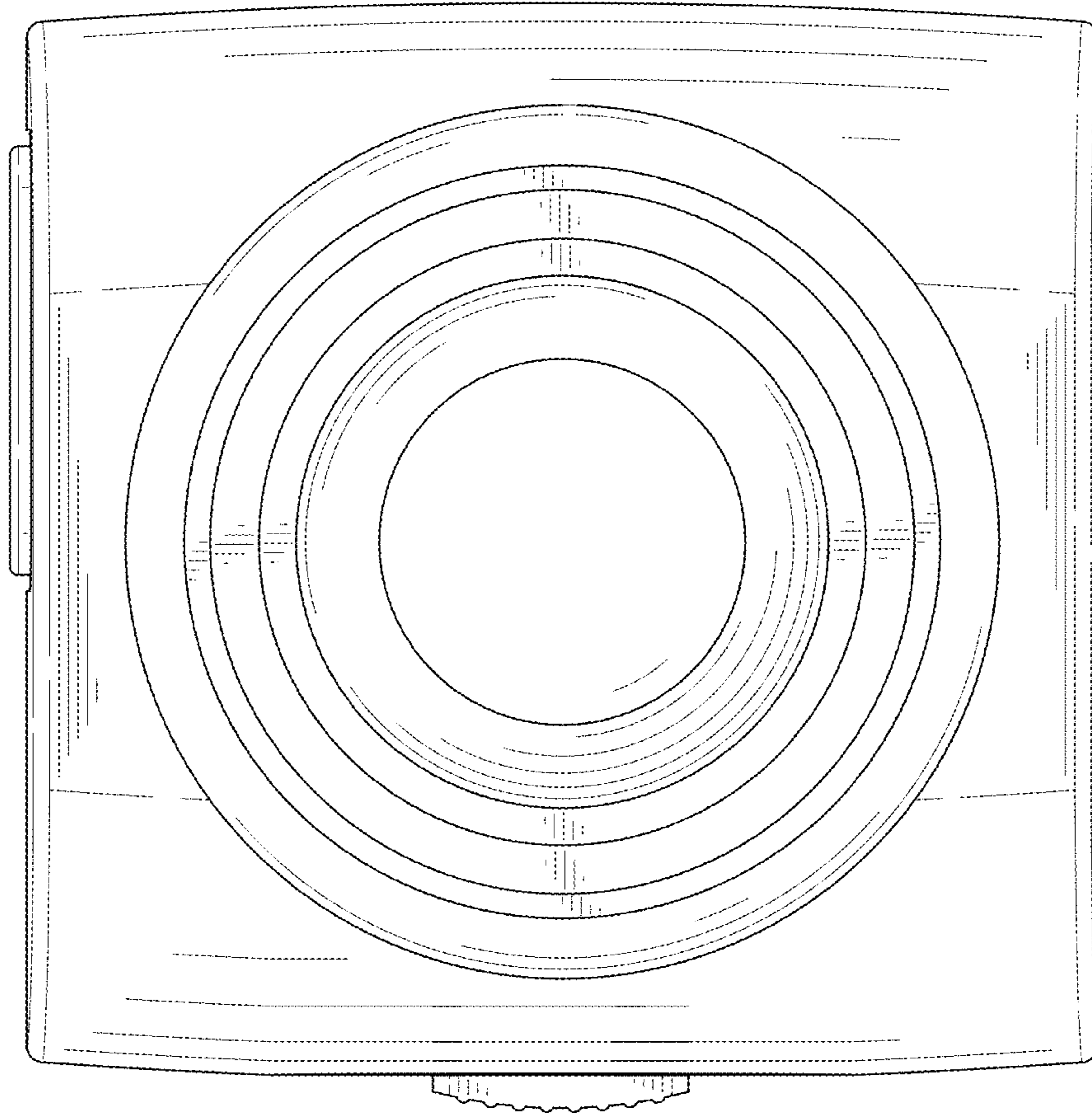


FIG. 7



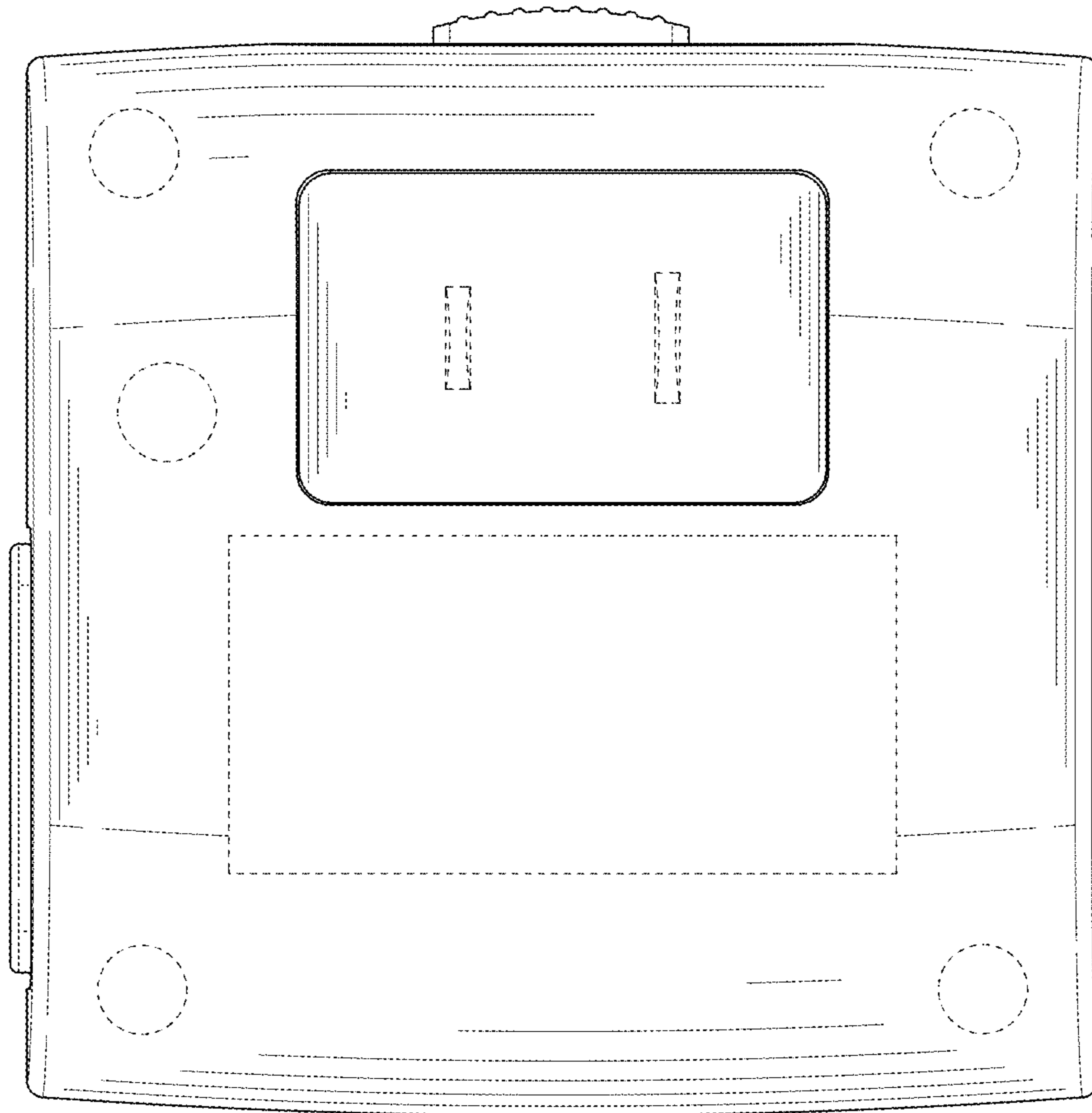


FIG. 8