



US00D922214S

(12) **United States Design Patent**
Nobile

(10) **Patent No.: US D922,214 S**

(45) **Date of Patent: ** Jun. 15, 2021**

(54) **WRIST WATCH**

7,252,430 B2 * 8/2007 Terzian G04G 17/00
368/282

(71) Applicant: **TOP KLASSE LIMITED**, Grumo
Nevano (IT)

D597,858 S * 8/2009 Reynoso G04G 17/08
D10/31

(72) Inventor: **Mario Nobile**, Hong Kong (CN)

D756,241 S * 5/2016 Gabor D10/32

D848,290 S * 5/2019 Janzen D10/39

D880,317 S * 4/2020 De Castellane D10/39

D883,810 S * 5/2020 Duval D10/39

(**) Term: **15 Years**

* cited by examiner

(21) Appl. No.: **35/509,394**

Primary Examiner — George D. Kirschbaum

(22) Filed: **Jan. 20, 2020**

(80) **Hague Agreement Data**

Int. Filing Date: **Jan. 20, 2020**

Int. Reg. No.: **DM/208129**

Int. Reg. Date: **Jan. 20, 2020**

Int. Reg. Pub. Date: **May 22, 2020**

(57) **CLAIM**

The ornamental design for a wrist watch, as shown and described.

(51) **LOC (13) Cl.** **10-02**

(52) **U.S. Cl.**
USPC **D10/39**

DESCRIPTION

(58) **Field of Classification Search**

USPC D10/31, 32, 39

CPC G04B 37/04; G04G 17/08; G04G 17/00

See application file for complete search history.

- 1. Wrist watch
- 1.1 : Side view (bottom)
- 1.2 : Side view (top)
- 1.3 : Bottom
- 1.4 : Perspective
- 1.5 : Left
- 1.6 : Top
- 1.7 : Right

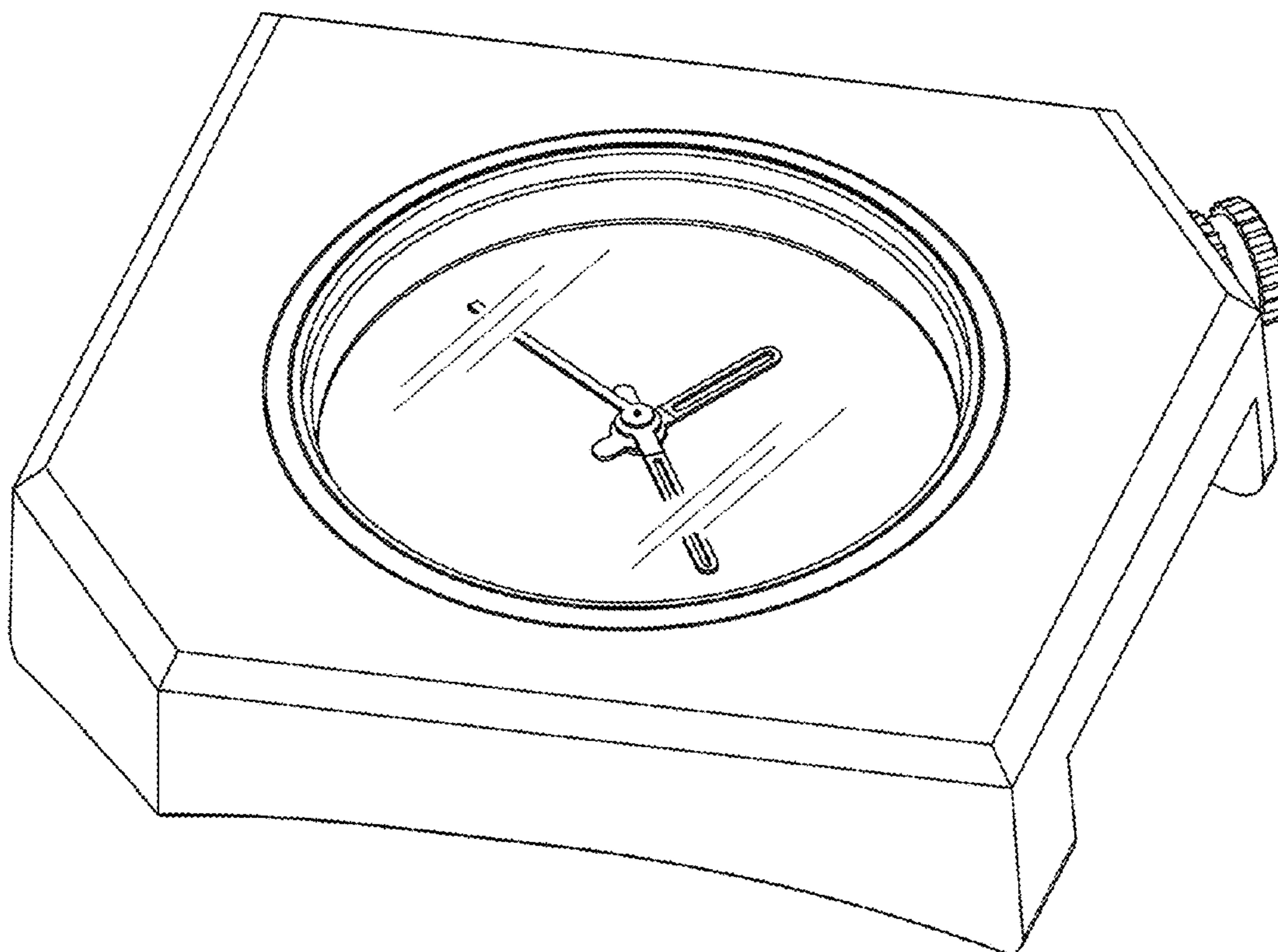
(56) **References Cited**

U.S. PATENT DOCUMENTS

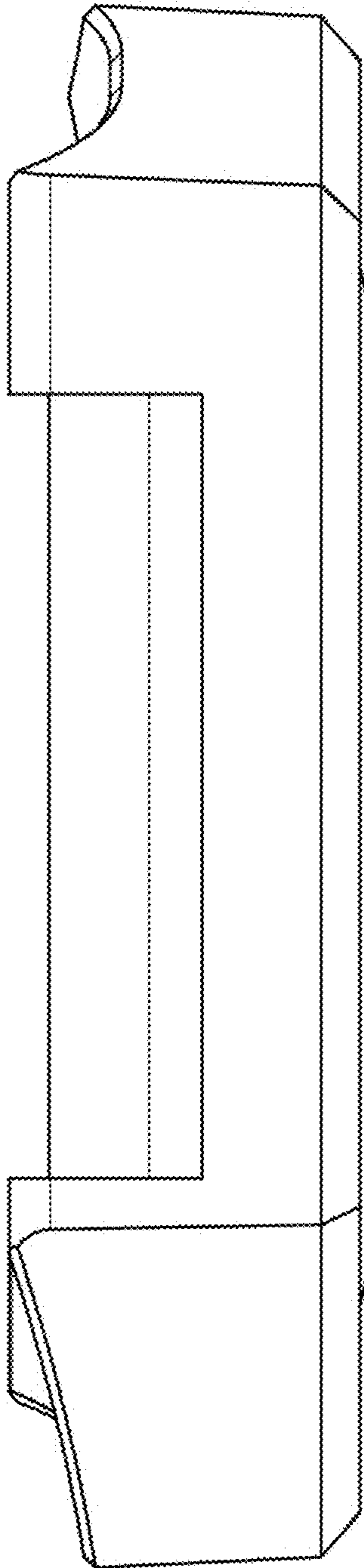
1,634,447 A * 7/1927 Bowen G04B 37/04
368/281

D544,375 S * 6/2007 Burton D10/32

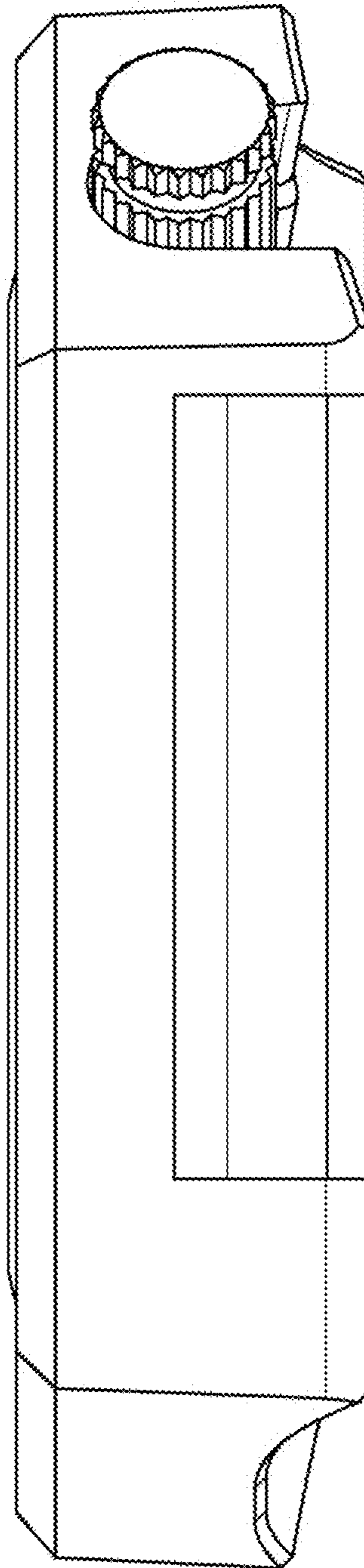
1 Claim, 7 Drawing Sheets



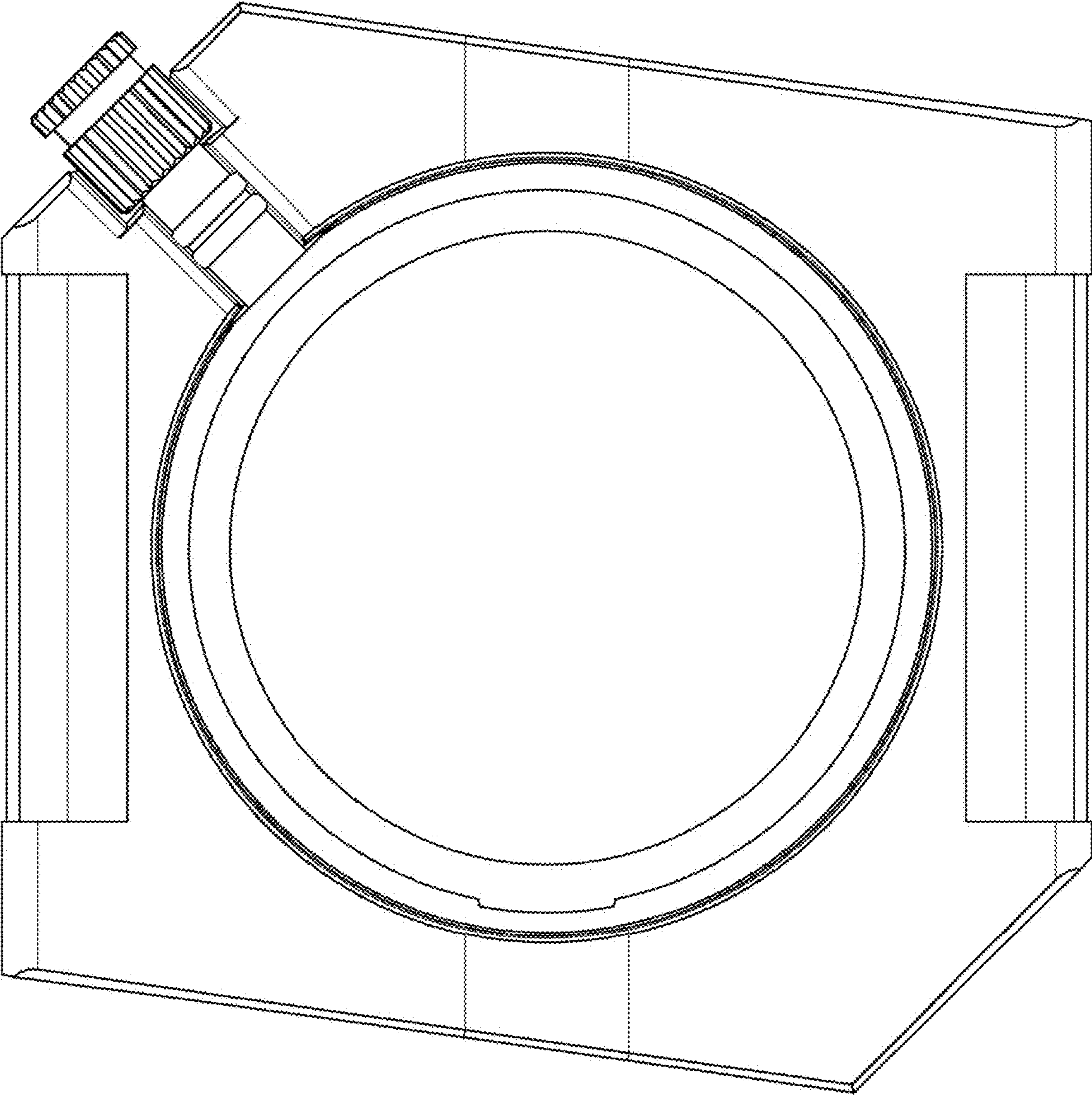
1.1



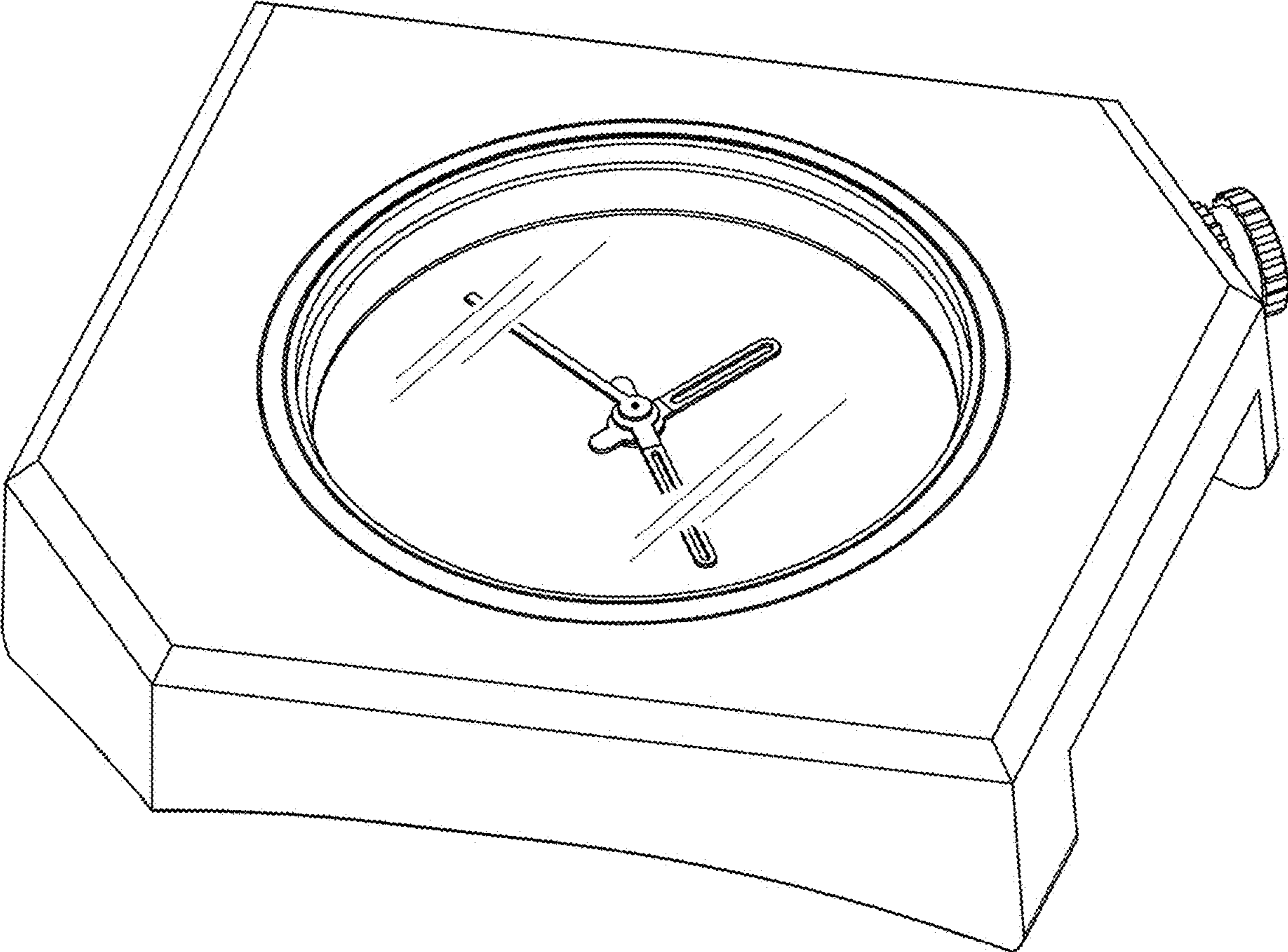
1.2



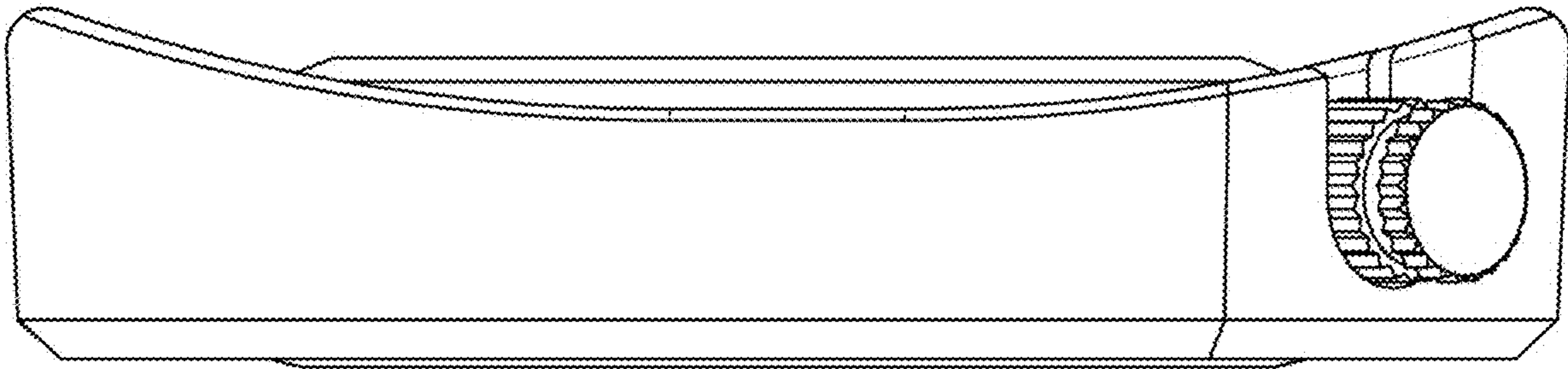
1.3



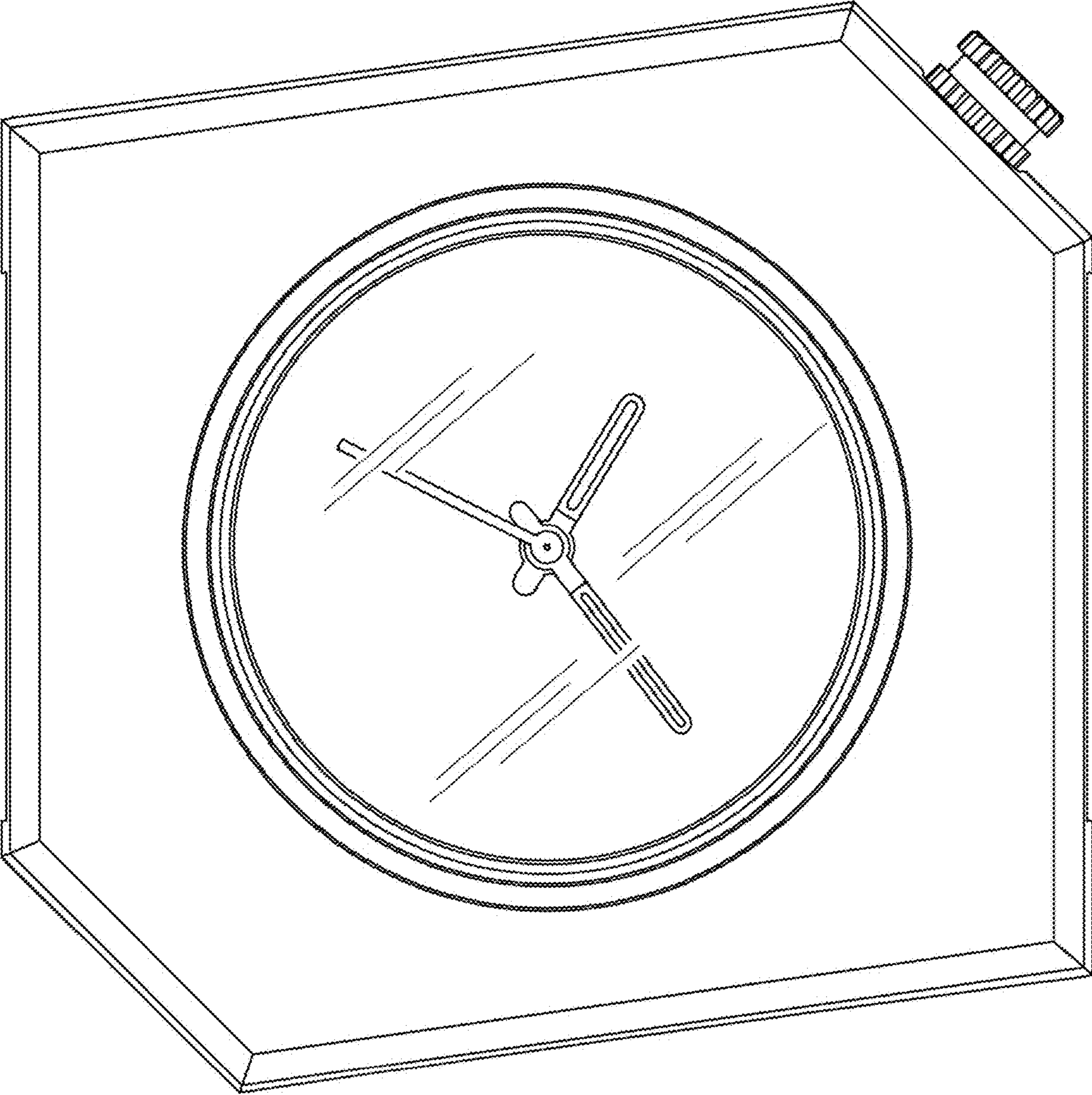
1.4



1.5



1.6



1.7

