



US00D922213S

(12) **United States Design Patent** (10) **Patent No.:** **US D922,213 S**
Matey et al. (45) **Date of Patent:** **** Jun. 15, 2021**

(54) **WATCH**

(71) Applicant: **Origami Owl, LLC**, Chandler, AZ (US)

(72) Inventors: **Emma Matey**, Chandler, AZ (US); **Blair Buttke**, Phoenix, AZ (US); **Dale Lee Tse Kang**, Kowloon (HK); **Rose Chau Pei Shan**, Kowloon (HK)

(73) Assignee: **Origami Owl, LLC**, Chandler, AZ (US)

(**) Term: **15 Years**

(21) Appl. No.: **29/719,777**

(22) Filed: **Jan. 7, 2020**

Related U.S. Application Data

(62) Division of application No. 29/579,424, filed on Sep. 29, 2016, now Pat. No. Des. 875,556.

(51) **LOC (13) Cl.** **10-02**

(52) **U.S. Cl.**
USPC **D10/39**

(58) **Field of Classification Search**
USPC D10/30-39, 132, 122-124, 126-128;
D14/344

(Continued)

(56) **References Cited**

U.S. PATENT DOCUMENTS

D262,609 S 1/1982 Kurowsky
D262,692 S 1/1982 Kurowsky

(Continued)

OTHER PUBLICATIONS

“Fall 2016 Origami Owl Custom Jewelry” catalog, Aug. 9, 2016; Chandler, Arizona, USA.

(Continued)

Primary Examiner — Katherine Glennon

(74) *Attorney, Agent, or Firm* — Fennemore Craig, P.C.

(57) **CLAIM**

The ornamental design for a watch, as shown and described.

DESCRIPTION

FIG. 1 is a perspective view of a first embodiment of a watch, the watch comprising a watch case, a plurality of lugs, and a watch cover;

FIG. 2 is a front elevation view thereof;

FIG. 3 is a rear elevation view thereof;

FIG. 4 is a top plan view thereof;

FIG. 5 is a bottom plan view thereof;

FIG. 6 is a left side elevation view thereof;

FIG. 7 is a right side elevation view thereof;

FIG. 8 is a perspective view of a second embodiment of a watch, the watch comprising a watch case and a watch cover;

FIG. 9 is a front elevation view thereof;

FIG. 10 is a rear elevation view thereof;

FIG. 11 is a top plan view thereof;

FIG. 12 is a bottom plan view thereof;

FIG. 13 is a left side elevation view thereof;

FIG. 14 is a right side elevation view thereof;

FIG. 15 is a perspective view of the first embodiment of FIG. 1, wherein the watch cover has been removed for ease of illustration;

FIG. 16 is a front elevation view thereof;

FIG. 17 is a rear elevation view thereof;

FIG. 18 is a top plan view thereof;

FIG. 19 is a bottom plan view thereof;

FIG. 20 is a left side elevation view thereof;

FIG. 21 is a right side elevation view thereof;

FIG. 22 is a perspective view of the second embodiment of FIG. 2, wherein the watch cover has been removed for ease of illustration;

FIG. 23 is a front elevation view thereof;

FIG. 24 is a rear elevation view thereof;

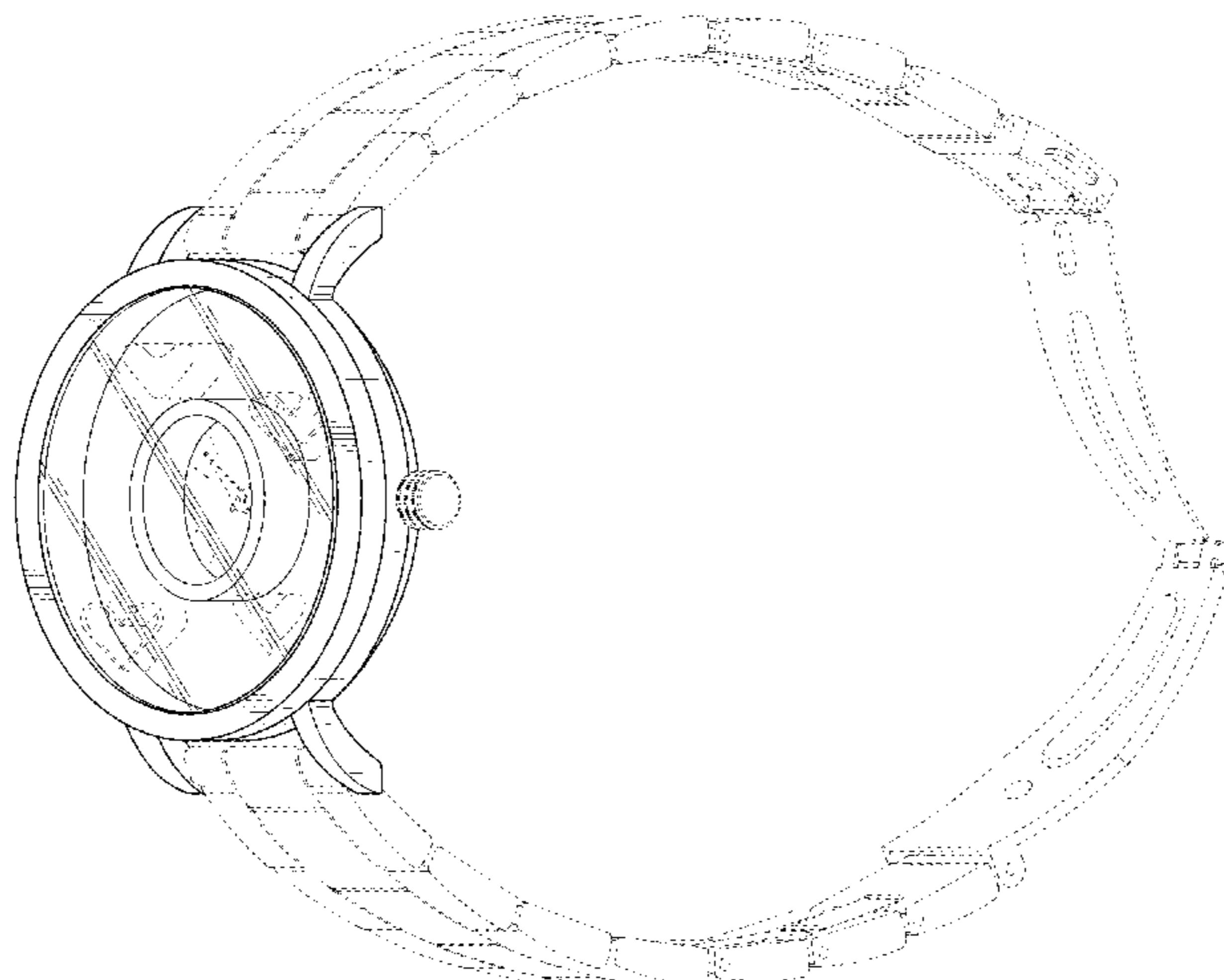
FIG. 25 is a top plan view thereof;

FIG. 26 is a bottom plan view thereof;

FIG. 27 is a left side elevation view thereof; and,

FIG. 28 is a right side elevation view thereof.

(Continued)



The broken lines in the drawings illustrate portions of the watch that form no part of the claimed design.

1 Claim, 20 Drawing Sheets

(58) Field of Classification Search

CPC G04B 37/005; G04B 37/0058; G04B 37/0084; G04B 37/087; G04B 37/12; A44C 5/00; A44C 5/02; A44C 5/0007; A44C 5/0015; A44C 5/0023; A44C 5/0053; A44C 5/147

See application file for complete search history.

(56) References Cited

U.S. PATENT DOCUMENTS

| | | | | |
|-----------|-----|---------|------------------|--------|
| 4,734,895 | A | 3/1988 | Grosskopf | |
| D316,974 | S | 5/1991 | Fong | |
| D319,027 | S | 8/1991 | Burgener | |
| 5,051,969 | A | 9/1991 | Huang | |
| 5,077,709 | A | 12/1991 | Feher | |
| D325,887 | S | 5/1992 | Vodhanel, Jr. | |
| D326,231 | S * | 5/1992 | Woomer | D10/39 |
| 5,319,615 | A | 6/1994 | Ng | |
| D353,339 | S | 12/1994 | Gazzola | |
| D370,859 | S | 6/1996 | Scheufele | |
| D373,957 | S | 9/1996 | Mareschal | |
| 5,652,736 | A | 7/1997 | Lee | |
| D386,422 | S | 11/1997 | Sang | |
| D386,979 | S | 12/1997 | Kubisch | |
| 5,751,667 | A | 5/1998 | Nunes | |
| D420,600 | S | 2/2000 | Gruosi-Scheufele | |
| 6,226,232 | B1 | 5/2001 | Ruchonnet | |
| D491,077 | S * | 6/2004 | Stoop | D10/30 |
| 6,819,632 | B1 | 11/2004 | Paul | |
| D507,496 | S * | 7/2005 | Tang | D10/30 |
| D507,974 | S | 8/2005 | Strasser | |
| D508,416 | S * | 8/2005 | Tang | D10/30 |
| D509,447 | S | 9/2005 | Scheufele | |
| D509,448 | S | 9/2005 | Scheufele | |
| D509,449 | S | 9/2005 | Scheufele | |
| D509,759 | S | 9/2005 | Scheufele | |
| D526,218 | S | 8/2006 | Krieger | |
| 7,126,881 | B2 | 10/2006 | Cooper et al. | |
| D532,320 | S | 11/2006 | Arabo | |
| D537,741 | S | 3/2007 | Gruosi-Scheufele | |
| D546,715 | S | 7/2007 | Gruosi-Scheufele | |
| D546,716 | S | 7/2007 | Gruosi-Scheufele | |
| D546,718 | S | 7/2007 | Gruosi-Scheufele | |
| D547,210 | S | 7/2007 | Gruosi-Scheufele | |
| D554,535 | S | 11/2007 | Journe | |
| D560,513 | S | 1/2008 | Glassman | |
| 7,359,287 | B2 | 4/2008 | Baroche | |
| D607,758 | S | 1/2010 | Hegi | |
| D615,881 | S | 5/2010 | Chastaingt | |
| D627,240 | S | 11/2010 | Strasser | |
| D631,374 | S | 1/2011 | Hegi | |
| D631,763 | S | 2/2011 | Vollet | |
| D634,216 | S | 3/2011 | Clare | |

| | | | | |
|--------------|------|---------|----------------|------------------------|
| D642,076 | S | 7/2011 | Chastaingt | |
| 8,096,702 | B2 | 1/2012 | Grotell et al. | |
| D677,177 | S | 3/2013 | Nashimoto | |
| D690,208 | S | 9/2013 | Sasaki | |
| D706,142 | S | 6/2014 | Monachon | |
| D711,278 | S | 8/2014 | Kadri | |
| 8,879,368 | B2 | 11/2014 | Jacobi, Jr. | |
| D720,630 | S | 1/2015 | Nashimoto | |
| 8,974,113 | B1 | 3/2015 | Chan | |
| D729,076 | S | 5/2015 | Monachon | |
| D761,151 | S | 7/2016 | Weems | |
| D775,545 | S | 1/2017 | Weems | |
| D795,709 | S | 8/2017 | Roberts | |
| D875,556 | S * | 2/2020 | Matey | D10/39 |
| 2010/0329084 | A1 | 12/2010 | Mo | |
| 2013/0083634 | A1 * | 4/2013 | Hembo | G04B 39/002 368/285 |
| 2014/0341004 | A1 | 11/2014 | Von Burg | |
| 2014/0345323 | A1 | 11/2014 | Sevikian | |

OTHER PUBLICATIONS

Chopard Geneve Happy Diamond Watches, posted at iorio.com. No posting date given; vintage 1990s watch © J&M Coin & Jewellery Ltd. 2000-2013 [online][site visited Oct. 19, 2017]. Available from Internet: <http://www.iorio.com/watch/chopard/jk9d628a.html> (Year: 1990).

Chopard Watch Happy Diamond, posted at passions.com. No posting date given; vintage 1990s watch © 1991-2015 [online][site visited Oct. 19, 2017]. Available from Internet: <http://www.passions.com.sg/v2/watch/chopard-ladys-happy-diamonds-18kyg> (Year: 1990).

Kenneth Cole New York KC2785 Watch, posted at amazon.com. Posting date not given; date first available May 1, 2013 © 1996-2017, Amazon.com, Inc. [online][site visited Oct. 19, 2017]. Available from Internet: <https://www.amazon.com/Kenneth-Cole-New-York-KC2785/dp/B00APKMUIK> (Year: 2013).

Origami Owl Watch, posted at owlography.com Aug. 2015 © Owlography, 2016 [online][site visited Apr. 2, 2018]. Available from Internet: <http://www.owlography.com/origami-owl-watch/> (Year: 2015).

Origami Owl How to Customize your Signature Locket Watch Band, posted at youtube.com Jan. 2017 [online]. © [retrieved Sep. 19, 2019] from Internet: https://www.youtube.com/watch?time_continue=11&v=74G0khLd6u4 (Year: 2017).

Chopard Happy Diamond 1980 floating dial, posted at vtgwatch.com n.d. circa 1980 © 2017 VTGwatch.com [online][site visited Nov. 1, 2018]. Available from Internet: <https://www.vtgwatch.com/chopard-happy-diamonds-0-15crt-18k-papers-gift-box-1980-solid-gold-floating-diamonds.html> (Year: 1980).

Origami Owl Watch, posted at youtube.com Jul. 28, 2018 [online][site visited Nov. 1, 2018]. Available from Internet: https://www.youtube.com/watch?v=8rd1U9-L_WA (Year: 2015).

A Brief History of Chopard Time and Jewels, posted at watchprosite.com Feb. 2016 © ** [online][site visited Nov. 1, 2018]. Available from Internet: <https://www.watchprosite.com/chopard/a-brief-history-of-chopard-time-and-jewels-part-5-happy-diamonds-mens-watch/5.1035163.7387643/> (Year: 2016).

* cited by examiner

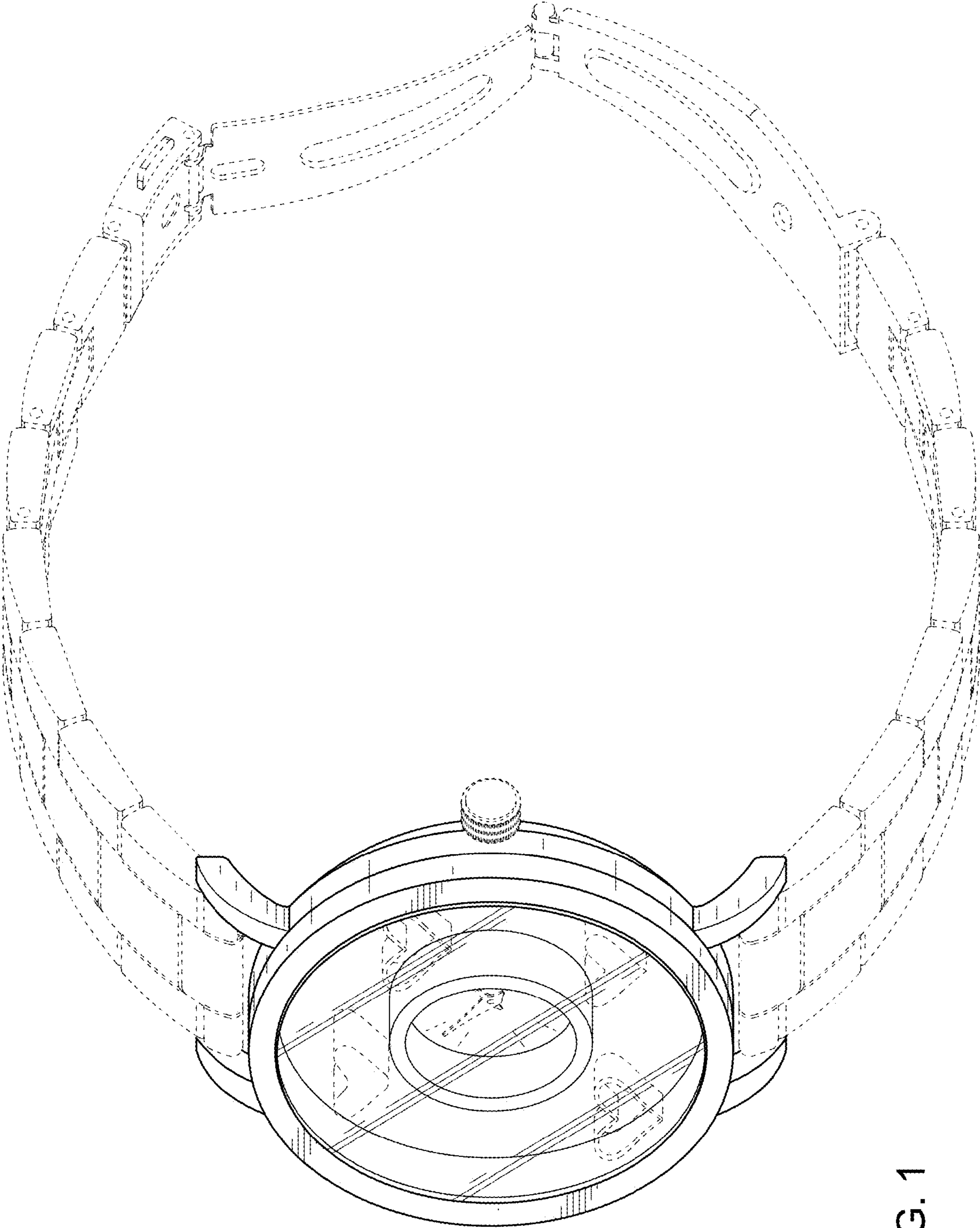


FIG. 1

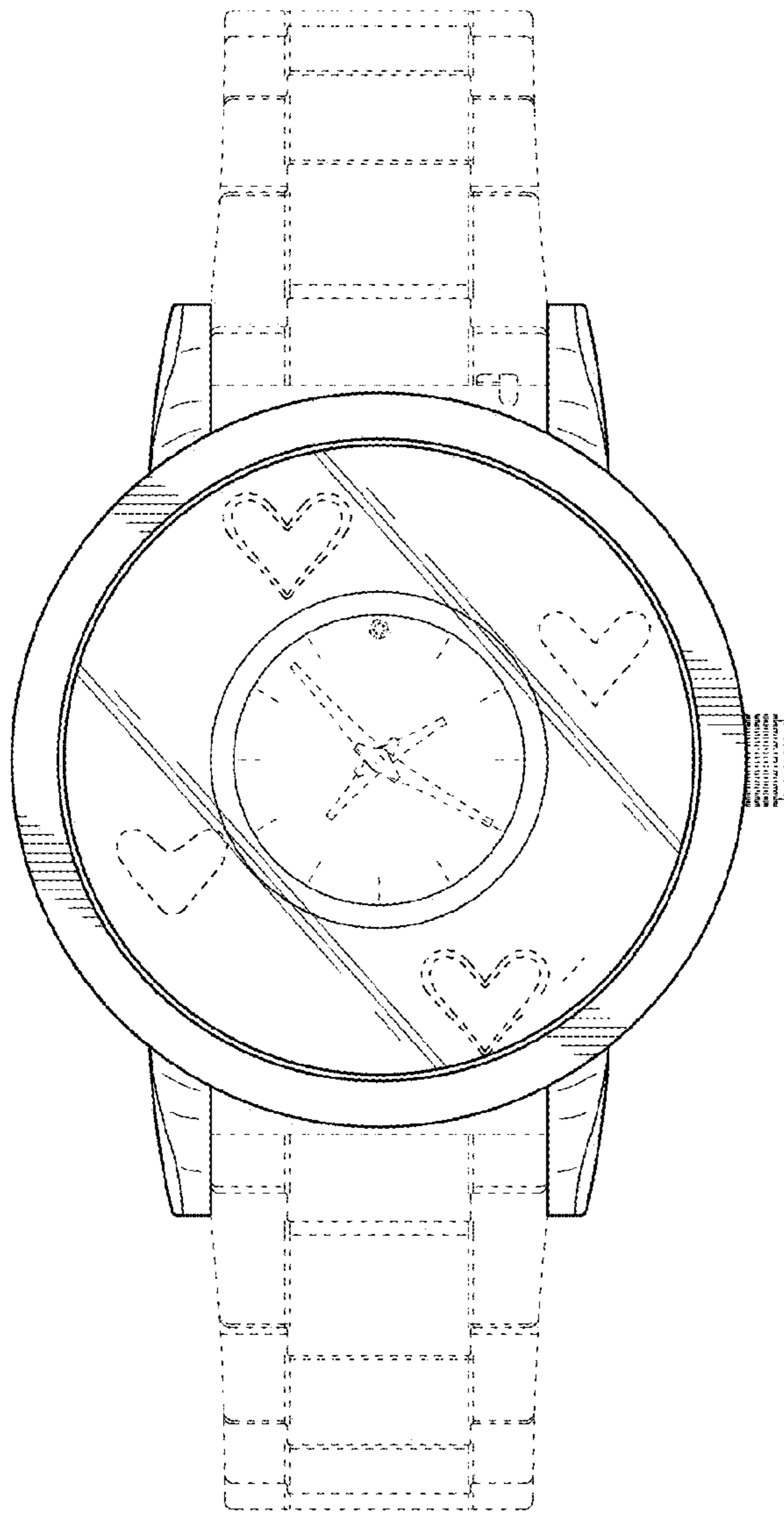


FIG. 2

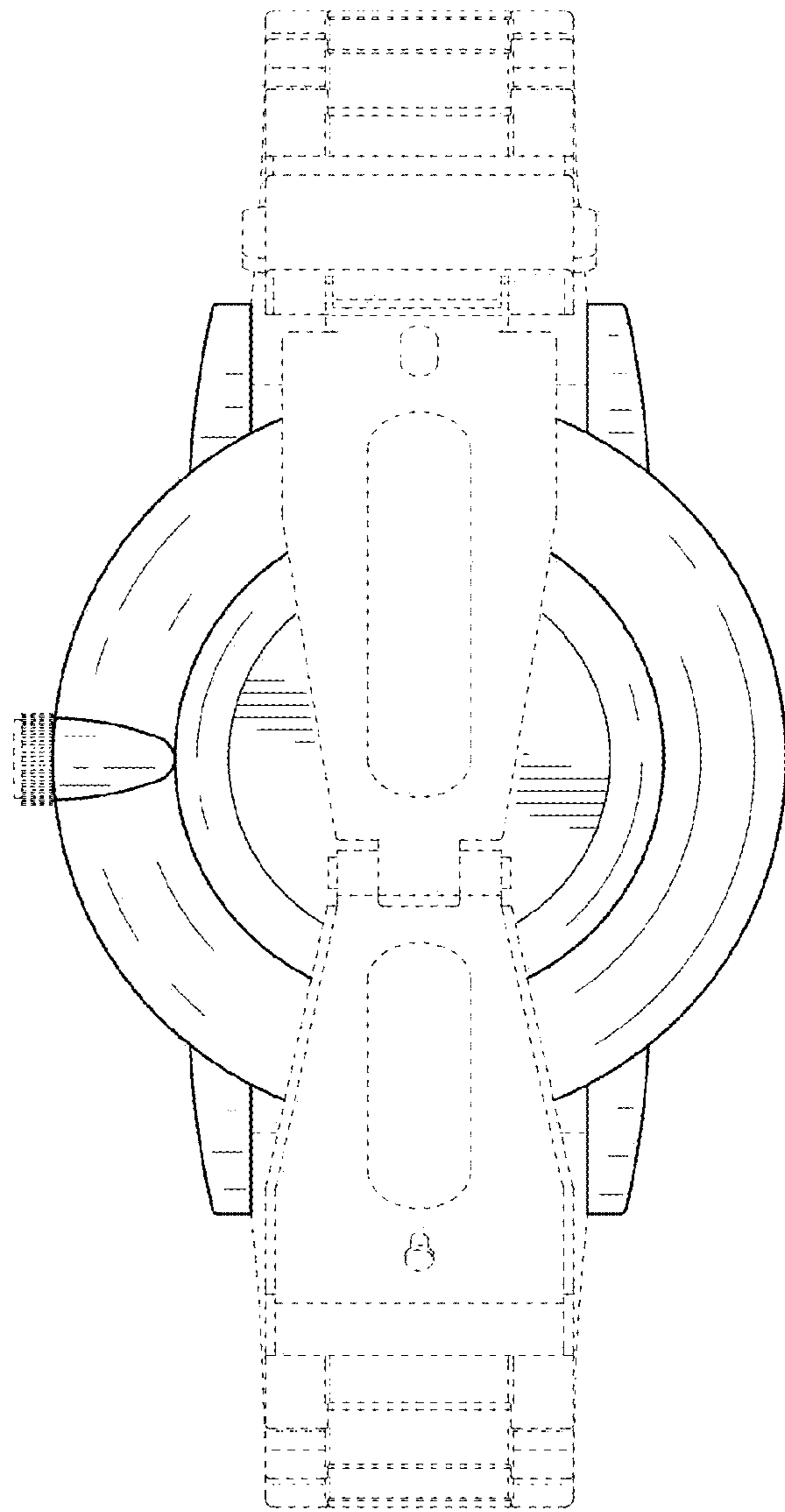


FIG. 3

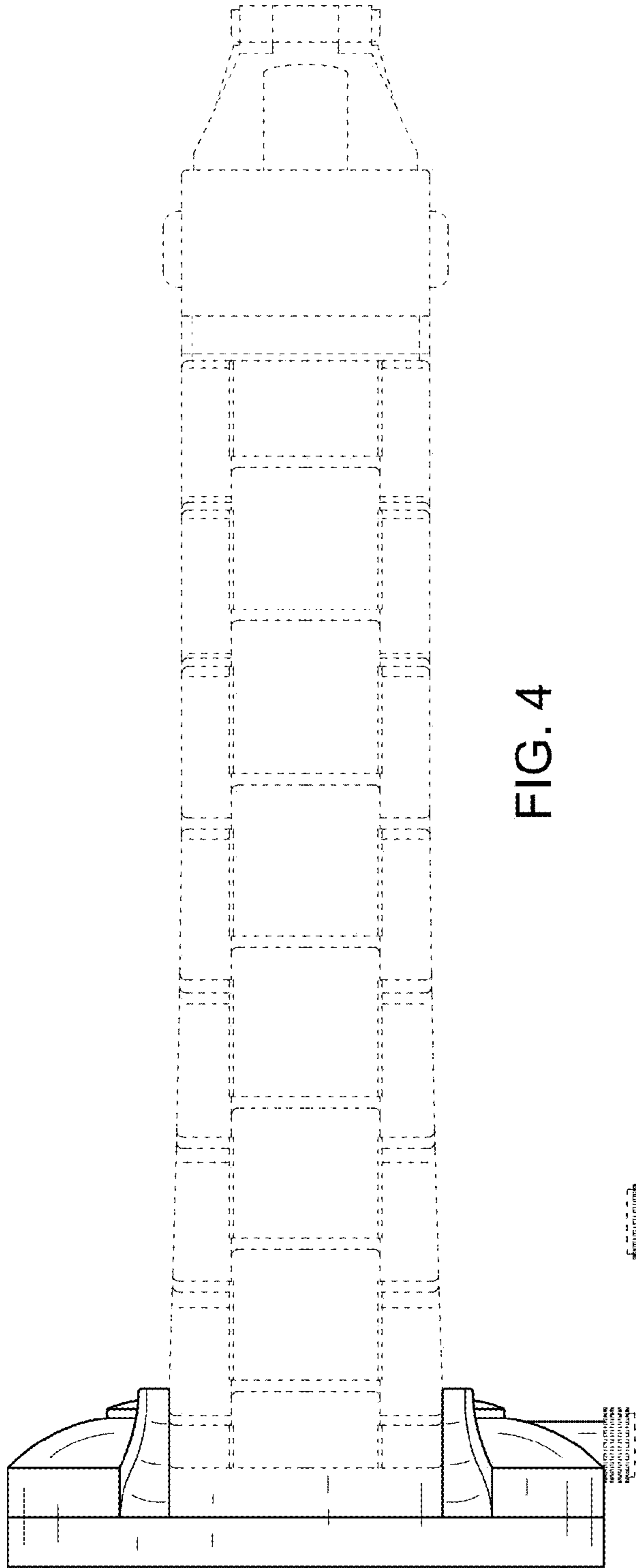


FIG. 4

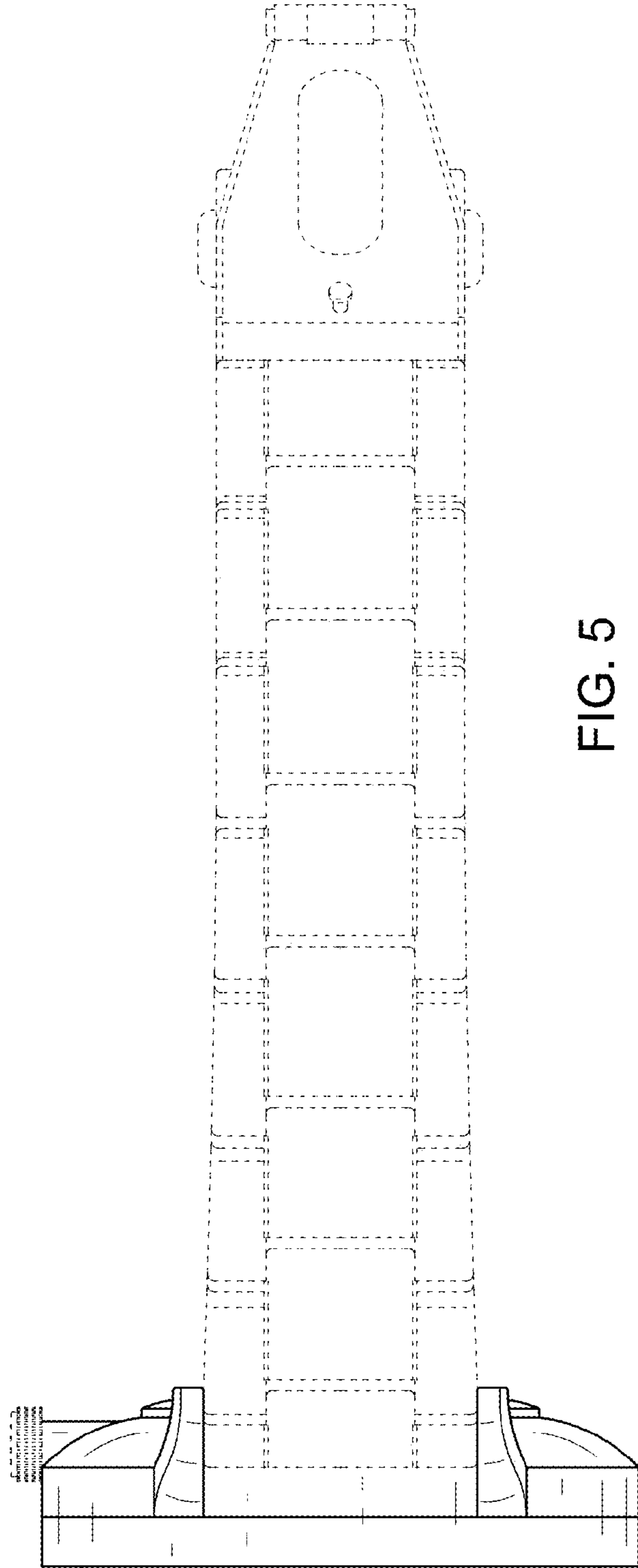


FIG. 5

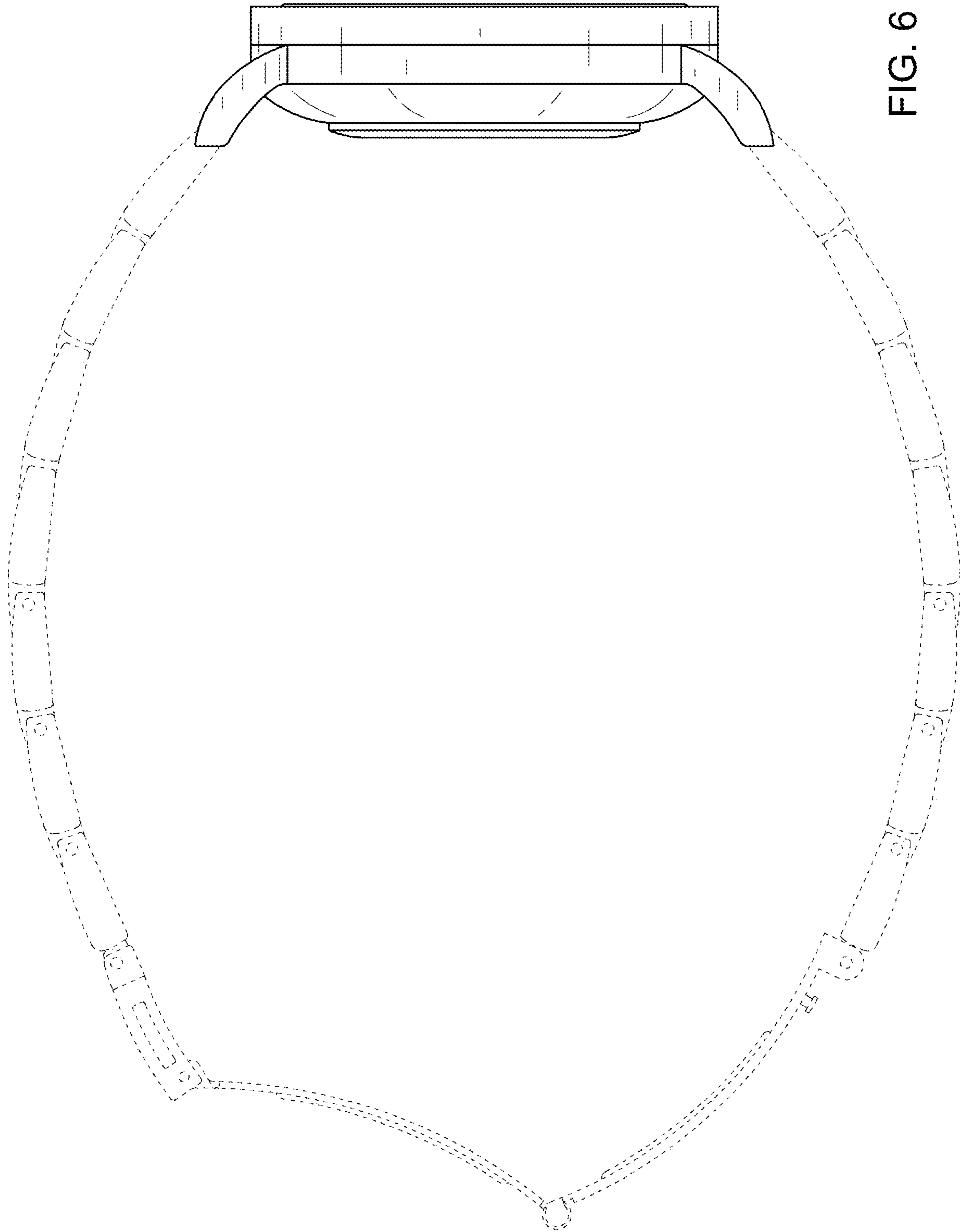


FIG. 6

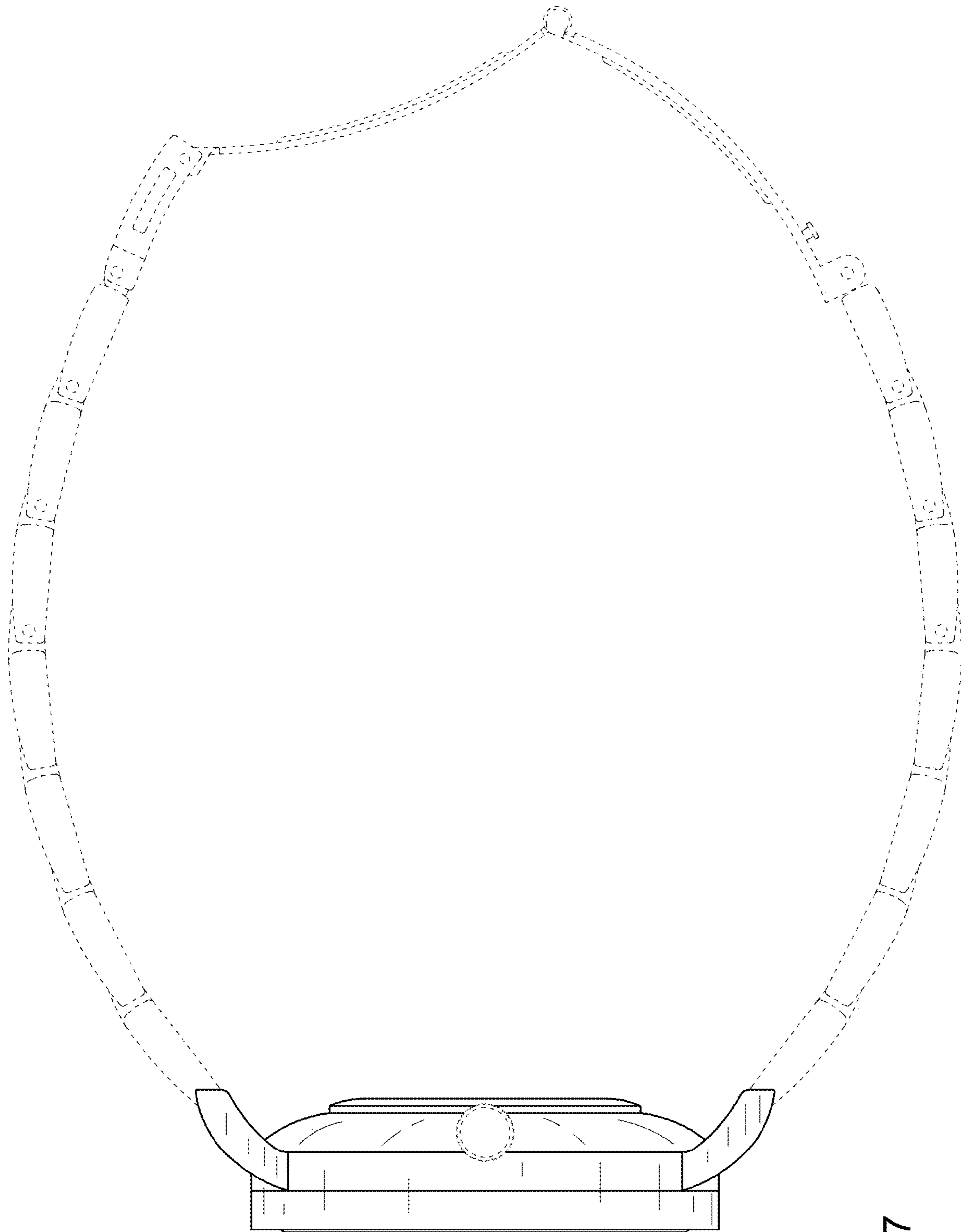


FIG. 7

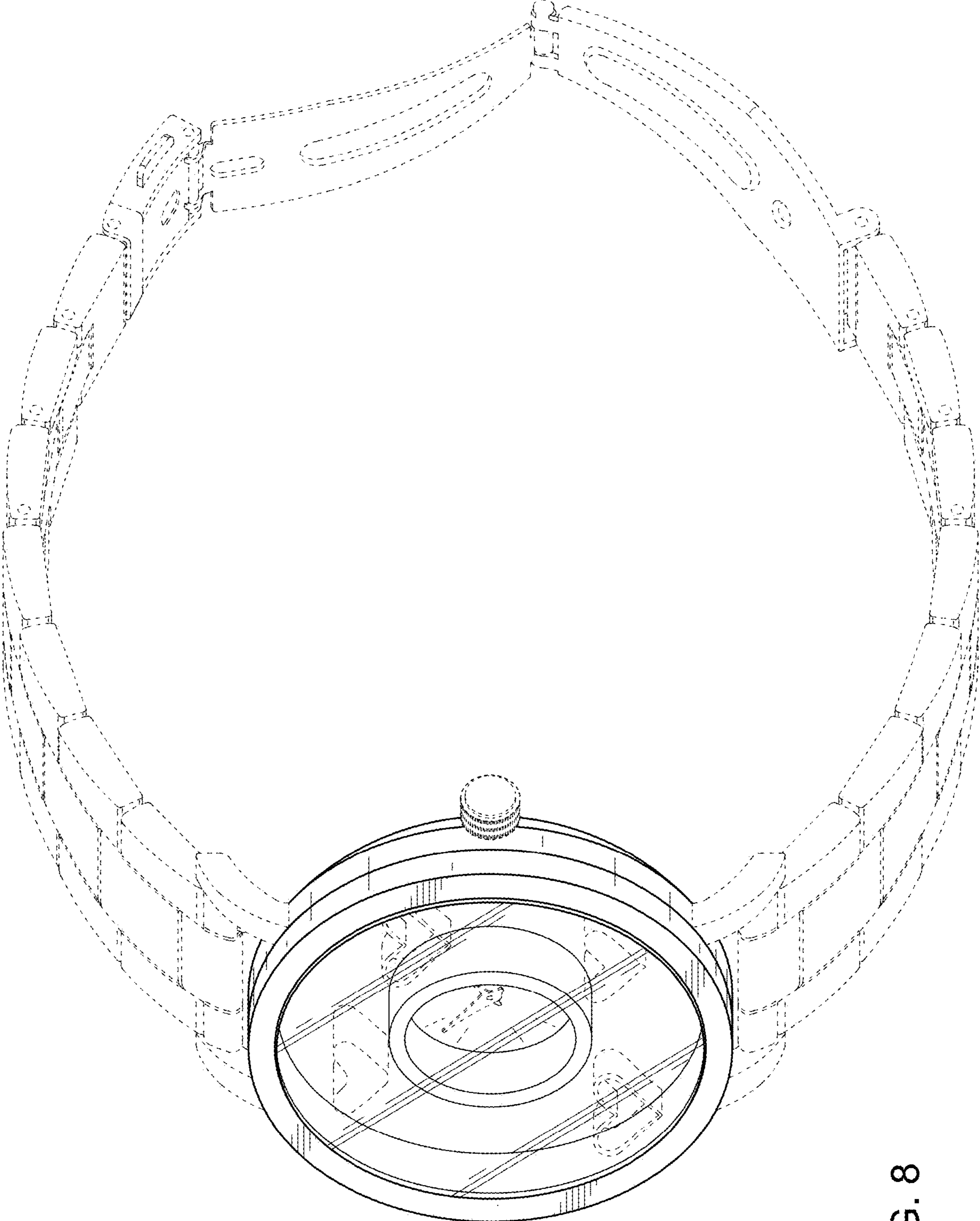


FIG. 8

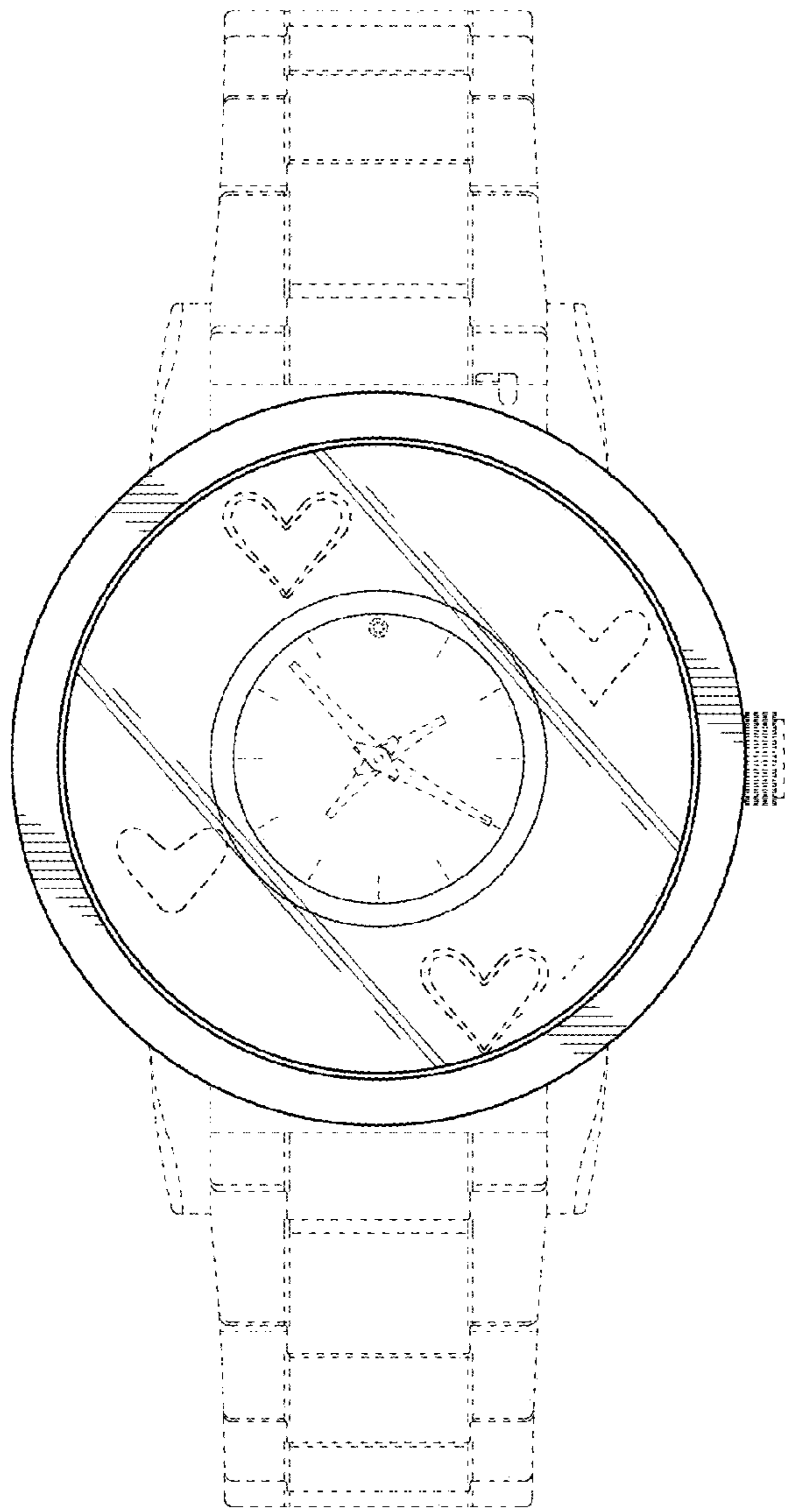


FIG. 9

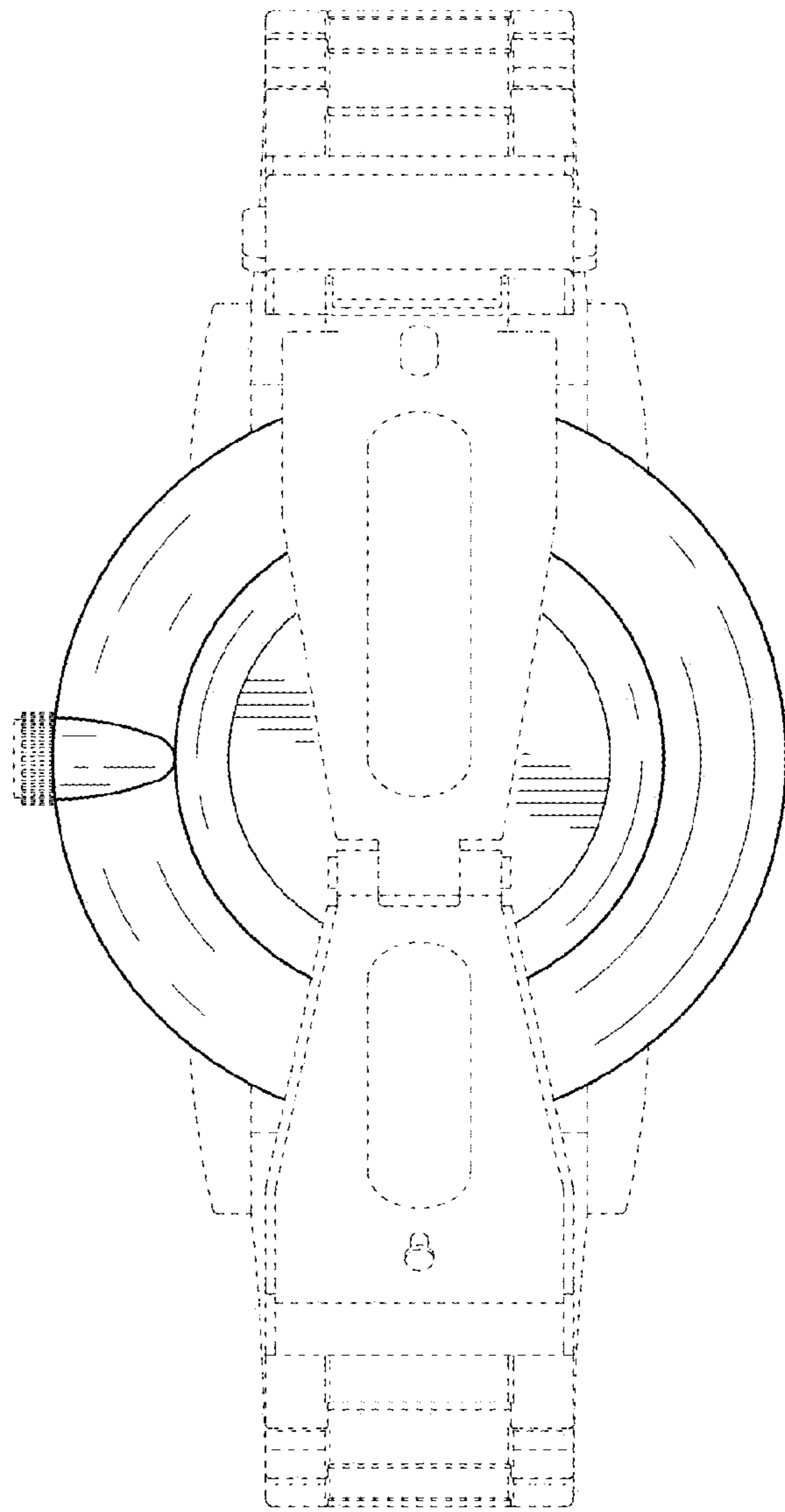


FIG. 10

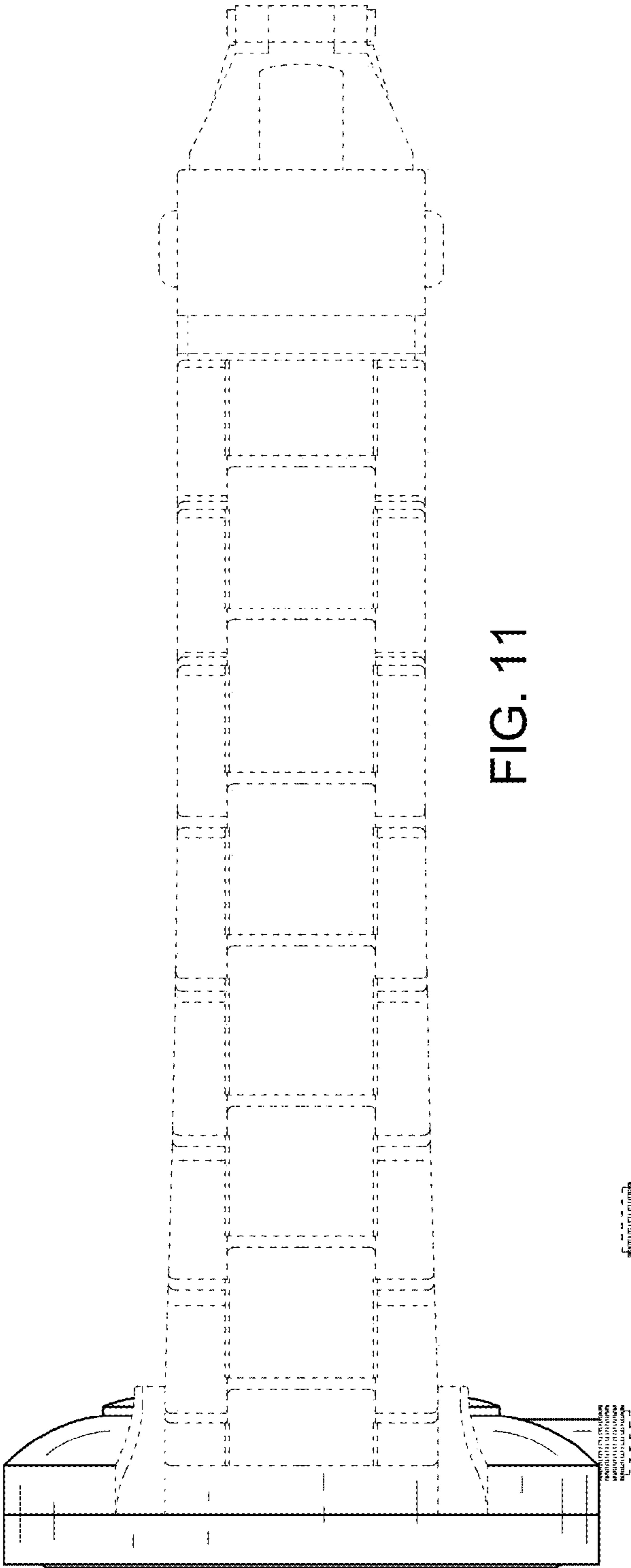


FIG. 11

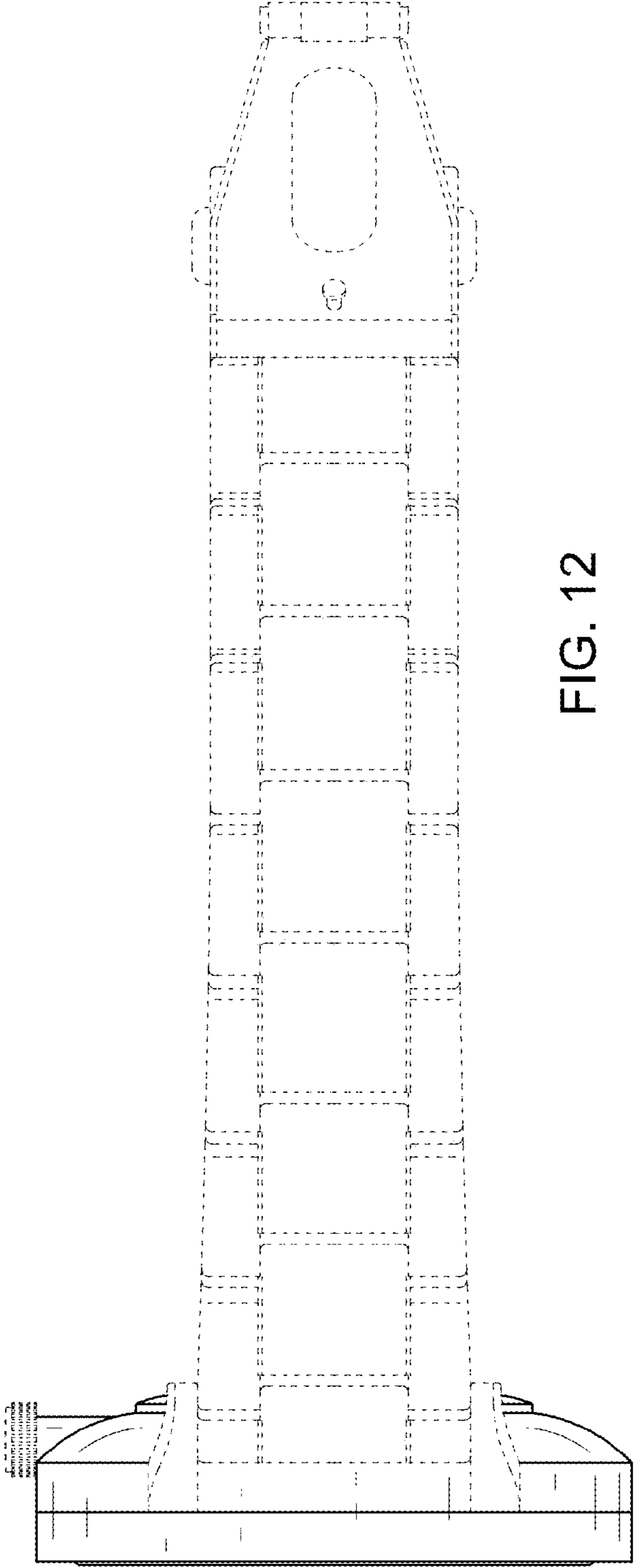


FIG. 12

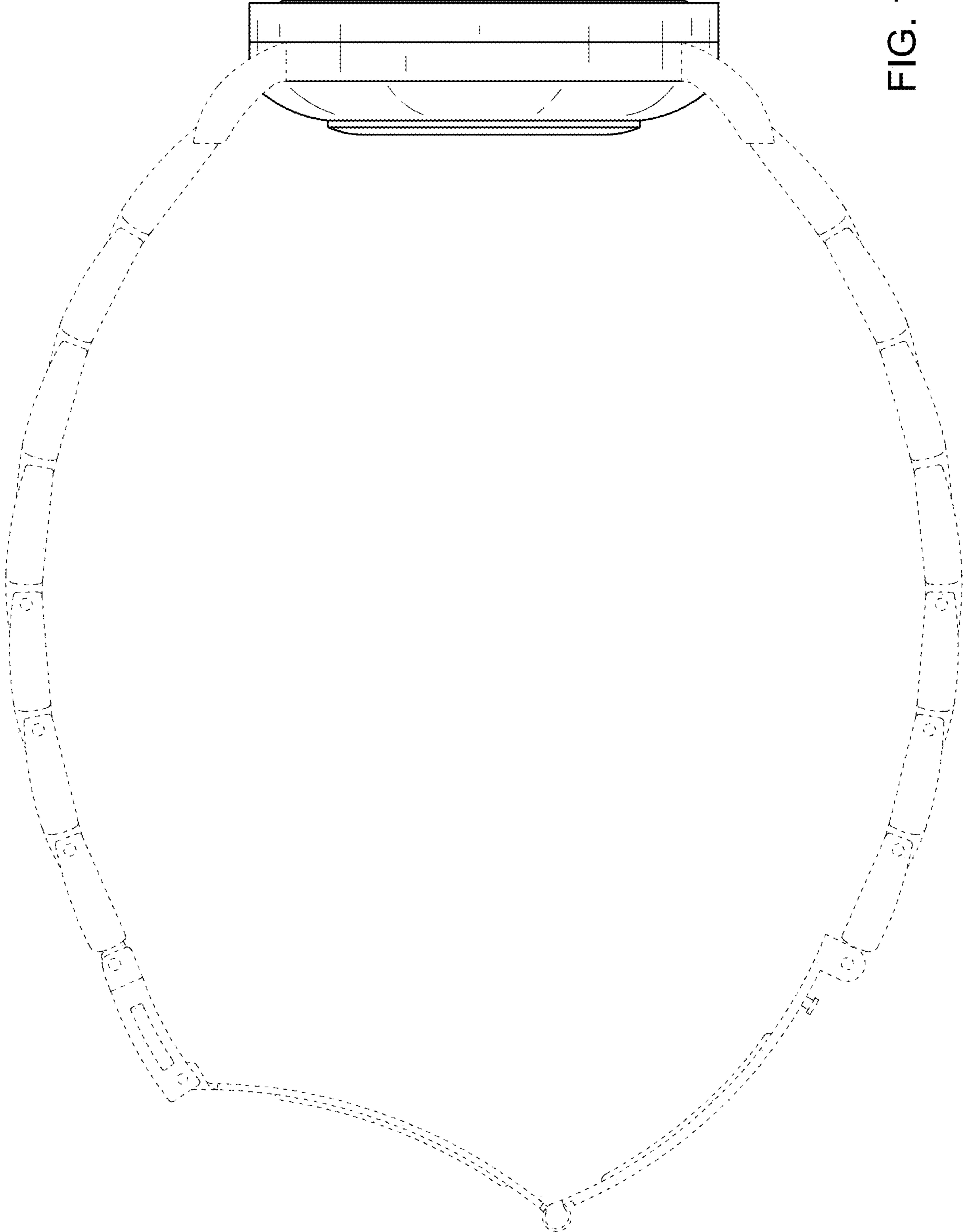


FIG. 13

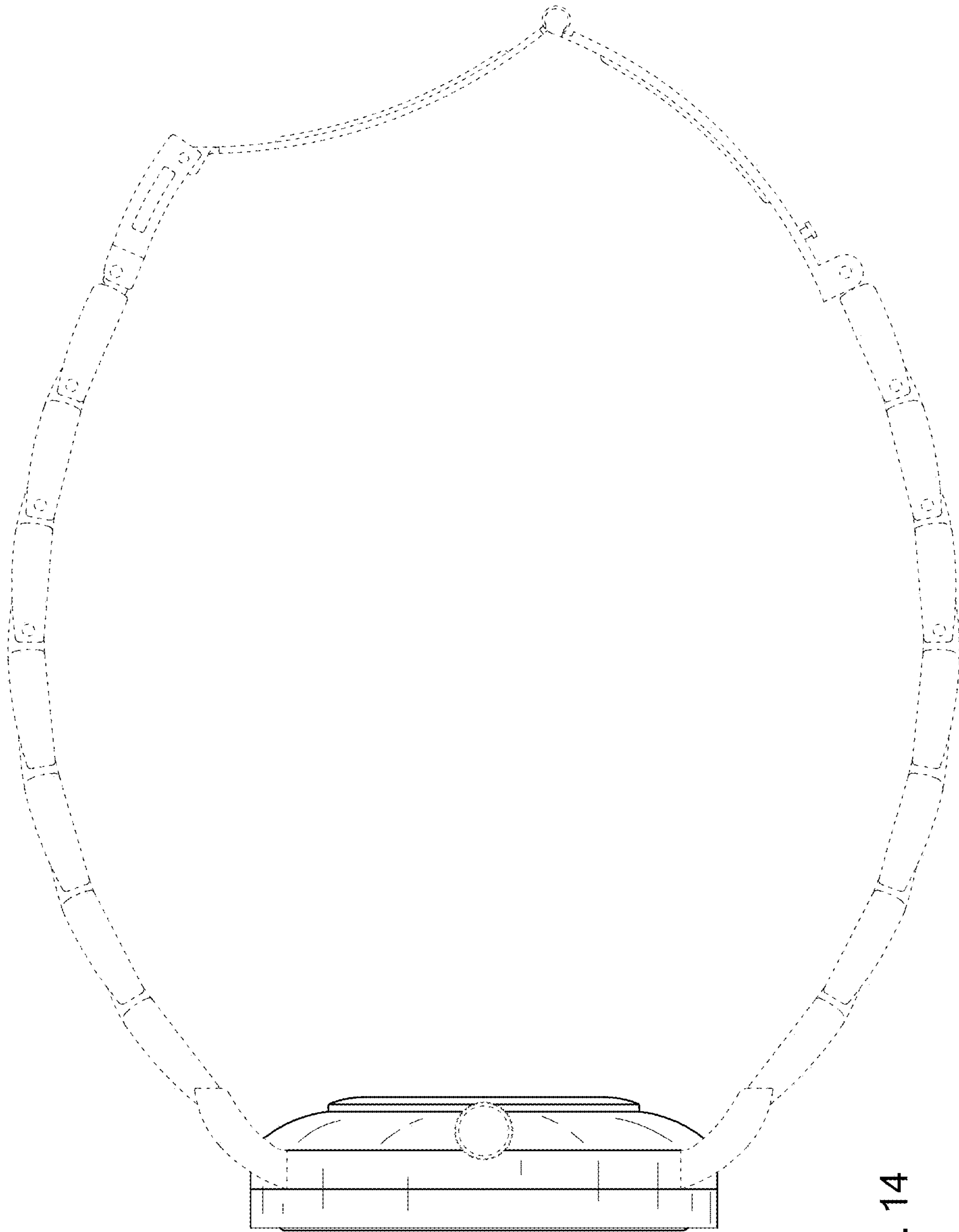


FIG. 14

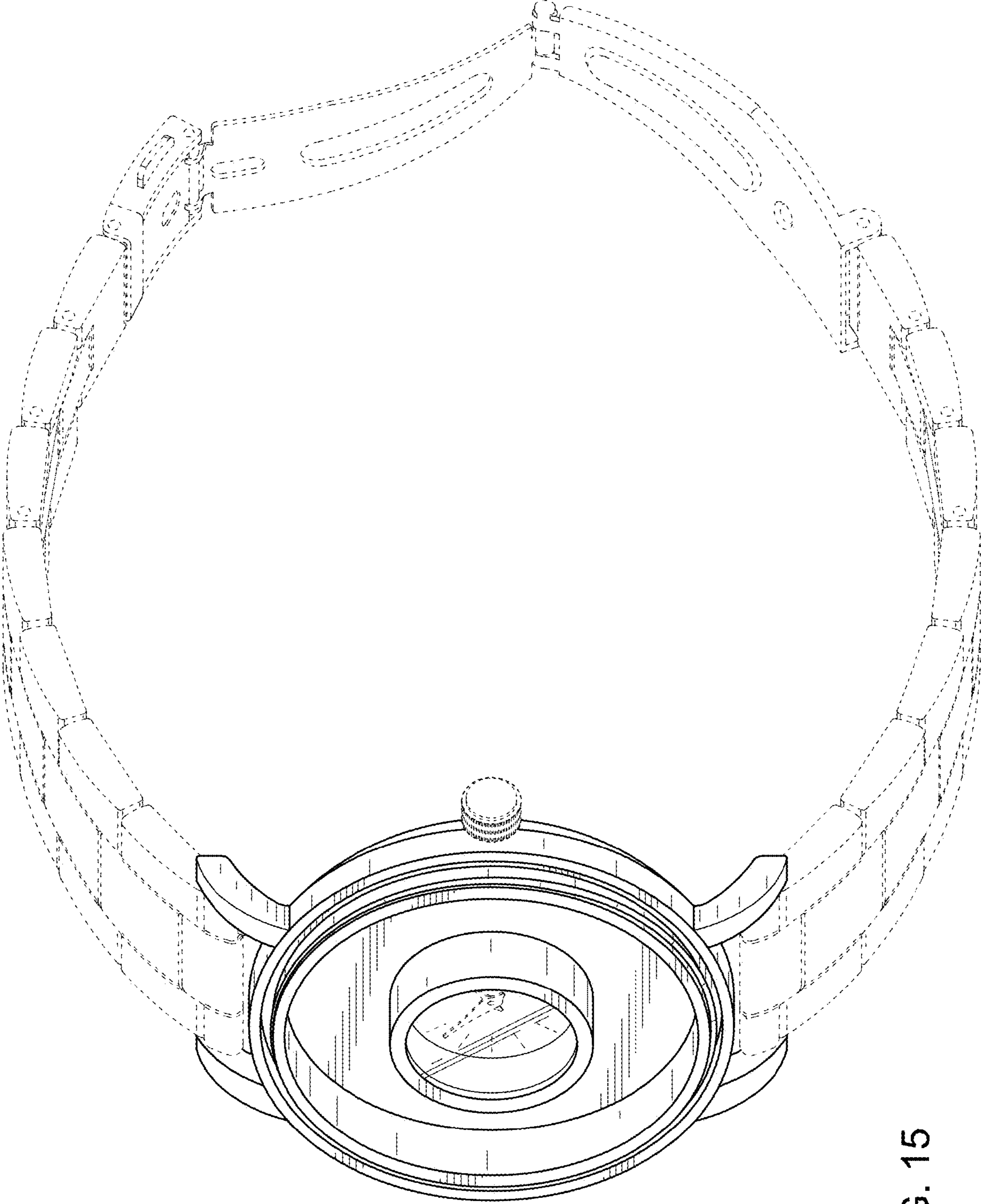


FIG. 15

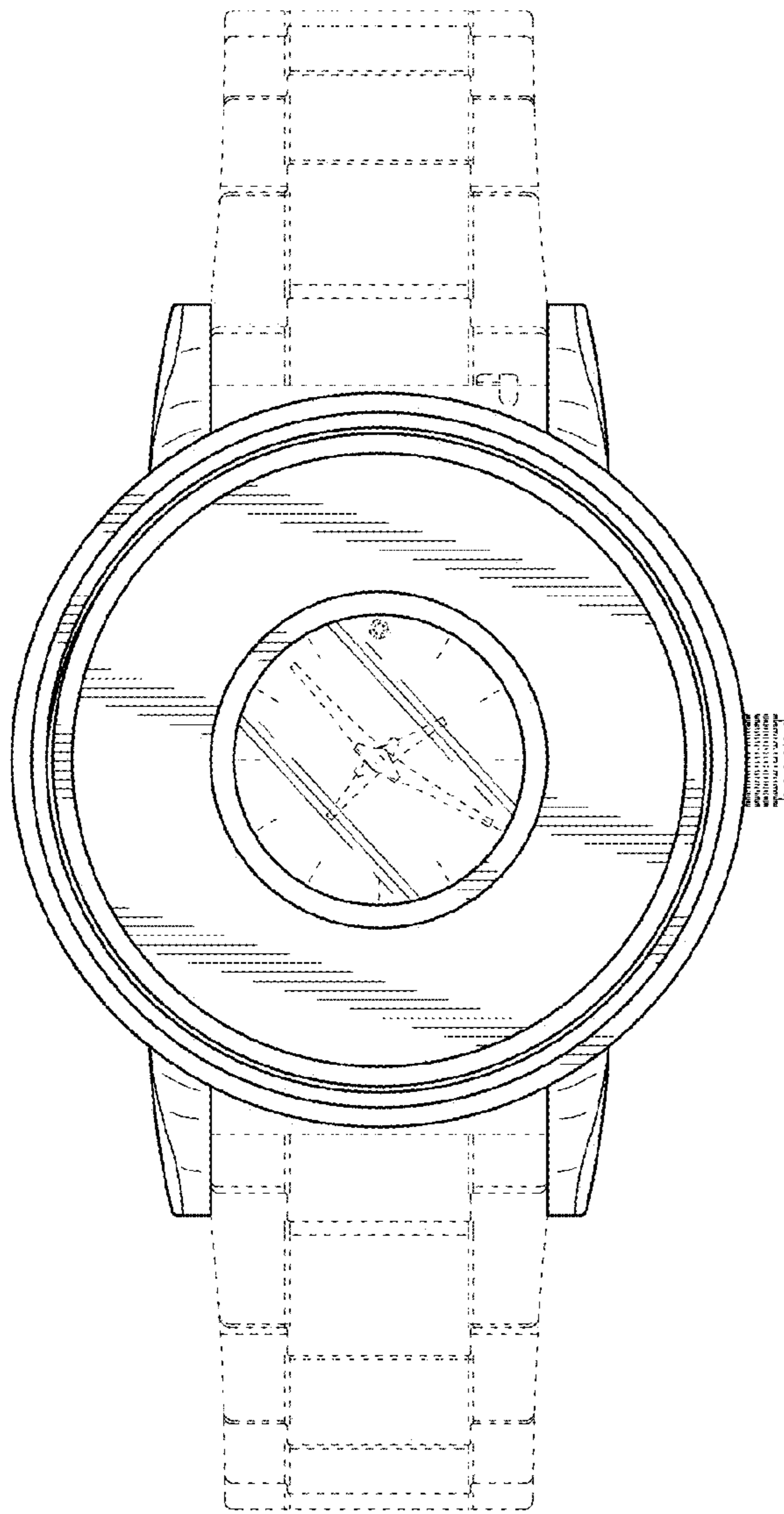


FIG. 16

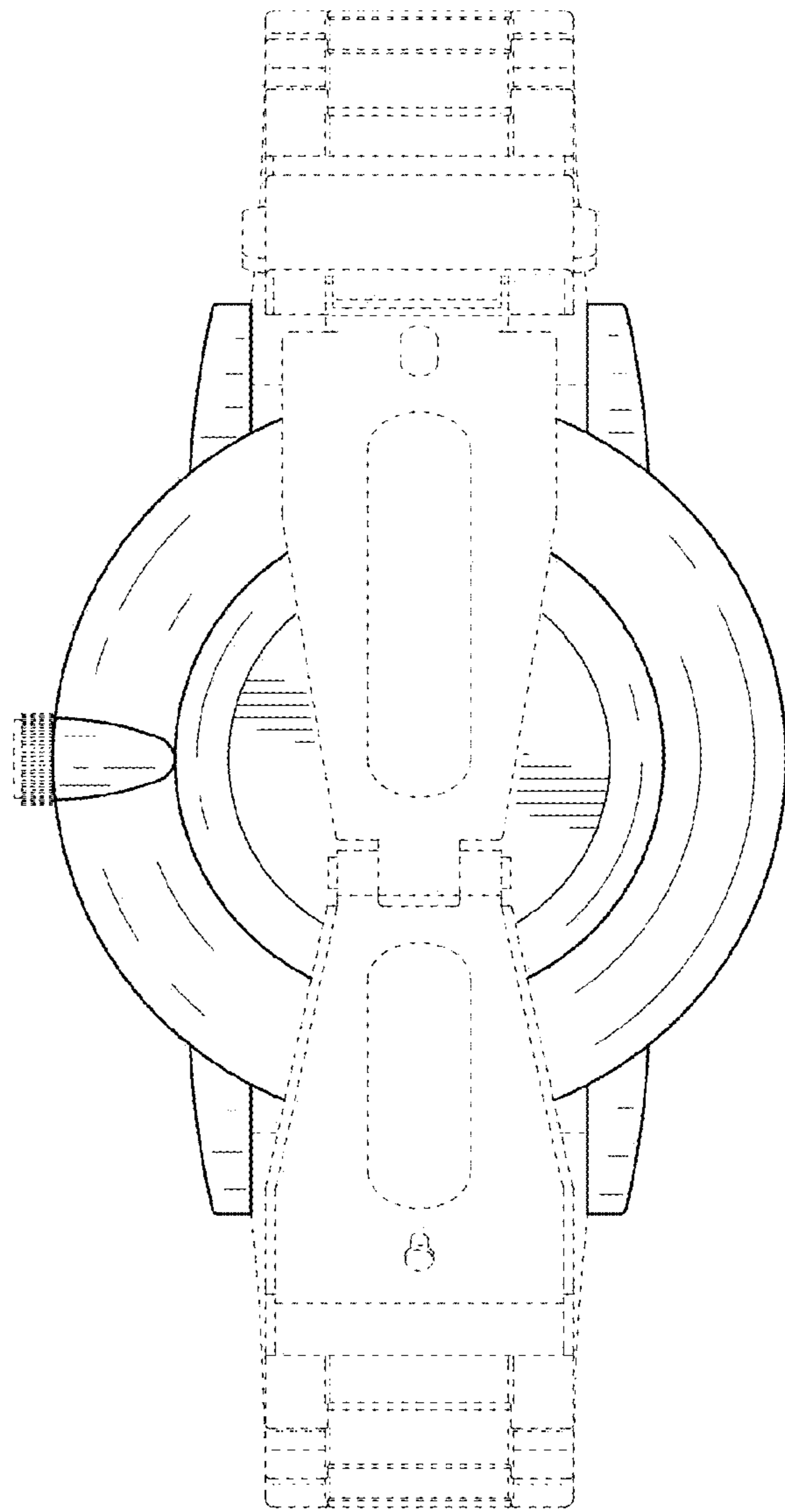
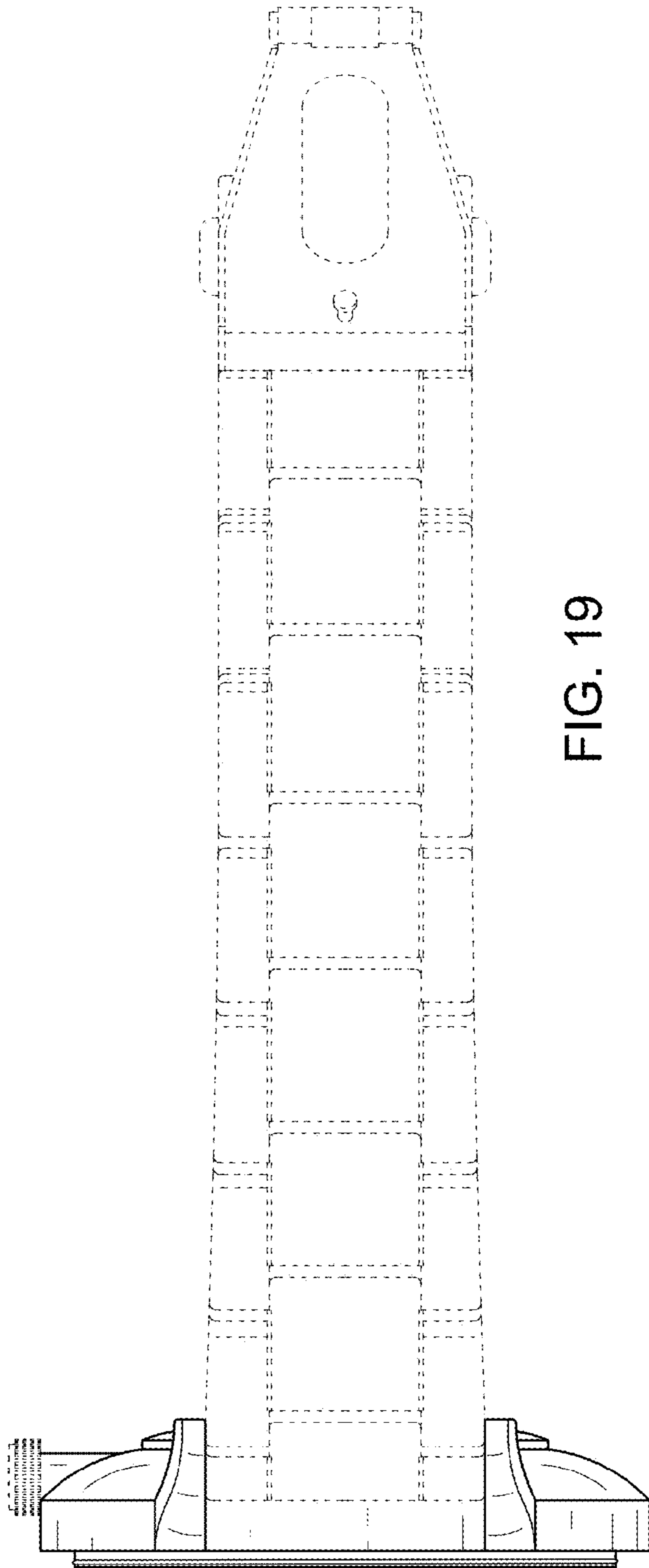
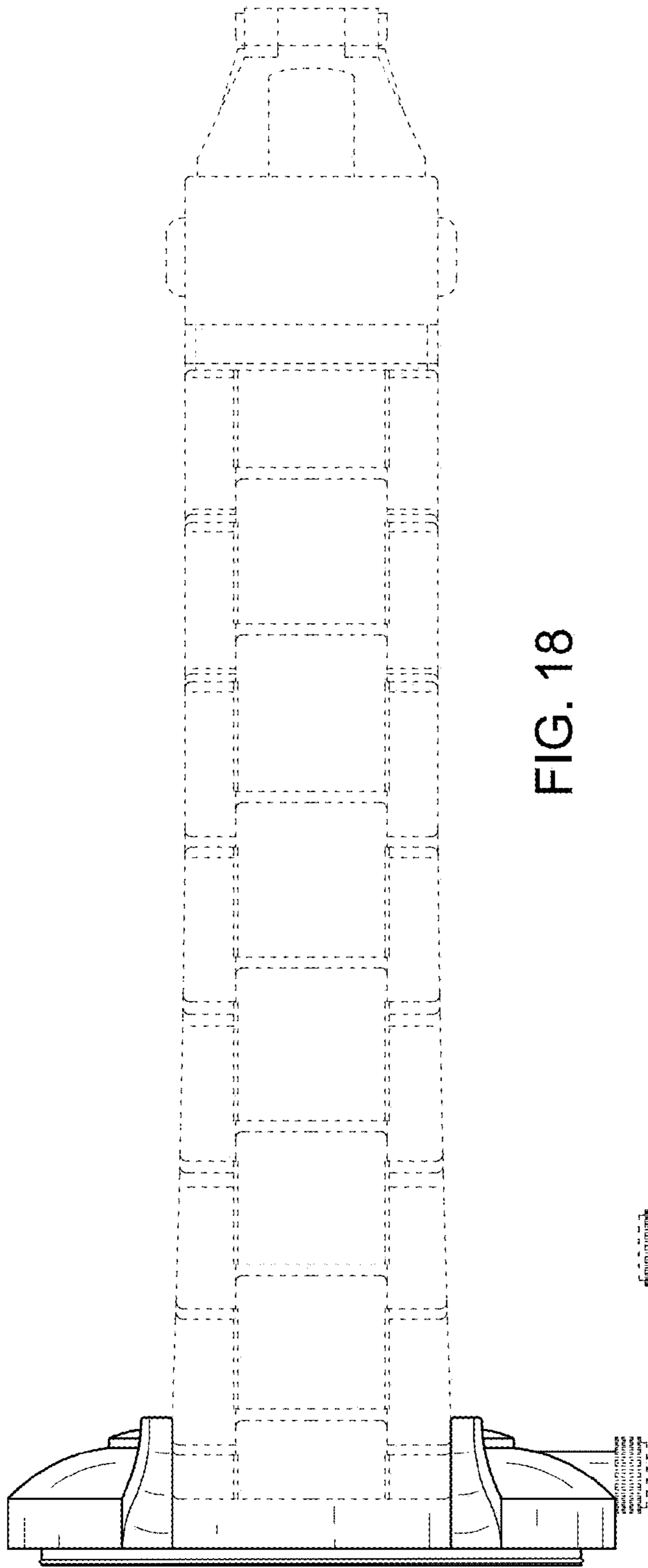


FIG. 17



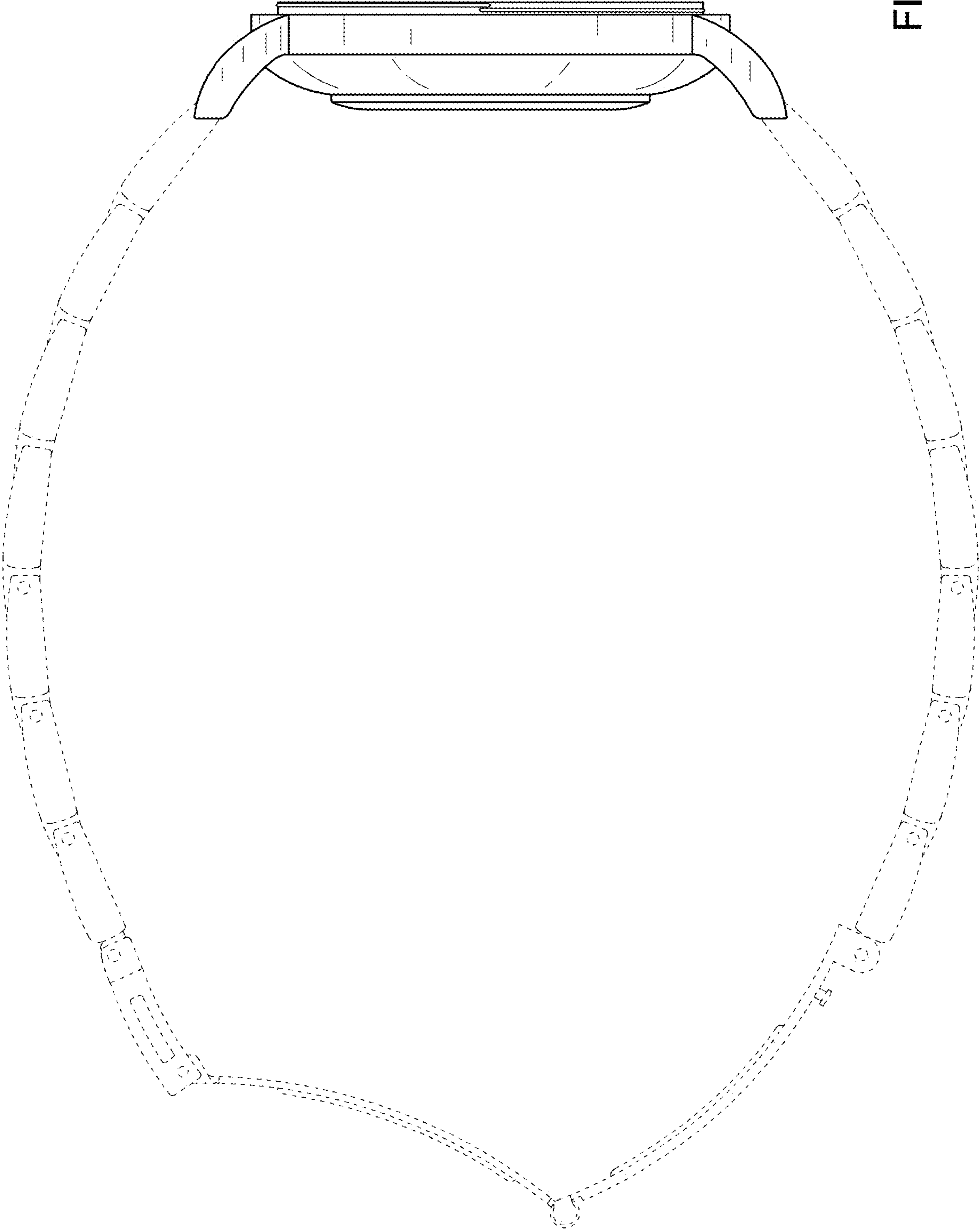


FIG. 20

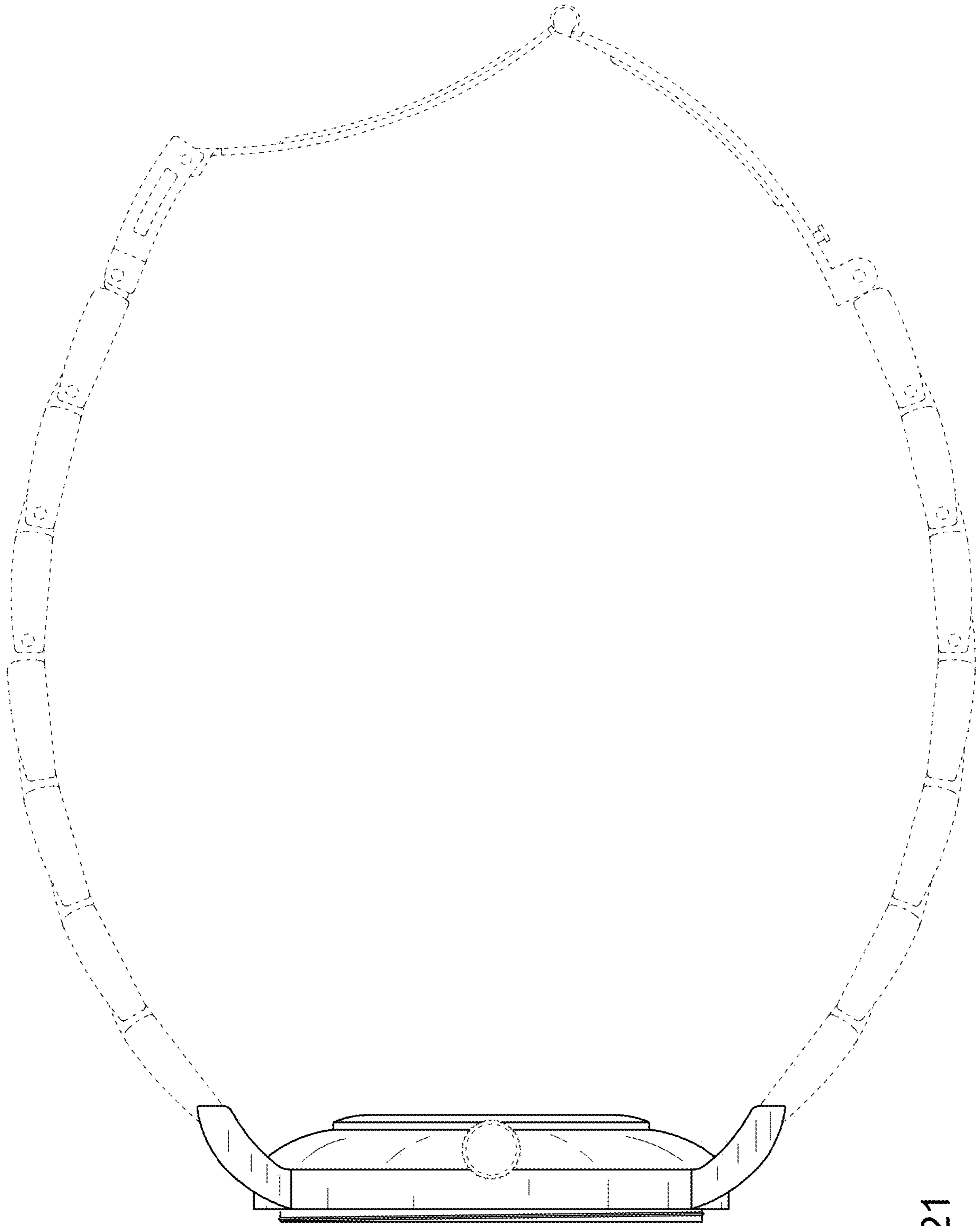


FIG. 21

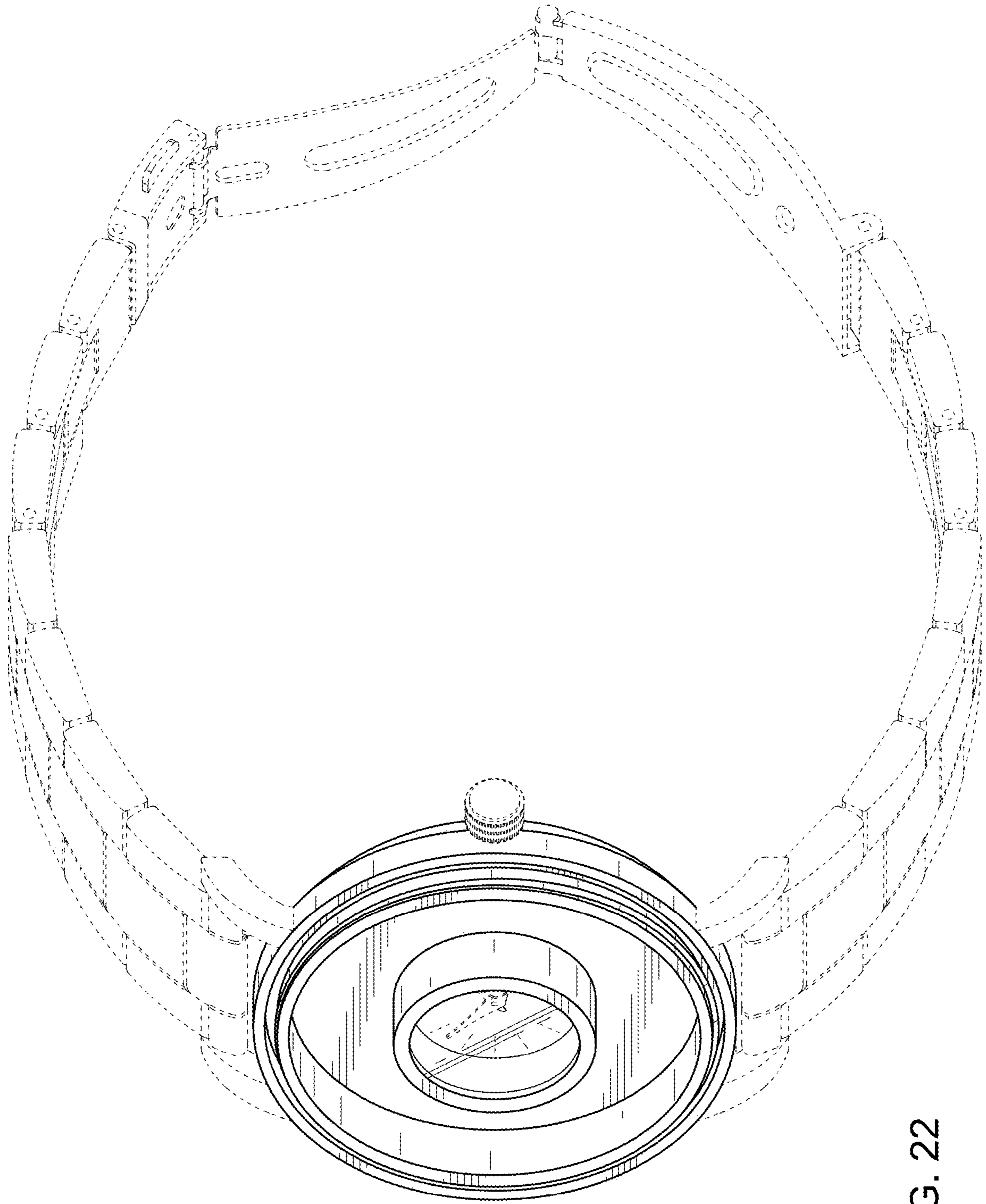


FIG. 22

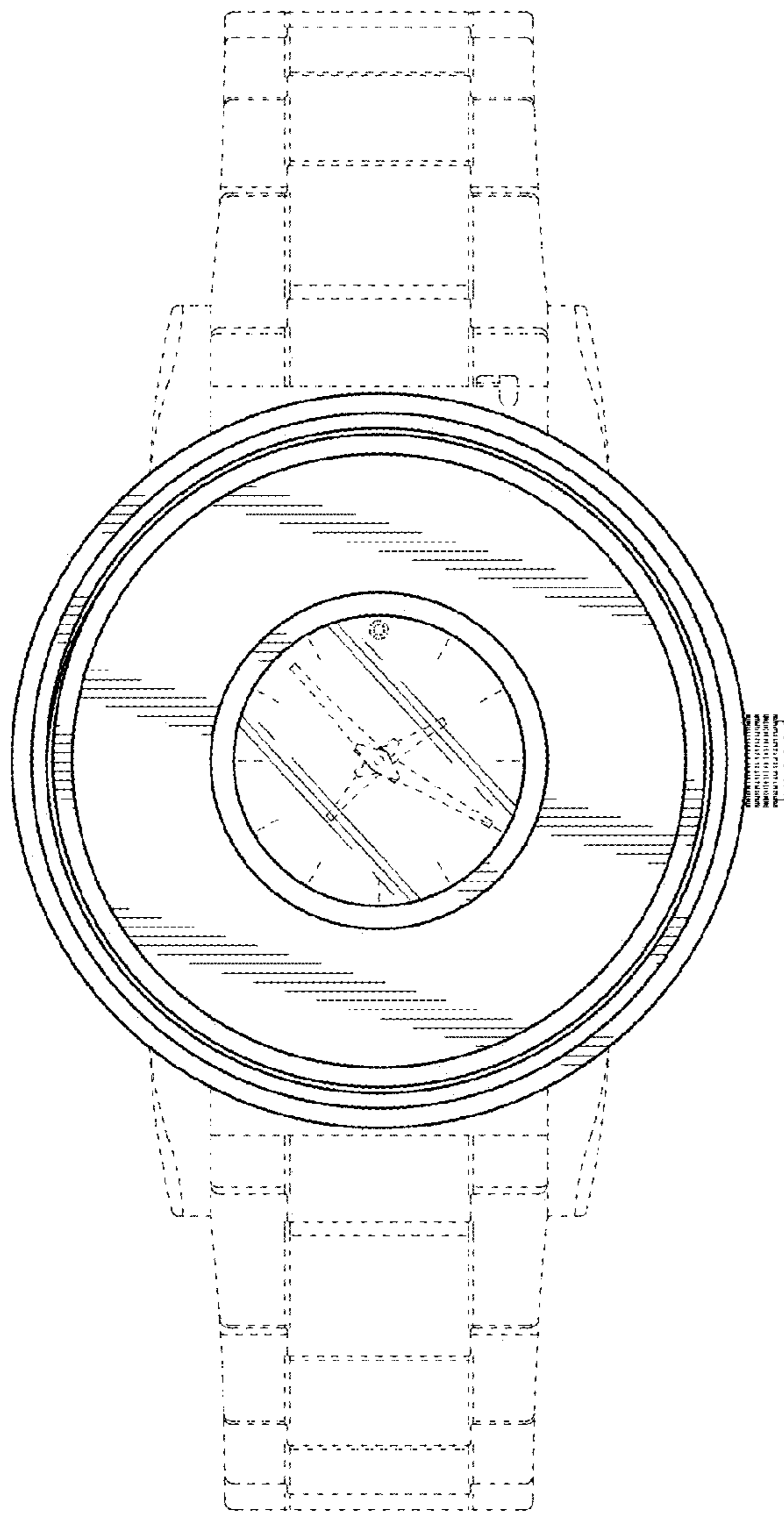


FIG. 23

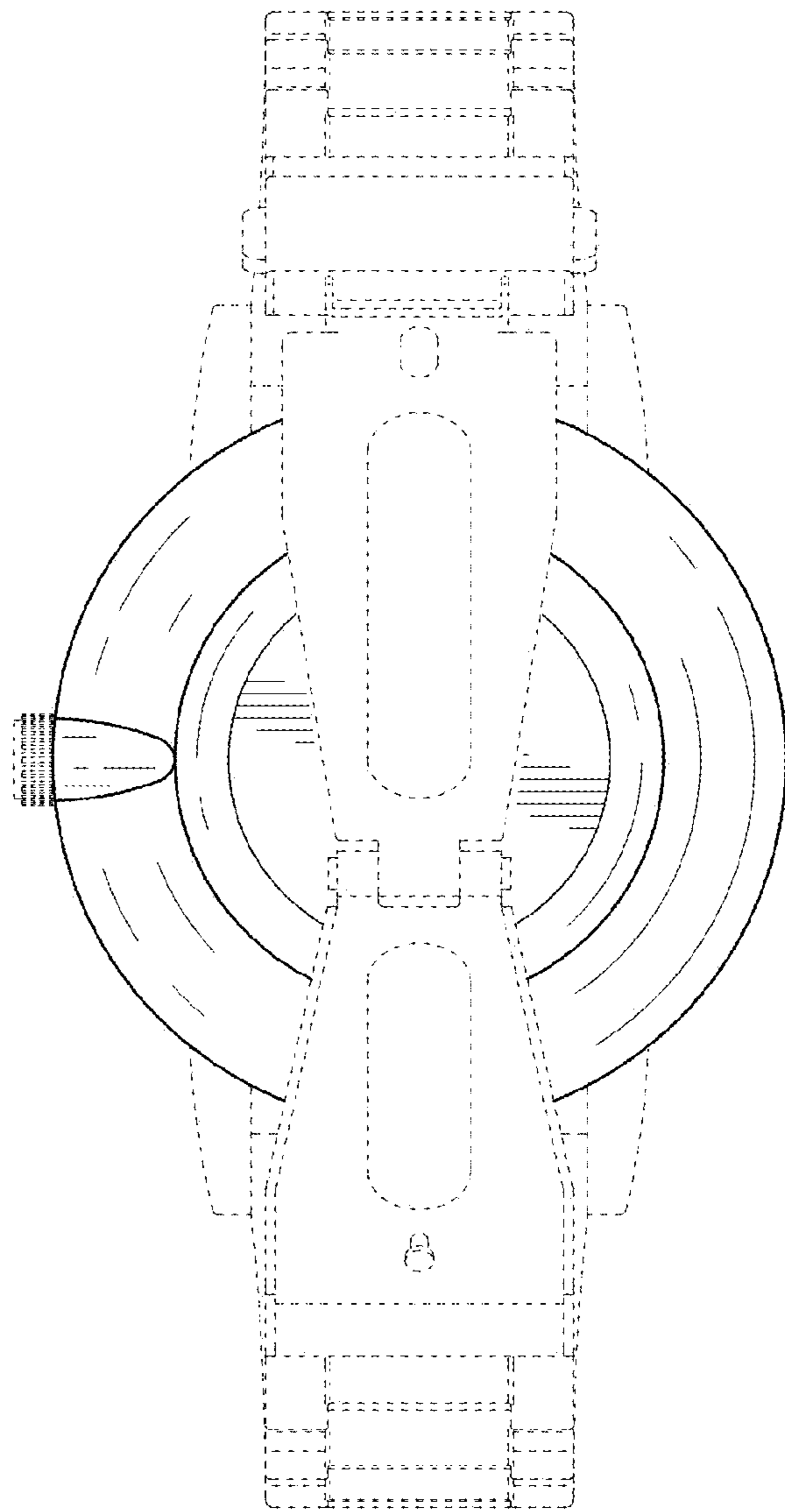


FIG. 24

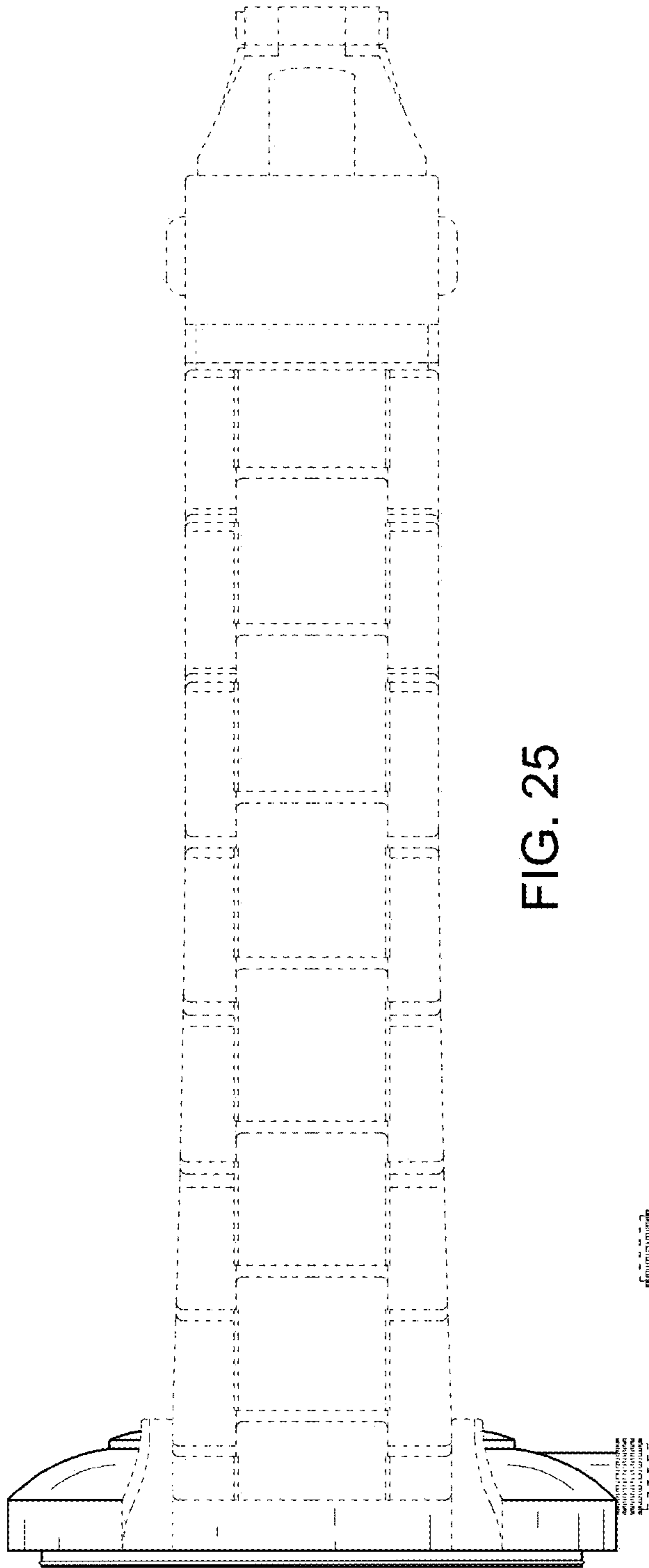


FIG. 25

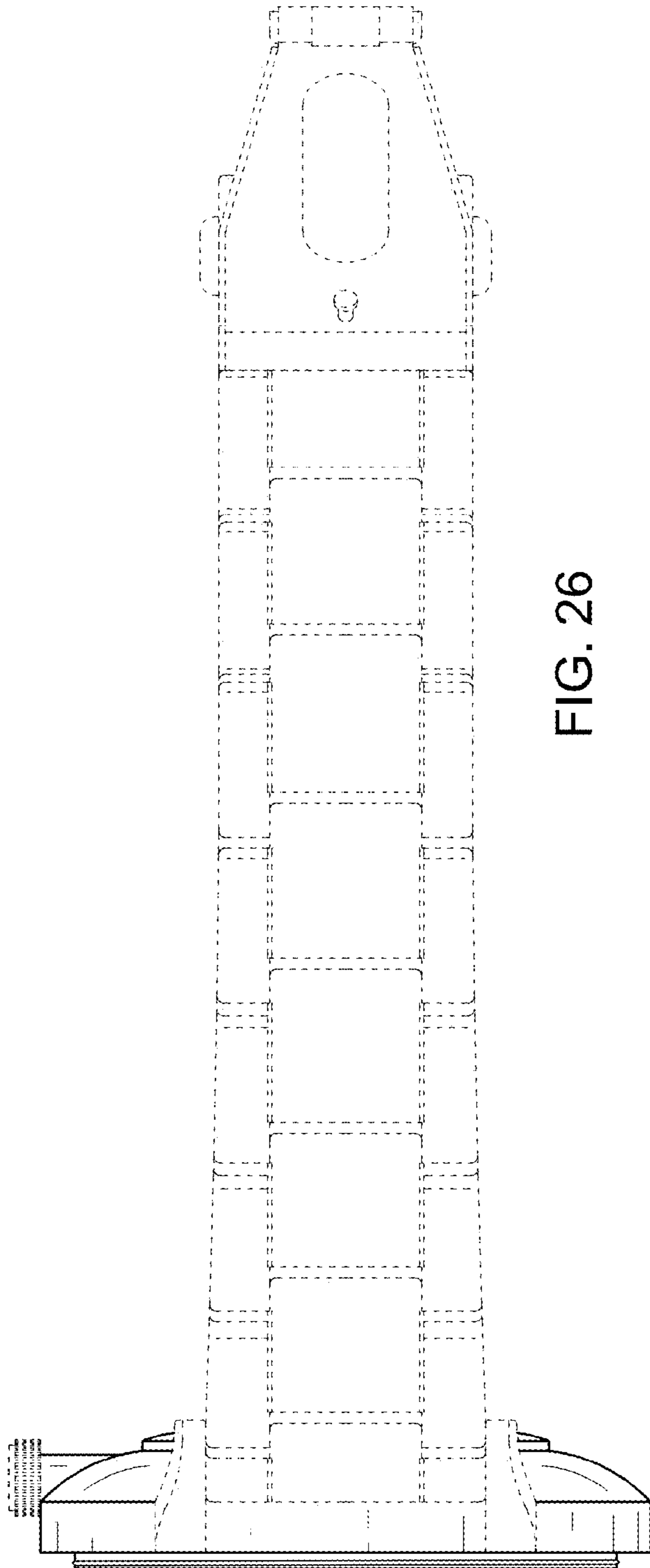


FIG. 26

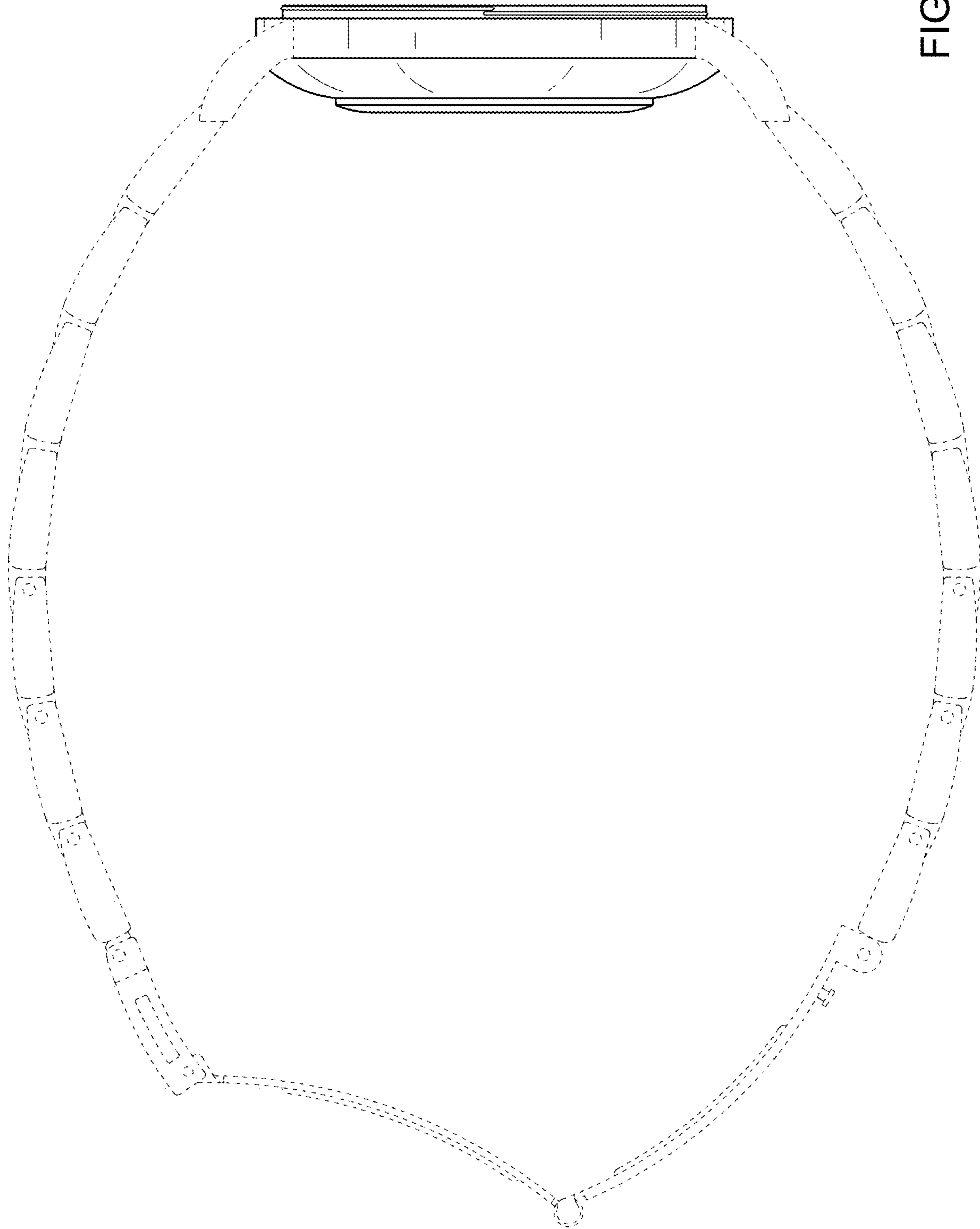


FIG. 27

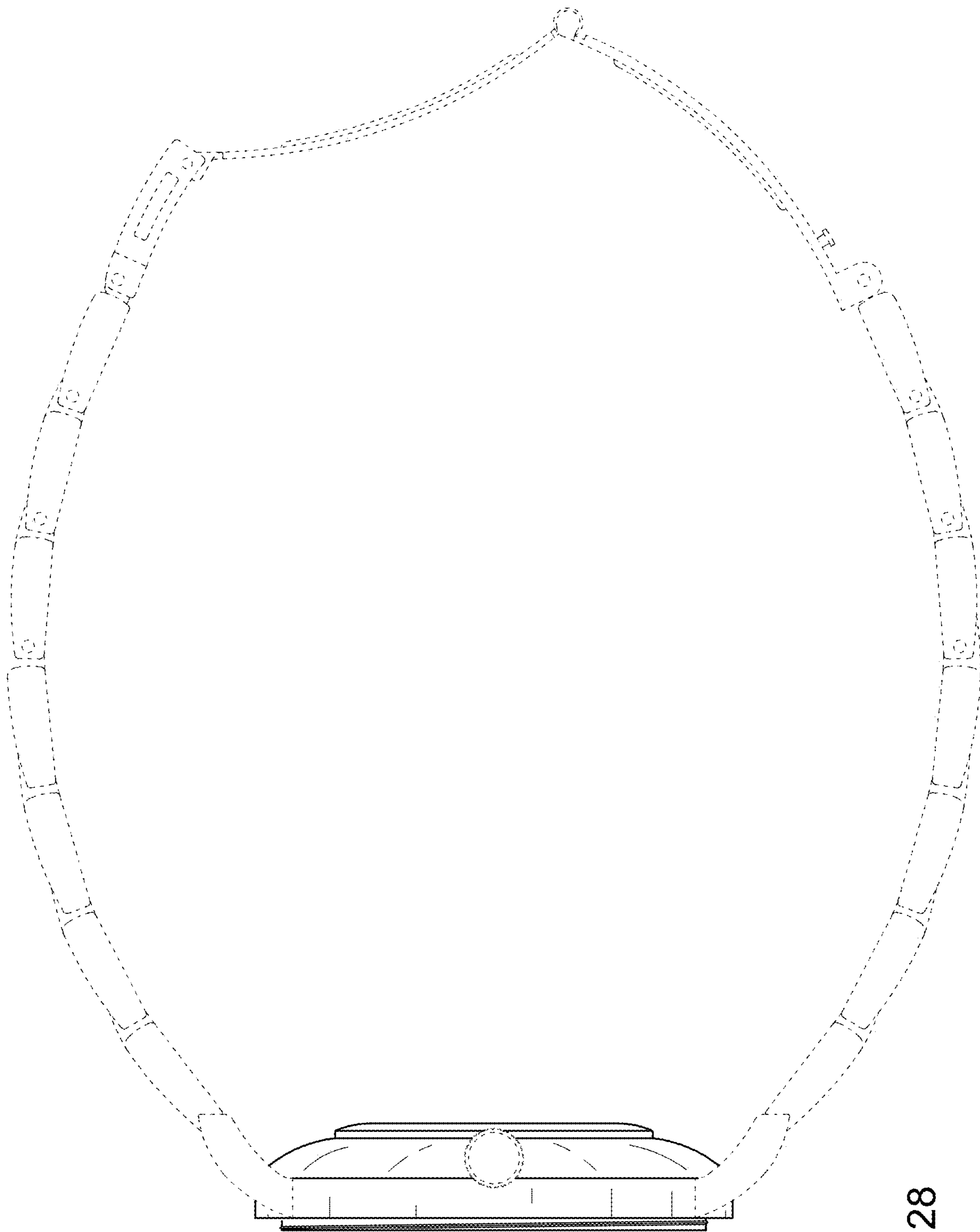


FIG. 28