



US00D922209S

(12) **United States Design Patent**
Lehanneur

(10) **Patent No.:** **US D922,209 S**
(45) **Date of Patent:** **** Jun. 15, 2021**

(54) **APPLICATOR CARTRIDGE FOR COSMETIC PRODUCTS**

(71) Applicant: **INDERM**, Paris (FR)
(72) Inventor: **Mathieu Lehanneur**, Paris (FR)
(**) Term: **15 Years**
(21) Appl. No.: **35/509,038**
(22) Filed: **Mar. 11, 2020**

(80) **Hague Agreement Data**

Int. Filing Date: **Mar. 11, 2020**
Int. Reg. No.: **DM/206856**
Int. Reg. Date: **Mar. 11, 2020**
Int. Reg. Pub. Date: **Apr. 10, 2020**

(51) **LOC (13) Cl.** **09-01**

(52) **U.S. Cl.**
USPC **D9/726**

(58) **Field of Classification Search**
USPC D9/516, 529, 549, 550, 556, 558, 571,
D9/723-727; D28/7
CPC A45D 34/041; A45D 34/04; A45D 40/261;
B65D 35/36

See application file for complete search history.

(56) **References Cited**

U.S. PATENT DOCUMENTS

4,940,350	A *	7/1990	Kim	A45D 34/041 401/209
D876,241	S *	2/2020	Lim	D9/726
10,835,017	B2 *	11/2020	Quenessen	A45D 40/24
2004/0005186	A1 *	1/2004	Ueda	B65D 41/26 401/194
2004/0018039	A1 *	1/2004	Richard	A61K 8/24 401/215
2013/0251440	A1 *	9/2013	Young	A45D 34/041 401/213
2020/0205547	A1 *	7/2020	Cheng	A45D 40/261
2021/0054562	A1 *	2/2021	Roper	D06L 4/75

* cited by examiner

Primary Examiner — Michael A. Pratt

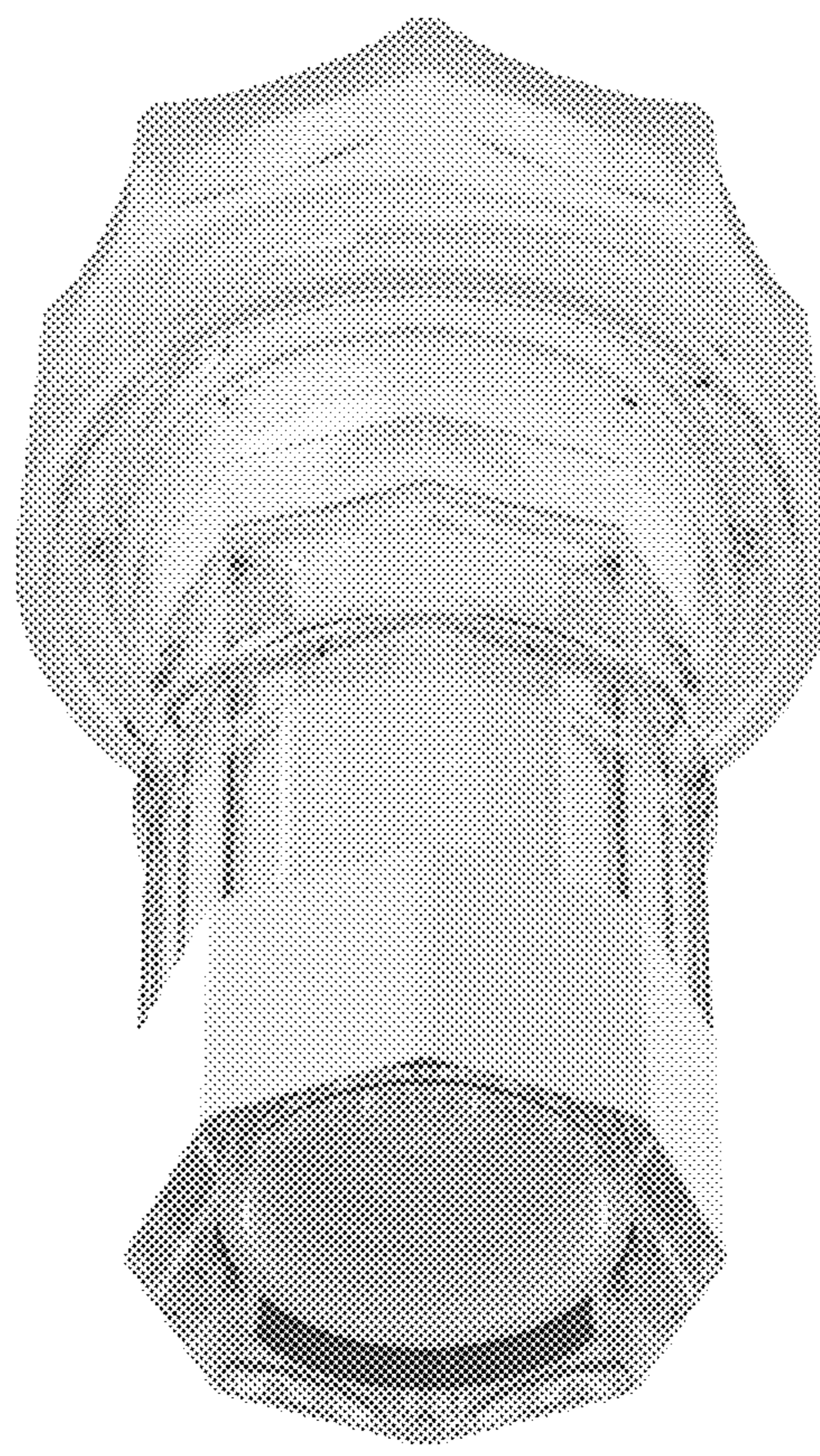
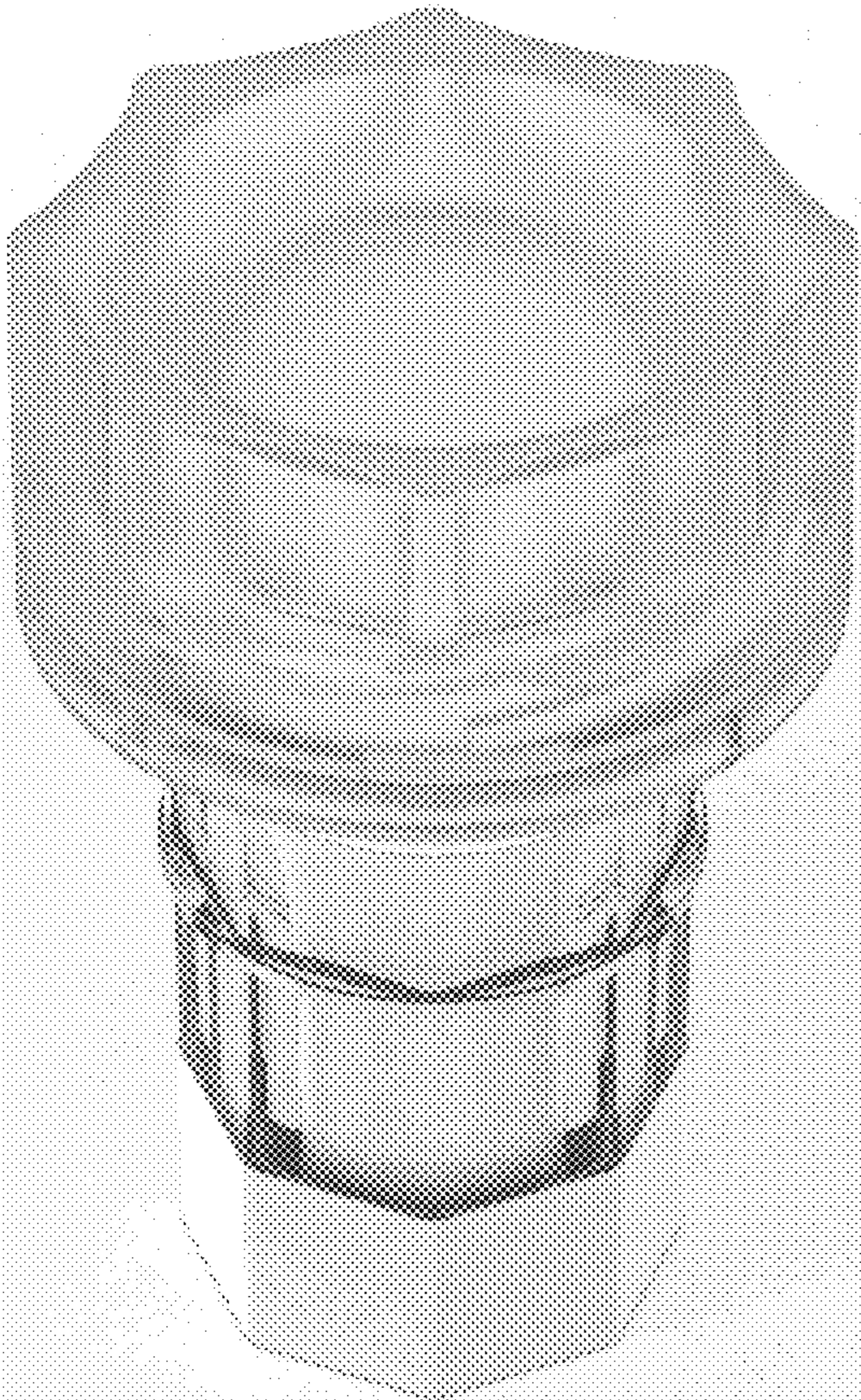
(57) **CLAIM**

The ornamental design for applicator cartridge for cosmetic products, as shown and described.

DESCRIPTION

1. Applicator cartridge for cosmetic products
 - 1.1: Side
 - 1.2: Top
 - 1.3: Top Perspective
 - 1.4: Bottom Perspective
 - 1.5: Perspective, the cap removed to show details not otherwise discernable from the drawings.

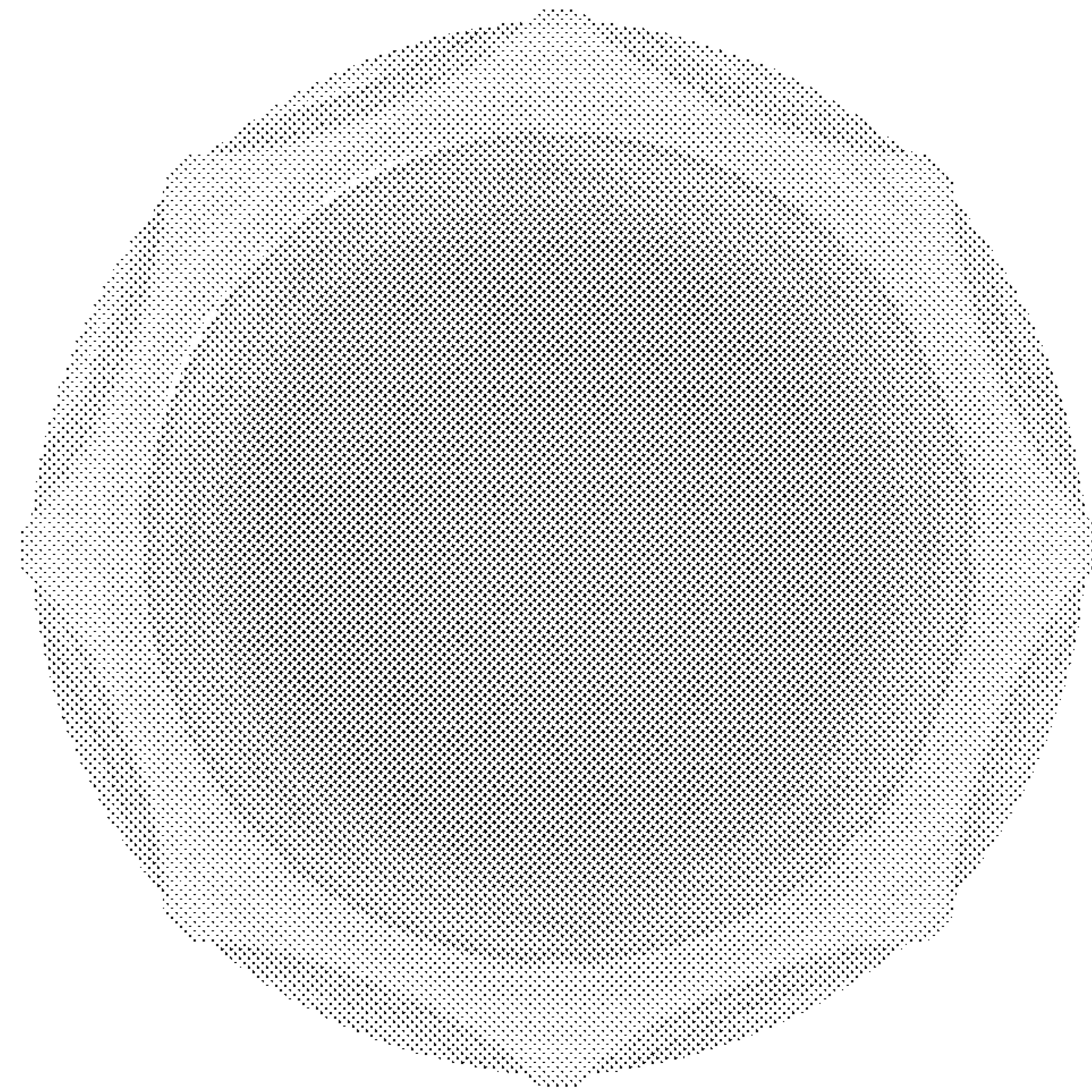
1 Claim, 5 Drawing Sheets



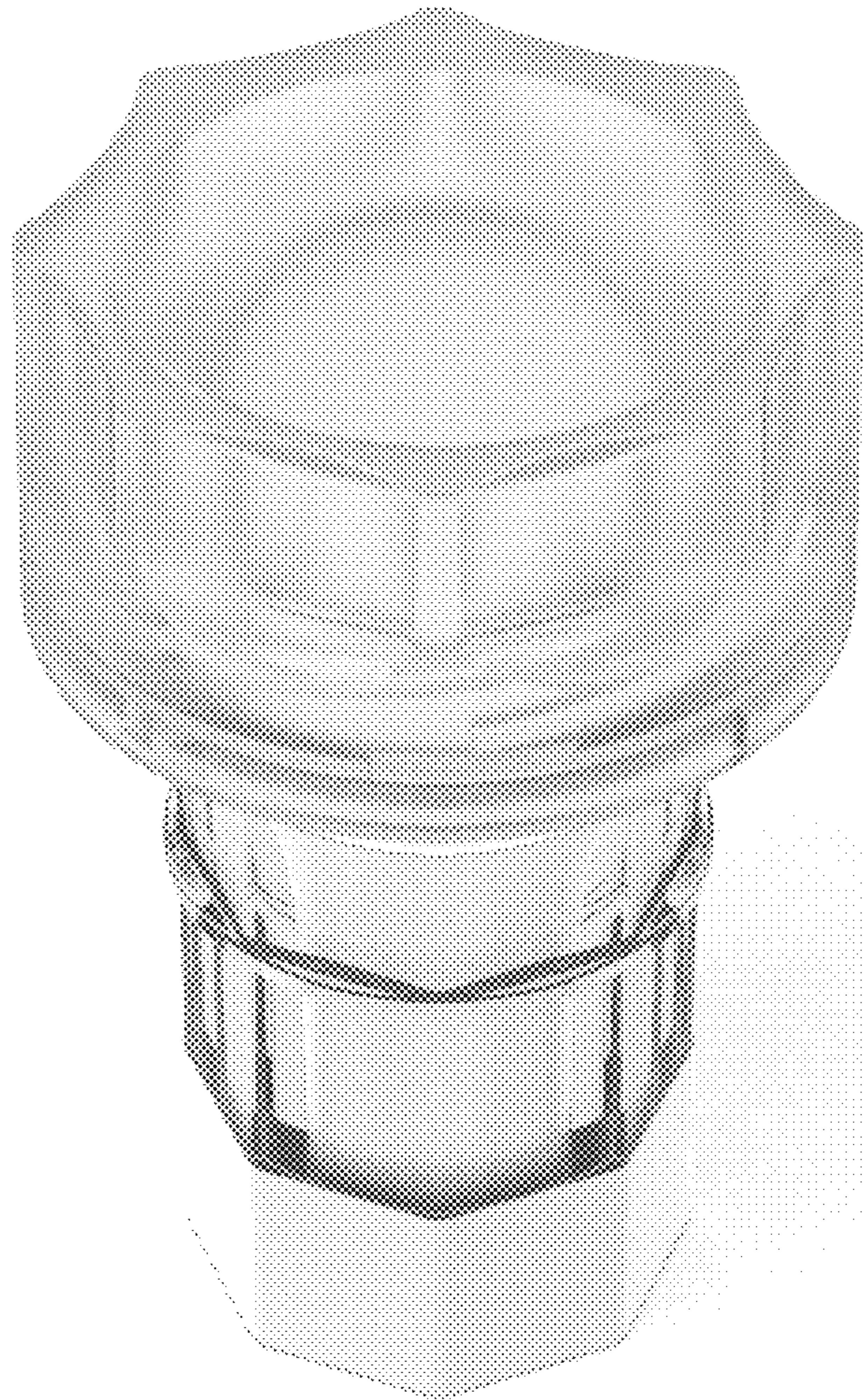
1.1



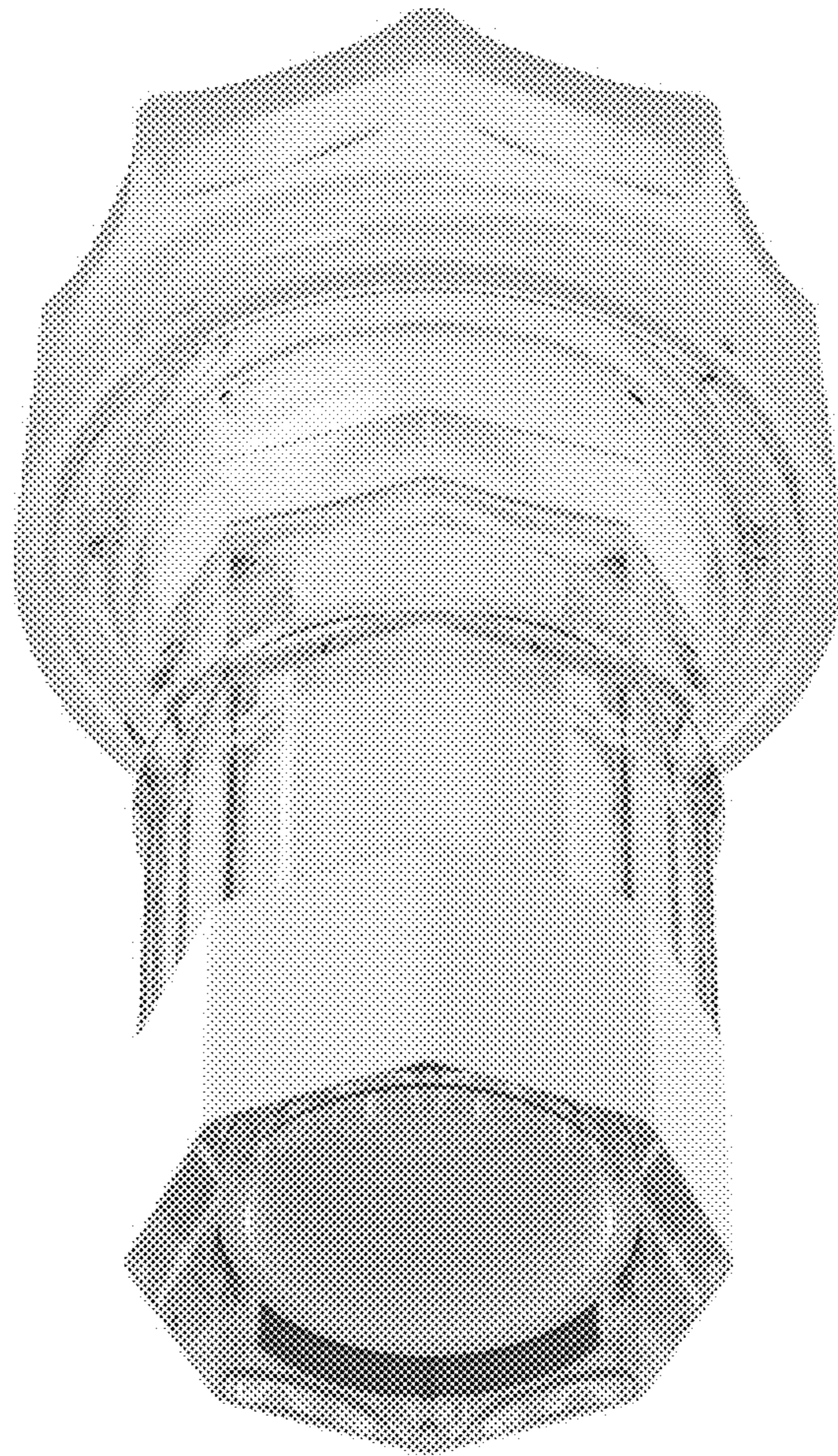
1.2



1.3



1.4



1.5

