



US00D922208S

(12) **United States Design Patent**
Munindradasa

(10) **Patent No.:** **US D922,208 S**

(45) **Date of Patent:** **** Jun. 15, 2021**

(54) **SILICONE BAG DEVICE**

3/06; A45C 3/10; A45C 3/001; G09B
19/00; G09B 19/18; A47G 19/02; A47G
19/025

(71) Applicant: **Thenkuty Munindradasa**, Chicago, IL
(US)

See application file for complete search history.

(72) Inventor: **Thenkuty Munindradasa**, Chicago, IL
(US)

(56)

References Cited

U.S. PATENT DOCUMENTS

D399,708 S *	10/1998	Grissom	D7/629
D514,951 S *	2/2006	Vaisnys	D9/707
D618,559 S *	6/2010	Taskinen	D9/705
D637,298 S *	5/2011	Vaisnys	D24/187
D874,150 S *	2/2020	Liu	D3/303
D886,532 S *	6/2020	Peng	D7/601
D901,983 S *	11/2020	Mouler	D7/601

(**) Term: **15 Years**

(21) Appl. No.: **29/710,029**

(22) Filed: **Oct. 18, 2019**

(51) **LOC (13) Cl.** **09-05**

(52) **U.S. Cl.**
USPC **D9/709**

(58) **Field of Classification Search**

USPC D9/702-714, 719, 738-740, 517-518,
D9/522, 416, 435, 444, 455, 414, 499,
D9/431-432, 601, 602; D7/560-562;
206/434, 428; 229/87.01, 87.04, 87.08,
229/87.18, 87.19; 150/100-118; 383/6,
383/10, 14, 20, 40, 33, 104-105, 117,
383/108, 120, 93, 121.1, 127; 428/34.1,
428/34.2

CPC B65D 33/00; B65D 33/06; B65D 33/065;
B65D 33/14; B65D 33/1683; B65D
33/12; B65D 33/16; B65D 33/10; B65D
33/2541; B65D 33/004; B65D 31/00;
B65D 31/04; B65D 31/10; B65D 81/18;
B65D 81/03; B65D 75/008; B65D
2203/02; A45C 3/00; A45C 3/04; A45C

* cited by examiner

Primary Examiner — Abraham Bahta

(57)

CLAIM

I claim the ornamental design for a silicone bag device, as shown and described.

DESCRIPTION

FIG. 1 is a perspective view of a silicone bag device showing the new design; and

FIG. 2 is a left side view;

FIG. 3 is a front view;

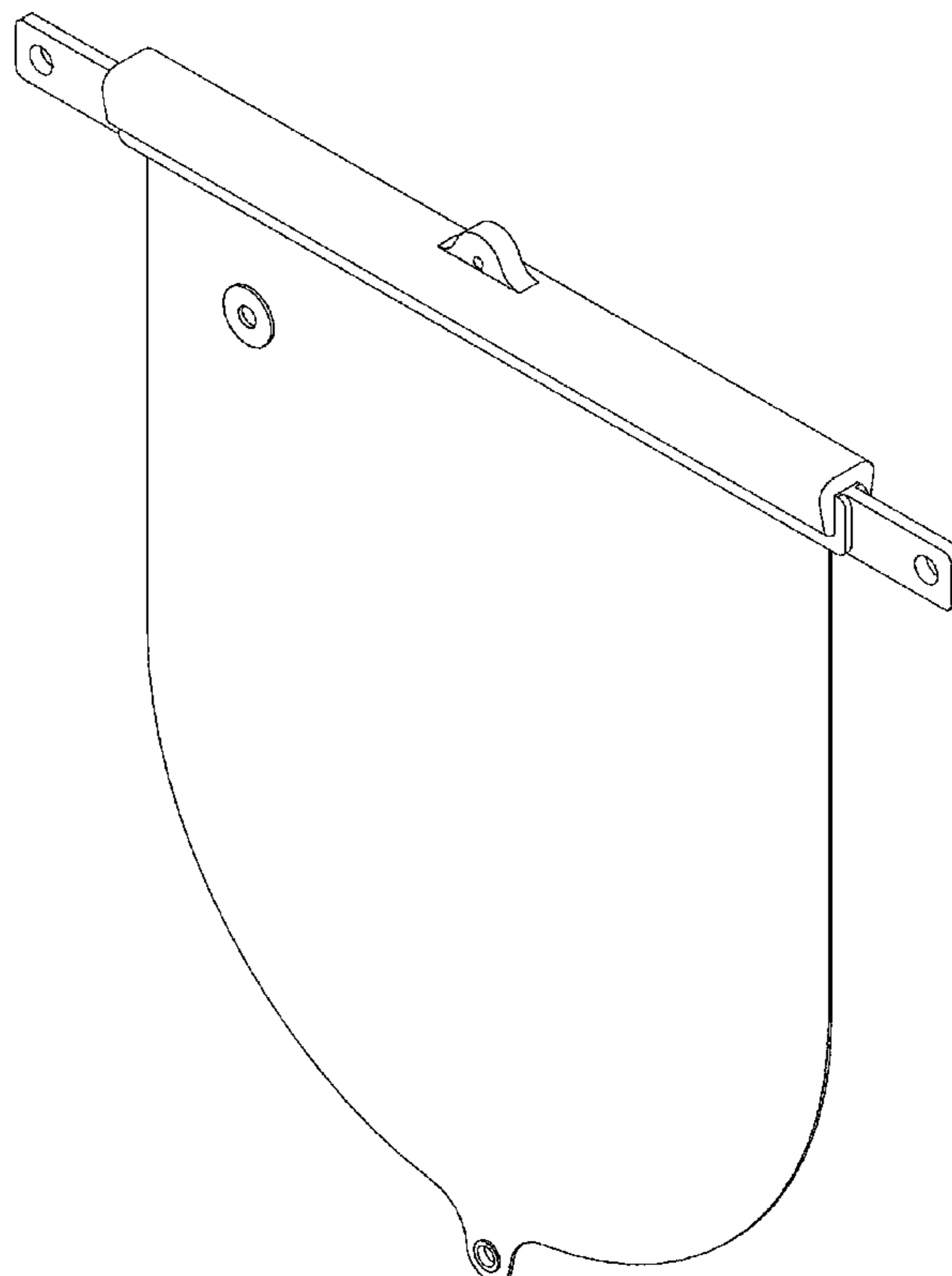
FIG. 4 is a right side view;

FIG. 5 is a rear view;

FIG. 6 is a bottom view; and,

FIG. 7 is a top view.

1 Claim, 7 Drawing Sheets



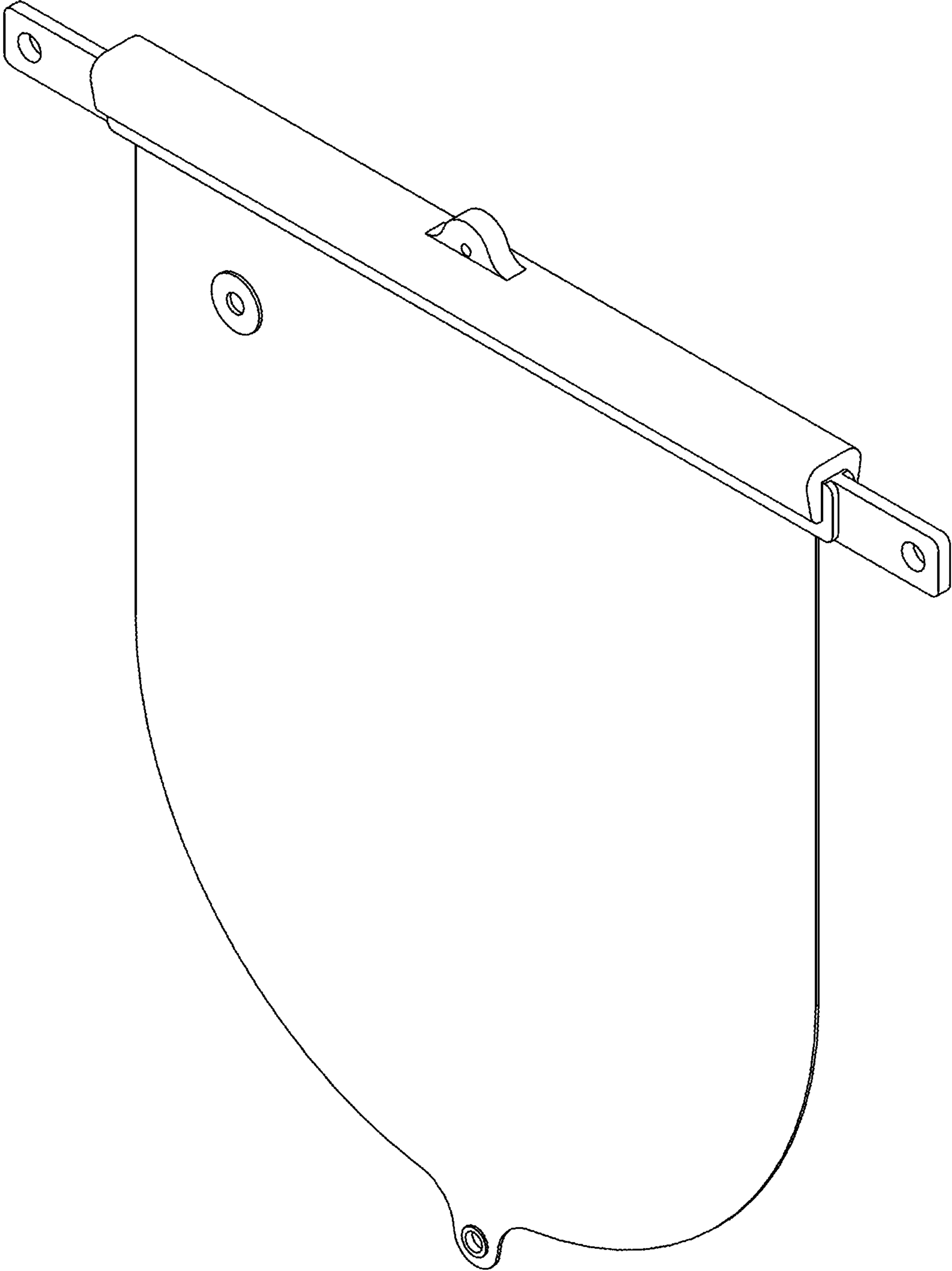


FIG. 1

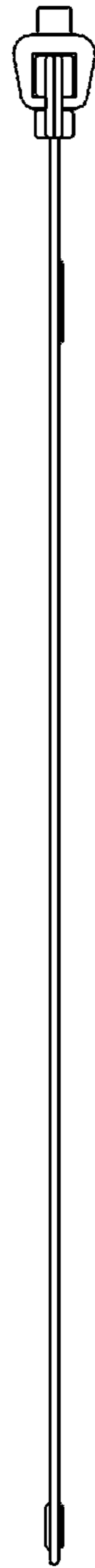


FIG. 2

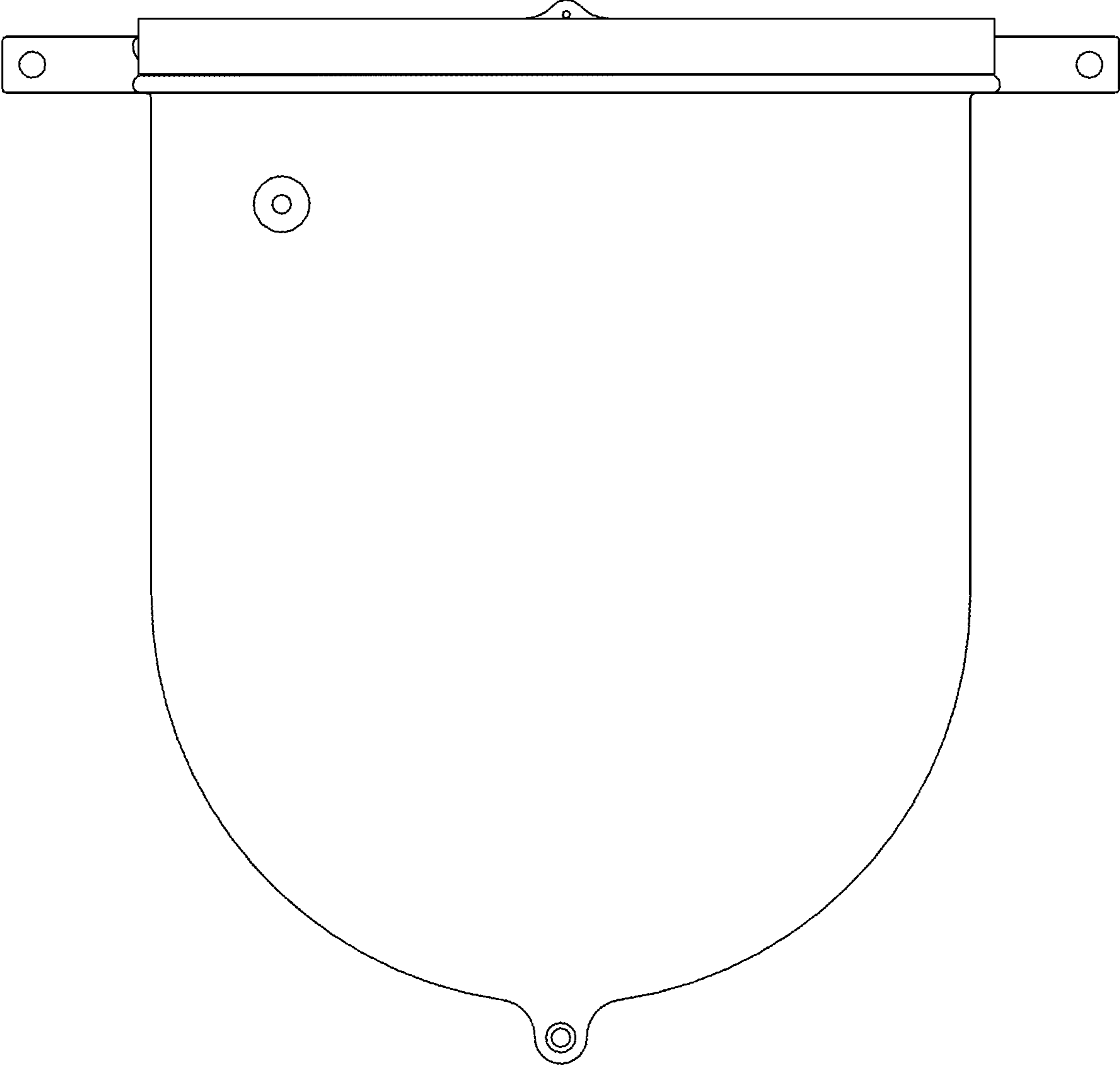


FIG. 3

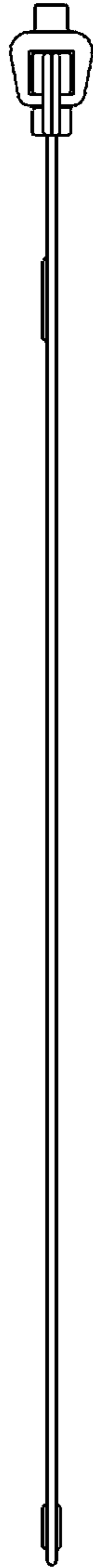


FIG. 4

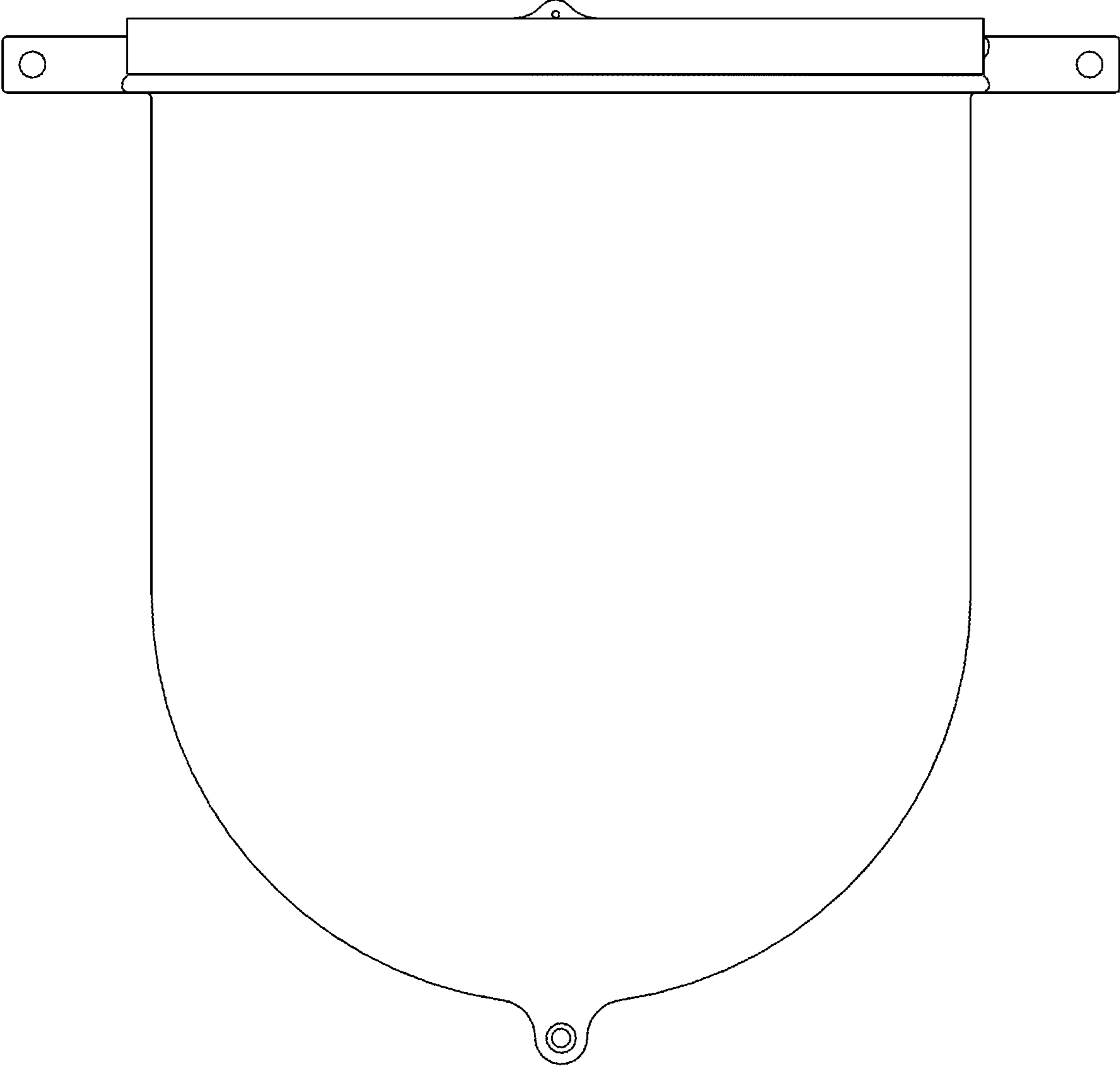


FIG. 5

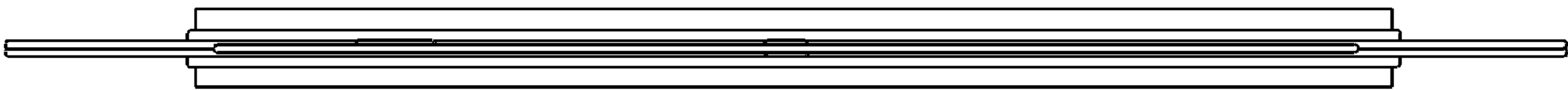


FIG. 6

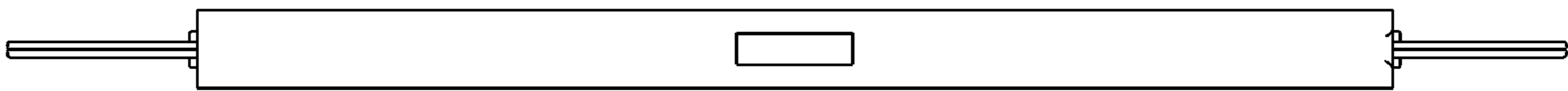


FIG. 7