



US00D922204S

(12) **United States Design Patent**
Joly

(10) **Patent No.:** **US D922,204 S**

(45) **Date of Patent:** **** Jun. 15, 2021**

(54) **BOTTLE**

(71) Applicant: **WHITE FEATHER**
INTERNATIONAL sp. z o.o., Warsaw
(PL)

(72) Inventor: **Jean Francois Marie Louis Joly**, Oise
(FR)

(**) Term: **15 Years**

(21) Appl. No.: **35/508,211**

(22) Filed: **May 7, 2019**

(80) **Hague Agreement Data**

Int. Filing Date: **May 7, 2019**

Int. Reg. No.: **DM/204994**

Int. Reg. Date: **May 7, 2019**

Int. Reg. Pub. Date: **Dec. 27, 2019**

(51) **LOC (13) Cl.** **09-01**

(52) **U.S. Cl.**
USPC **D9/544; D9/575**

(58) **Field of Classification Search**
USPC D9/499, 550, 563, 652, 544, 564, 516,
D9/529, 575; D7/300, 392.1, 396.2, 509
CPC B65D 1/00; B65D 1/02; B65D 1/0223;
B65D 81/00; B65D 2501/00; B65D
2501/0009; B65D 2501/0081

See application file for complete search history.

(56) **References Cited**

U.S. PATENT DOCUMENTS

D20,581 S * 3/1891 Rheinstrom D9/546
D21,495 S * 4/1892 Richter D9/545
D553,000 S * 10/2007 Barbagli D9/571
D555,501 S * 11/2007 Del Bon D9/544
D556,577 S * 12/2007 Didier D9/500

D561,026 S * 2/2008 Rica D9/500
D561,039 S * 2/2008 Del Bon D9/544
D580,771 S * 11/2008 Rica D9/544
D581,800 S * 12/2008 Rica D9/544
D586,659 S * 2/2009 Delbon D9/544
D611,350 S * 3/2010 Esparza D9/522
D628,491 S * 12/2010 Themann D9/544
D630,100 S * 1/2011 Wanet D9/544
D646,178 S * 10/2011 Barber D9/655
D682,705 S * 5/2013 Reynolds D9/559
D742,751 S * 11/2015 Letamendi D9/558
D777,038 S * 1/2017 Fujimoto D9/563
D830,189 S * 10/2018 Fujimoto D9/563
D860,802 S * 9/2019 Lee D9/560
D867,144 S * 11/2019 Urbanek D9/522
D889,270 S * 7/2020 Viola D9/544

OTHER PUBLICATIONS

Facebook. White Feather VODKA. Oct. 16, 2020. <https://m.facebook.com/WhiteFeatherVODKA/photos/pb.112136390544009.-2207520000./173625511061763/?type=3> (Year: 2020).*

Youtube. White feather master audio 4k. Jul. 11, 2020. <https://www.youtube.com/watch?v=lxJNg6j-sXg> (Year: 2020).*

* cited by examiner

Primary Examiner — Darcey E Gottschalk

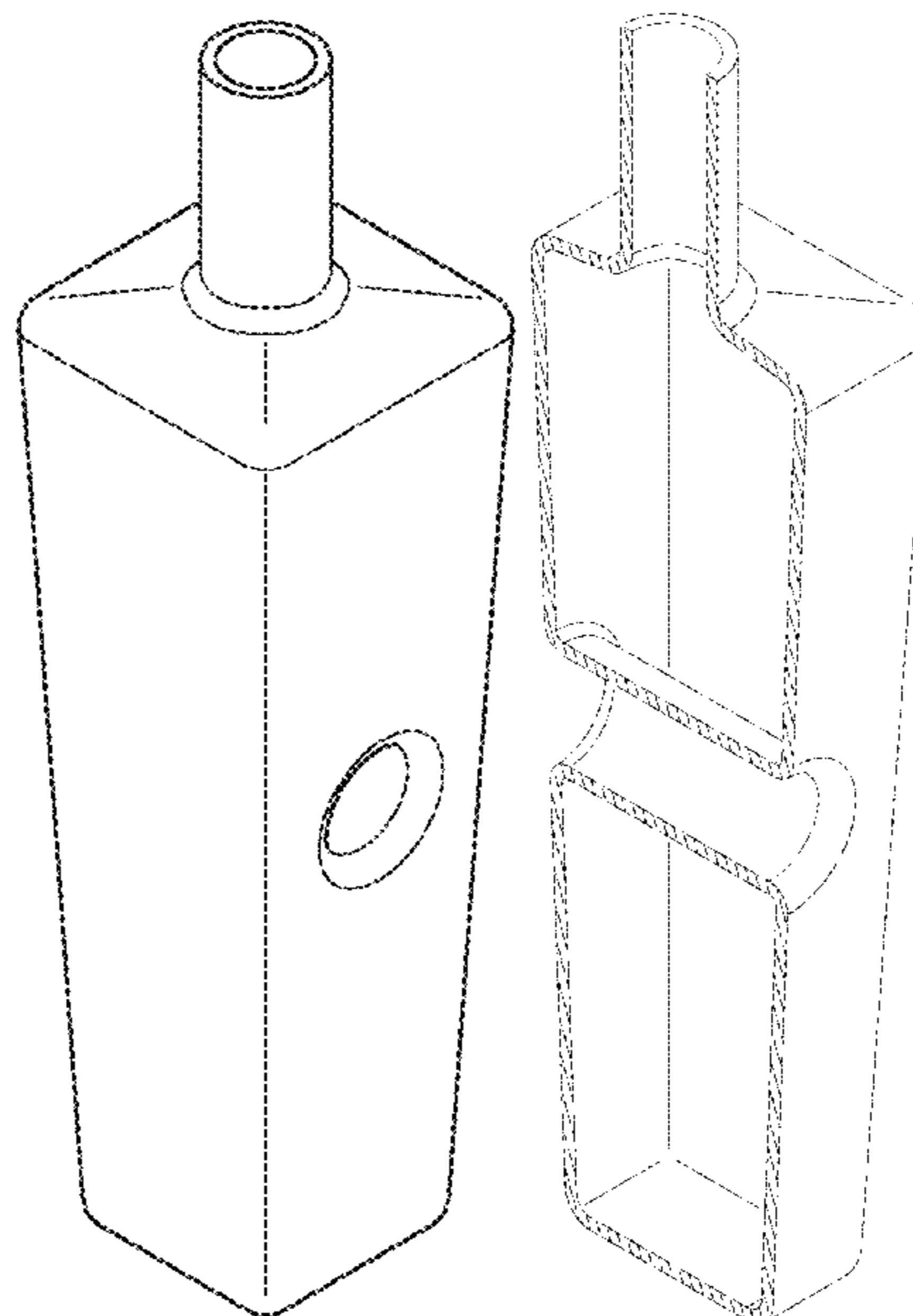
(57) **CLAIM**

The ornamental design for a bottle, as shown and described.

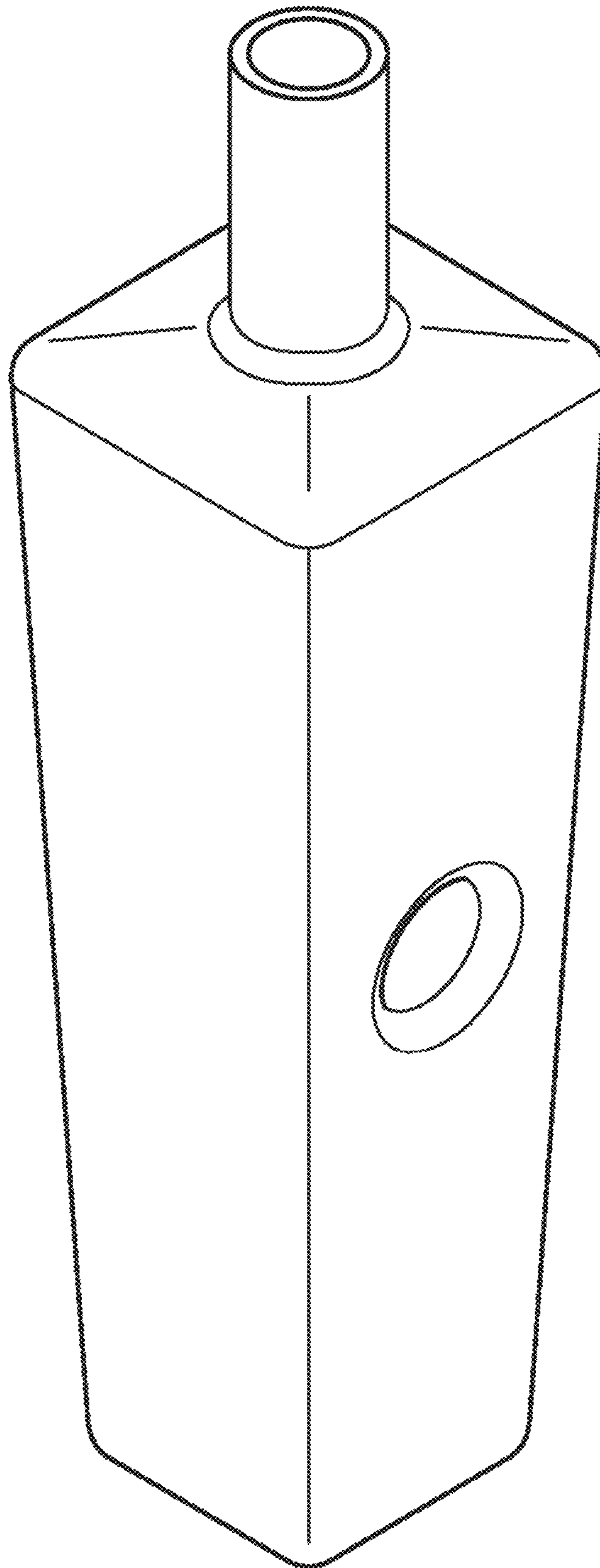
DESCRIPTION

- 1. Bottle
- 1.1 : Perspective
- 1.2 : Left and right view
- 1.3 : Front and back view
- 1.4 : Cross sectional
- 1.5 : Bottom
- 1.6 : Top

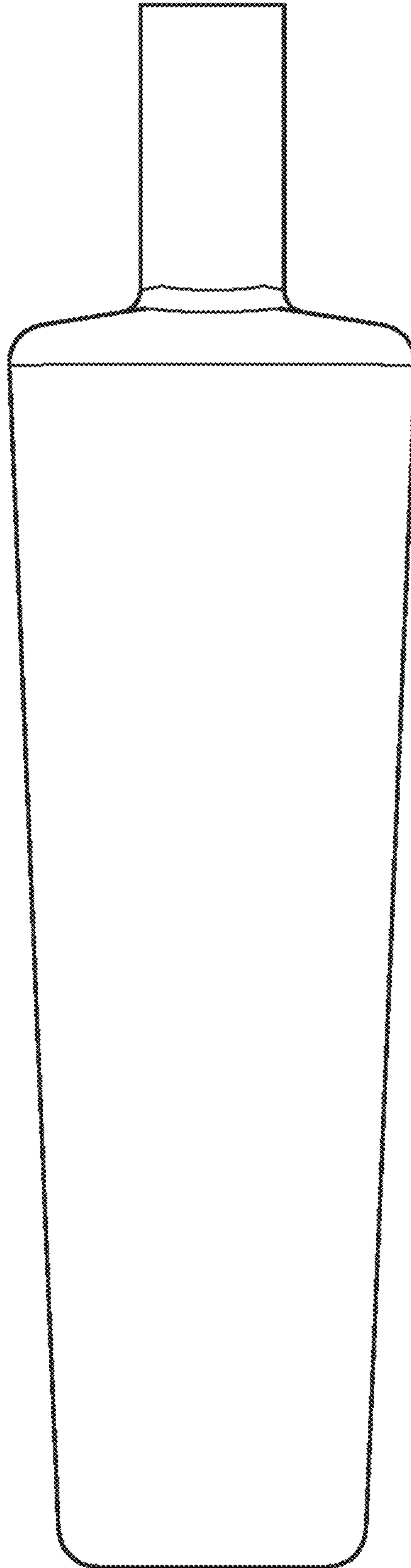
1 Claim, 6 Drawing Sheets



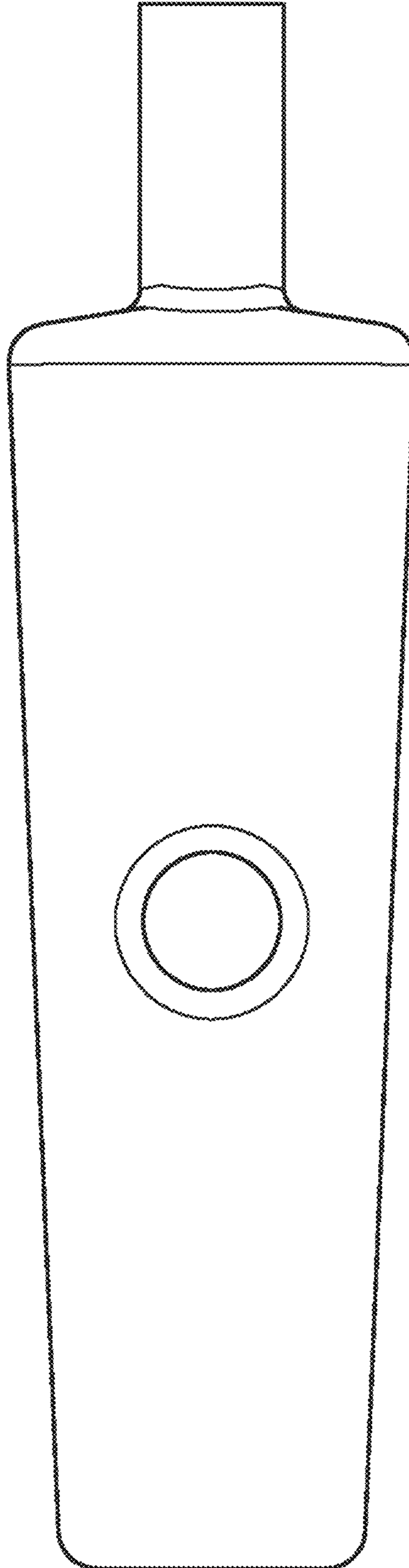
1.1



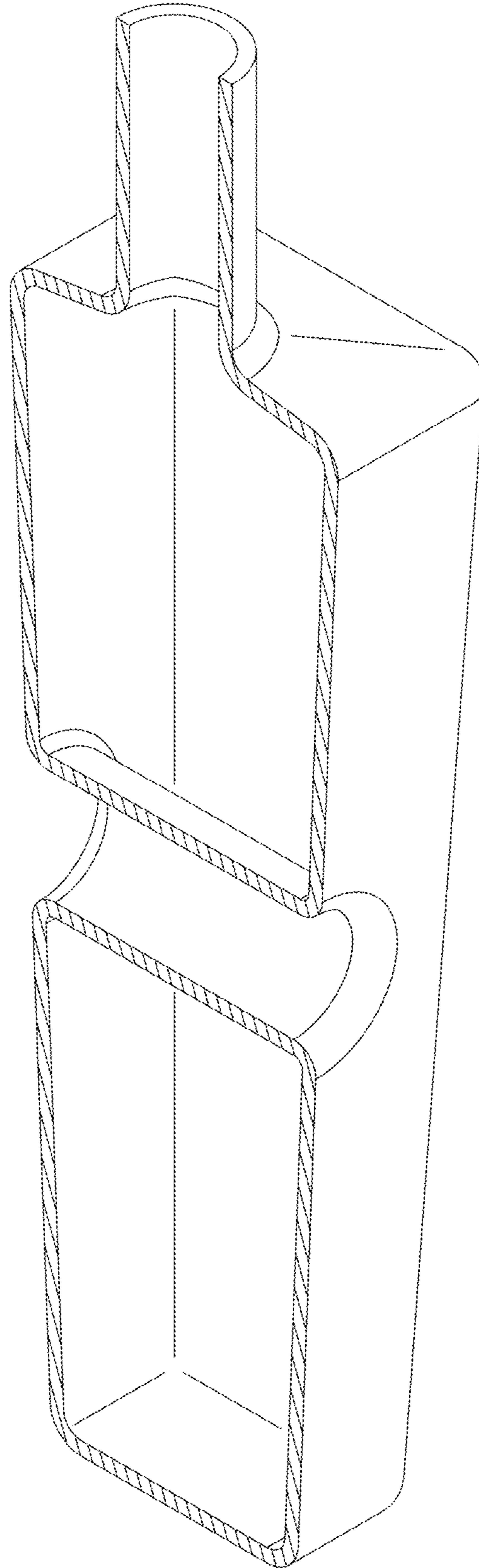
1.2



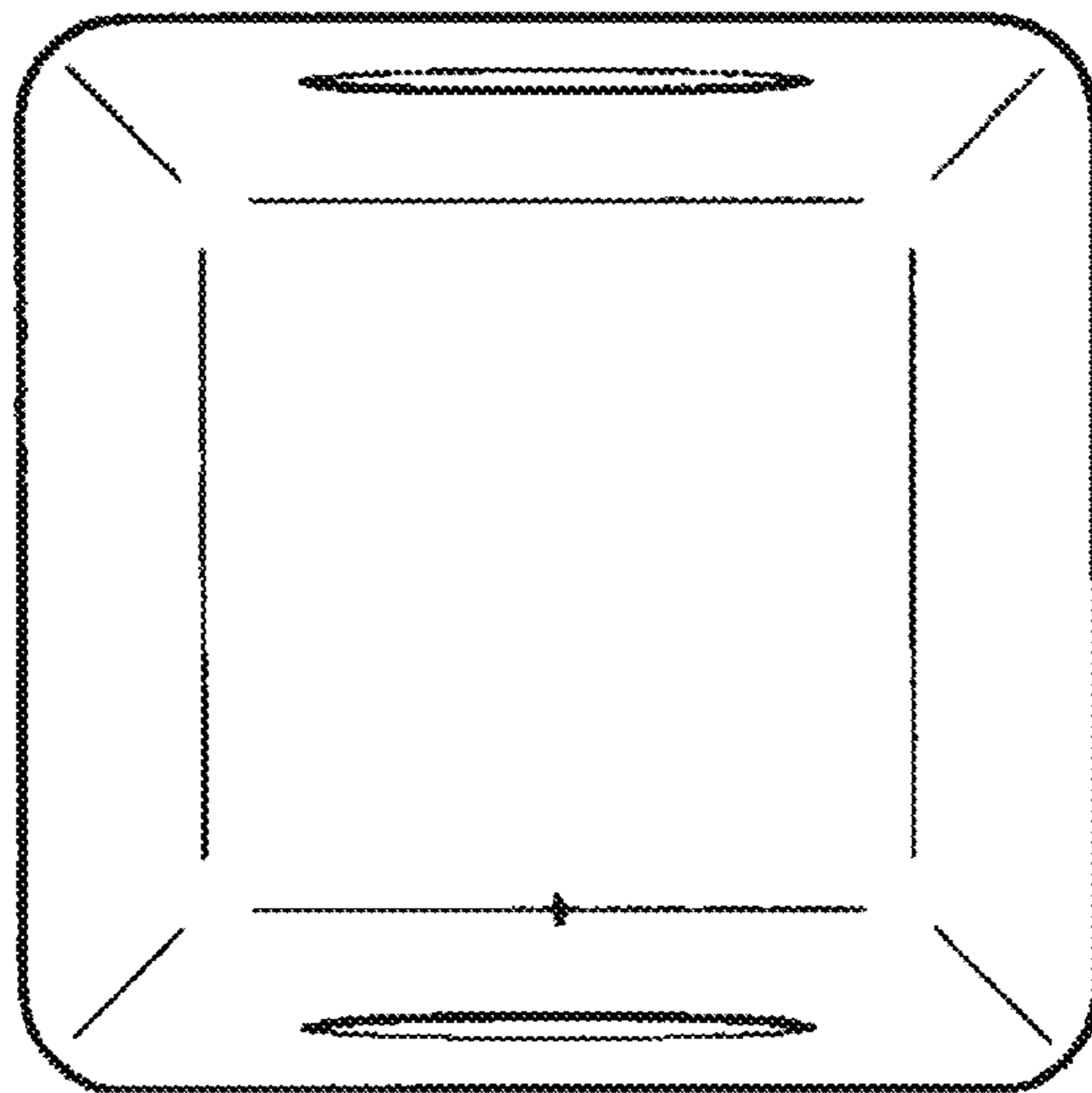
1.3



1.4



1.5



1.6

