



US00D922201S

(12) **United States Design Patent** (10) **Patent No.:** **US D922,201 S**
Königsberger et al. (45) **Date of Patent:** **** Jun. 15, 2021**

(54) **BOTTLE**
(71) Applicant: **Henkel AG & Co. KGaA**, Düsseldorf (DE)
(72) Inventors: **Johanna Königsberger**, Hamburg (DE); **Katja Gerhards**, Düsseldorf (DE)
(73) Assignee: **Henkel AG & Co. KGaA**, Duesseldorf (DE)
(**) Term: **15 Years**
(21) Appl. No.: **35/507,899**

D622,595 S * 8/2010 Rousselet D9/526
D627,230 S * 11/2010 Milhem D9/523
D653,953 S * 2/2012 Wakeman D9/526
D681,470 S * 5/2013 Martel D9/523
D719,451 S * 12/2014 Hyder D9/523
D739,247 S * 9/2015 McDonnell D9/526
D746,693 S * 1/2016 Davis D9/528
D774,913 S * 12/2016 Schwartz D9/543
D780,585 S * 3/2017 Nho D9/530
D782,909 S * 4/2017 Jost D9/520
D799,971 S * 10/2017 Garcia D9/523
D799,972 S * 10/2017 Jost D9/528
D809,926 S * 2/2018 Jasso Gomez D9/523
D813,679 S * 3/2018 Bos D9/526
D824,767 S * 8/2018 Murphy D9/528
D835,991 S * 12/2018 Veldhuis D9/523
D854,931 S * 7/2019 Brown D9/523

(Continued)

(22) Filed: **Sep. 27, 2019**

(80) **Hague Agreement Data**

Int. Filing Date: **Sep. 27, 2019**
Int. Reg. No.: **DM/204144**
Int. Reg. Date: **Sep. 27, 2019**
Int. Reg. Pub. Date: **Nov. 29, 2019**

(51) **LOC (13) Cl.** **09-01**

(52) **U.S. Cl.**
USPC **D9/526; D9/563; D9/571**

(58) **Field of Classification Search**
USPC **D9/499, 522, 523, 525-528, 530, 556, D9/571, 730, 737, 738, 516, 529, 564, D9/563**

CPC **B65D 23/00**
See application file for complete search history.

(56) **References Cited**

U.S. PATENT DOCUMENTS

D406,530 S * 3/1999 Bodker D9/526
D406,531 S * 3/1999 Bodker D9/526
D501,142 S * 1/2005 Pattison D9/526
D589,349 S * 3/2009 Prater D9/523
D593,412 S * 6/2009 Gonzalez D9/516

OTHER PUBLICATIONS

Sustainability Greiner. Henkel partners with Greiner Packaging to release recyclable black plastic packaging. No date specified. [https://sustainability.greiner.com/en/henkel-partners-with-greiner-to-release-recyclable-black-packaging/\(Year: 0\).*](https://sustainability.greiner.com/en/henkel-partners-with-greiner-to-release-recyclable-black-packaging/(Year: 0).*)

(Continued)

Primary Examiner — Darcey E Gottschalk
(74) *Attorney, Agent, or Firm* — Bojuan Peng

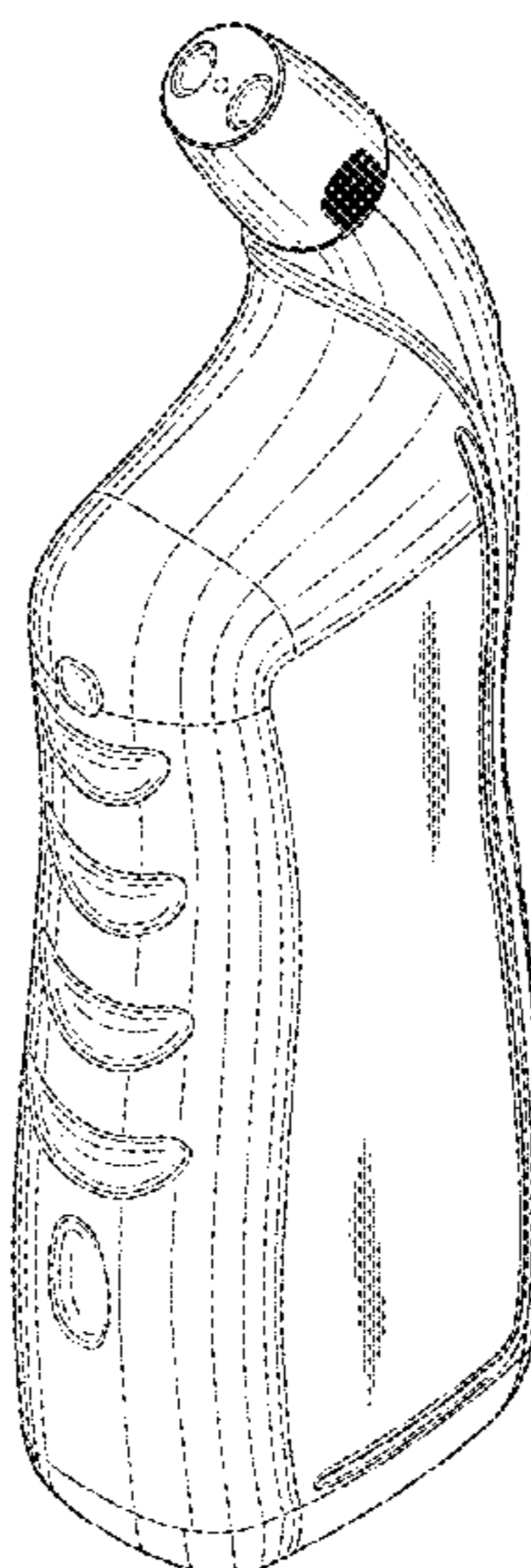
(57) **CLAIM**

The ornamental design for a bottle, as shown and described.

DESCRIPTION

FIG. 1.1 is a front perspective view of a bottle embodying the new design;
FIG. 1.2 is a front side elevation view of the bottle;
FIG. 1.3 is a rear side elevation view of the bottle;
FIG. 1.4 is a right side elevation view of the bottle;
FIG. 1.5 is a left side elevation view of the bottle;
FIG. 1.6 is a top plan view thereof; and,
FIG. 1.7 is a bottom plan view of the bottle.

1 Claim, 7 Drawing Sheets



(56)

References Cited

U.S. PATENT DOCUMENTS

D858,291 S * 9/2019 Brown D9/528
D896,653 S * 9/2020 Loughrey D9/528
2017/0190473 A1 * 7/2017 Garcia B65D 1/023

OTHER PUBLICATIONS

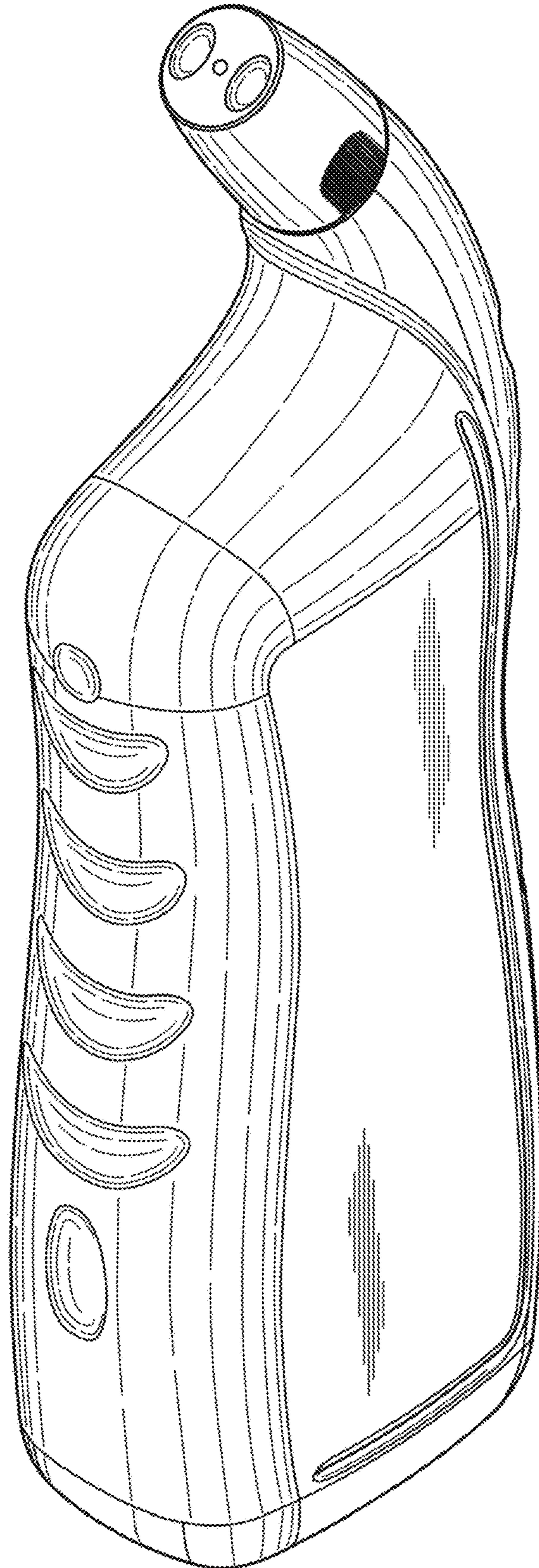
Deposit Photos. Toilet cleaner. Bottle with liquid. Top view of a toilet bowl. Vector illustration.—Stock Illustration. Feb. 4, 2019. <https://depositphotos.com/242685016/stock-illustration-toilet-cleaner-bottle-liquid-top.html> (Year: 2019).*

Packaging Insights. Greiner Packaging delivers 50% recycled Henkel toilet cleaner bottles. Jul. 9, 2020. <https://www.packaginginsights.com/news/greiner-packaging-delivers-50-recycled-henkel-toilet-cleaner-bottles.html> (Year: 2020).*

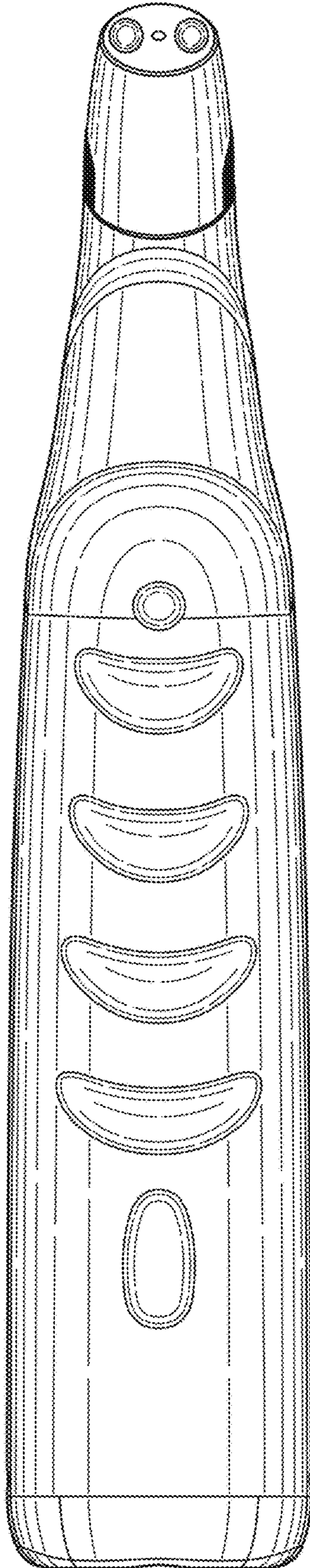
123 RF. Stock Photo—Berezovitsa, Ukraine—circa Jun. 2016: Toilet cleaner bottle WC reiniger Her Klee. Jun. 2016. https://www.123rf.com/photo_58498496_berezovitsa-ukraine-circa-June-2016-toilet-cleaner-bottle-wc-reiniger-her-klee.html (Year: 2016).*

* cited by examiner

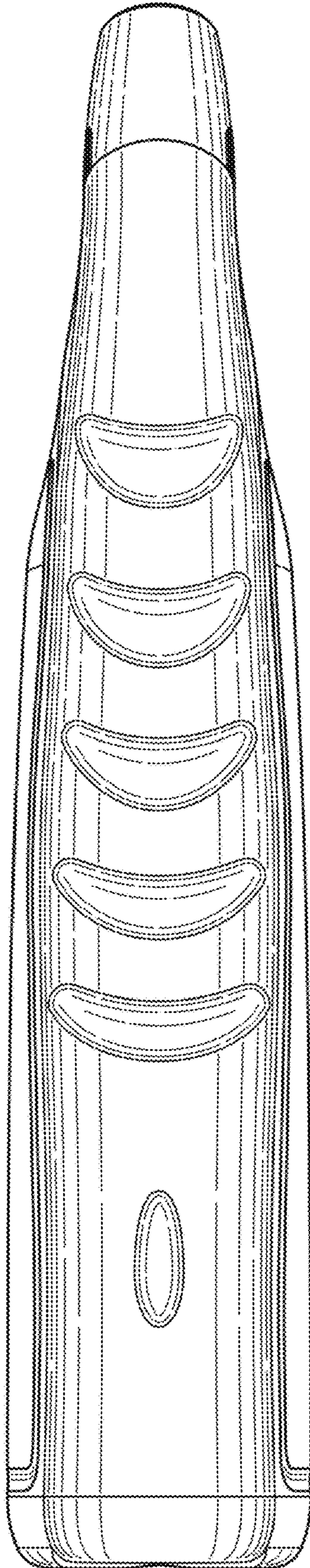
1.1



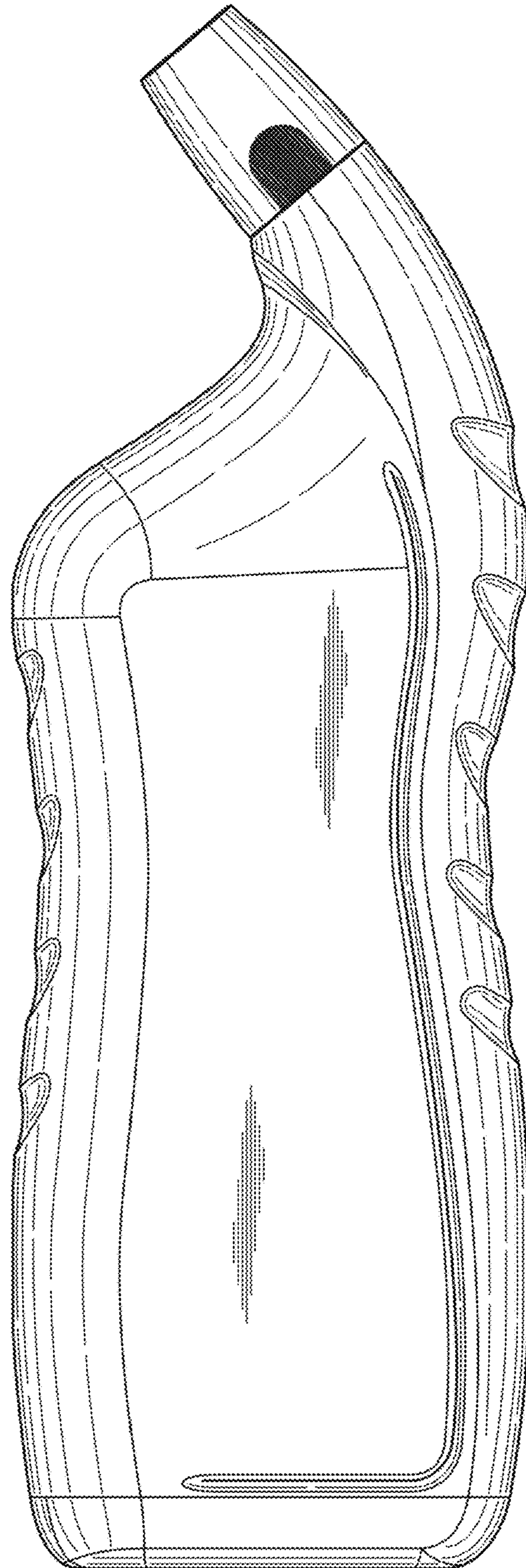
1.2



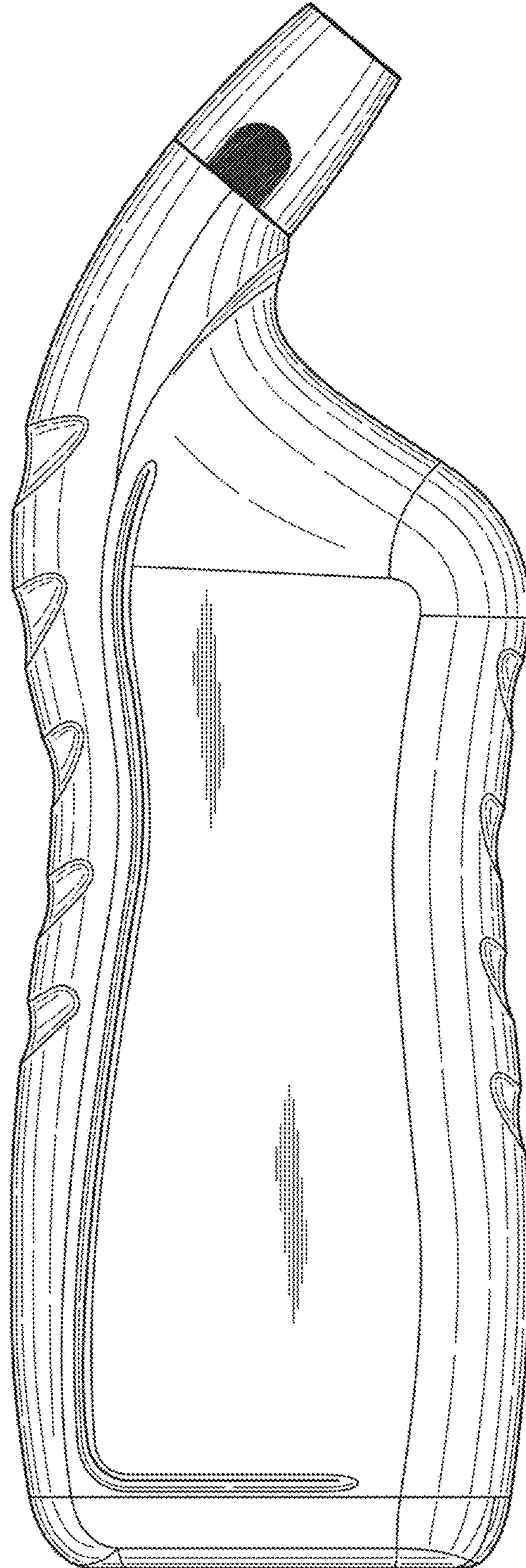
1.3



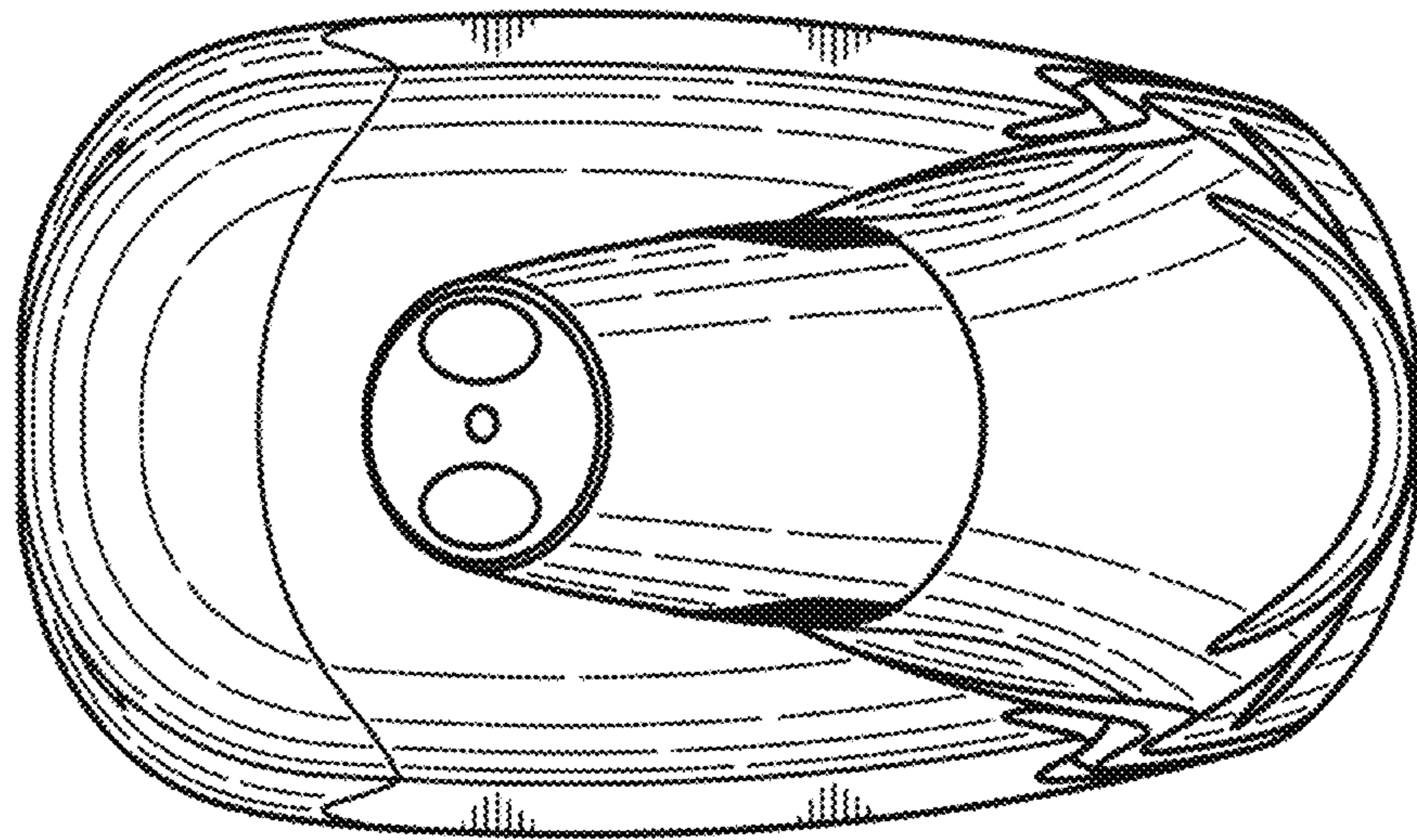
1.4



1.5



1.6



1.7

