



US00D922199S

(12) **United States Design Patent** (10) **Patent No.:** **US D922,199 S**  
**Kim** (45) **Date of Patent:** **\*\* \*Jun. 15, 2021**

(54) **THREADED CAP**

FOREIGN PATENT DOCUMENTS

(71) Applicant: **Silgan White Cap LLC**, Downers Grove, IL (US)

AU	338654	9/2011
MX	49180	3/2016
MX	49767	3/2016

(72) Inventor: **Sungsuk Steve Kim**, Batavia, IL (US)

OTHER PUBLICATIONS

(73) Assignee: **Silgan White Cap LLC**, Downers Grove, IL (US)

38 MM Silver Ribbed Tamper Evident Cap: Announced 2019 [online]. Site Visited [Jan. 5, 2020]. Available from Internet URL: [https://www.webpackaging.com/en/portals/nevilleandmore/assets/11593002/38mm-silver-ribbed-3-start-tamper-evident-cap-with-bore-seal.\\*](https://www.webpackaging.com/en/portals/nevilleandmore/assets/11593002/38mm-silver-ribbed-3-start-tamper-evident-cap-with-bore-seal.*)

(\*) Notice: This patent is subject to a terminal disclaimer.

(\*\*) Term: **15 Years**

(Continued)

(21) Appl. No.: **29/715,958**

*Primary Examiner* — Catherine S Posthauer

(22) Filed: **Dec. 5, 2019**

(74) *Attorney, Agent, or Firm* — Reinhart Boerner Van Deuren s.c.

**Related U.S. Application Data**

(62) Division of application No. 29/539,252, filed on Sep. 11, 2015, now Pat. No. Des. 872,577.

(51) **LOC (13) Cl.** ..... **09-07**

(52) **U.S. Cl.**  
USPC ..... **D9/453**

(58) **Field of Classification Search**  
USPC ..... D3/202, 203.1, 203.2, 273, 294, 318;  
D7/300, 300.1, 316, 317, 387, 391, 392.1,  
D7/393, 396.2, 509, 510, 511, 523,  
D7/525-531, 538, 541, 549, 629, 703,  
D7/900; D8/349, 350, 352; D9/434-443,  
D9/446, 447, 448, 449, 450, 452, 453,  
D9/454, 502, 503, 504, 516, 517, 529;

(Continued)

(56) **References Cited**

U.S. PATENT DOCUMENTS

D81,145 S 5/1930 Neuner  
2,681,742 A 6/1954 Miller

(Continued)

(57) **CLAIM**

I claim the ornamental design for a threaded cap, as shown and described.

**DESCRIPTION**

FIG. 1 is a perspective view of a threaded cap showing my new design;

FIG. 2 is a front view of the claimed design of FIG. 1, the rear view, the left side view, and the right side view being the same as the front view;

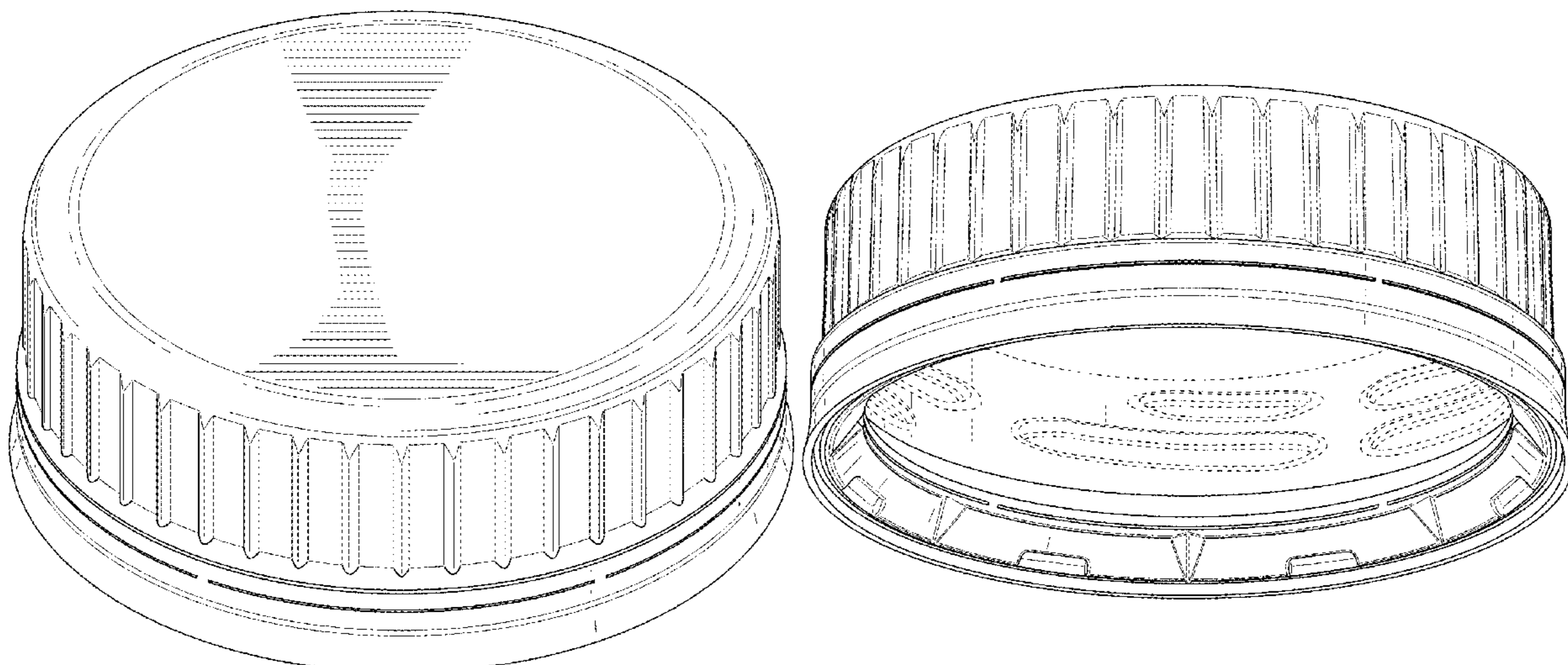
FIG. 3 is a top plan view of the claimed design of FIG. 1; FIG. 4 is a bottom plan view of the claimed design of FIG. 1;

FIG. 5 is a bottom perspective view from one side of the claimed design of FIG. 1; and,

FIG. 6 is a bottom perspective view from the side 180 degrees opposite the side depicted in FIG. 5 of the claimed design of FIG. 1.

The ornamental design which is claimed is shown in solid lines in the drawings. The broken lines are shown for the purpose of illustrating parts of the article that form no part of the claim.

**1 Claim, 6 Drawing Sheets**



(58) **Field of Classification Search**  
 USPC ..... D24/121, 127, 199, 224; D28/7, 76, 78,  
 D28/82, 85, 91; D26/36, 123, 124;  
 D35/1, 7, 10, 11, 39; 206/216, 219, 541,  
 206/22, 221, 220; 215/306, 305, 228,  
 215/200; 220/212.5, 200; 222/81, 83,  
 222/556, 533, 530, 519, 205, 192, 158,  
 222/153.01  
 CPC ..... B65D 50/041; B65D 23/00; B65D 1/00;  
 B65D 1/02; B65D 1/0223; B65D  
 2501/00; B65D 2501/0009; B65D 83/06  
 See application file for complete search history.

(56) **References Cited**

U.S. PATENT DOCUMENTS

4,369,889 A 1/1983 Ostrowsky  
 4,378,894 A \* 4/1983 Willis ..... B65D 55/066  
 215/250  
 D318,804 S \* 8/1991 Ochs ..... D9/453  
 D384,857 S 10/1997 Beaulé  
 D437,228 S \* 2/2001 Collins ..... D9/453  
 D443,513 S \* 6/2001 Goettner ..... D9/452  
 D460,357 S 9/2002 Kras et al.  
 D465,731 S \* 11/2002 Brant ..... D9/453  
 6,581,793 B1 6/2003 Racine et al.  
 6,702,134 B2 3/2004 Scalese et al.  
 D500,677 S \* 1/2005 Druitt ..... D9/452  
 6,889,857 B2 5/2005 Francois et al.  
 6,964,346 B1 11/2005 Taber et al.  
 D518,717 S \* 4/2006 German ..... D9/453  
 D519,030 S \* 4/2006 Matsuda ..... D9/453  
 D534,802 S \* 1/2007 German ..... D9/453  
 D535,189 S \* 1/2007 Pitman ..... D9/452  
 7,178,683 B2 2/2007 Birkmayer et al.  
 D538,654 S 3/2007 Seidita  
 D542,654 S 5/2007 Szczesniak  
 D542,655 S 5/2007 Szczesniak  
 D542,656 S 5/2007 Szczesniak  
 D544,348 S 6/2007 Szczesniak  
 7,367,465 B2 5/2008 Taber et al.  
 D582,275 S \* 12/2008 Reed ..... D9/453  
 D583,237 S 12/2008 Fuchs  
 D584,149 S 1/2009 Lohrman et al.  
 D584,619 S \* 1/2009 Lohrman ..... D9/453  
 D587,115 S 2/2009 Capretta et al.  
 D606,401 S 12/2009 Kamath et al.  
 D606,864 S \* 12/2009 Robinson ..... D9/453  
 D608,201 S 1/2010 Fuchs  
 D613,162 S 4/2010 Druitt  
 D615,864 S 5/2010 Fuchs  
 D619,003 S 7/2010 Benoit-Gonin et al.  
 D632,958 S \* 2/2011 Fuchs ..... D9/453  
 D633,386 S 3/2011 Taber et al.  
 D634,199 S 3/2011 Taber et al.  
 D634,200 S 3/2011 Taber et al.  
 D638,707 S 5/2011 Stoffers et al.  
 D671,834 S 12/2012 Chasteen et al.  
 8,360,257 B2 1/2013 Sebille et al.  
 8,393,483 B2 3/2013 Druitt  
 D681,465 S \* 5/2013 Cox ..... D9/441  
 D687,299 S 8/2013 Peykoff et al.

D688,128 S \* 8/2013 Krause ..... B65D 55/0854  
 D9/453  
 D688,129 S 8/2013 Krause  
 D693,221 S 11/2013 Ramsey et al.  
 D693,683 S 11/2013 Ramsey et al.  
 D693,685 S \* 11/2013 Ramsey ..... D9/453  
 8,672,158 B2 3/2014 Taber et al.  
 D712,743 S 9/2014 Neputy et al.  
 D712,744 S 9/2014 Neputy et al.  
 D720,222 S \* 12/2014 Laureano ..... D9/453  
 D723,370 S \* 3/2015 Medlin ..... D9/453  
 D723,919 S \* 3/2015 Taber ..... D9/438  
 D727,152 S 4/2015 Yaseen  
 D756,777 S 5/2016 Berge et al.  
 D757,545 S \* 5/2016 King ..... D9/453  
 D762,115 S \* 7/2016 Corvaglia ..... D9/443  
 D790,344 S 6/2017 Neputy et al.  
 D790,966 S \* 7/2017 Roberts ..... D9/453  
 D792,219 S \* 7/2017 Bueno Nunez ..... D9/453  
 D824,257 S \* 7/2018 Wood ..... D9/453  
 D836,439 S \* 12/2018 Tran ..... D9/453  
 D836,442 S \* 12/2018 Wood ..... D9/453  
 D838,171 S \* 1/2019 Wood ..... D9/453  
 D863,963 S \* 10/2019 Berroa Garcia ..... D9/453  
 D869,274 S 12/2019 Kim  
 2001/0027957 A1 \* 10/2001 Kano ..... B65D 41/0421  
 215/341  
 2002/0158037 A1 \* 10/2002 Kano ..... B65D 41/0421  
 215/341  
 2003/0132244 A1 7/2003 Birkmayer et al.  
 2006/0000793 A1 1/2006 Mavin et al.  
 2008/0067142 A1 \* 3/2008 Druitt ..... B65D 41/04  
 215/324  
 2008/0087625 A1 \* 4/2008 Kumata ..... B65D 41/0485  
 215/252  
 2008/0149586 A1 \* 6/2008 Loughrin ..... B65D 41/3409  
 215/252  
 2010/0200532 A1 8/2010 Ekkert  
 2011/0290755 A1 12/2011 Taber et al.  
 2012/0318768 A1 12/2012 Bashyam  
 2013/0270272 A1 10/2013 Smith et al.  
 2013/0313218 A1 11/2013 Cox et al.  
 2014/0158660 A1 \* 6/2014 Wood ..... B65D 41/0421  
 215/252  
 2015/0336716 A1 11/2015 Gehringer et al.  
 2016/0039579 A1 2/2016 Wood et al.  
 2016/0332783 A1 11/2016 Kim  
 2019/0062007 A1 \* 2/2019 Kim ..... B65D 45/24  
 2019/0118989 A1 \* 4/2019 Kim ..... B29B 11/08  
 2019/0337691 A1 \* 11/2019 Kim ..... B65D 41/325  
 2019/0344933 A1 \* 11/2019 Kim ..... B65D 43/169

OTHER PUBLICATIONS

28 mm Drop-Lok White Ribbed Plastic Cap: Announced 2019  
 [online]. Site Visited [Jan. 5, 2020]. Available from Internet URL:  
[https://www.thecarycompany.com/28mm-white-ribbed-plastic-cap-eva-liner.\\*](https://www.thecarycompany.com/28mm-white-ribbed-plastic-cap-eva-liner.*)  
 Silgan Closures\_P0383LX Cold Fill Plastic HDPE Closure: Site  
 visited [Jan. 5, 2020]. Available from Internet URL: [https://www.silgan-closures.com/product-selector/\\*](https://www.silgan-closures.com/product-selector/*)

\* cited by examiner



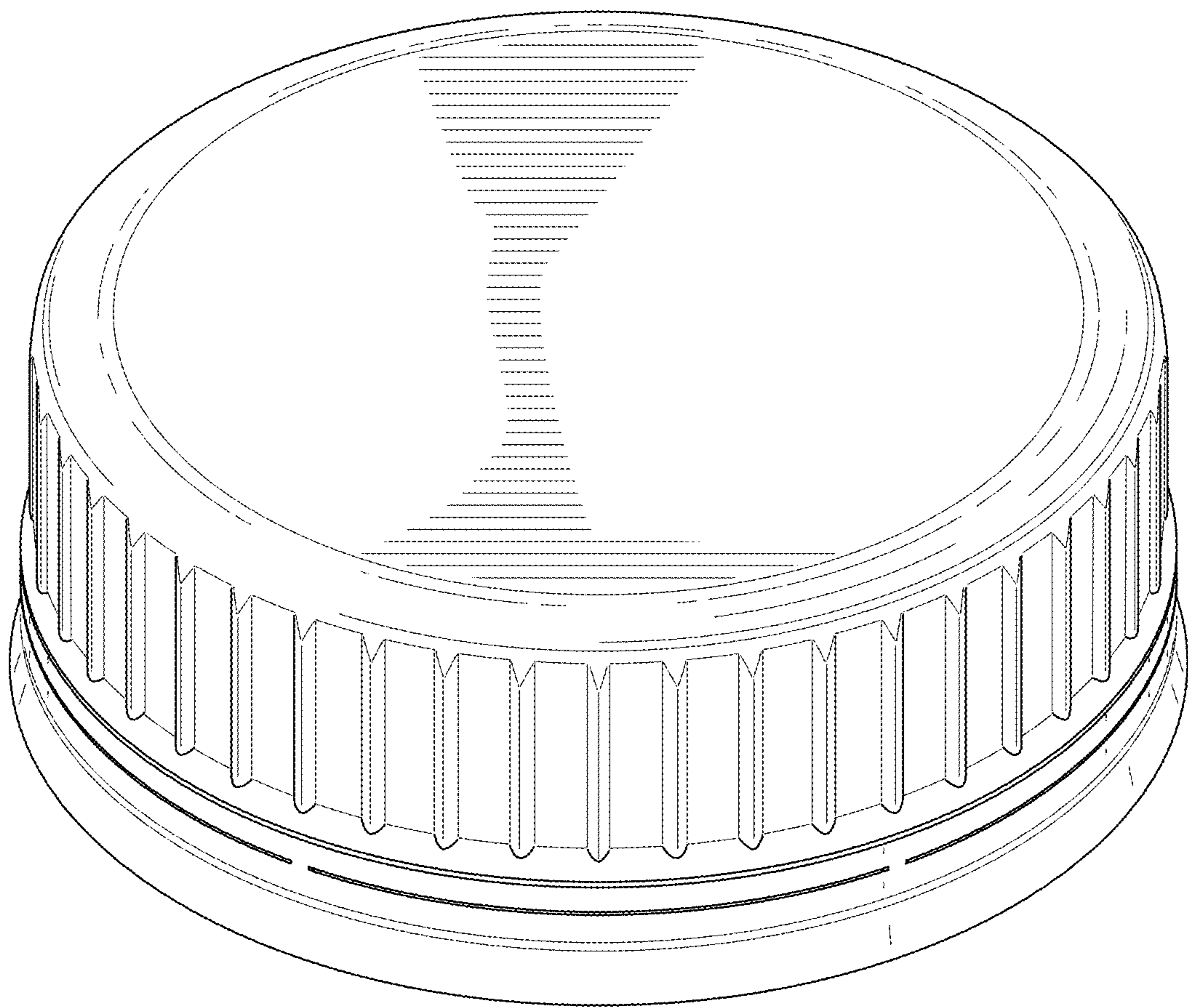


FIG. 1

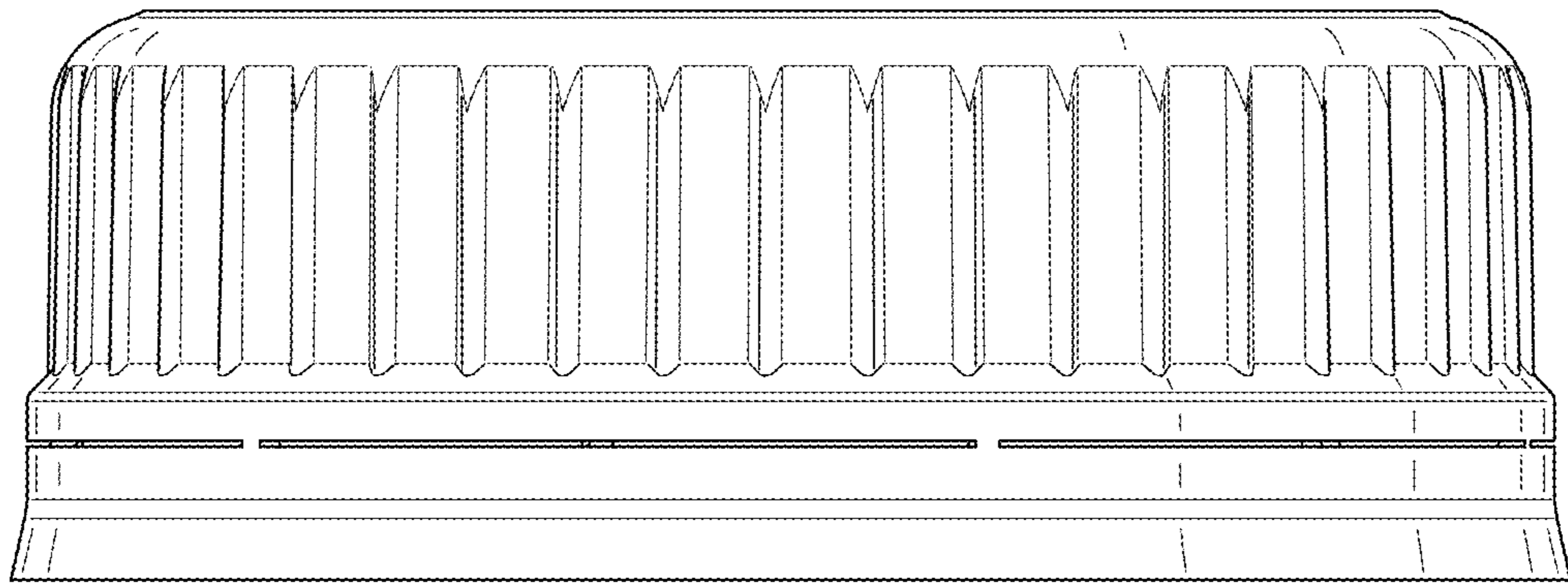


FIG. 2

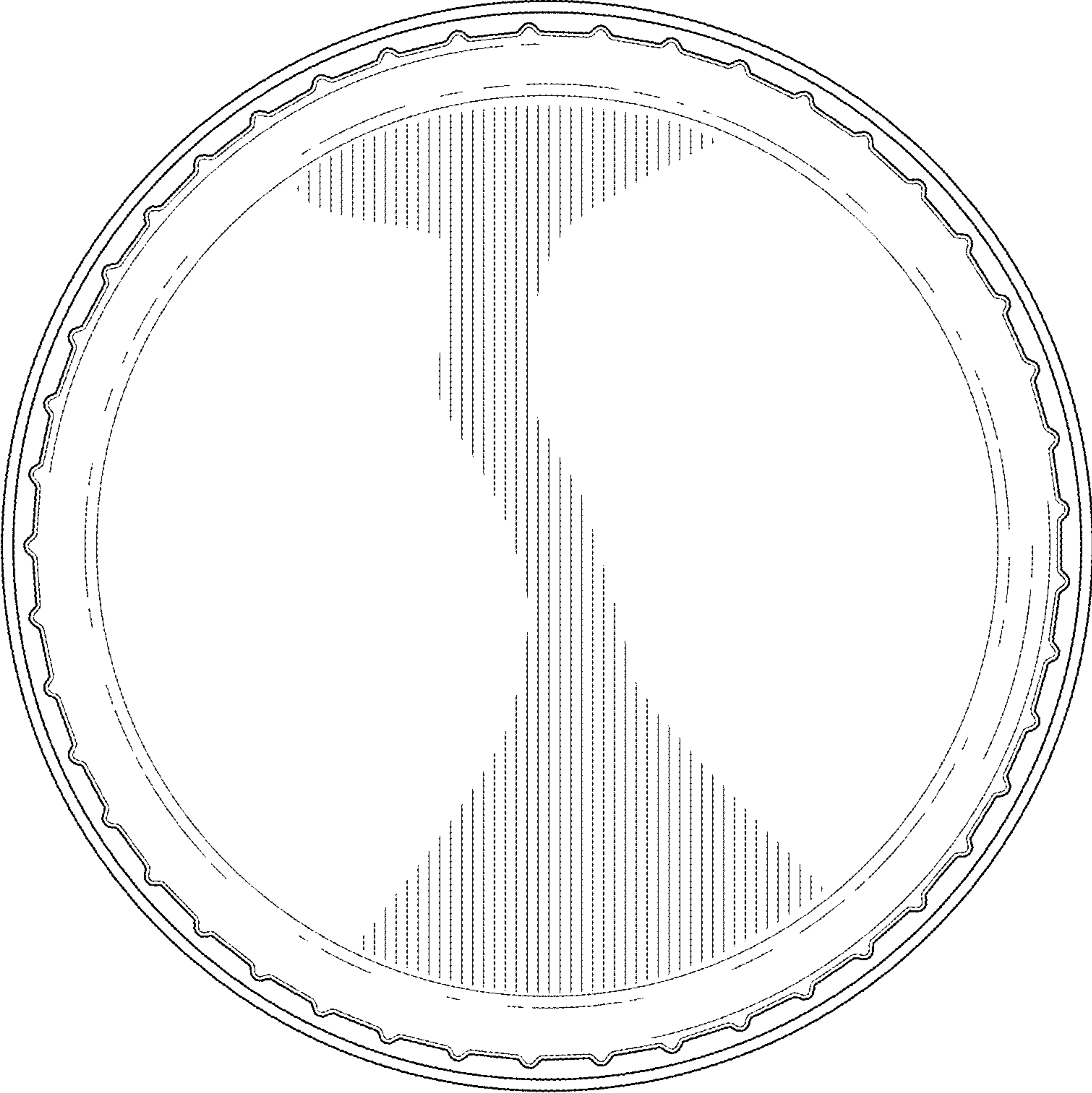


FIG. 3

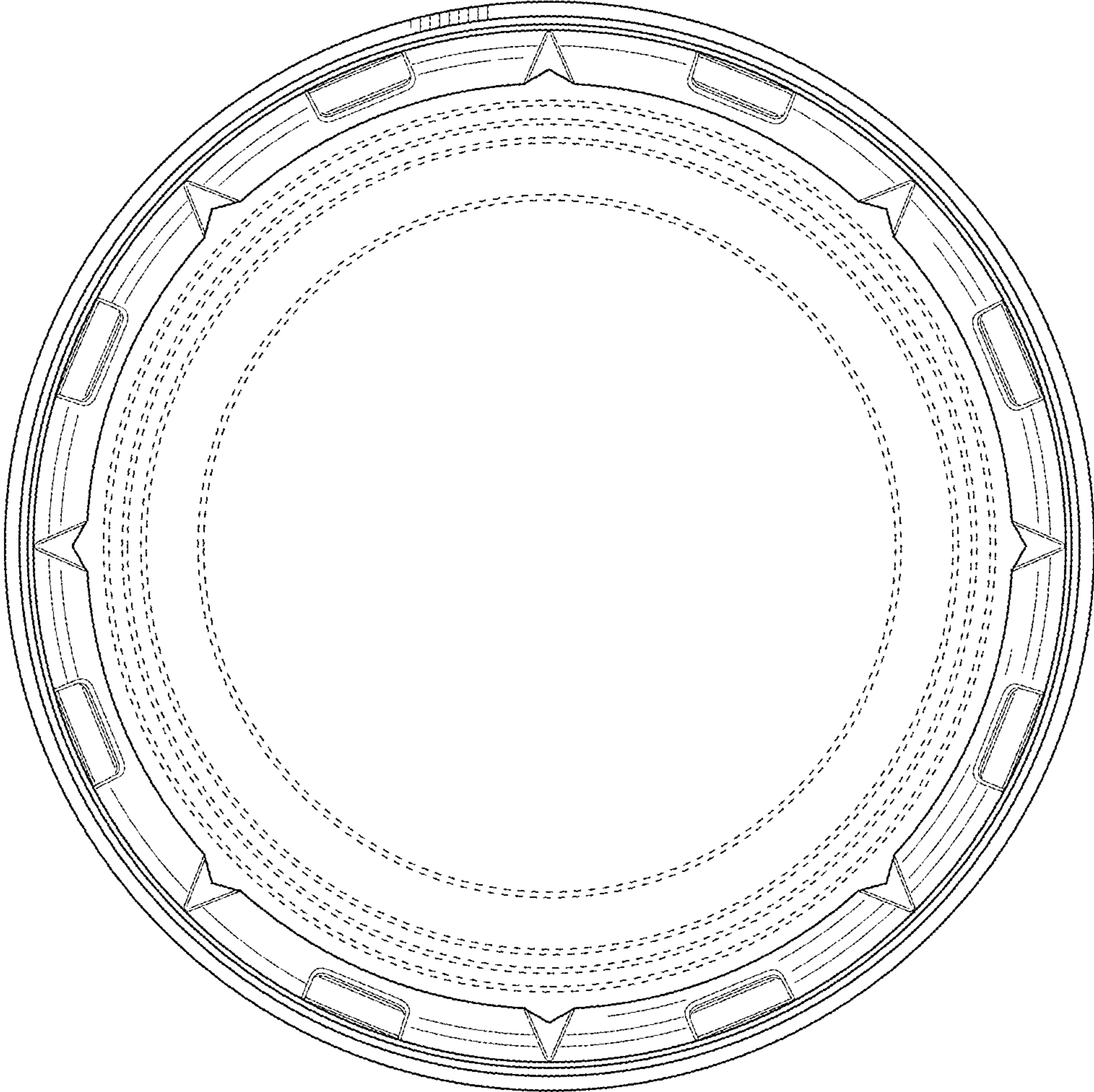


FIG. 4



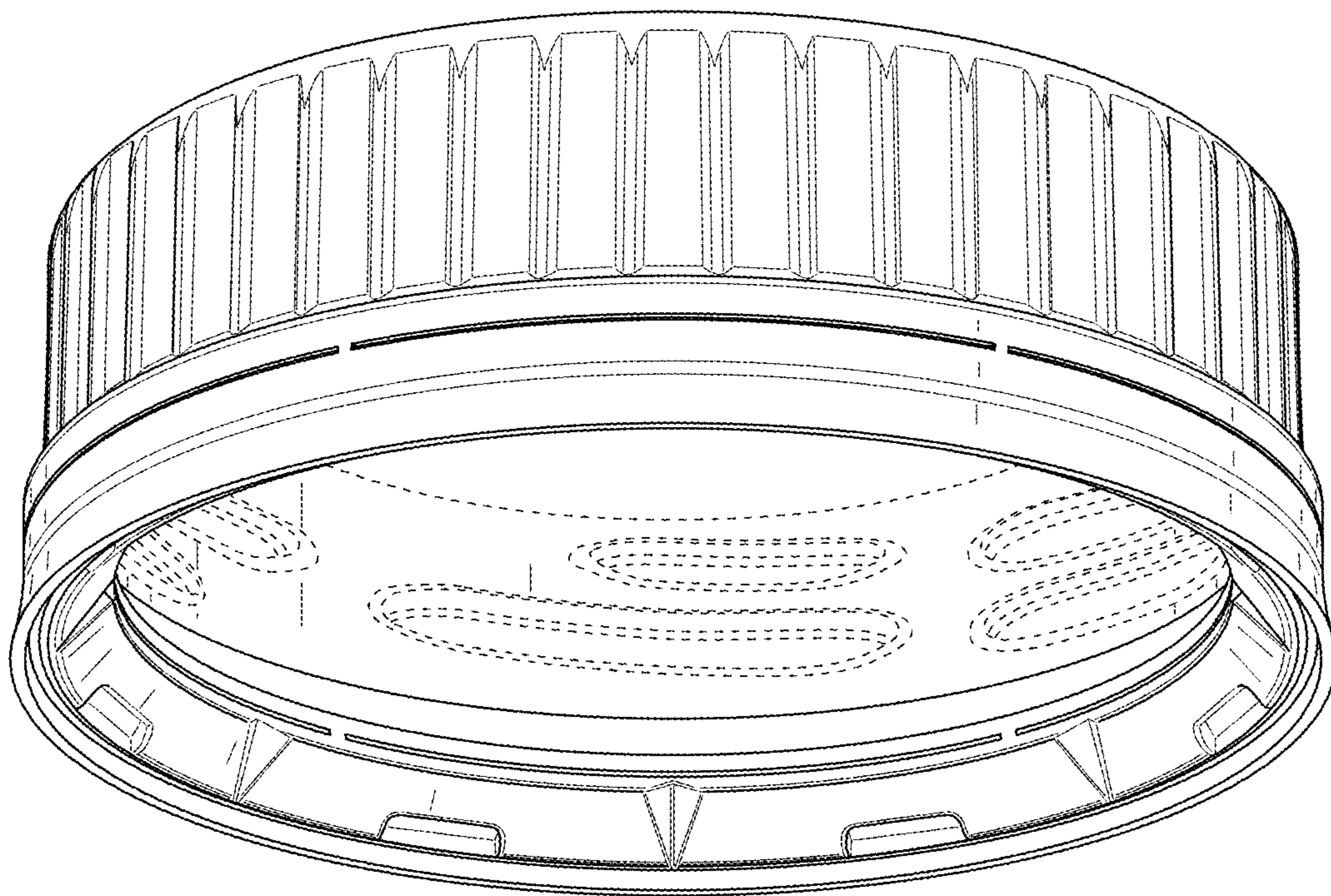


FIG. 5

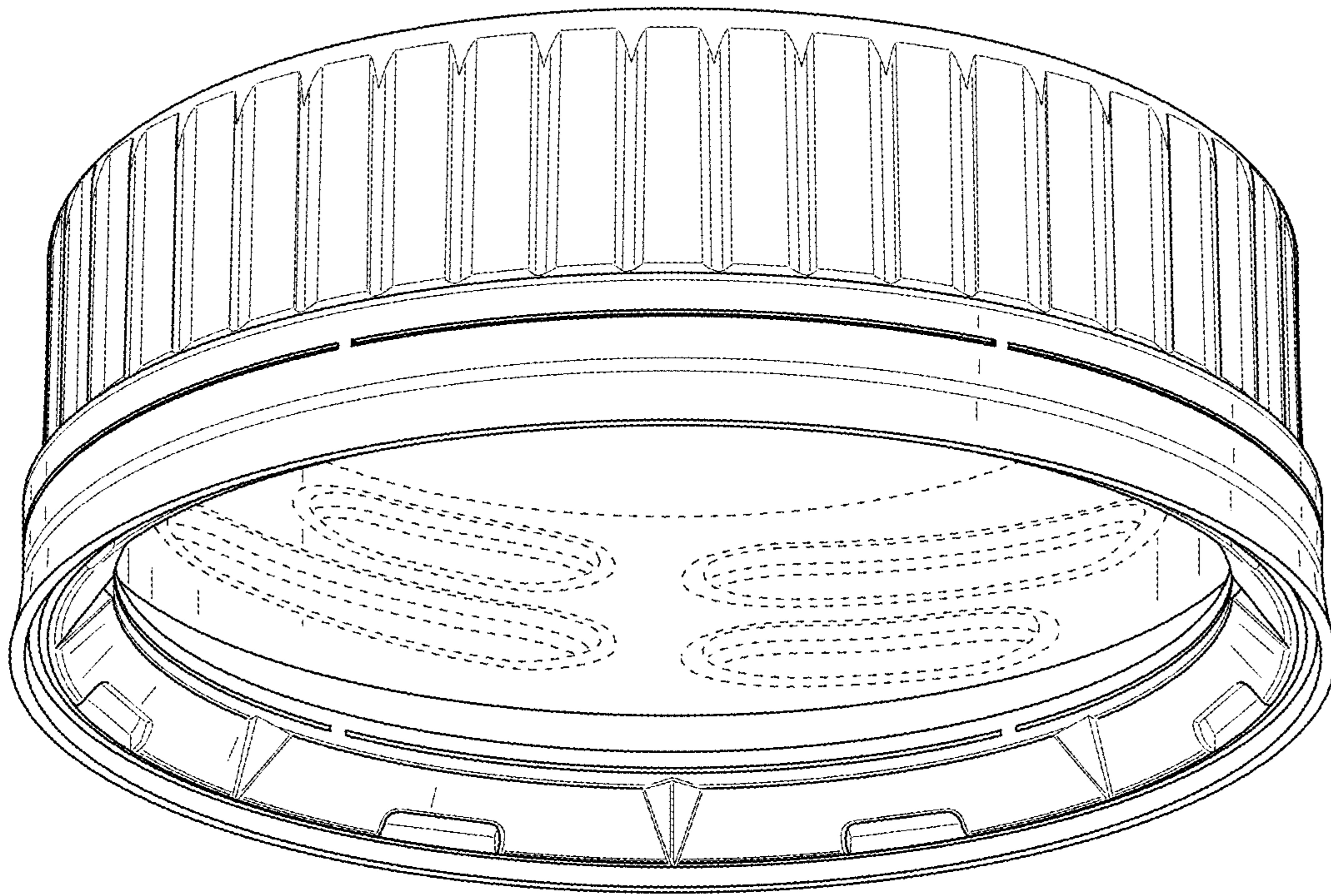


FIG. 6