



US00D922195S

(12) **United States Design Patent**
Altman et al.

(10) **Patent No.:** **US D922,195 S**
(45) **Date of Patent:** **** Jun. 15, 2021**

(54) **CHILD-RESISTANT CONTAINER**
(71) Applicant: **RIPA, LLC**, Broadview, IL (US)
(72) Inventors: **Jason Altman**, Los Angeles, CA (US);
Hector Lemos, San Gabriel, CA (US)
(73) Assignee: **RIPA, LLC**, Broadview, IL (US)
(**) Term: **15 Years**

(21) Appl. No.: **29/698,530**
(22) Filed: **Jul. 17, 2019**
(51) **LOC (13) Cl.** **09-03**
(52) **U.S. Cl.**
USPC **D9/432**
(58) **Field of Classification Search**
USPC D3/20, 207, 212, 230, 247; D9/414, 420,
D9/423, 432, 433, 456, 652, 711, 721;
D19/1, 10, 106; D27/101, 172, 175, 186,
D27/187, 189, 191, 193
CPC .. B42D 15/045; B42D 15/022; B42D 15/027;
B42D 15/042; A24F 13/14; A24F 9/16;
A24F 15/00; A24F 15/12; A24F 15/14;
A24F 15/18; A24F 15/005; A24F 15/20;
A24F 23/00; A24F 23/04; A63H 3/18;
B42F 7/02; B42F 7/06; B65D 5/56;
B65D 5/66; B65D 5/64; B65D 5/541;
B65D 5/4204; B65D 5/4233; B65D
5/4258; B65D 5/5213; B65D 73/0007;
B65D 73/0092
See application file for complete search history.

(56) **References Cited**
U.S. PATENT DOCUMENTS
625,757 A * 5/1899 Groneman B65D 5/38
229/125.125
1,540,553 A * 6/1925 Graham A24F 15/18
206/92
2,231,726 A * 2/1941 Looke, Jr. B65D 5/48002
206/353

3,987,891 A * 10/1976 Horvath B65D 11/12
206/1.5
4,401,210 A * 8/1983 Anjou B65D 11/12
206/1.5
4,561,544 A * 12/1985 Reeve B65D 11/12
206/1.5
4,741,433 A * 5/1988 Irvine B65D 55/02
206/1.5

(Continued)

FOREIGN PATENT DOCUMENTS

CN 2020-30131296.7 * 9/2020

OTHER PUBLICATIONS

Grow Cargo Child Resistant Slide Boxes: Site Visited [Nov. 18, 2020, online]. Available from Internet URL: <https://growcargo.com/products/child-resistant-certified-biodegradable-exit-boxes> (Year: 2020).*

(Continued)

Primary Examiner — Catherine S Posthauer
Assistant Examiner — Riah D Buchanan
(74) *Attorney, Agent, or Firm* — Nixon Peabody LLP

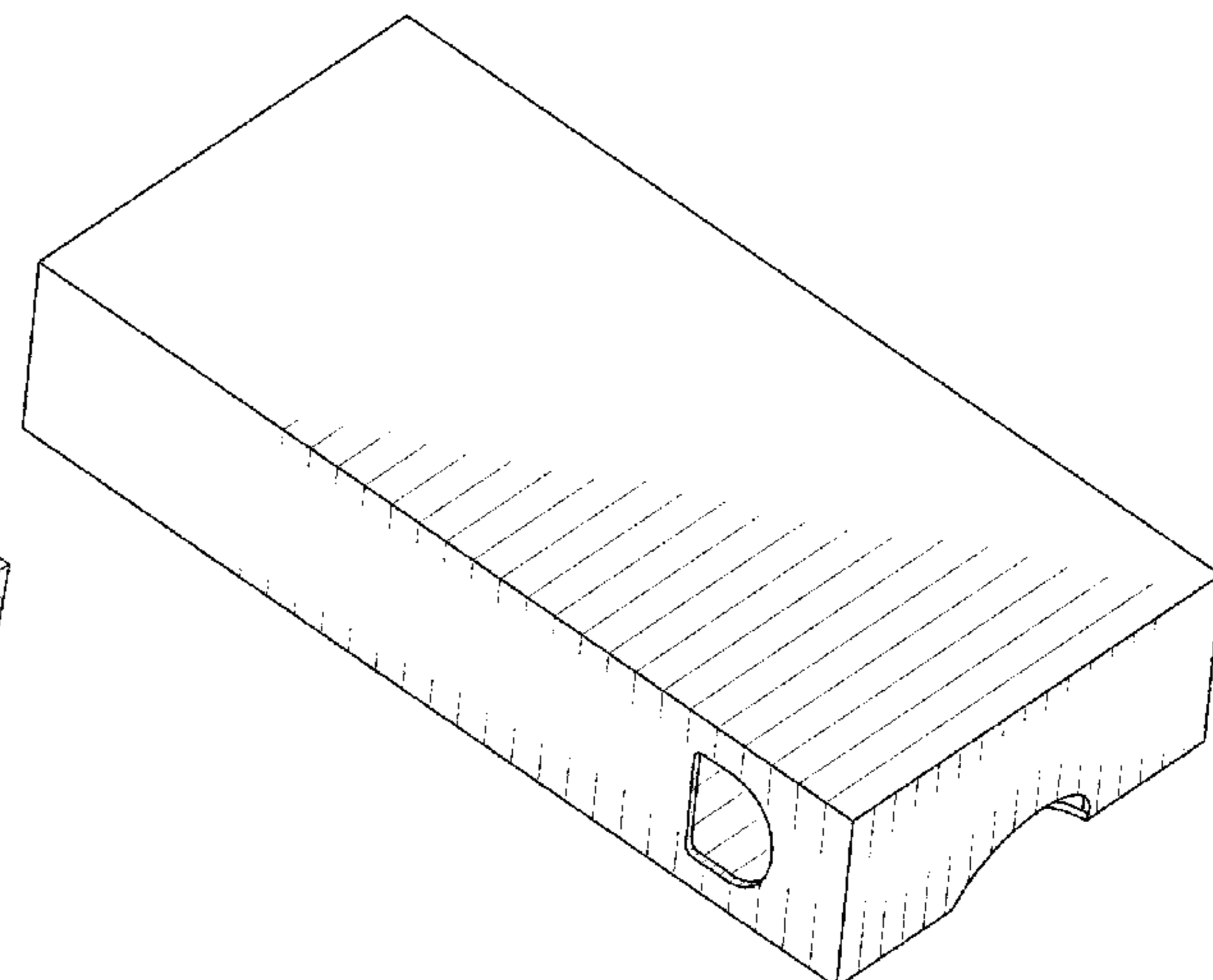
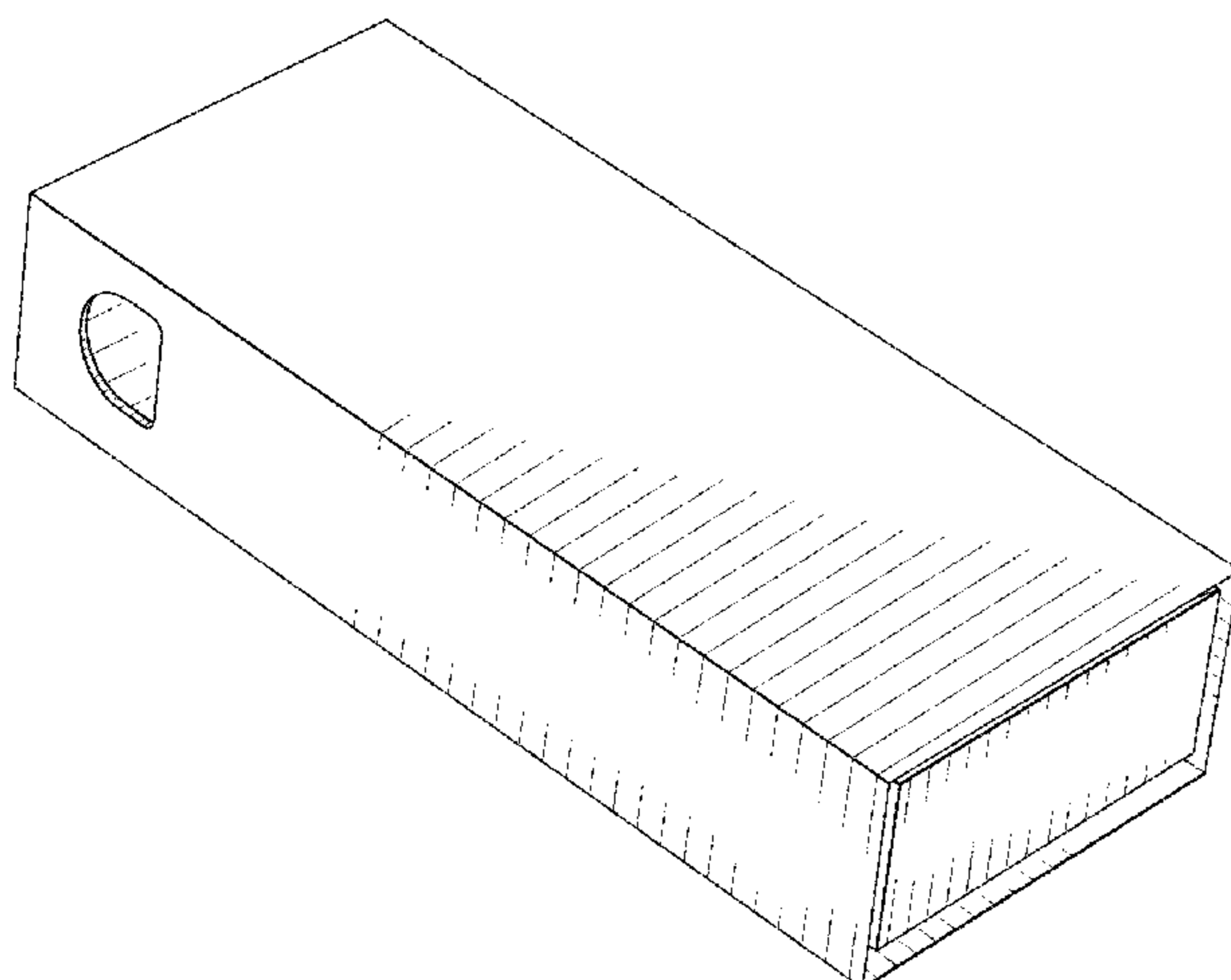
(57) **CLAIM**

The ornamental design for a child-resistant container, as shown and described.

DESCRIPTION

FIG. 1 is a front perspective view of a child-resistant container, showing our new design.
FIG. 2 is a back perspective view thereof.
FIG. 3 is a front elevation view thereof.
FIG. 4 is a back elevation view thereof.
FIG. 5 is a side elevation view thereof, the opposing side being identical thereof.
FIG. 6 is a bottom plan view thereof; and,
FIG. 7 is a top plan view thereof.
The broken lines are shown for the purpose of illustrating parts of the article that form no part of the claim.

1 Claim, 4 Drawing Sheets



(56)

References Cited

U.S. PATENT DOCUMENTS

4,844,284 A * 7/1989 Drozd B65D 50/045
 220/281
 6,491,211 B1 * 12/2002 Evans B65D 5/38
 206/532
 D594,742 S * 6/2009 Meier D9/432
 D674,691 S * 1/2013 Martineck D9/432
 D702,116 S * 4/2014 Buchanan D9/416
 D747,190 S * 1/2016 DeLaGrange D9/432
 D795,083 S * 8/2017 Safiullin D9/756
 D831,495 S * 10/2018 Papiernik-Berkhauer D9/560
 D834,408 S * 11/2018 Hon D9/418
 D863,056 S * 10/2019 Luna D9/432
 D867,129 S * 11/2019 Chambers D9/432
 10,518,927 B2 * 12/2019 Chambers B65D 5/6664
 D878,196 S * 3/2020 Tsai D9/432
 D878,197 S * 3/2020 Griffin D9/432
 D899,247 S * 10/2020 Kilduff D9/432

2004/0099565 A1 * 5/2004 Dehlin B65D 50/046
 206/536
 2011/0186469 A1 * 8/2011 Sack B65D 83/04
 206/531
 2016/0001937 A1 * 1/2016 Skinner B65D 5/38
 206/1.5
 2016/0251107 A1 * 9/2016 Everett B65D 5/38
 206/1.5
 2017/0036808 A1 * 2/2017 Everett B65D 5/38
 2019/0062023 A1 * 2/2019 Lantz B65D 75/327
 2020/0087020 A1 * 3/2020 Tsai B65D 5/4266
 2020/0087021 A1 * 3/2020 Tsai B65D 50/045
 2020/0102113 A1 * 4/2020 Laughlin B65D 5/321

OTHER PUBLICATIONS

Grow Cargo Child Resistant Slide Box: Site Visited [Nov. 18, 2020, online]. Available from Internet URL: <https://growcargo.com/products/child-resistant-certified-biodegradable-exit-boxes> (Year: 2019).*

* cited by examiner

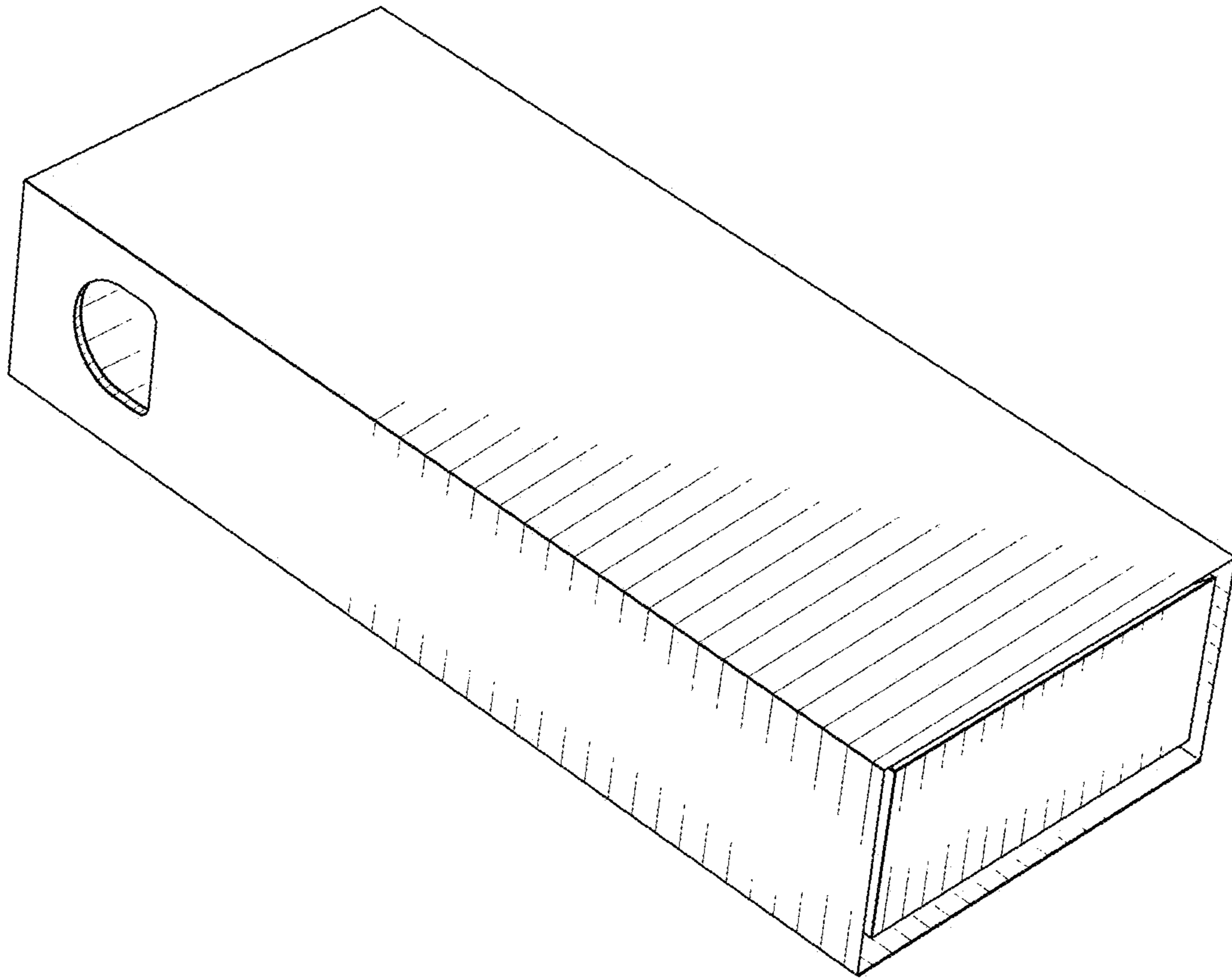


Fig. 1

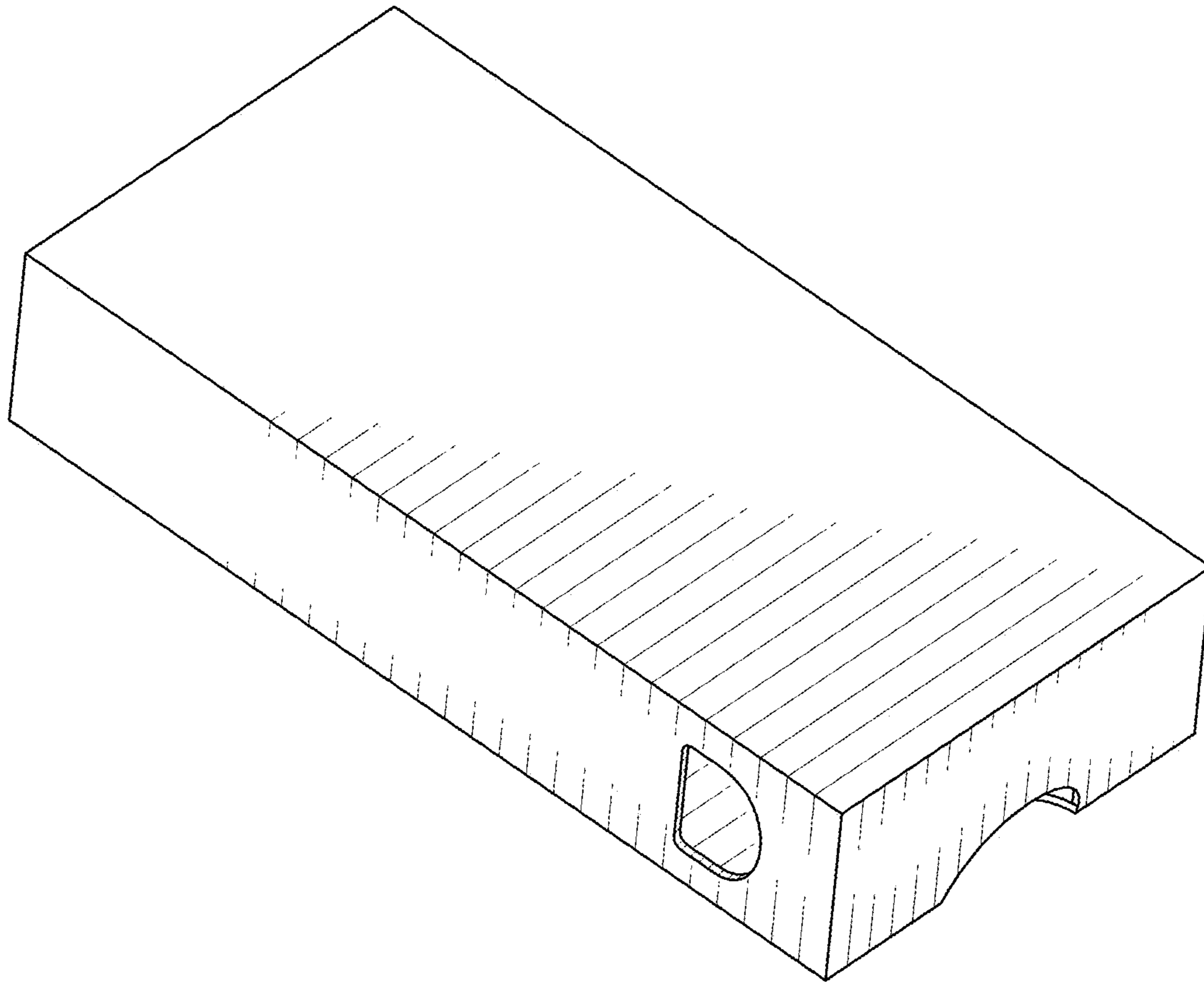


Fig. 2

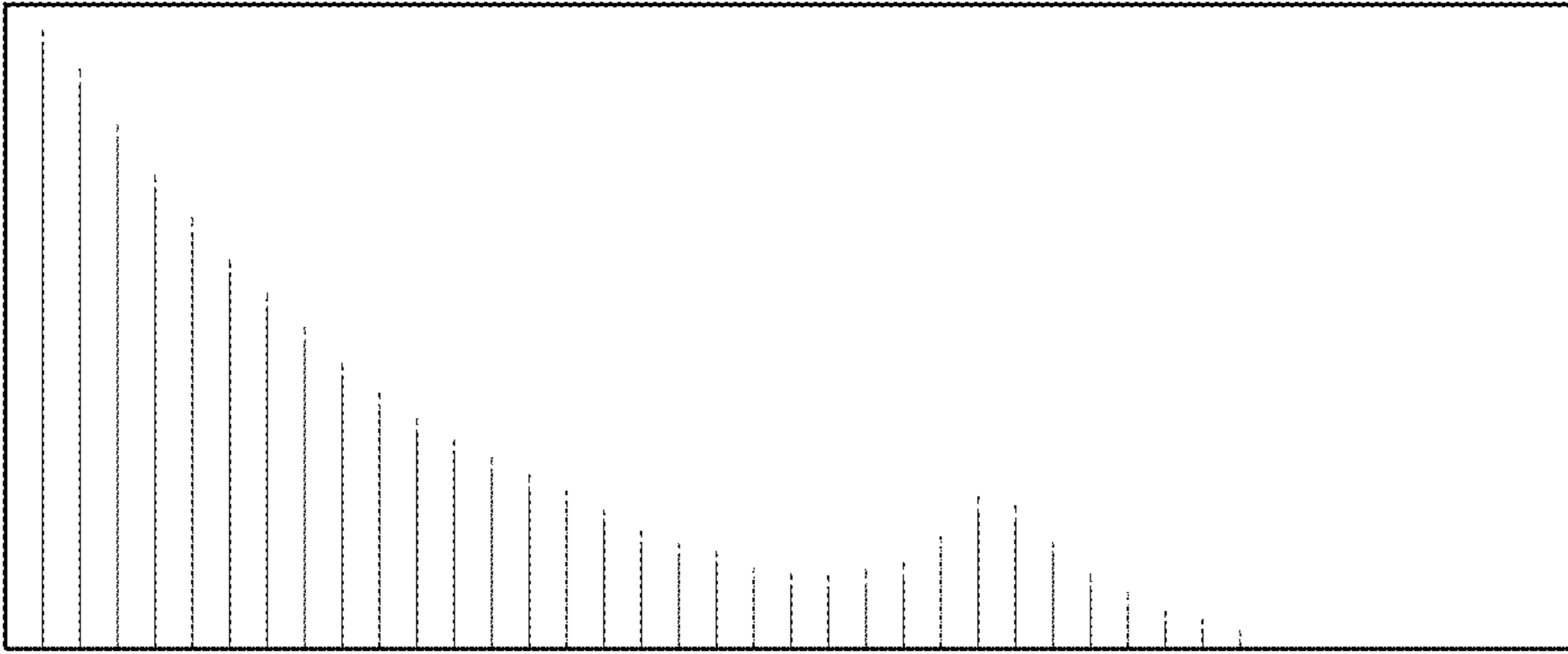


Fig. 3

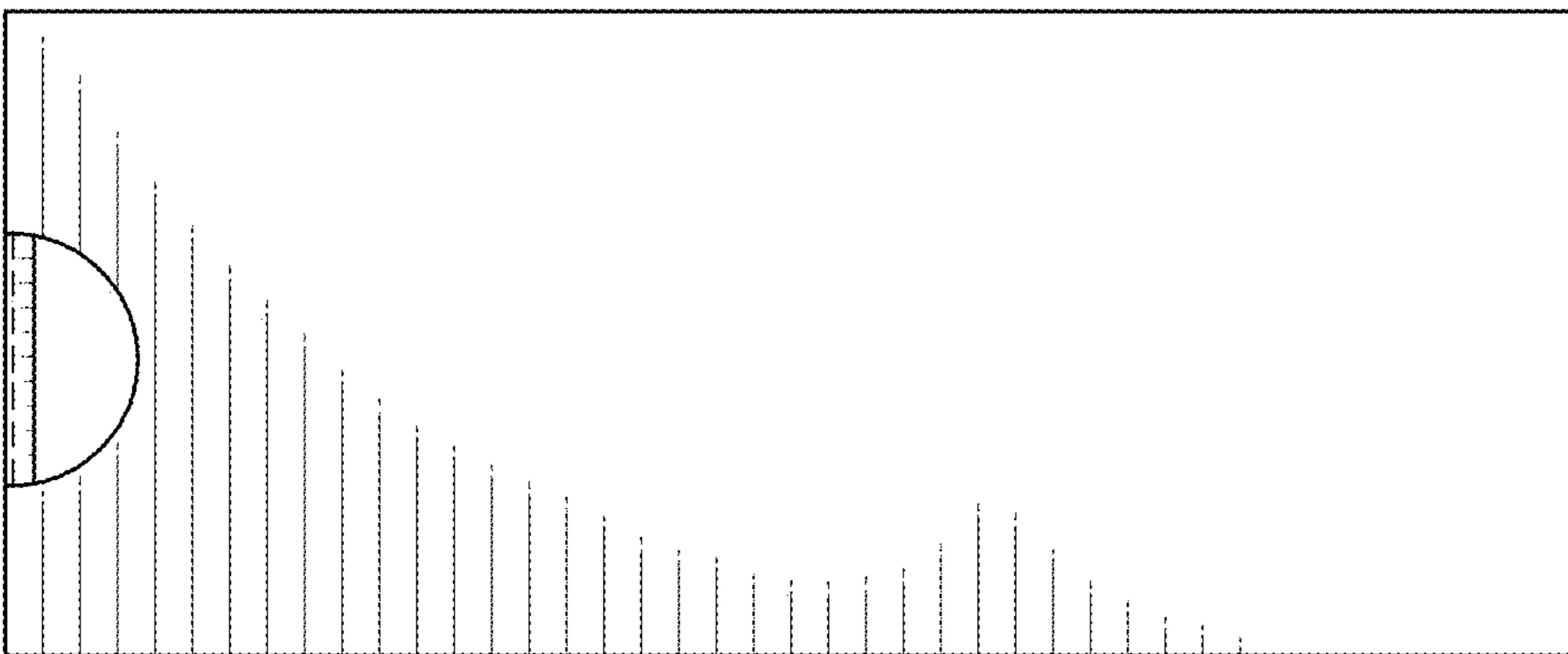


Fig. 4

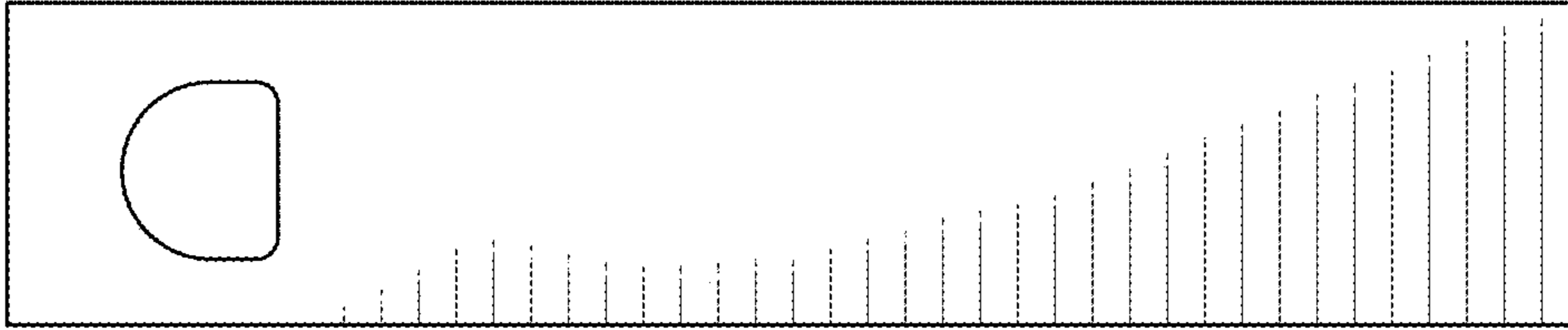


Fig. 5

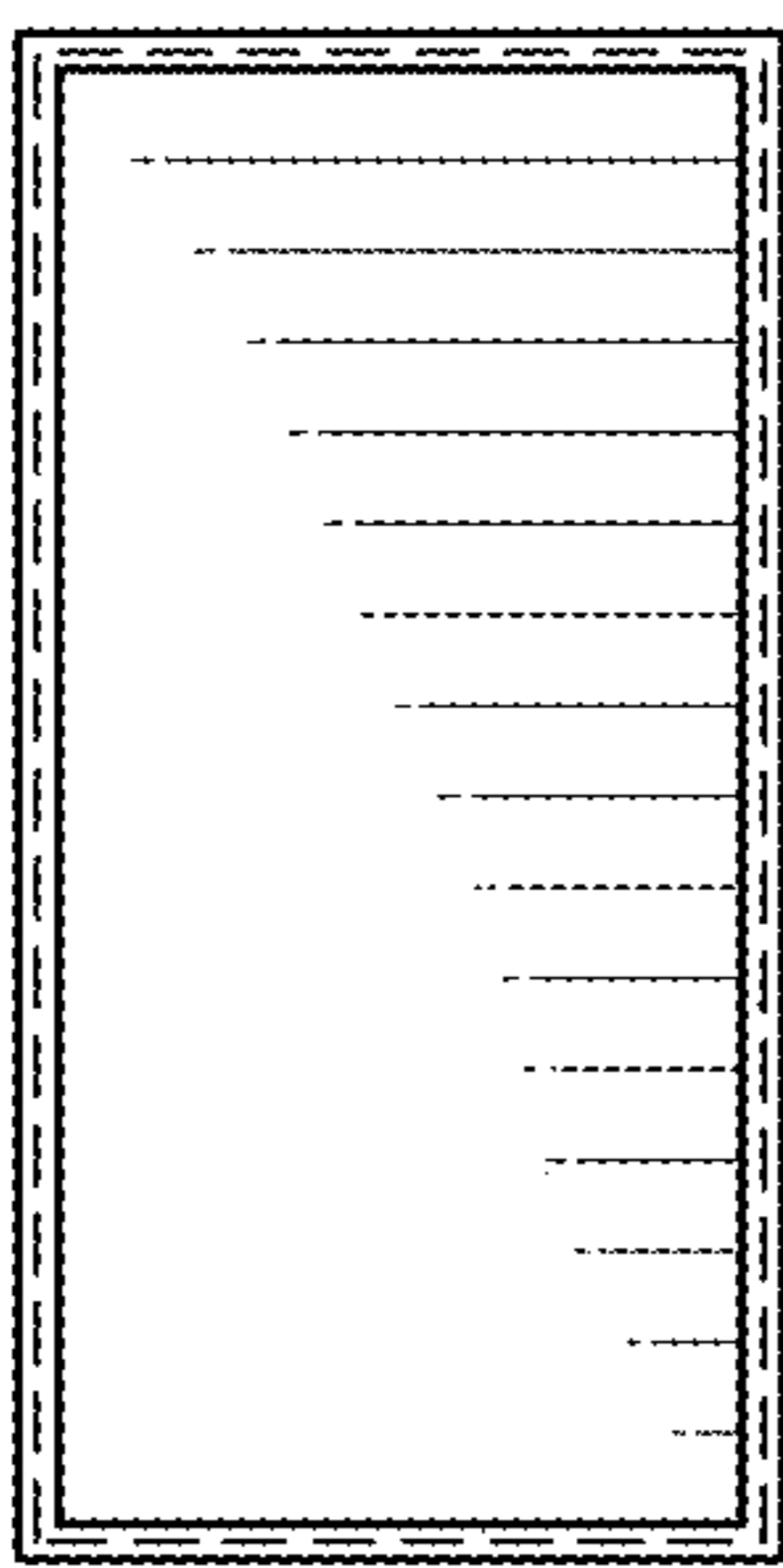


Fig. 6

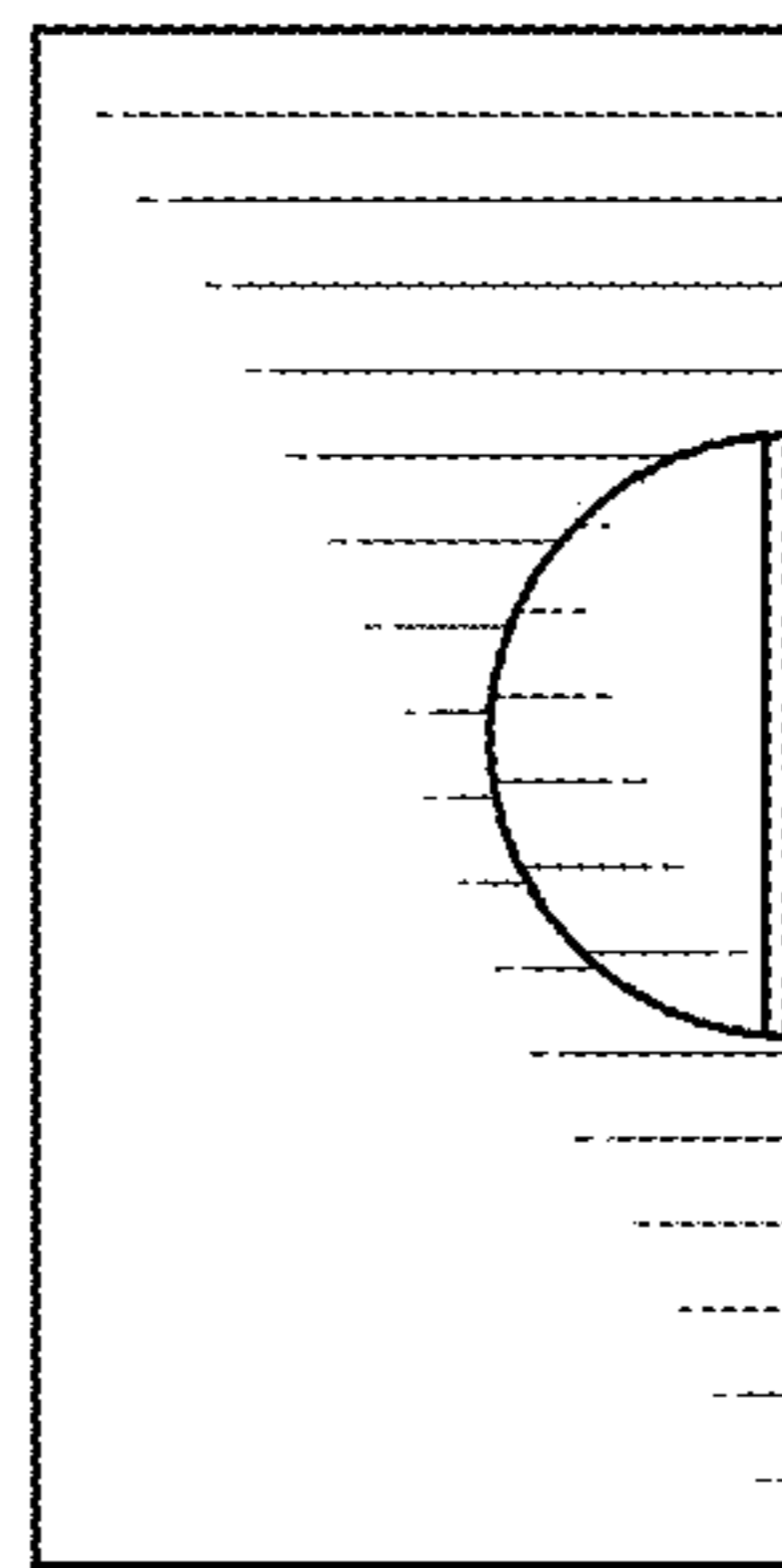


Fig. 7