



US00D922193S

(12) **United States Design Patent** (10) **Patent No.:** **US D922,193 S**  
**Coulson et al.** (45) **Date of Patent:** **\*\* \*Jun. 15, 2021**

(54) **PACKAGE**

- (71) Applicant: **Reckitt Benckiser Health Limited**,  
Slough (GB)
- (72) Inventors: **Jordan Coulson**, Hull (GB); **Thomas Kenworthy**, Slough (GB); **Paul Scott**,  
Slough (GB)
- (73) Assignee: **RECKITT BENCKISER HEALTH LIMITED**, Slough (GB)
- (\*) Notice: This patent is subject to a terminal disclaimer.
- (\*\*) Term: **15 Years**
- (21) Appl. No.: **29/723,361**
- (22) Filed: **Feb. 6, 2020**
- (30) **Foreign Application Priority Data**

Aug. 9, 2019 (EM) ..... 006693800-0003

(51) **LOC (13) Cl.** ..... **09-03**

(52) **U.S. Cl.**  
USPC ..... **D9/426**

(58) **Field of Classification Search**  
USPC ..... D7/601, 602; D9/420, 425-432, 652,  
D9/737, 761  
CPC ... B65D 1/00; B65D 1/26; B65D 1/34; B65D  
1/40; B65D 11/00; B65D 11/20; B65D  
21/00; B65D 21/02; B65D 21/0209;  
B65D 21/0233; B65D 81/34; B65D  
81/3446; B65D 81/3453; B65D 2581/34;  
B65D 2581/3404; B65D 2581/3409

See application file for complete search history.

(56) **References Cited**

U.S. PATENT DOCUMENTS

D285,414 S *	9/1986	Goetz .....	D28/83
D369,097 S *	4/1996	Dinand .....	D9/529
D373,952 S *	9/1996	Exarhos .....	D28/83
D418,759 S *	1/2000	Holmstrom .....	D9/528
6,199,559 B1 *	3/2001	Nikolaus .....	A45C 13/008 132/293
D478,689 S *	8/2003	Thorpe .....	D28/83
D479,016 S *	8/2003	Sgariboldi .....	D28/78
D531,025 S *	10/2006	Tanner .....	D9/426
D567,032 S *	4/2008	Gilbert .....	D7/629
D642,908 S *	8/2011	Fine .....	D9/426
D694,645 S *	12/2013	Limback .....	D9/652

\* cited by examiner

*Primary Examiner* — Janice Patyk

(74) *Attorney, Agent, or Firm* — Troutman Pepper  
Hamilton Sanders LLP; Ryan Schneider; Chris N. Davis

(57) **CLAIM**

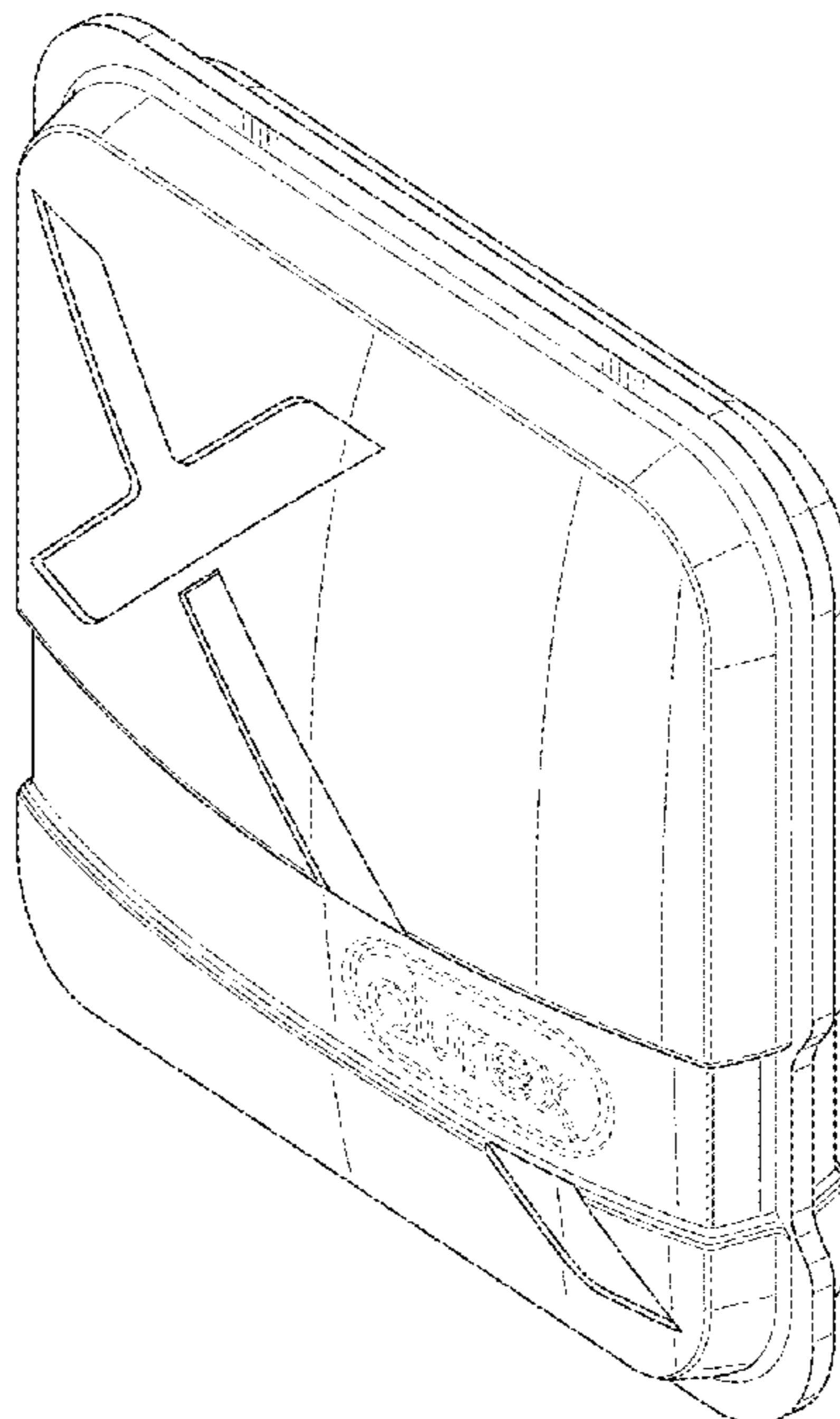
The ornamental design for a package, as shown and described.

**DESCRIPTION**

FIG. 1 is a perspective view of our new design for a package;  
FIG. 2 is a front elevation view thereof;  
FIG. 3 is a rear elevation view thereof;  
FIG. 4 is a left side elevation view thereof;  
FIG. 5 is a right side elevation view thereof;  
FIG. 6 is a top plan view thereof; and,  
FIG. 7 is a bottom plan view thereof.

The broken lines in the drawings are included for the purpose of illustrating portions of the package that form no part of the claimed design.

**1 Claim, 5 Drawing Sheets**



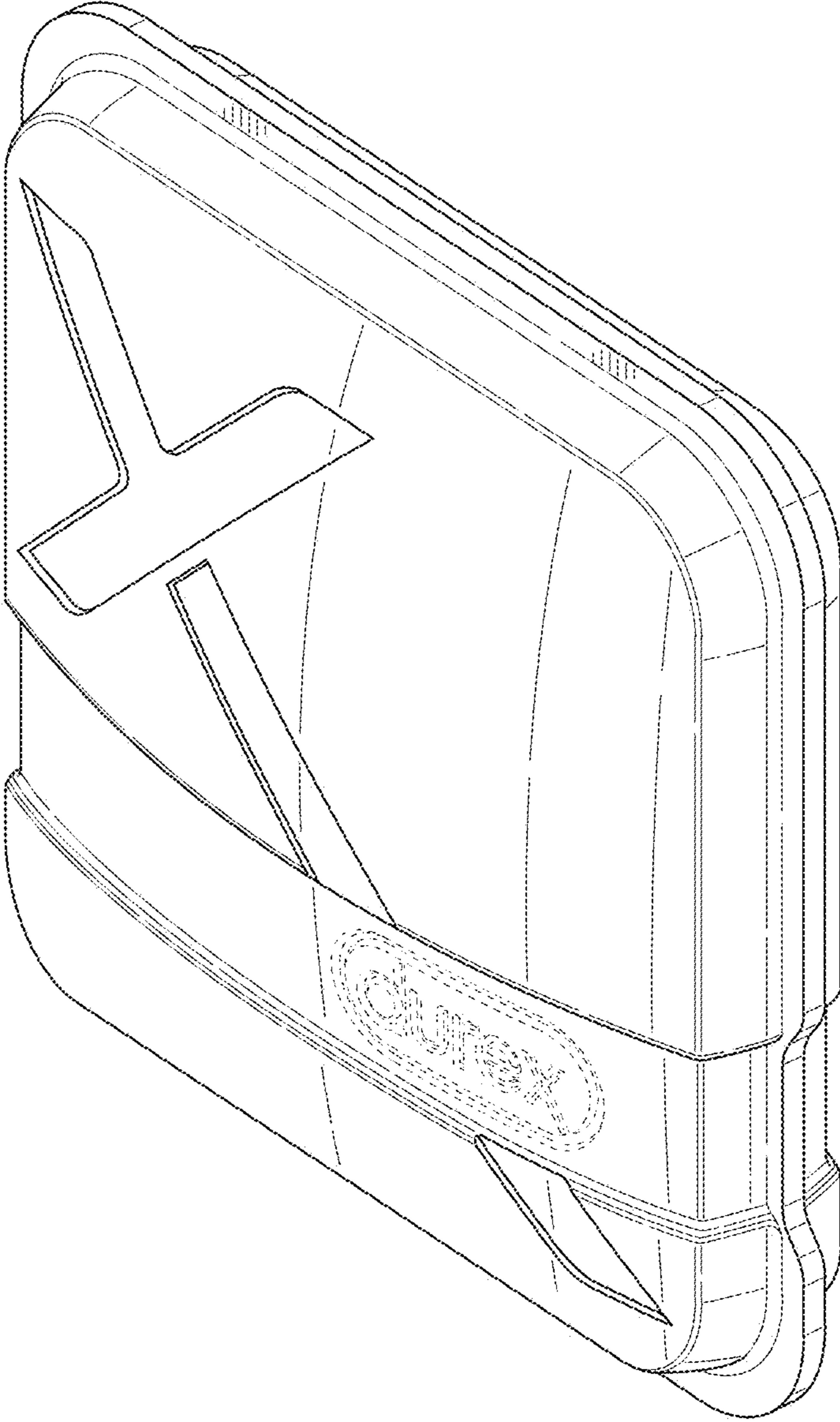


Fig. 1

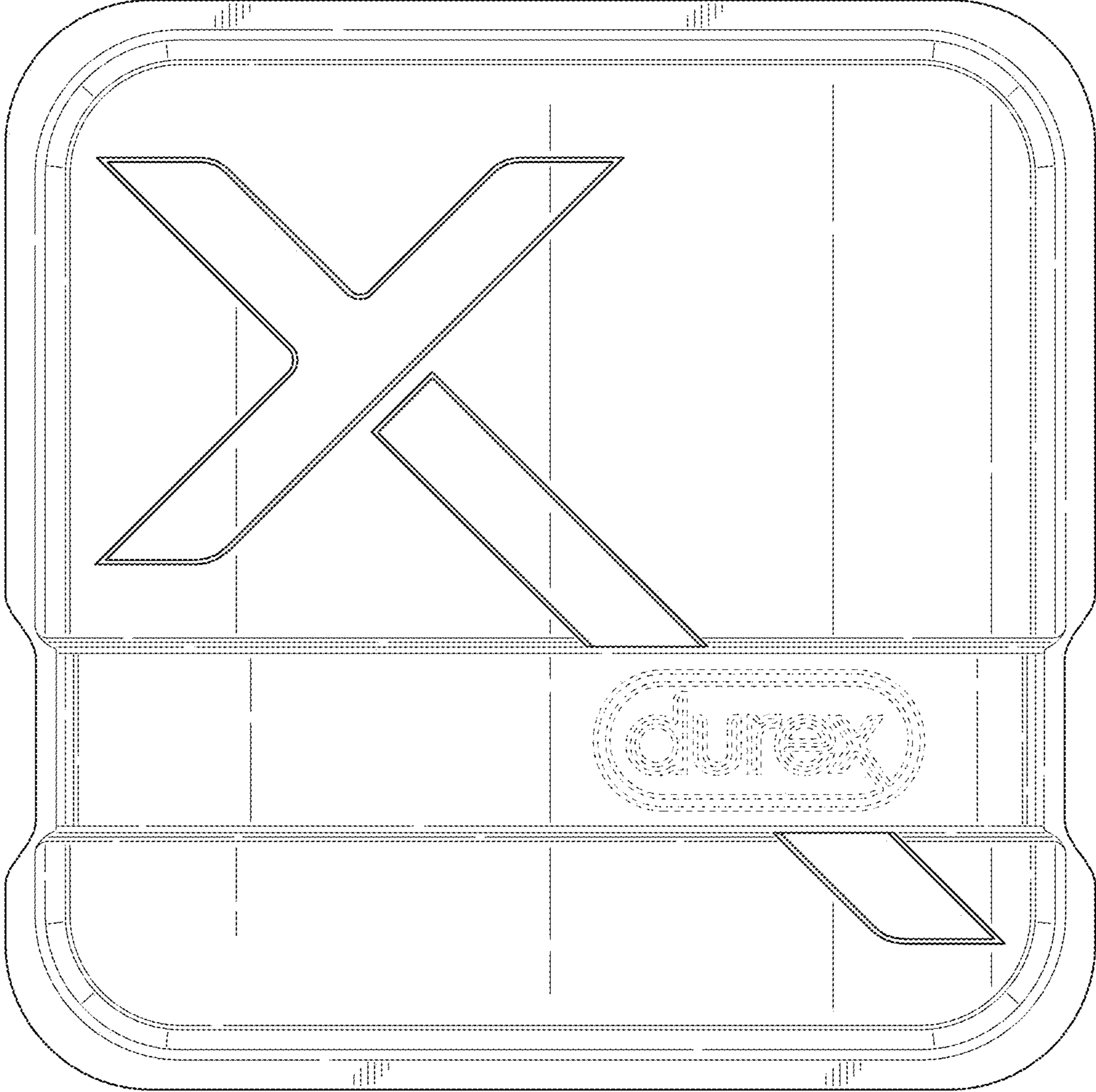


Fig. 2

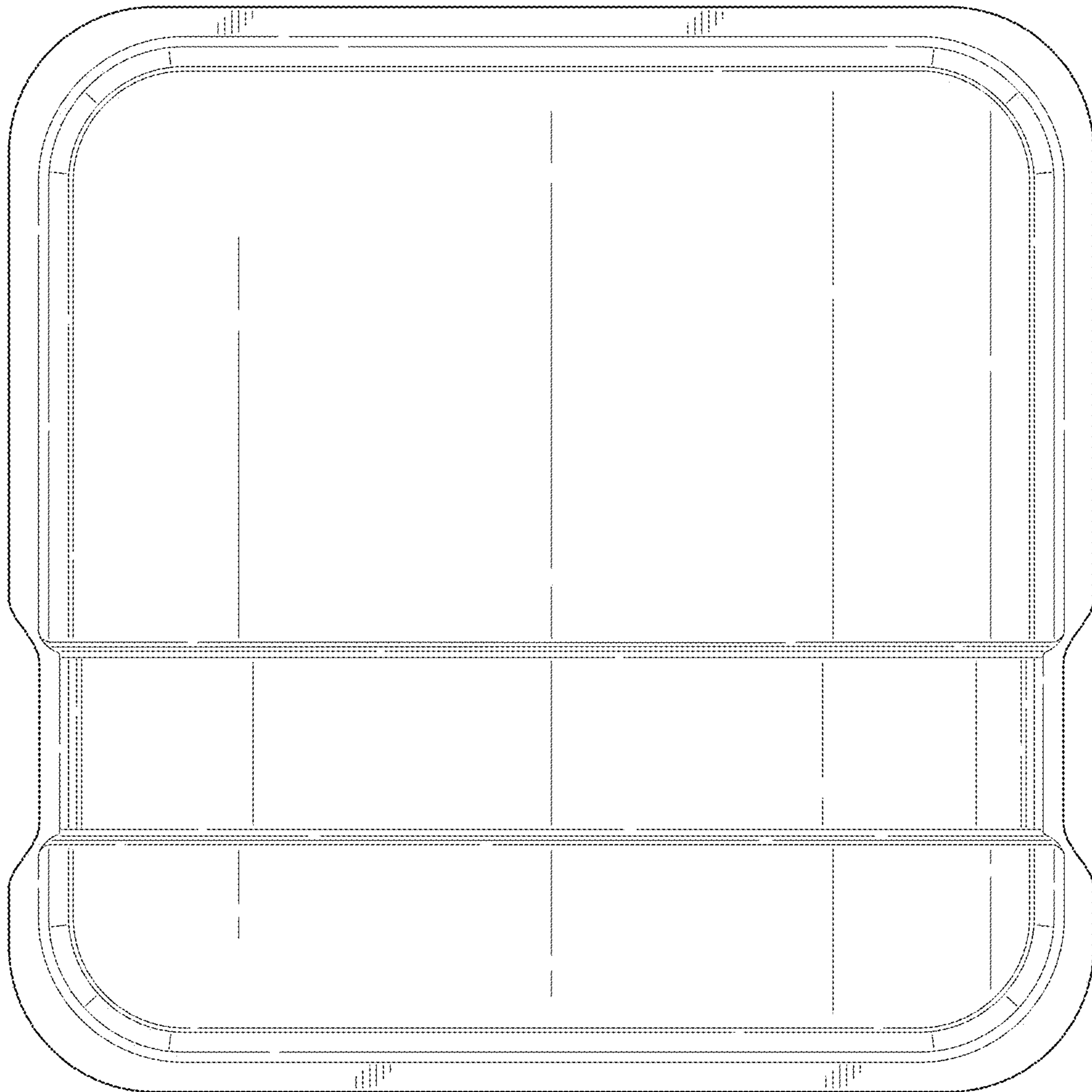


Fig. 3



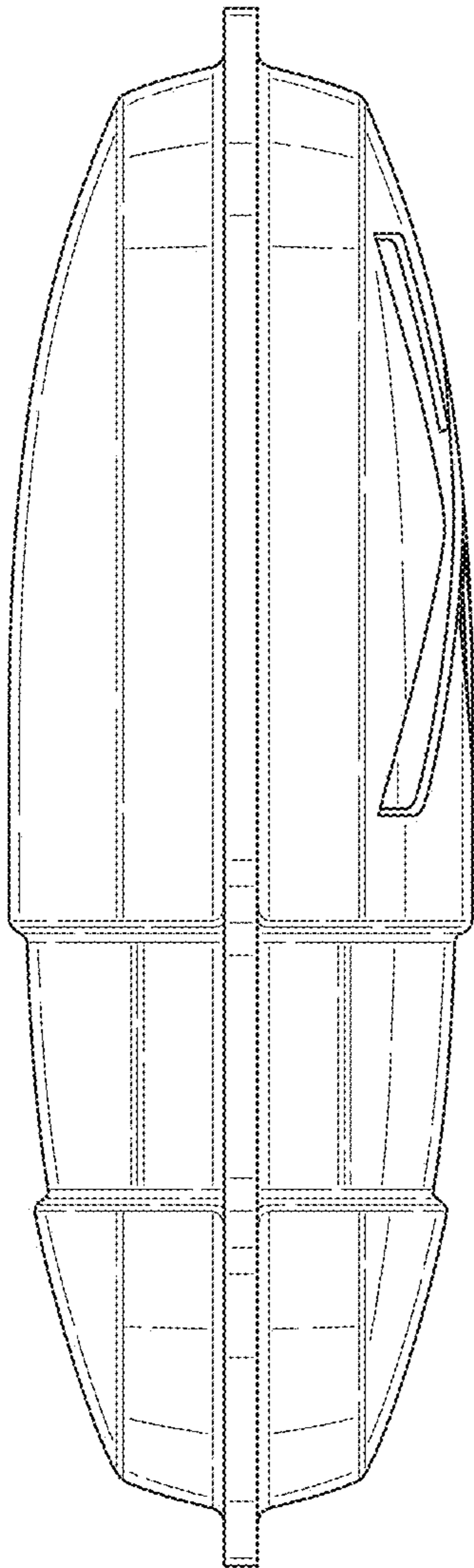


Fig. 4

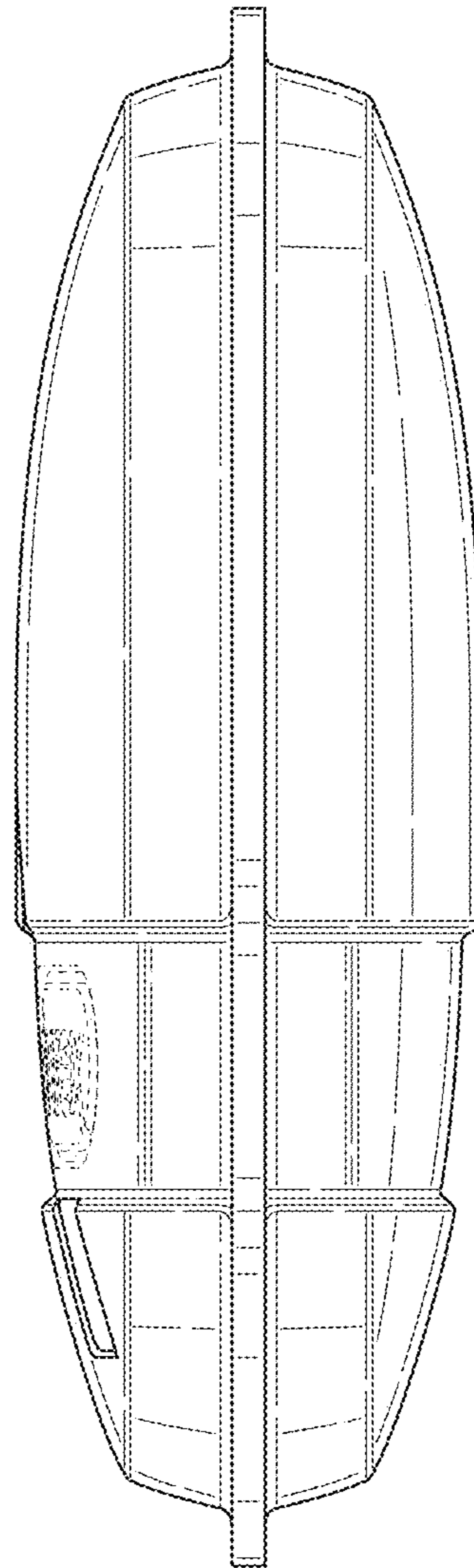


Fig. 5

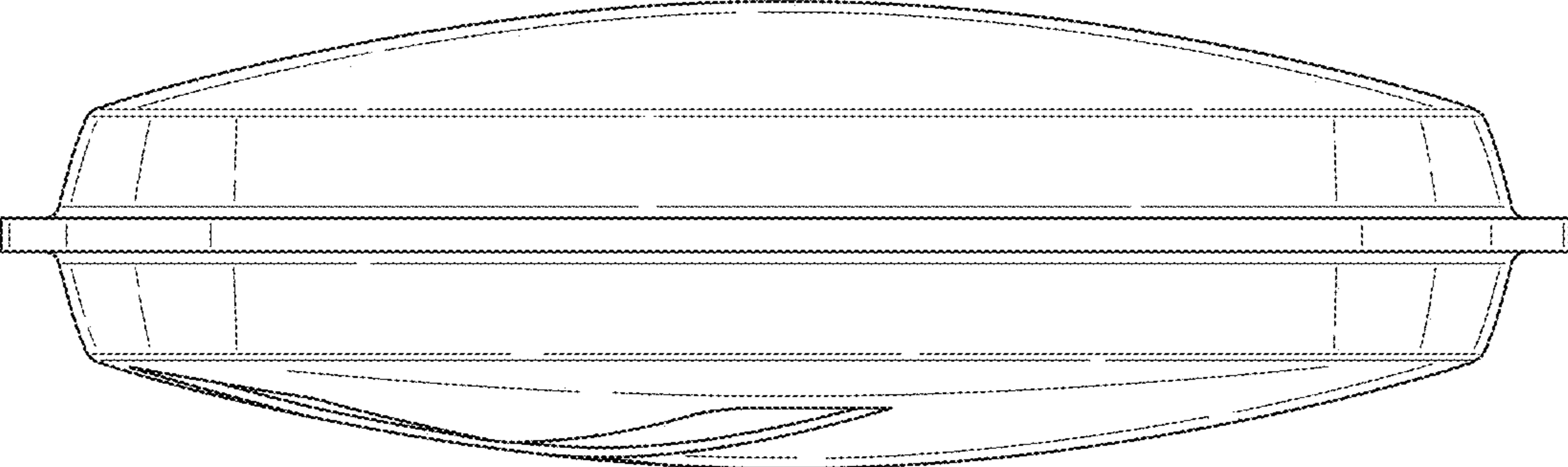


Fig. 6

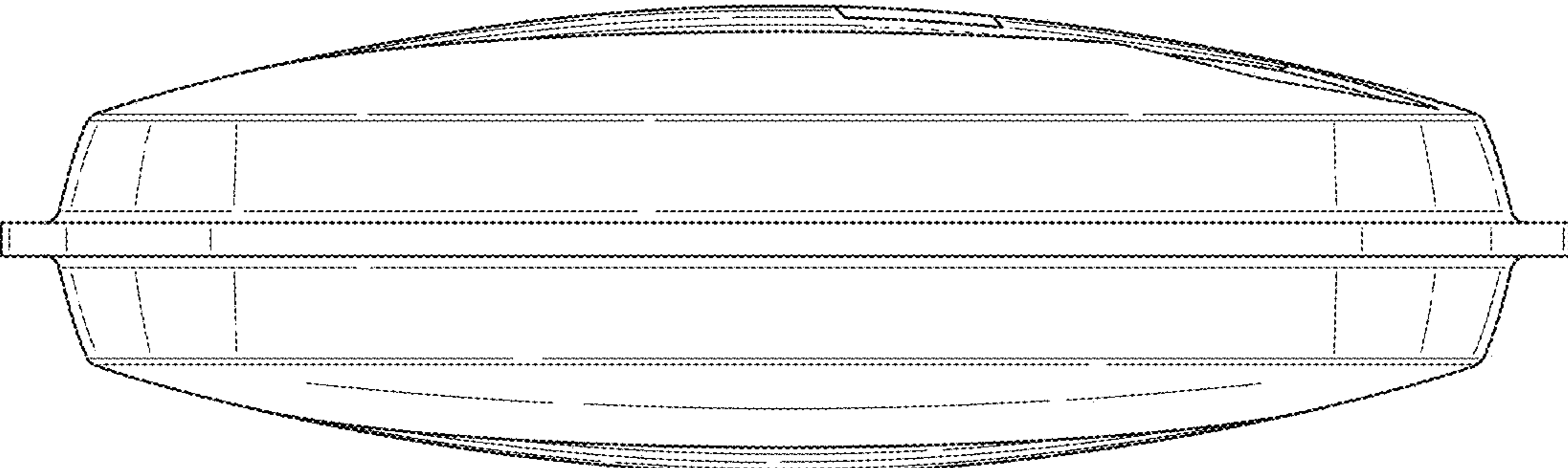


Fig. 7