



US00D922190S

(12) **United States Design Patent** (10) **Patent No.:** **US D922,190 S**
McCumber (45) **Date of Patent:** **** Jun. 15, 2021**

(54) **CONTAINER BASE**

(71) Applicant: **Placon Corporation**, Madison, WI
(US)

(72) Inventor: **Donald E. McCumber**, Madison, WI
(US)

(73) Assignee: **Placon Corporation**, Madison, WI
(US)

(**) Term: **15 Years**

(21) Appl. No.: **29/722,543**

(22) Filed: **Jan. 30, 2020**

(51) **LOC (13) Cl.** **09-03**

(52) **U.S. Cl.**
USPC **D9/425**

(58) **Field of Classification Search**
USPC D7/400, 601, 608; D9/416, 417, 420,
D9/425-429, 430, 432, 761
CPC . B65D 1/26; B65D 1/40; B65D 5/243; B65D
81/3453; B65D 2581/34; B65D
2581/3404; B65D 2581/3456
See application file for complete search history.

(56) **References Cited**

U.S. PATENT DOCUMENTS

7,118,003	B2 *	10/2006	Sellari	B65D 43/021	220/266
D556,569	S *	12/2007	Stein	D9/424	
D634,188	S *	3/2011	Sellari	D9/424	
D644,924	S *	9/2011	Lin	D9/429	
D668,538	S *	10/2012	Knutson	D9/429	
D671,403	S *	11/2012	Ronan	D9/427	
D791,587	S *	7/2017	Buck	D9/428	

D795,688	S *	8/2017	Buck	D9/428	
D847,555	S *	5/2019	Berge	D7/325	
2010/0140267	A1 *	6/2010	Sellari	B65D 43/0241	220/270

OTHER PUBLICATIONS

“Parfait Cups”, Lacerta Group, Inc., <http://lacerta.com/parfait-cups-3/>, accessed on and available at least as early as Feb. 5, 2020.
“Grab & Go Offerings”, InLine Plastics Corp., pp. 1-3, accessed on and available at least as early as Feb. 6, 2020.
“Safe-T-Fresh® Snack Cups”, InLine Plastics Corp., accessed on and available at least as early as Feb. 5, 2020.

* cited by examiner

Primary Examiner — Janice Patyk
(74) *Attorney, Agent, or Firm* — Stiennon & Stiennon

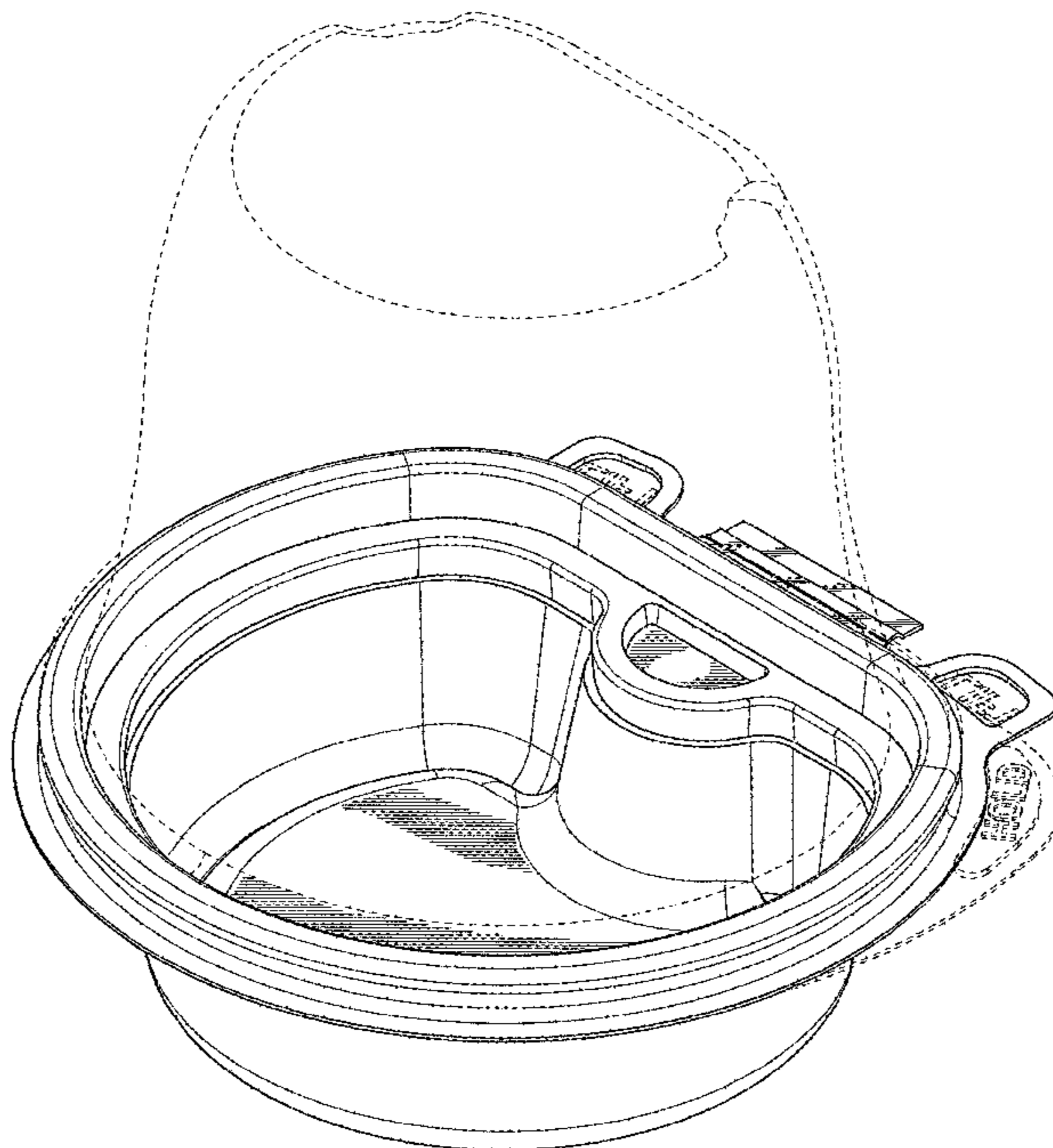
(57) **CLAIM**

The ornamental design for a container base, as shown and described.

DESCRIPTION

FIG. 1 is a top isometric view of a container base, showing my new design;
FIG. 2 is a right side elevational view thereof, the left side elevational view being a mirror image thereof;
FIG. 3 is a rear elevational view thereof;
FIG. 4 is a top plan view thereof;
FIG. 5 is a front elevational view thereof; and,
FIG. 6 is a bottom plan view thereof.
The broken lines in the figures illustrate the portions of the design that form no part of the claimed design. The broken lines lid in the figures illustrate environmental subject matter that form no part of the claimed design. The heavy broken lines on the rear tab in FIGS. 4 and 6 are included to show unclaimed perforations on the article.

1 Claim, 6 Drawing Sheets



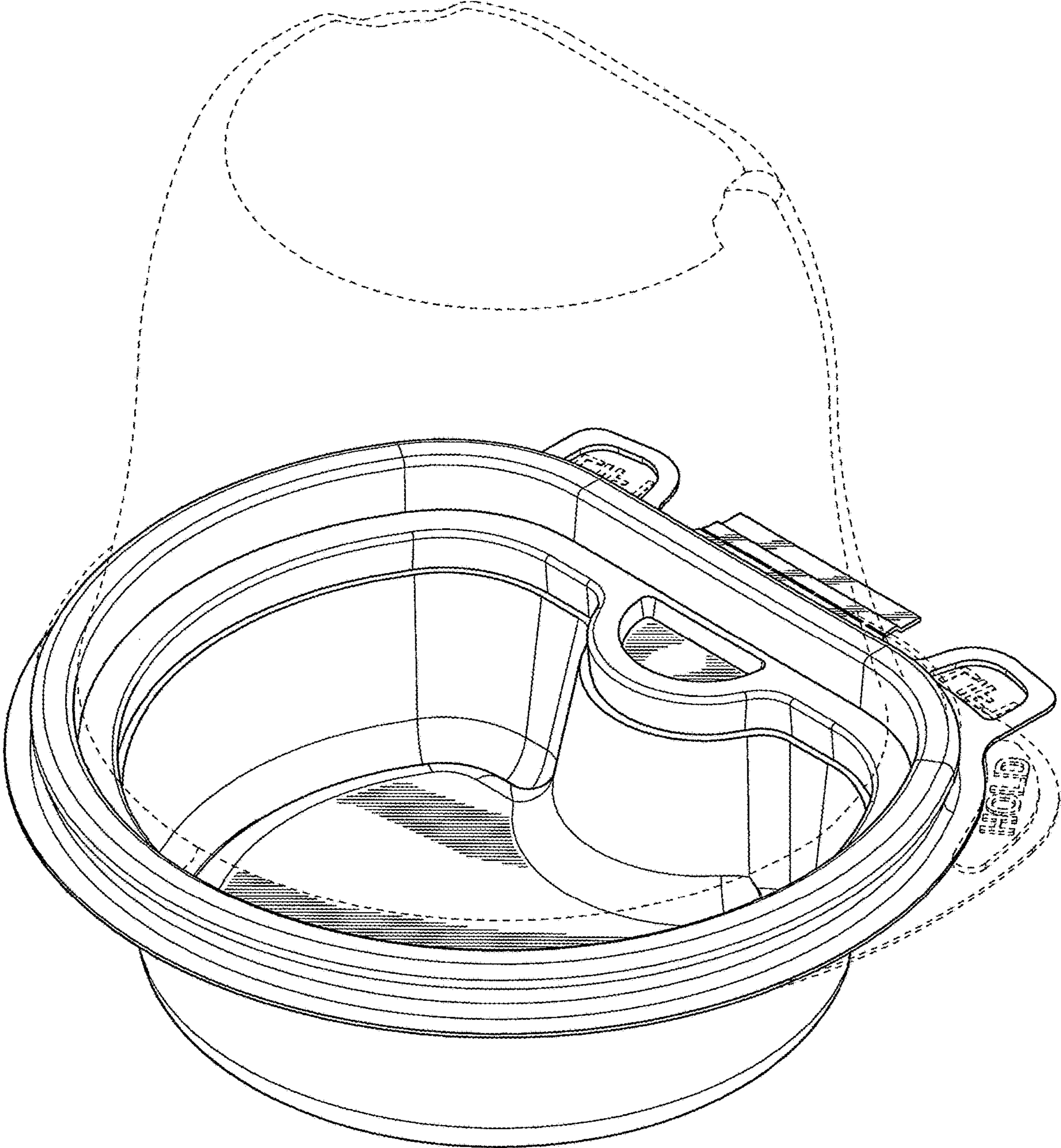


Fig.1

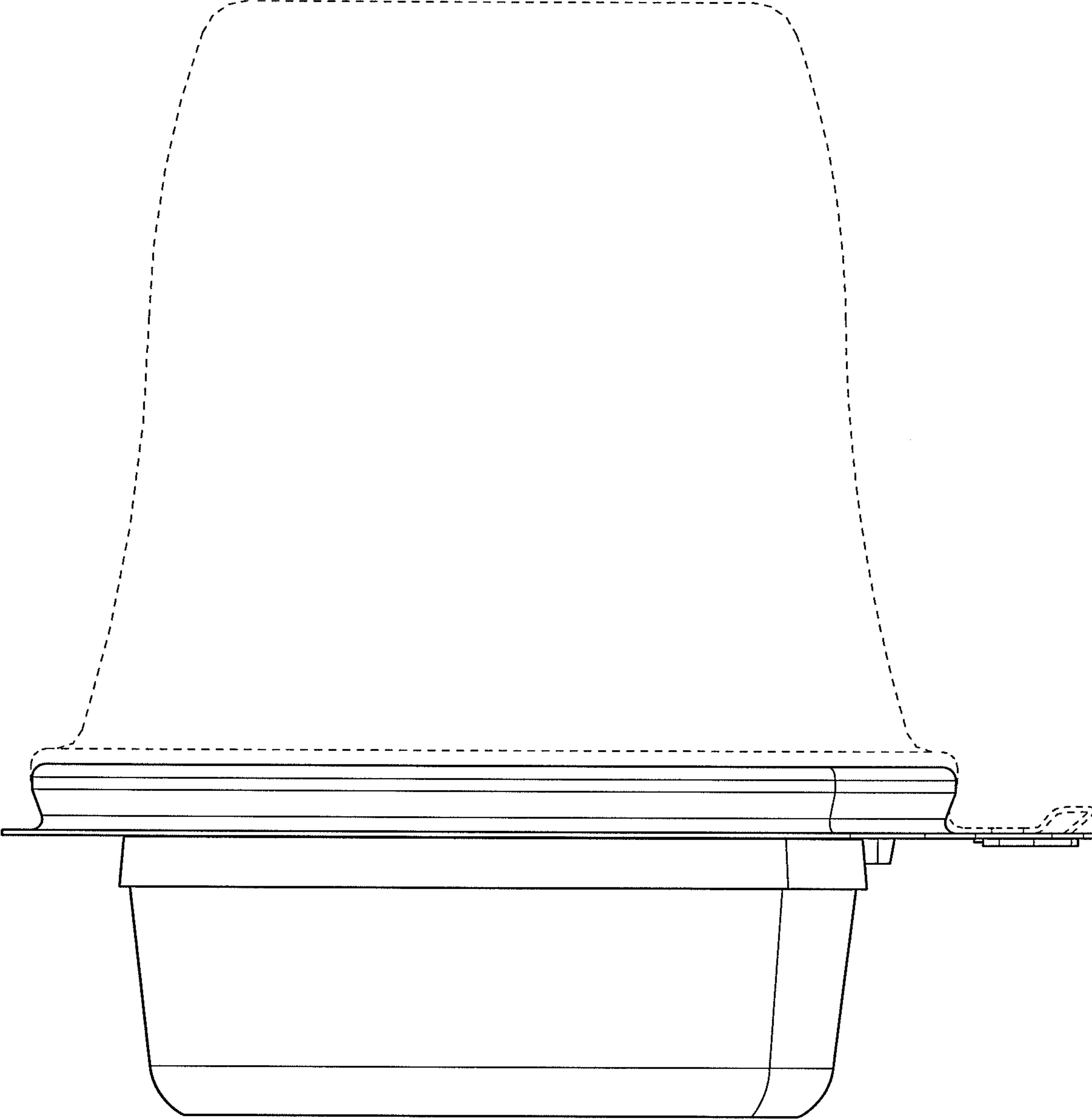


Fig.2

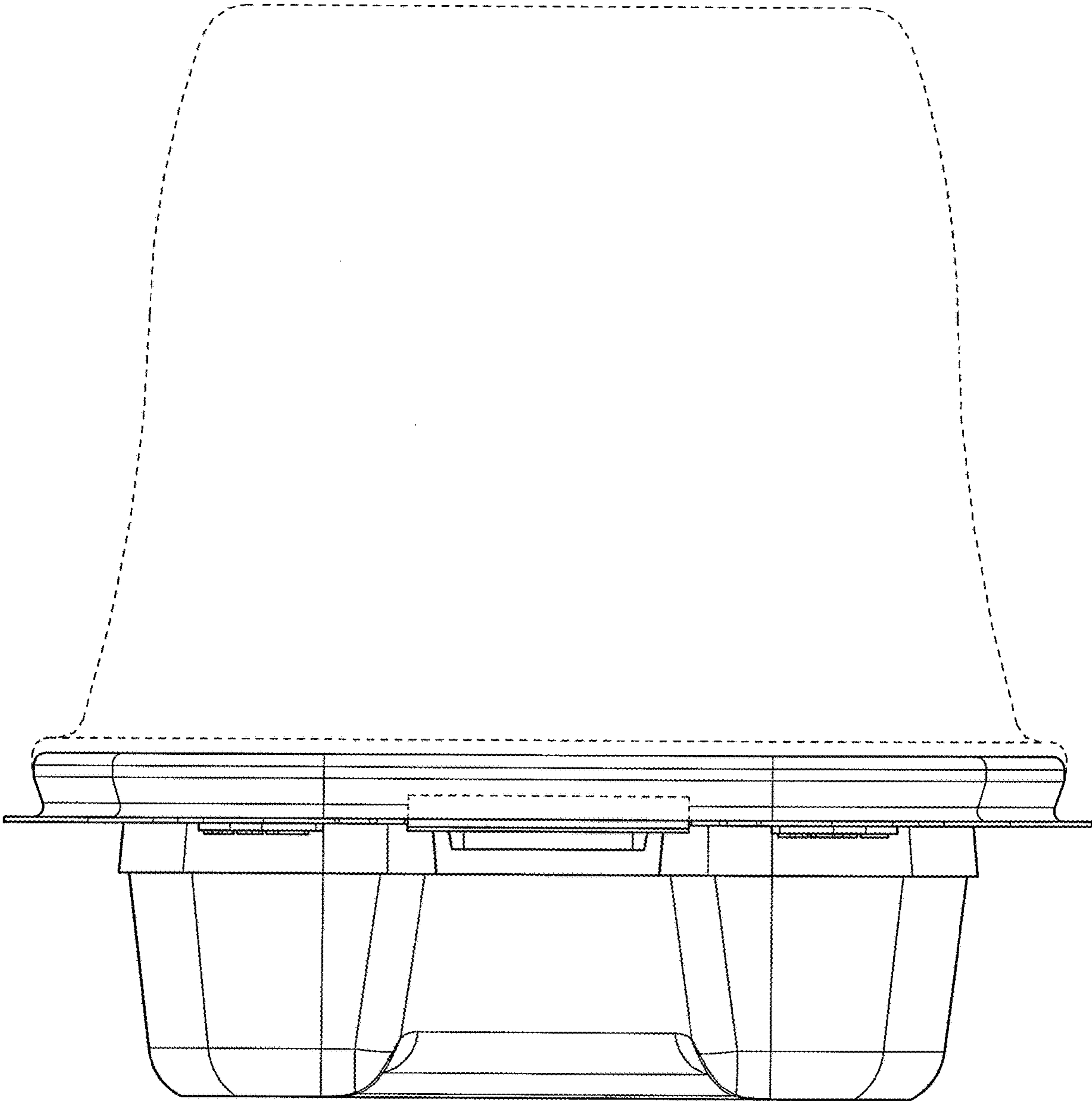


Fig.3

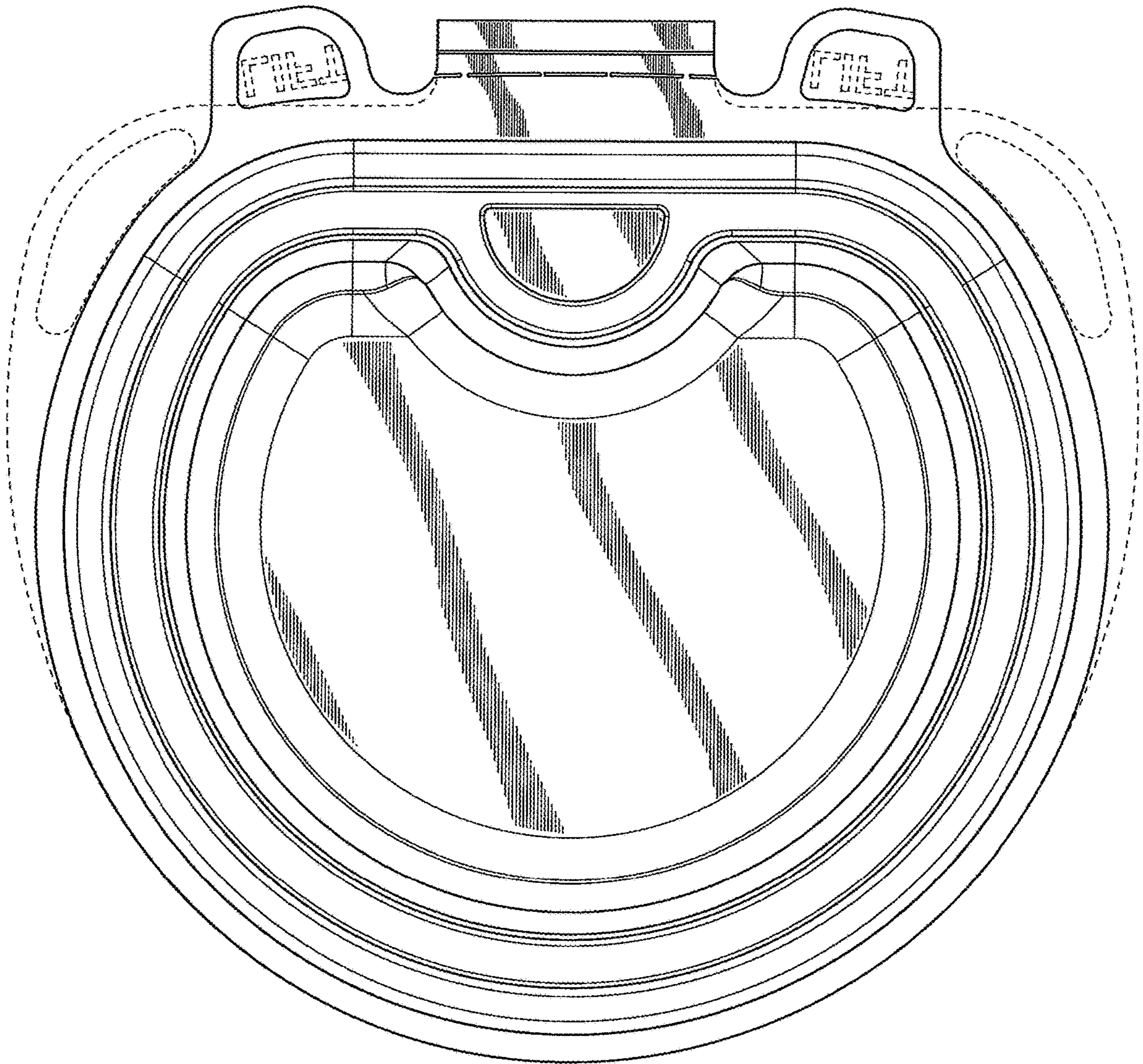


Fig.4

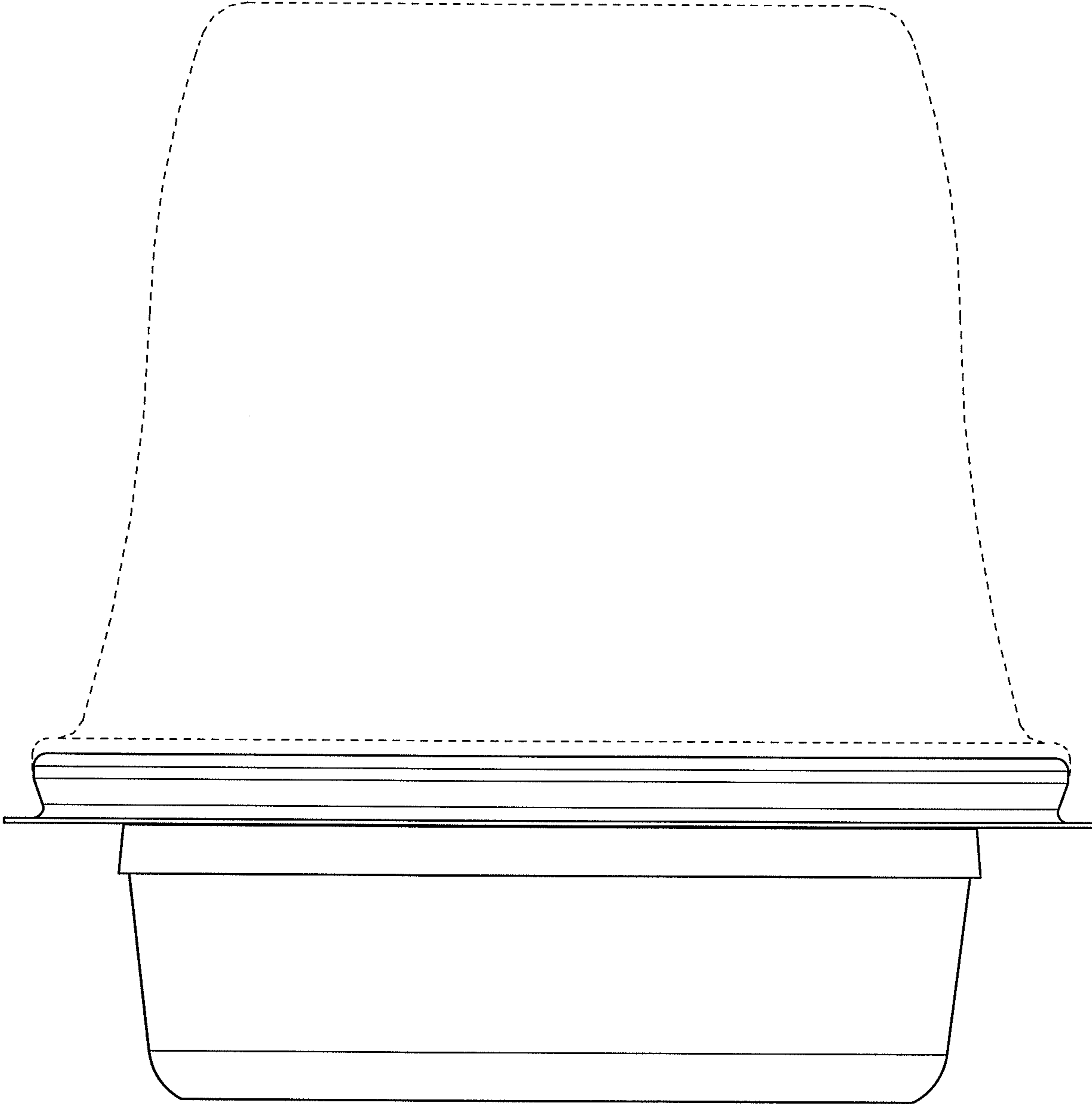


Fig.5

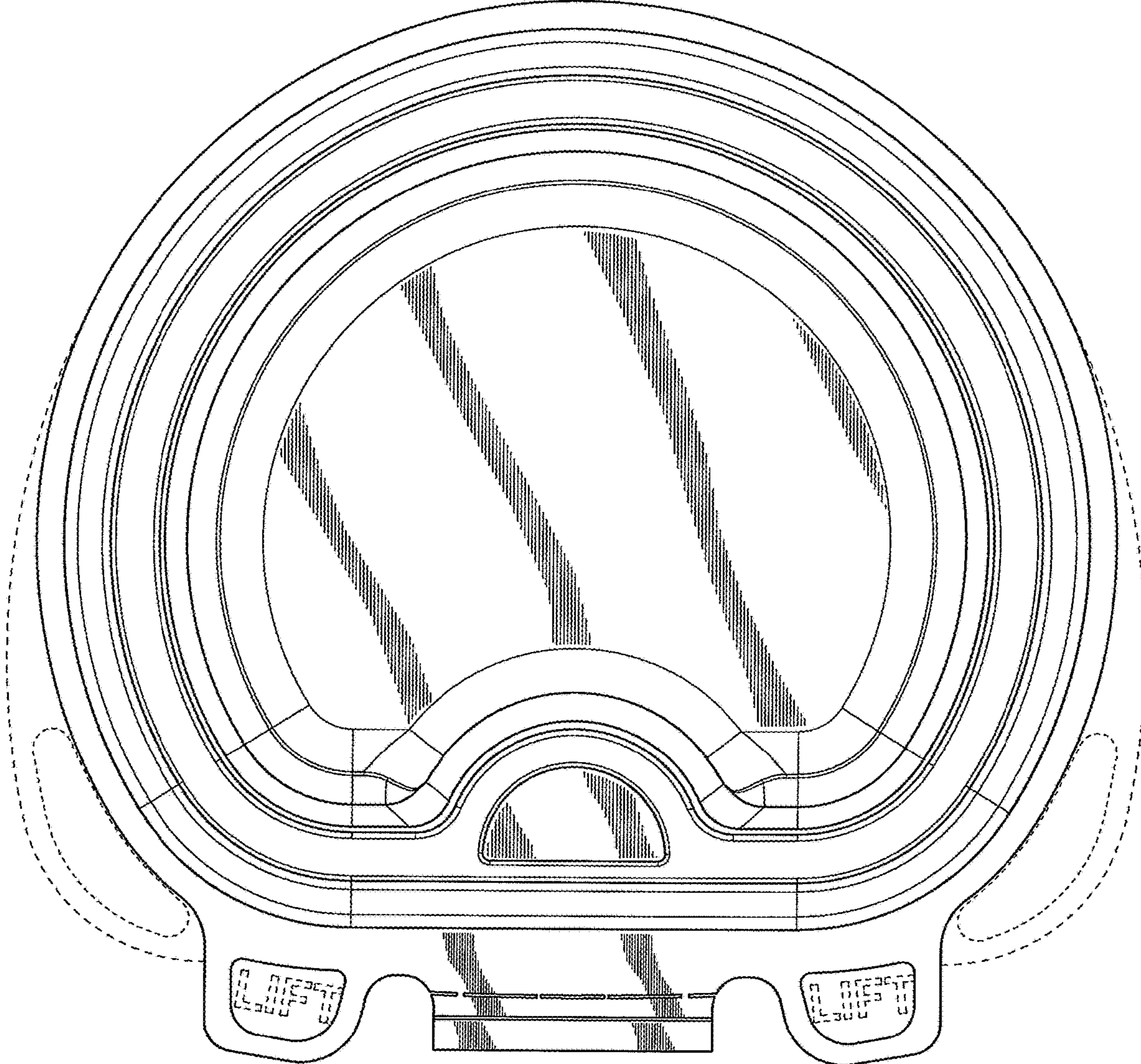


Fig.6