



US00D922187S

(12) **United States Design Patent**
Bouveret

(10) **Patent No.:** **US D922,187 S**

(45) **Date of Patent:** **** Jun. 15, 2021**

- (54) **CONTAINER LID**
- (71) Applicant: **NORTH AMERICA I.M.L.**
CONTAINERS INC., St-Placide (CA)
- (72) Inventor: **Nicolas Bouveret, St-Placide (CA)**
- (73) Assignee: **NORTH AMERICA I.M.L.**
CONTAINERS INC., St-Placide (CA)

D684,459 S *	6/2013	Stowe	D9/428
D686,916 S *	7/2013	O'Brien	D9/429
D701,076 S *	3/2014	Baratelli	D7/359
D707,588 S *	6/2014	Pettigrew	D11/152
D715,649 S *	10/2014	O'Brien	D9/500
9,657,155 B2 *	5/2017	O'Brien	C08K 3/34
D796,318 S *	9/2017	Buck	D9/428
D798,718 S *	10/2017	Foster	D9/500

* cited by examiner

Primary Examiner — Janice Patyk

(74) *Attorney, Agent, or Firm* — Norton Rose Fulbright
Canada LLP

- (**) Term: **15 Years**
- (21) Appl. No.: **29/684,176**

- (22) Filed: **Mar. 19, 2019**
- (51) **LOC (13) Cl.** **09-03**
- (52) **U.S. Cl.**
USPC **D9/425**

- (58) **Field of Classification Search**
USPC D7/400, 601, 608; D9/416, 417, 420,
D9/425-429, 430, 432, 761; 206/499,
206/501, 502, 821; 220/625, 656, 669,
220/670, 674; 229/123.1, 123.2, 125.33,
229/125.35, 400-407, 915, 939
CPC . B65D 1/26; B65D 1/40; B65D 5/243; B65D
81/3453; B65D 2581/34; B65D
2581/3404; B65D 2581/3456
See application file for complete search history.

(56) **References Cited**

U.S. PATENT DOCUMENTS

D606,406 S *	12/2009	Takata	D9/428
D607,329 S *	1/2010	Diss	D9/500
D614,453 S *	4/2010	Curtin	D7/629
D645,748 S *	9/2011	Sharma	D9/503

(57) **CLAIM**

The ornamental design for a container lid, as shown and described.

DESCRIPTION

FIG. 1 is an isometric view of a container lid, showing my design;

FIG. 2 is a front view of the container lid of FIG. 1;

FIG. 3 is a rear view of the container lid of FIG. 1;

FIG. 4 is a first side view of the container lid of FIG. 1;

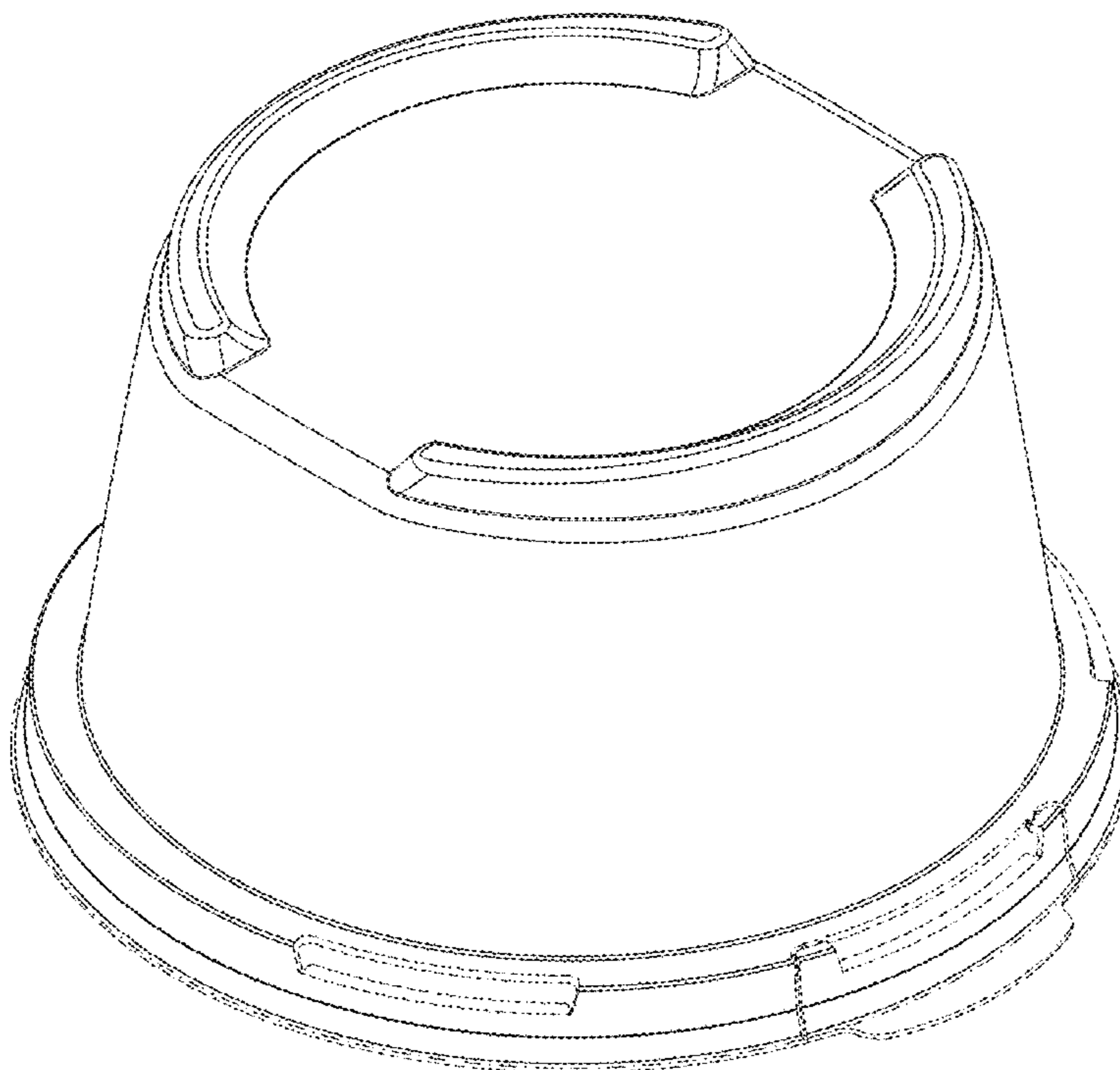
FIG. 5 is a second side view of the container lid of FIG. 1;

FIG. 6 is a top view of the container lid of FIG. 1; and,

FIG. 7 is a bottom view of the container lid of FIG. 1.

The broken lines in the drawings are for the purpose of illustrating portion of the container lid that form no part of the claimed design. The broken lines shown across the flange on the container lid in FIGS. 1, 2 and 4-6 are included to show an unclaimed tear-strip on the article. The dot-dash broken lines immediately adjacent to the claimed areas in the views represent the boundaries of the design and form no part of the design.

1 Claim, 5 Drawing Sheets



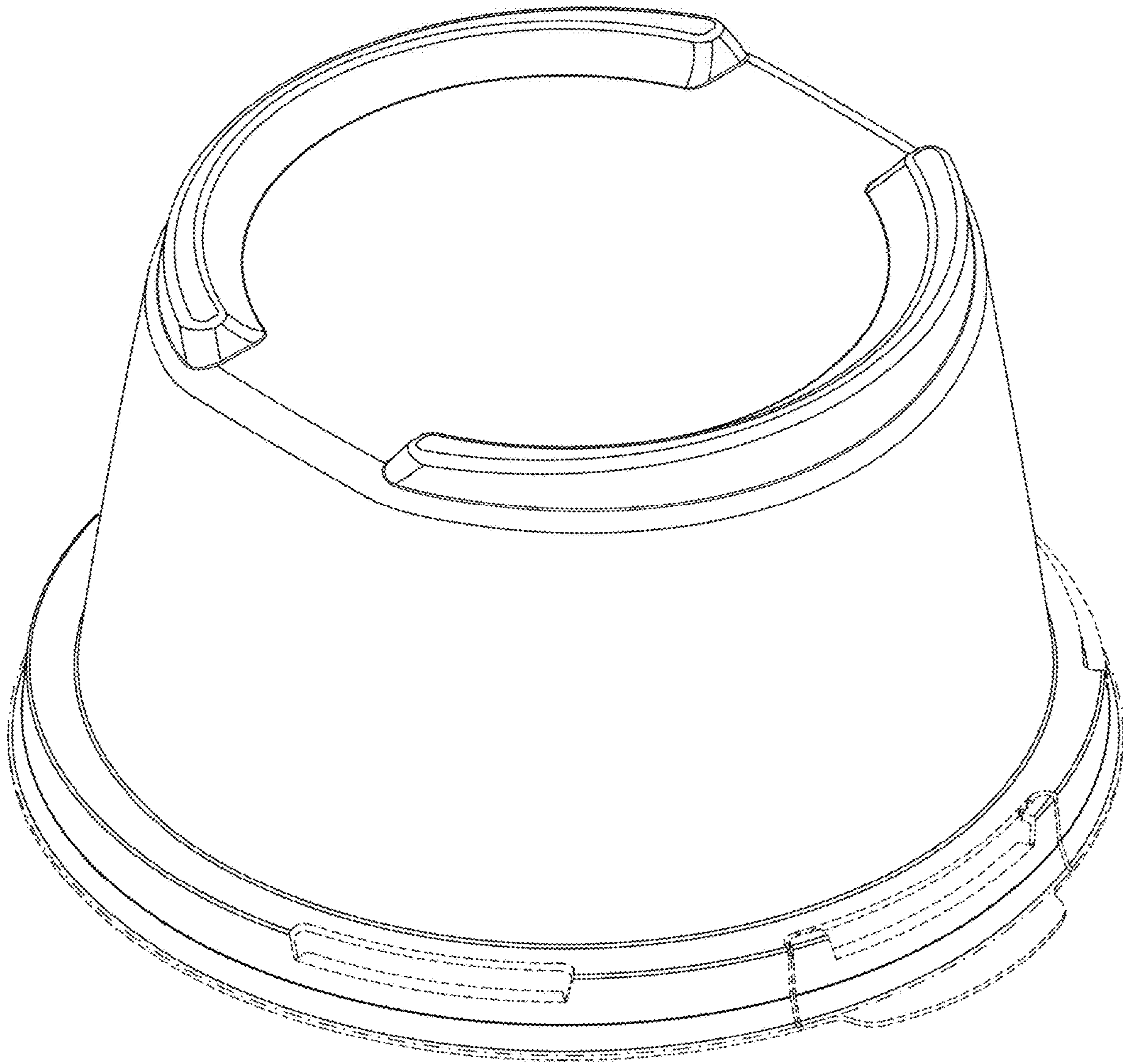


FIG. 1

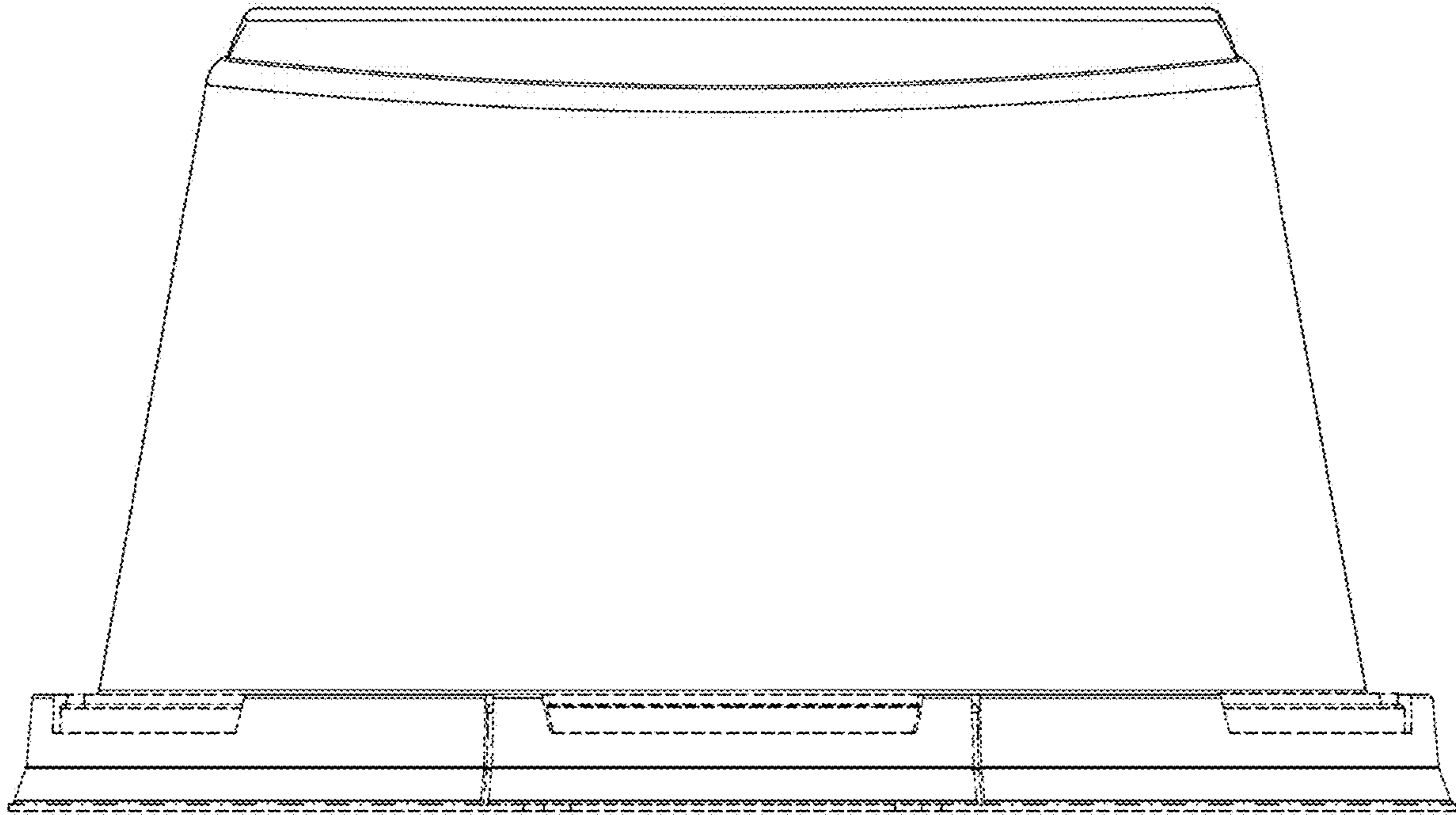


FIG. 2

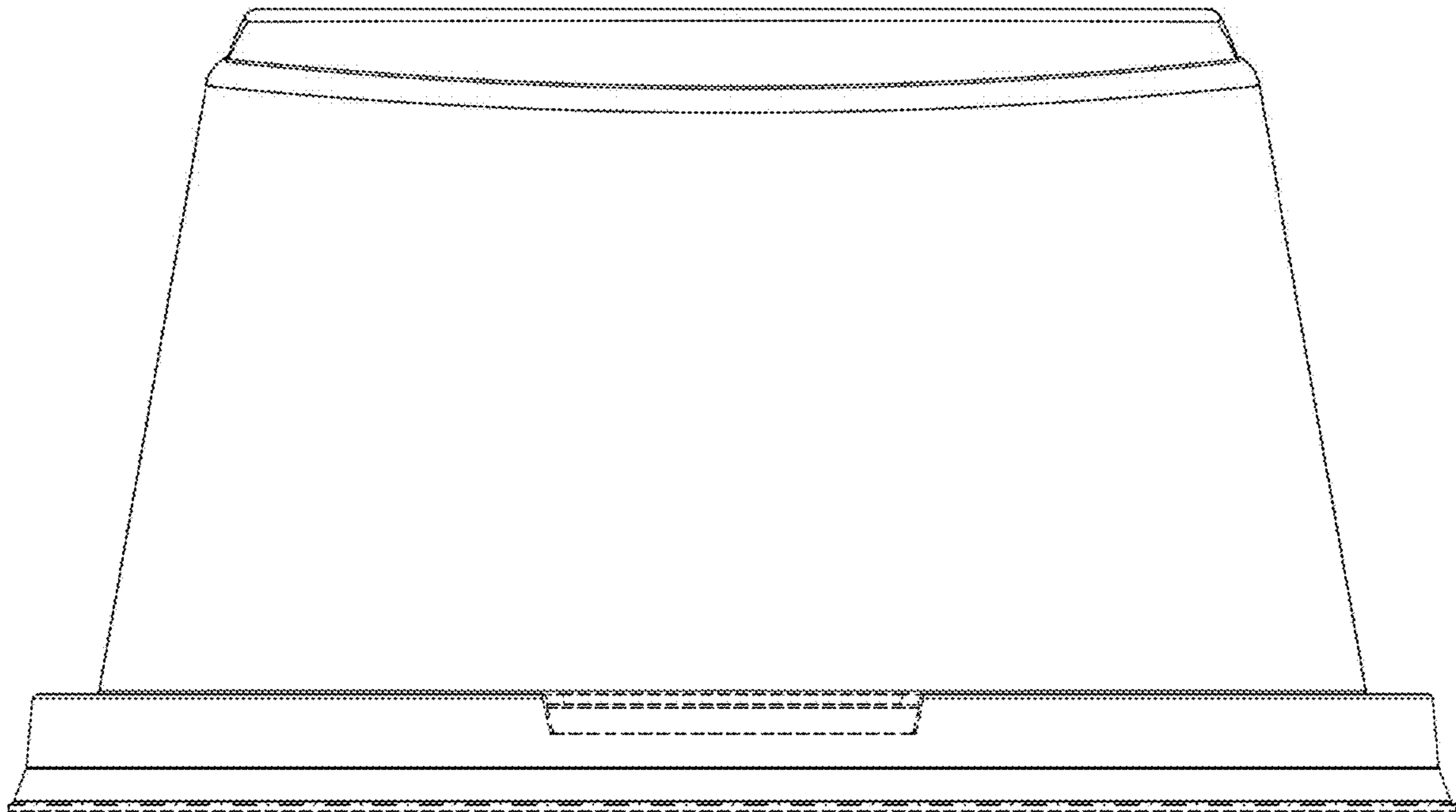


FIG. 3

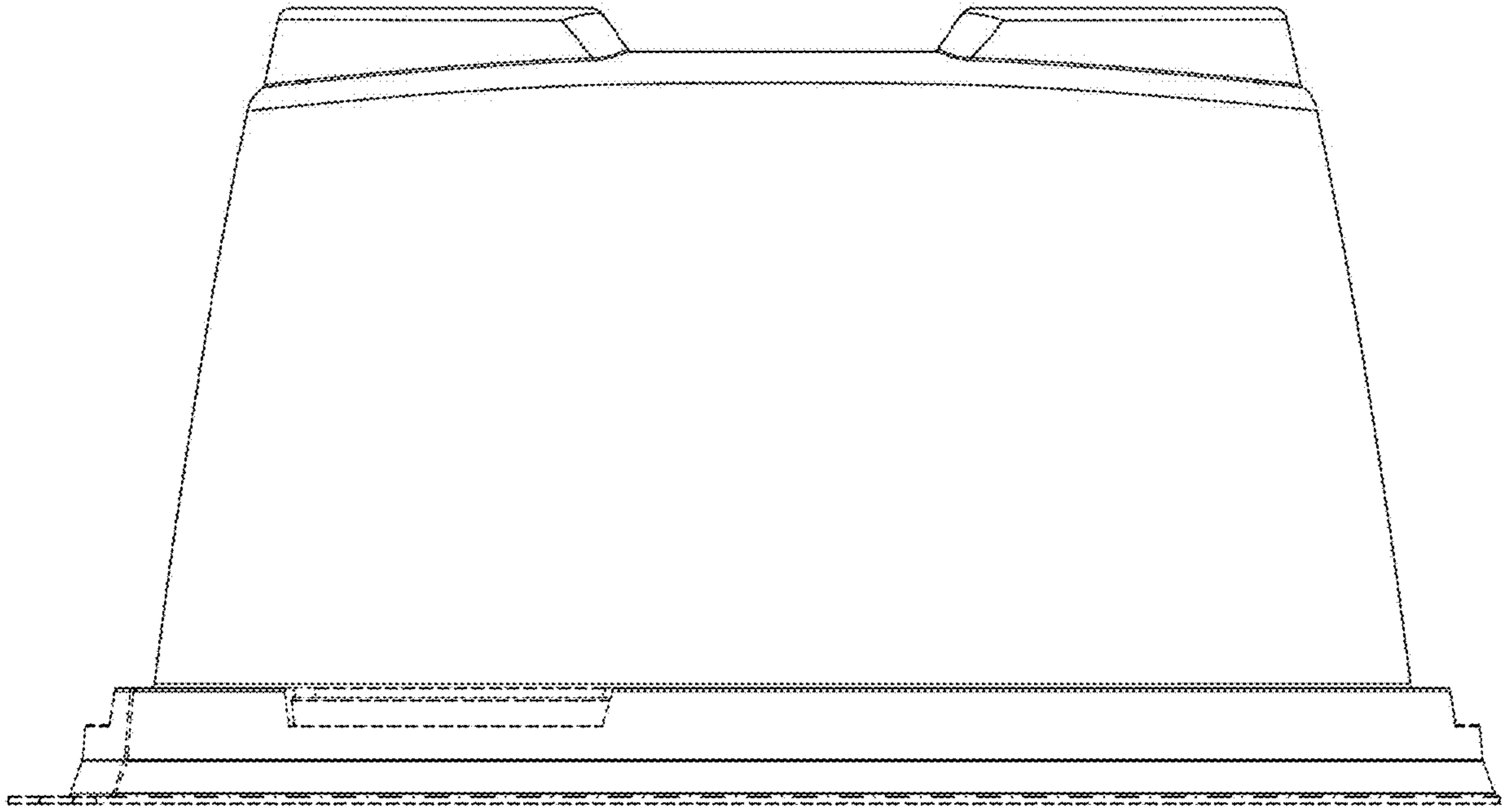


FIG. 4

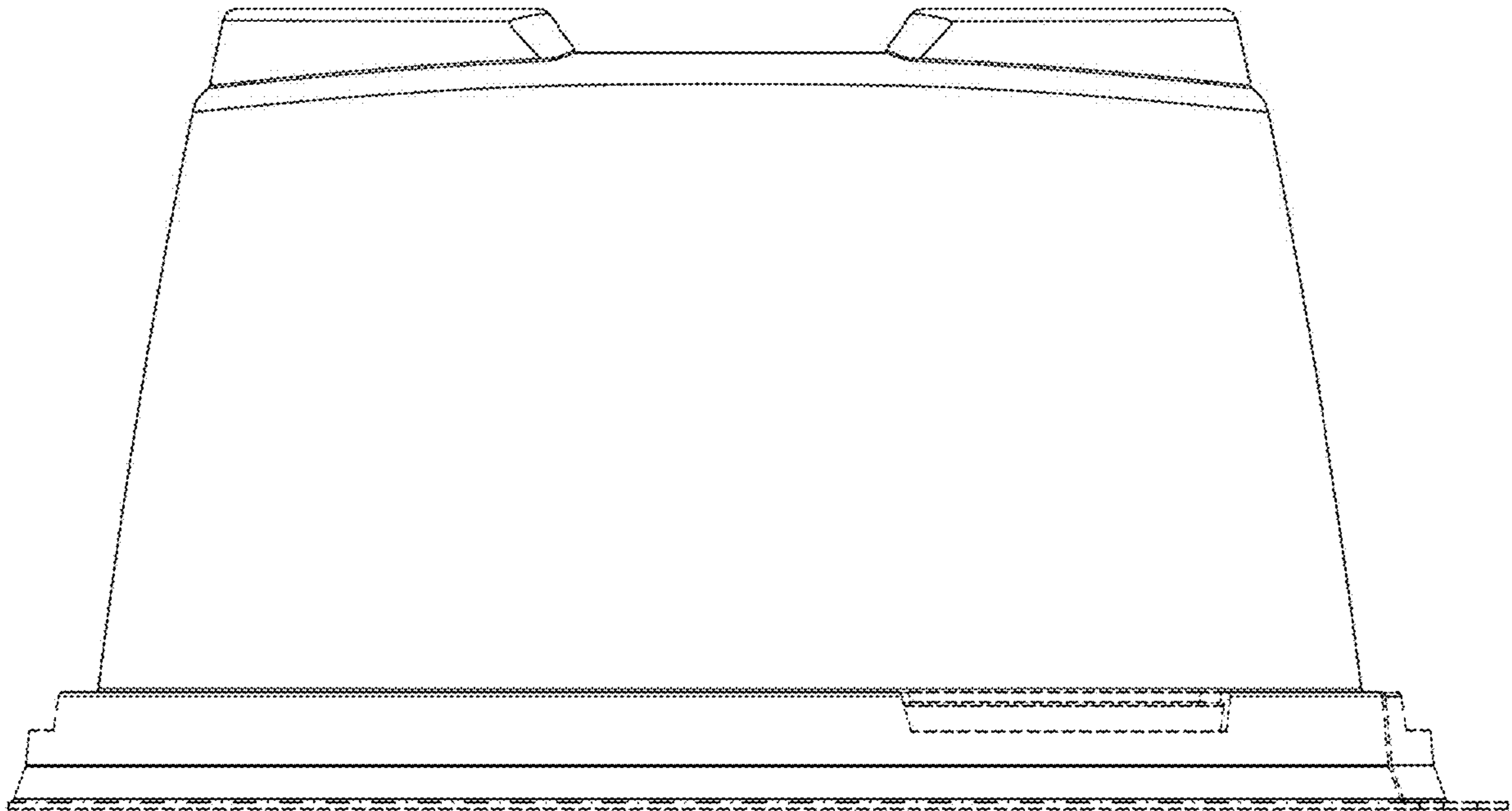


FIG. 5

