



US00D922185S

(12) **United States Design Patent**
Liu

(10) **Patent No.:** **US D922,185 S**
(45) **Date of Patent:** **** Jun. 15, 2021**

(54) **BOLT**
(71) Applicant: **Haoliang Liu**, Shenzhen (CN)
(72) Inventor: **Haoliang Liu**, Shenzhen (CN)
(**) Term: **15 Years**
(21) Appl. No.: **29/758,550**
(22) Filed: **Nov. 17, 2020**
(51) **LOC (13) Cl.** **08-08**
(52) **U.S. Cl.**
USPC **D8/387; D8/367**
(58) **Field of Classification Search**
USPC D8/367, 387, 354, 349
CPC .. F16B 23/00; F16B 45/00; B66C 1/66; F16C
11/10; F16G 15/08
See application file for complete search history.

(56) **References Cited**
U.S. PATENT DOCUMENTS
2,343,283 A * 3/1944 Davis F16B 29/00
411/53
D198,281 S * 5/1964 Mills D8/367
4,958,796 A * 9/1990 Bernosky E21D 21/0093
248/317
5,405,210 A * 4/1995 Tsui B21K 1/72
403/119
5,585,578 A * 12/1996 Shimotori F16B 35/06
16/445
5,690,457 A * 11/1997 Smetz B66C 1/66
411/400
5,865,416 A 2/1999 Hanaway
D413,509 S * 9/1999 Robertson D8/387
D413,791 S 9/1999 May
5,992,910 A * 11/1999 Kwon B66C 1/66
294/215
D446,442 S * 8/2001 Simpson D8/354
6,749,237 B1 * 6/2004 Ma B66C 1/66
294/180

D605,500 S * 12/2009 Lee D8/387
8,622,676 B2 * 1/2014 Chen F16B 43/00
411/402
D721,571 S * 1/2015 Roberts D8/367
D742,724 S 11/2015 Smetz
D752,418 S * 3/2016 Stacey D8/367
D769,705 S * 10/2016 Moreau D8/387
D803,668 S * 11/2017 Bradshaw D8/367
D814,257 S * 4/2018 Berndt 8/14
10,259,691 B1 * 4/2019 Hong B66C 1/66
10,450,174 B1 * 10/2019 Kucinic B66F 1/00
D893,984 S * 8/2020 Rateliff D8/367
D899,230 S * 10/2020 Tang D8/367
D908,477 S * 1/2021 Liu D8/387
10,962,046 B2 * 3/2021 Kilpatrick F16B 43/00
2003/0180118 A1 * 9/2003 Alba B66C 1/66
411/400
2005/0019135 A1 * 1/2005 Smetz B66C 1/66
411/400
2007/0194588 A1 * 8/2007 Taubert F16B 45/00
296/37.14

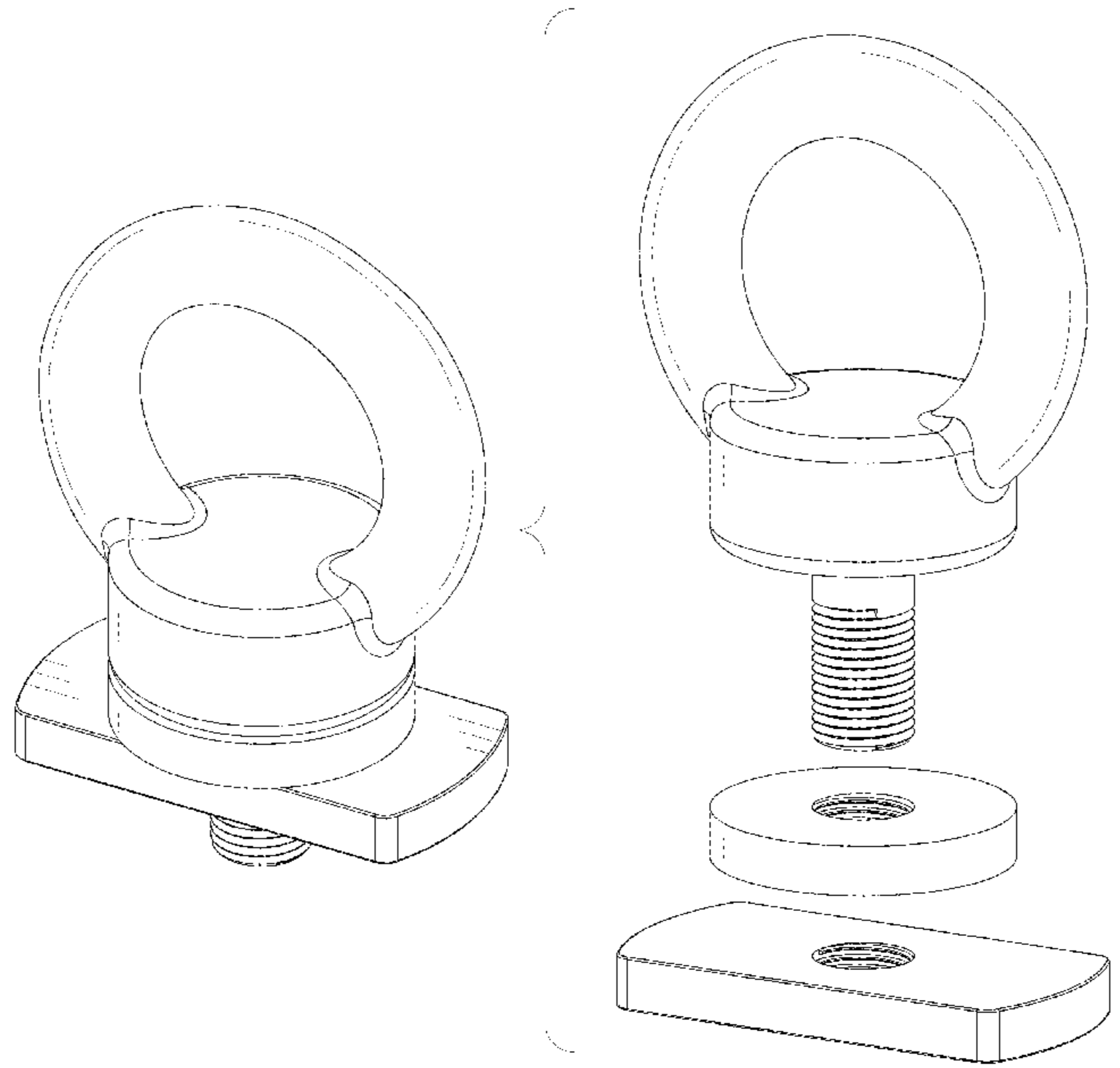
(Continued)

Primary Examiner — Holly E Thurman
Assistant Examiner — Ieisha N Price

(57) **CLAIM**
The ornamental design for a bolt, as shown and described.

DESCRIPTION
FIG. 1 is a perspective view of a bolt showing my new design;
FIG. 2 is a front elevational view thereof;
FIG. 3 is a rear elevational view thereof;
FIG. 4 is a left side elevational view thereof;
FIG. 5 is a right side elevational view thereof;
FIG. 6 is a top plan view thereof;
FIG. 7 is a bottom plan view thereof; and,
FIG. 8 is an exploded view of the bolt shown in FIG. 1.

1 Claim, 8 Drawing Sheets



(56)

References Cited

U.S. PATENT DOCUMENTS

2013/0251444 A1* 9/2013 Ivanic B66C 1/66
403/78
2014/0217255 A1* 8/2014 Rinklake F16B 45/00
248/304
2015/0028614 A1* 1/2015 Norpoth B66C 1/66
294/215
2015/0071732 A1* 3/2015 Hong F16B 35/06
411/383
2015/0300399 A1* 10/2015 Ivanic F16G 15/08
411/192
2016/0123374 A1* 5/2016 Roberts A45C 13/001
294/215
2017/0355297 A1* 12/2017 Chimenti B60P 7/0807
2017/0363138 A1* 12/2017 Kilpatrick F16B 45/00
2018/0029846 A1* 2/2018 Verbrugge F16B 35/06
2018/0079628 A1* 3/2018 Bradshaw B66C 1/66
2019/0016567 A1* 1/2019 Losange B33Y 80/00
2019/0031473 A1* 1/2019 Kim F16G 15/02
2019/0202669 A1* 7/2019 Betzler B66C 1/66
2019/0210844 A1* 7/2019 Redder B66C 1/66

* cited by examiner

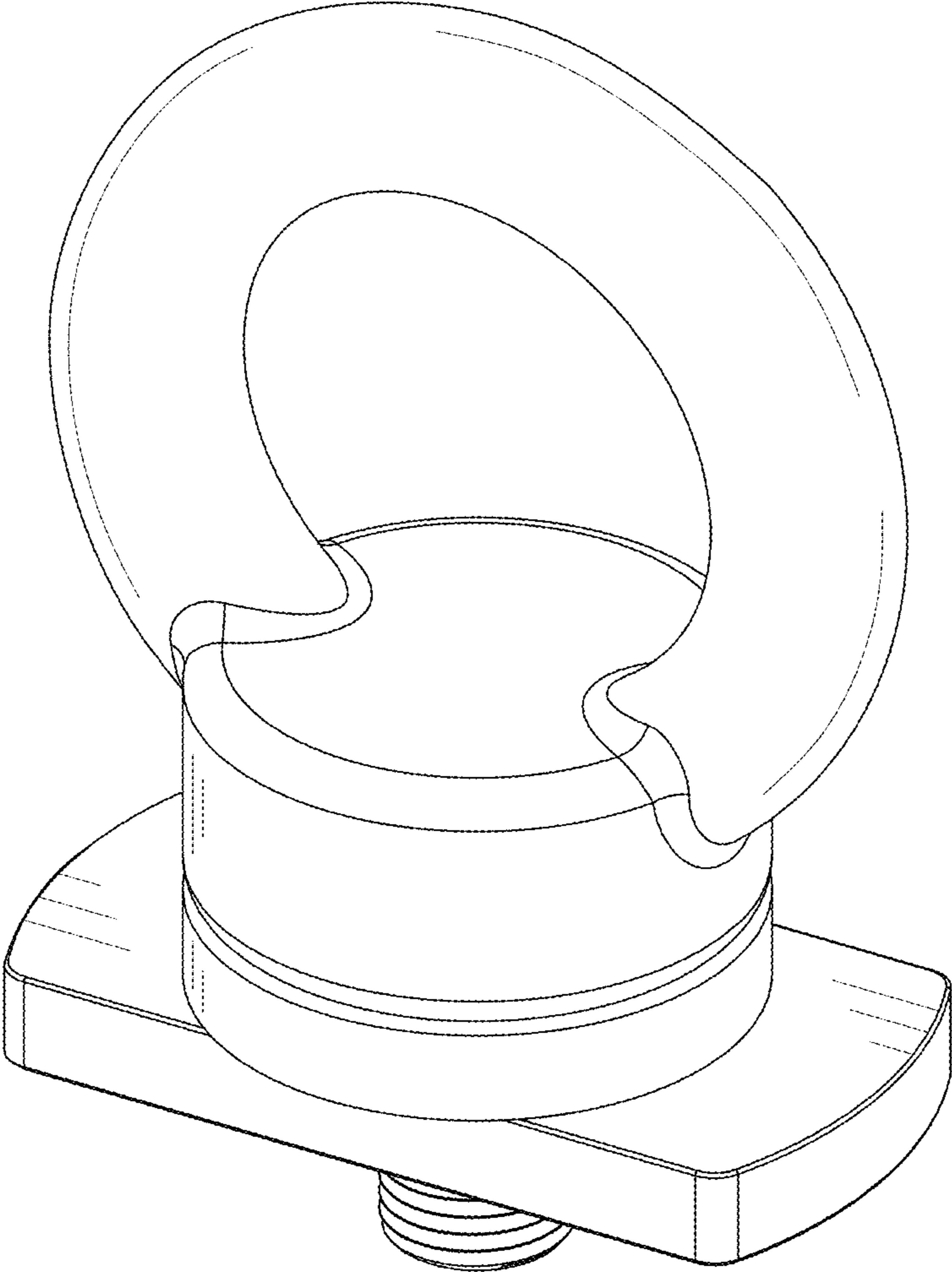


FIG. 1

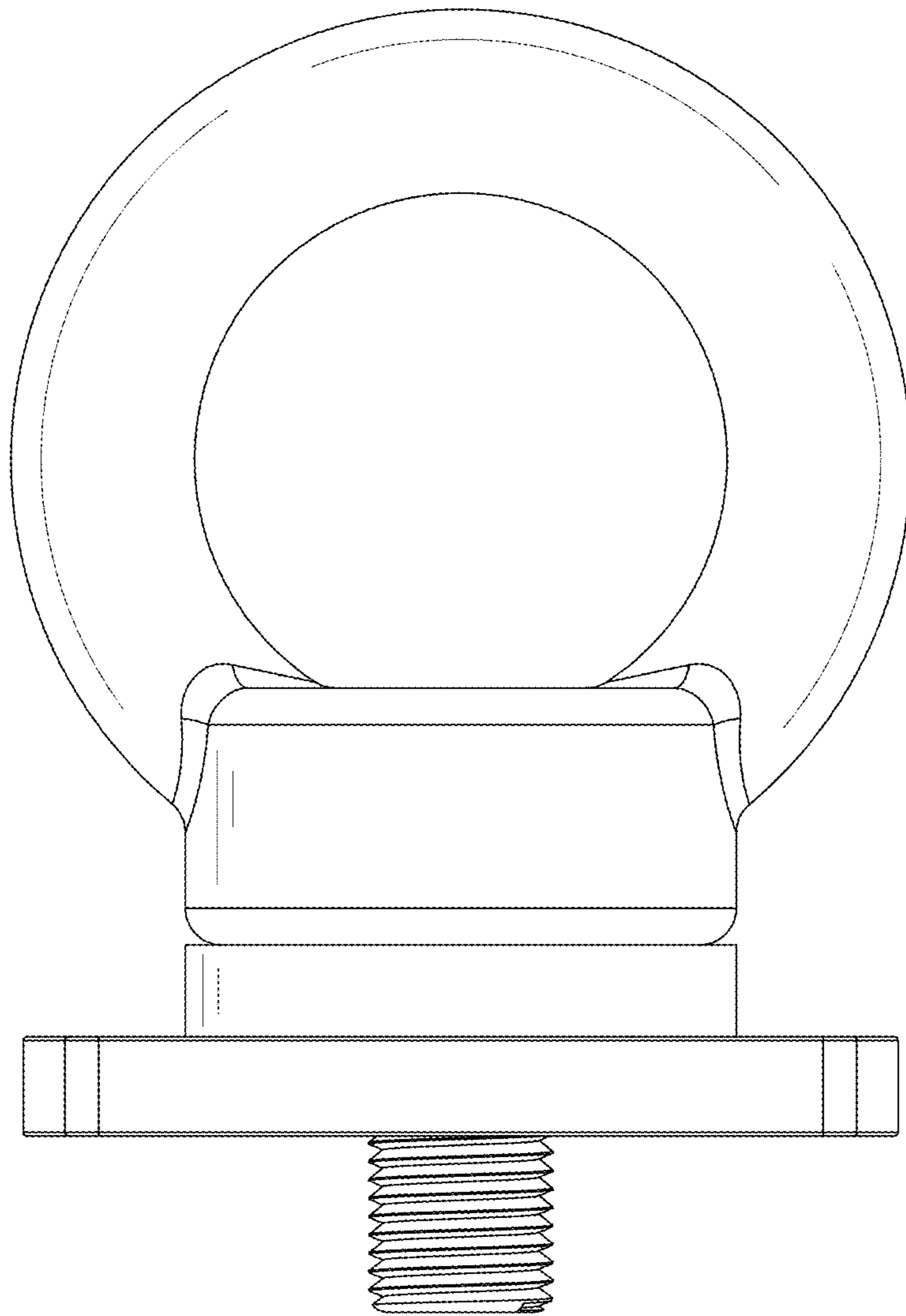


FIG. 2

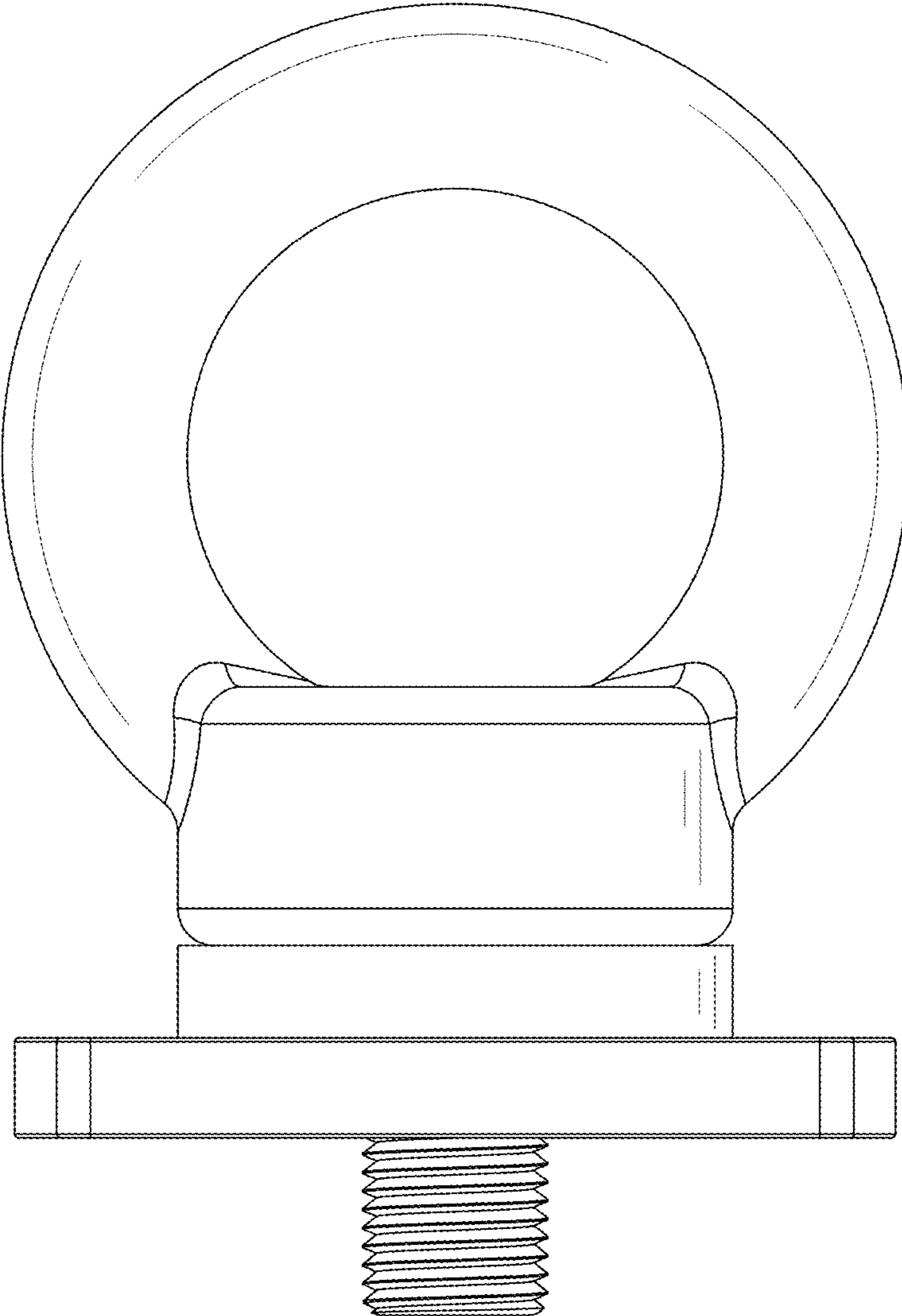


FIG. 3

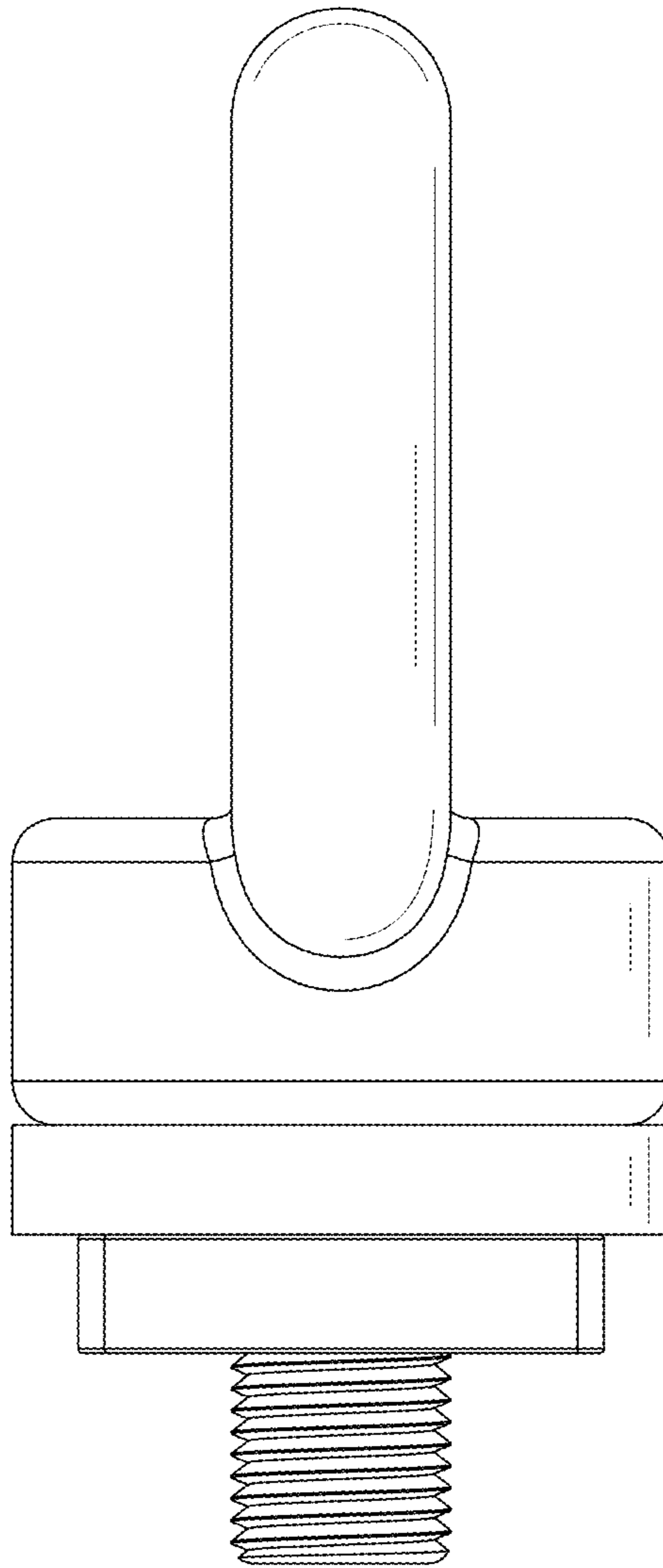


FIG. 4

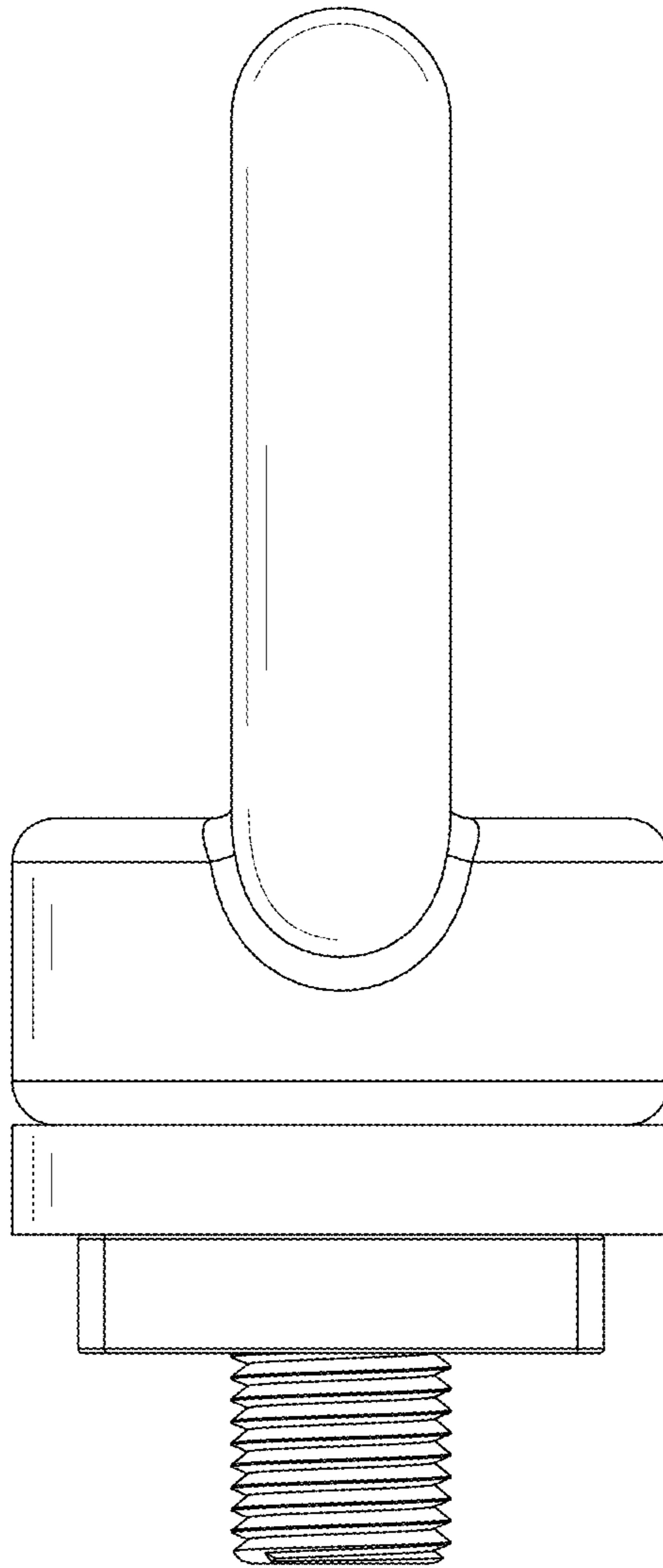


FIG. 5

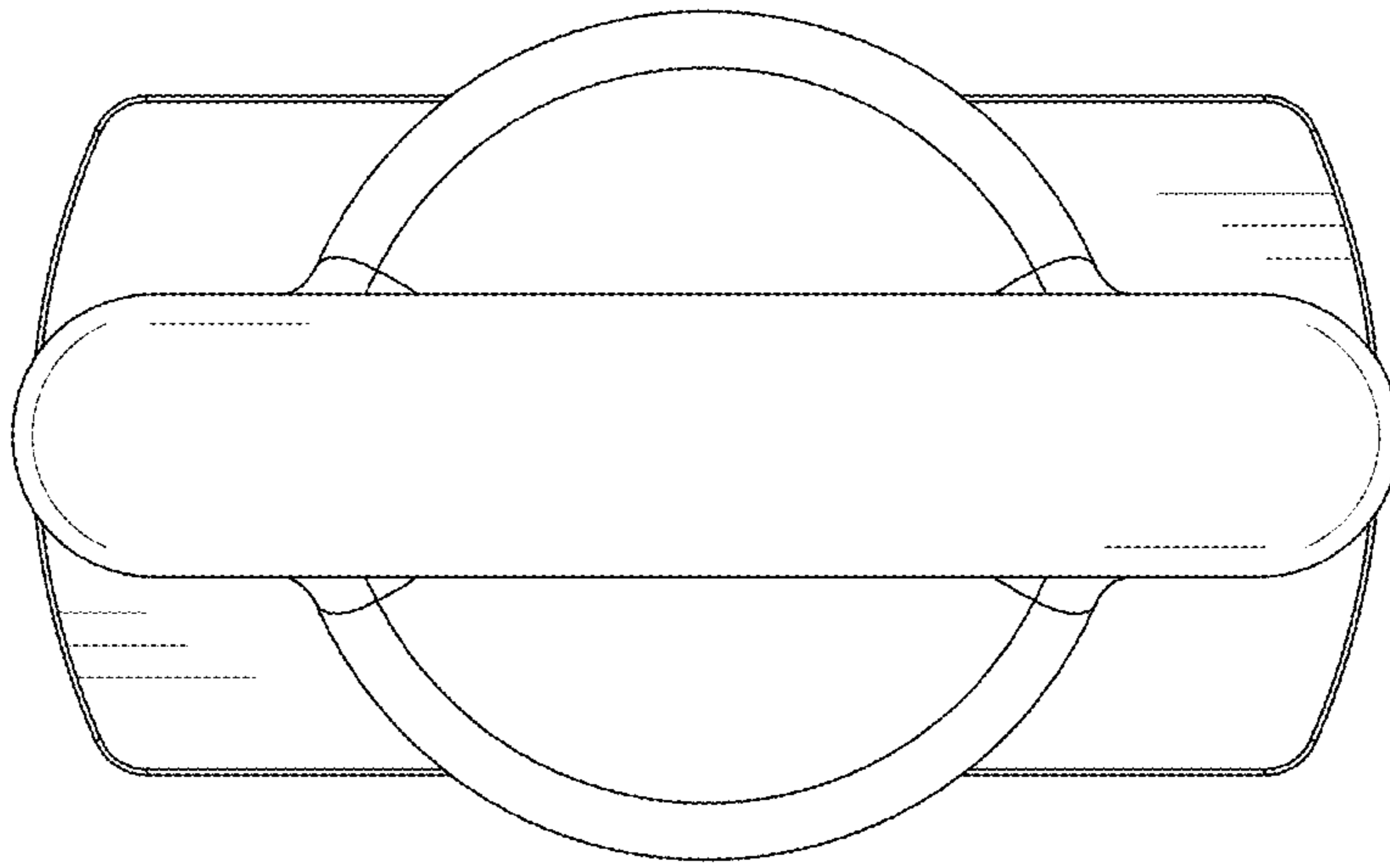


FIG. 6

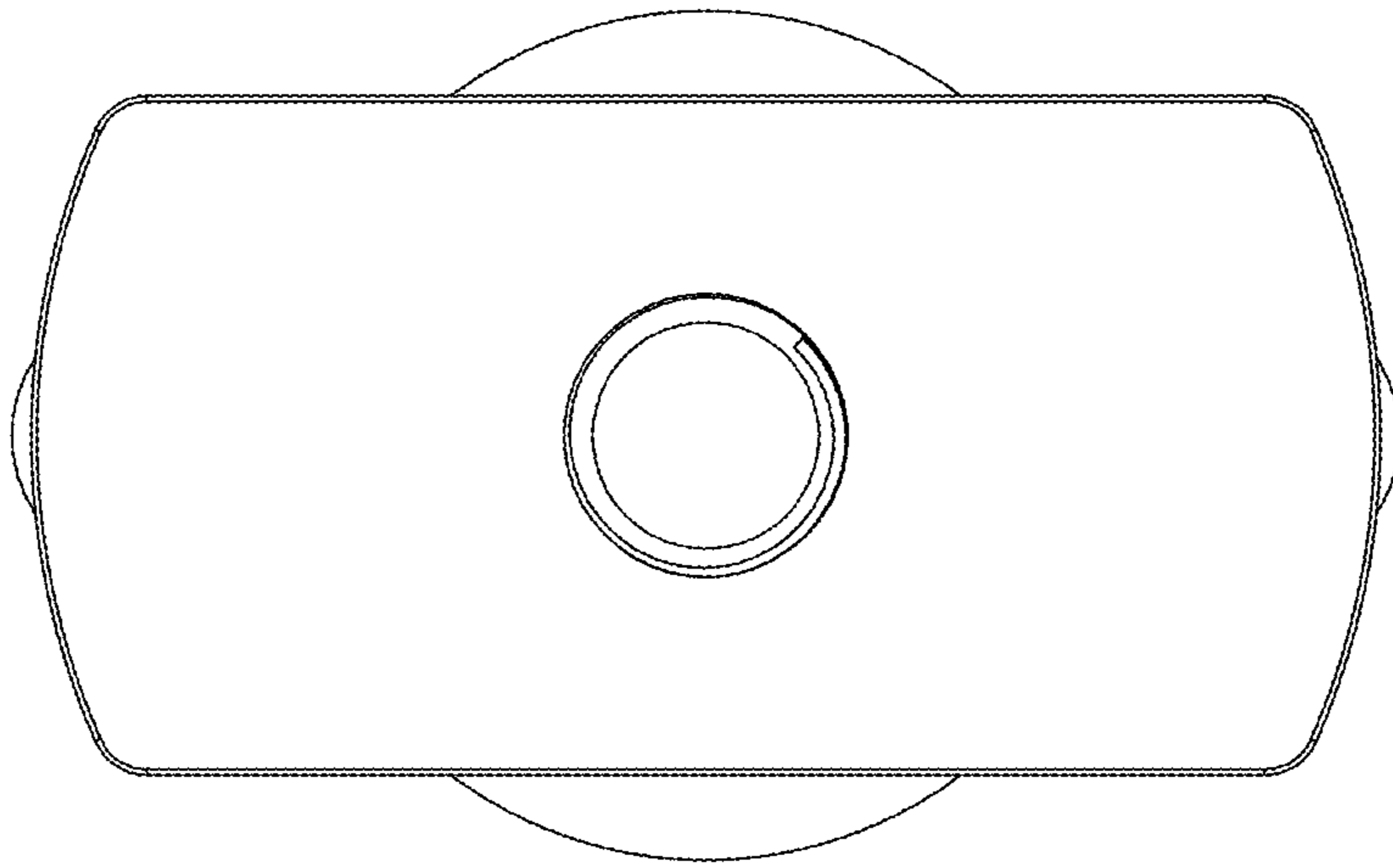


FIG. 7

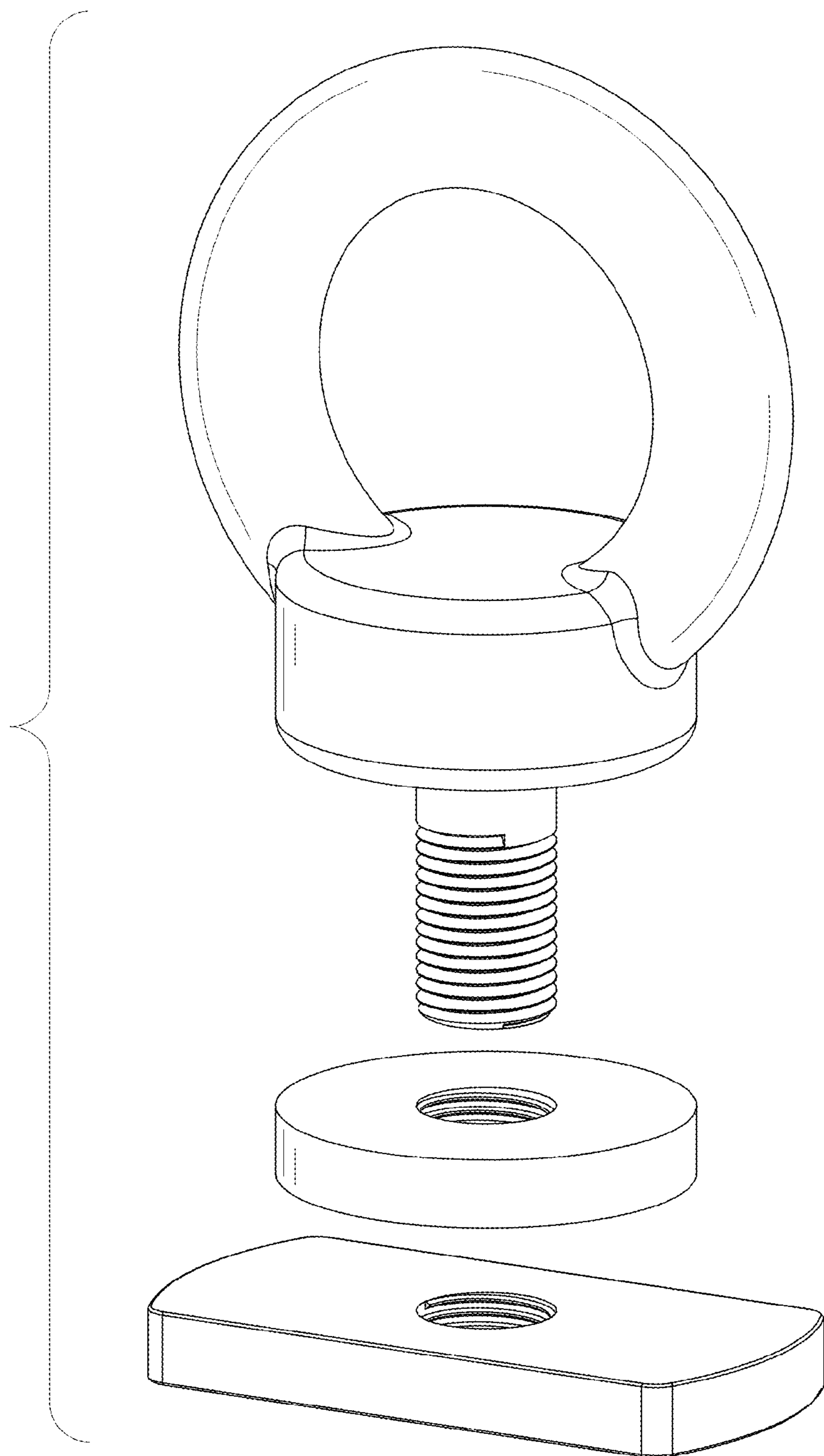


FIG. 8