



US00D922184S

(12) **United States Design Patent**
Andria et al.

(10) **Patent No.:** **US D922,184 S**
(45) **Date of Patent:** **** Jun. 15, 2021**

(54) **CONNECTOR FOR MODULAR FURNITURE**

(71) Applicant: **Primo Bedding Company, Inc.**,
Montreal (CA)

(72) Inventors: **Niaina Andria**, Laval (CA); **George Itzkovitz**, Hampstead (CA)

(73) Assignee: **Primo Bedding Company, Inc.**,
Montreal (CA)

(**) Term: **15 Years**

(21) Appl. No.: **29/698,047**

(22) Filed: **Jul. 12, 2019**

(30) **Foreign Application Priority Data**

Mar. 5, 2019 (CA) CA 186422

(51) **LOC (13) Cl.** **08-08**

(52) **U.S. Cl.**
USPC **D8/382**

(58) **Field of Classification Search**
USPC D8/71, 73, 349, 354, 382, 394, 395, 396,
D8/397, 399; D6/702

(Continued)

(56) **References Cited**

U.S. PATENT DOCUMENTS

D45,052 S * 12/1913 Vail D8/349
1,656,906 A * 1/1928 Anderson F16B 12/52
248/188.1

(Continued)

Primary Examiner — Sandra Snapp
Assistant Examiner — Ieisha N Price

(74) *Attorney, Agent, or Firm* — Rutan & Tucker LLP

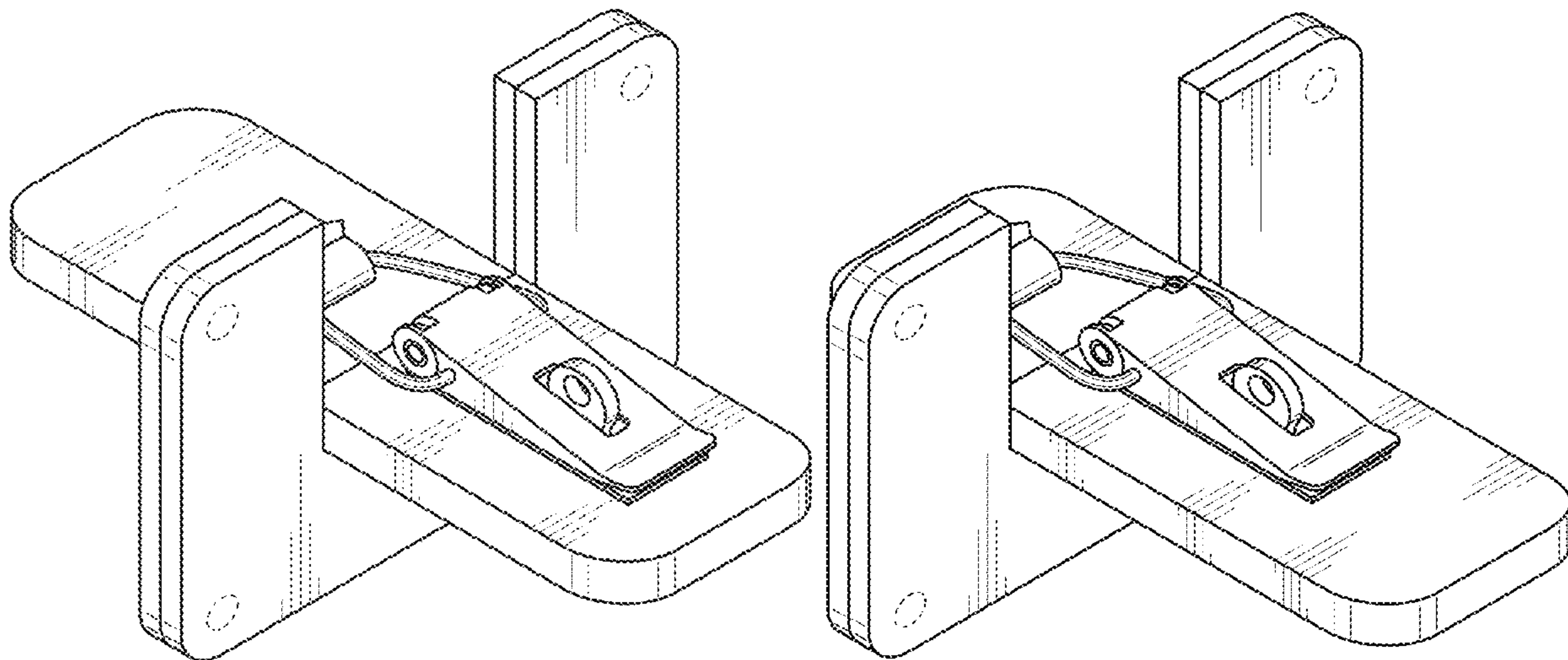
(57) **CLAIM**

The ornamental design for a connector for modular furniture, as shown and described.

DESCRIPTION

FIG. 1 is a bottom perspective view of a first embodiment of a connector for modular furniture;
FIG. 2 is a front view of the connector for modular furniture illustrated in FIG. 1;
FIG. 3 is a rear view of the connector for modular furniture illustrated in FIG. 1;
FIG. 4 is a top view of the connector for modular furniture illustrated in FIG. 1;
FIG. 5 is a bottom view of the connector for modular furniture illustrated in FIG. 1;
FIG. 6 is a left side view of the connector for modular furniture illustrated in FIG. 1;
FIG. 7 is a right side view of the connector for modular furniture illustrated in FIG. 1;
FIG. 8 is an environmental view of the connector for modular furniture illustrated in FIG. 1;
FIG. 9 is a bottom perspective view of a second embodiment of a connector for modular furniture;
FIG. 10 is a front view of the connector for modular furniture illustrated in FIG. 9;
FIG. 11 is a rear view of the connector for modular furniture illustrated in FIG. 9;
FIG. 12 is a top view of the connector for modular furniture illustrated in FIG. 9;
FIG. 13 is a bottom view of the connector for modular furniture illustrated in FIG. 9;
FIG. 14 is a left side view of the connector for modular furniture illustrated in FIG. 9;
FIG. 15 is a right side view of the connector for modular furniture illustrated in FIG. 9; and
FIG. 16 is an environmental view of the connector for modular furniture illustrated in FIG. 9.
The broken lines rendered in 1-7 and 9-15 illustrates portions of the connector for modular furniture and form no part of the claimed design. The broken lines rendered in FIGS. 8 and 16 illustrates the environment of the claimed design and forms no part thereof.

1 Claim, 10 Drawing Sheets



(58) **Field of Classification Search**

CPC .. A47C 4/028; A47C 7/18; A47C 7/20; A47C 13/005; A47C 15/002; A47C 17/045; A47C 17/86; F16B 1/00; F16B 12/00; F16B 12/10; F16B 12/20; F16B 12/48; F16B 12/52; F16B 2001/0028; F16B 2001/0035; Y10T 29/49826; Y10T 403/7164; Y10T 403/7176

See application file for complete search history.

(56) **References Cited**

U.S. PATENT DOCUMENTS

2,855,256 A * 10/1958 Nelson F16B 12/48
248/188
3,113,358 A * 12/1963 Zell F16B 12/20
312/263
3,545,712 A * 12/1970 Ellis F16B 12/26
248/222.11
3,669,480 A * 6/1972 Fugate E04G 21/3223
403/400
D260,481 S * 9/1981 Norcross D8/354
4,436,342 A * 3/1984 Nilson F16B 12/20
297/446.1
6,065,724 A * 5/2000 Arslan A47B 96/06
211/187
6,241,317 B1 * 6/2001 Wu A47C 4/02
297/440.1
D502,387 S * 3/2005 Hyakkoku D8/354
D599,643 S * 9/2009 Dinh D8/354
D605,496 S * 12/2009 Scheuermann D8/349

D628,607 S * 12/2010 Irion D15/138
D649,016 S * 11/2011 Rasmussen D8/354
D656,813 S * 4/2012 Dotsey D8/354
D668,562 S * 10/2012 Madrack D10/65
D692,960 S * 11/2013 Robins D21/386
D735,770 S * 8/2015 Schaffert D15/28
D792,197 S * 7/2017 Kundig D8/371
D794,420 S * 8/2017 Emmons D8/349
D833,262 S * 11/2018 Royak D8/373
10,123,623 B2 * 11/2018 Nelson A47C 7/20
D863,040 S * 10/2019 DeDios-Shirley D8/354
D880,982 S * 4/2020 Morehead D8/349
D885,862 S * 6/2020 Bacia D8/47
D887,820 S * 6/2020 Zhang D8/354
D891,227 S * 7/2020 Lovgren D8/349
2005/0179303 A1 * 8/2005 Owens A47C 4/02
297/440.1
2013/0302085 A1 * 11/2013 King F16B 12/32
403/188
2014/0130322 A1 * 5/2014 Helton A47C 4/028
29/91.1
2014/0223755 A1 * 8/2014 Madrack E04F 21/0092
33/645
2017/0367486 A1 * 12/2017 Nelson F16B 12/10
2018/0213943 A1 * 8/2018 Kuhl A47C 17/86
2019/0223587 A1 * 7/2019 Patton F16B 12/44
2019/0226509 A1 * 7/2019 Merlo F16B 12/20
2019/0301503 A1 * 10/2019 Kennedy F16B 12/22
2020/0100030 A1 * 3/2020 Nelson H04R 1/025
2020/0187654 A1 * 6/2020 Mutyala A47C 17/34
2020/0224693 A1 * 7/2020 Klingler F16B 1/00
2020/0268160 A1 * 8/2020 Kuhl A47C 17/04

* cited by examiner

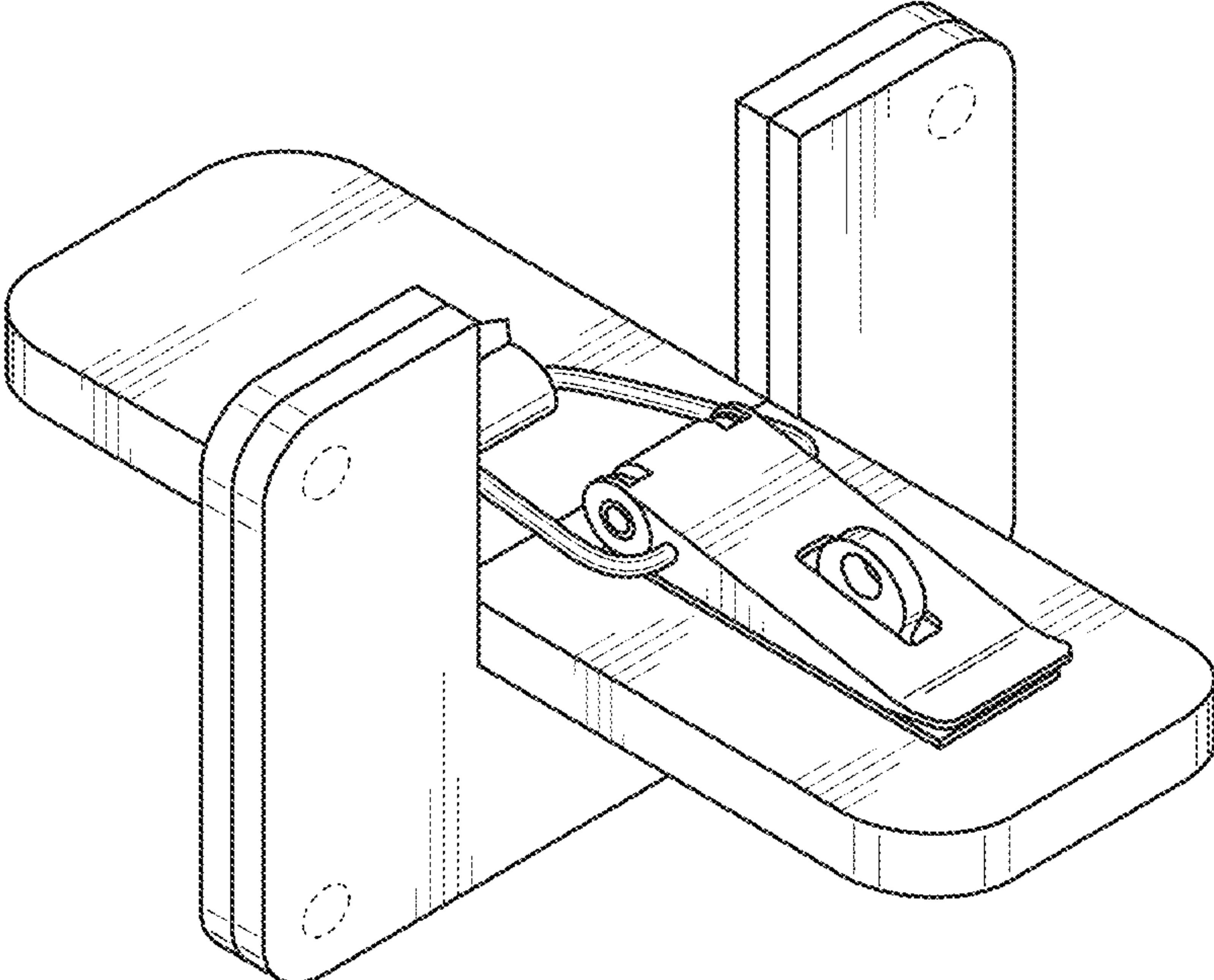


FIG. 1

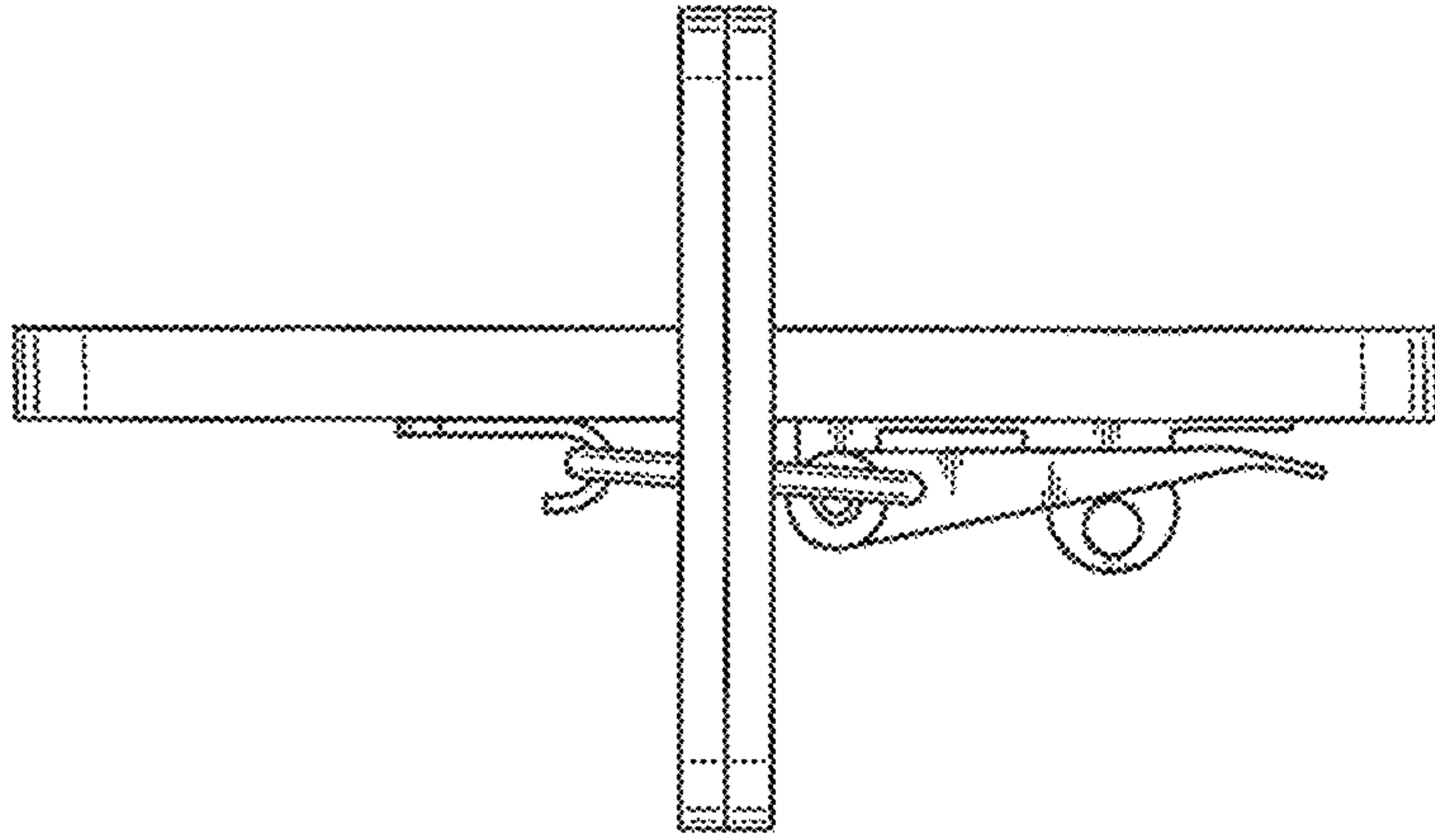


FIG. 2

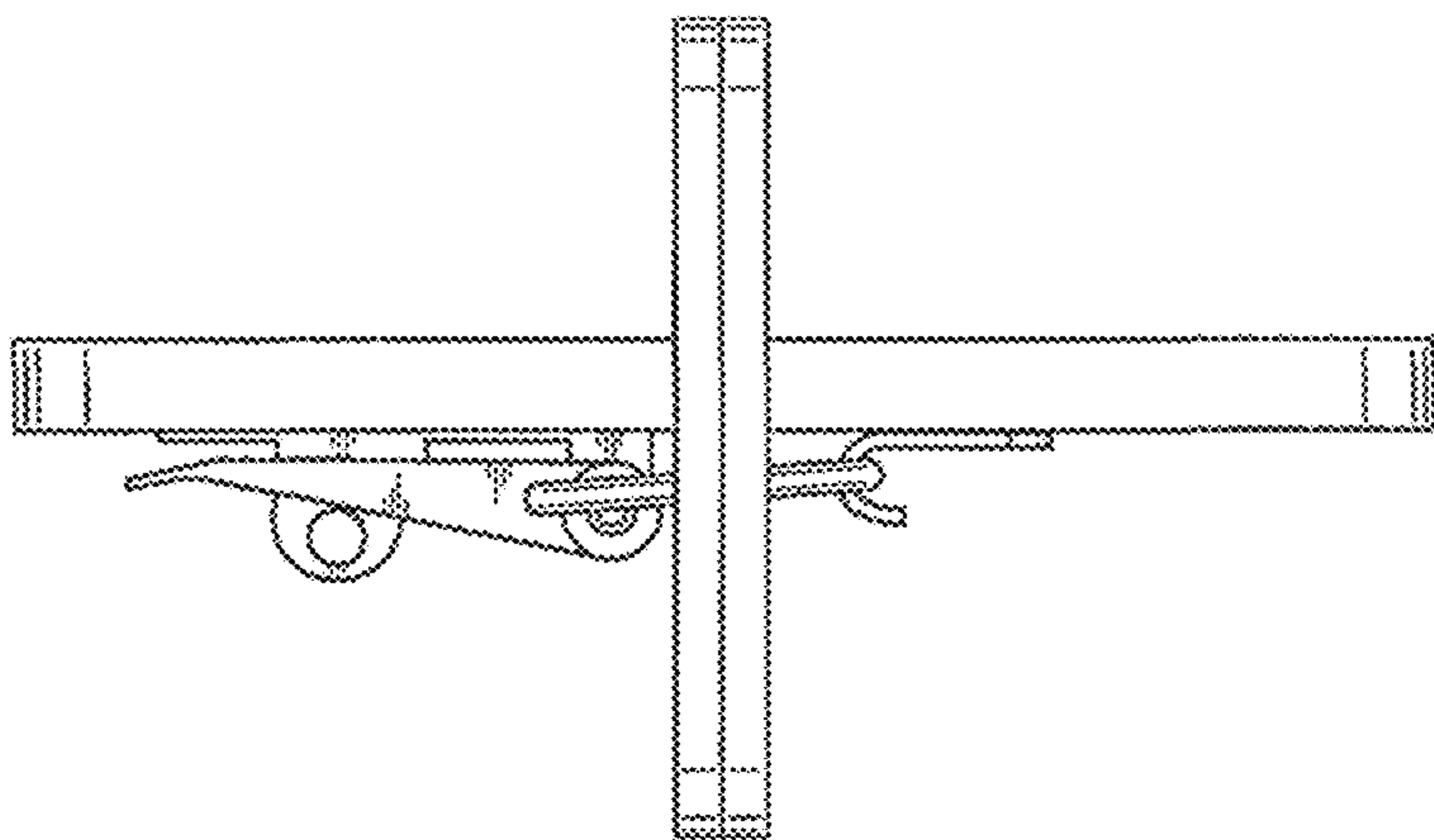


FIG. 3

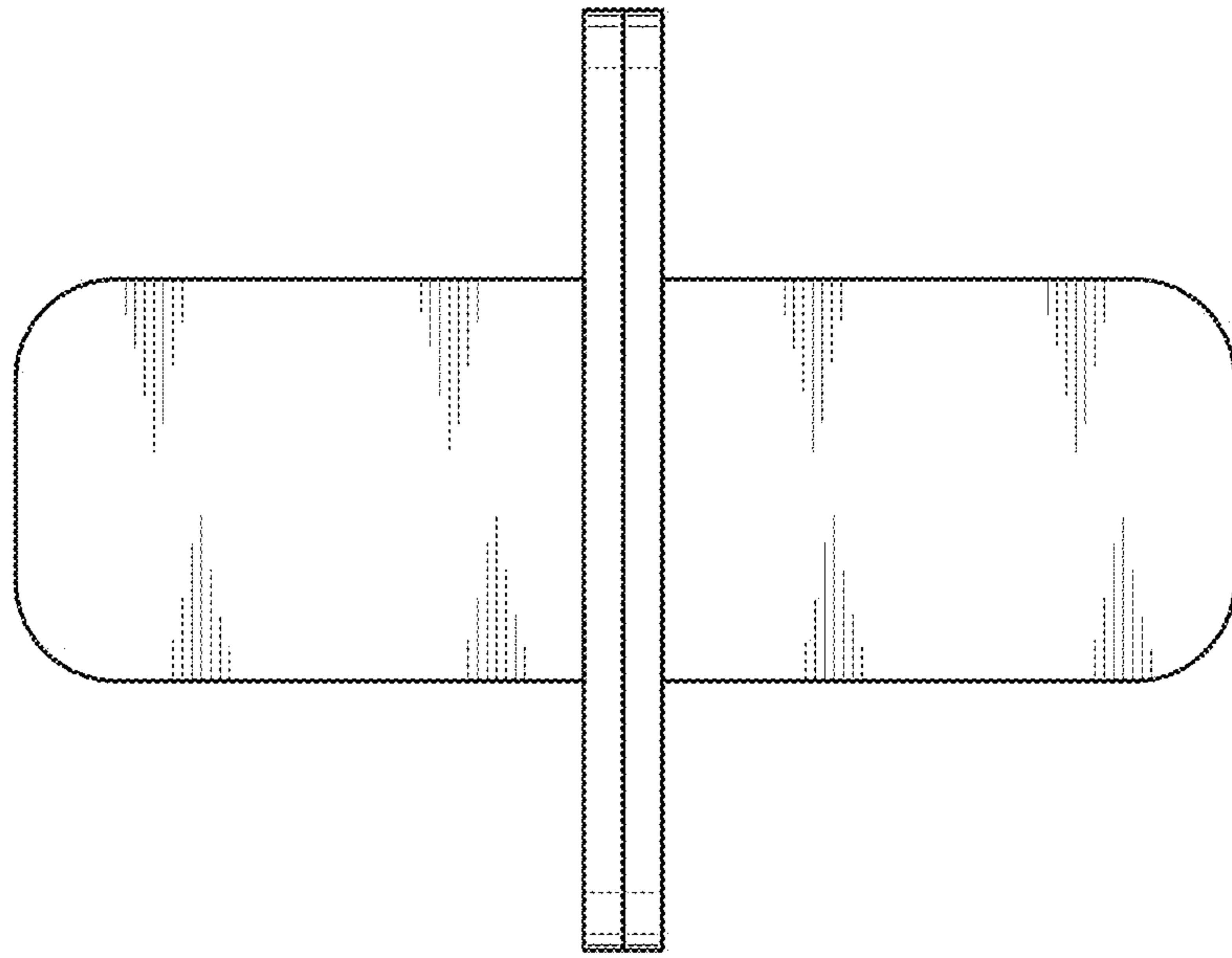


FIG. 4

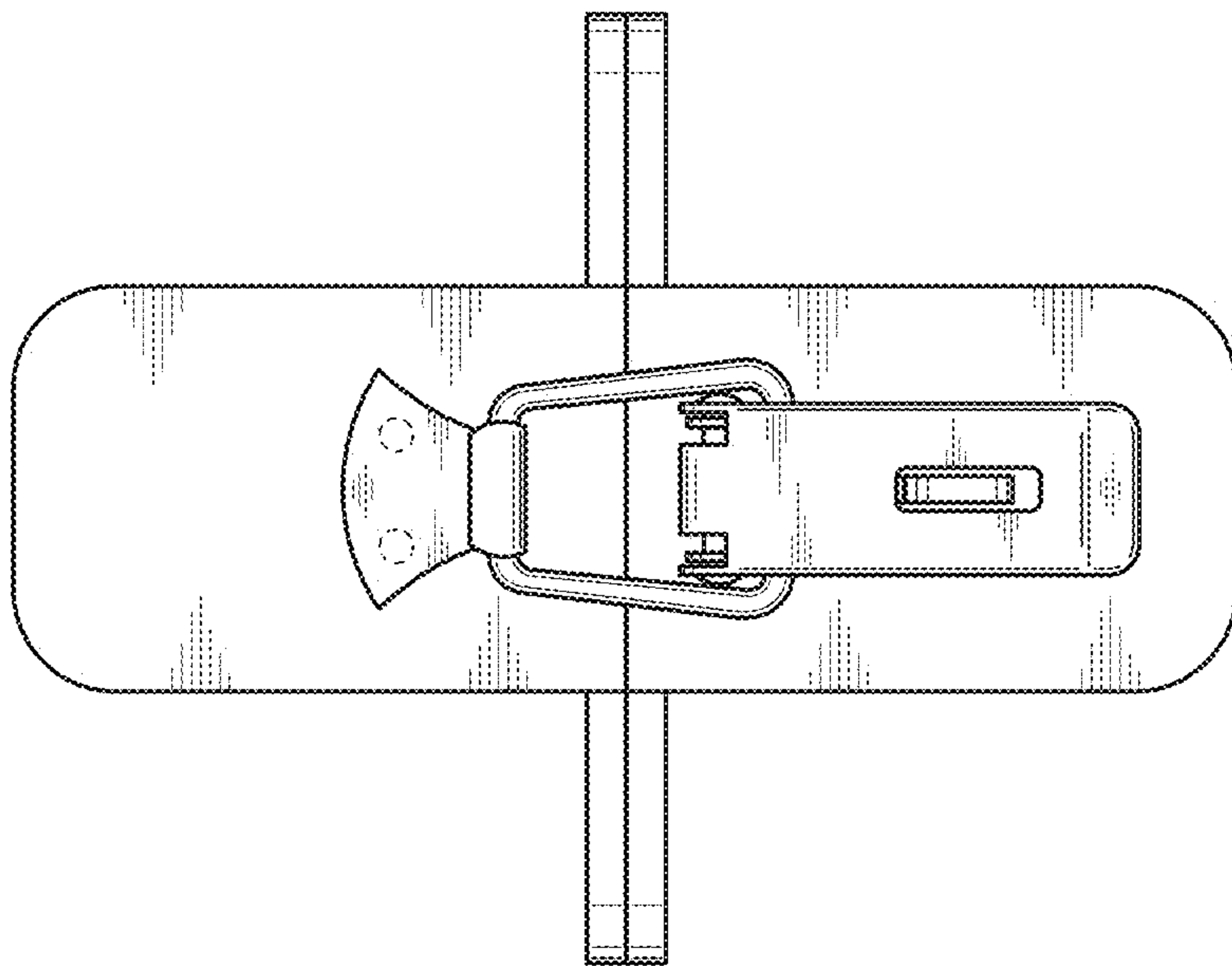


FIG. 5

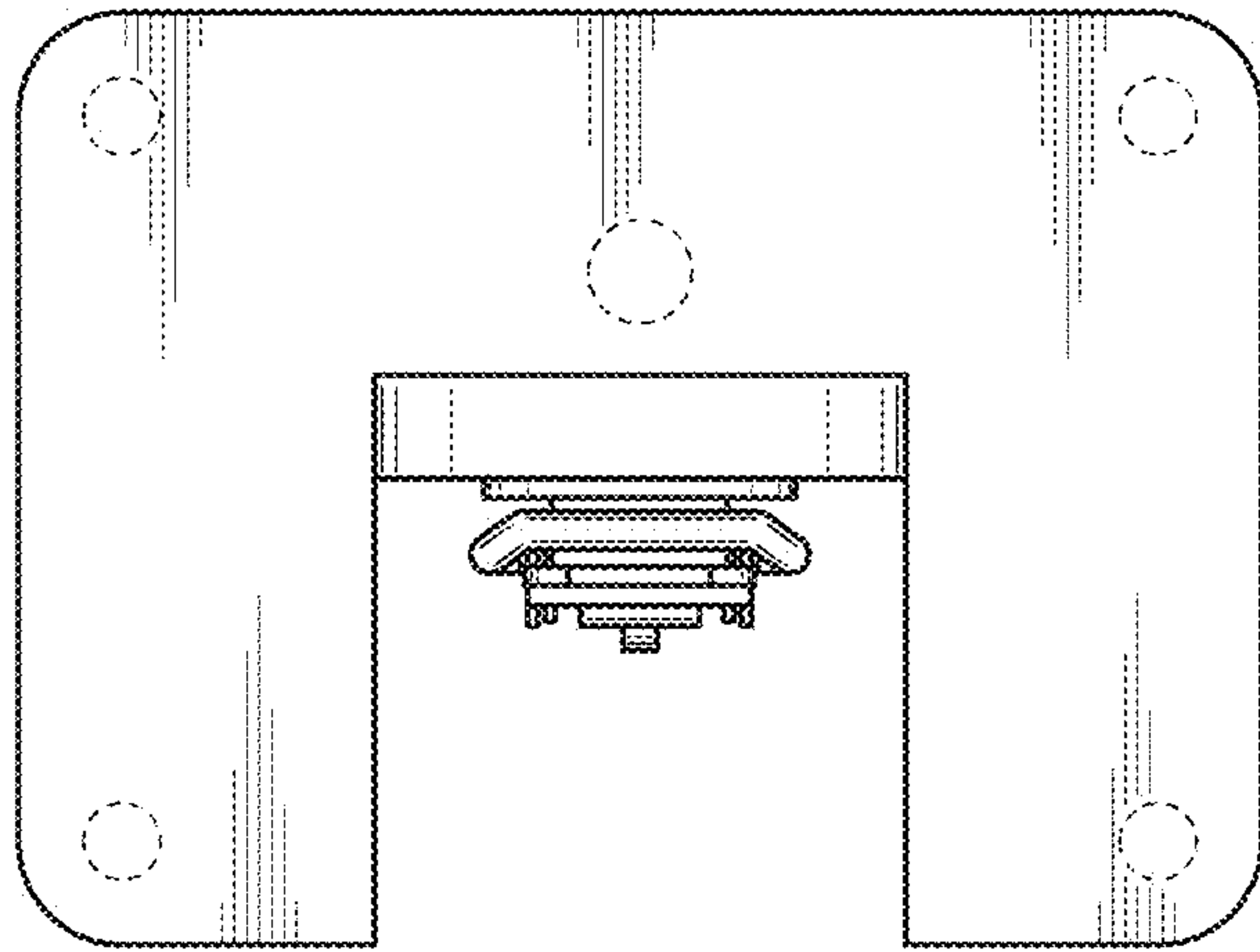


FIG. 6

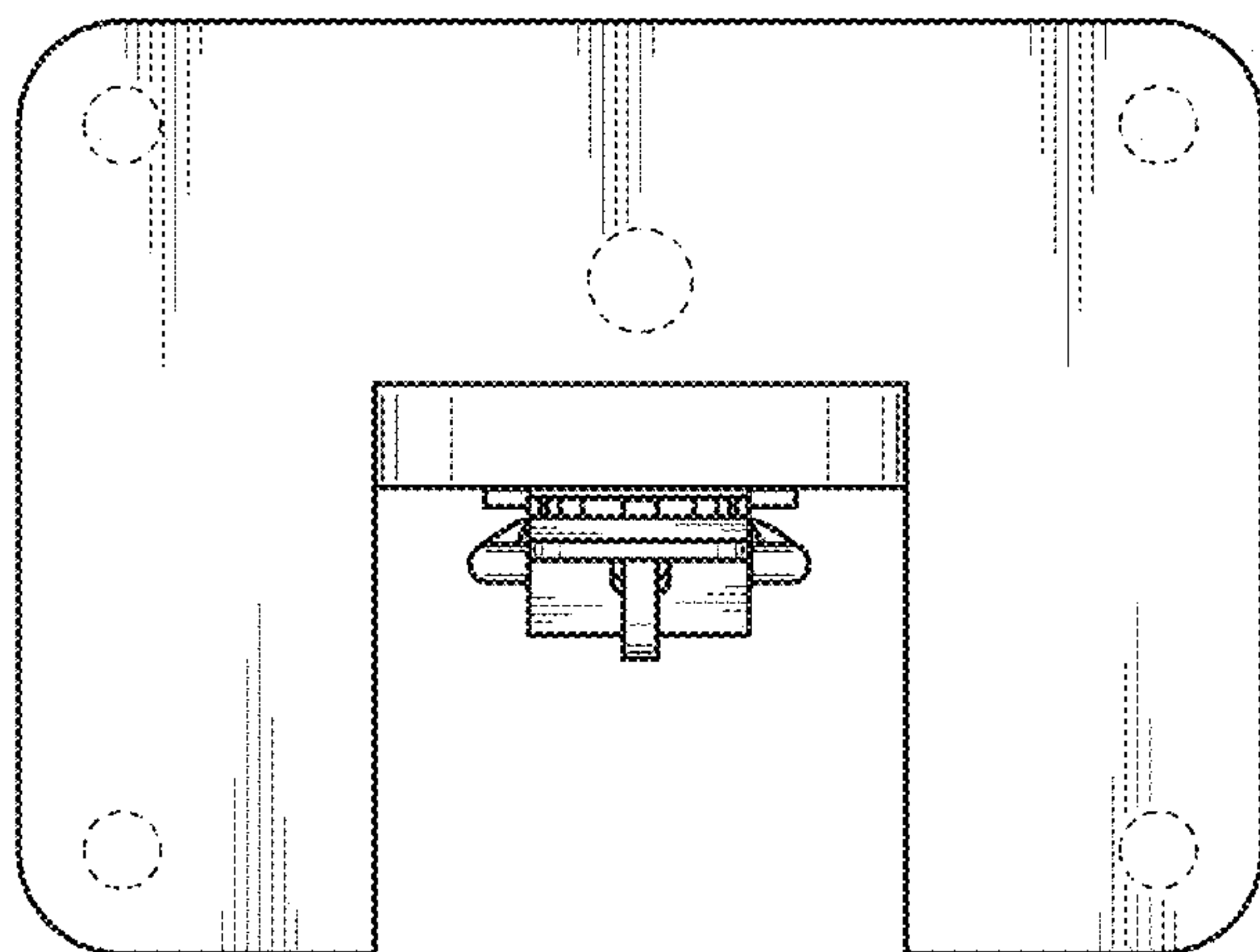


FIG. 7

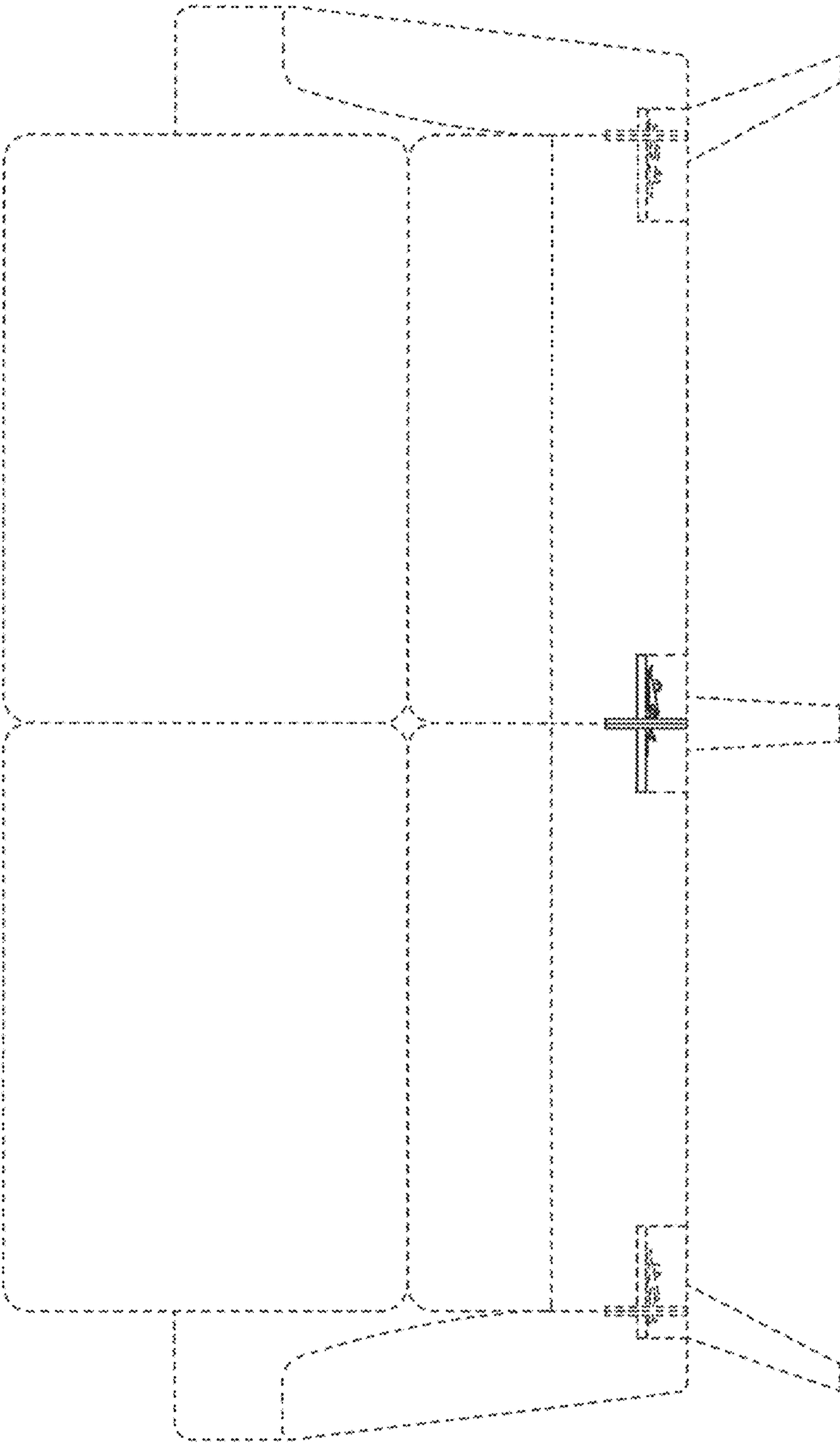


FIG. 8

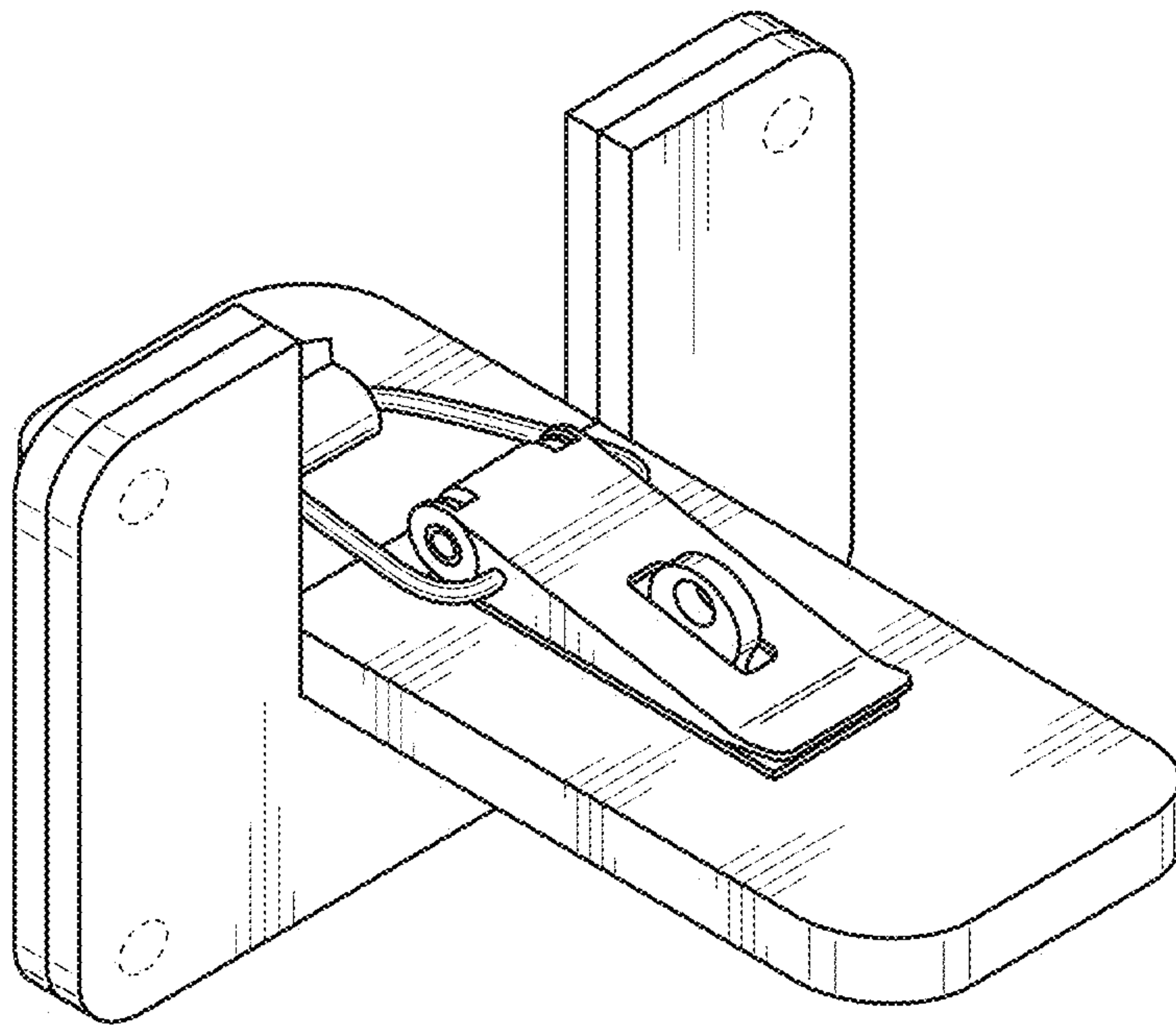


FIG. 9

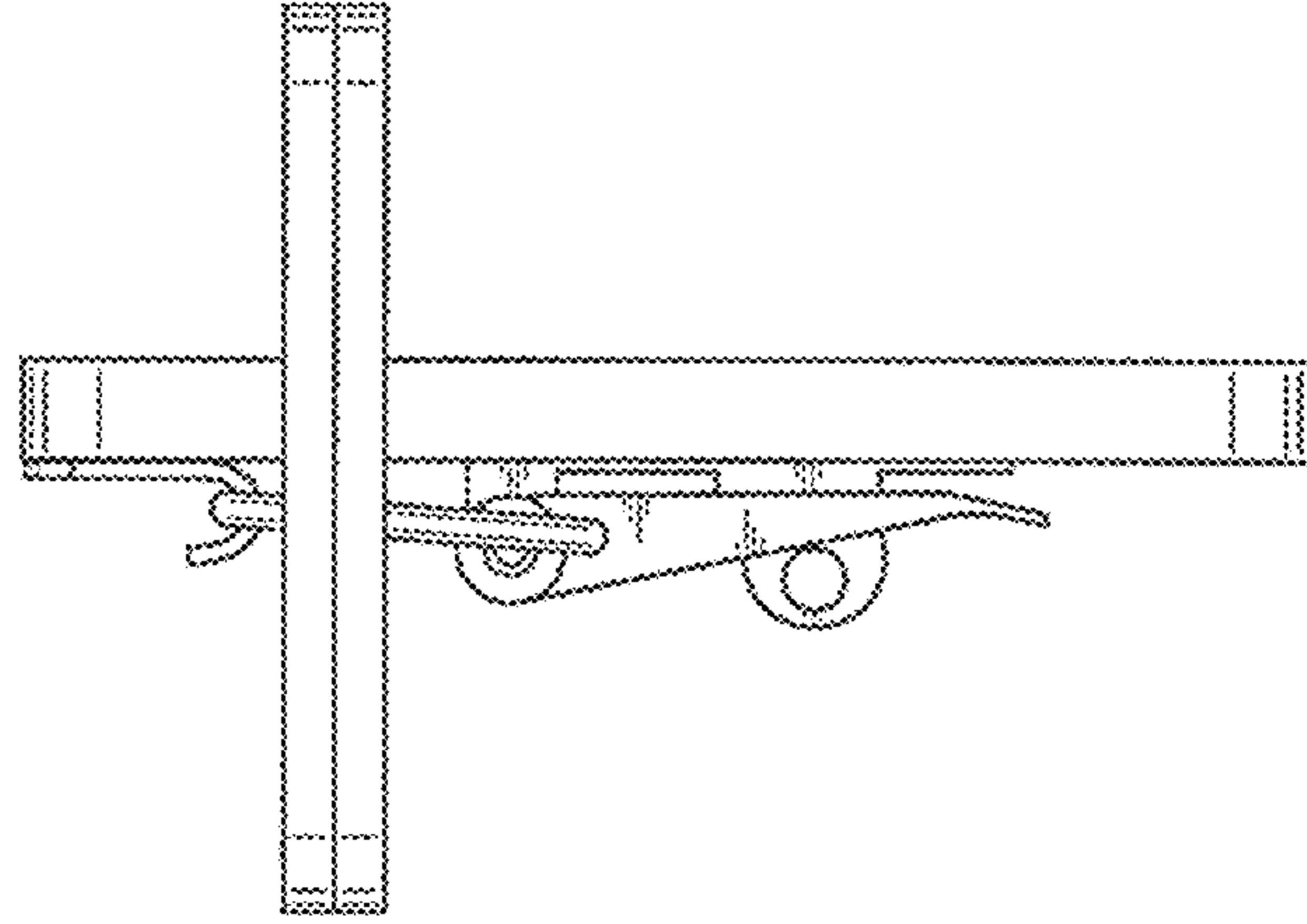


FIG. 10

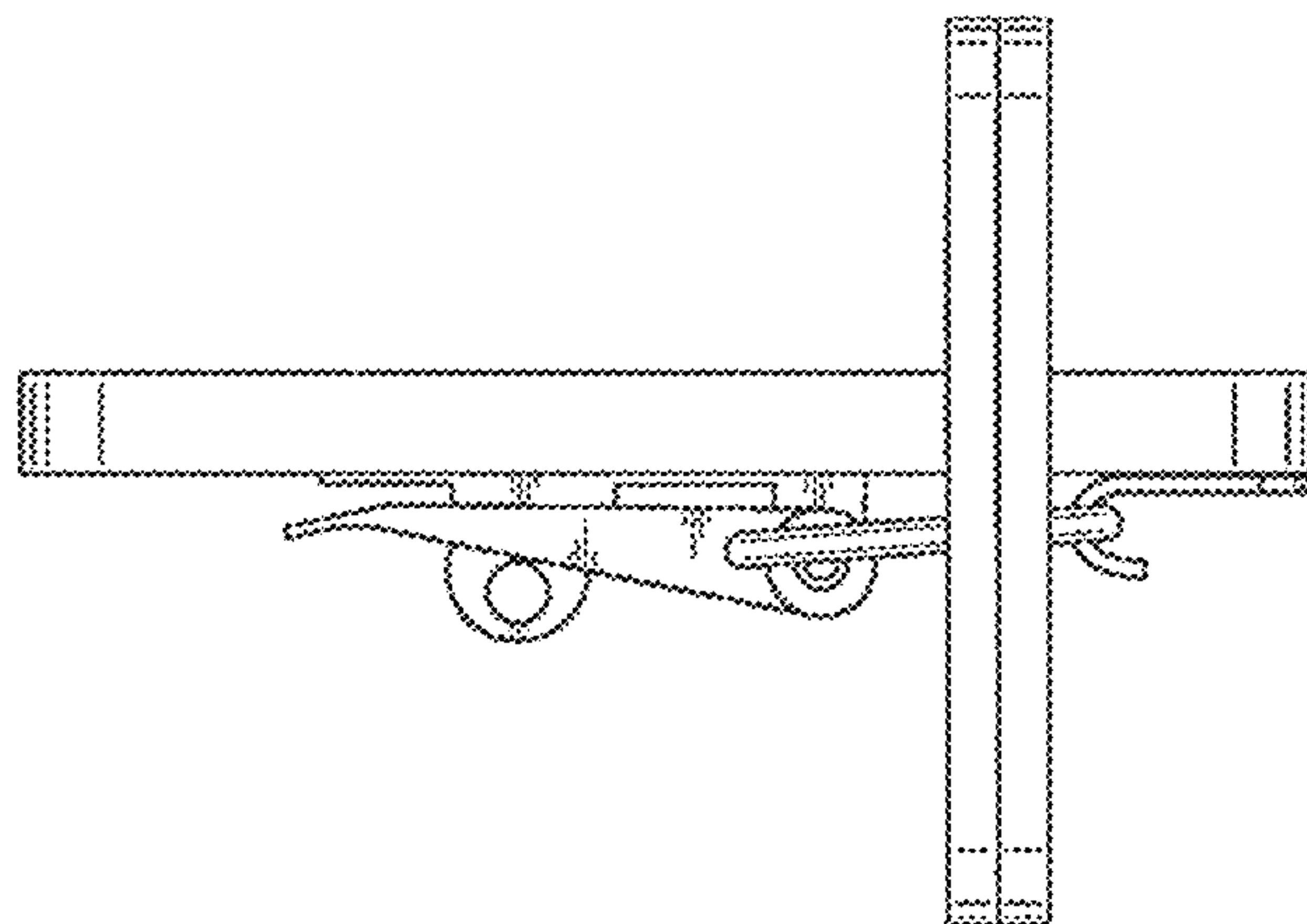


FIG. 11

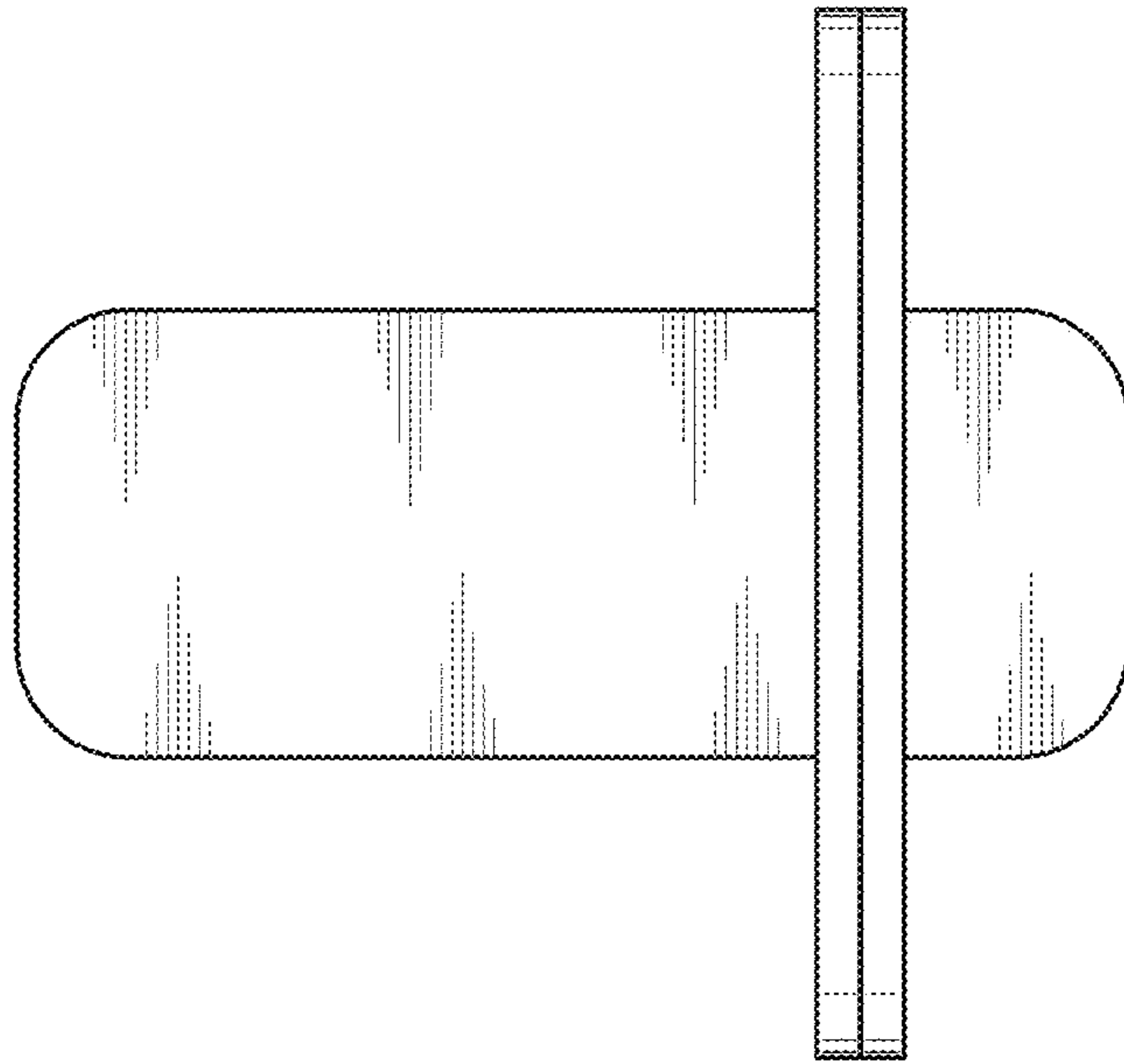


FIG. 12

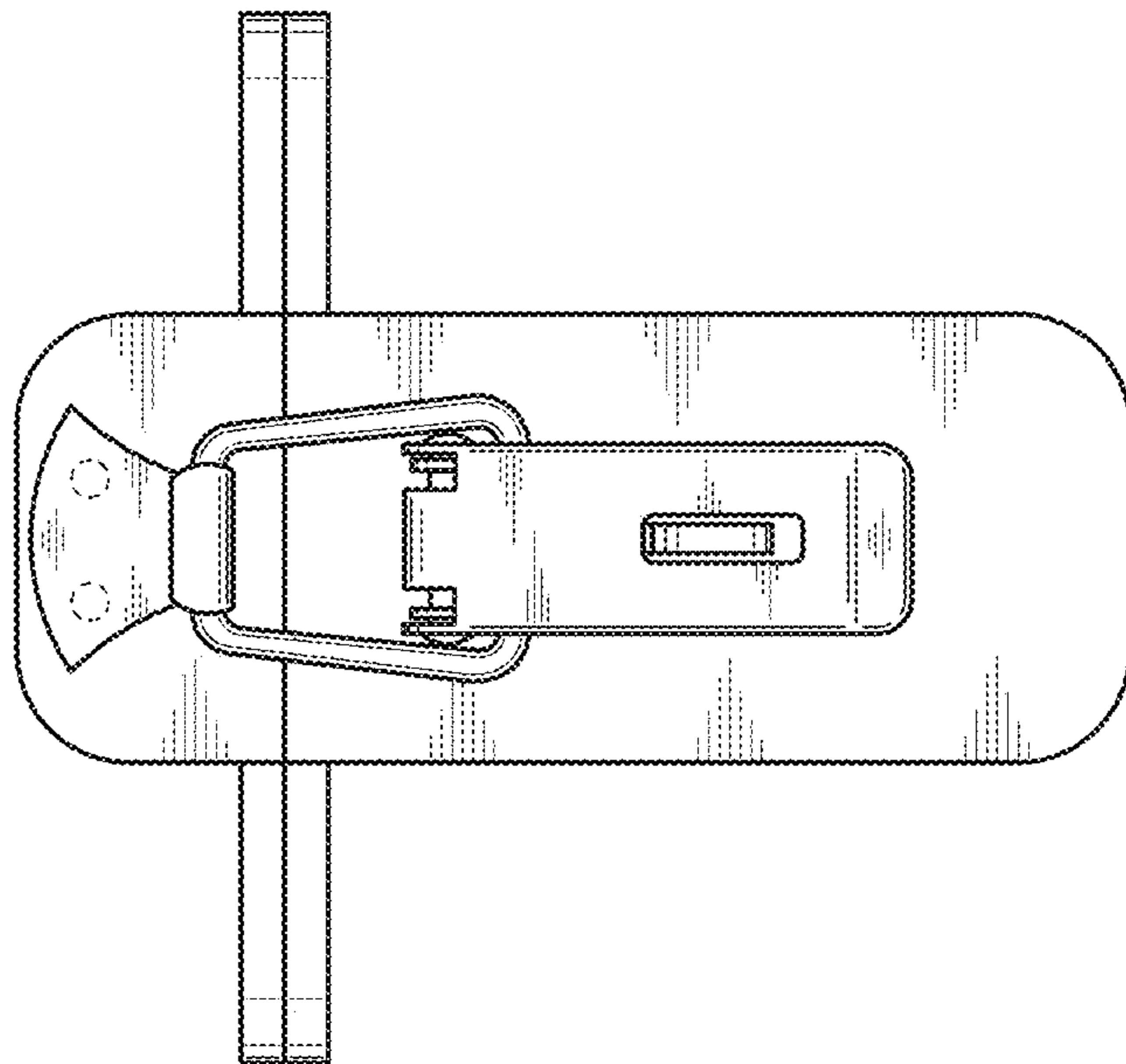


FIG. 13

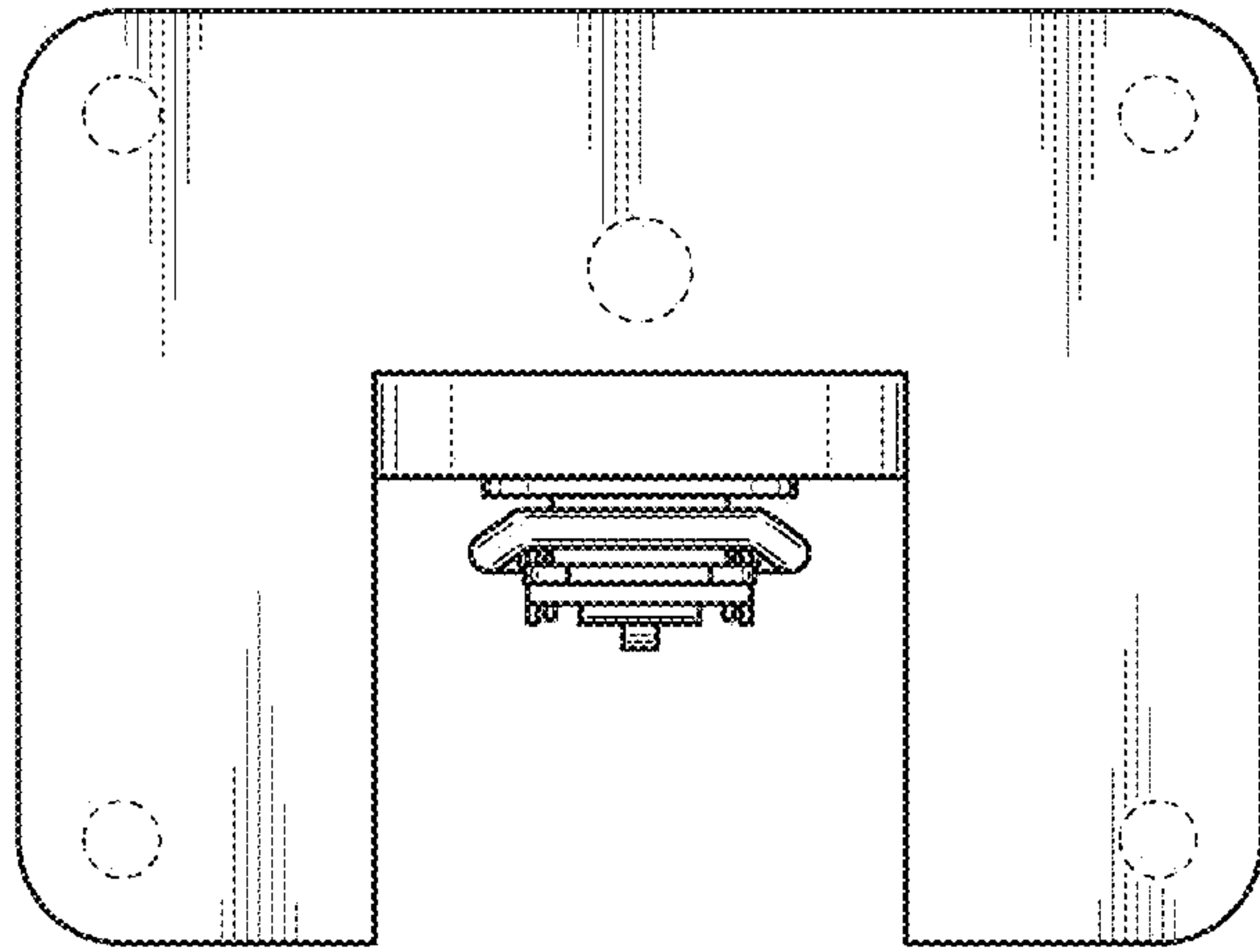


FIG. 14

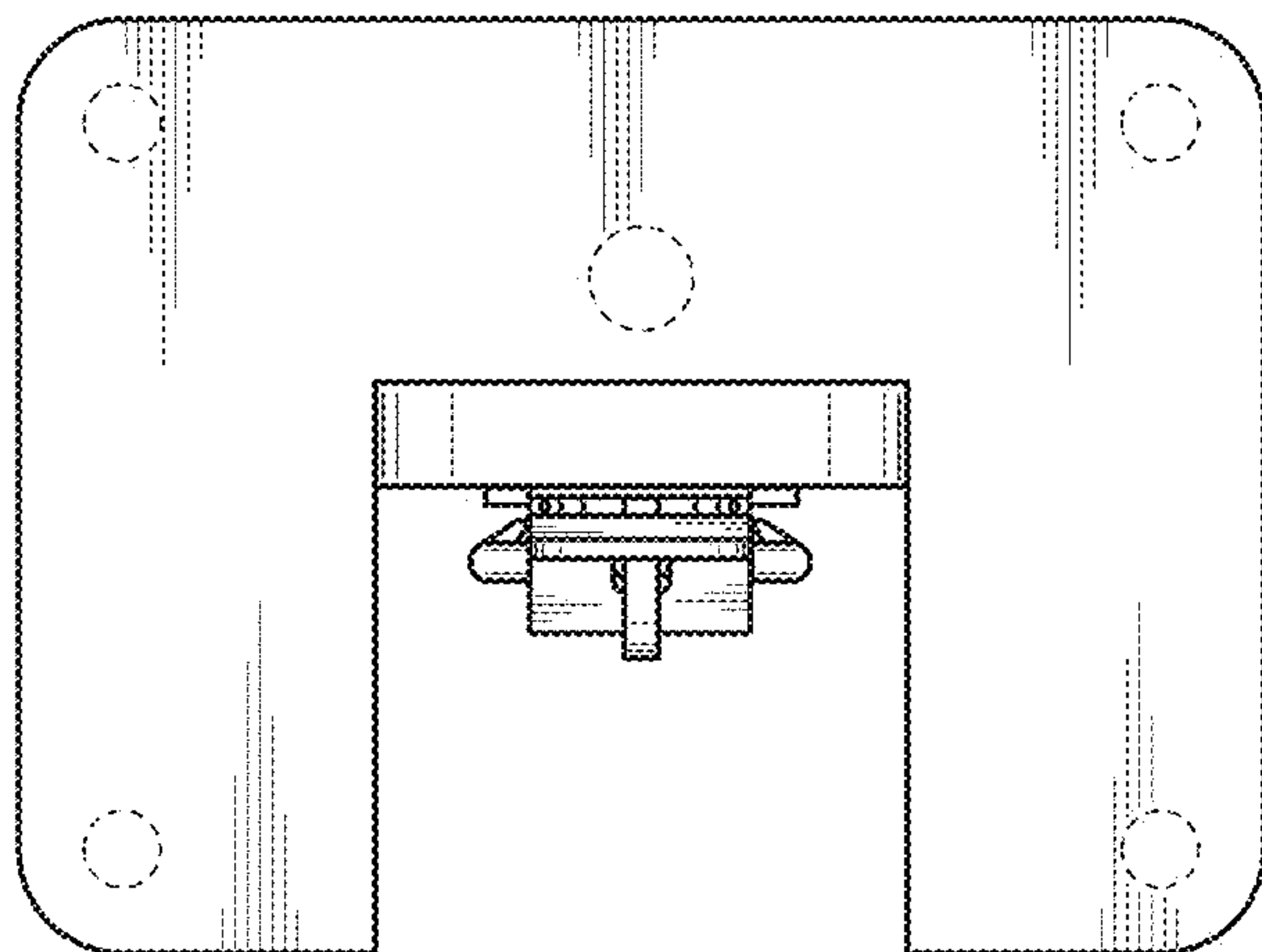


FIG. 15

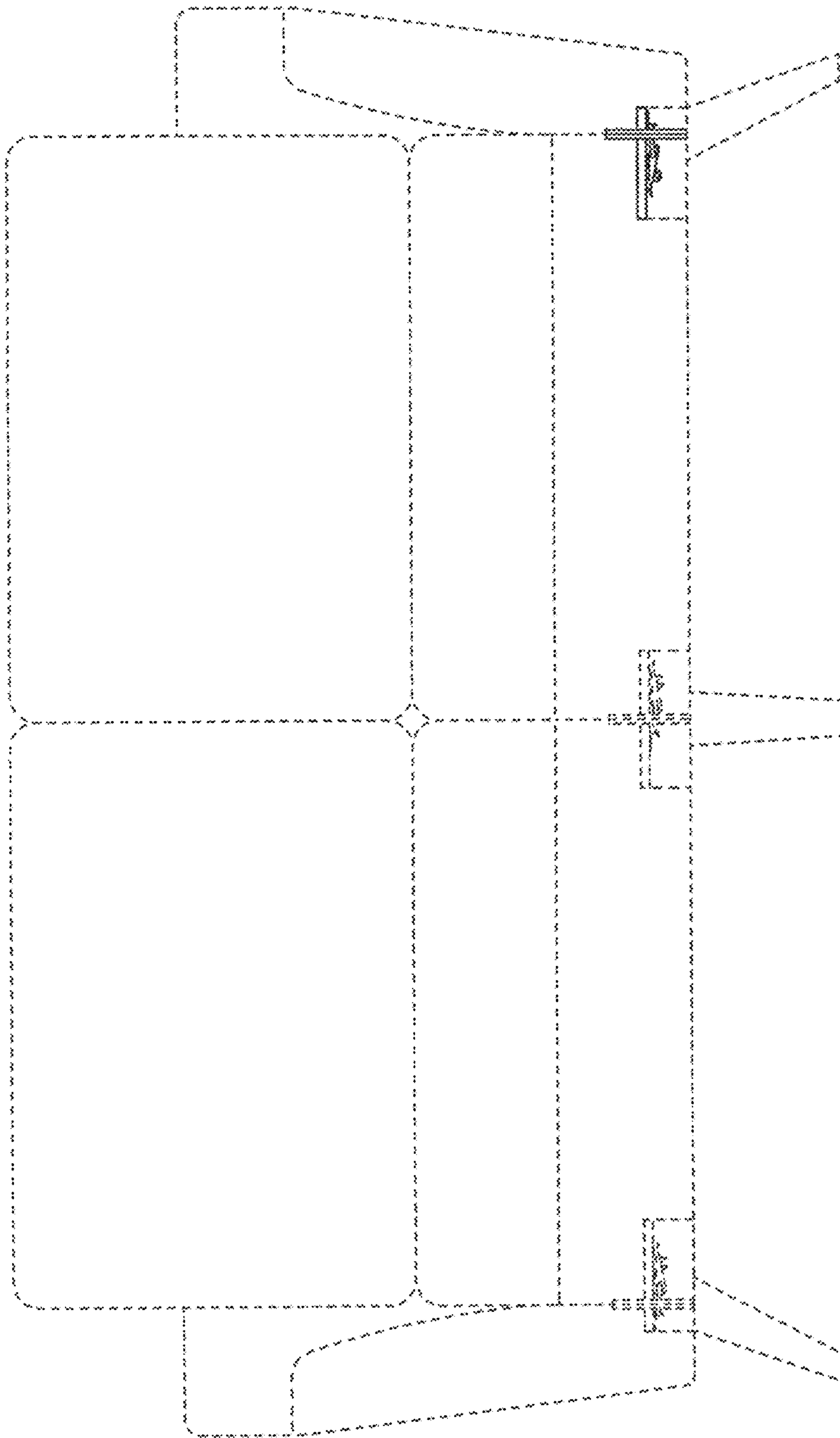


FIG. 16