



US00D922180S

(12) **United States Design Patent**  
**Huawei**

(10) **Patent No.:** **US D922,180 S**

(45) **Date of Patent:** **\*\* Jun. 15, 2021**

(54) **CUP HOOK**

(71) Applicant: **Yao Huawei**, Hengtong Industry (CN)

(72) Inventor: **Yao Huawei**, Hengtong Industry (CN)

(\*\*) Term: **15 Years**

(21) Appl. No.: **29/712,174**

(22) Filed: **Nov. 6, 2019**

(51) **LOC (13) Cl.** ..... **08-05**

(52) **U.S. Cl.**  
USPC ..... **D8/367**

(58) **Field of Classification Search**  
USPC ..... D8/367, 354, 349, 372; D6/323, 601;  
248/301-304, 339; 297/188.03  
CPC ..... A47G 1/17; A47G 1/22; A47G 25/0607  
See application file for complete search history.

(56) **References Cited**

U.S. PATENT DOCUMENTS

D264,789 S *	6/1982	Zyla .....	D6/315
D296,046 S *	6/1988	Marshall .....	D6/315
4,823,962 A *	4/1989	Arias .....	A47G 25/005
			211/113
5,413,301 A *	5/1995	Cadman .....	B65D 73/0071
			211/113
D533,362 S *	12/2006	Giampavolo .....	D6/328

D593,757 S *	6/2009	Barker .....	D6/315
D792,922 S *	7/2017	Benson .....	D17/22
D822,464 S *	7/2018	Kwiatkowski .....	D8/367
10,197,217 B2 *	2/2019	Will .....	A47G 1/1633
D878,186 S *	3/2020	Toye .....	D8/370
D899,234 S *	10/2020	Chen .....	D8/367

\* cited by examiner

*Primary Examiner* — Cynthia R Underwood

(74) *Attorney, Agent, or Firm* — Pasadena Legal Group;  
Norman R. Van Treeck

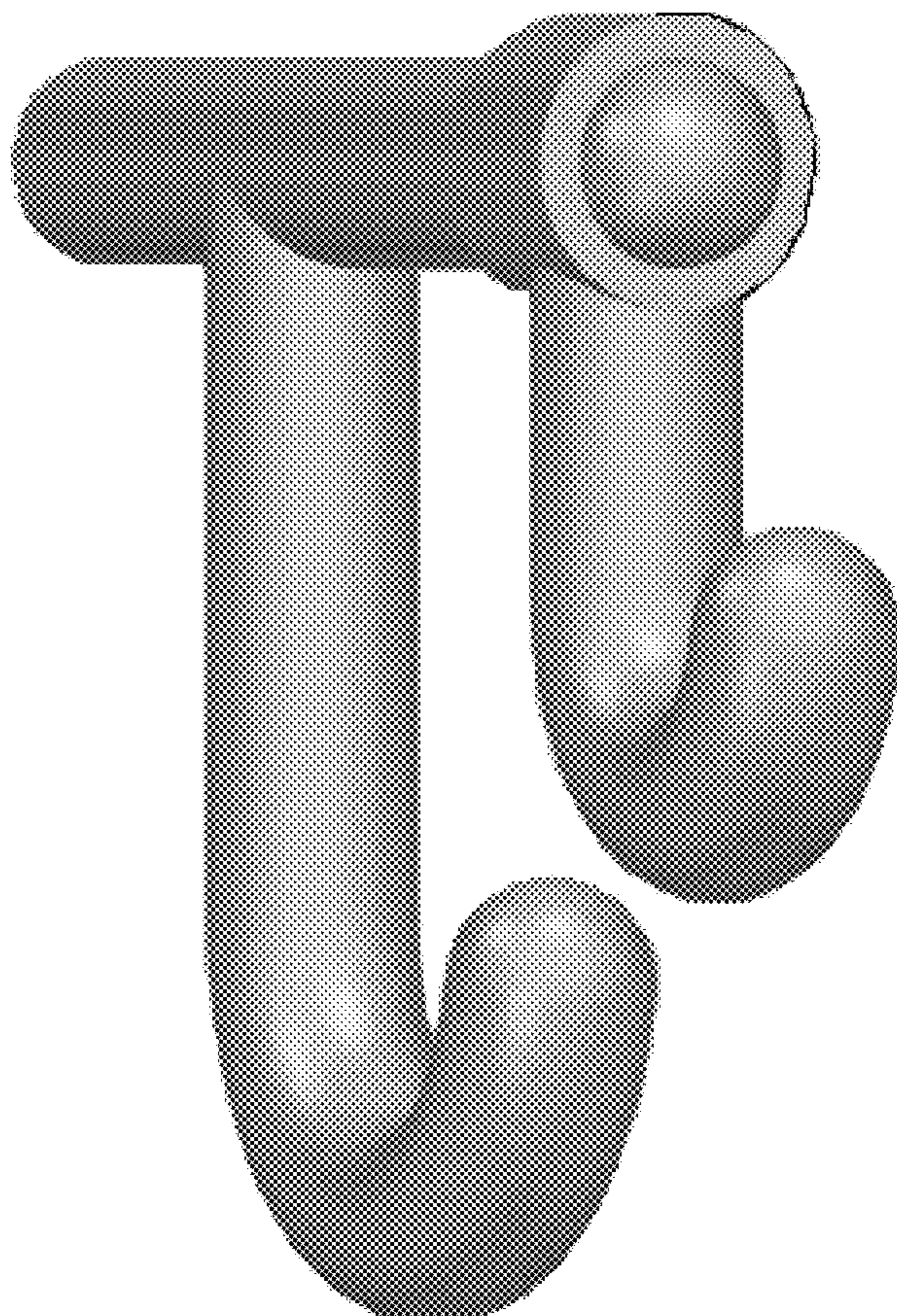
(57) **CLAIM**

The ornamental design of a cup hook, as shown and described.

**DESCRIPTION**

FIG. 1 is a front perspective view of a cup hook according to my new design;  
FIG. 2 is a top view of the cup hook shown in FIG. 1;  
FIG. 3 is a bottom view of the cup hook shown in FIG. 1;  
FIG. 4 is a left side view of the cup hook shown in FIG. 1, where the right side is a mirror image; and,  
FIG. 5 is a front side perspective view of the cup hook shown in FIG. 1.

**1 Claim, 4 Drawing Sheets**



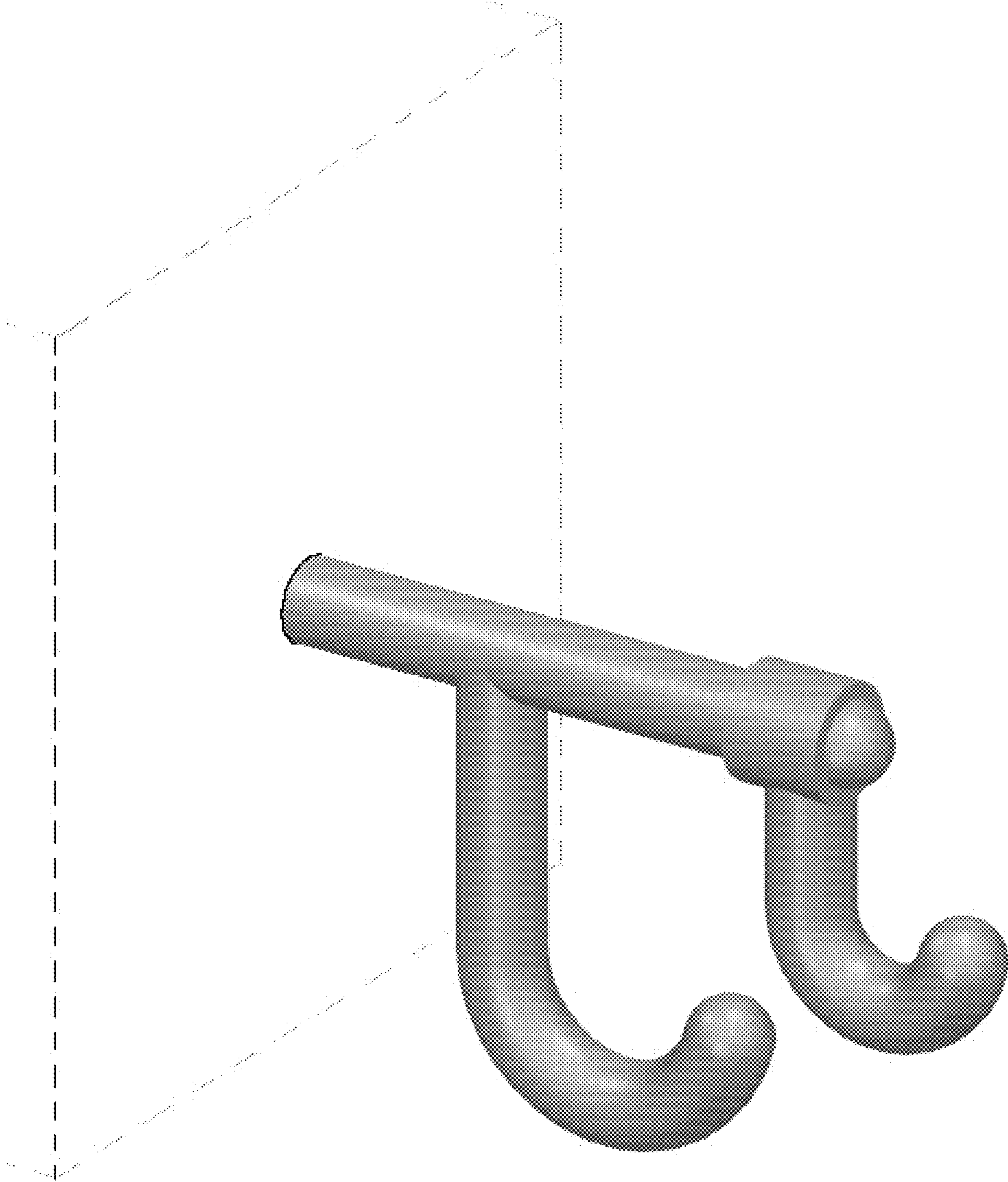


FIG. 1

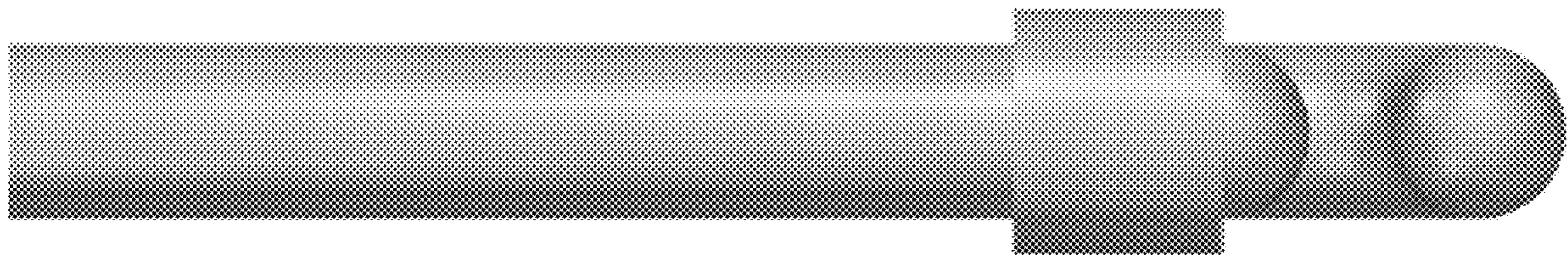


FIG. 2

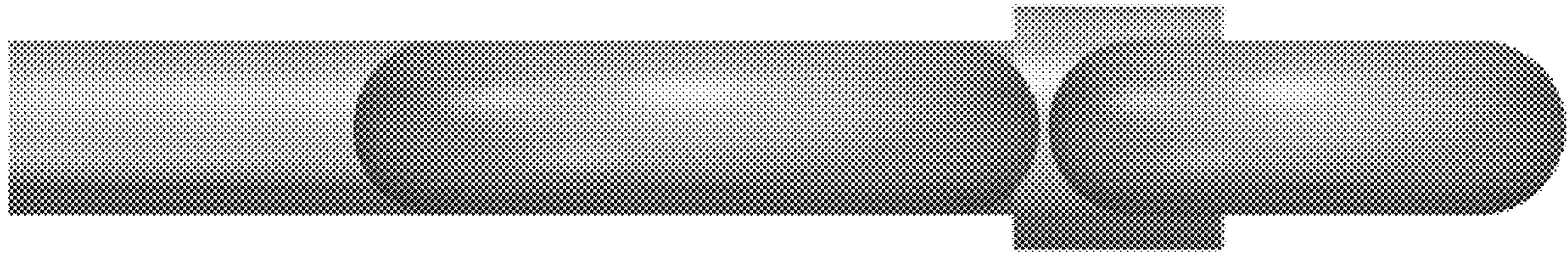


FIG. 3

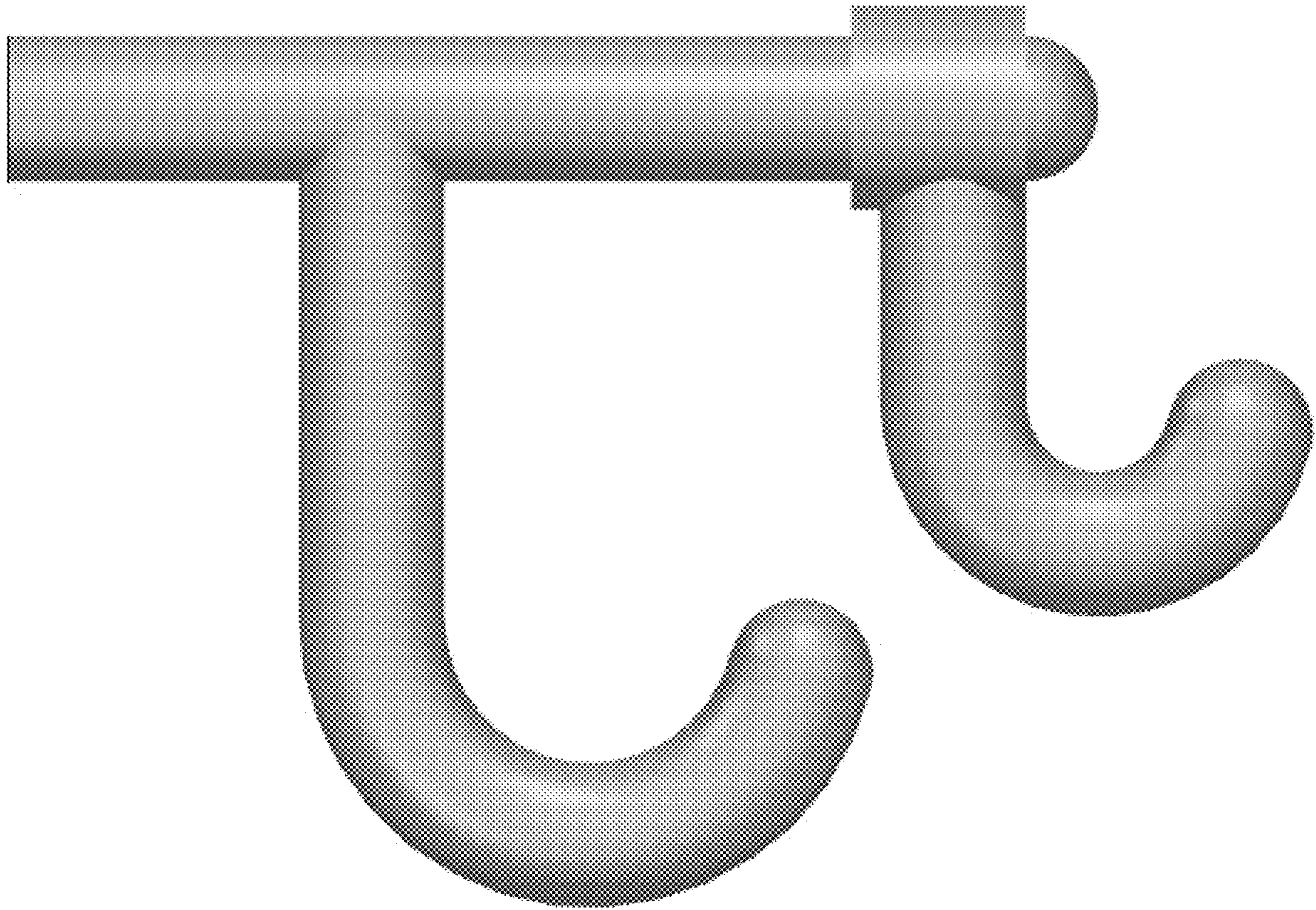


FIG. 4

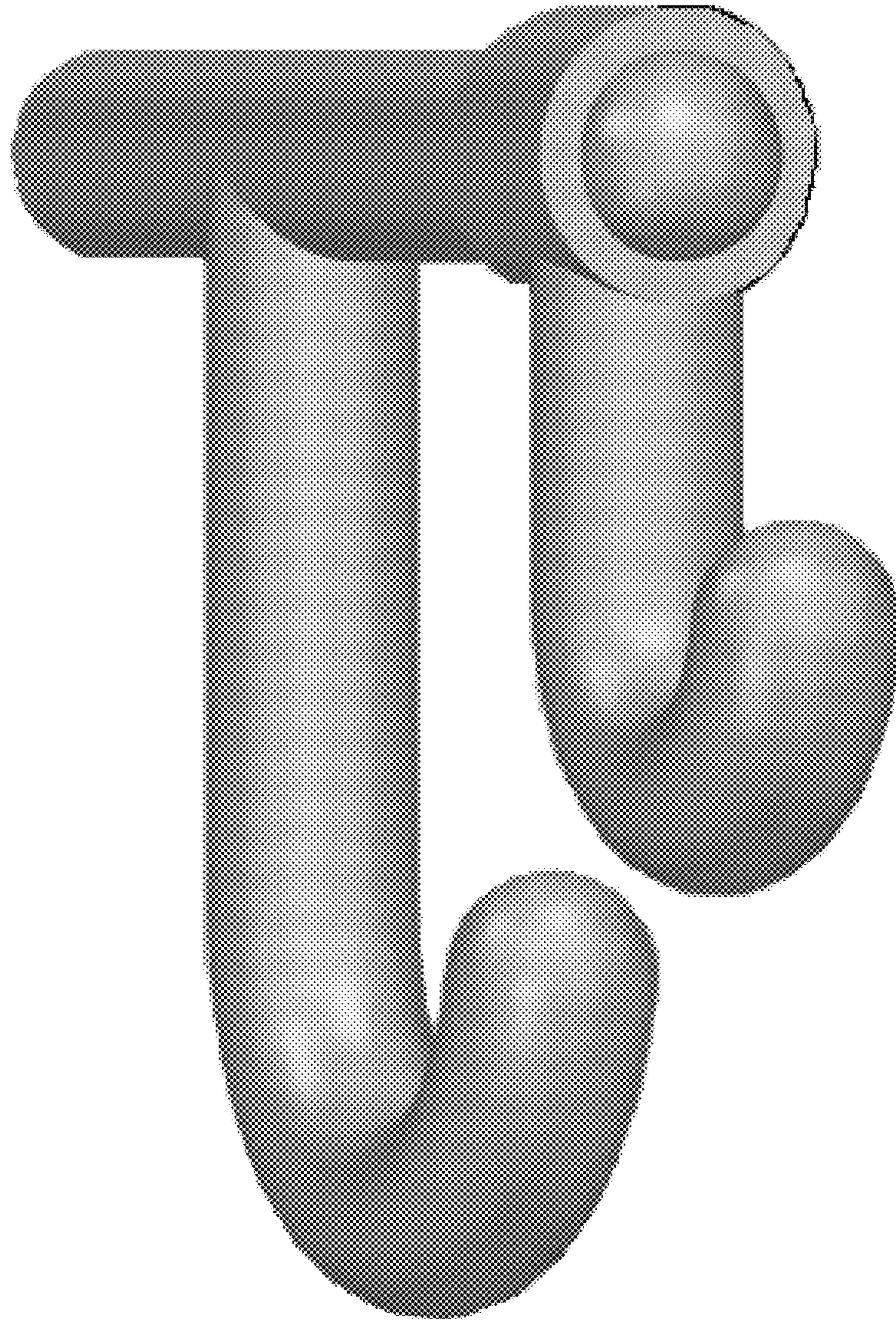


FIG. 5