



US00D922177S

(12) **United States Design Patent**
Pride

(10) **Patent No.:** **US D922,177 S**

(45) **Date of Patent:** **** Jun. 15, 2021**

(54) **BRACKET**

(71) Applicant: **Faron Pride**, Moberly, MO (US)

(72) Inventor: **Faron Pride**, Moberly, MO (US)

(**) Term: **15 Years**

(21) Appl. No.: **29/725,312**

(22) Filed: **Feb. 24, 2020**

(51) **LOC (13) Cl.** **08-08**

(52) **U.S. Cl.**
USPC **D8/349**

(58) **Field of Classification Search**
USPC D8/29, 22, 24, 25, 26, 36, 349, 354, 356,
D8/363, 366, 371
CPC ... F16C 11/0695; F16C 11/0604; F16C 11/06;
F16C 11/0685; F16M 2200/024; F16B
5/0657; F16B 5/0664; F16B 21/09; F16B
45/00; H04B 1/3877; G06F 1/1632;
H04M 1/06

See application file for complete search history.

(56) **References Cited**

U.S. PATENT DOCUMENTS

D250,875 S *	1/1979	Lindblom	D8/356
D250,876 S *	1/1979	Lindblom	D8/356
D292,690 S *	11/1987	Knutson	D12/202
D344,446 S *	2/1994	Egigian	D8/356
D345,336 S *	3/1994	Pigott, Jr.	D12/202
D424,414 S *	5/2000	Ziaylek	D8/373

D454,479 S *	3/2002	Kolpin	D8/349
7,191,997 B2 *	3/2007	Bremmon	F16F 15/02 248/559
D826,906 S *	8/2018	Lasnier de Lavalette	...	D14/224
D903,932 S *	12/2020	Hu	D26/113
D906,787 S *	1/2021	Gaspar	D8/349
D909,184 S *	2/2021	Miller	D8/354
D911,155 S *	2/2021	Kondo	D8/382

* cited by examiner

Primary Examiner — Mark A Goodwin
Assistant Examiner — Benjamin M Weeks

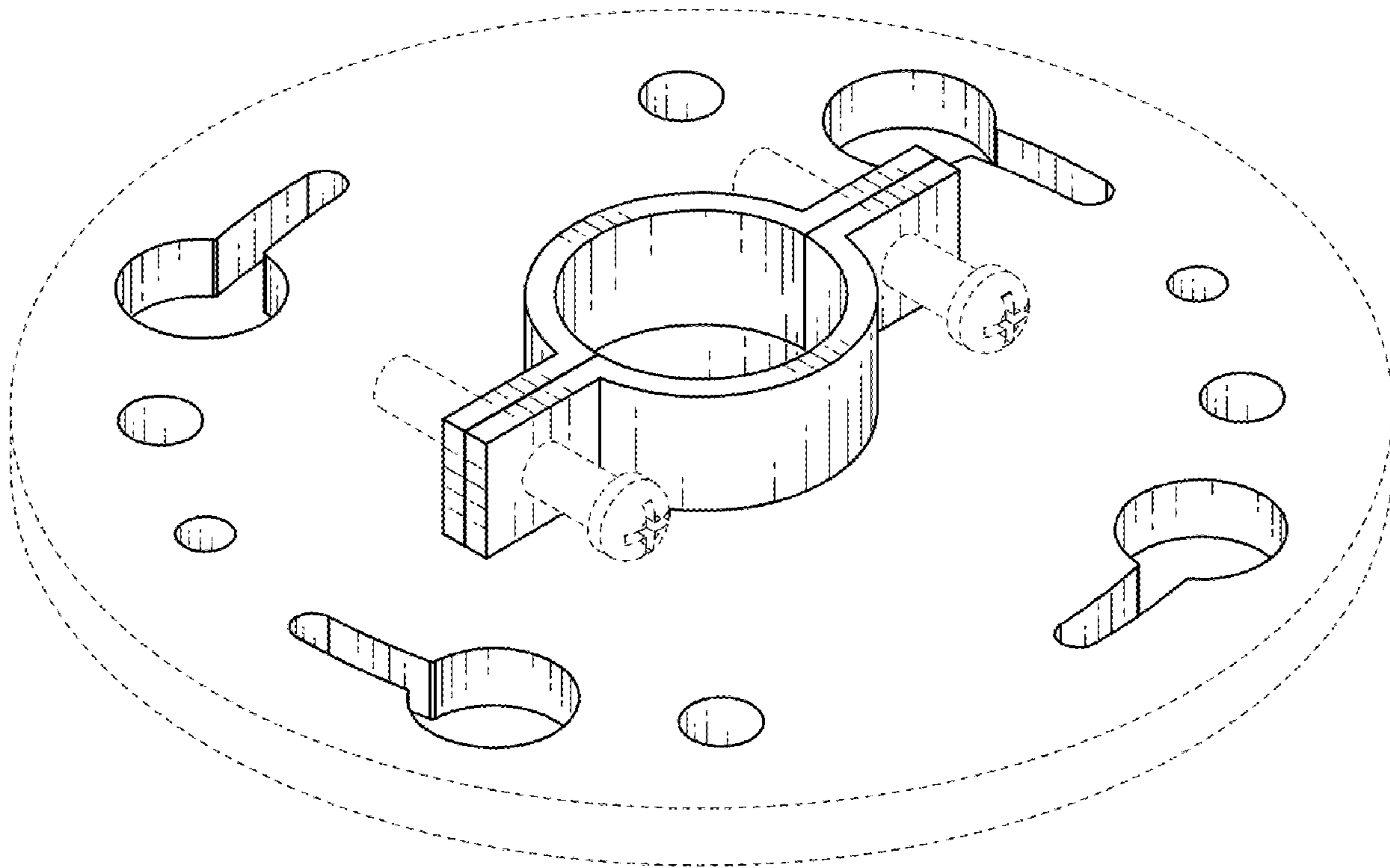
(57) **CLAIM**

The ornamental design for a bracket, as shown and described.

DESCRIPTION

FIG. 1 is a front-top perspective view of a bracket showing my new design;
FIG. 2 is a front-bottom perspective view thereof;
FIG. 3 is a rear-top perspective view thereof;
FIG. 4 is a front elevational view thereof;
FIG. 5 is a rear elevational view thereof;
FIG. 6 is a right elevational view thereof;
FIG. 7 is a left elevational view thereof;
FIG. 8 is a top plan view thereof; and,
FIG. 9 is a bottom plan view thereof.
The broken lines shown are for illustrative purposes only and form no part of the claimed design.

1 Claim, 9 Drawing Sheets



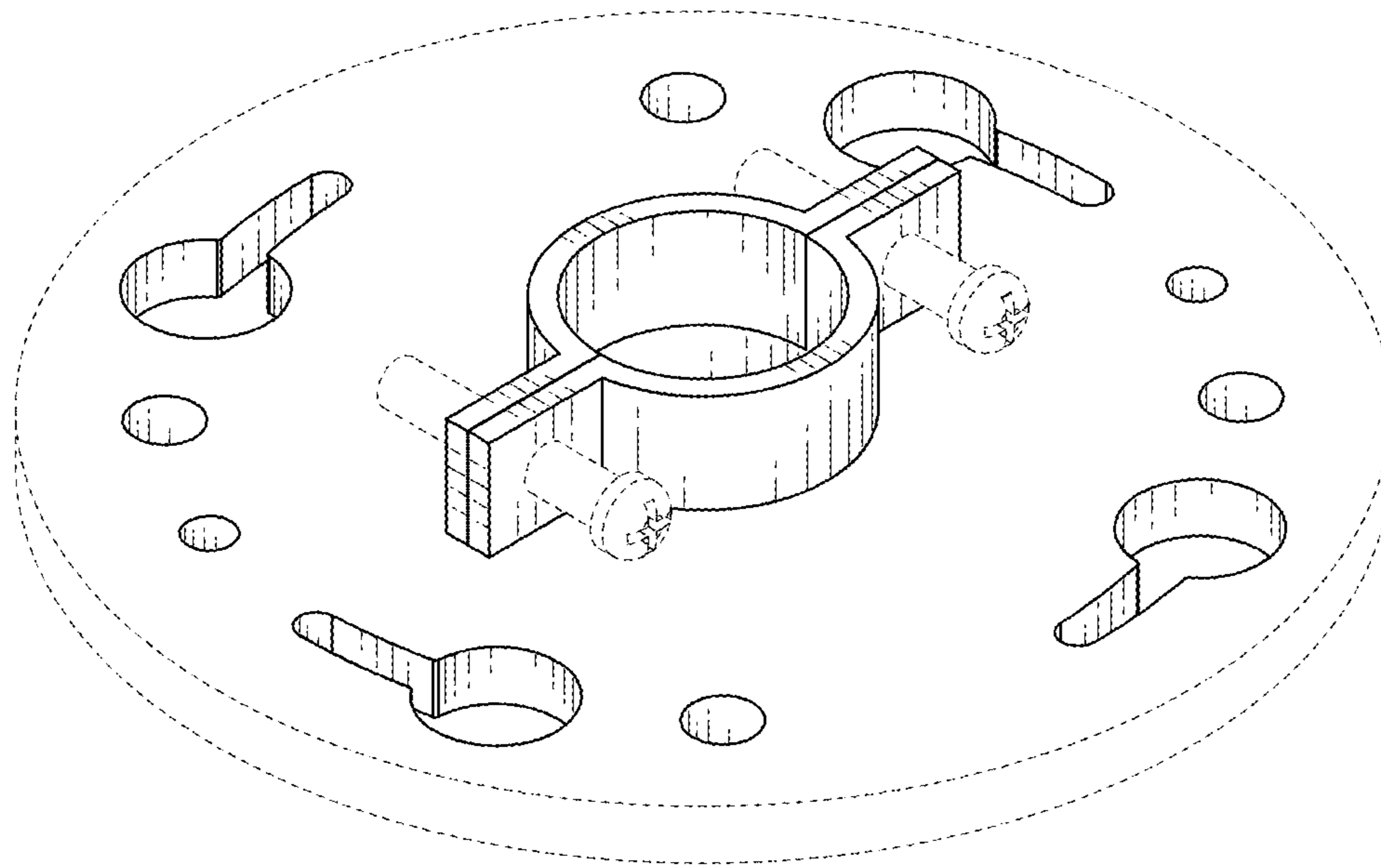


FIG. 1

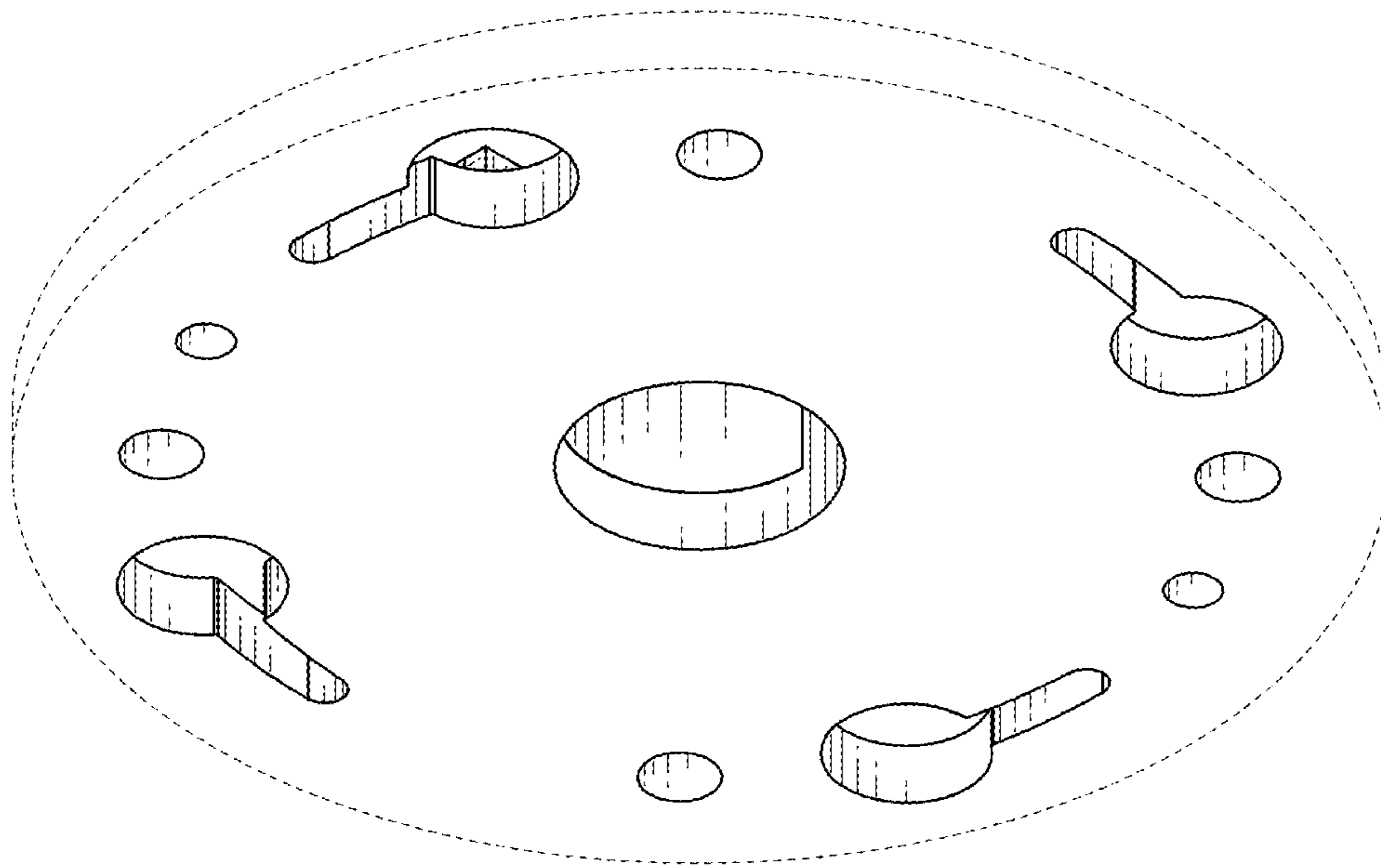


FIG. 2

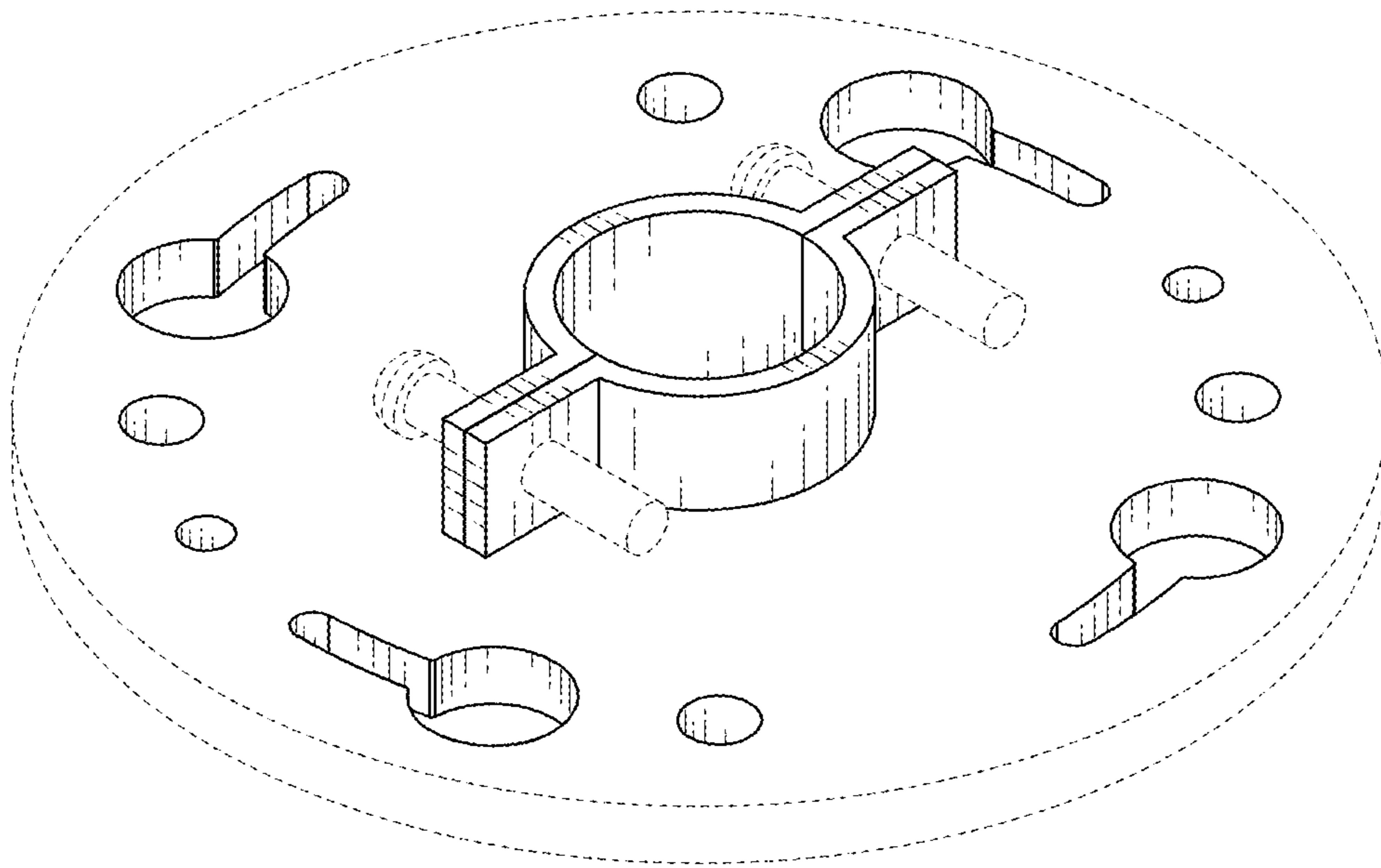


FIG. 3

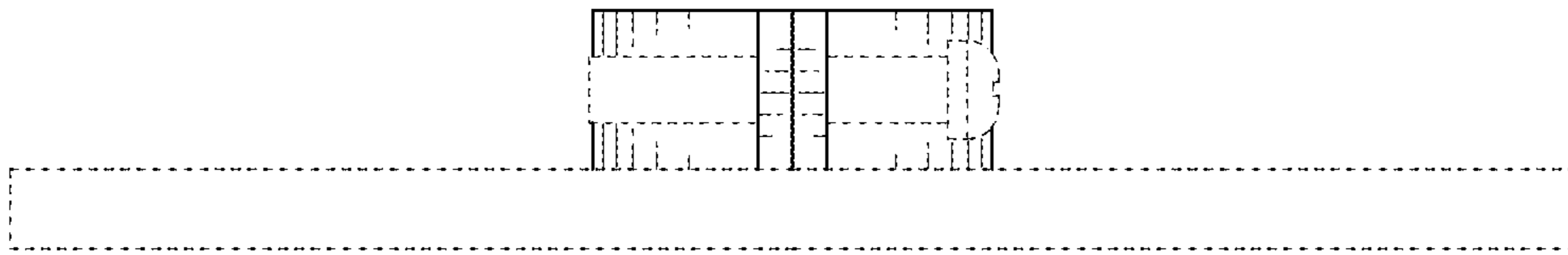


FIG. 4

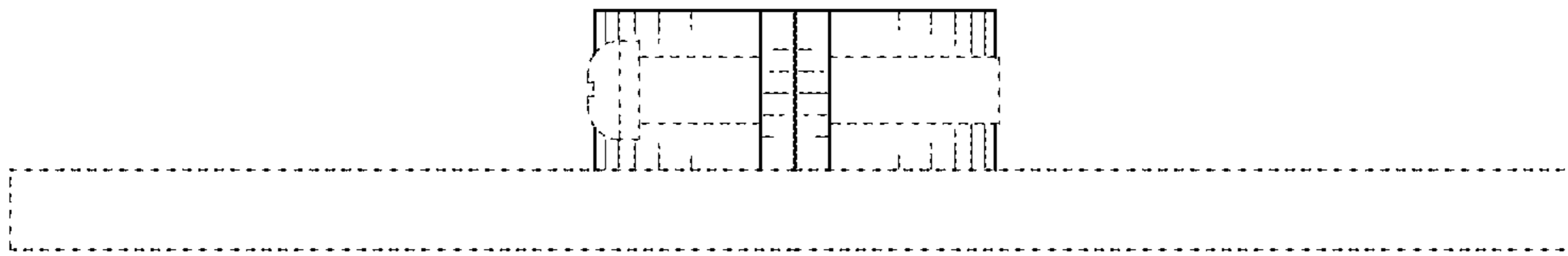


FIG. 5

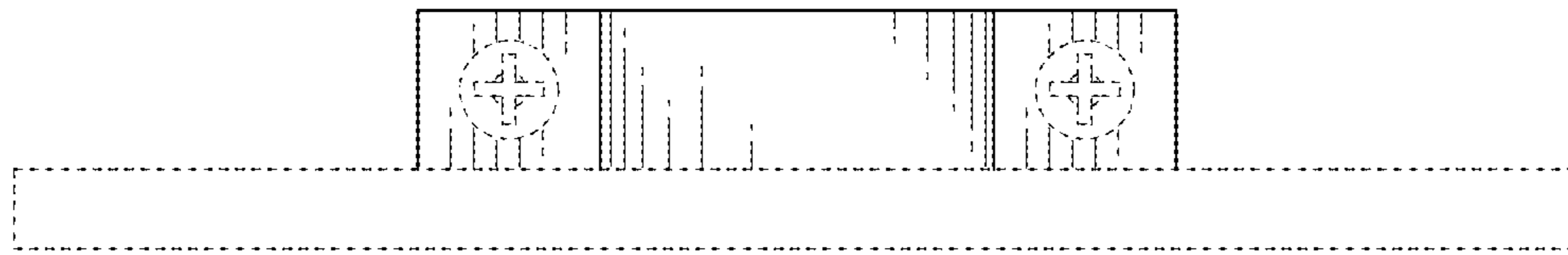


FIG. 6

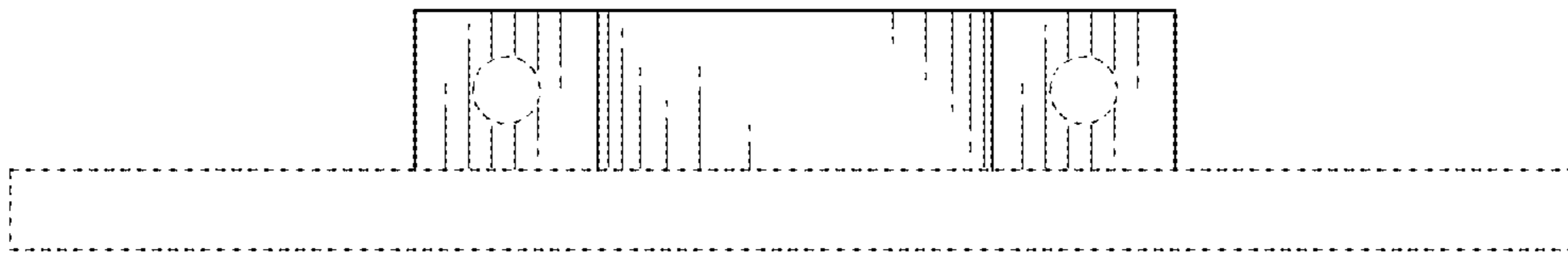


FIG. 7

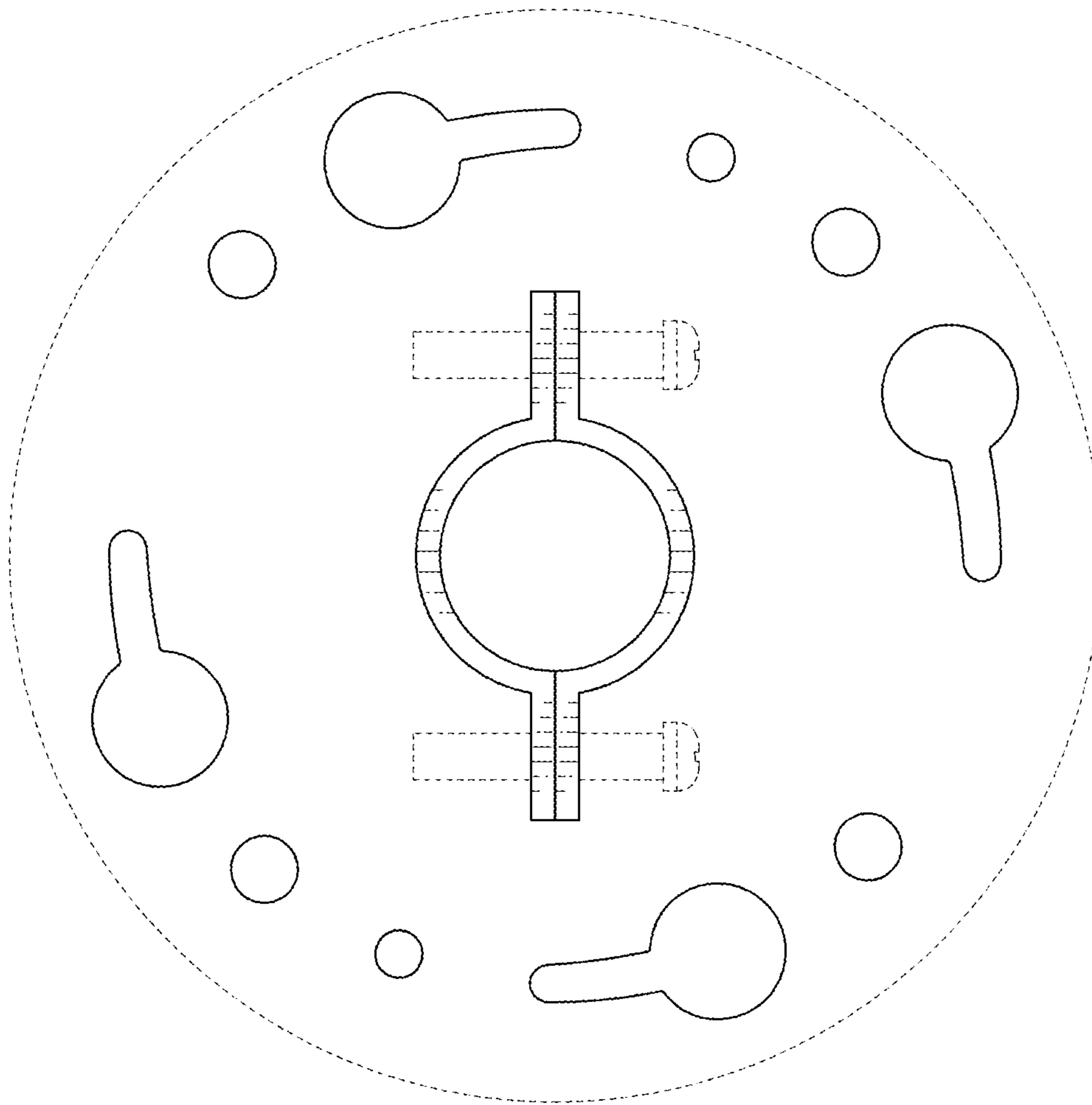


FIG. 8

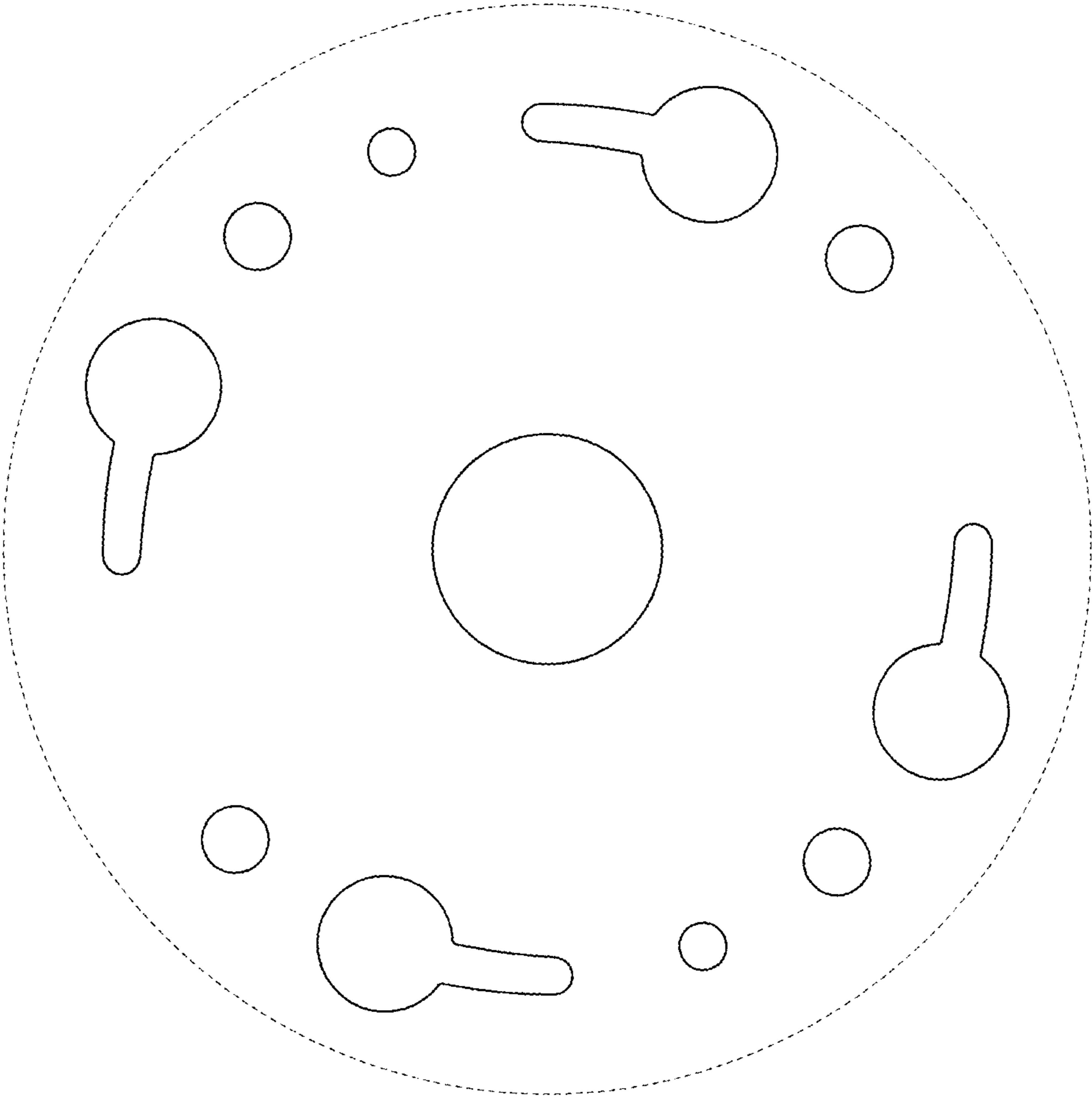


FIG. 9