



US00D922176S

(12) **United States Design Patent** (10) **Patent No.:** **US D922,176 S**
Bullock et al. (45) **Date of Patent:** **** Jun. 15, 2021**

(54) **LATCH**
(71) Applicant: **YETI Coolers, LLC**, Austin, TX (US)
(72) Inventors: **Dustin Bullock**, Austin, TX (US); **John Loudenslager**, Austin, TX (US); **John Fritz**, Austin, TX (US); **Michael Cieszko**, Austin, TX (US); **Andrew J. Winterhalter**, Austin, TX (US)
(73) Assignee: **YETI Coolers, LLC**, Austin, TX (US)

2,856,092 A 10/1958 Knapp
3,035,733 A 5/1962 Knapp
3,414,160 A 12/1968 Weber
4,143,695 A 3/1979 Hoehn
4,162,029 A 7/1979 Gottsegen et al.
4,351,165 A 9/1982 Gottsegen et al.
4,368,819 A 1/1983 Durham
4,459,827 A 7/1984 Rhodes
4,484,682 A 11/1984 Crow
4,537,044 A 8/1985 Putnam
4,592,482 A 6/1986 Seager

(Continued)

(**) Term: **15 Years**

(21) Appl. No.: **29/711,745**

(22) Filed: **Nov. 1, 2019**

FOREIGN PATENT DOCUMENTS

BE 463027 A 3/1946
CA 152932 A 1/1914

(Continued)

Related U.S. Application Data

(63) Continuation of application No. 16/218,089, filed on Dec. 12, 2018, now Pat. No. 10,766,672.

(51) **LOC (13) Cl.** **08-07**

(52) **U.S. Cl.**
USPC **D8/336**

(58) **Field of Classification Search**
USPC D8/331, 336, 339, 342
CPC E05B 65/48; E05B 65/50; E05B 65/52;
E05B 65/5246; E05B 65/5253; E05B
65/5215; B65D 43/164; A45C 13/00;
A45C 13/10

See application file for complete search history.

OTHER PUBLICATIONS

May 27, 2020—(WO) Partial International Search—PCT/US2019/065859.

(Continued)

Primary Examiner — Doris Clark

(74) *Attorney, Agent, or Firm* — Banner & Witcoff, Ltd.

(57) **CLAIM**

The ornamental design for a latch, as shown and described.

DESCRIPTION

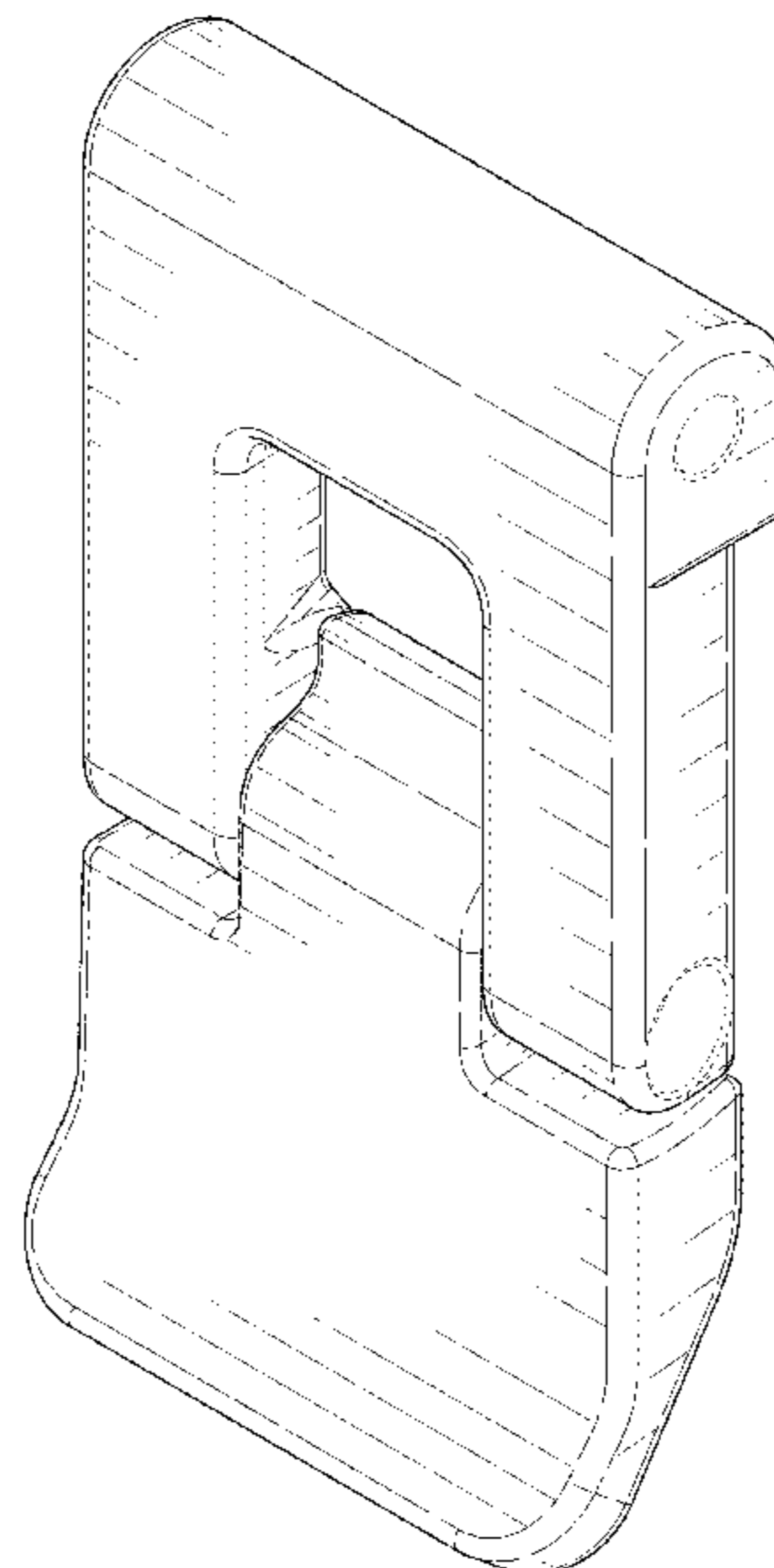
FIG. 1 is a front, right, perspective view of a latch showing our new design;
FIG. 2 is a front view thereof;
FIG. 3 is a rear view thereof;
FIG. 4 is a left side view thereof;
FIG. 5 is a right side view thereof;
FIG. 6 is a top view thereof; and,
FIG. 7 is a bottom view thereof.

1 Claim, 5 Drawing Sheets

(56) **References Cited**

U.S. PATENT DOCUMENTS

1,004,688 A 10/1911 Hunt
2,555,126 A 5/1951 Greve
2,652,698 A 9/1953 Schlumbohm
2,706,895 A 4/1955 Thompson et al.
2,803,368 A 8/1957 Koch
2,850,885 A 9/1958 Mohr et al.



(56)

References Cited

U.S. PATENT DOCUMENTS

4,623,076 A	11/1986	Karpal	6,789,692 B2	9/2004	Prezelin
4,648,512 A	3/1987	Tarozzi et al.	6,789,693 B2	9/2004	Lassiter
4,802,344 A	2/1989	Livingston et al.	6,955,381 B2	10/2005	Parker et al.
4,846,493 A	7/1989	Mason	6,976,370 B2	12/2005	Fiene
4,858,444 A	8/1989	Scott	6,993,931 B1	2/2006	Hamilton
4,873,841 A	10/1989	Bradshaw et al.	7,013,671 B1	3/2006	Bolda
4,939,912 A	7/1990	Leonovich, Jr.	7,066,347 B2	6/2006	Slovak et al.
D311,476 S	10/1990	Kumakura	D528,368 S	9/2006	Maldonado
4,988,216 A	1/1991	Lyman	7,128,369 B2	10/2006	Boggs et al.
5,007,250 A	4/1991	Musielak	7,147,125 B1	12/2006	Slovak et al.
5,024,359 A	6/1991	Thomas	7,243,676 B2	7/2007	Bailey
5,044,513 A	9/1991	Van Berne	D548,565 S	8/2007	Vickers
5,050,767 A	9/1991	Peer	7,313,927 B2	1/2008	Barker
D324,165 S	2/1992	Bressler et al.	7,328,818 B2	2/2008	Prabucki
5,095,718 A	3/1992	Ormond et al.	7,344,028 B2	3/2008	Hanson
5,169,018 A	12/1992	Fiore	7,357,709 B2	4/2008	Zukor et al.
5,184,477 A	2/1993	Brown et al.	7,360,784 B2	4/2008	Stewart et al.
D333,775 S	3/1993	Krape	7,389,608 B1	6/2008	MacKay
5,213,381 A	5/1993	Anderson	7,412,846 B2	8/2008	Sekiya et al.
5,249,438 A	10/1993	Rhaney et al.	7,461,871 B2	12/2008	Vauchel
5,251,460 A	10/1993	DeMarco et al.	7,540,364 B2	6/2009	Sanderson
5,251,542 A	10/1993	Itoh et al.	D598,194 S	8/2009	Turvey et al.
5,259,215 A	11/1993	Rocca	7,597,478 B2	10/2009	Pruchnicki et al.
5,284,294 A	2/1994	Floyd	D603,684 S *	11/2009	Martis D8/331
5,295,365 A	3/1994	Redford	7,621,417 B2	11/2009	Peterson et al.
5,313,817 A	5/1994	Meinders	7,658,213 B1	2/2010	Anderson et al.
5,319,937 A	6/1994	Fritsch et al.	7,677,406 B2	3/2010	Maxson
5,329,787 A	7/1994	Friday	7,677,580 B2	3/2010	Vanderberg et al.
5,350,081 A	9/1994	Graham	7,726,880 B2	6/2010	Zimmerman et al.
5,363,977 A	11/1994	Hoff	7,735,334 B2	6/2010	Johnson
5,373,708 A	12/1994	Dumoulin, Jr.	7,806,271 B1	10/2010	Kraska
5,400,610 A	3/1995	Macedo	7,837,053 B2	11/2010	Arnett et al.
5,403,095 A	4/1995	Melk	7,841,635 B2	11/2010	Fuchs
5,423,426 A	6/1995	Harper	7,874,743 B2	1/2011	Berkey et al.
5,447,041 A	9/1995	Piechota	7,905,243 B2	3/2011	Minard et al.
5,460,285 A	10/1995	Harding, Sr.	8,016,153 B2	9/2011	Boenig et al.
5,562,228 A	10/1996	Ericson	8,052,004 B2	11/2011	Cheng et al.
5,626,373 A	5/1997	Chambers et al.	8,123,236 B1	2/2012	Helenihi
5,738,238 A	4/1998	Yang	8,152,367 B2	4/2012	Roberts et al.
5,740,940 A	4/1998	Weiss	8,176,749 B2	5/2012	LaMere et al.
5,845,515 A	12/1998	Nelson	8,191,747 B2	6/2012	Pruchnicki
5,860,281 A	1/1999	Coffee et al.	8,215,518 B2	7/2012	Hyde et al.
5,865,037 A	2/1999	Bostic	8,251,245 B2	8/2012	DiPietro et al.
5,913,448 A	6/1999	Mann et al.	8,256,156 B1	9/2012	Burgoyne, Jr.
5,944,205 A	8/1999	LaJoie et al.	8,297,464 B2	10/2012	Grenier et al.
5,971,218 A	10/1999	Le	8,308,008 B2	11/2012	Perry et al.
6,067,813 A	5/2000	Smith	8,353,418 B2	1/2013	Bork
D427,885 S *	7/2000	Ayrest E05B 47/004	8,430,284 B2	4/2013	Broadbent et al.
		D8/336	8,544,648 B2	10/2013	Cleveland et al.
6,092,661 A	7/2000	Mogil	8,544,670 B2	10/2013	Brilmyer
6,158,745 A	12/2000	Deighton	8,562,520 B2	10/2013	Rockrohr
6,176,499 B1	1/2001	Conrado et al.	8,573,002 B2	11/2013	Ledoux et al.
6,192,703 B1	2/2001	Salyer et al.	8,590,724 B2	11/2013	Kreidler et al.
6,193,097 B1	2/2001	Martin Perianes et al.	8,596,485 B2	12/2013	Lindsay
6,199,570 B1	3/2001	Patarra	8,622,235 B2	1/2014	Suchecki
6,244,066 B1	6/2001	LaRose	8,622,279 B2	1/2014	Bamett
6,244,458 B1	6/2001	Frysinger et al.	8,678,024 B2	3/2014	Freiler
6,296,134 B1	10/2001	Cardinale	8,701,928 B2	4/2014	Samson
6,296,165 B1	10/2001	Mears	D707,100 S	6/2014	Kinskey et al.
6,305,547 B1	10/2001	Curran	8,740,010 B1	6/2014	Page
6,336,577 B1	1/2002	Harris et al.	8,746,498 B2	6/2014	Maldonado et al.
6,398,272 B1	6/2002	Plummer et al.	8,794,469 B2	8/2014	Bratsch
6,409,066 B1	6/2002	Schneider et al.	8,887,515 B2	11/2014	Patstone
6,427,886 B1	8/2002	Essex	D721,569 S *	1/2015	Ziegler D8/339
6,457,750 B1	10/2002	Sokurenko et al.	8,939,315 B2	1/2015	Pillow et al.
6,484,880 B1	11/2002	Shaeffer	8,944,476 B1	2/2015	Henderson
6,622,881 B2	9/2003	Hardigg	8,967,419 B2	3/2015	Gerber et al.
D482,241 S	11/2003	Tyler	8,979,073 B2	3/2015	Lykins et al.
6,698,608 B2	3/2004	Parker et al.	8,979,144 B2	3/2015	Paugh et al.
D489,595 S *	5/2004	Gleichauf B62J 9/00	9,027,722 B1	5/2015	Parker
		D8/336	9,052,025 B2	6/2015	Zinn et al.
6,736,309 B1	5/2004	Westerman et al.	9,091,477 B2	7/2015	Magnus
6,739,150 B2	5/2004	Mompo Garcia	D739,302 S	9/2015	Nilsen et al.
D491,440 S	6/2004	Pfeiffer et al.	9,126,747 B2	9/2015	Burgess et al.
D492,184 S	6/2004	Parker et al.	9,132,598 B2	9/2015	Ernst
			9,139,352 B2	9/2015	Seiders et al.
			9,140,476 B2	9/2015	Eckhoff et al.
			9,163,871 B1	10/2015	Costello
			D744,810 S	12/2015	Pittman

(56)

References Cited

U.S. PATENT DOCUMENTS

9,199,782 B1 12/2015 Cliatt
 D747,950 S 1/2016 Jacobsen et al.
 D747,951 S 1/2016 Jacobsen et al.
 D748,452 S 2/2016 Jacobsen et al.
 9,260,129 B2 2/2016 Thompson
 9,265,318 B1 2/2016 Williams et al.
 D750,953 S 3/2016 Jacobsen et al.
 9,271,553 B2 3/2016 Ponx
 9,271,595 B2 3/2016 Lee
 9,278,704 B2 3/2016 Cates
 9,282,797 B1 3/2016 Soto
 9,296,543 B2 3/2016 Wooldridge et al.
 9,310,118 B2 4/2016 Zavitsanos
 9,320,938 B1 4/2016 Belmore
 9,341,003 B2 * 5/2016 Ely E05B 65/5276
 9,341,275 B2 5/2016 Peck et al.
 D759,590 S 6/2016 Wang
 9,389,010 B1 7/2016 Booker, Sr.
 9,414,893 B2 8/2016 Jacobson
 9,415,787 B2 8/2016 Mericle
 9,462,796 B1 10/2016 Ellis et al.
 9,550,508 B1 1/2017 Parra
 9,572,410 B2 * 2/2017 Fiedler E05B 47/004
 9,578,938 B1 2/2017 Verneuille
 9,616,910 B2 4/2017 Chaloux et al.
 9,648,990 B1 5/2017 Corney
 9,668,510 B2 6/2017 Doman
 9,669,986 B1 6/2017 Evans
 9,676,522 B1 6/2017 Stovall
 9,718,070 B2 8/2017 Arminak et al.
 9,726,415 B1 8/2017 Spalti
 9,738,296 B2 8/2017 McBeth
 9,809,357 B2 11/2017 Arnold et al.
 9,849,901 B2 12/2017 Jackman
 9,857,119 B2 1/2018 Keenan
 9,878,841 B2 1/2018 Holderness et al.
 9,888,977 B2 2/2018 Thomas et al.
 9,956,978 B1 5/2018 Worley
 9,976,789 B2 5/2018 Grepper
 D820,049 S 6/2018 Ahlstrom et al.
 9,989,299 B1 6/2018 Ballard
 D826,027 S 8/2018 Carey et al.
 D835,472 S 12/2018 Seiders et al.
 D844,386 S 4/2019 Ahlstrom et al.
 10,316,550 B2 * 6/2019 Reinhart B62J 9/00
 D900,588 S * 11/2020 Rolfs D8/331
 2003/0111476 A1 6/2003 Serio
 2003/0136702 A1 7/2003 Redzisz et al.
 2004/0025531 A1 2/2004 Holloman-Hughes et al.
 2004/0144783 A1 7/2004 Anderson et al.
 2004/0182870 A1 9/2004 Rodgers
 2004/0262319 A1 12/2004 Fisher
 2005/0082305 A1 4/2005 Dais et al.
 2005/0109776 A1 5/2005 Camp
 2005/0127081 A1 6/2005 Leba et al.
 2005/0263527 A1 12/2005 Maldonado et al.
 2005/0269541 A1 12/2005 Bodum
 2005/0279124 A1 12/2005 Maldonado
 2006/0017293 A1 1/2006 Tonelli
 2006/0042897 A1 3/2006 Sanderson
 2006/0276768 A1 12/2006 Miller et al.
 2007/0284377 A1 12/2007 Chandler
 2008/0134714 A1 6/2008 Villanueva
 2008/0145919 A1 6/2008 Franklin et al.
 2008/0164265 A1 7/2008 Conforti
 2008/0178629 A1 7/2008 Meether
 2008/0190940 A1 8/2008 Scott
 2009/0114646 A1 5/2009 Whalen
 2009/0158770 A1 6/2009 Cohrs et al.
 2009/0188736 A1 7/2009 Niddam et al.
 2009/0217699 A1 9/2009 Ball
 2009/0274398 A1 11/2009 Men
 2010/0126196 A1 5/2010 McCance
 2010/0200588 A1 8/2010 Bergman et al.
 2010/0212351 A1 8/2010 Chapin et al.

2010/0288776 A1 11/2010 Bodum
 2011/0062157 A1 3/2011 Grimm
 2011/0127264 A1 6/2011 Whalen
 2011/0197625 A1 8/2011 Urban et al.
 2011/0215125 A1 9/2011 Lopez
 2011/0226785 A1 9/2011 Sakell
 2012/0318808 A1 12/2012 McCormick
 2013/0043250 A1 2/2013 Kreidler et al.
 2014/0226920 A1 8/2014 Passavia
 2014/0252010 A1 9/2014 Miller
 2015/0008242 A1 1/2015 Kpabar, Jr.
 2015/0047635 A1 2/2015 Poree
 2015/0136796 A1 5/2015 Muehlhauser
 2015/0300721 A1 10/2015 Rigoli
 2015/0345853 A1 12/2015 Oeyen
 2015/0375918 A1 12/2015 Holderness et al.
 2016/0031617 A1 2/2016 Fauchaux, Jr. et al.
 2016/0073751 A1 3/2016 Charlebois et al.
 2016/0113131 A1 4/2016 Ernesti et al.
 2016/0135559 A1 5/2016 Scally
 2016/0244239 A1 8/2016 Nash
 2017/0020256 A1 1/2017 Jankura et al.
 2017/0055665 A1 3/2017 Lanzisera
 2017/0101301 A1 4/2017 Volin
 2017/0156525 A1 6/2017 Guy et al.
 2017/0159989 A1 6/2017 Bodnar
 2017/0197765 A1 7/2017 Hu et al.
 2017/0254578 A1 9/2017 Kriesel
 2017/0259956 A1 9/2017 Hori et al.
 2017/0292756 A1 10/2017 Fenko et al.
 2017/0305638 A1 10/2017 Sonntag et al.
 2017/0313492 A1 11/2017 Seiders et al.
 2017/0320653 A1 11/2017 Mogil et al.
 2017/0343247 A1 11/2017 Ahmad et al.
 2018/0003425 A1 1/2018 Goodloe
 2018/0015938 A1 1/2018 DeFrancia
 2018/0016068 A1 1/2018 Valencia
 2018/0087819 A1 3/2018 Triska et al.
 2018/0127007 A1 5/2018 Kravchenko
 2018/0132586 A1 5/2018 Flaherty
 2018/0141718 A1 5/2018 Ahlstrom et al.
 2018/0186547 A1 7/2018 Morine et al.
 2018/0354687 A1 12/2018 Seiders et al.
 2019/0048631 A1 2/2019 Li
 2019/0152677 A1 5/2019 Hoyt
 2019/0161240 A1 5/2019 Ahlstrom et al.
 2019/0217999 A1 7/2019 Wood
 2019/0315538 A1 10/2019 Cheng

FOREIGN PATENT DOCUMENTS

CN 106246966 A 12/2016
 CN 304286831 9/2017
 DE 8229359 U1 12/1982
 DE 102010054187 A1 6/2012
 DE 202017006895 U1 9/2018
 EP 1700551 A2 9/2006
 EP 2135816 A1 12/2009
 EP 2852505 A1 4/2015
 EP 2861899 A1 4/2015
 GB 1818 4/1909
 GB 2045135 A 2/1996
 GB 2095684 11/2000
 GB 2096851 1/2001
 GB 3005022 1/2003
 GB 3025672 12/2006
 WO 9821534 A1 5/1998
 WO 2006007266 A2 1/2006
 WO 14074113 A1 5/2014
 WO 2016066817 A1 5/2016
 WO 17072531 A1 5/2017
 WO 17182290 A1 10/2017
 WO 18005859 A2 1/2018

OTHER PUBLICATIONS

(56)

References Cited

OTHER PUBLICATIONS

Apr. 8, 2021—(NZ) Examination Report 2—App. No. 427609.
Dometic Patrol 35 https://shop.dometic.com/store/dometic/en_US/pd/productID.5178771400 (12 pp) Oct. 23, 2019.
[gore.com/protectivevents—screw-in series—“Increase outdoor enclosure durability in harsh environments” p. 1-4.](https://www.dometic.com/protectivevents—screw-in-series—“Increase outdoor enclosure durability in harsh environments” p. 1-4)
Nov. 4, 2020—(CN) Office Action—App. No. 202030157746.X.

* cited by examiner

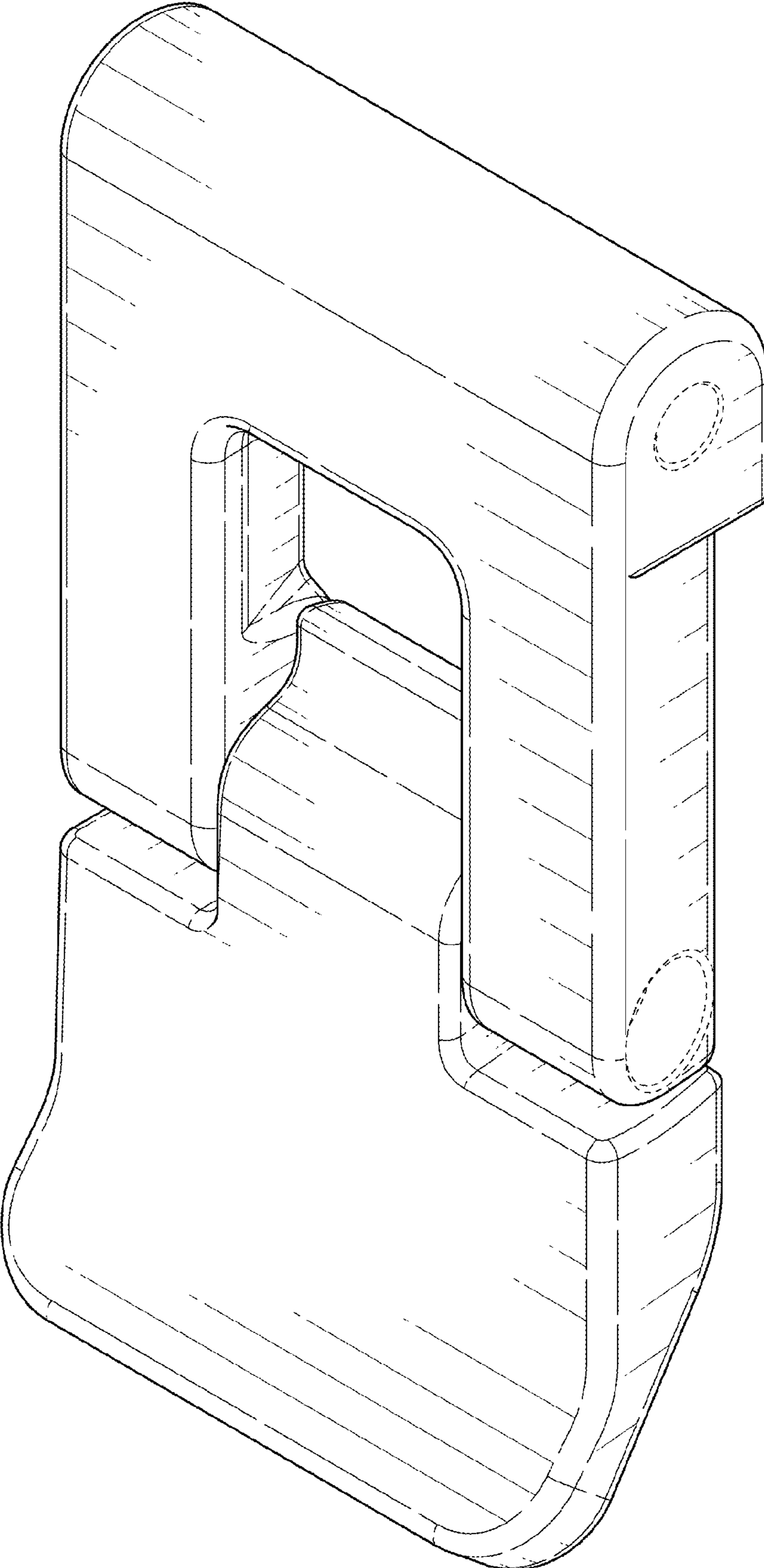


FIG. 1

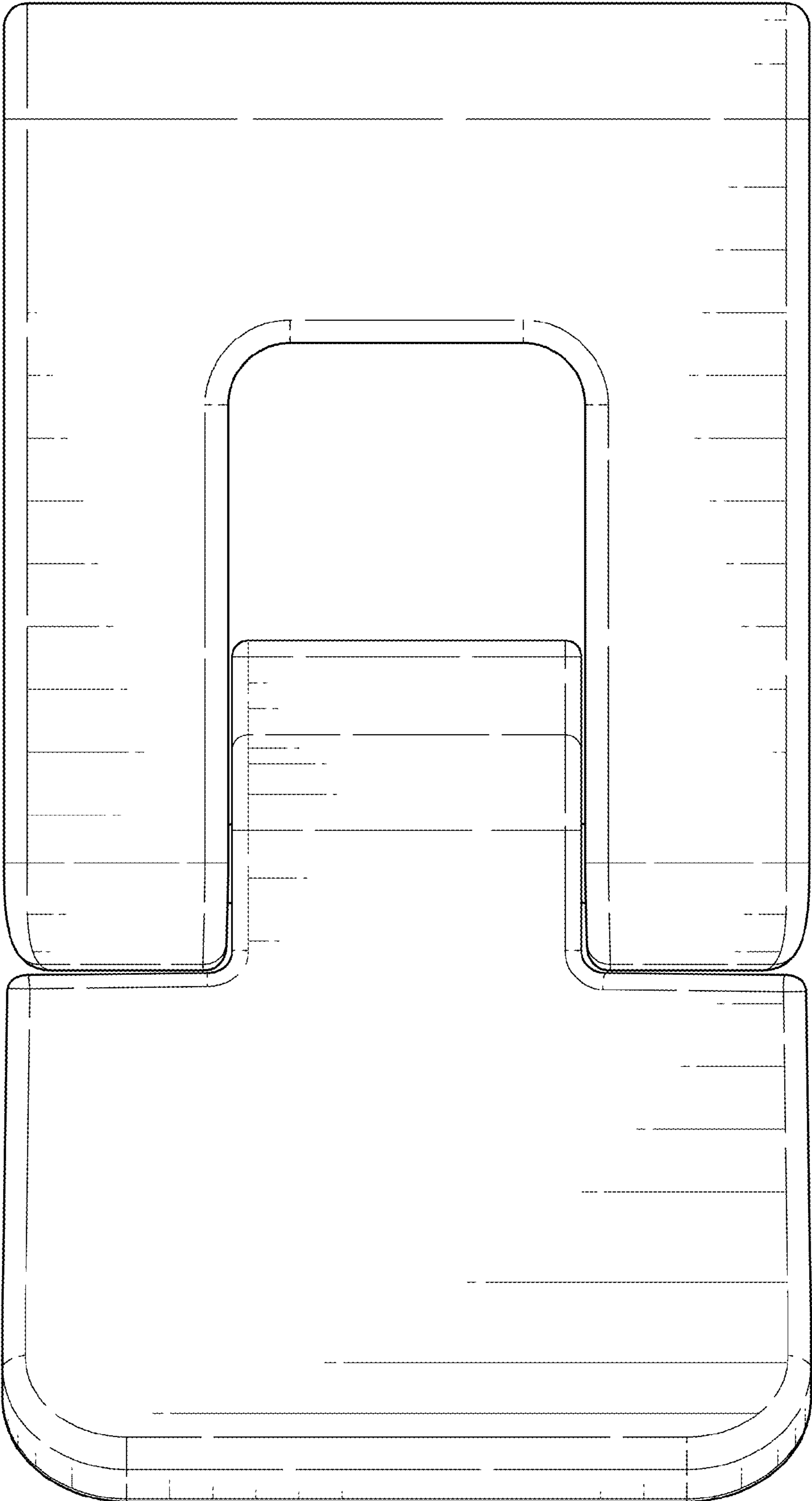


FIG. 2

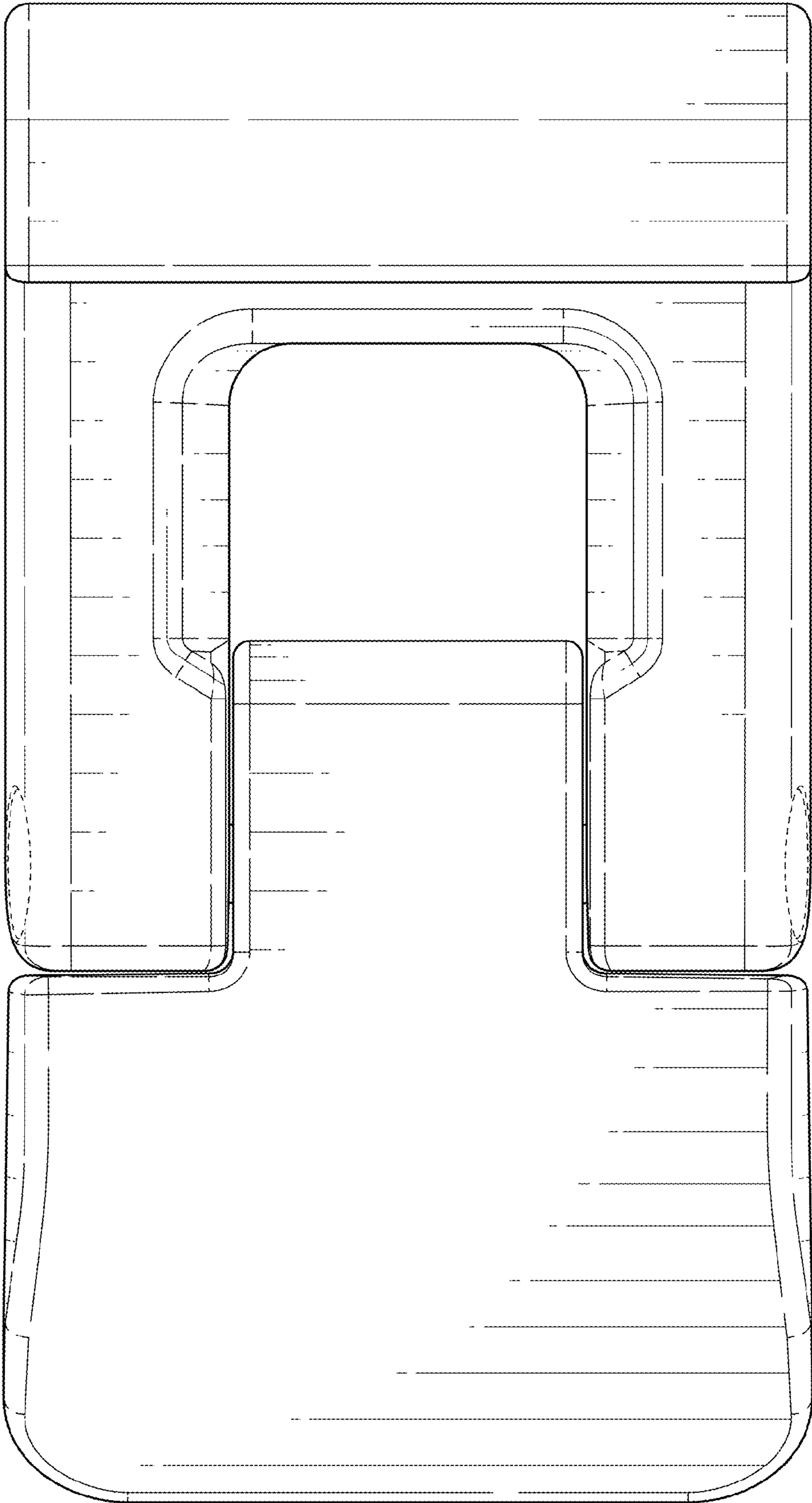


FIG. 3

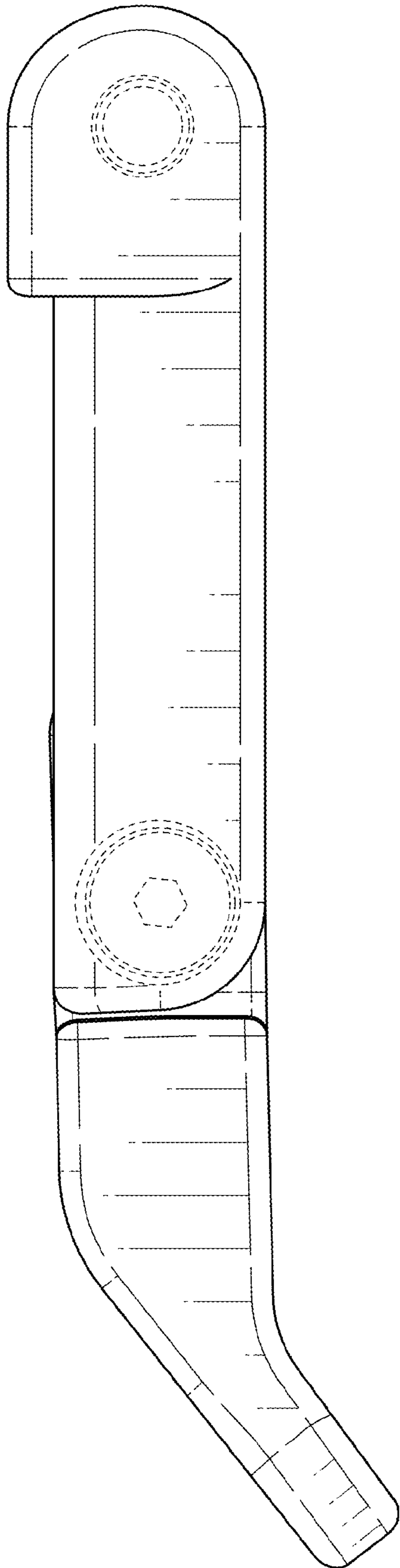


FIG. 4

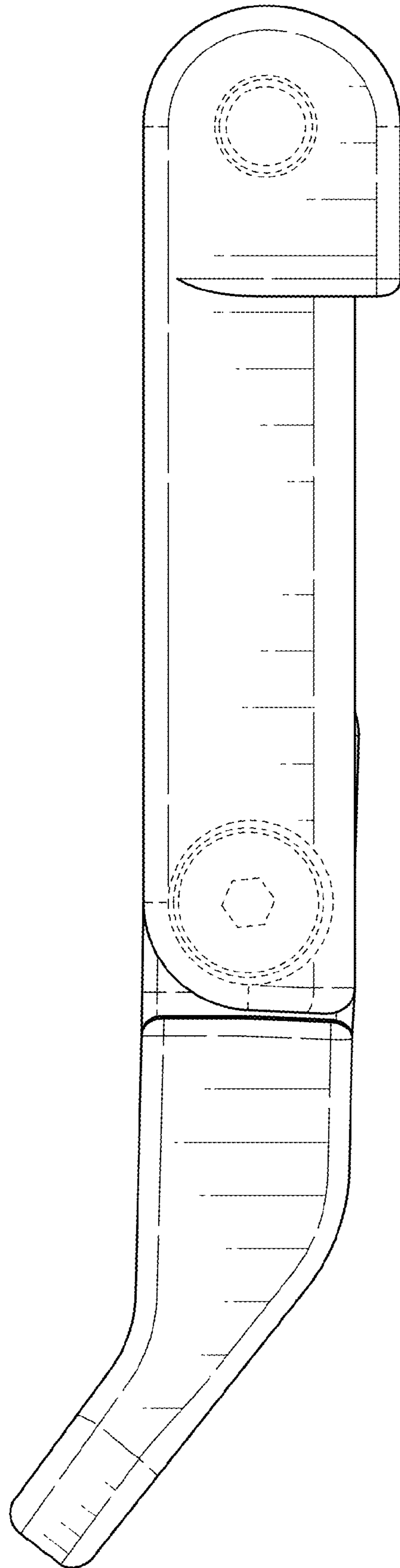


FIG. 5

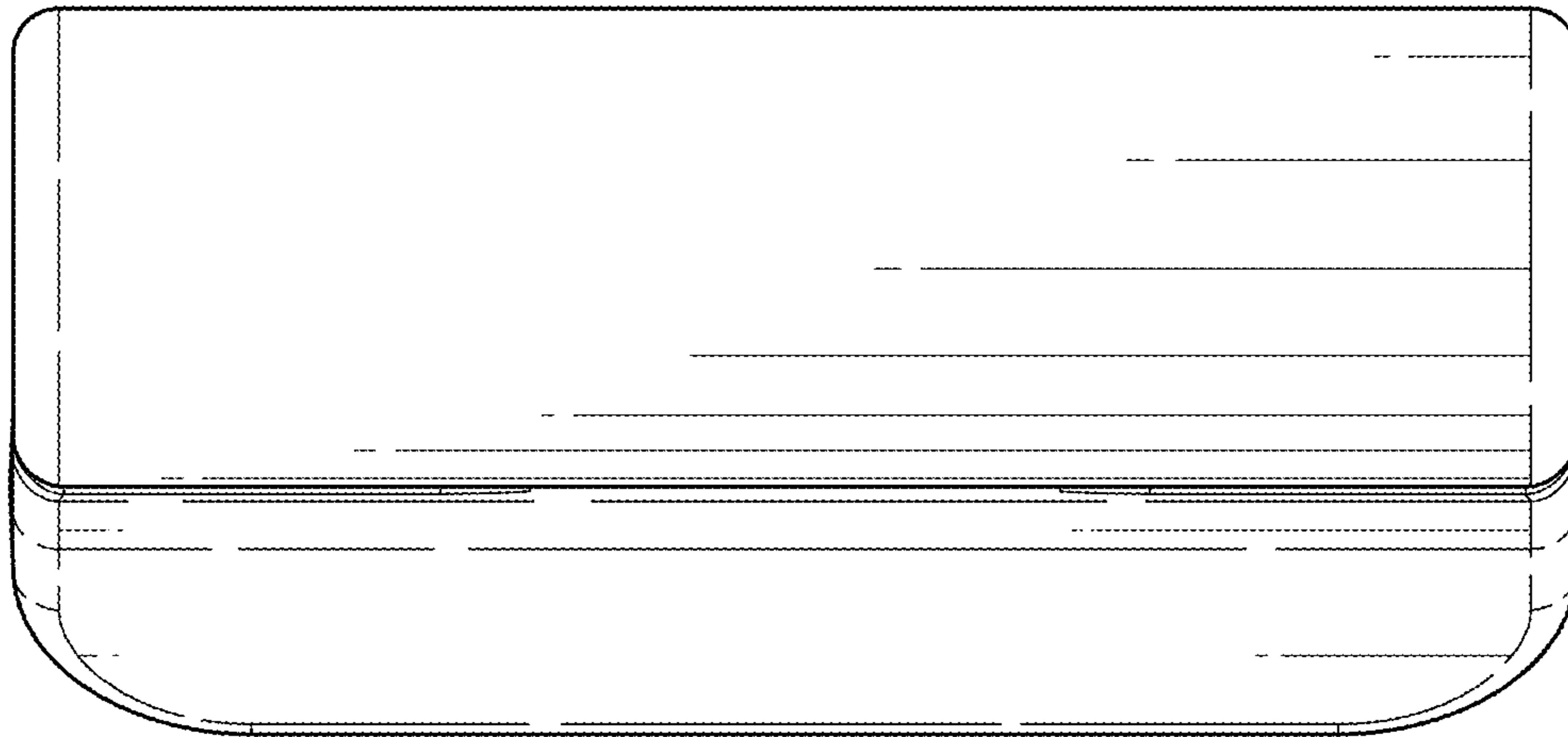


FIG. 6

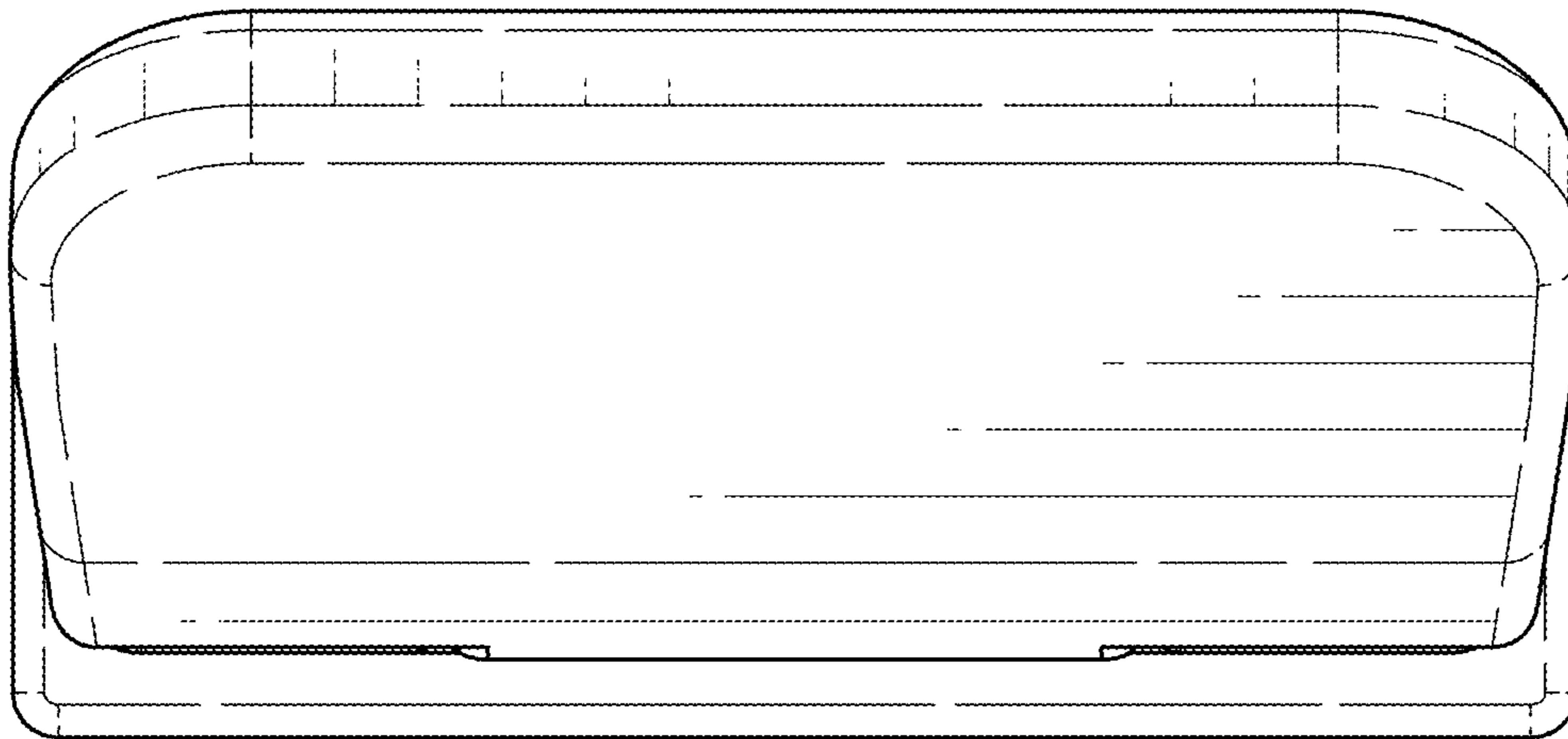


FIG. 7