



US00D922171S

(12) **United States Design Patent**
Kwon et al.

(10) **Patent No.:** **US D922,171 S**

(45) **Date of Patent:** **** Jun. 15, 2021**

(54) **KNOB FOR OVEN RANGE**

70/5765; Y10T 16/459; Y10T 74/2066;
Y10T 16/487; Y10T 74/20822

(71) Applicant: **LG ELECTRONICS INC.**, Seoul
(KR)

See application file for complete search history.

(72) Inventors: **Hongsik Kwon**, Seoul (KR); **Sooyeon Kim**, Seoul (KR); **Suhyeon Son**, Seoul (KR); **Songyi Han**, Seoul (KR); **Inhwan Ryu**, Seoul (KR)

(56) **References Cited**

U.S. PATENT DOCUMENTS

(73) Assignee: **LG ELECTRONICS INC.**, Seoul
(KR)

(**) Term: **15 Years**

(21) Appl. No.: **35/509,201**

(22) Filed: **Oct. 23, 2019**

(80) **Hague Agreement Data**

Int. Filing Date: **Oct. 23, 2019**
Int. Reg. No.: **DM/204897**
Int. Reg. Date: **Oct. 23, 2019**
Int. Reg. Pub. Date: **Apr. 24, 2020**

D400,778 S *	11/1998	Holbrook, Jr.	D8/311
D467,489 S *	12/2002	Rubinson	D8/310
D498,657 S *	11/2004	Milrud	D8/311
D504,300 S *	4/2005	Chen	D8/310
D521,314 S *	5/2006	Ball	D7/393
D525,518 S *	7/2006	Baldwin	D8/310
D567,060 S *	4/2008	Busalt	D8/310
D573,000 S *	7/2008	Martin	D8/311
D577,538 S *	9/2008	Suh	D7/393
D577,983 S *	10/2008	Martin	D8/311
D612,705 S *	3/2010	Baker	D8/311
D628,457 S *	12/2010	Bengtson	D8/311
D634,156 S *	3/2011	Fuller	D7/393
D642,042 S *	7/2011	Kim	D8/311
D703,998 S *	5/2014	Funnell, II	D7/393
D715,126 S *	10/2014	Kim	D8/311

(Continued)

Primary Examiner — Michael A. Pratt

(74) *Attorney, Agent, or Firm* — Birch, Stewart, Kolasch & Birch, LLP

(30) **Foreign Application Priority Data**

Apr. 25, 2019 (KR) 30-2019-0019700

(51) **LOC (13) Cl.** **07-02**

(52) **U.S. Cl.**
USPC **D8/311; D7/406**

(58) **Field of Classification Search**

USPC ... D7/339, 340, 341, 348, 350.1–350.4, 351,
D7/402–406; D8/107, 300, 301, 307,
D8/310, 311, 312
CPC F24C 15/024; F24C 15/162; F24C 15/022;
F24C 15/00; Y10T 292/57; Y10T 292/82;
Y10T 16/469; Y10T 16/44; Y10T 16/476;
Y10T 74/2084; Y10T 292/85; Y10T
74/2087; Y10T 16/4713; Y10T 16/506;
Y10T 74/20876; Y10T 74/20612; Y10T

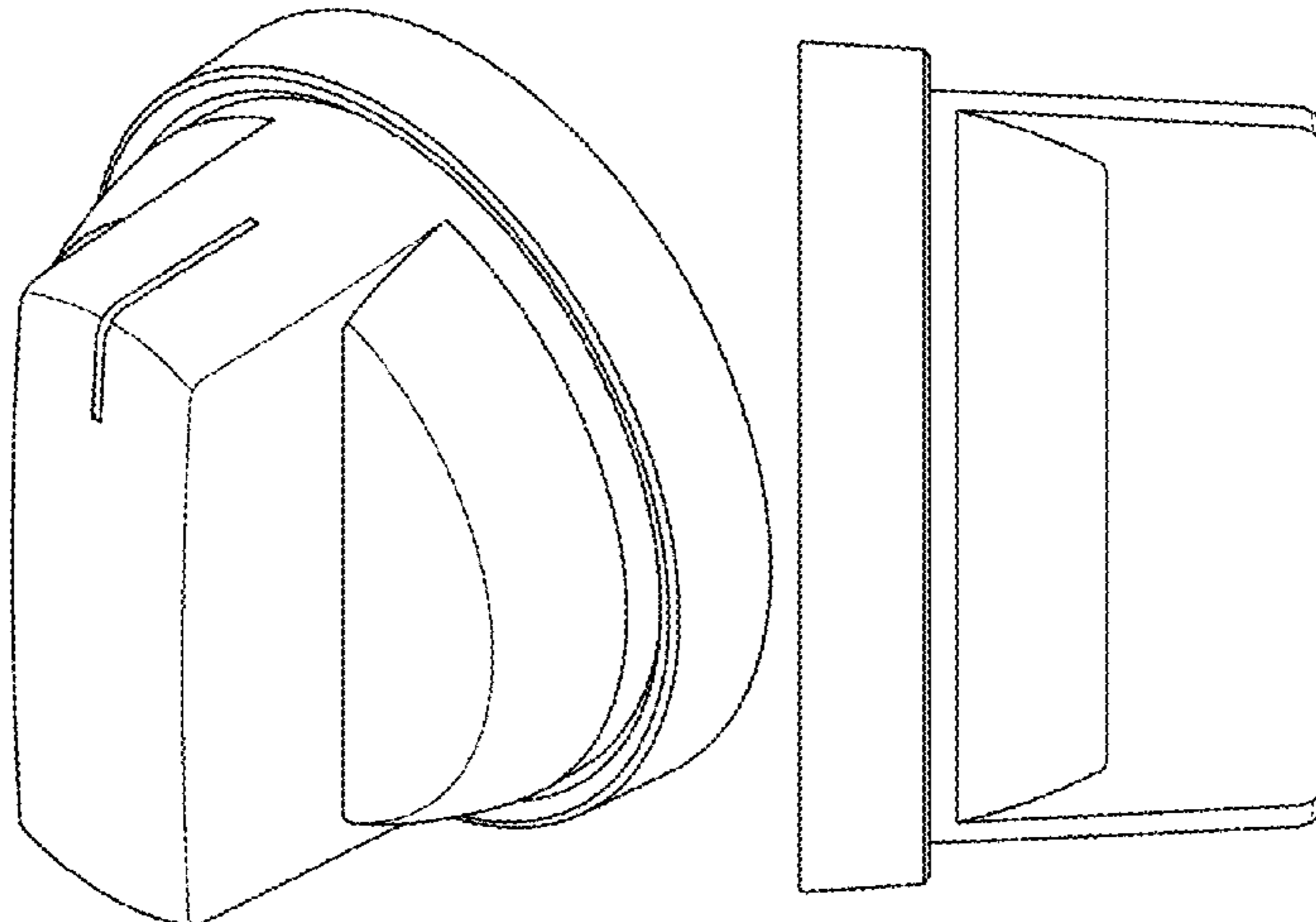
(57) **CLAIM**

The ornamental design for a knob for oven range, as shown and described.

DESCRIPTION

1. Knob for oven range
- 1.1 : Perspective
- 1.2 : Front
- 1.3 : Back
- 1.4 : Left
- 1.5 : Right
- 1.6 : Top
- 1.7 : Bottom

(Continued)



The parts shown by means of broken lines in the reproductions are not part of the claimed design.

1 Claim, 7 Drawing Sheets

(56)

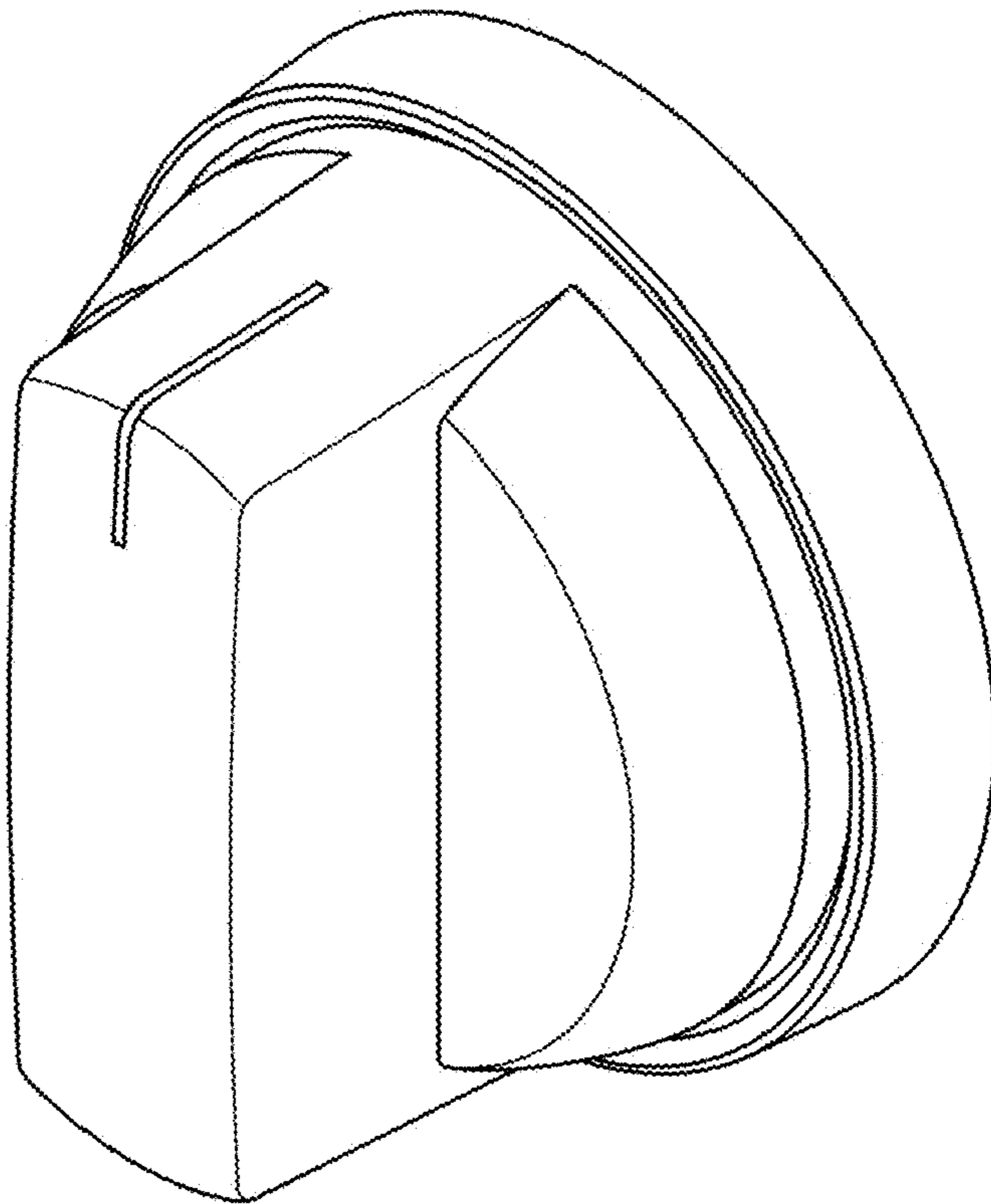
References Cited

U.S. PATENT DOCUMENTS

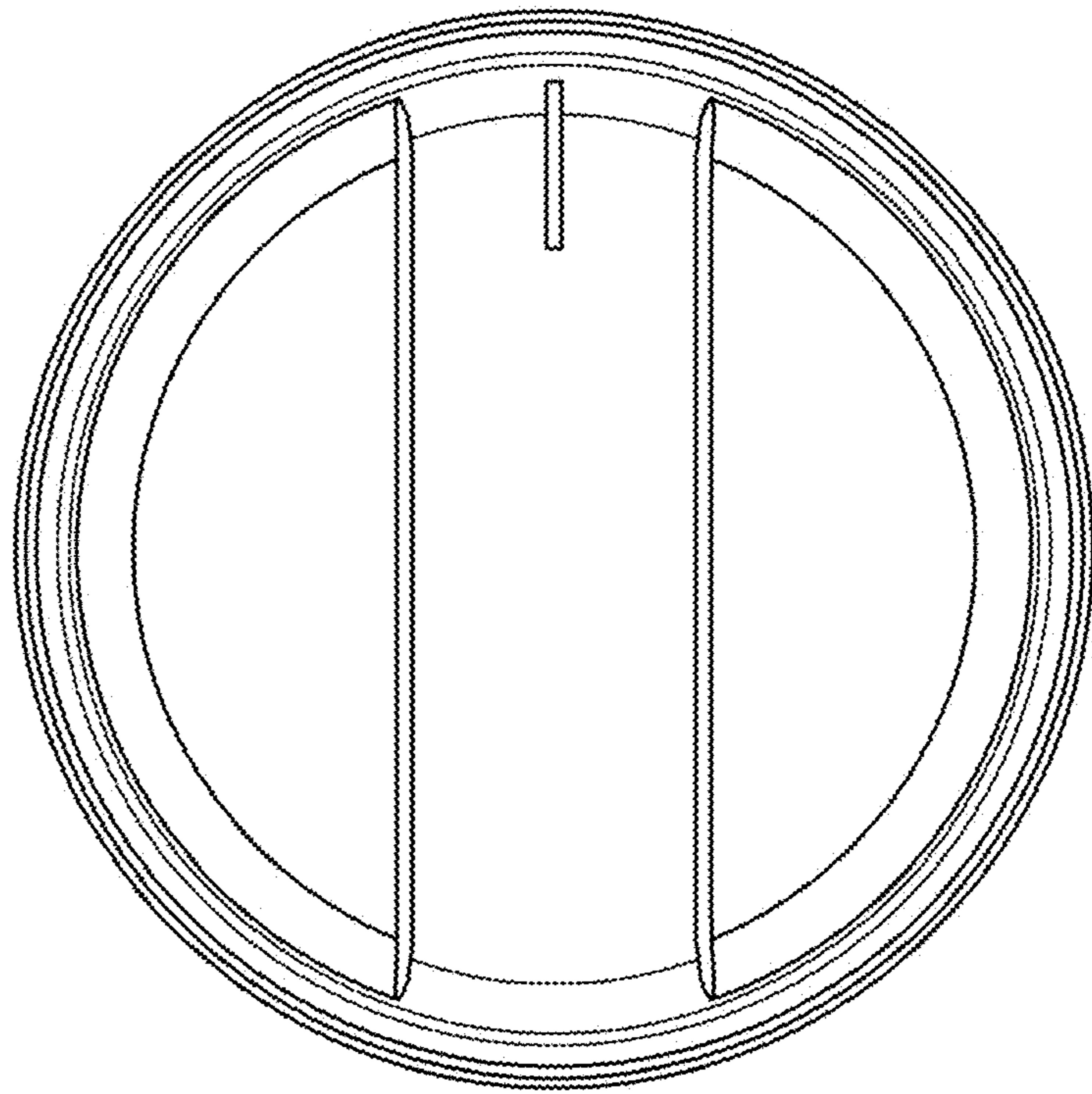
D766,697	S	*	9/2016	Vergin	D8/311
D766,698	S	*	9/2016	Vergin	D8/311
D766,699	S	*	9/2016	Vergin	D8/311
D773,917	S	*	12/2016	Shoemaker	D8/311
D775,493	S	*	1/2017	Funnell, II	D7/406
D779,303	S	*	2/2017	Shoemaker	D8/311
D786,651	S	*	5/2017	Shoemaker	D8/311
D790,273	S	*	6/2017	Vergin	D7/406
D791,567	S	*	7/2017	Incukur	D8/311
D792,189	S	*	7/2017	Incukur	D8/311
D805,842	S	*	12/2017	Funnell, II	D7/406
D806,512	S	*	1/2018	Chow	D8/311
D808,243	S	*	1/2018	Clements	D8/311
D808,717	S	*	1/2018	Funnell, II	D7/406
D808,767	S	*	1/2018	Kim	D8/311
D817,145	S	*	5/2018	Kim	D8/311
D824,236	S	*	7/2018	Chintis	D8/311
D824,237	S	*	7/2018	Gregory	D8/311
D824,744	S	*	8/2018	Ortner	D8/311
D829,528	S	*	10/2018	Kim	D8/311
D831,417	S	*	10/2018	Kim	D7/393
D849,502	S	*	5/2019	Lucic, III	D8/311
D860,757	S	*	9/2019	Kim	D8/311
D891,901	S	*	8/2020	Snodgrass	D8/311
D903,465	S	*	12/2020	Lucic, III	D8/311

* cited by examiner

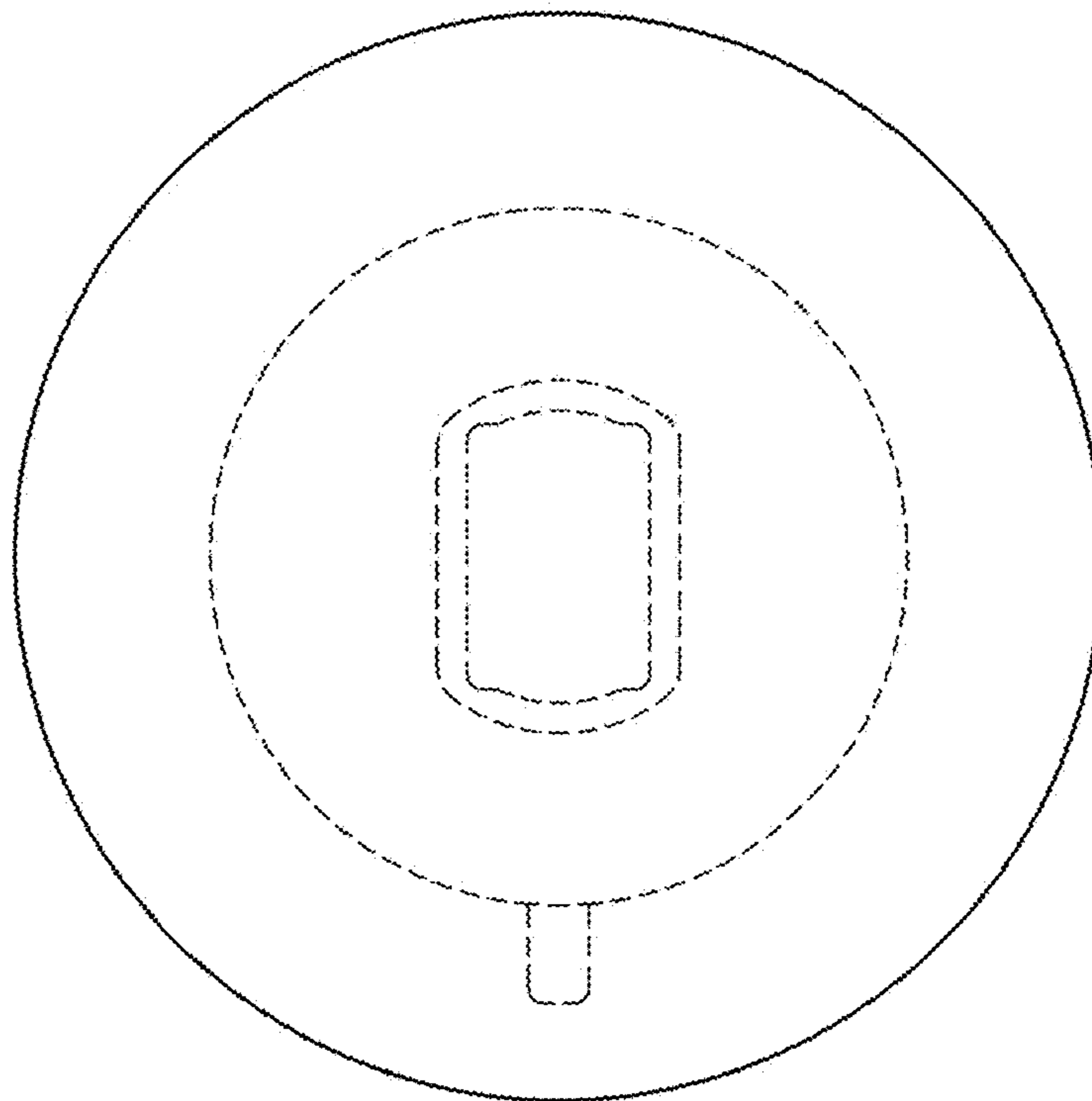
1.1



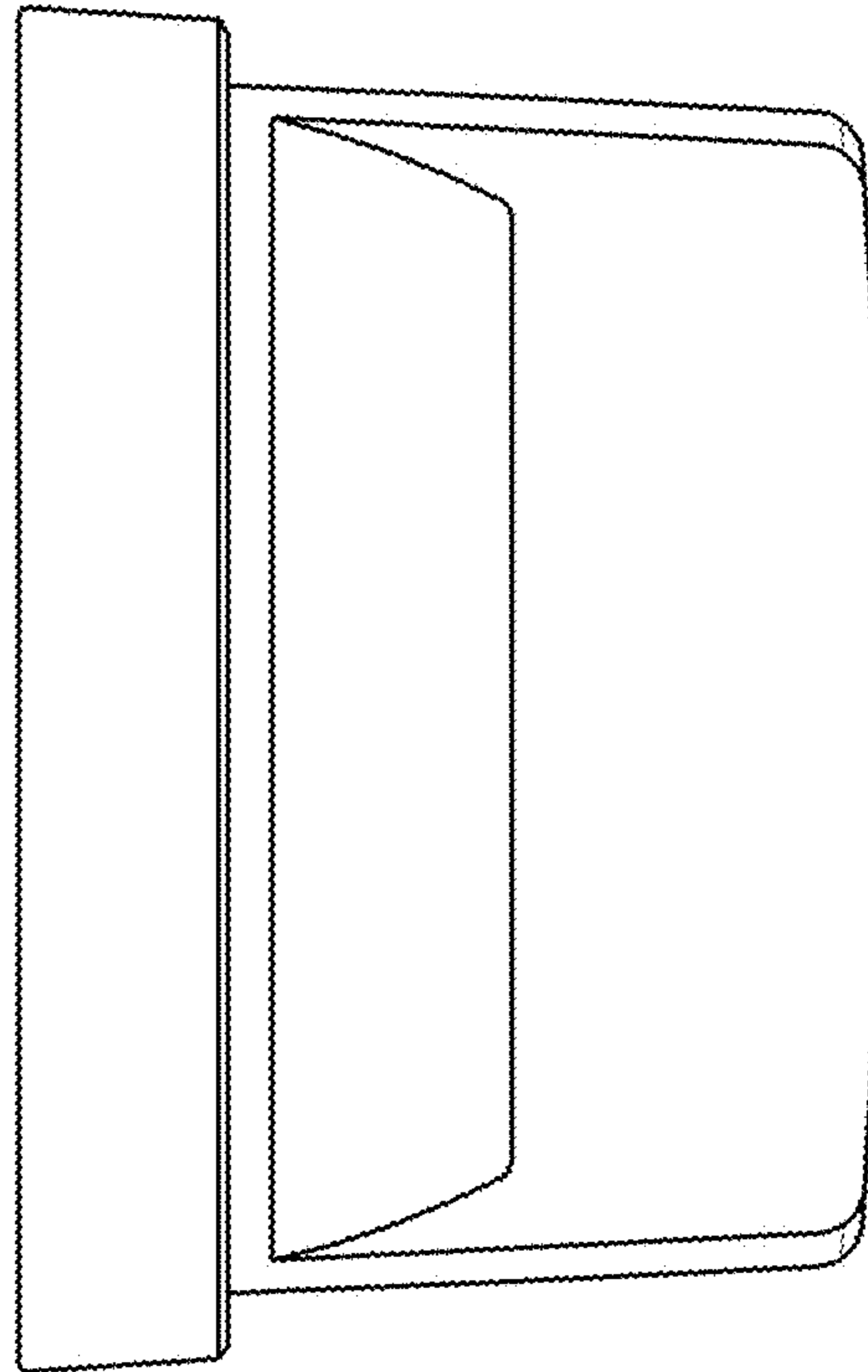
1.2



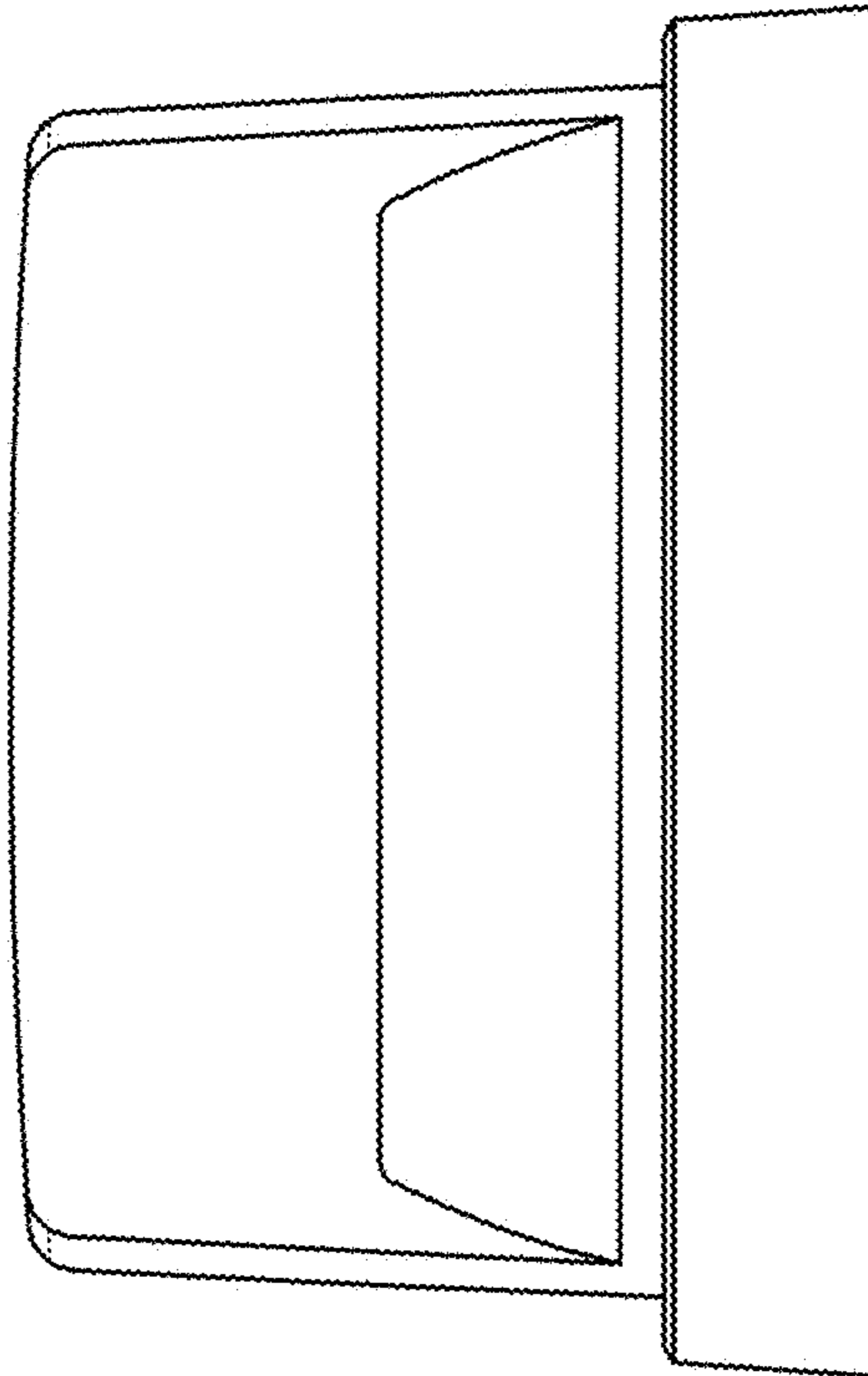
1.3



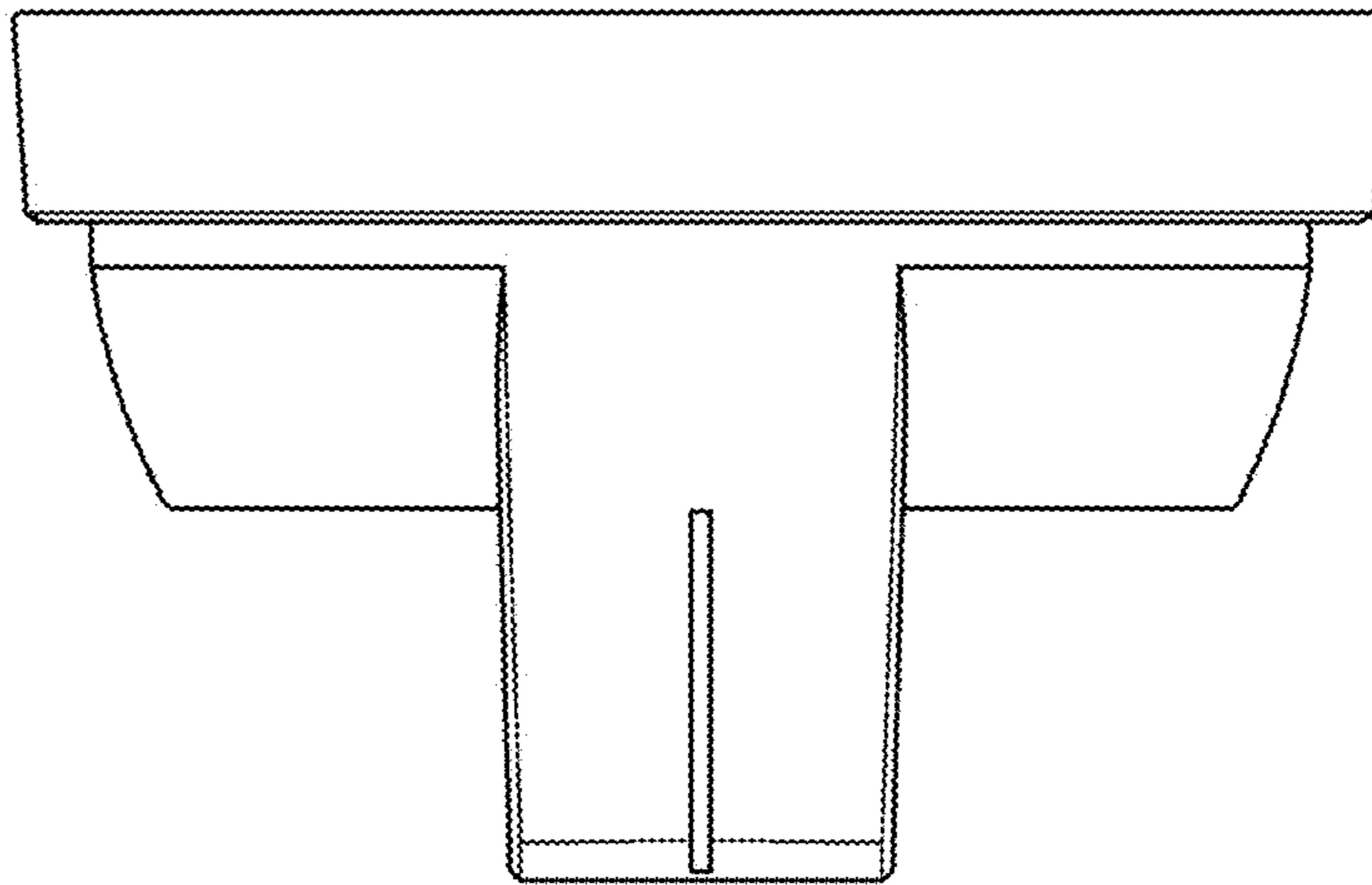
1.4



1.5



1.6



1.7

