



US00D922168S

(12) **United States Design Patent** (10) **Patent No.:** **US D922,168 S**  
**Chen** (45) **Date of Patent:** **\*\* Jun. 15, 2021**

(54) **UTILITY KNIFE**

(71) Applicant: **MING SHIN TOOLS CO., LTD.**,  
Taichung (TW)

(72) Inventor: **Yung-Shun Chen**, Taichung (TW)

(73) Assignee: **Ming Shin Tools Co., Ltd.**, Taichung  
(TW)

(\*\*) Term: **15 Years**

(21) Appl. No.: **29/714,820**

(22) Filed: **Nov. 26, 2019**

(51) **LOC (13) Cl.** ..... **08-03**

(52) **U.S. Cl.**  
USPC ..... **D8/99**

(58) **Field of Classification Search**  
USPC ..... D8/14, 51, 98, 99, 100, 105; D22/118  
CPC .... B26B 1/00; B26B 1/08; B26B 1/10; B26B  
5/001; B26B 5/002; B26B 5/003; B26B  
5/005; B26B 5/006

See application file for complete search history.

(56) **References Cited**

**U.S. PATENT DOCUMENTS**

D420,270 S *	2/2000	Martone	.....	D8/99
D509,419 S *	9/2005	Chung	.....	D8/99
D524,138 S *	7/2006	Chih	.....	D8/99
D525,104 S *	7/2006	Samberg	.....	D8/99
D551,932 S *	10/2007	Guo	.....	D8/99
D558,555 S *	1/2008	Huang	.....	D8/99
D629,274 S *	12/2010	Wu	.....	D8/99
D731,280 S *	6/2015	Dahlberg	.....	D8/99
D731,870 S *	6/2015	Dahlberg	.....	D8/99

D779,301 S *	2/2017	Garavaglia	.....	D8/99
D793,198 S *	8/2017	Wang	.....	D8/99
D803,024 S *	11/2017	Wang	.....	D8/99
D896,607 S *	9/2020	Wang	.....	D8/99
2010/0037465 A1 *	2/2010	Price	.....	B26B 5/001 30/152
2014/0250695 A1 *	9/2014	Wagner	.....	B26B 5/003 30/162
2015/0013171 A1 *	1/2015	Wu	.....	B26B 5/003 30/162
2017/0129112 A1 *	5/2017	Ranieri	.....	B26B 1/08

\* cited by examiner

*Primary Examiner* — Philip S Hyder

(74) *Attorney, Agent, or Firm* — Muncy, Geissler, Olds & Lowe, P.C.

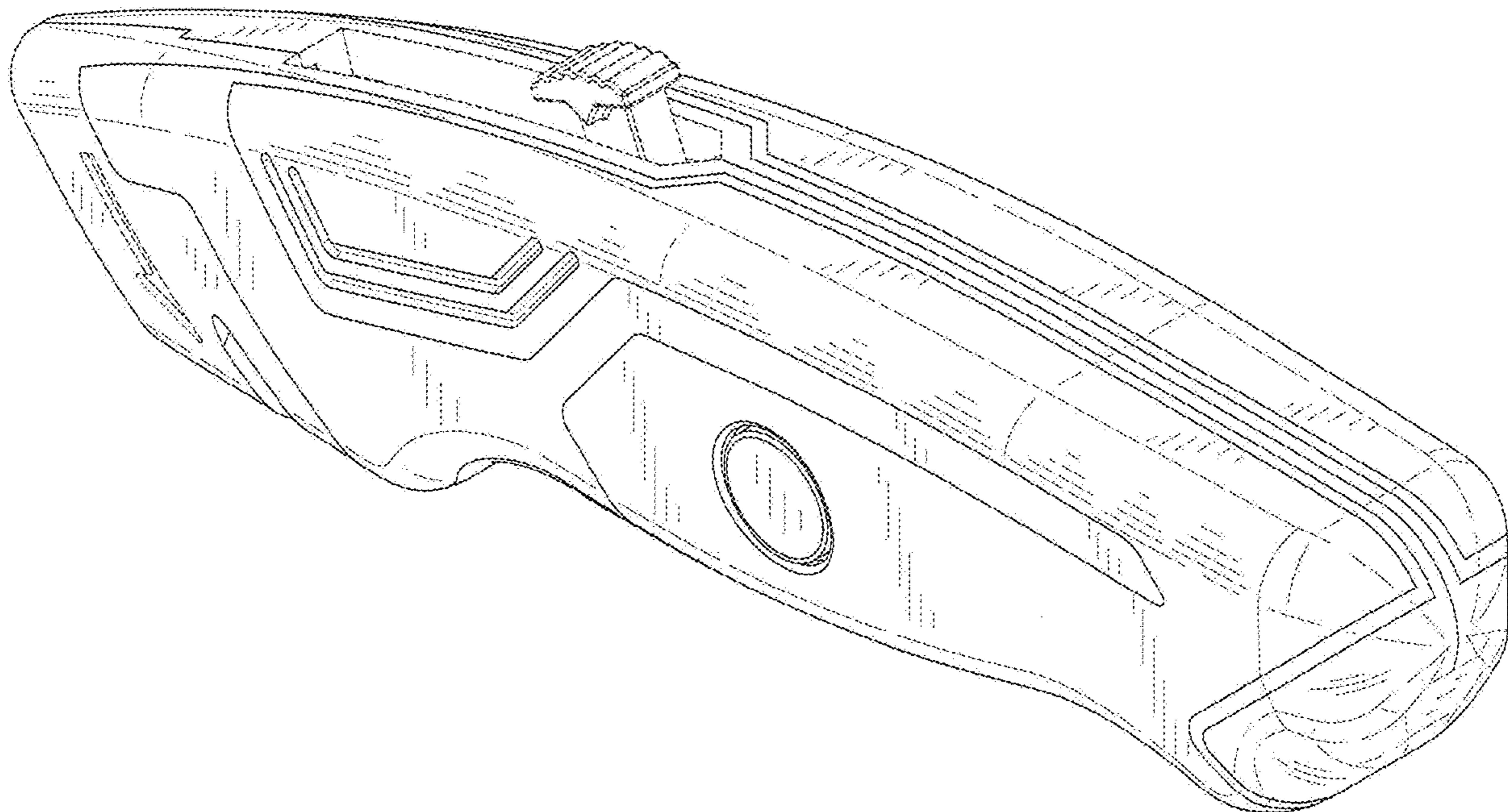
(57) **CLAIM**

I claim the ornamental design for a utility knife, as shown and described.

**DESCRIPTION**

FIG. 1 is a top, front, right perspective view of a utility knife showing my new design;  
FIG. 2 is a front elevational view thereof;  
FIG. 3 is a rear elevational view thereof;  
FIG. 4 is a left side view thereof;  
FIG. 5 is a right side view thereof;  
FIG. 6 is a top plan view thereof;  
FIG. 7 is a bottom plan view thereof; and,  
FIG. 8 is a bottom, front, left perspective view.  
The broken lines in the drawings illustrate portions of the utility knife which form no part of the claimed design.

**1 Claim, 6 Drawing Sheets**



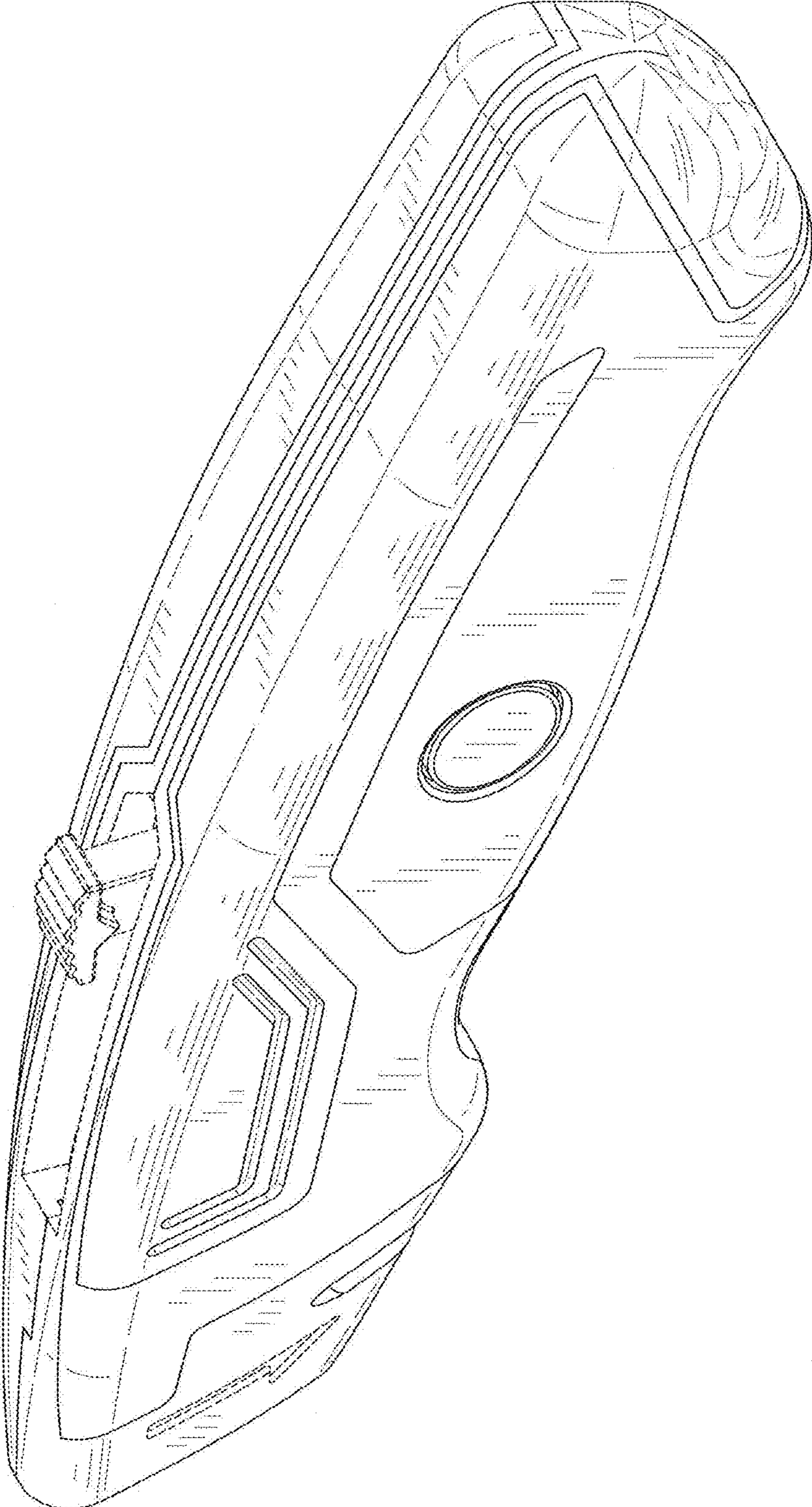


FIG. 1

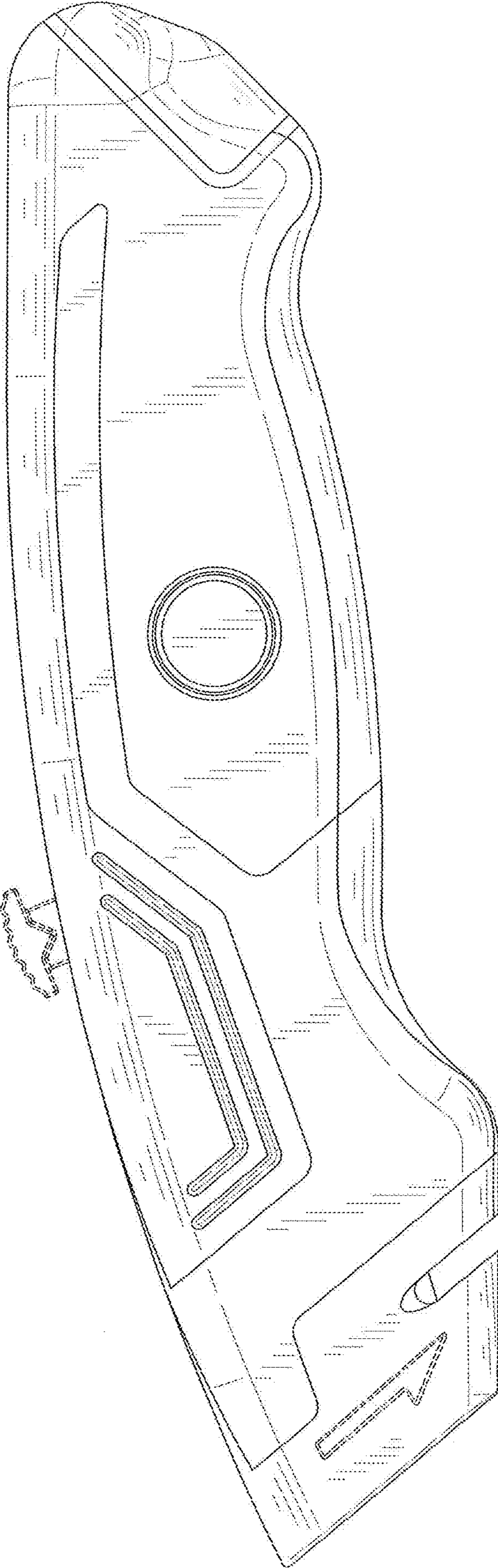


FIG. 2

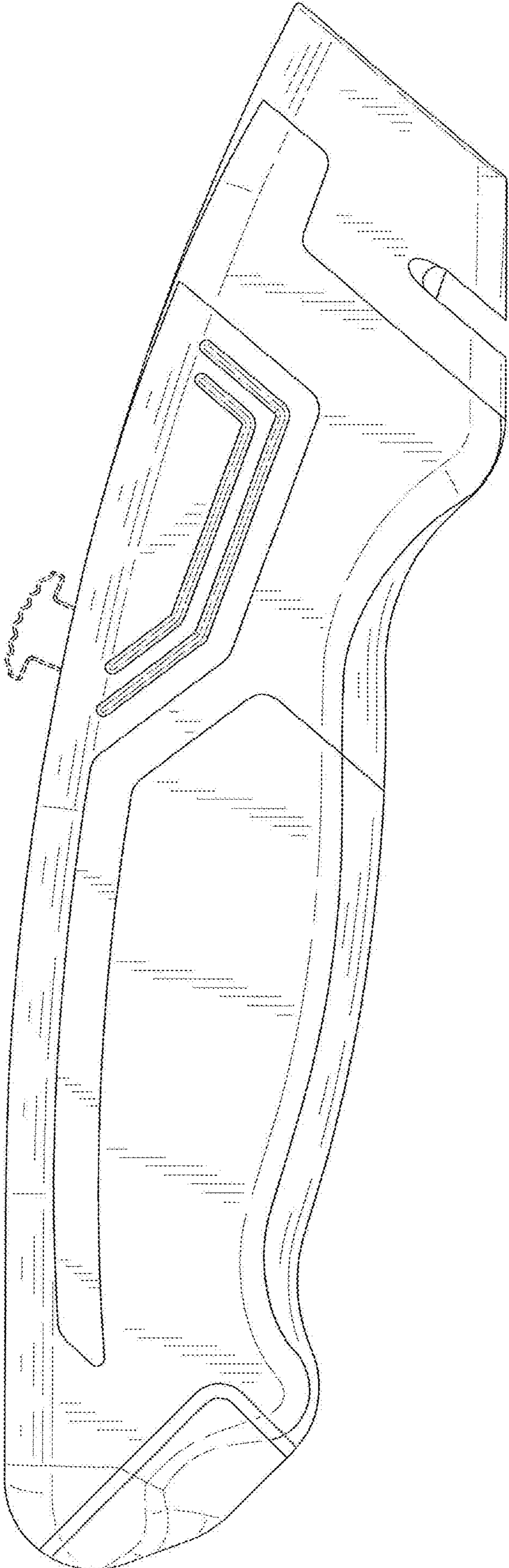


FIG. 3

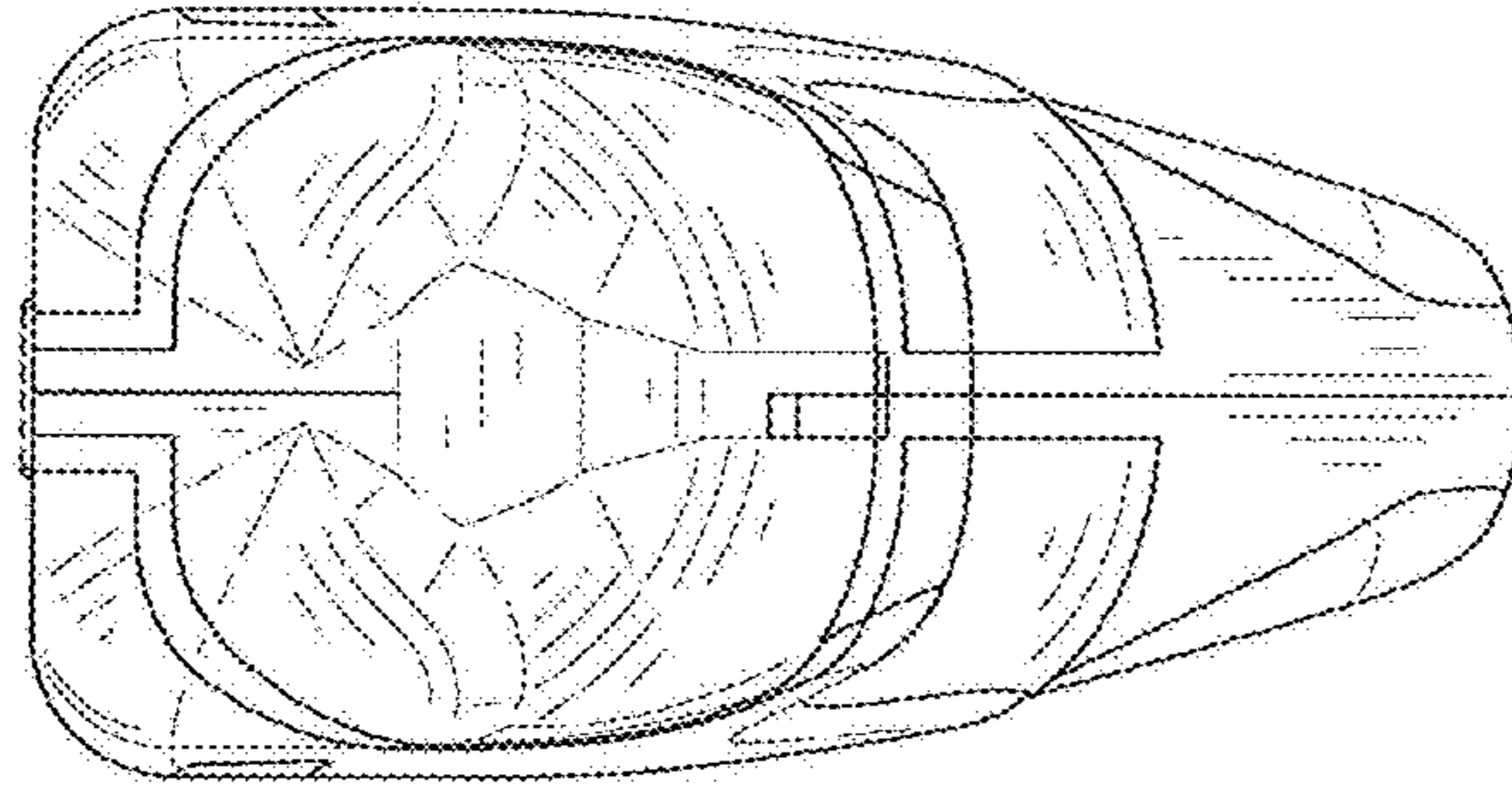


FIG. 5

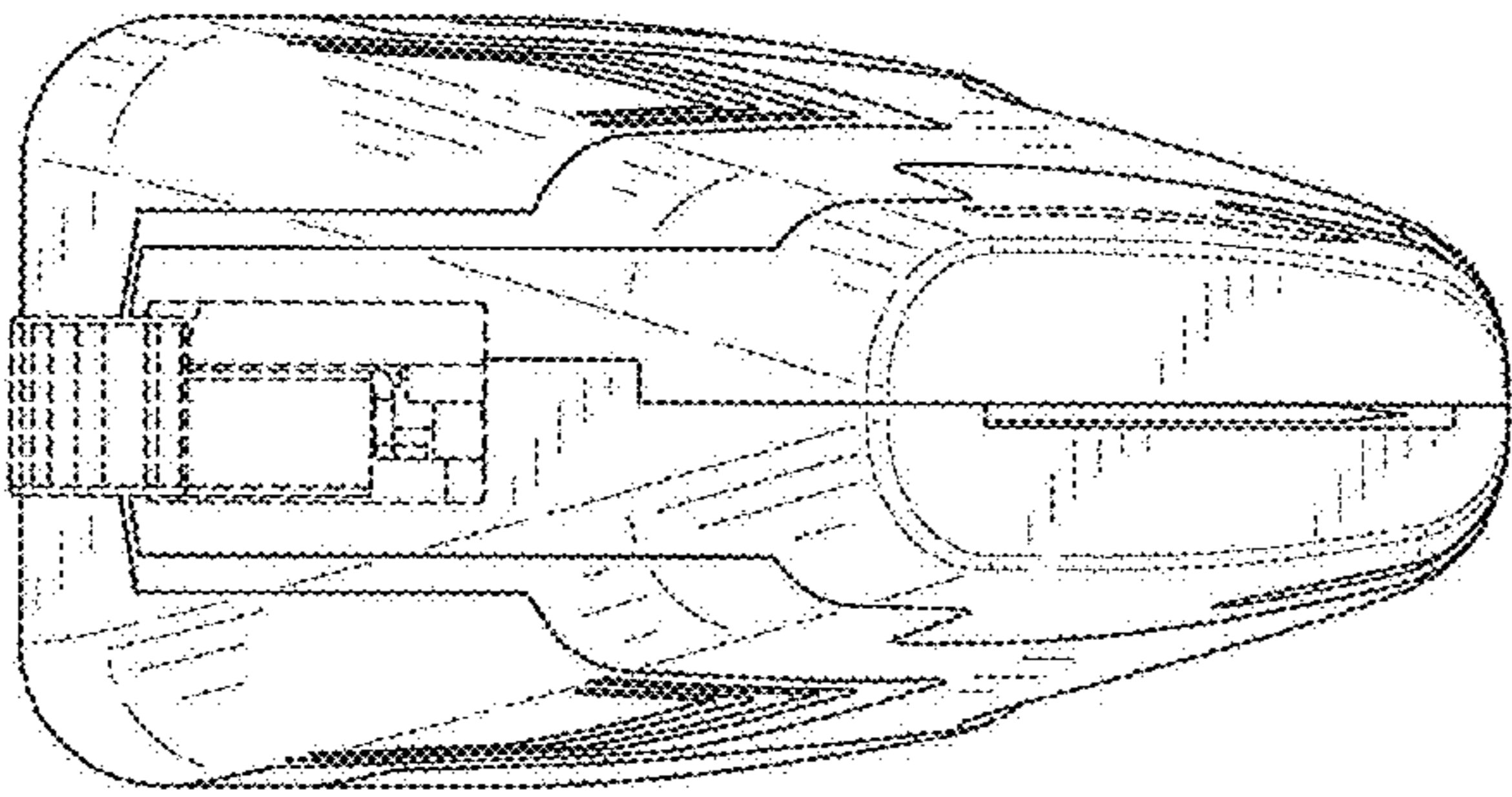


FIG. 4

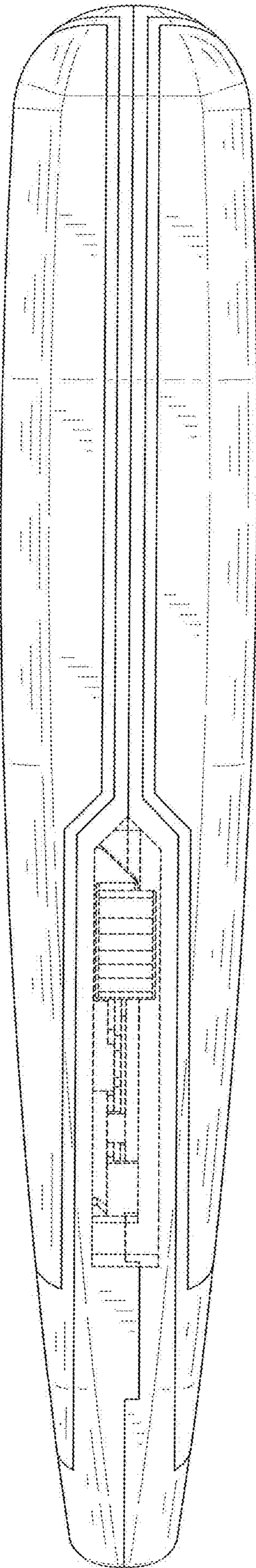


FIG. 6

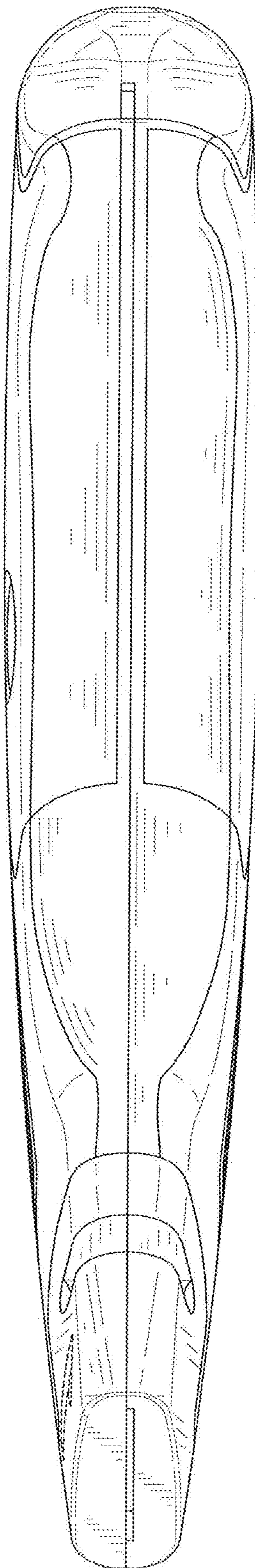


FIG. 7

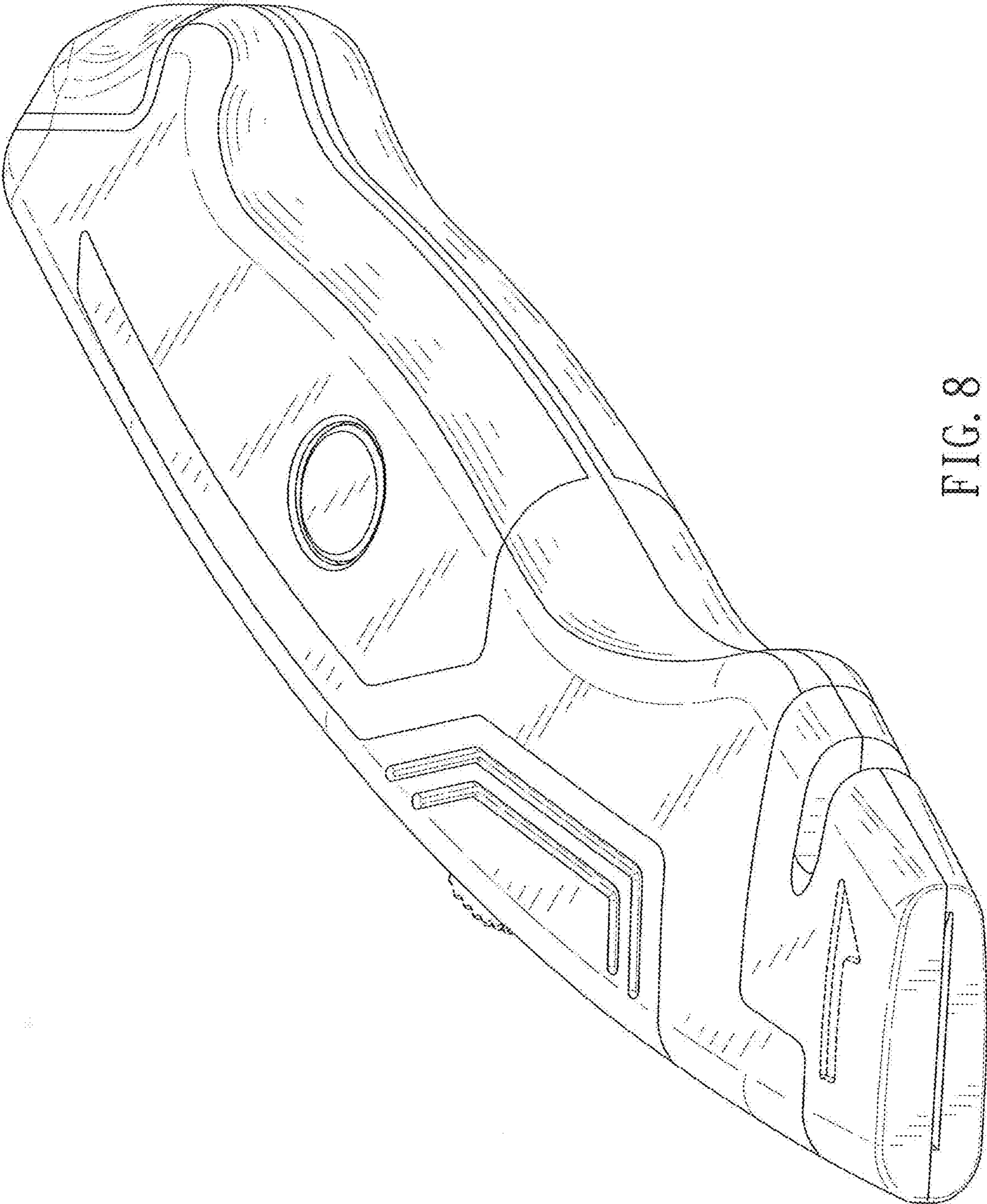


FIG. 8