



US00D922166S

(12) **United States Design Patent** (10) **Patent No.:** **US D922,166 S**
Sawa (45) **Date of Patent:** **** Jun. 15, 2021**

(54) **TOOL BIT ADAPTER**
 (71) Applicant: **MILWAUKEE ELECTRIC TOOL CORPORATION**, Brookfield, WI (US)

7,435,042 B2 10/2008 White et al.
 7,469,909 B2 12/2008 Strauch et al.
 7,669,860 B2 3/2010 Chiang
 (Continued)

(72) Inventor: **Max R. Sawa**, Palatine, IL (US)
 (73) Assignee: **Milwaukee Electric Tool Corporation**, Brookfield, WI (US)

FOREIGN PATENT DOCUMENTS

DE 8902134 8/1989
 EP 0304002 2/1989
 (Continued)

(**) Term: **15 Years**

OTHER PUBLICATIONS

(21) Appl. No.: **29/665,953**

Relton Corporation, "SDS+ Extensions & Quik-Lok Adapters", <<http://relton.com/quik-lok-adaptors/>> website available as early as Jul. 19, 2016, 2 pages.

(22) Filed: **Oct. 9, 2018**

(51) **LOC (13) Cl.** **08-05**

Primary Examiner — Philip S Hyder

(52) **U.S. Cl.**
USPC **D8/70**

(74) *Attorney, Agent, or Firm* — Michael Best & Friedrich LLP

(58) **Field of Classification Search**
 USPC D8/14, 21, 29, 70; D15/139
 CPC . B25B 13/06; B25B 13/5091; B25B 23/0035;
 B25B 23/0057; B23B 31/10; B23B 31/107;
 B23B 31/1071; B23B 31/1072;
 B23B 31/1073

(57) **CLAIM**

I claim the ornamental design for a tool bit adapter, as shown and described.

See application file for complete search history.

DESCRIPTION

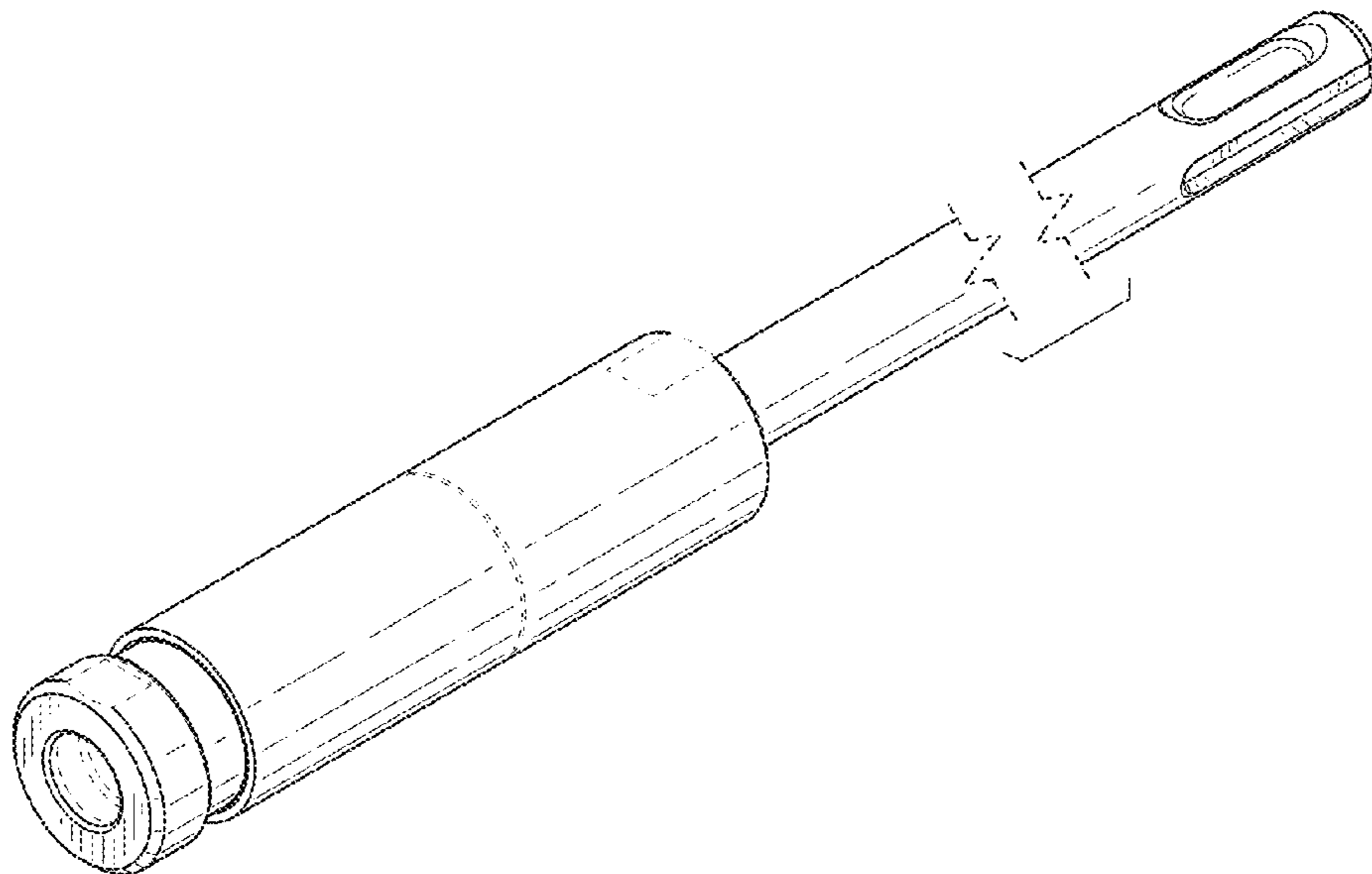
(56) **References Cited**

U.S. PATENT DOCUMENTS

4,131,165 A 12/1978 Wanner et al.
 5,223,375 A 6/1993 Vaughn, Jr.
 D376,084 S * 12/1996 Karvinen D8/70
 5,615,587 A * 4/1997 Foerster, Jr. B25B 13/06
 81/124.2
 6,364,318 B1 * 4/2002 Bedi B25B 23/0035
 279/22
 6,511,268 B1 * 1/2003 Vasudeva B23B 31/1071
 279/14
 6,715,384 B1 * 4/2004 Kozak B25B 13/06
 81/124.2
 D504,933 S * 5/2005 Hopwood D22/147

FIG. 1 is a perspective view of a tool bit adapter showing my new design.
 FIG. 2 is a first side view of the tool bit adapter of FIG. 1.
 FIG. 3 is a second side view of the tool bit adapter of FIG. 1.
 FIG. 4 is a third side view of the tool bit adapter of FIG. 1.
 FIG. 5 is a fourth side view of the tool bit adapter of FIG. 1.
 FIG. 6 is a first end view of the tool bit adapter of FIG. 1; and,
 FIG. 7 is a second end view of the tool bit adapter of FIG. 1.
 The broken lines depict portions of the tool bit adapter in which the design is embodied that are not considered part of the claimed design.

1 Claim, 3 Drawing Sheets



(56)

References Cited

U.S. PATENT DOCUMENTS

7,922,180 B2 * 4/2011 Meng B25B 15/001
279/143
D642,882 S * 8/2011 Lane D8/29
D659,730 S * 5/2012 Cantion D15/140
D673,193 S * 12/2012 Dickrede D15/139
8,468,913 B1 * 6/2013 Bond B25B 23/0035
81/438
8,505,418 B1 8/2013 Chiang
D705,282 S * 5/2014 Jones, Jr. D15/139
8,733,216 B1 * 5/2014 Cantion B25B 23/12
81/439
8,770,898 B2 7/2014 Nordlin
8,864,144 B2 * 10/2014 Hsu B25B 23/0035
279/128
9,089,901 B2 7/2015 White et al.
D736,053 S * 8/2015 Zhang D8/86
9,463,559 B1 * 10/2016 Chan B25G 1/043
D772,030 S * 11/2016 Andersen D8/29
9,844,818 B2 12/2017 White et al.
D853,808 S * 7/2019 Hyma D8/29
2003/0140744 A1 * 7/2003 Chen B25B 23/0035
81/438

2006/0228181 A1 * 10/2006 Kozak B23B 31/005
408/239 R
2006/0254394 A1 * 11/2006 Cantion B25B 23/005
81/125
2007/0187452 A1 * 8/2007 Budzisz B25C 1/00
227/147
2012/0025474 A1 2/2012 Huang
2012/0301238 A1 * 11/2012 Quinn B25D 17/02
408/199
2014/0097582 A1 4/2014 Wang
2015/0102567 A1 * 4/2015 Chan B25B 23/0035
279/75
2017/0165818 A1 6/2017 Zimmermann et al.

FOREIGN PATENT DOCUMENTS

EP 0928668 7/1999
EP 1245341 10/2002
EP 1400655 3/2004
JP 3143187 B2 3/2001
JP 2014100774 A 6/2014
JP 3201562 U 12/2015

* cited by examiner

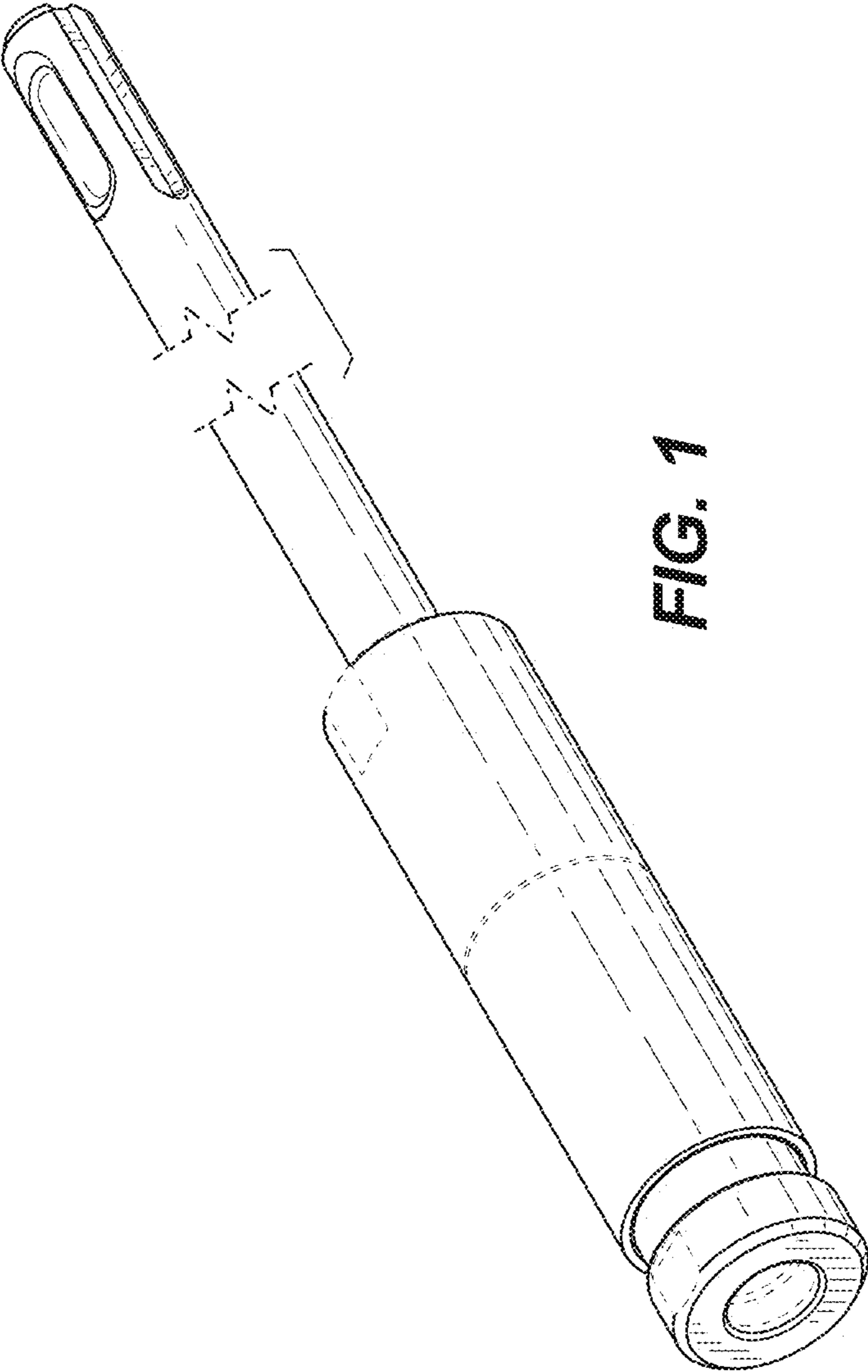


FIG. 1

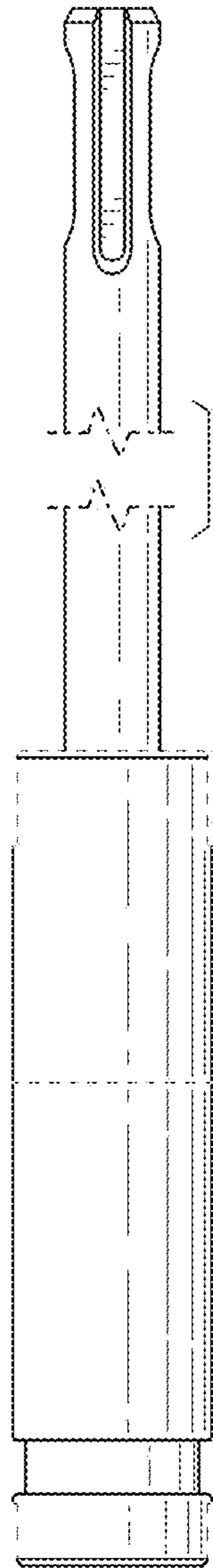


FIG. 2

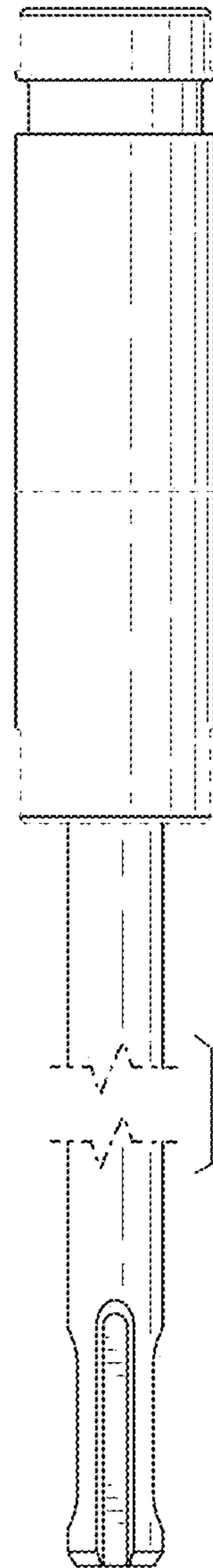


FIG. 3

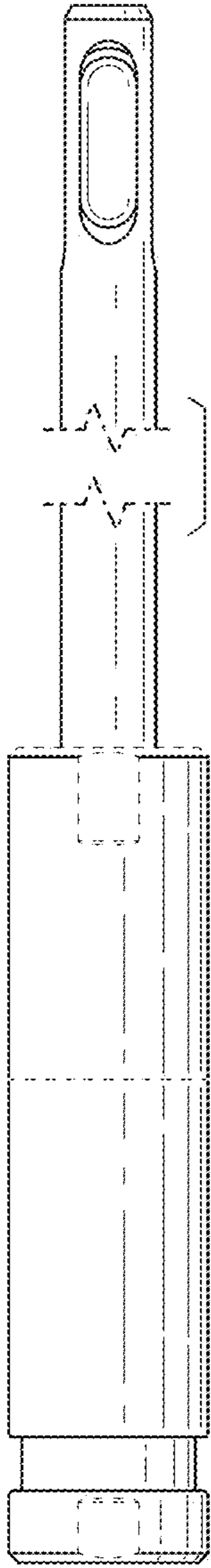


FIG. 4

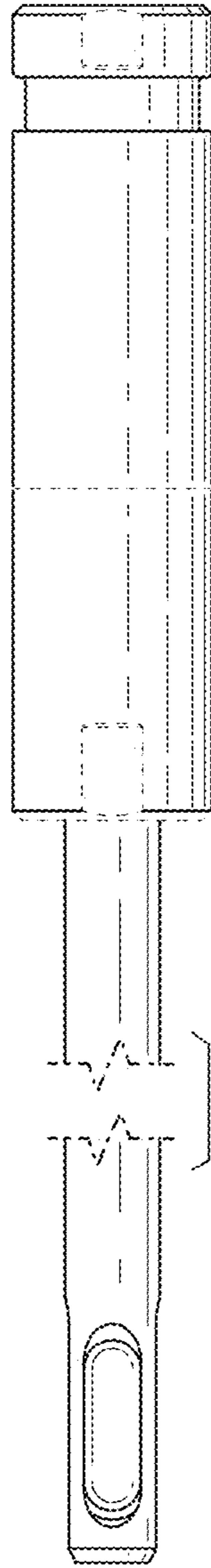


FIG. 5

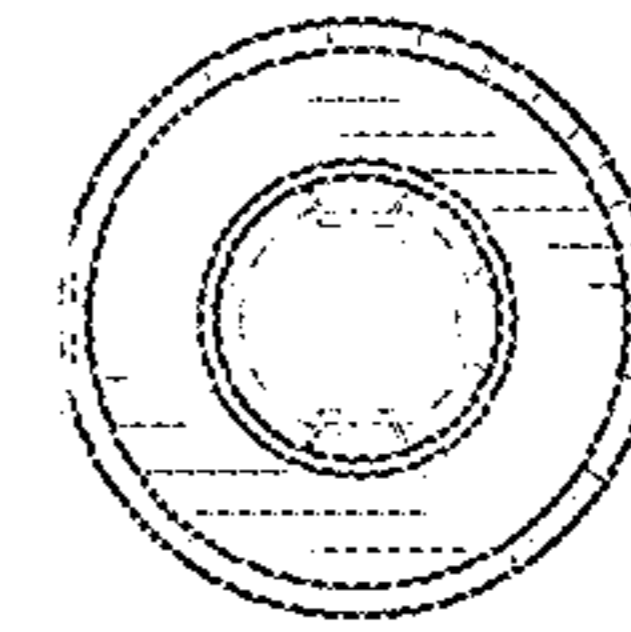


FIG. 6

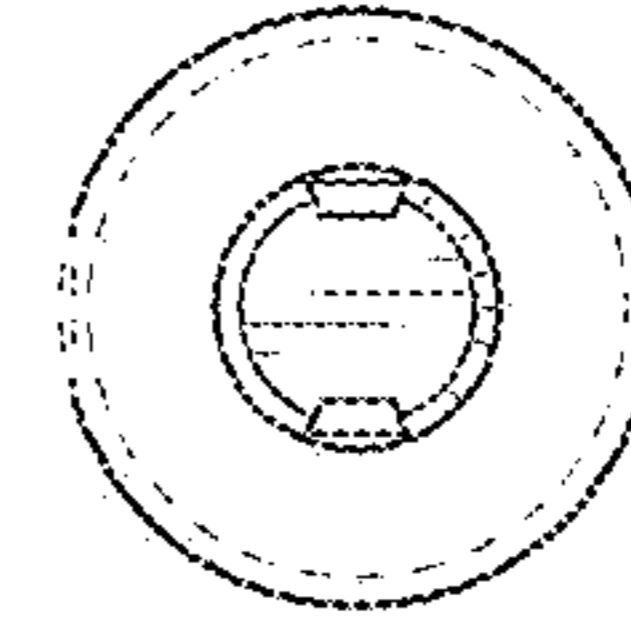


FIG. 7