



US00D922164S

(12) **United States Design Patent** (10) **Patent No.:** **US D922,164 S**
Hung (45) **Date of Patent:** **** Jun. 15, 2021**

- (54) **CAULKING GUN**
- (71) Applicant: **SIANG SYUAN FU ENTERPRISE CO., LTD.**, Changhua County (TW)
- (72) Inventor: **Hung-Chih Hung**, Changhua County (TW)
- (73) Assignee: **SIANG SYUAN FU ENTERPRISE CO., LTD.**, Changhua County (TW)
- (**) Term: **15 Years**
- (21) Appl. No.: **29/706,154**
- (22) Filed: **Sep. 18, 2019**

- D511,077 S * 11/2005 Huang D8/14.1
- D548,551 S * 8/2007 Lopano D8/14.1
- 7,757,904 B2 7/2010 Rumrill et al.
- D640,517 S * 6/2011 Rumrill D8/14.1
- 8,011,538 B2 * 9/2011 Herman B05C 17/01
222/326
- 8,087,550 B2 1/2012 Schneider et al.
- 8,857,672 B2 10/2014 Naughton et al.
- D751,876 S * 3/2016 Herman D8/14.1
- 9,630,204 B2 4/2017 Hung
- D793,826 S * 8/2017 Sichien D8/14.1
- 9,737,904 B2 8/2017 Hung
- 9,776,204 B2 10/2017 Hung
- 9,827,588 B2 11/2017 Hung
- 2002/0145015 A1 10/2002 Nelson
- 2004/0267272 A1 12/2004 Henniges et al.
- 2007/0235475 A1 10/2007 Schneider et al.
- 2009/0065527 A1 3/2009 Buck
- 2012/0145749 A1 6/2012 Hung

(Continued)

Related U.S. Application Data

- (63) Continuation-in-part of application No. 15/970,060, filed on May 3, 2018, now abandoned.
- (51) **LOC (13) Cl.** **08-05**
- (52) **U.S. Cl.**
USPC **D8/14.1**
- (58) **Field of Classification Search**
USPC D8/14, 14.1, 51, 68
CPC B05C 17/01; B05C 17/0123; B05C
17/00596; B05C 17/0016; B05C 21/00
See application file for complete search history.

Primary Examiner — Philip S Hyder

(74) *Attorney, Agent, or Firm* — Muncy, Geissler, Olds & Lowe, P.C.

(57) **CLAIM**

I claim the ornamental design for a caulking gun, as shown and described.

DESCRIPTION

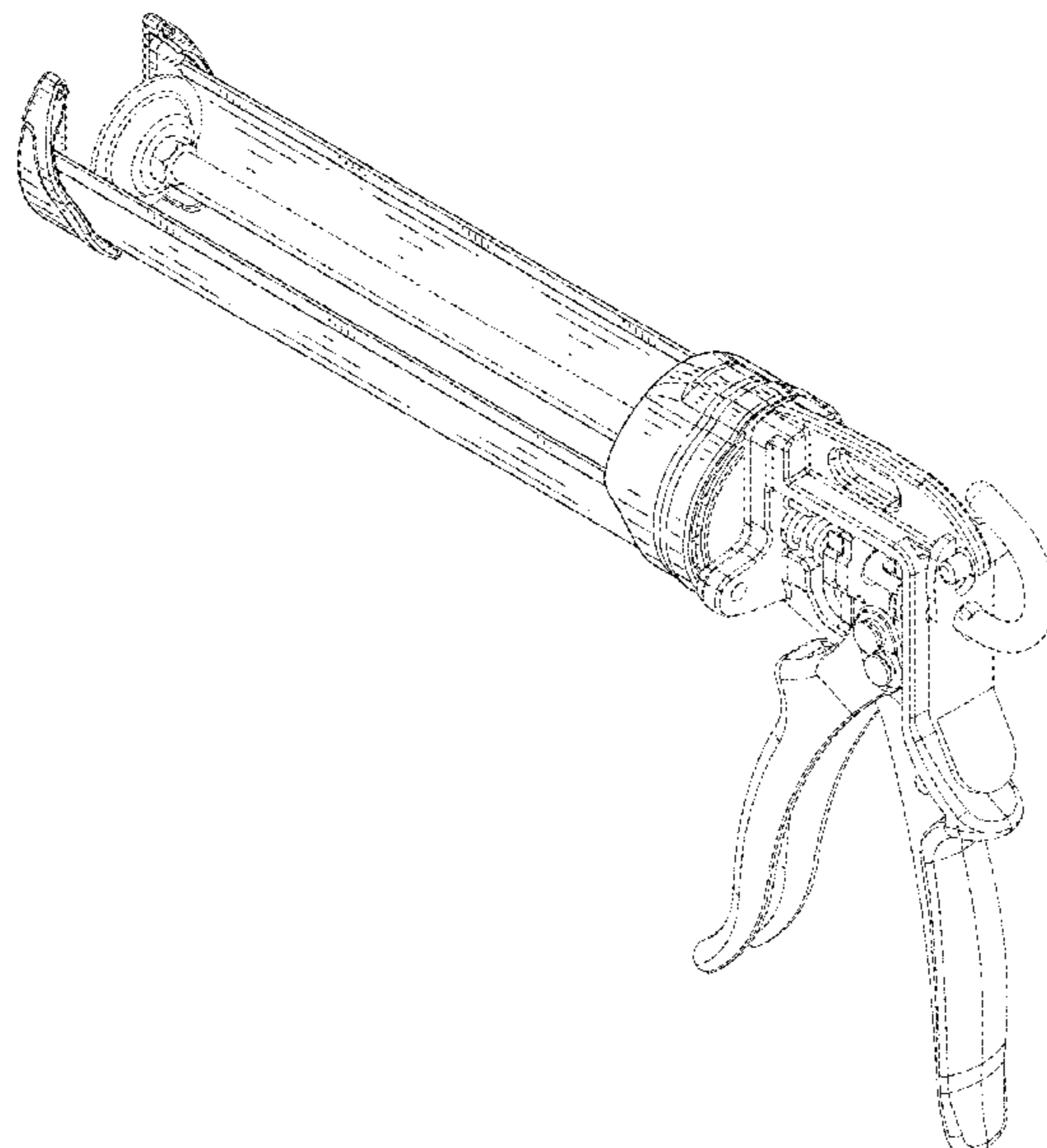
FIG. 1 is a top, front, right perspective view of a caulking gun showing my new design;
 FIG. 2 is a front view thereof;
 FIG. 3 is a rear view thereof;
 FIG. 4 is a left view thereof;
 FIG. 5 is a right view thereof;
 FIG. 6 is a top plan view thereof;
 FIG. 7 is a bottom plan view thereof; and,
 FIG. 8 is a bottom, rear, left perspective view.
 The portions shown in broken lines are for illustrative purposes only and form no part of the claimed design.

(56) **References Cited**

U.S. PATENT DOCUMENTS

- 2,732,102 A 11/1951 Ekins
- 4,330,070 A 5/1982 Doubleday
- 4,741,462 A 5/1988 Schneider, Jr.
- 5,211,312 A 5/1993 Chang
- D413,235 S * 8/1999 Hwang D8/14.1
- 6,395,006 B1 5/2002 Burchett
- 6,454,138 B1 * 9/2002 Greenhill B05C 17/00559
222/391
- D505,306 S * 5/2005 Gaddy D8/14.1

1 Claim, 6 Drawing Sheets



(56)

References Cited

U.S. PATENT DOCUMENTS

2012/0318826 A1 12/2012 Naughton et al.
2016/0288160 A1 10/2016 Hung
2016/0288162 A1 10/2016 Hung
2016/0310983 A1 10/2016 Hung
2017/0291190 A1 10/2017 Hung

* cited by examiner

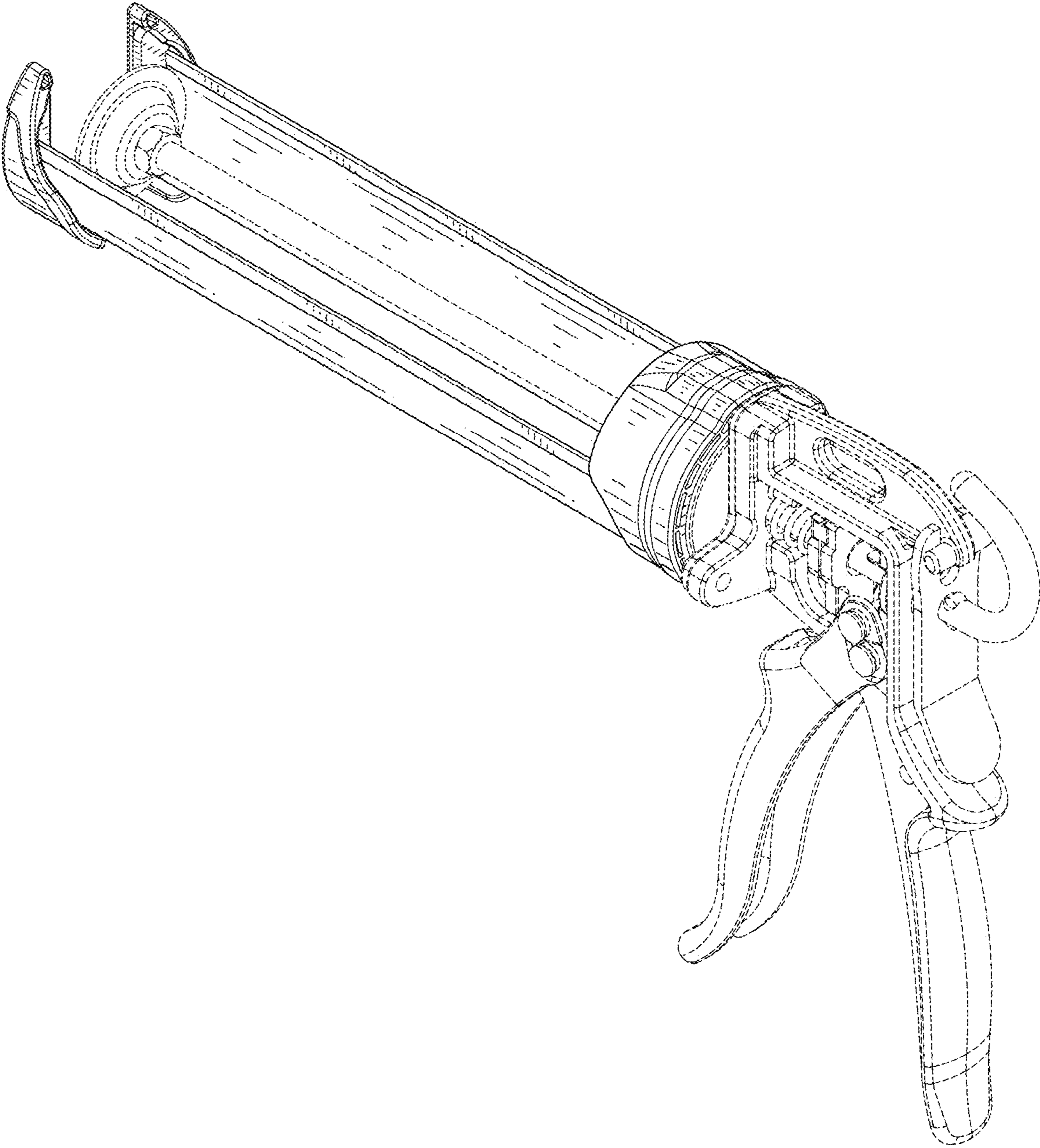


FIG. 1

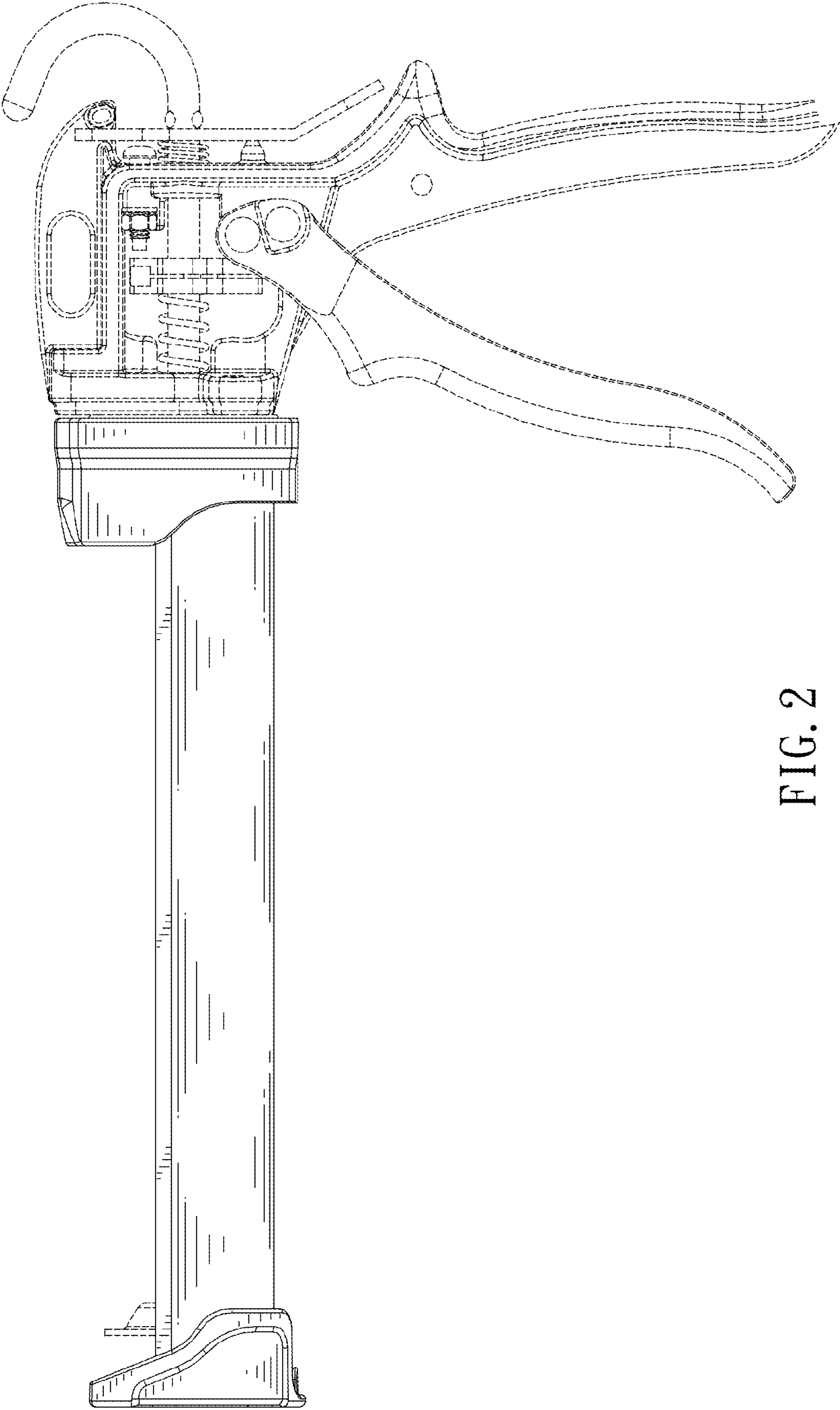


FIG. 2

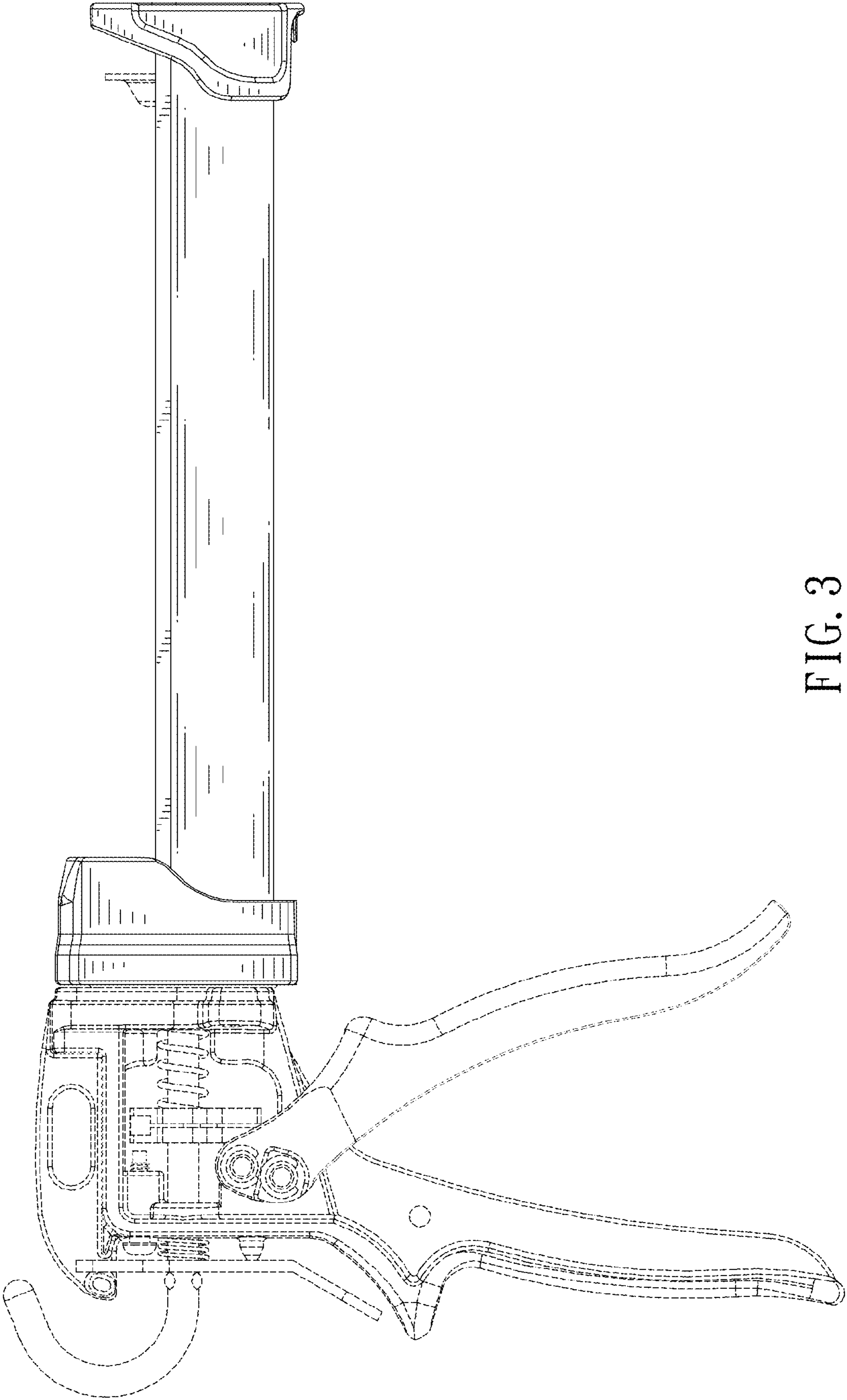


FIG. 3

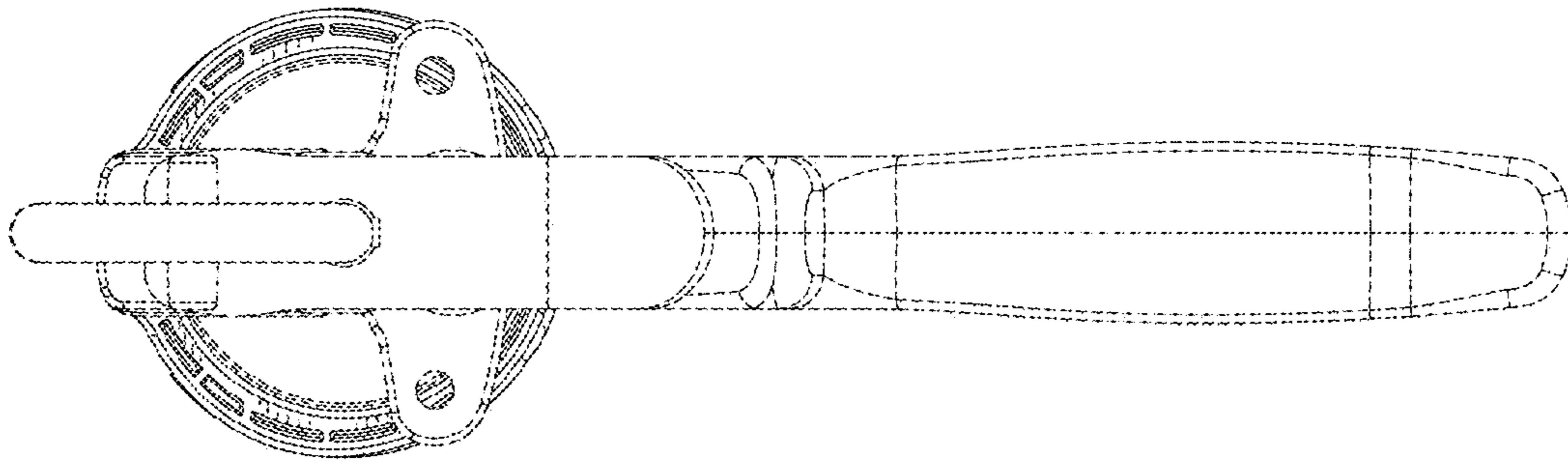


FIG. 5

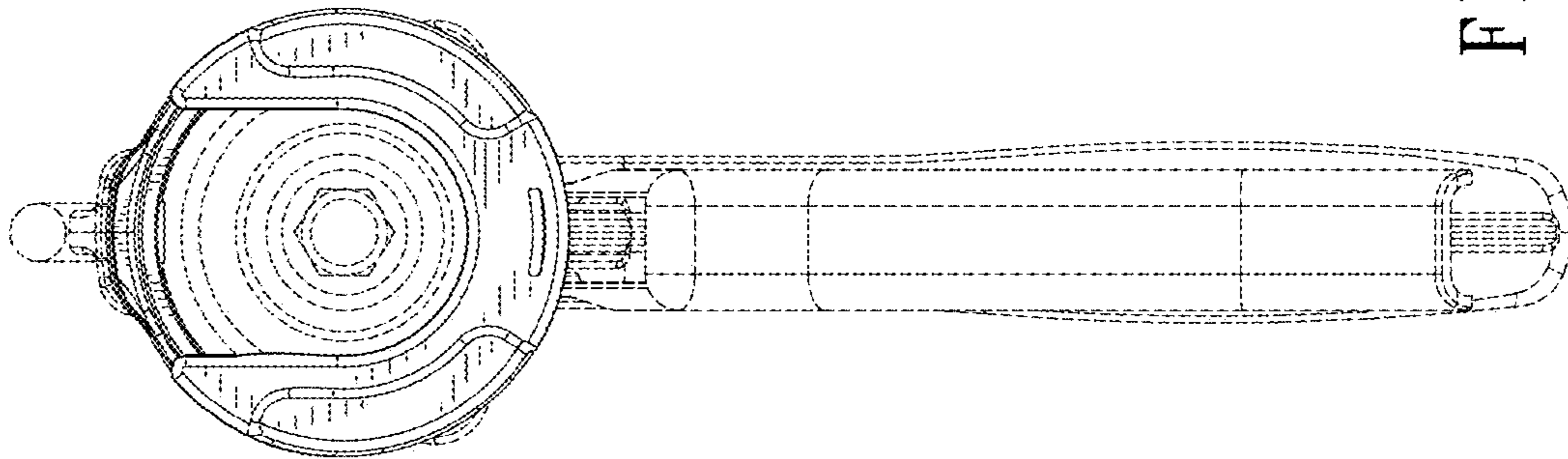


FIG. 4

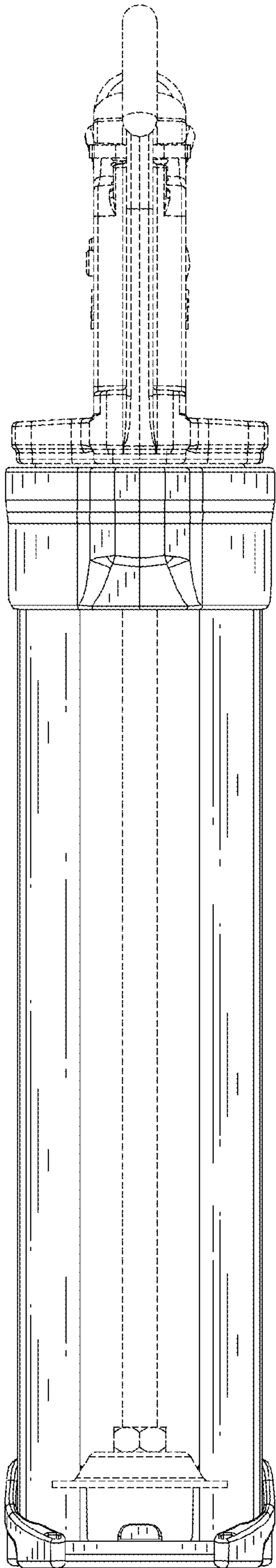


FIG. 6

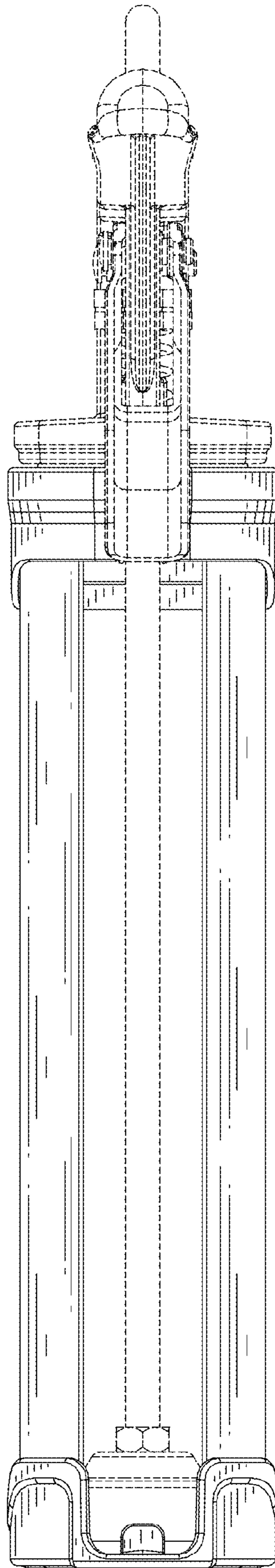


FIG. 7

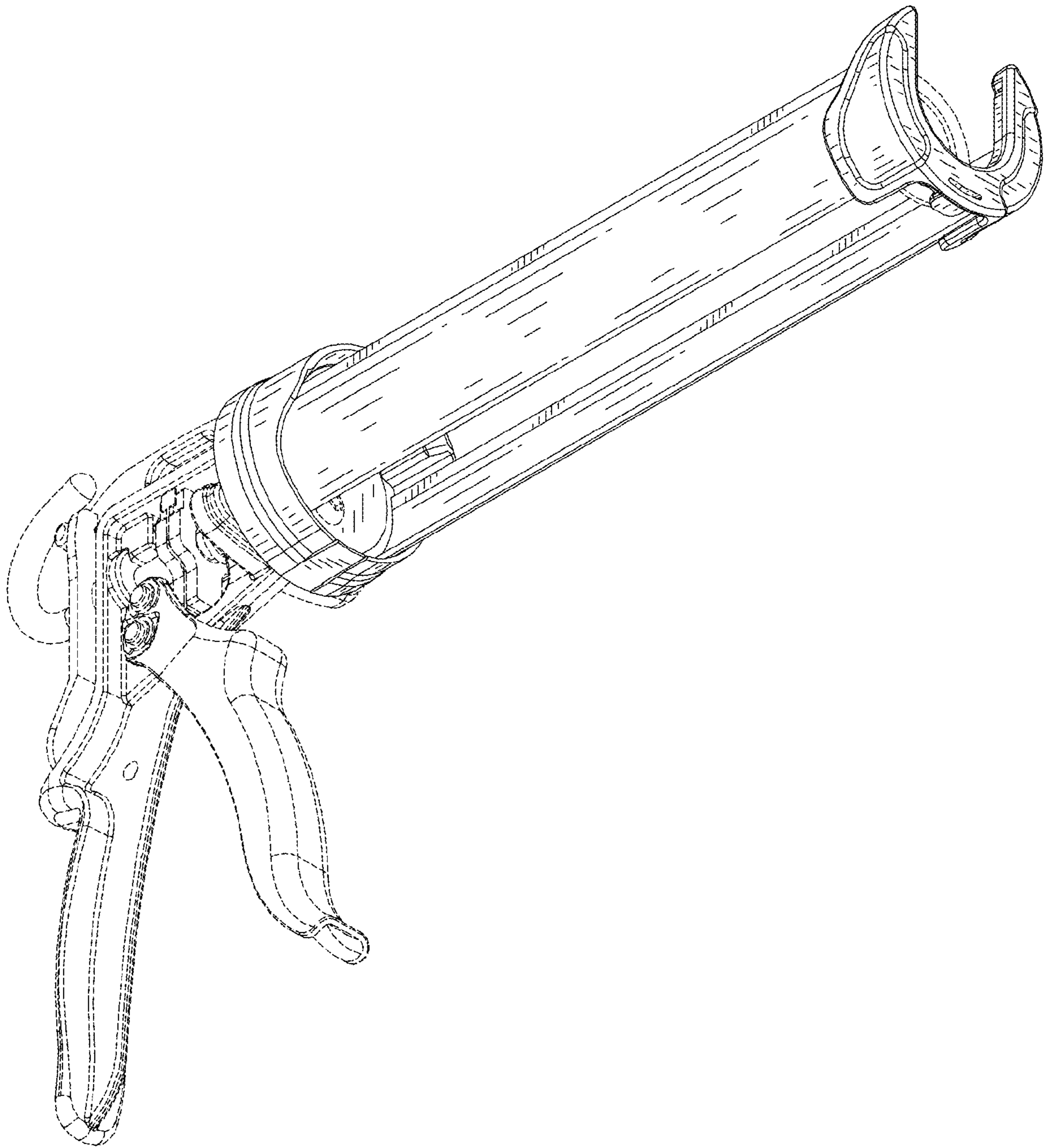


FIG. 8