



US00D922162S

(12) **United States Design Patent** (10) **Patent No.:** **US D922,162 S**
Szeliga (45) **Date of Patent:** **** Jun. 15, 2021**

(54) **BAKING TRAY RACK**
(71) Applicant: **Donald Szeliga**, Williamsville, NY (US)
(72) Inventor: **Donald Szeliga**, Williamsville, NY (US)
(**) Term: **15 Years**

5,823,100 A 10/1998 Wienhold
5,833,083 A 11/1998 Miller
D457,753 S 5/2002 Tiemann
D460,295 S * 7/2002 Fissell D32/58
D465,891 S * 11/2002 Brown D32/55
6,560,842 B1 5/2003 Kusel
D509,108 S * 9/2005 Rosenberg D7/601
7,942,747 B2 * 5/2011 Cole A63F 13/02
463/47

(Continued)

(21) Appl. No.: **29/711,169**
(22) Filed: **Oct. 29, 2019**
(51) **LOC (13) Cl.** **07-06**
(52) **U.S. Cl.**
USPC **D7/701**
(58) **Field of Classification Search**
USPC D7/601, 602, 701, 703, 705, 706, 707, D7/708, 708.1; D3/201, 273, 295; D6/672, 675, 675.1, 675.2, 675.3, 675.5, D6/678, 678.1, 678.2, 682, 682.1, 682.3, D6/682.4, 683, 683.1, 702, 705; D9/414, D9/423, 424, 455, 751, 757, 761
CPC A47B 73/00; A47B 73/006; A47B 88/00; A47B 88/40; A47B 2210/06; A47B 2210/07; A47B 2210/08; A45C 11/20; A47G 19/2255; A47G 19/2261; A47G 19/32; A47G 21/001; A47G 23/02; A47G 23/0208; A47G 23/0216; A47G 23/0225; A47G 23/0258; A47G 23/0266; A47G 23/0316; A47G 23/06; A47G 23/0641; A47G 2023/0283; A47G 29/093; A47J 47/14; A47J 47/16
See application file for complete search history.

OTHER PUBLICATIONS

Linden Sweden Metal Baker's Cooling Rack, first available May 5, 2003, Amazon, [online], [site visited Apr. 2, 2021], Available from internet URL: <https://www.amazon.com/Linden-Sweden-Metal-Bakers-Cooling/dp/B00076VGQ4> (Year: 2003).*

(Continued)

Primary Examiner — Mary Ann Calabrese
Assistant Examiner — Natalya M Rapundalo

(57) **CLAIM**

The ornamental design for a baking tray rack, as shown and described.

DESCRIPTION

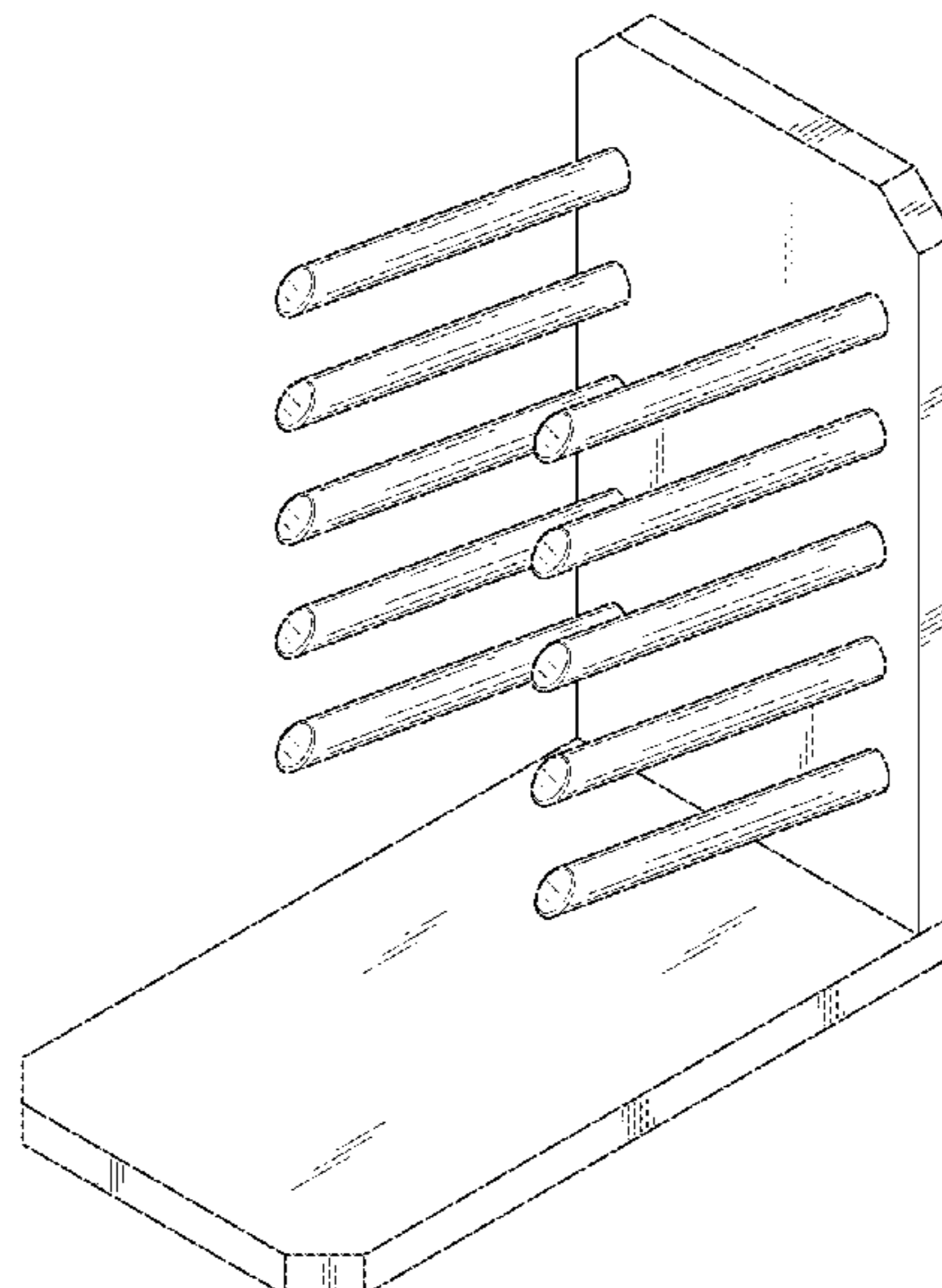
FIG. 1 is a right side view of a baking tray rack showing my new design;
FIG. 2 is a left side view of the baking tray rack;
FIG. 3 is a rear view of the baking tray rack;
FIG. 4 is a front view of the baking tray rack;
FIG. 5 is a top view of the baking tray rack;
FIG. 6 is a bottom view of the baking tray rack;
FIG. 7 is a top front side perspective view of the baking tray rack; and,
FIG. 8 is a top front side perspective view of the baking tray rack in use.
The broken lines in FIG. 8 are illustrative of environmental structure forming no part of the claimed design.

(56) **References Cited**

U.S. PATENT DOCUMENTS

D314,476 S * 2/1991 Behrman D6/682.6
5,244,104 A 9/1993 Green
D368,186 S 3/1996 Tiemann

1 Claim, 6 Drawing Sheets



(56)

References Cited

U.S. PATENT DOCUMENTS

8,844,737 B2 9/2014 Bukowski
D714,592 S * 10/2014 Chen D7/600.1
D891,202 S * 7/2020 Kasza D7/701

OTHER PUBLICATIONS

Eisco CH0001C Wood Draining Rack, first available Jun. 21, 2013, Amazon, [online], [site visited Apr. 2, 2021], Available from internet URL: <https://www.amazon.com/Eisco-CH0001C-Wood-Draining-Mountable/dp/B00DJ73WHO> (Year: 2013).*

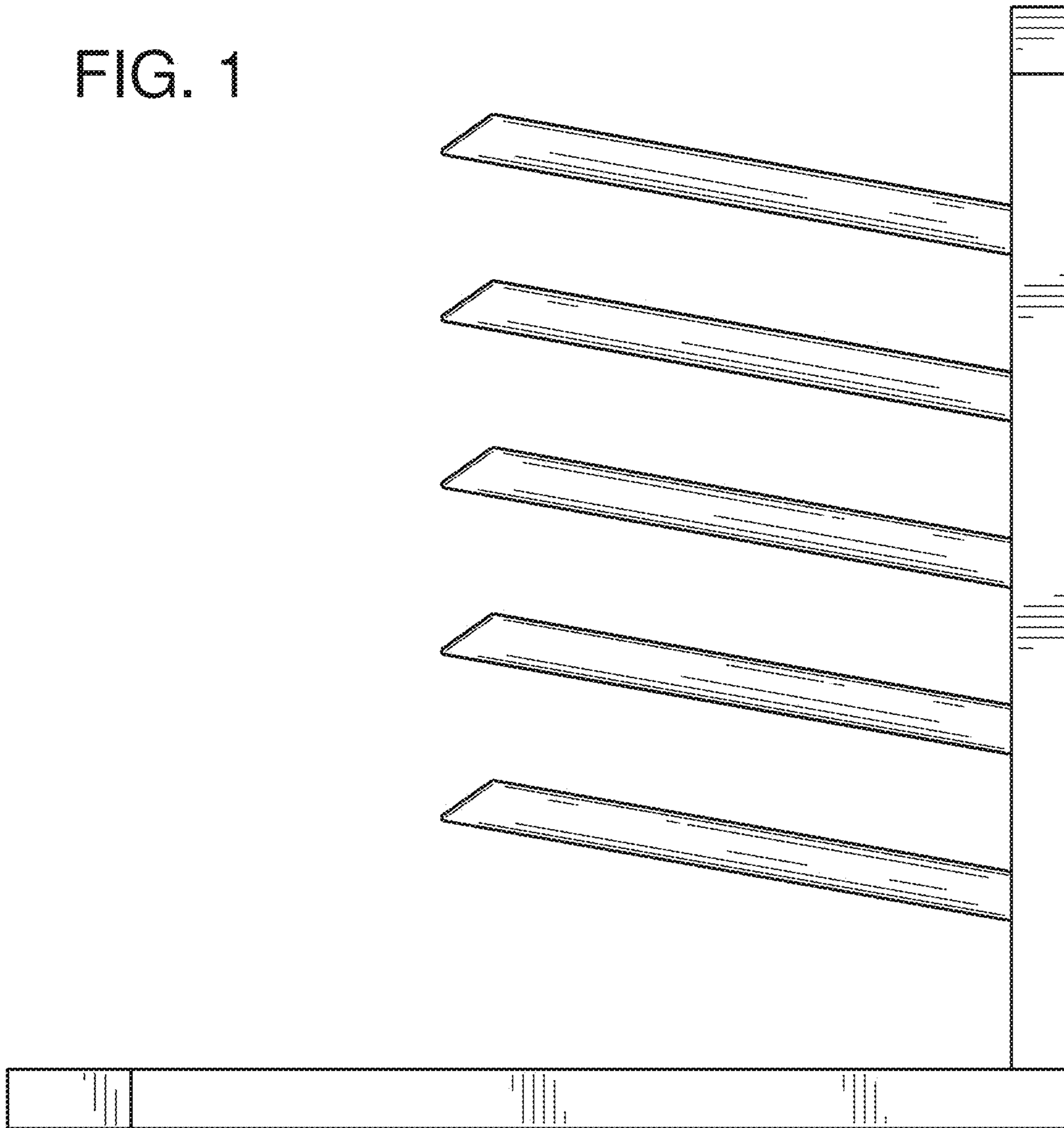
Design No. 302870902, Jul. 9, 2014—CN, China National Intellectual Property Administration (CNIPA) Publication Date—Jul. 9, 2014 Owner—Heilongjiang Nongken Vocational College, Designer—Song Fei, Sun Yanhua WIPO, available at <https://www3.wipo.int/designdb/en/index.jsp> (Year: 2014).*

Innerneed Bamboo Wooden Plate Racks Dish Stand Holder, first available Oct. 27, 2016, Amazon, [online], [site visited Apr. 2, 2021], Available from internet URL: <https://www.amazon.com/INNERNEED-Kitchen-Storage-Cabinet-Organizer/dp/B01MFCU6ST> (Year: 2016).*

Design No. 6005407, Jan. 9, 2017—GB, Intellectual Property Office (IPO) Publication Date—Jan. 9, 2017 Owner—Artom Marshall DesignView, available at www.tmdn.org/tmdsview-web/welcome (Year: 2017).*

* cited by examiner

FIG. 1



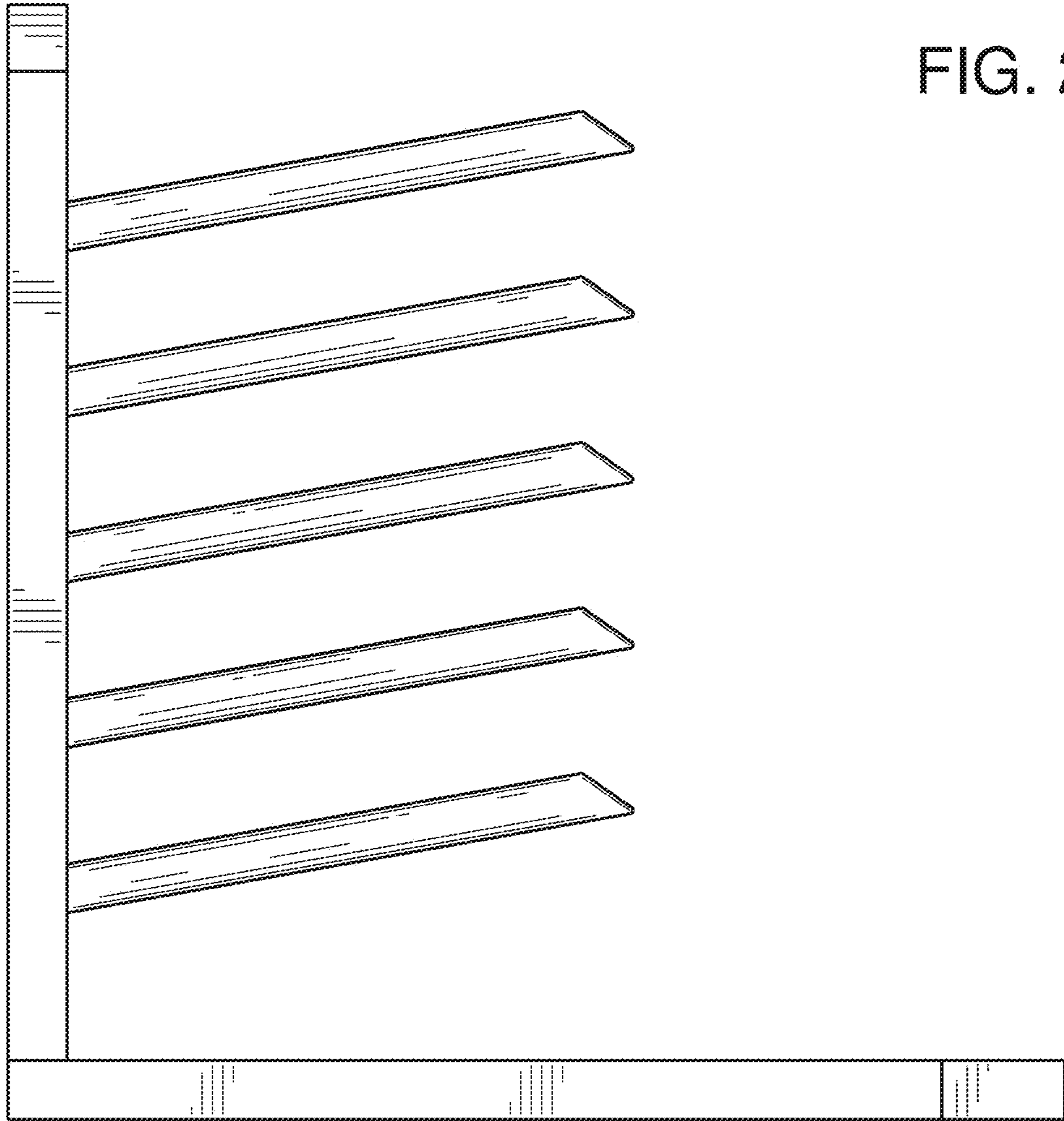


FIG. 2

FIG. 3

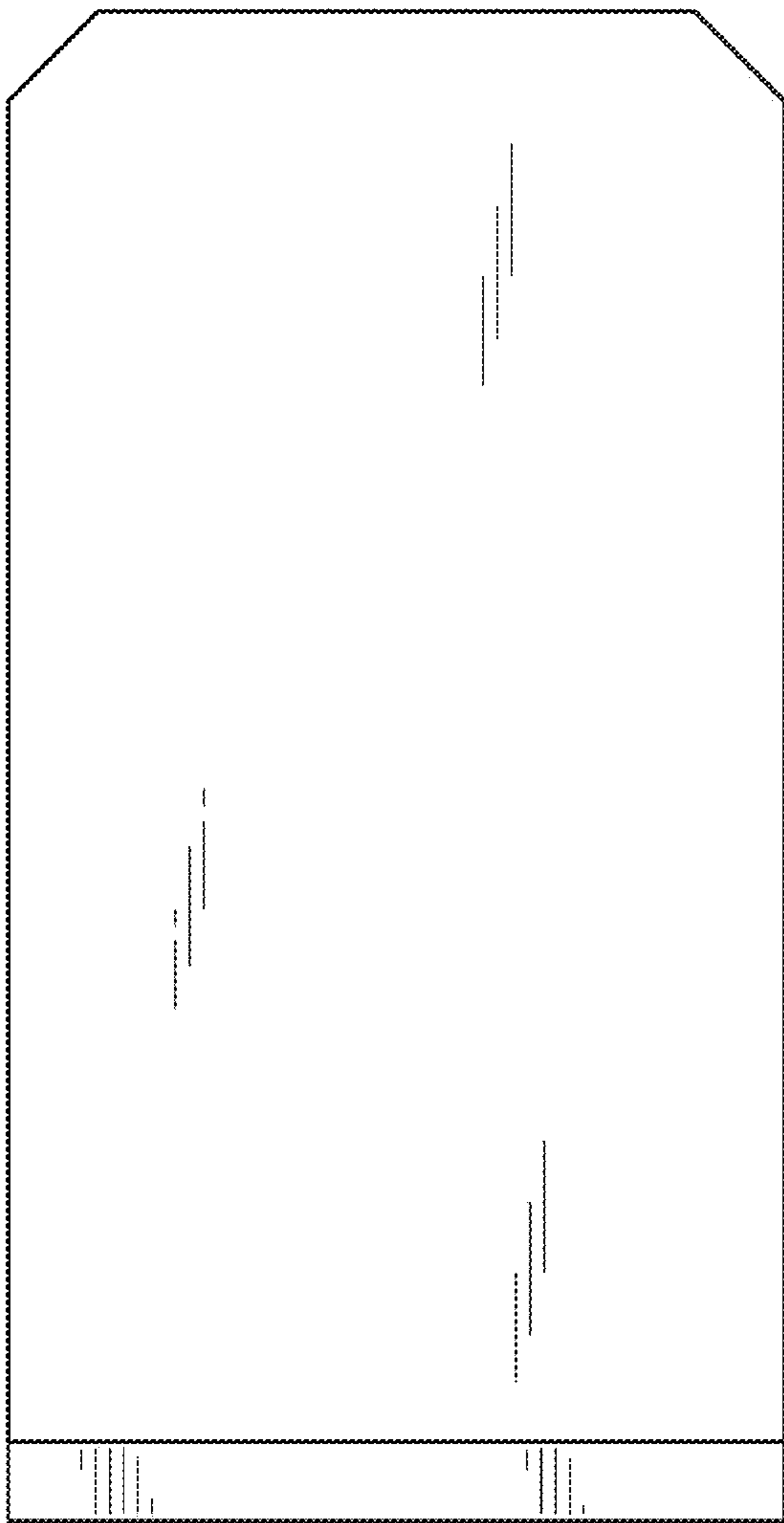


FIG. 4

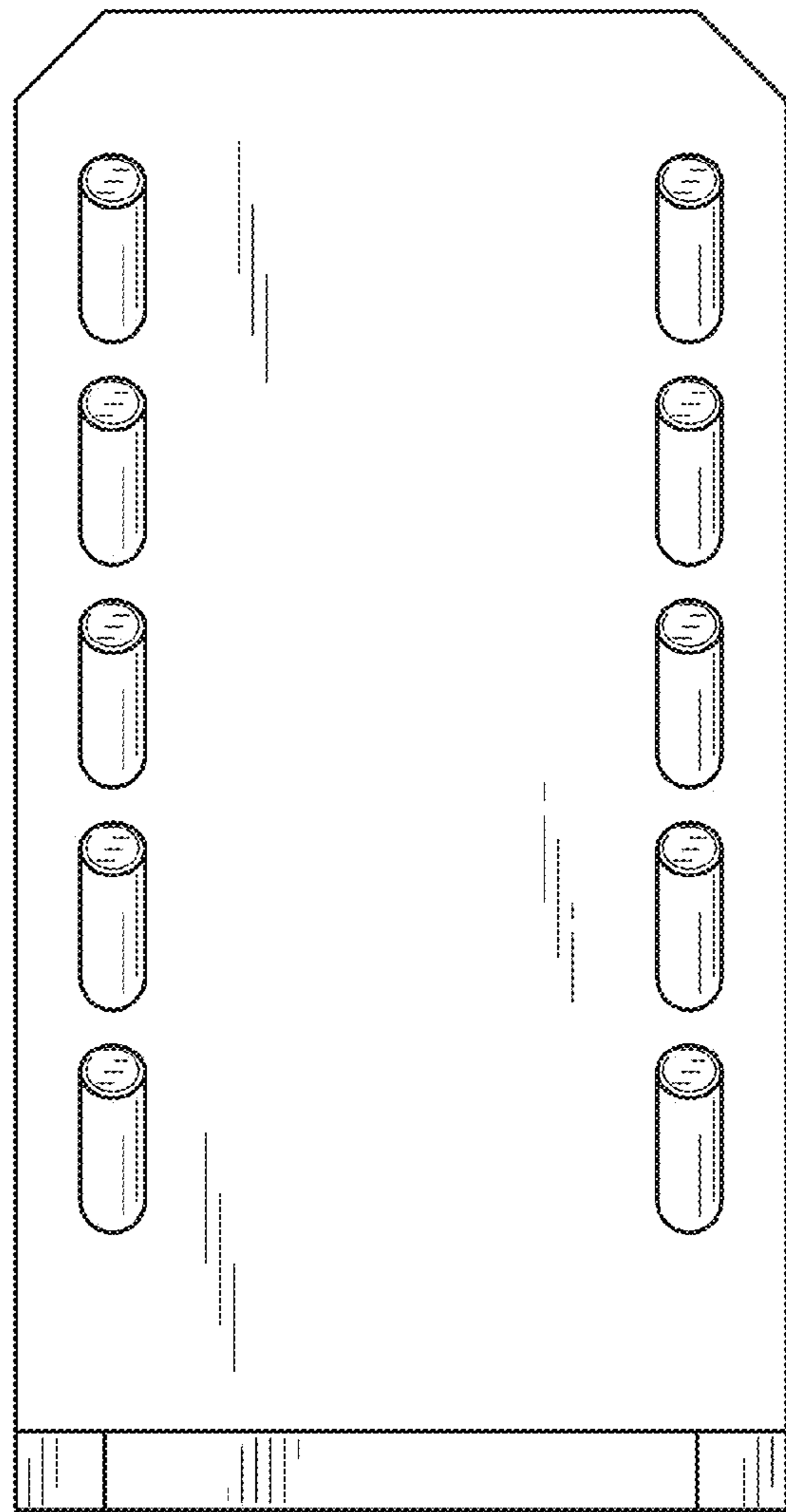


FIG. 5

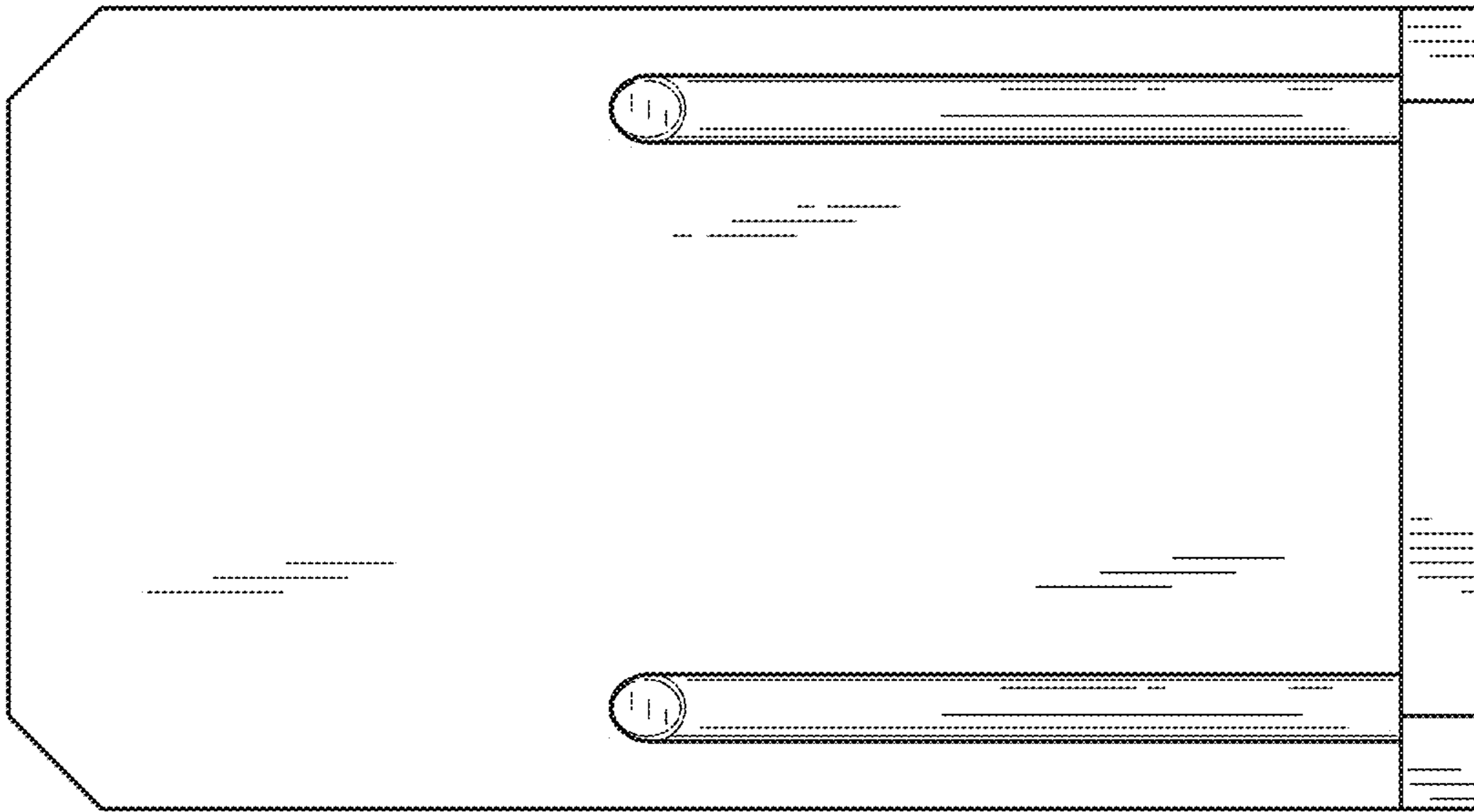


FIG. 6

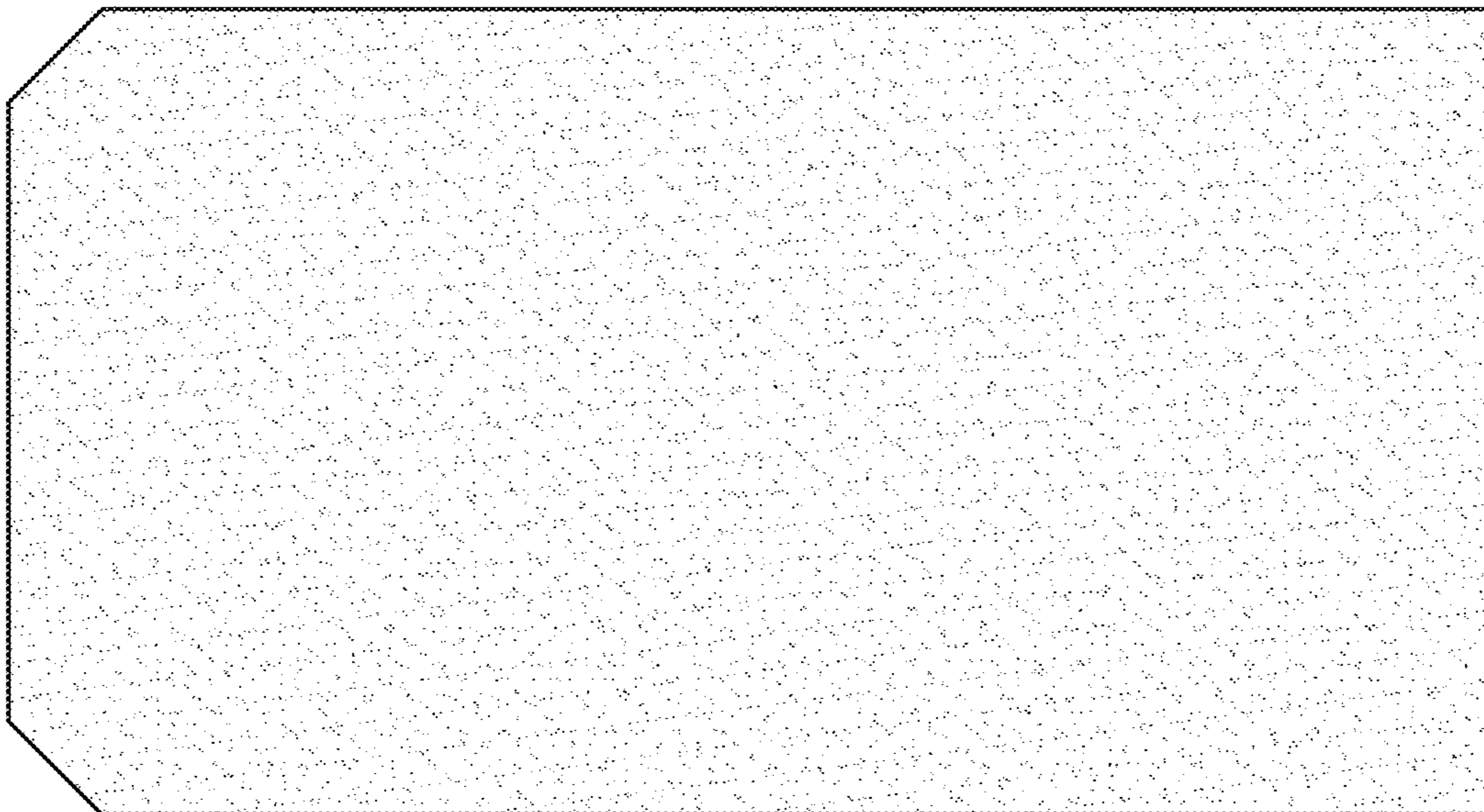


FIG. 7

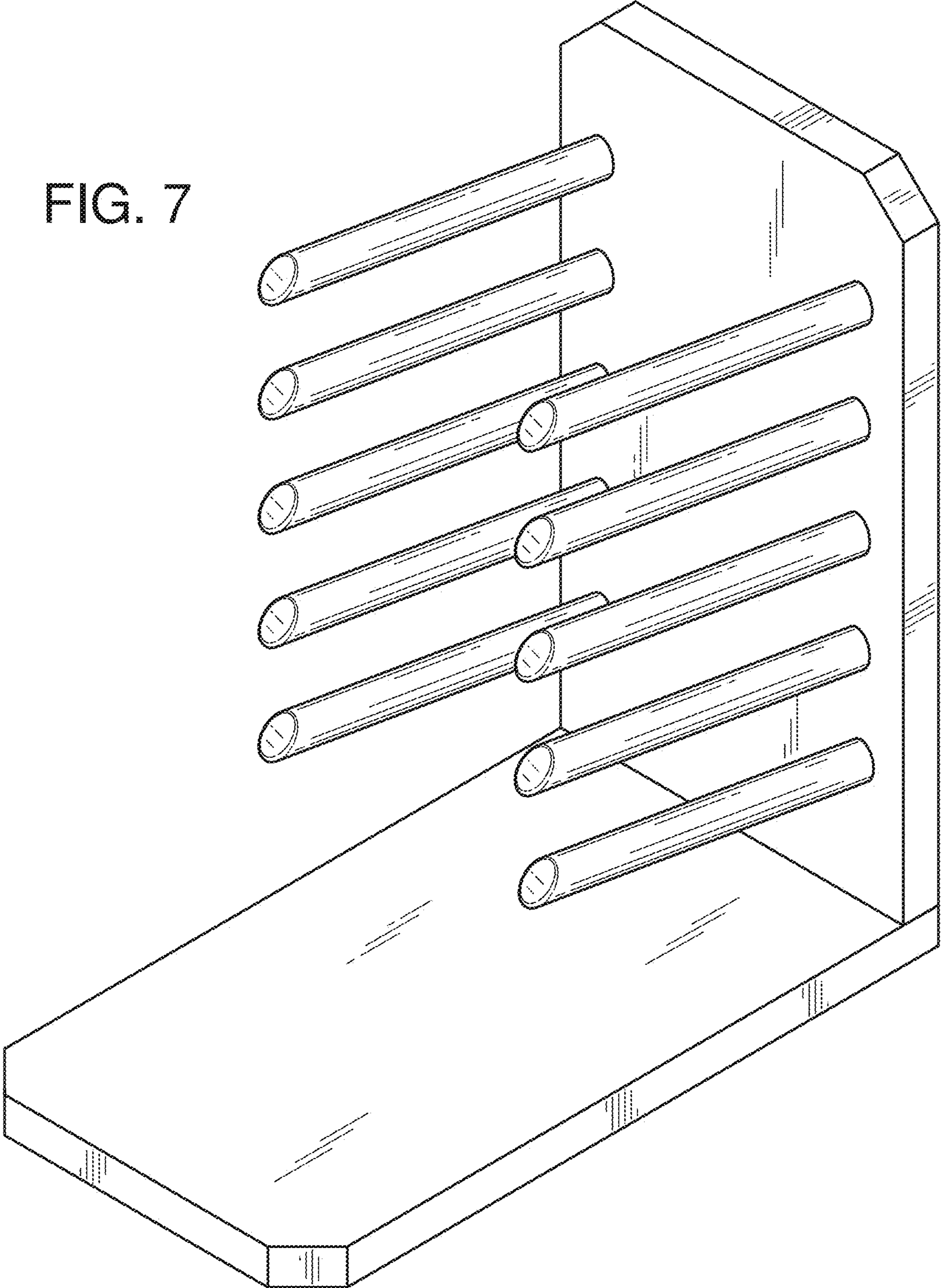


FIG. 8

