



US00D922158S

(12) **United States Design Patent** (10) **Patent No.:** **US D922,158 S**  
**Chen** (45) **Date of Patent:** **\*\* Jun. 15, 2021**

(54) **DONUT CUTTER**  
(71) Applicant: **Weisen Chen**, Qingyuan (CN)  
(72) Inventor: **Weisen Chen**, Qingyuan (CN)  
(\*\*) Term: **15 Years**  
(21) Appl. No.: **29/764,620**  
(22) Filed: **Dec. 31, 2020**  
(51) **LOC (13) Cl.** ..... **07-04**  
(52) **U.S. Cl.**  
USPC ..... **D7/672; D7/693**  
(58) **Field of Classification Search**  
USPC ..... D7/672, 673, 675-677, 412, 693, 694,  
D7/696; 30/301, 305  
CPC ..... A21C 11/106; A21C 15/04; A47J 25/00;  
A47J 43/282  
See application file for complete search history.

D179,131 S \* 11/1956 Frey ..... D7/672  
D253,218 S 10/1979 Johnson  
4,245,973 A \* 1/1981 Greaney ..... A47J 43/282  
D7/672  
4,789,555 A \* 12/1988 Judd ..... A21C 11/106  
30/301  
D397,277 S \* 8/1998 Gibbs, Jr. .... D7/672  
D550,521 S \* 9/2007 Roberson ..... D7/672  
D671,804 S \* 12/2012 Lopez ..... D7/672

**OTHER PUBLICATIONS**

Hulisen, Hulisen Donut Cutter, Jul. 23, 2020, Amazon, <https://www.amazon.com/HULISEN-Stainless-Doughnut-Biscuit-Professional/dp/B08DHT9B14> (Year: 2020).\*  
Kwik-kut, Kwik-kut Delux Serrated Manual Food Chopper, Mar. 17, 2010, Amazon, <https://www.amazon.com/Kwik-kut-TE-70-Serrated-Stainless-2-875-Inch/dp/B001B136YY> (Year: 2010).\*

\* cited by examiner

*Primary Examiner* — Brett Miller

(74) *Attorney, Agent, or Firm* — Justin Lampel

(56) **References Cited**

**U.S. PATENT DOCUMENTS**

18,647 A \* 11/1857 Peckham ..... A47J 43/282  
30/301  
468,893 A \* 2/1892 Palmiter ..... A21C 11/106  
30/301  
634,892 A \* 10/1899 Jenks ..... A47J 25/00  
30/316  
700,725 A \* 5/1902 Bone ..... A21C 11/106  
30/301  
935,576 A \* 9/1909 Bates ..... A21C 11/106  
30/301  
1,322,942 A \* 11/1919 Peterson ..... A21C 11/106  
30/301  
1,374,092 A \* 4/1921 Norcross ..... B26D 3/26  
30/301  
1,520,856 A \* 12/1924 Cosman ..... A21C 11/106  
30/316  
2,332,595 A \* 10/1943 Paquette ..... A21C 11/106  
30/122  
2,370,650 A \* 3/1945 Fitzsimmons ..... A21C 11/106  
30/301

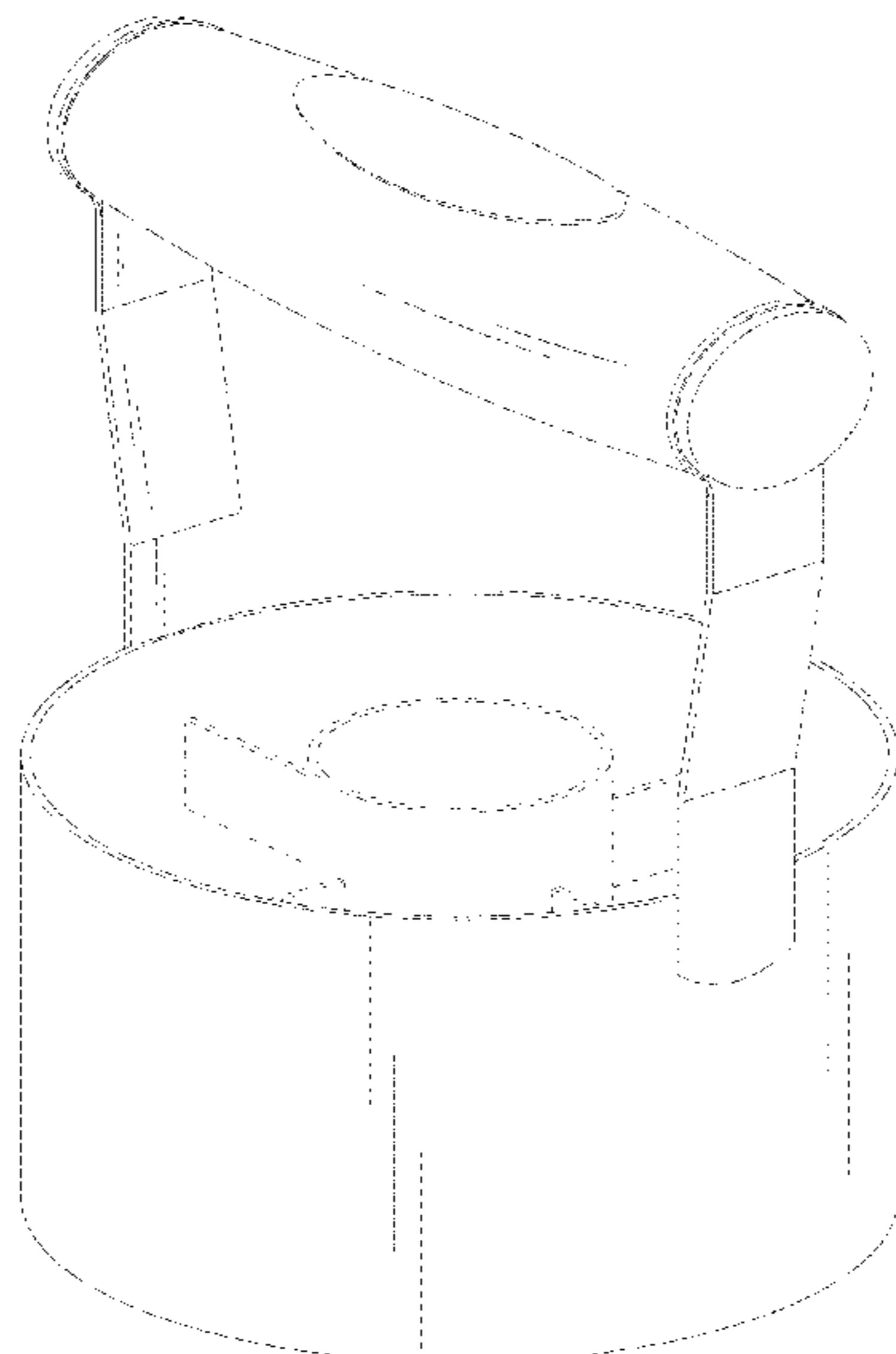
(57) **CLAIM**

The ornamental design for a donut cutter, as shown and described.

**DESCRIPTION**

FIG. 1 is a perspective view of a donut cutter showing the claimed design;  
FIG. 2 is a top plan view thereof;  
FIG. 3 is a left side elevational view thereof;  
FIG. 4 is a front elevational view thereof;  
FIG. 5 is a right side elevational view thereof;  
FIG. 6 is a back elevational view thereof; and,  
FIG. 7 is a bottom plan view thereof.  
The broken lines depict portions of the donut cutter that form no part of the claimed design.

**1 Claim, 7 Drawing Sheets**



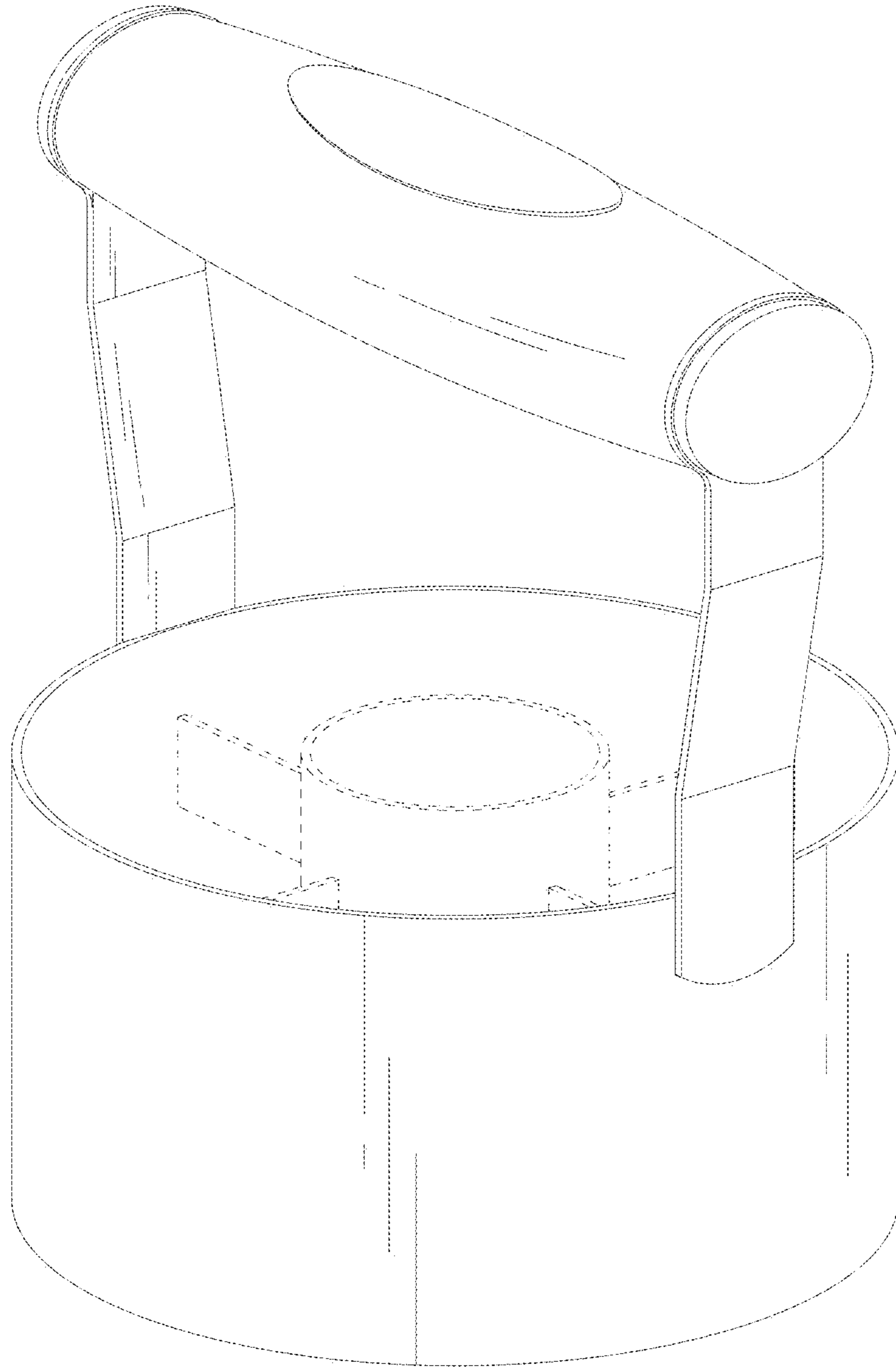


FIG.1

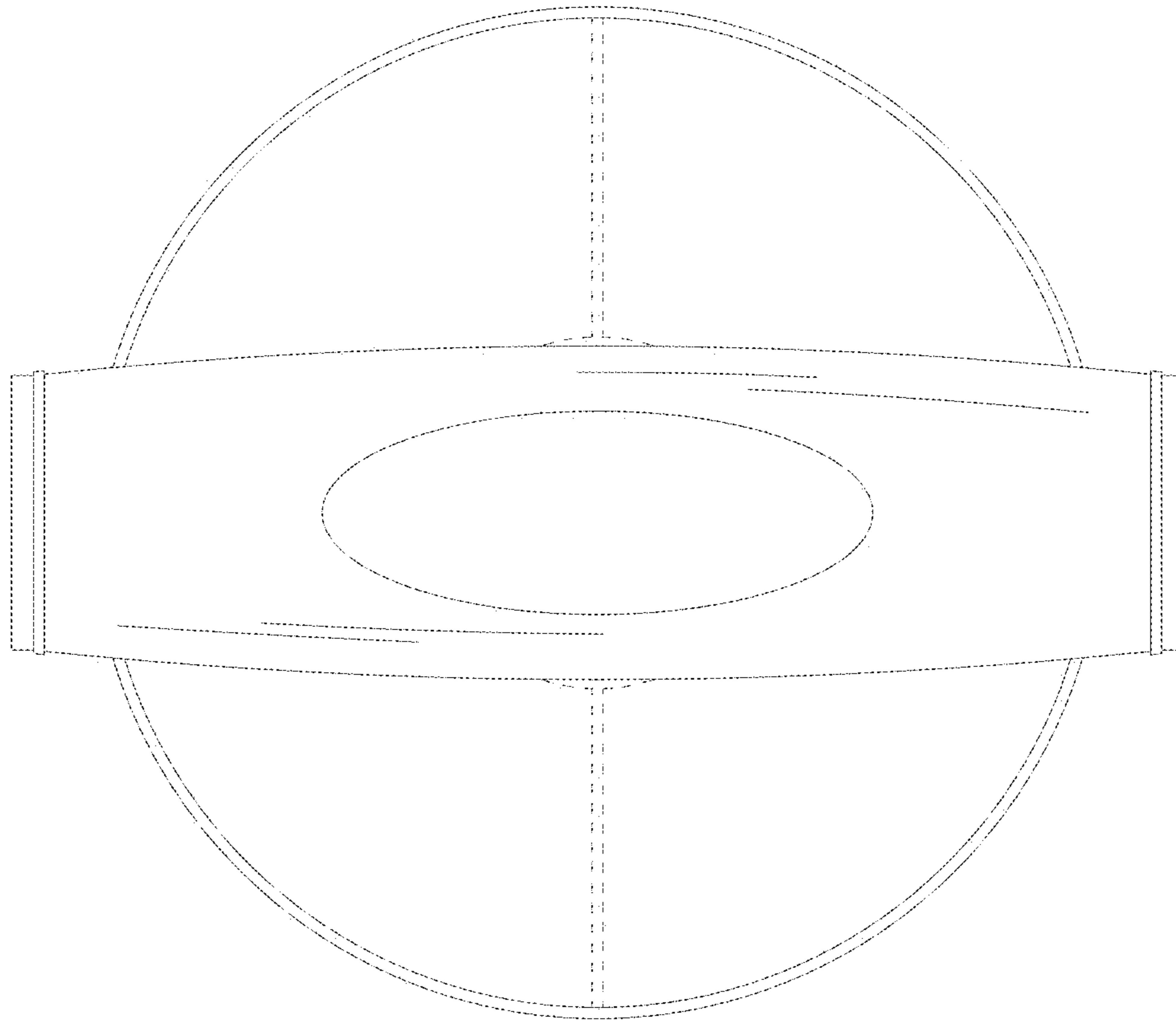


FIG.2

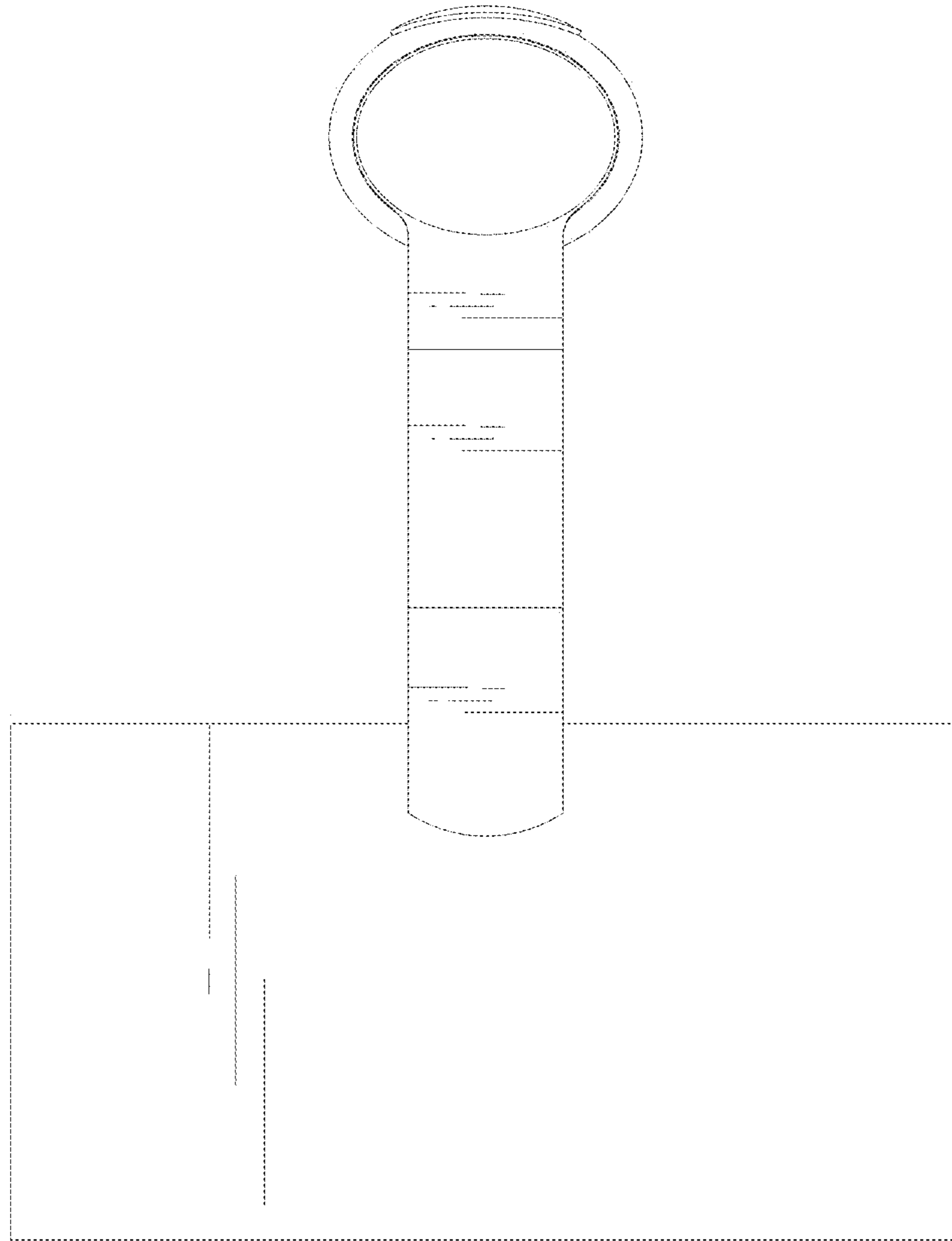


FIG. 3

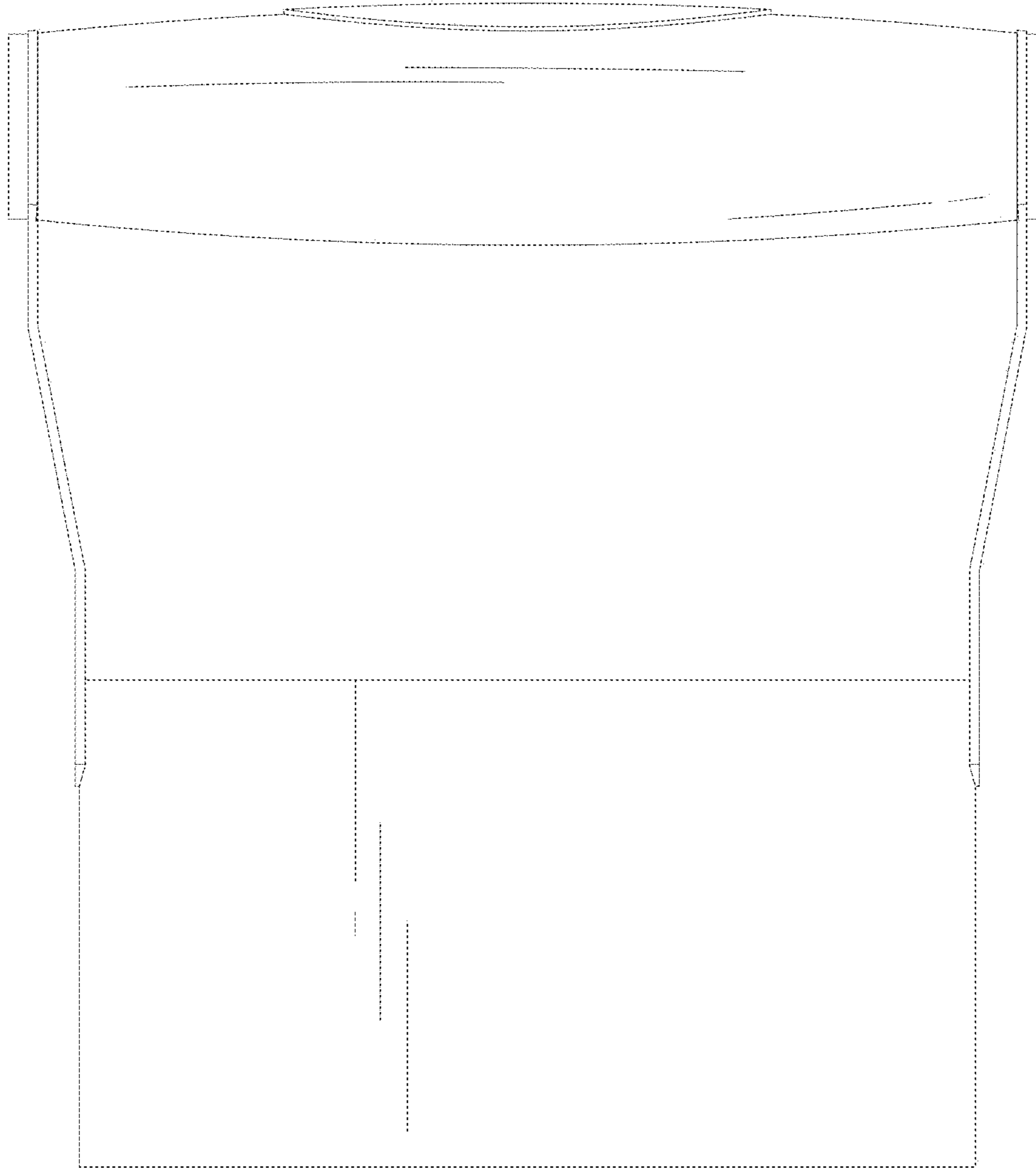


FIG. 4

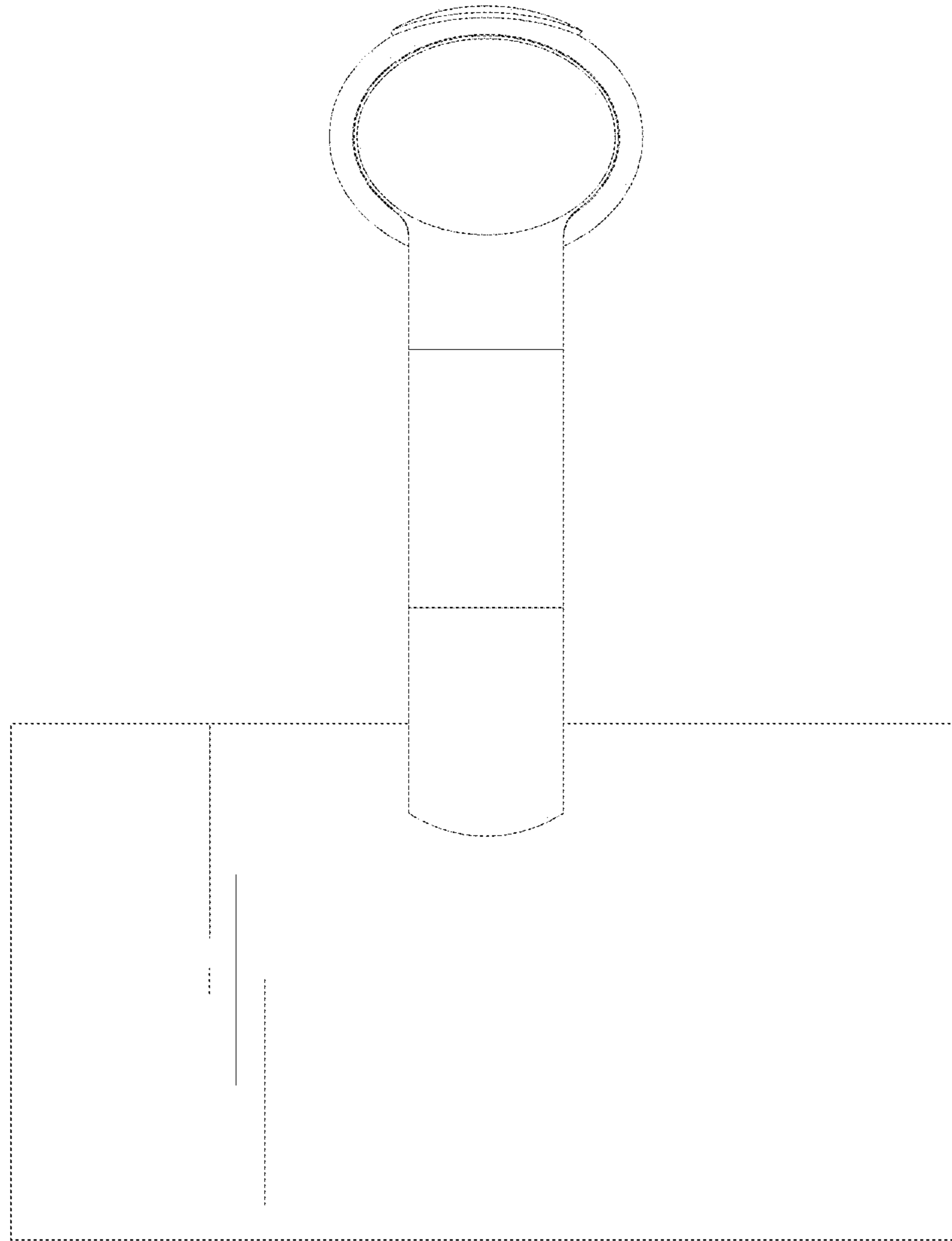


FIG.5

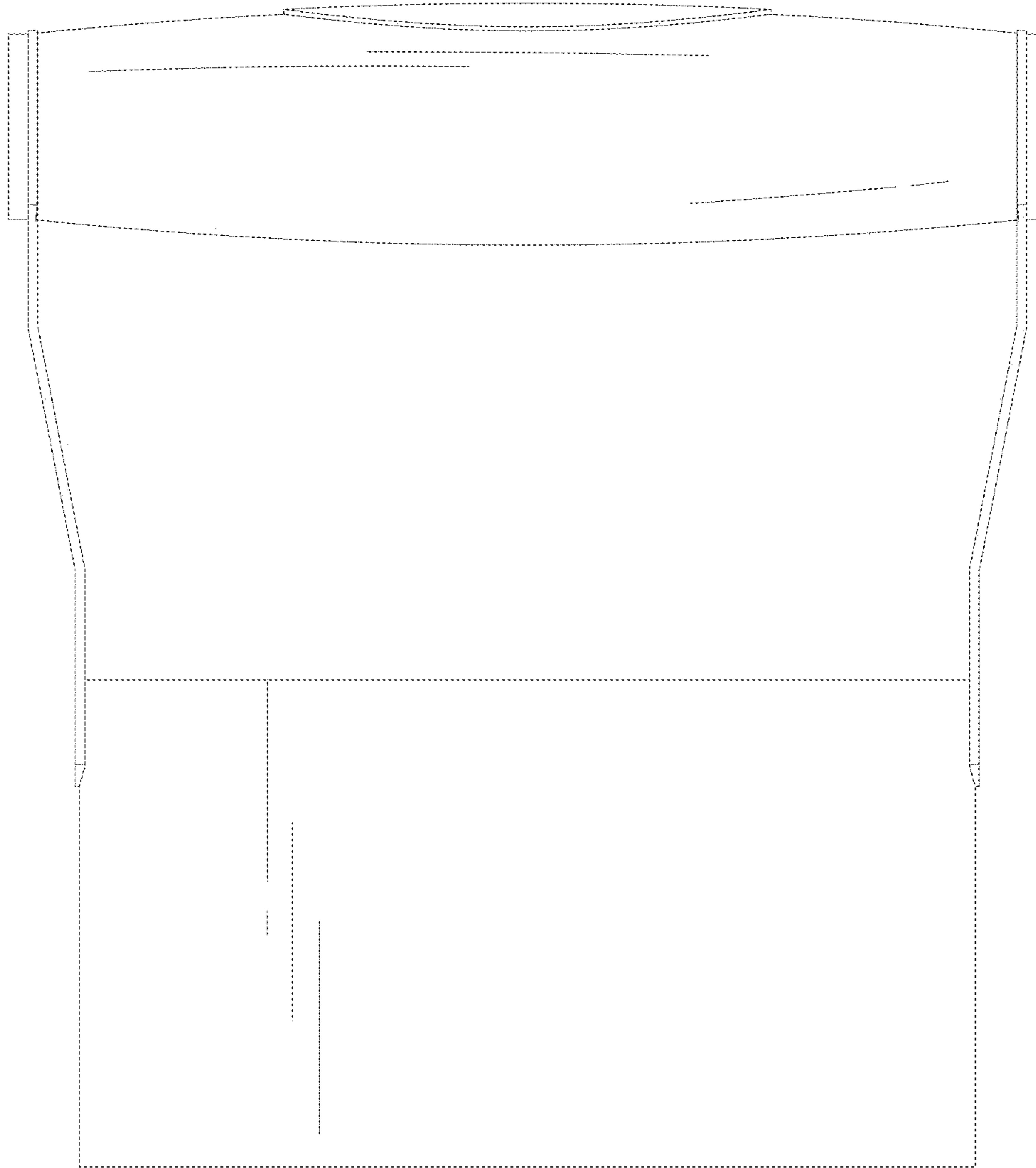


FIG.6

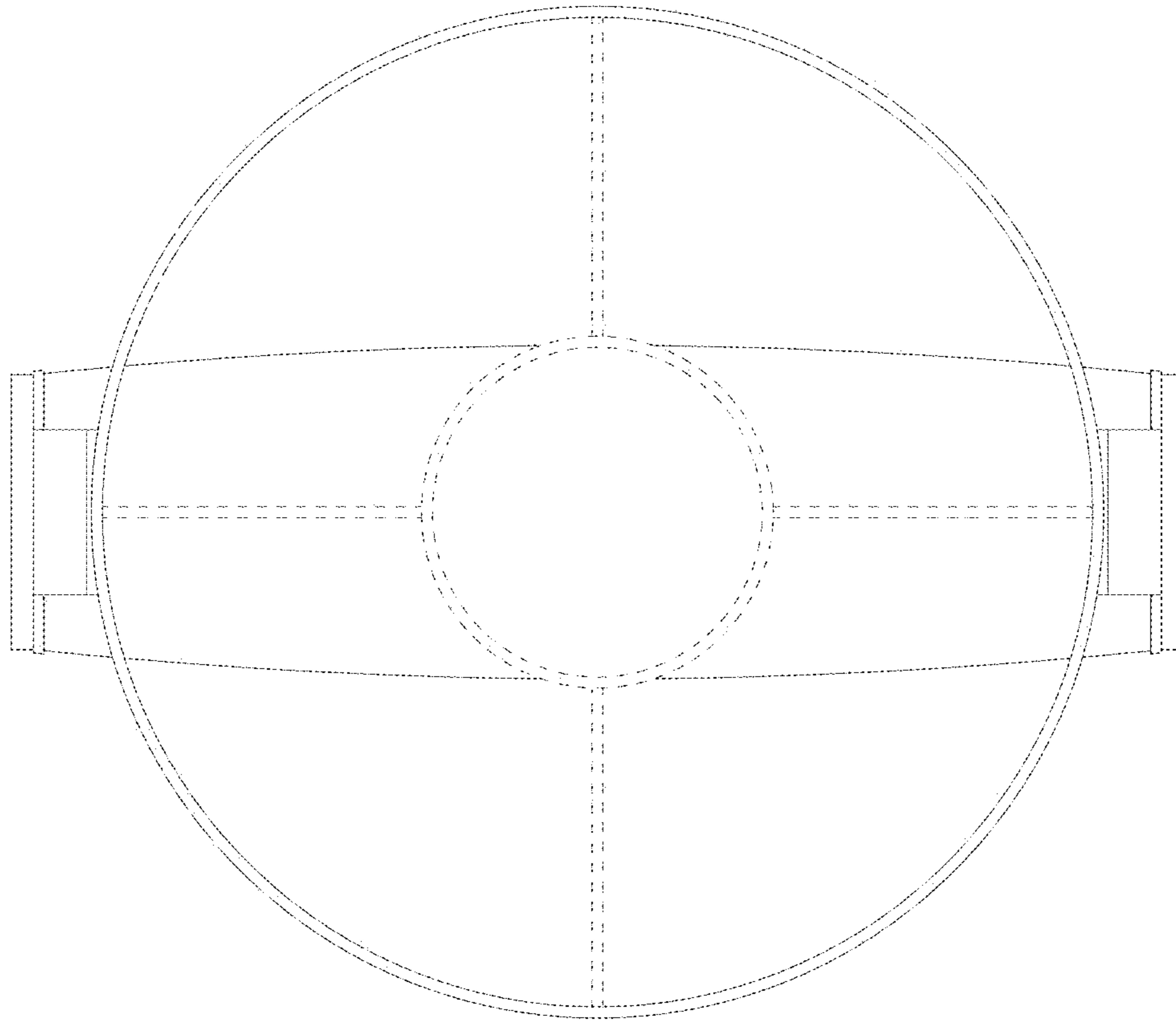


FIG.7