



US00D922154S

(12) **United States Design Patent** (10) **Patent No.:** **US D922,154 S**  
**Zou** (45) **Date of Patent:** **\*\* Jun. 15, 2021**

(54) **STORAGE CONTAINER**  
(71) Applicant: **Xiaomin Zou**, Fuzhou (CN)  
(72) Inventor: **Xiaomin Zou**, Fuzhou (CN)  
(\*\*) Term: **15 Years**  
(21) Appl. No.: **29/758,202**  
(22) Filed: **Nov. 12, 2020**  
(51) **LOC (13) Cl.** ..... **09-07**  
(52) **U.S. Cl.**  
USPC ..... **D7/629**  
(58) **Field of Classification Search**  
USPC ..... D7/590, 601, 602, 612, 619.1, 622, 629;  
D9/516, 518, 530  
CPC ..... A47G 19/027; B65D 1/40; B65D 1/42;  
B65D 1/44; B65D 39/00; B65D 39/0052;  
B65D 43/00; B65D 43/02; B65D 43/08  
See application file for complete search history.

D883,754 S \* 5/2020 Xu ..... D7/629  
D885,145 S \* 5/2020 Nie ..... D7/629  
D892,572 S \* 8/2020 Hartley ..... D7/629  
D906,059 S \* 12/2020 Liao ..... D7/629  
D913,044 S \* 3/2021 Samartgis ..... D7/602

**OTHER PUBLICATIONS**

Cereal Storage | posted at Amazon.com, posted on Jul. 26, © 1996-2021 Amazon.com, [online], [site visited Jun. 5, 2020]. Available from Internet, <URL: <https://www.amazon.com/ME-FAN-Cereal-Storage-Containers-Airtight/dp/B07STV8TV2/>> (Year: 2019).\*

\* cited by examiner

*Primary Examiner* — Susan E Krakower  
*Assistant Examiner* — Andrew Kerr

(57) **CLAIM**

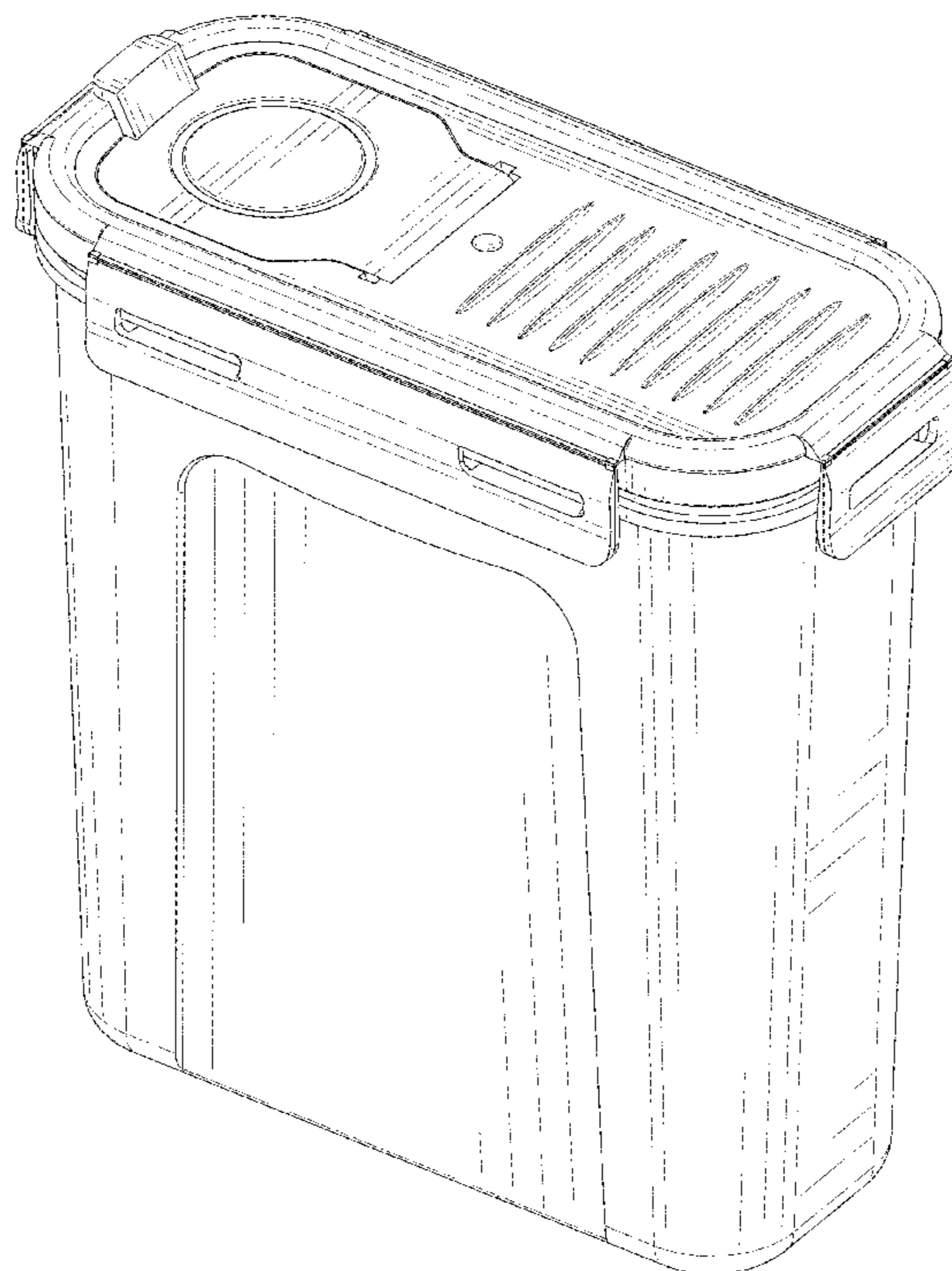
The ornamental design for a storage container, as shown and described.

**DESCRIPTION**

FIG. 1 is a front and top perspective view of a storage container, showing my new design;  
FIG. 2 is a rear and bottom perspective view thereof;  
FIG. 3 is a front elevational view thereof;  
FIG. 4 is a rear elevational view thereof;  
FIG. 5 is a left side elevational view thereof;  
FIG. 6 is a right side elevational view thereof;  
FIG. 7 is a top plan view thereof; and,  
FIG. 8 is a bottom plan view thereof.  
The broken lines in the figures illustrate portions of the article that form no part of the claimed design.

**1 Claim, 8 Drawing Sheets**

(56) **References Cited**  
**U.S. PATENT DOCUMENTS**  
D511,655 S \* 11/2005 Kim ..... D7/612  
D554,301 S \* 10/2007 Fick ..... D3/294  
D655,577 S \* 3/2012 Samartgis ..... D7/602  
D674,249 S \* 1/2013 Duvigneau ..... D7/629  
D736,570 S \* 8/2015 Sykes ..... D7/629  
D748,440 S \* 2/2016 Stamper ..... D7/629  
D767,346 S \* 9/2016 Mussio ..... D7/629  
D817,113 S \* 5/2018 Wong ..... D7/629  
D818,712 S \* 5/2018 Fleming et al.  
D830,790 S \* 10/2018 Lee ..... D7/629  
D880,957 S \* 4/2020 Xu ..... D7/629  
D880,958 S \* 4/2020 Dai ..... D7/629



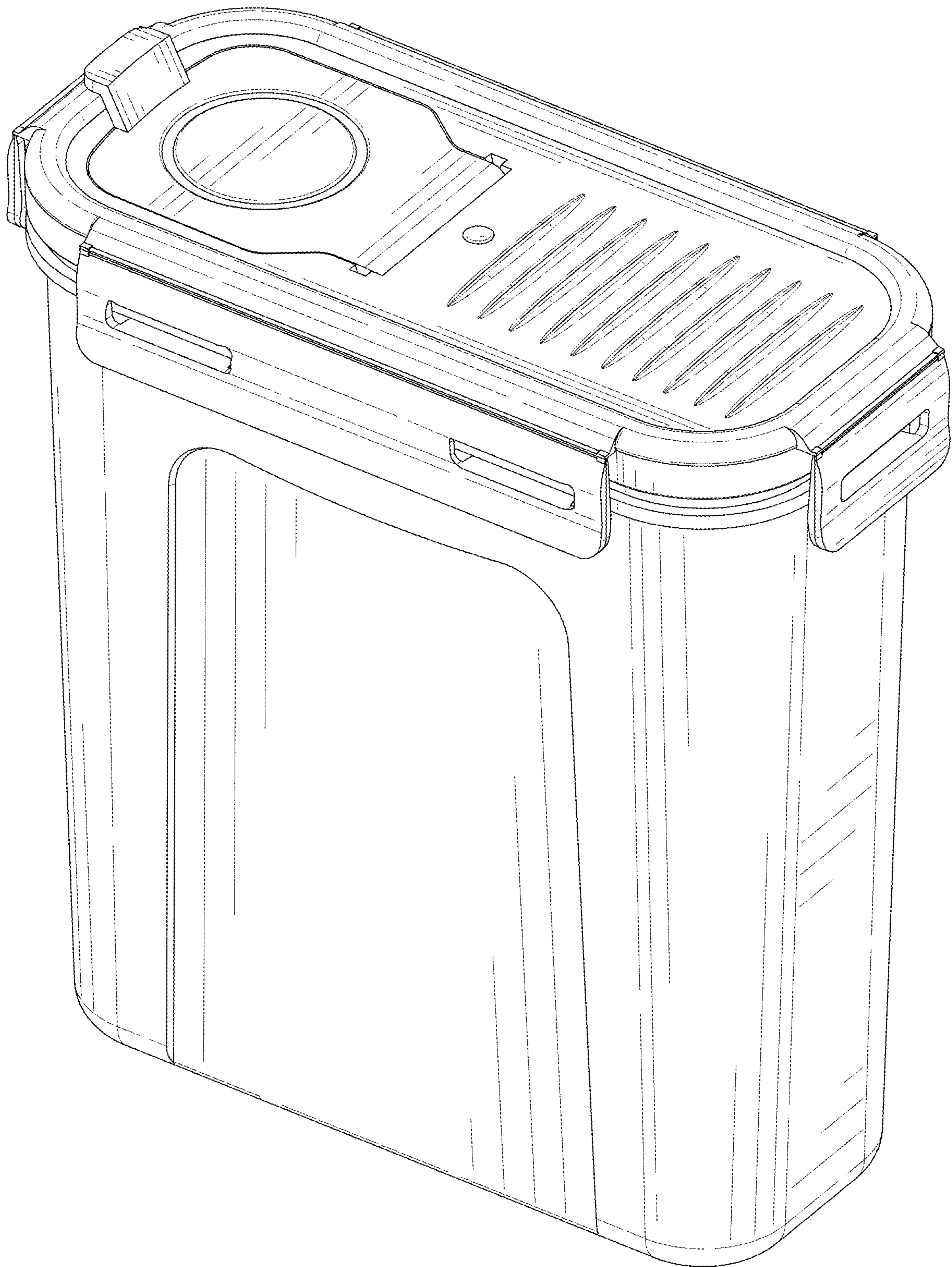


FIG. 1

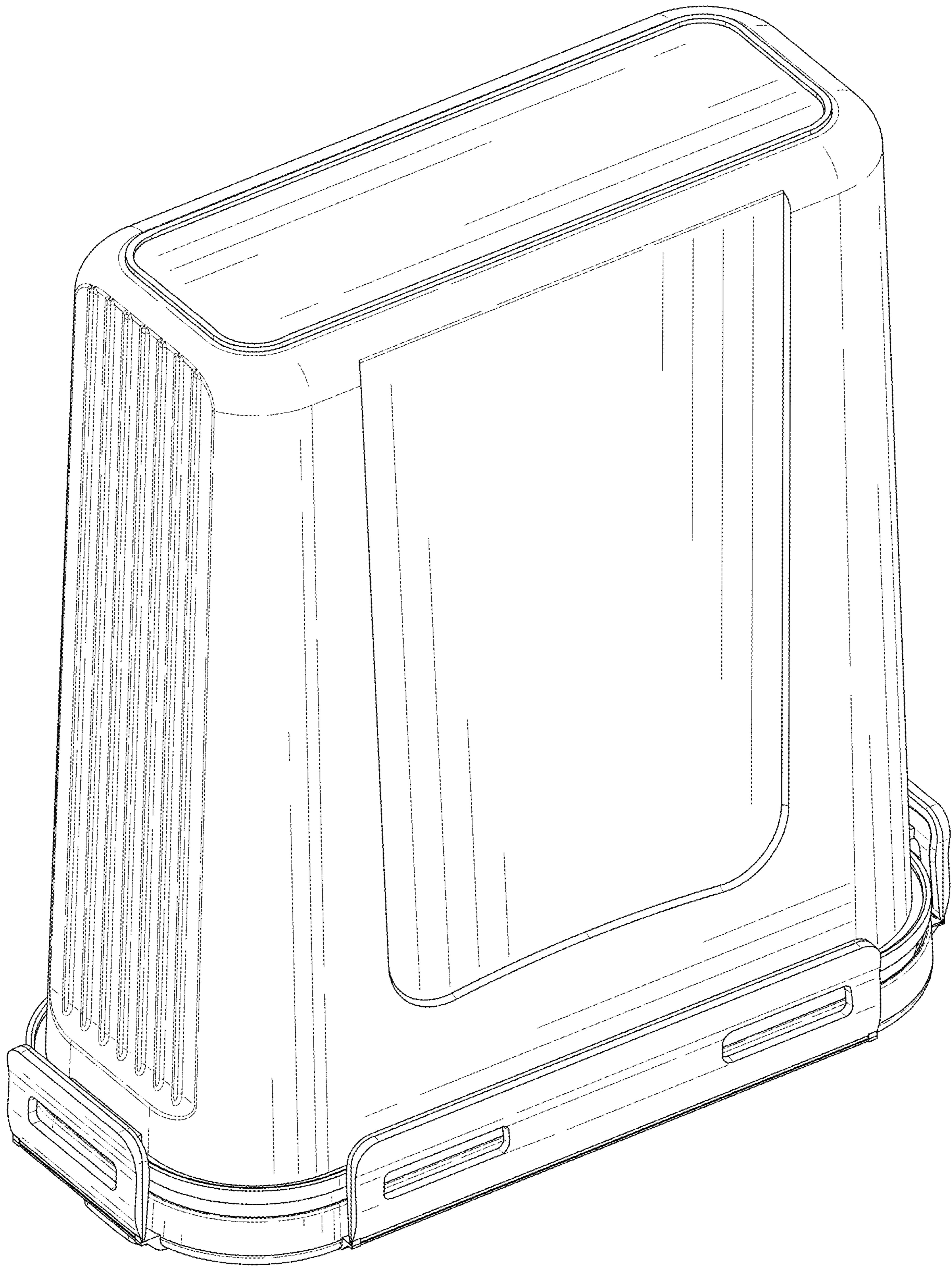


FIG. 2

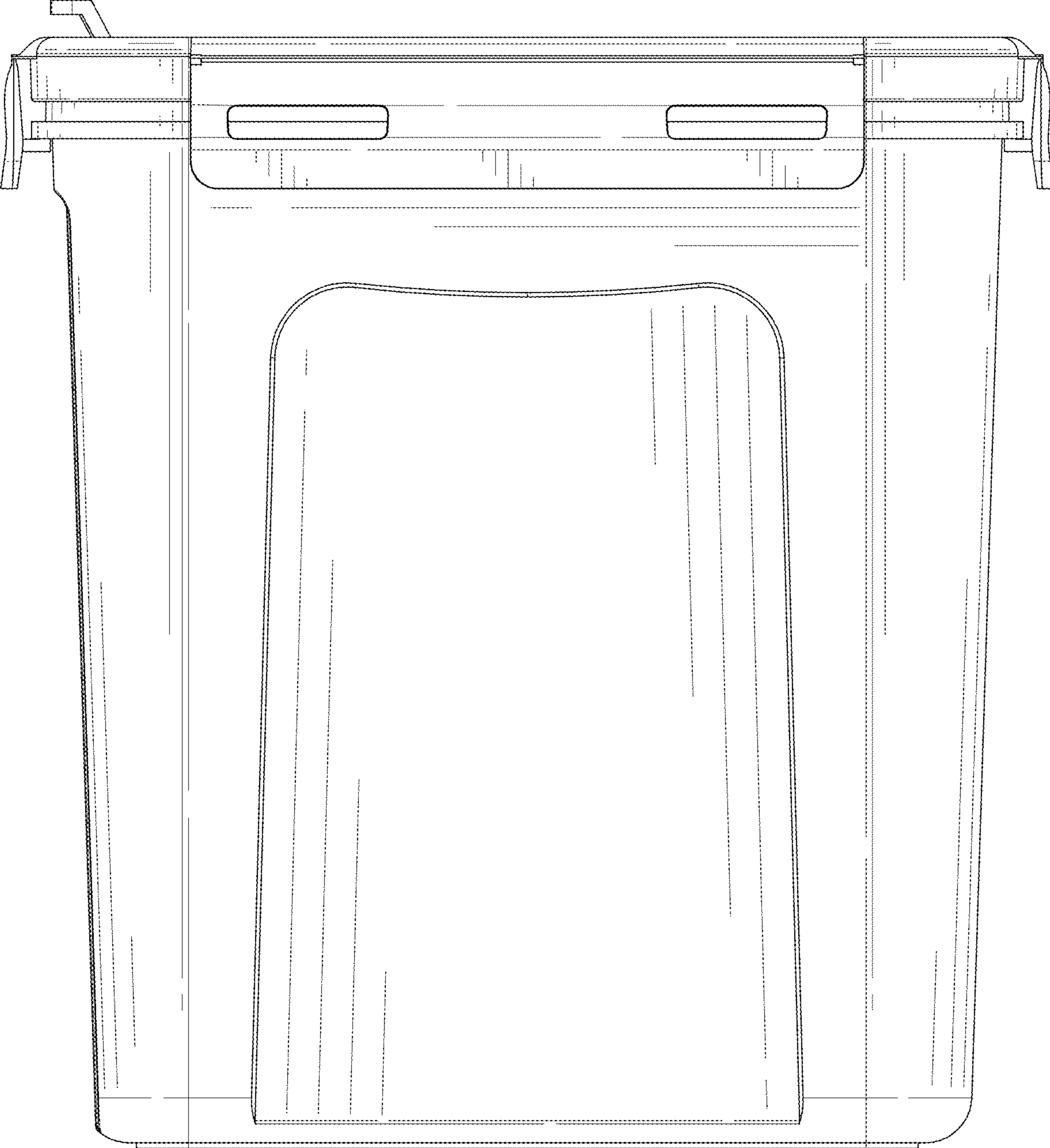


FIG. 3

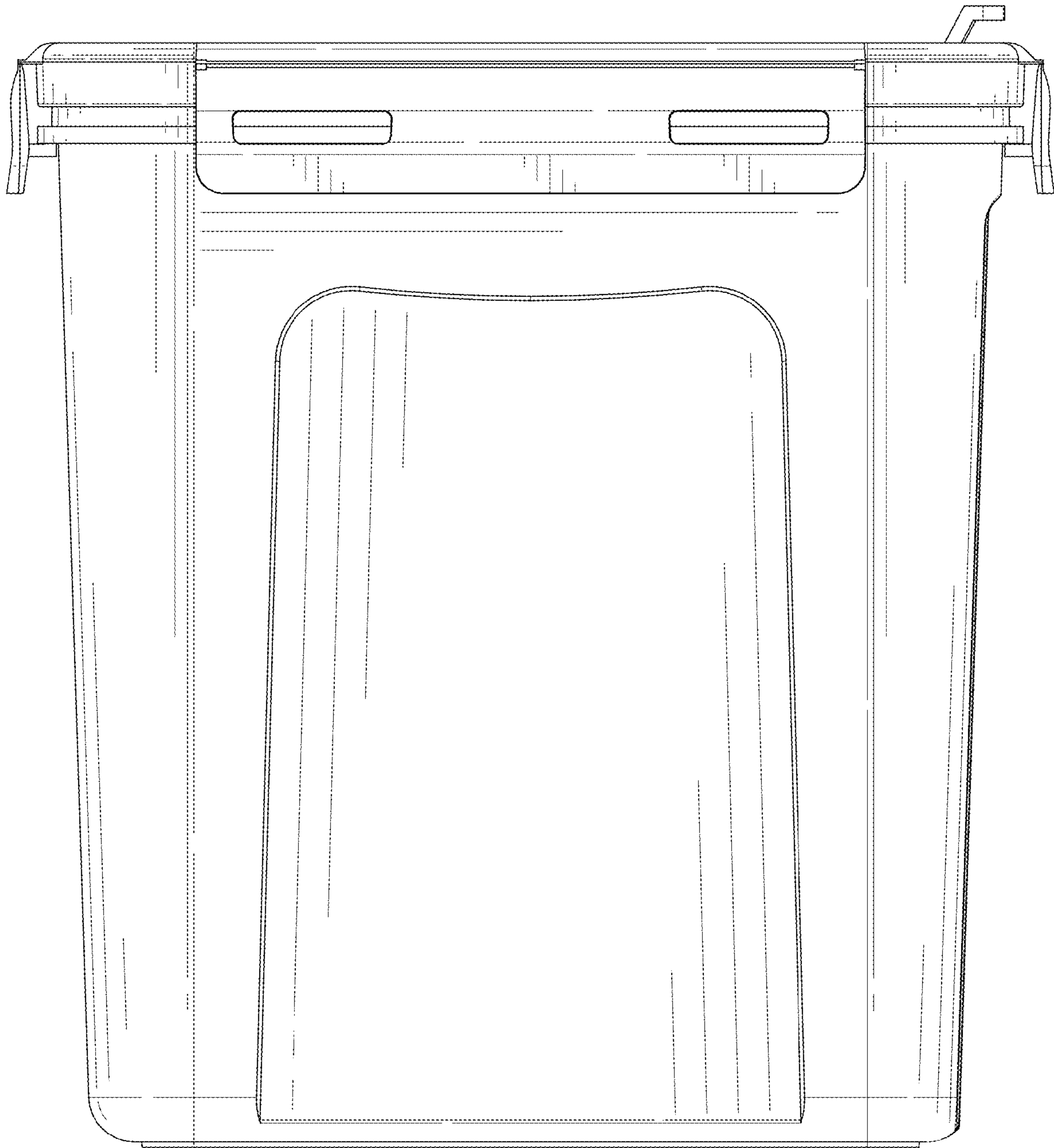


FIG. 4

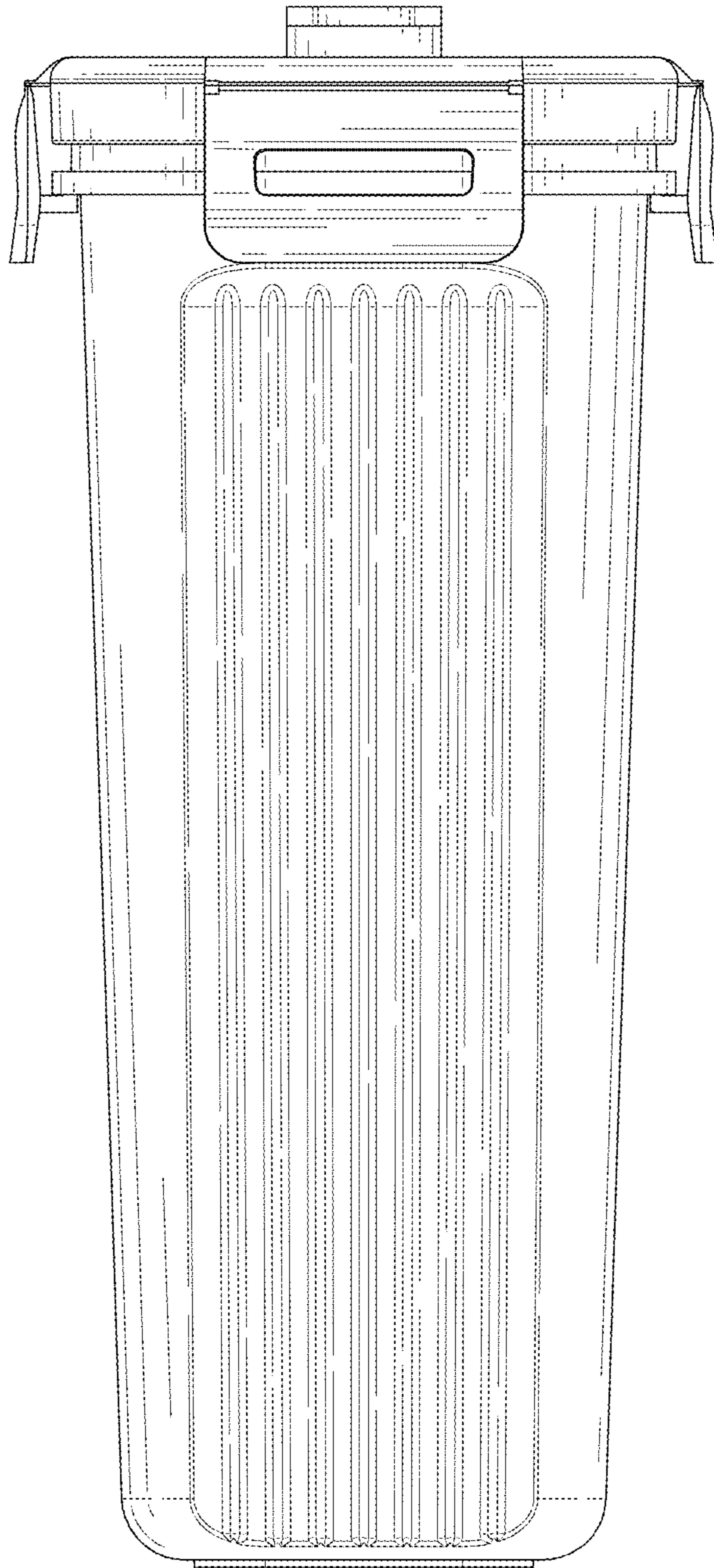


FIG. 5

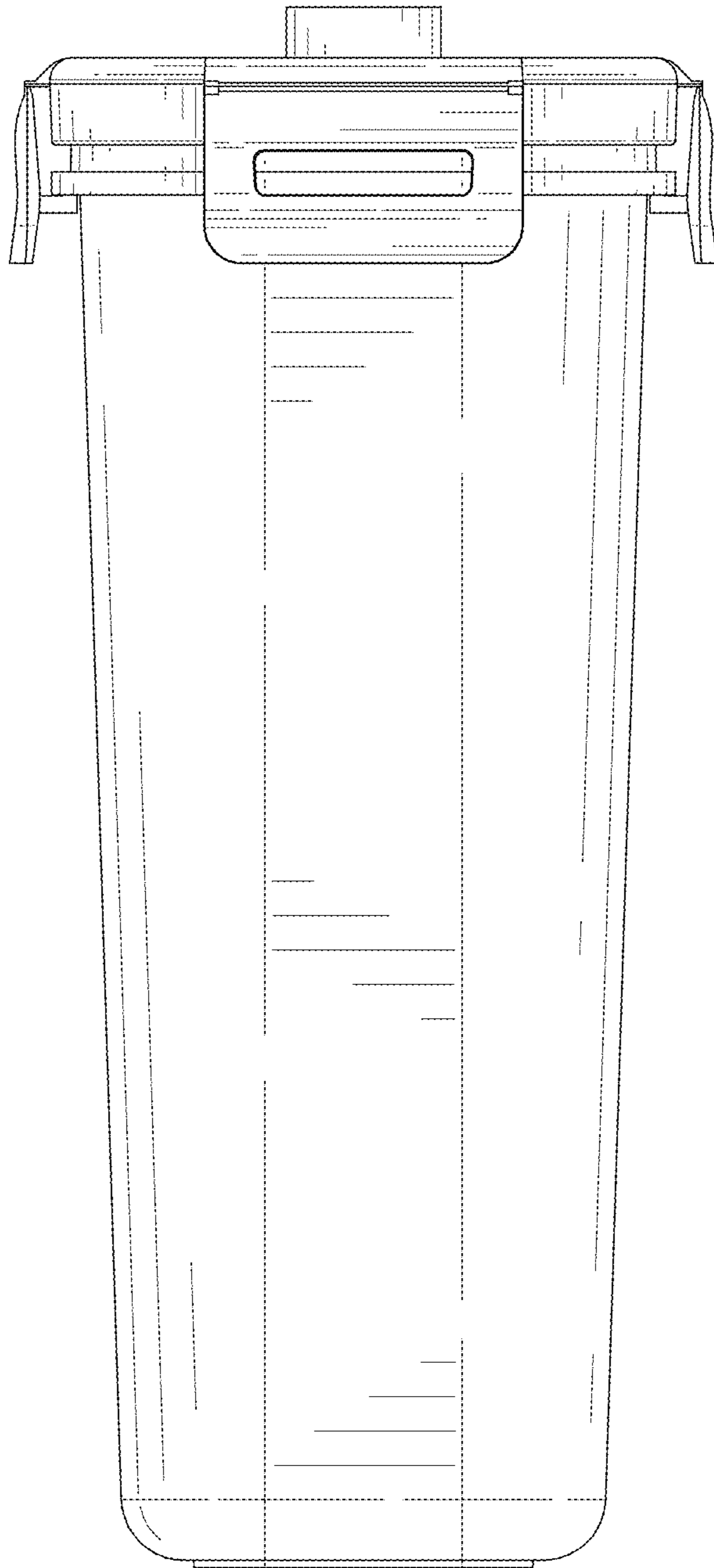


FIG. 6

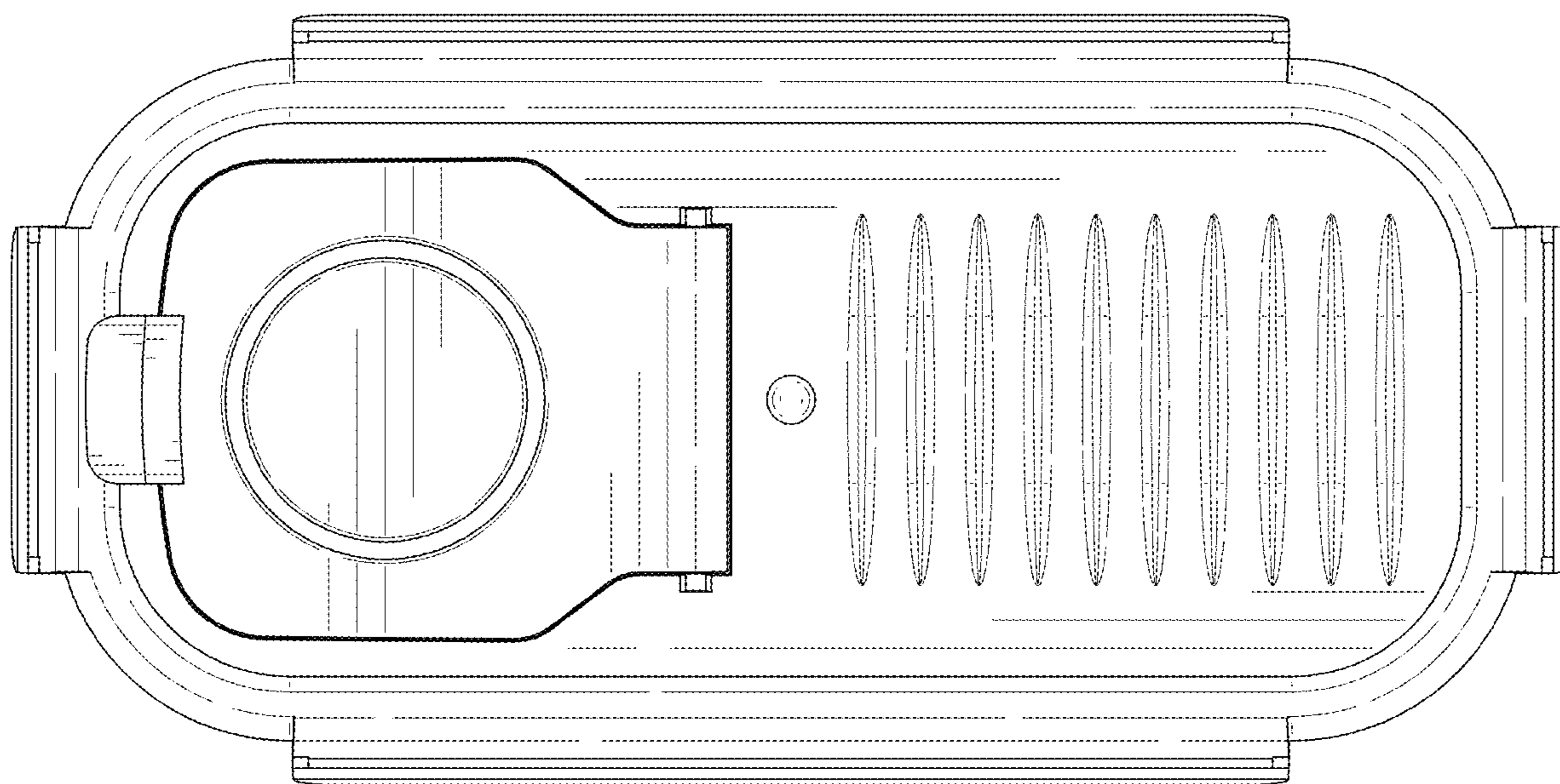


FIG. 7



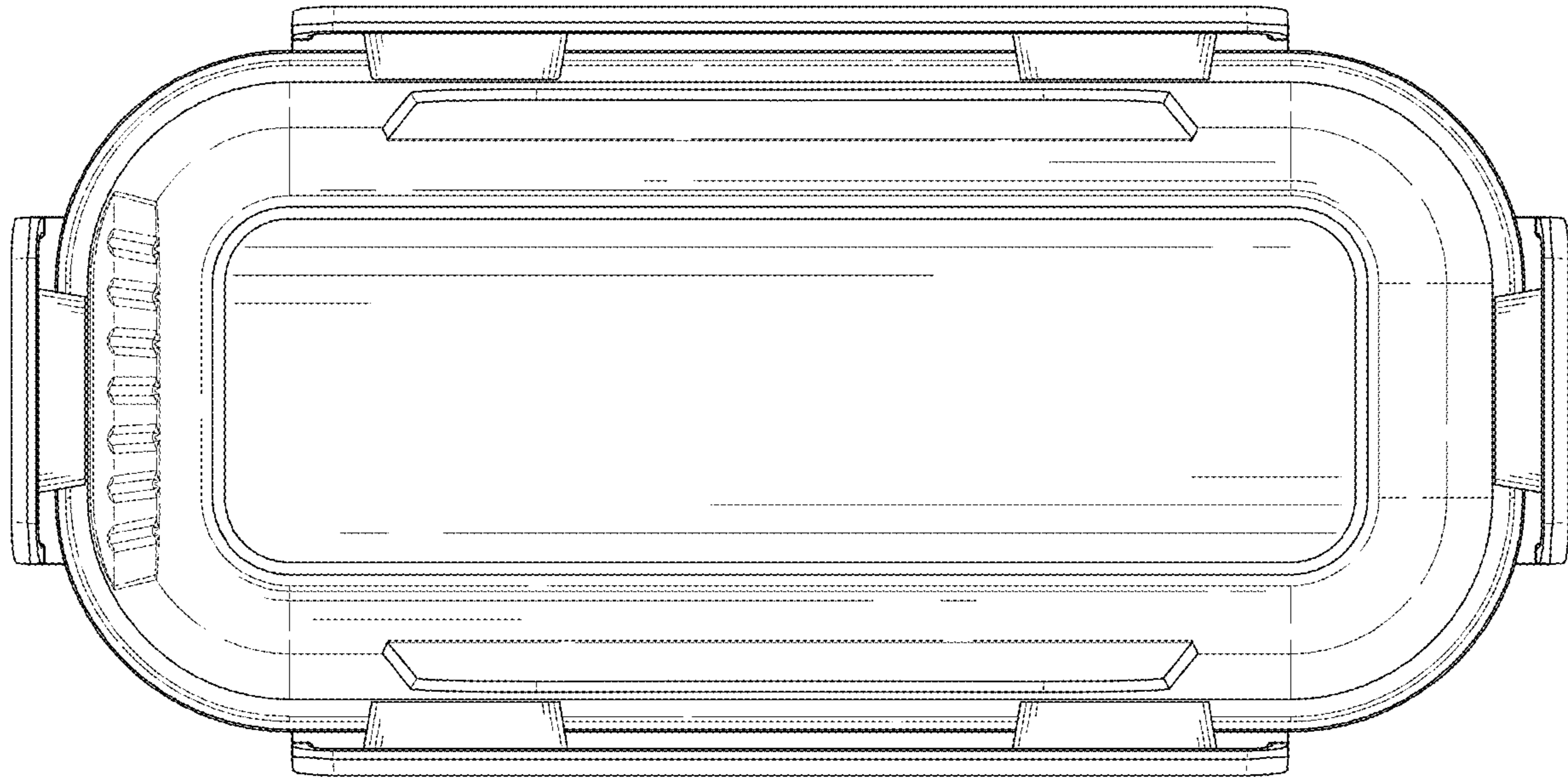


FIG. 8