



US00D922148S

(12) **United States Design Patent** (10) **Patent No.:** **US D922,148 S**
Yang et al. (45) **Date of Patent:** **** Jun. 15, 2021**

(54) **COOLER**

(71) Applicant: **Haijun Yang**, Fujian (CN)
 (72) Inventors: **Haijun Yang**, Fujian (CN); **Kongjun Yang**, Fujian (CN)

(**) Term: **15 Years**

(21) Appl. No.: **29/705,427**

(22) Filed: **Sep. 12, 2019**

(51) **LOC (13) Cl.** **07-01**

(52) **U.S. Cl.**
 USPC **D7/605**

(58) **Field of Classification Search**
 USPC D7/603–608; D3/272–274, 279; D15/79, D15/81; D34/24
 CPC .. A45C 11/20; A45C 9/00; A45C 5/14; A45C 5/03; A45C 3/00; A45C 2003/008; F25D 3/14; F25D 3/08; F25D 3/12; F25D 3/02; F25D 3/04; F25D 3/06; F25D 3/107; F25D 2400/08; F25D 2400/38; F25D 2400/00; F25D 31/005; B65D 81/3813; B65D 81/3823; B65D 81/3888; B65D 81/3889; B65D 81/3816; B65D 81/3858; B65D 81/38; B65D 81/3818; B65D 81/382; B65D 81/3825; B65D 81/3827; B65D 81/383; B65D 81/3832; B65D 81/3834; B65D 81/3848; B65D 81/3851; B65D 81/3853; B65D 81/3855; B65D 81/386; B65D 81/3862; F24D 2331/804; F24D 2331/801; A47J 41/022; F25B 19/00; A47G 19/2288; B62B 1/18; B62B 1/26

See application file for complete search history.

(56) **References Cited**

U.S. PATENT DOCUMENTS

5,683,097 A * 11/1997 Fenton A45C 5/14
 280/47.26
 6,047,976 A * 4/2000 Wang A45C 5/03
 280/37
 D528,368 S * 9/2006 Maldonado D7/605
 D674,245 S * 1/2013 Williams, Jr. D7/605
 D807,707 S * 1/2018 Grepper D7/605
 10,272,934 B2 * 4/2019 DeFrancia B62B 1/12
 2005/0127081 A1 * 6/2005 Leba F25D 3/08
 220/761
 2007/0075508 A1 * 4/2007 Miller B62D 63/064
 280/47.26
 2015/0338159 A1 * 11/2015 Watson F25D 3/06
 220/592.03
 2018/0127007 A1 * 5/2018 Kravchenko B62B 1/26

* cited by examiner

Primary Examiner — Terry A Wallace

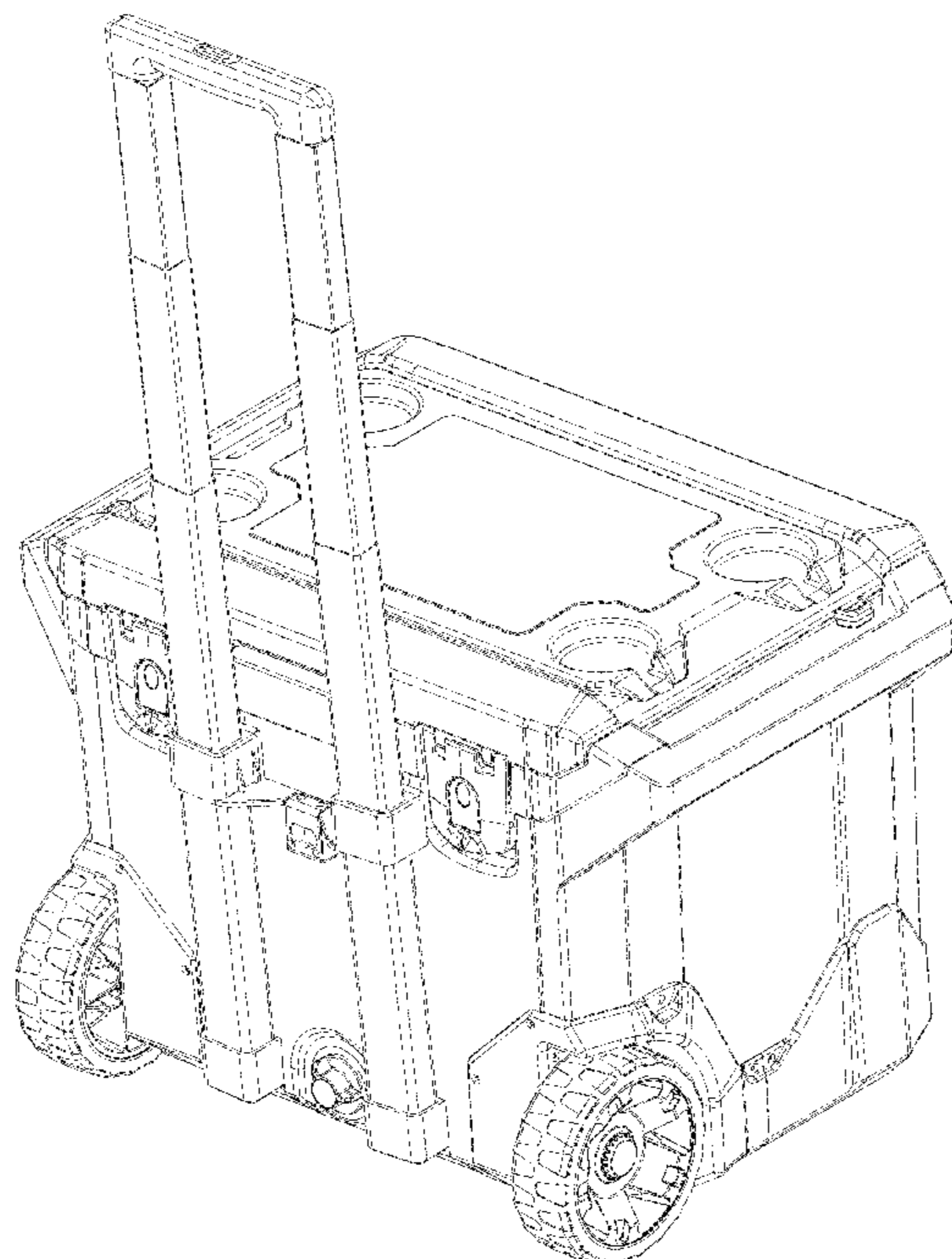
(57) **CLAIM**

The ornamental design for a cooler, as shown and described.

DESCRIPTION

FIG. 1 is a front elevational view of a cooler showing our new design;
 FIG. 2 is a rear elevational view thereof;
 FIG. 3 is a left side view thereof;
 FIG. 4 is a right side view thereof;
 FIG. 5 is a top plan view thereof;
 FIG. 6 is a bottom plan view thereof;
 FIG. 7 is a perspective view thereof;
 FIG. 8 is another perspective view thereof; and,
 FIG. 9 is a perspective view in state of use.

1 Claim, 9 Drawing Sheets



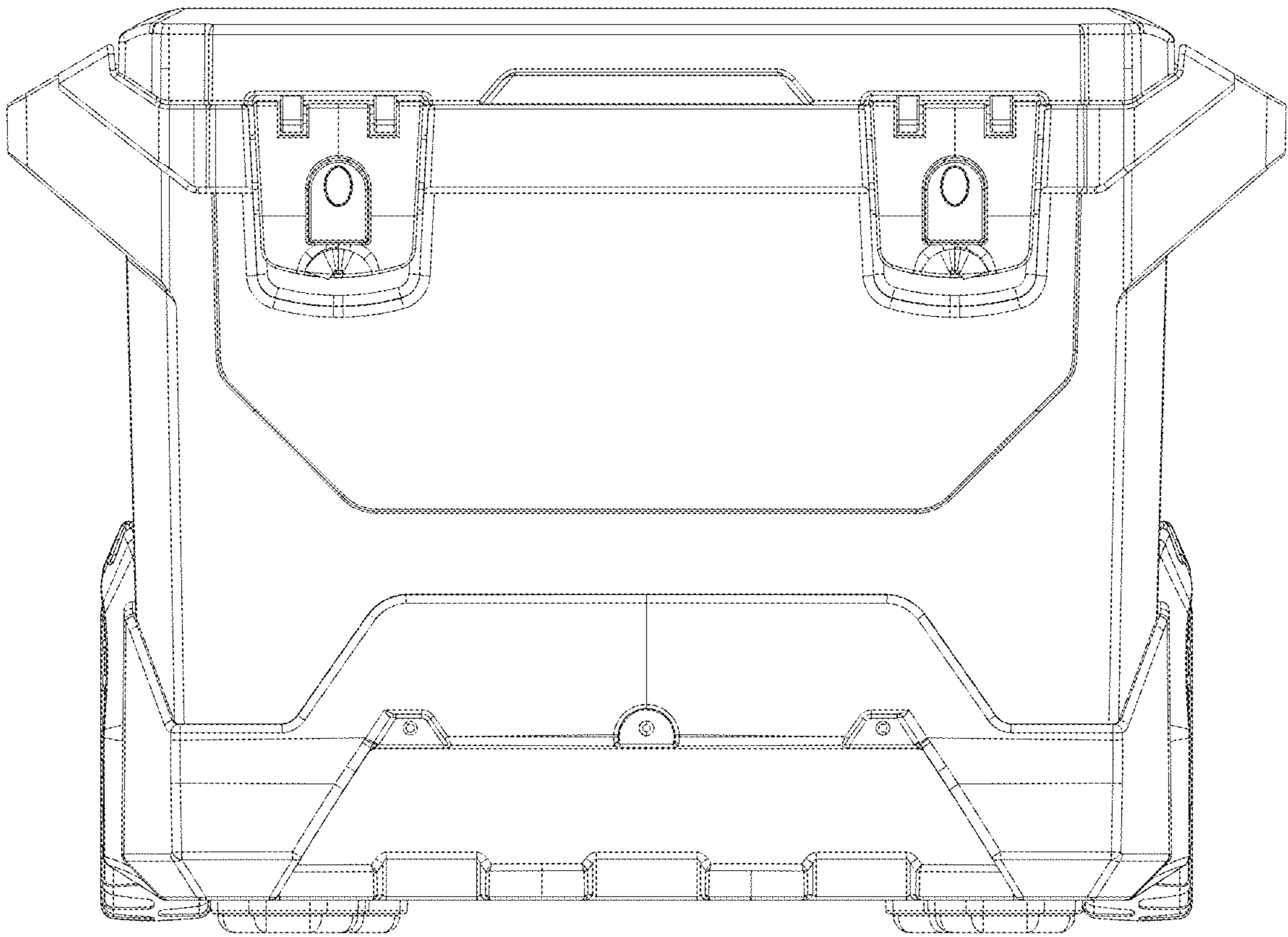


Fig. 1

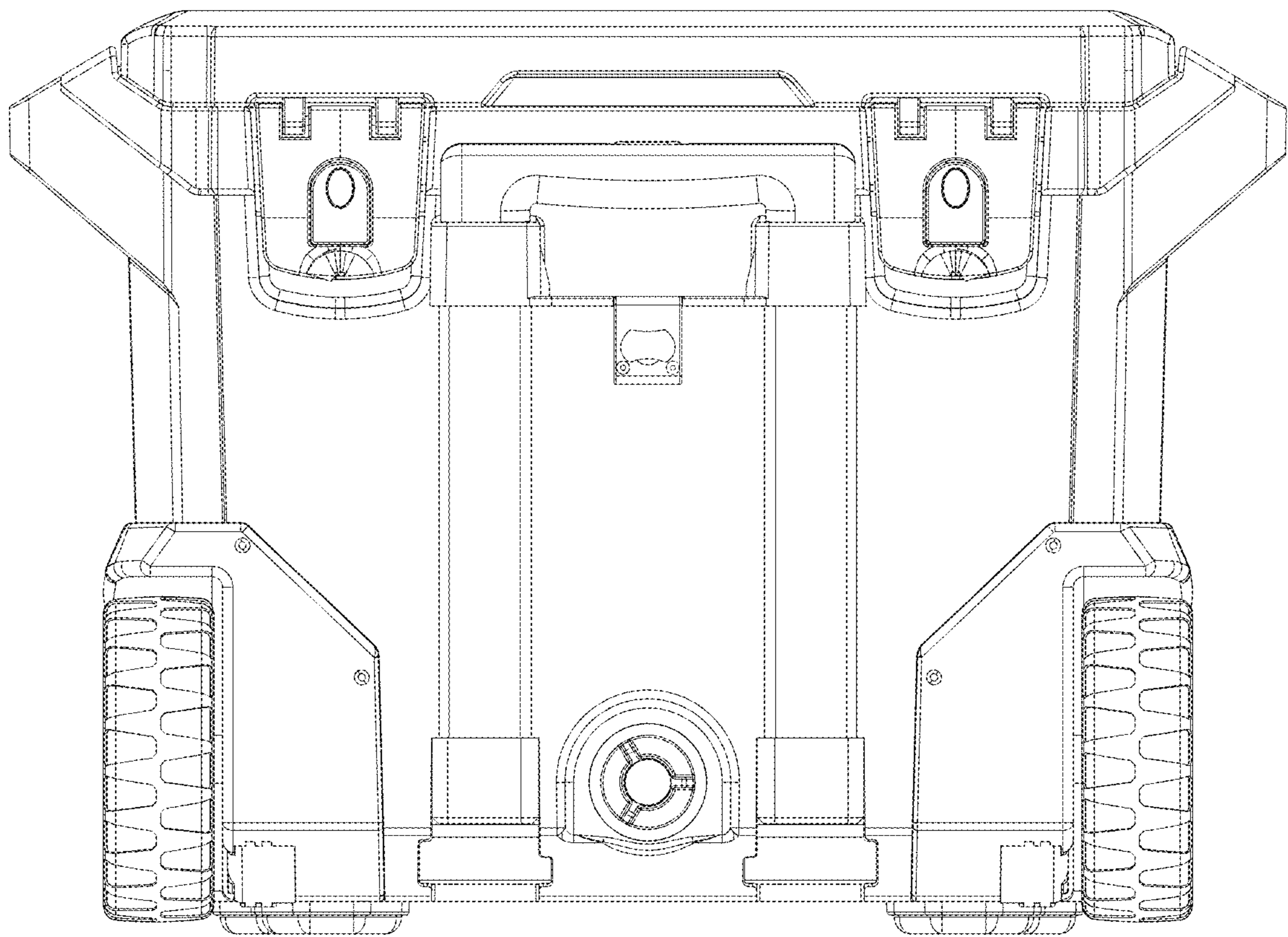


Fig. 2

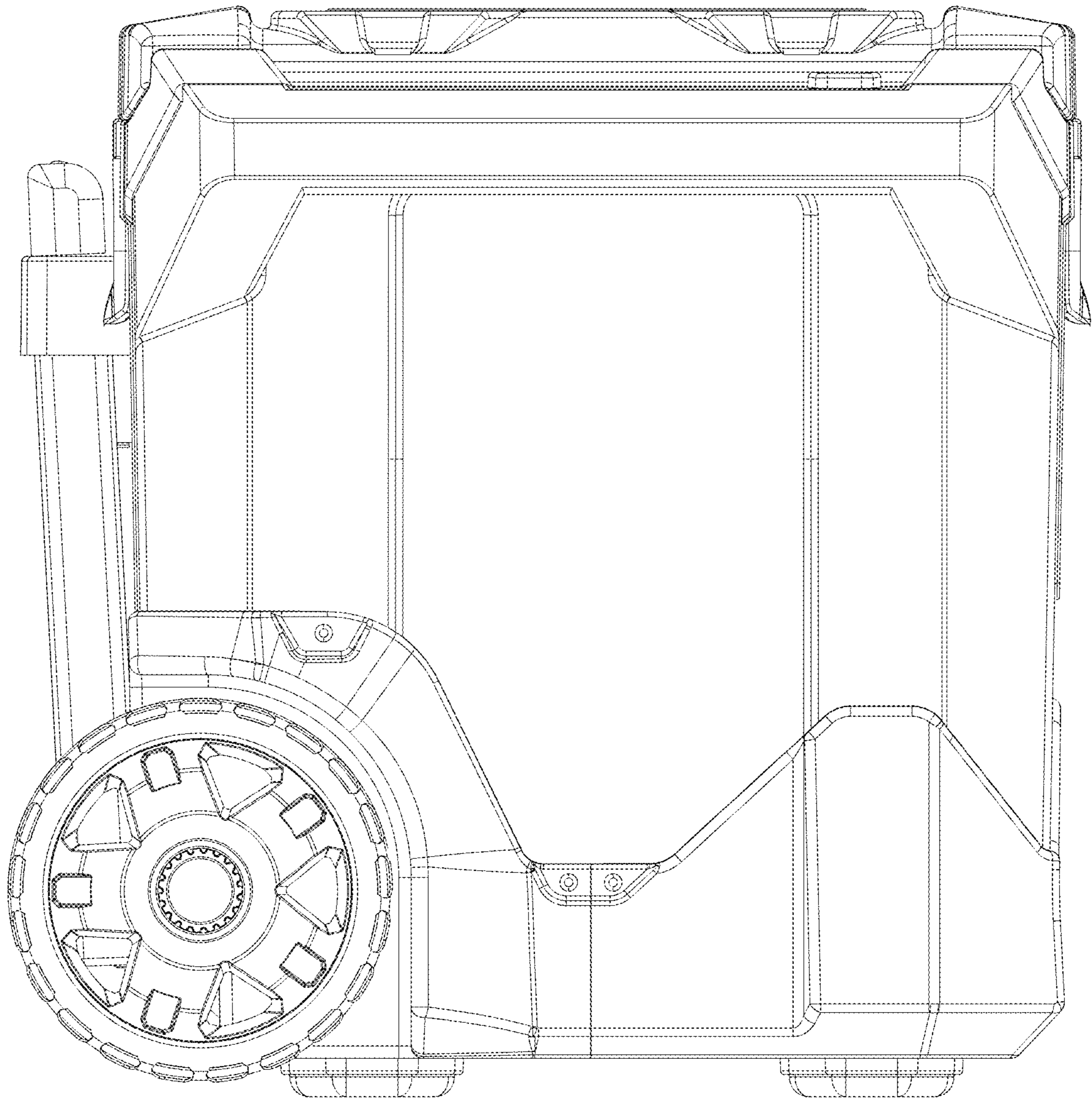


Fig. 3

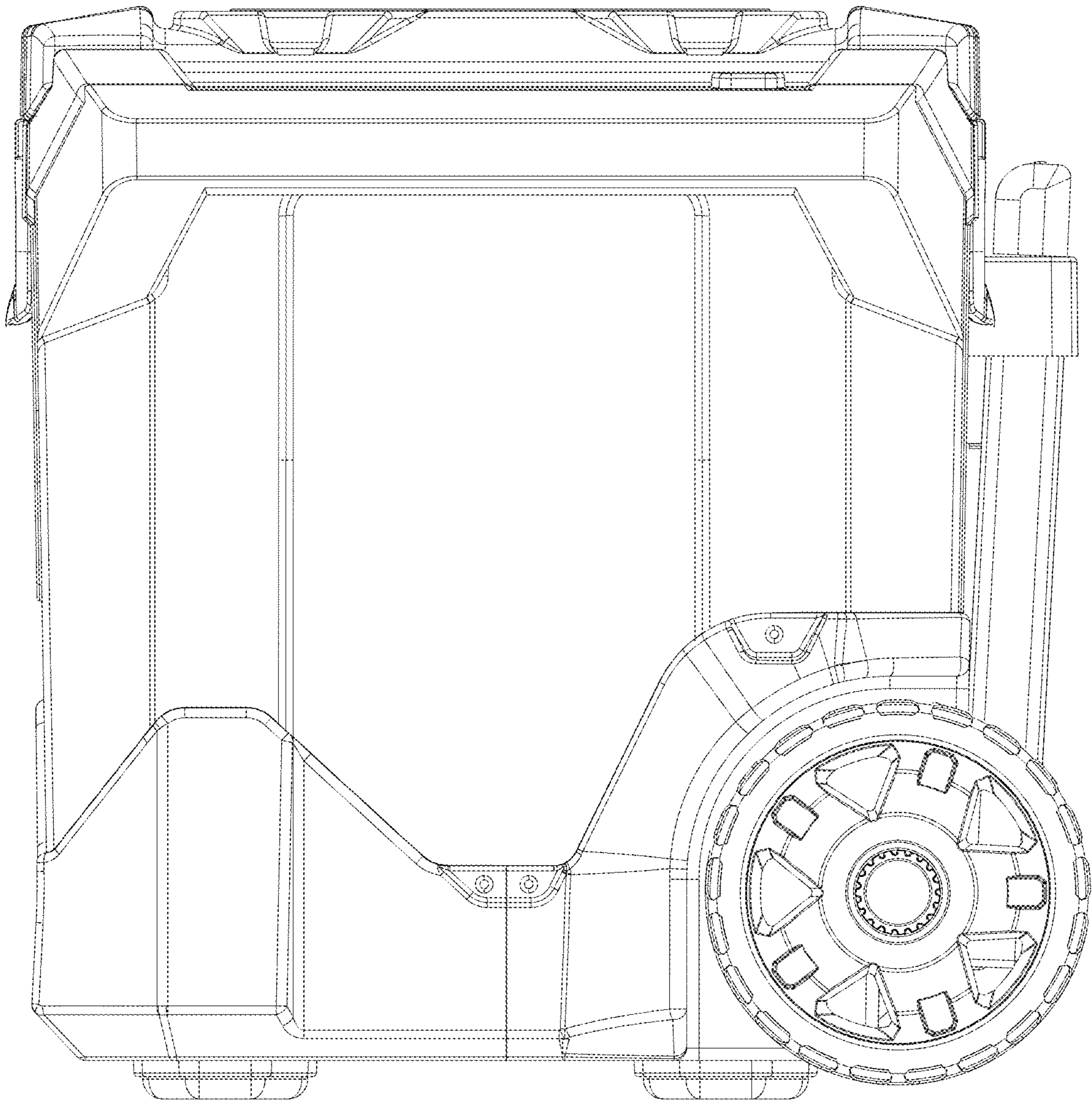


Fig. 4

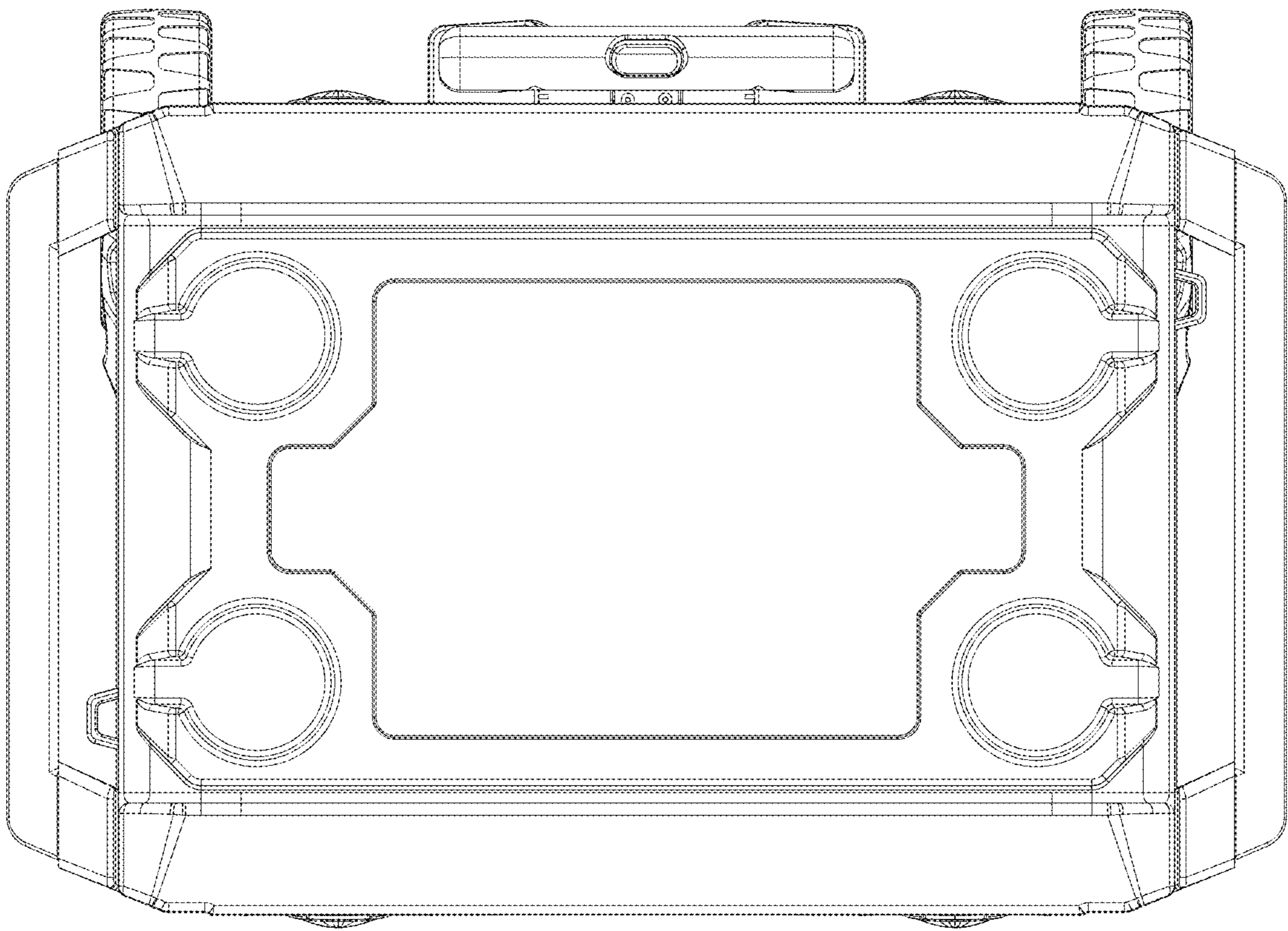


Fig. 5

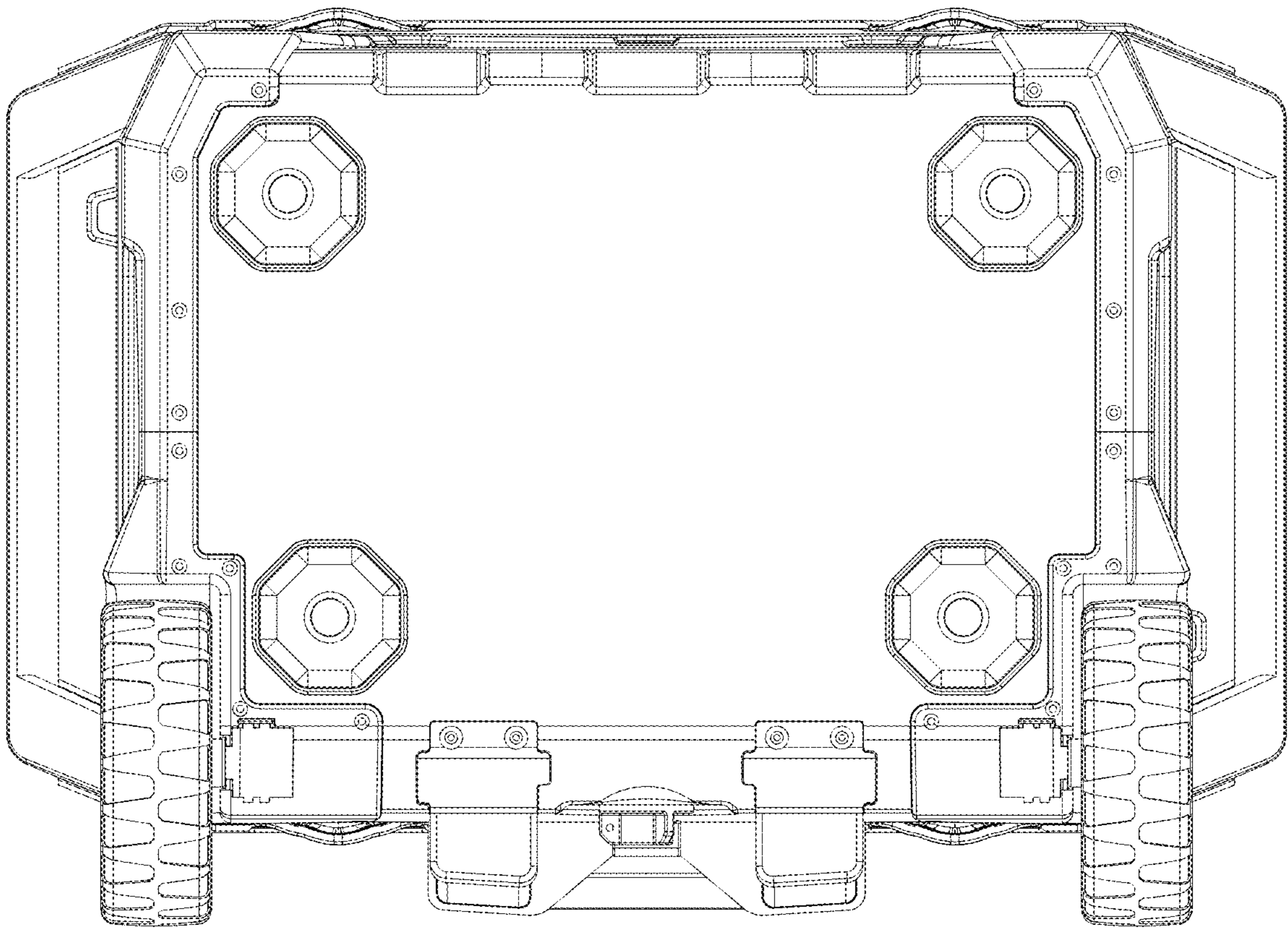


Fig. 6

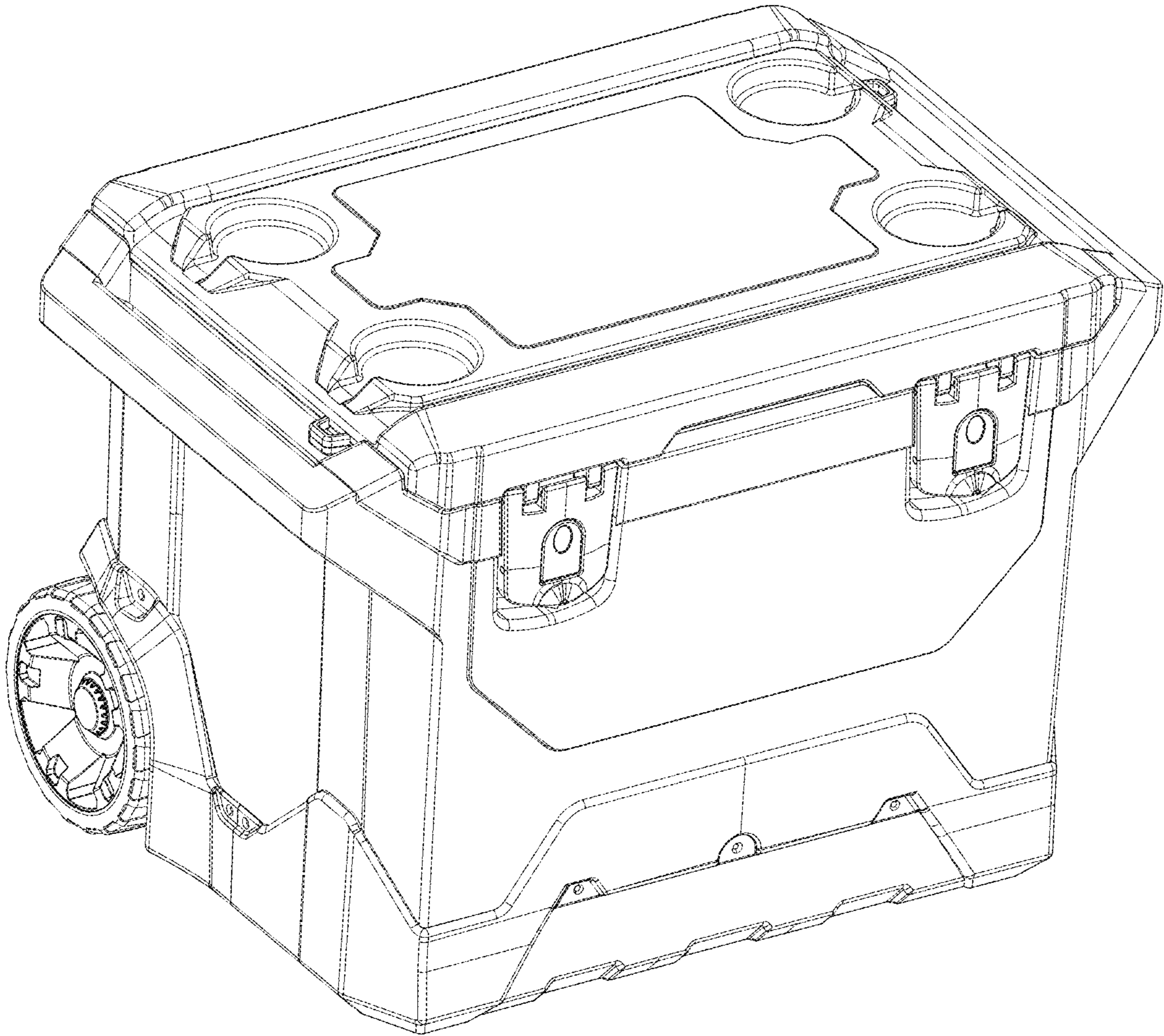


Fig. 7

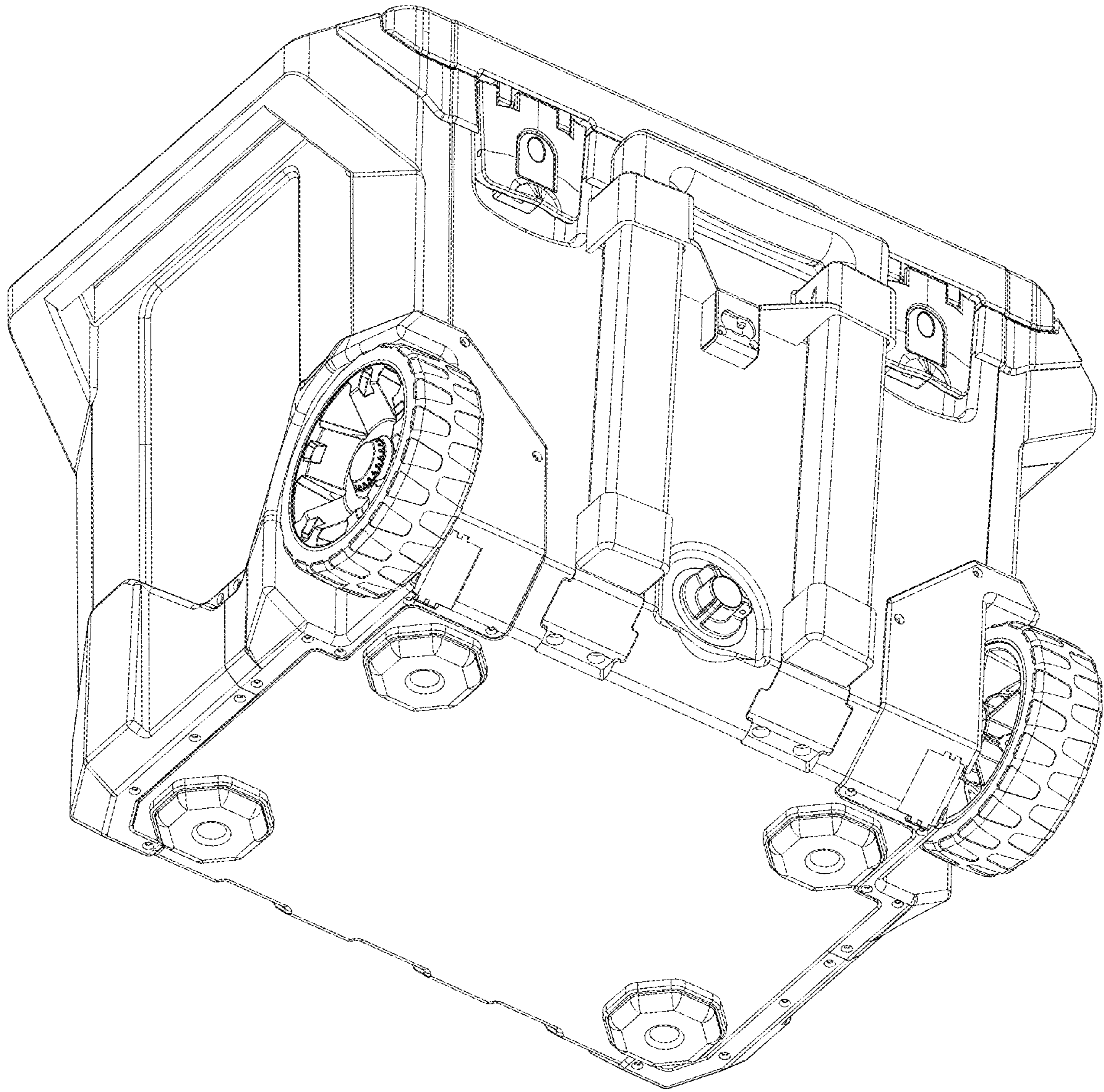


Fig. 8

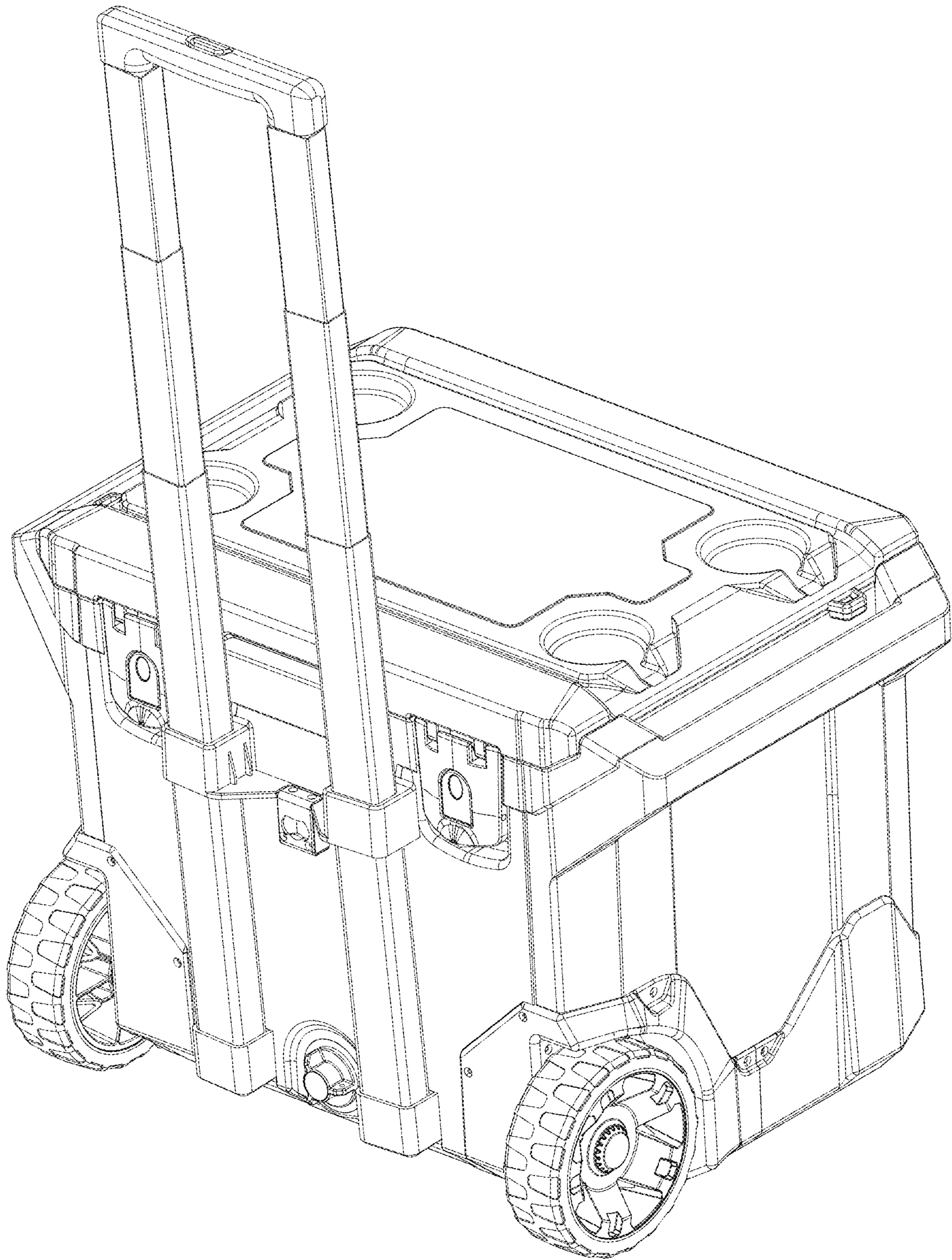


Fig. 9