



US00D922147S

(12) **United States Design Patent**
Joseph

(10) **Patent No.:** **US D922,147 S**

(45) **Date of Patent:** **** Jun. 15, 2021**

(54) **HANGING DRAWER**

(71) Applicant: **JOSEPH JOSEPH LTD.**, London (GB)

(72) Inventor: **Antony Joseph**, London (GB)

(73) Assignee: **JOSEPH JOSEPH LTD.**, London (GB)

(**) Term: **15 Years**

(21) Appl. No.: **29/699,127**

(22) Filed: **Jul. 23, 2019**

(30) **Foreign Application Priority Data**

Jan. 23, 2019 (EM) 006082186-0002

(51) **LOC (13) Cl.** **07-99**

(52) **U.S. Cl.**
USPC **D7/600.1**; D6/705

(58) **Field of Classification Search**
USPC D7/590, 600.1, 600.3, 601, 602, 701;
D6/663, 664, 664.1, 667, 671, 671.1,
D6/671.2, 671.3, 671.4; D3/295, 296,
D3/297, 298

CPC A47B 17/04; A47B 47/00; A47B 47/04;
A47B 57/00; A47B 67/00; A47B 67/04;
A47B 88/00; A47B 88/40; A47B 88/42;
A47B 88/402; A47B 88/407; A47B
88/413; A47B 88/417; A47B 88/433;
A47B 88/90; A47B 88/906; A47B
88/944; A47B 88/60; A47B 88/956; A47B
43/00; A47B 45/00; A47B 46/00; A47B
51/00; A47B 55/00; A47J 47/00; A47J
47/16

See application file for complete search history.

(56) **References Cited**

U.S. PATENT DOCUMENTS

3,653,734 A * 4/1972 Ungaro A47B 88/90
312/107
4,173,380 A * 11/1979 Dupree A47B 88/956
312/330.1

4,732,430 A * 3/1988 Byrns A47B 88/00
312/330.1
5,549,377 A * 8/1996 Krivec A47B 88/417
312/334.16
D444,319 S * 7/2001 Draheim D6/671.1
D593,347 S * 6/2009 Kilpatrick D6/705
D684,402 S * 6/2013 Gasser D6/705

(Continued)

OTHER PUBLICATIONS

Joseph Joseph Cupboard Store Under-Shelf Drawer, from kohls.com, Retrieved Date Feb. 18, 2021, pp. 1-6, https://www.kohls.com/product/prd-3778363/joseph-joseph-cupboard-store-under-shelf-drawer.jsp?skuid=58542319&CID=shopping30&utm_campaign=FOOD%20PREP&utm_medium=CSE&utm_source=google&utm_product=58542319&utm_campaignid=9836151749&gclid=EAAlQobChMlsciLkpD17glVxNzlCh0VGg-tEAQYFCABEgKflPD_BwE&gclsrc=aw.ds (Year: 2021).*

Primary Examiner — Mimosa De

(74) *Attorney, Agent, or Firm* — Millen, White, Zelano & Branigan, PC; Ryan Pool

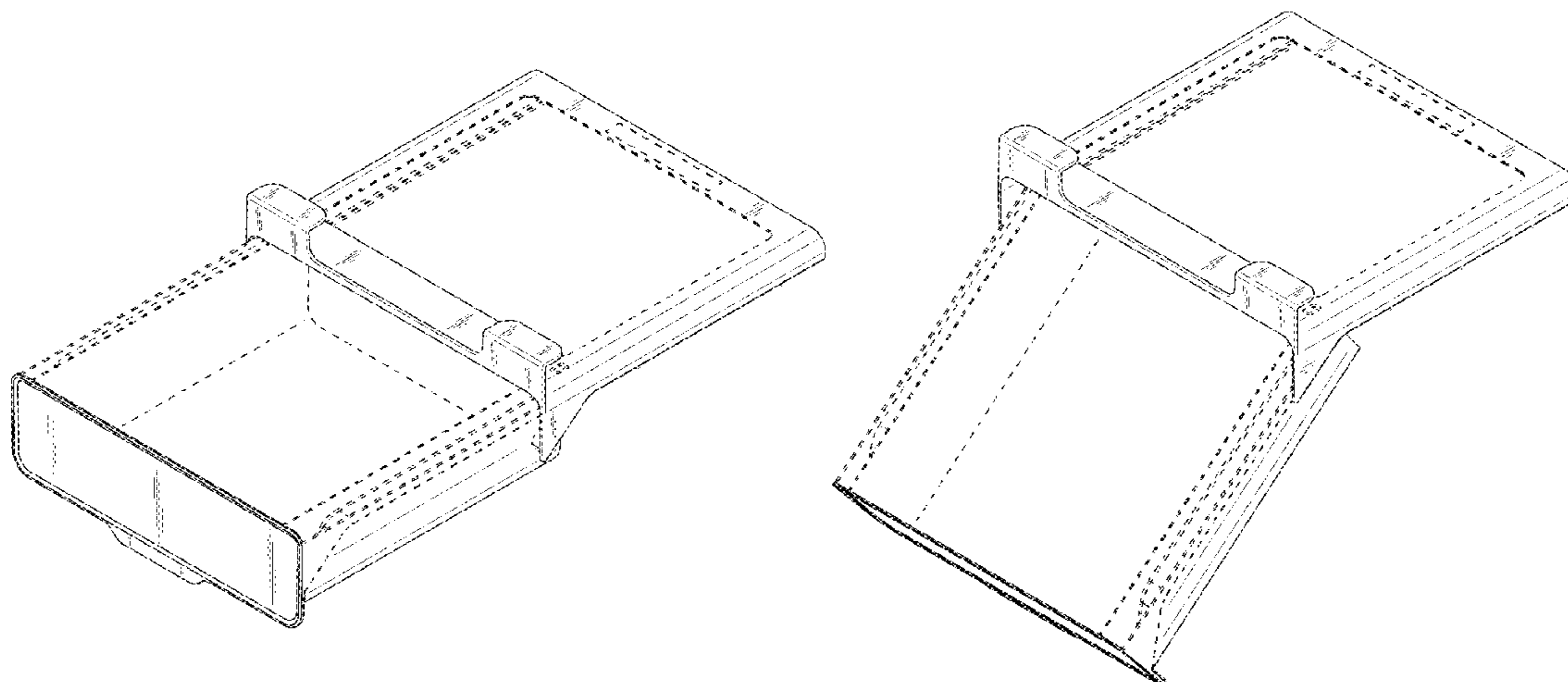
(57) **CLAIM**

The ornamental design for a hanging drawer, as shown and described.

DESCRIPTION

FIG. 1 is a perspective view of the hanging drawer showing my new design.
FIG. 2 is a front view thereof.
FIG. 3 is a back view thereof.
FIG. 4 is a top view thereof.
FIG. 5 is bottom side view thereof.
FIG. 6 is a side view thereof.
FIG. 7 is another side view thereof.
FIG. 8 is a perspective view thereof showing the hanging drawer in an extended configuration; and,
FIG. 9 is a perspective view thereof showing the hanging drawer in a display configuration.

(Continued)



The broken lines in the drawings illustrate portions of the hanging drawer which form no part of the claimed design.

1 Claim, 9 Drawing Sheets

(56) **References Cited**

U.S. PATENT DOCUMENTS

8,926,031	B2 *	1/2015	Belton	A47B 88/407 312/246
9,737,139	B1 *	8/2017	Knake	A47B 46/00
D815,494	S *	4/2018	Lipper McCauley	D7/600.1
D817,720	S *	5/2018	Hertaus	D7/600.1
10,376,057	B2 *	8/2019	Knake	A47B 88/60
2012/0074825	A1 *	3/2012	Armstrong	A47B 88/407 312/334.23

* cited by examiner

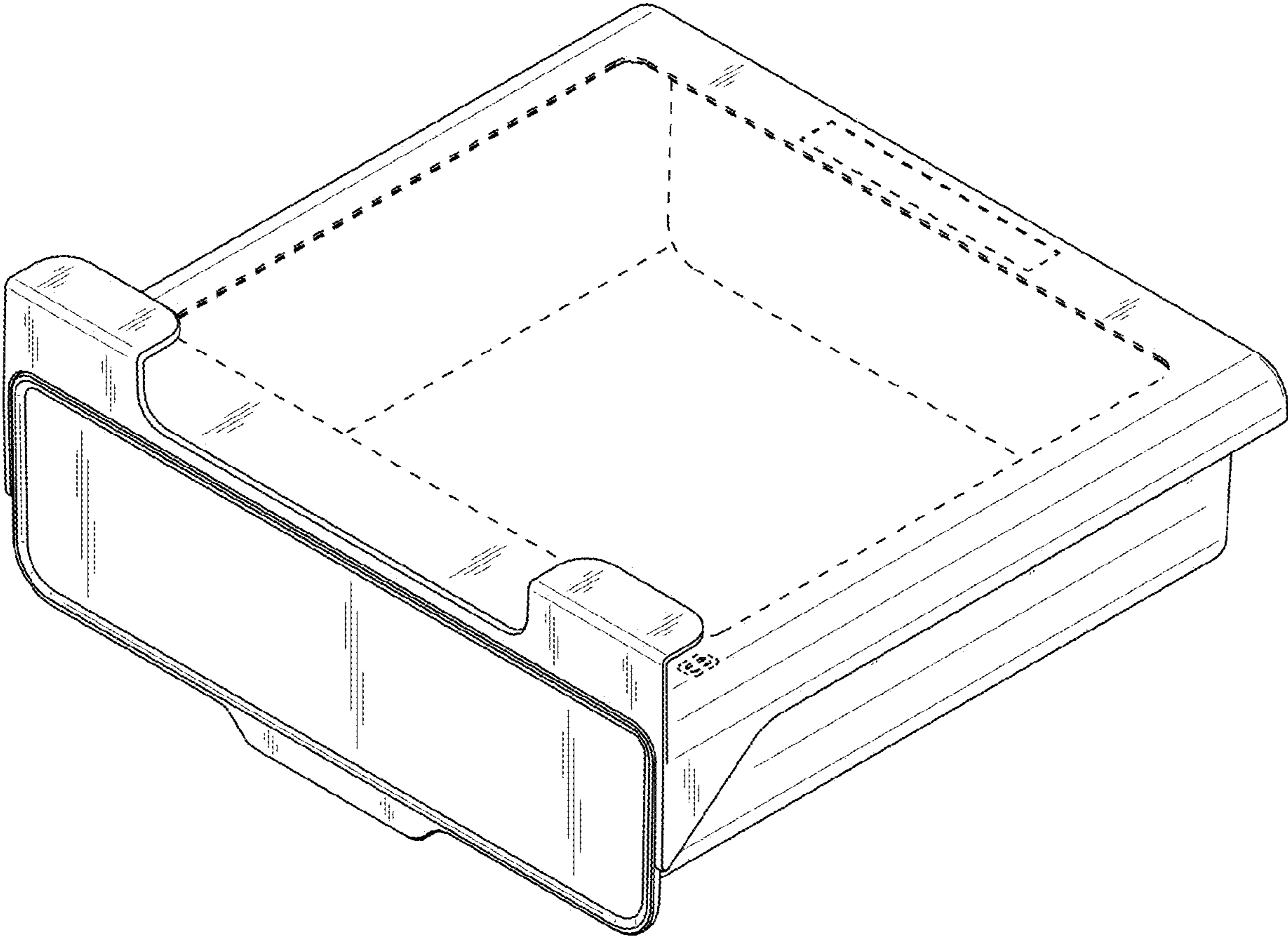


FIG. 1

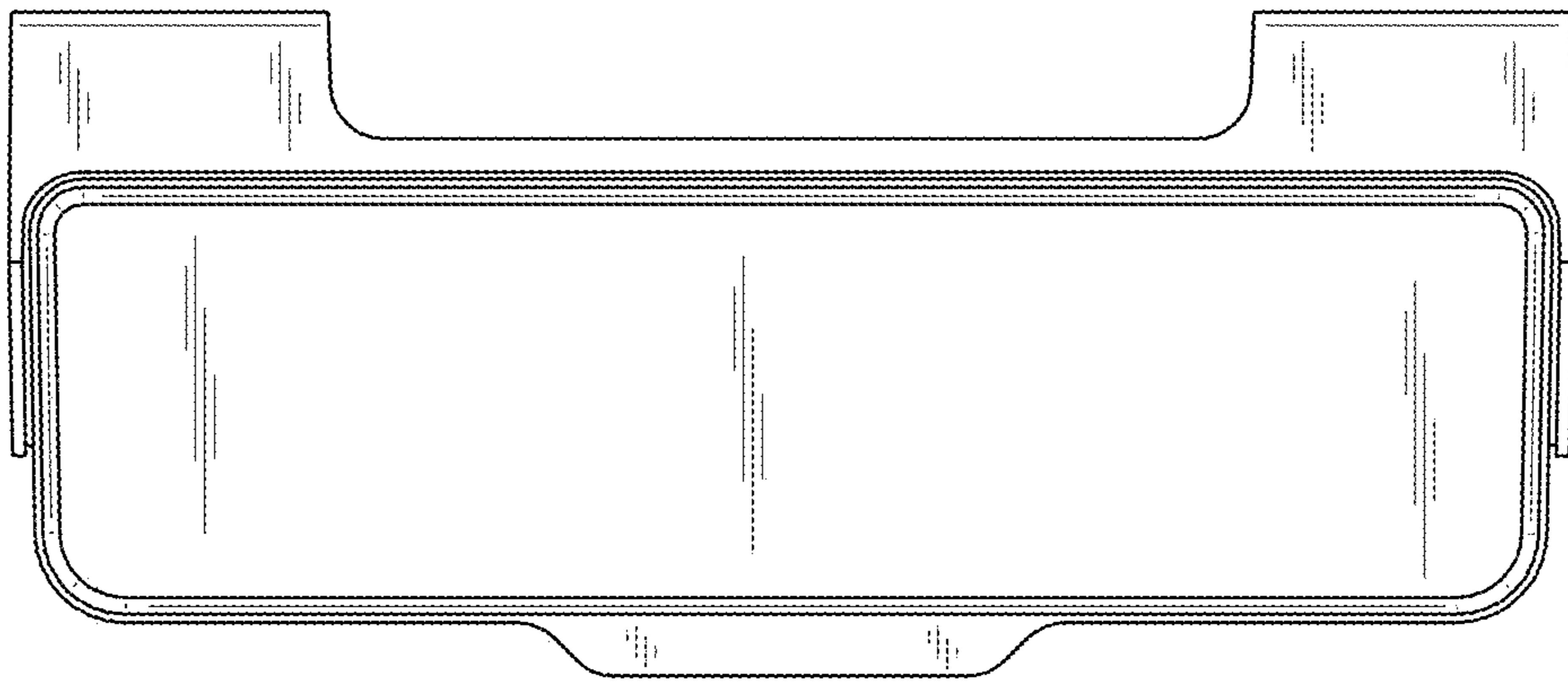


FIG. 2

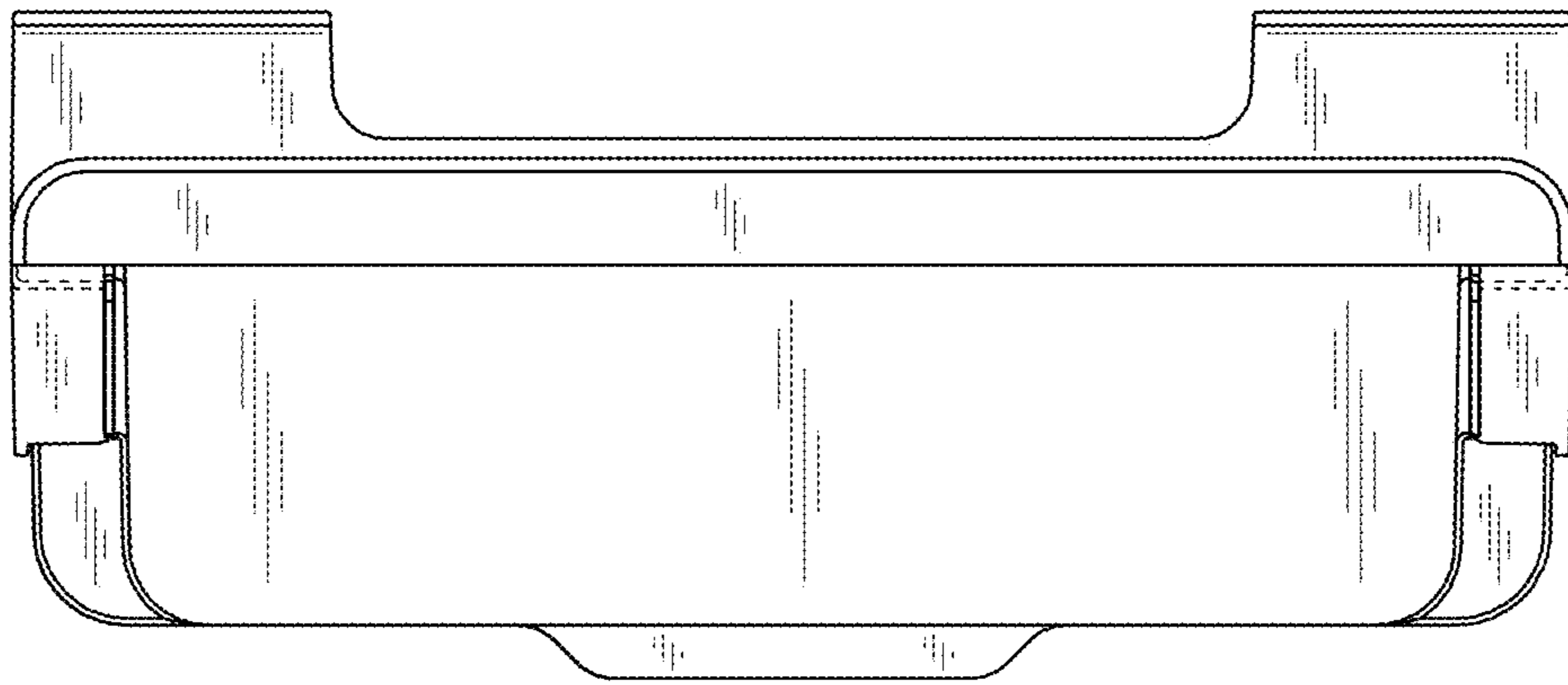


FIG. 3

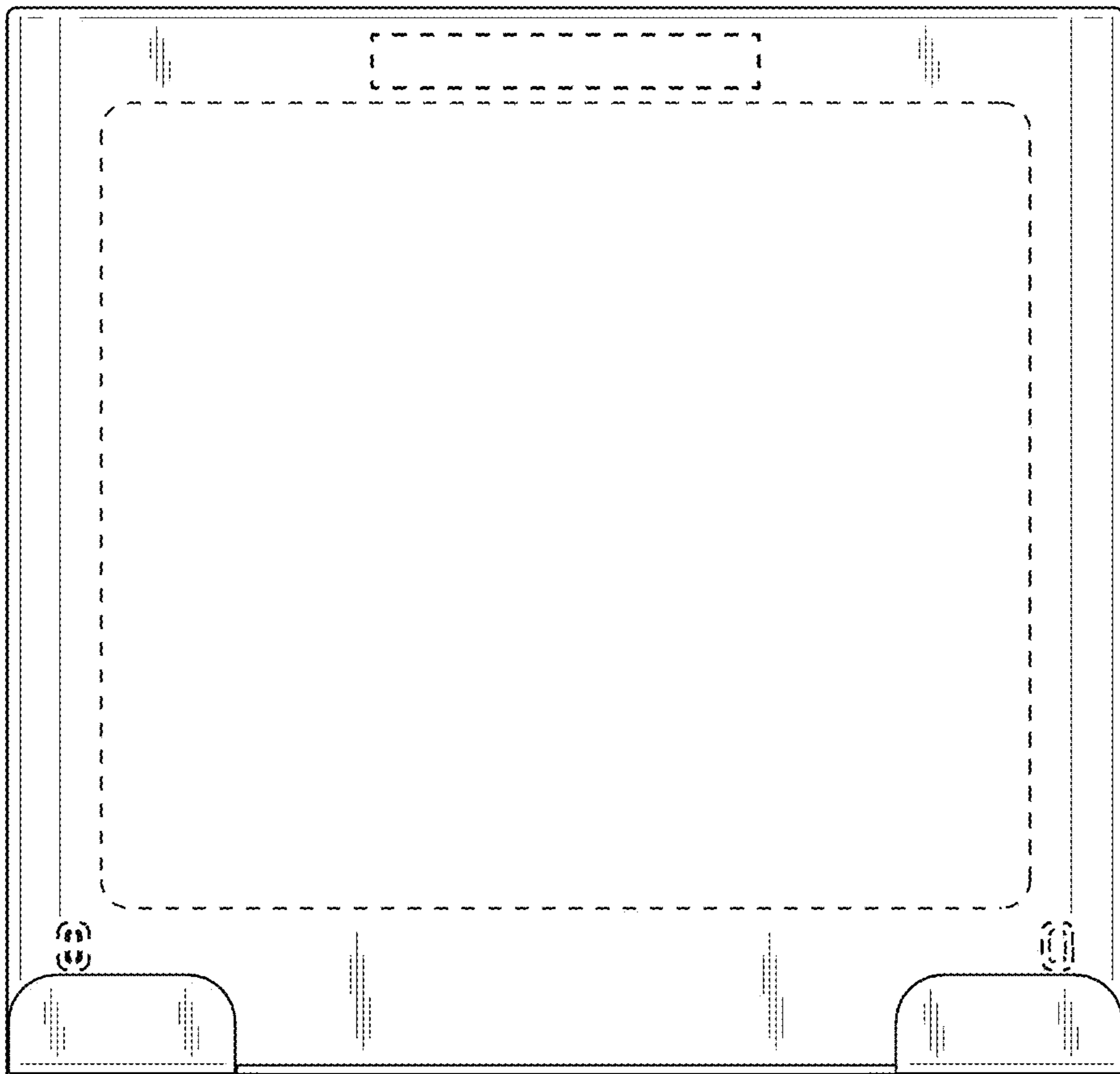


FIG. 4

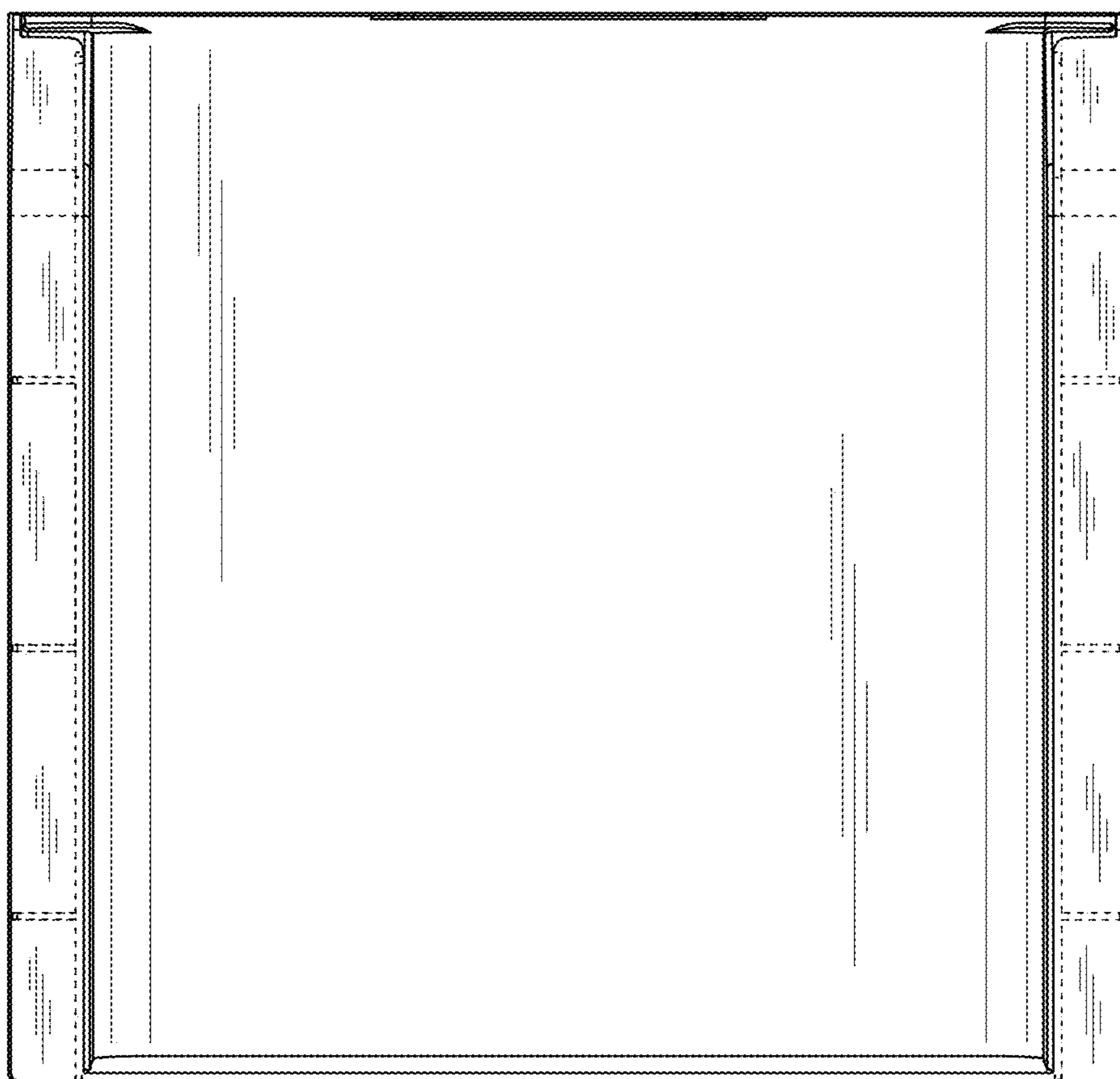


FIG. 5

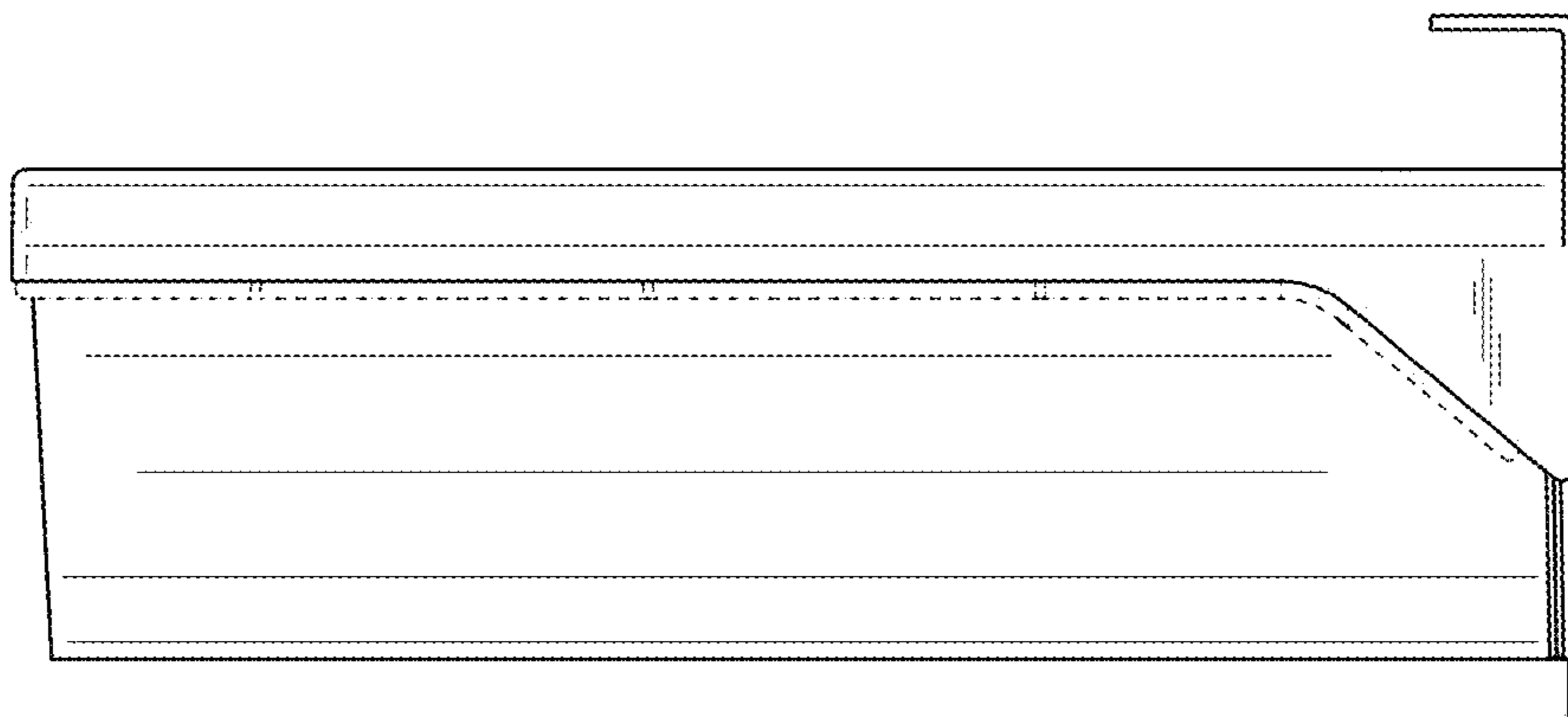


FIG. 6

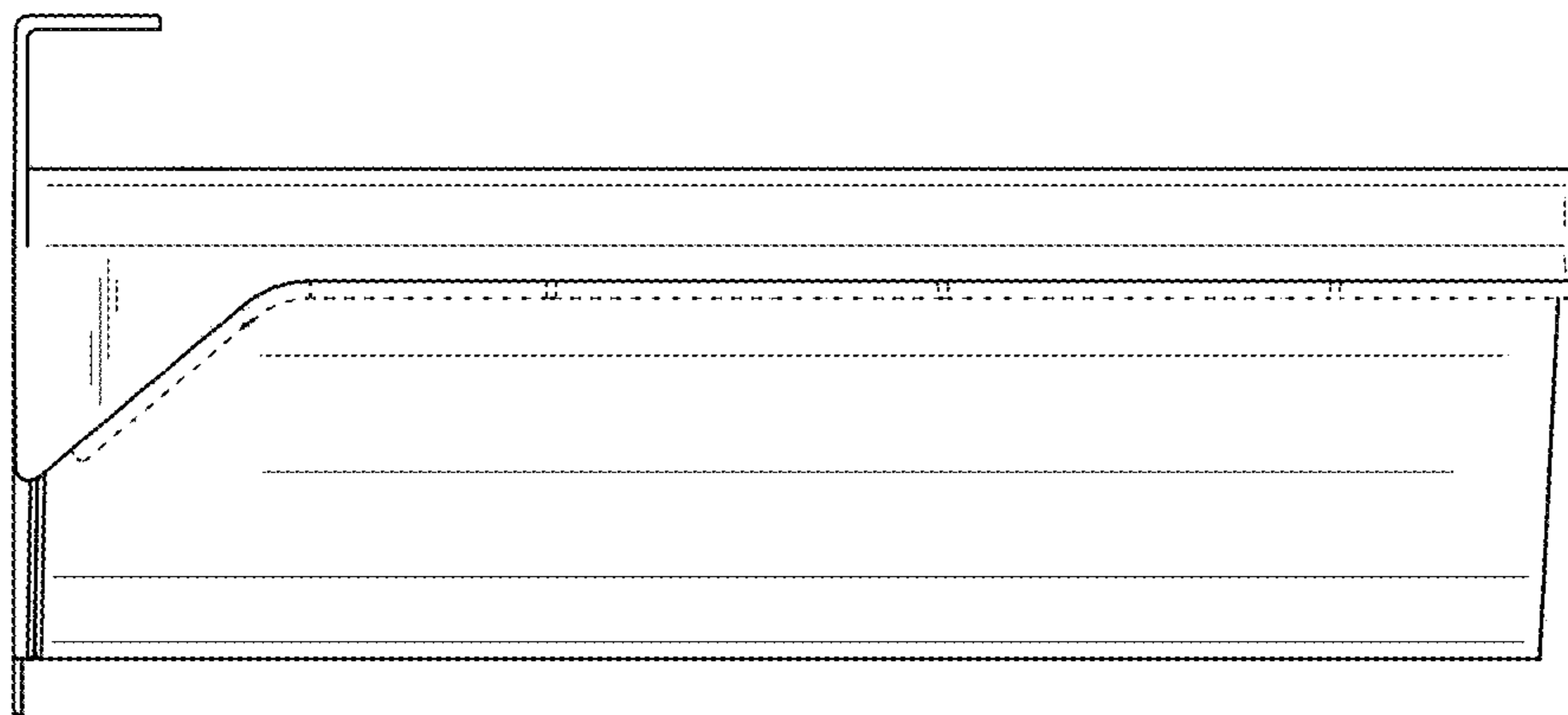


FIG. 7

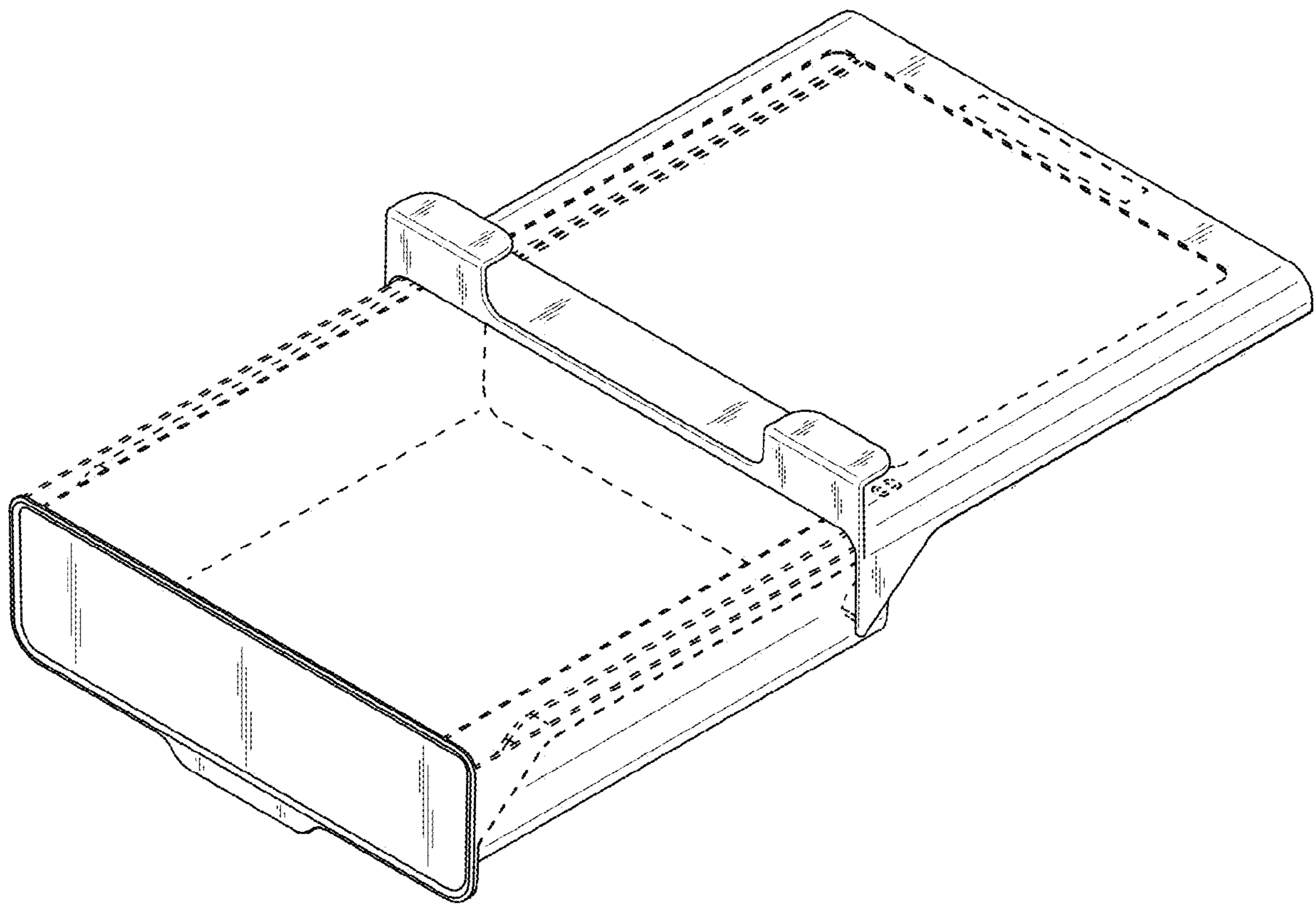


FIG. 8

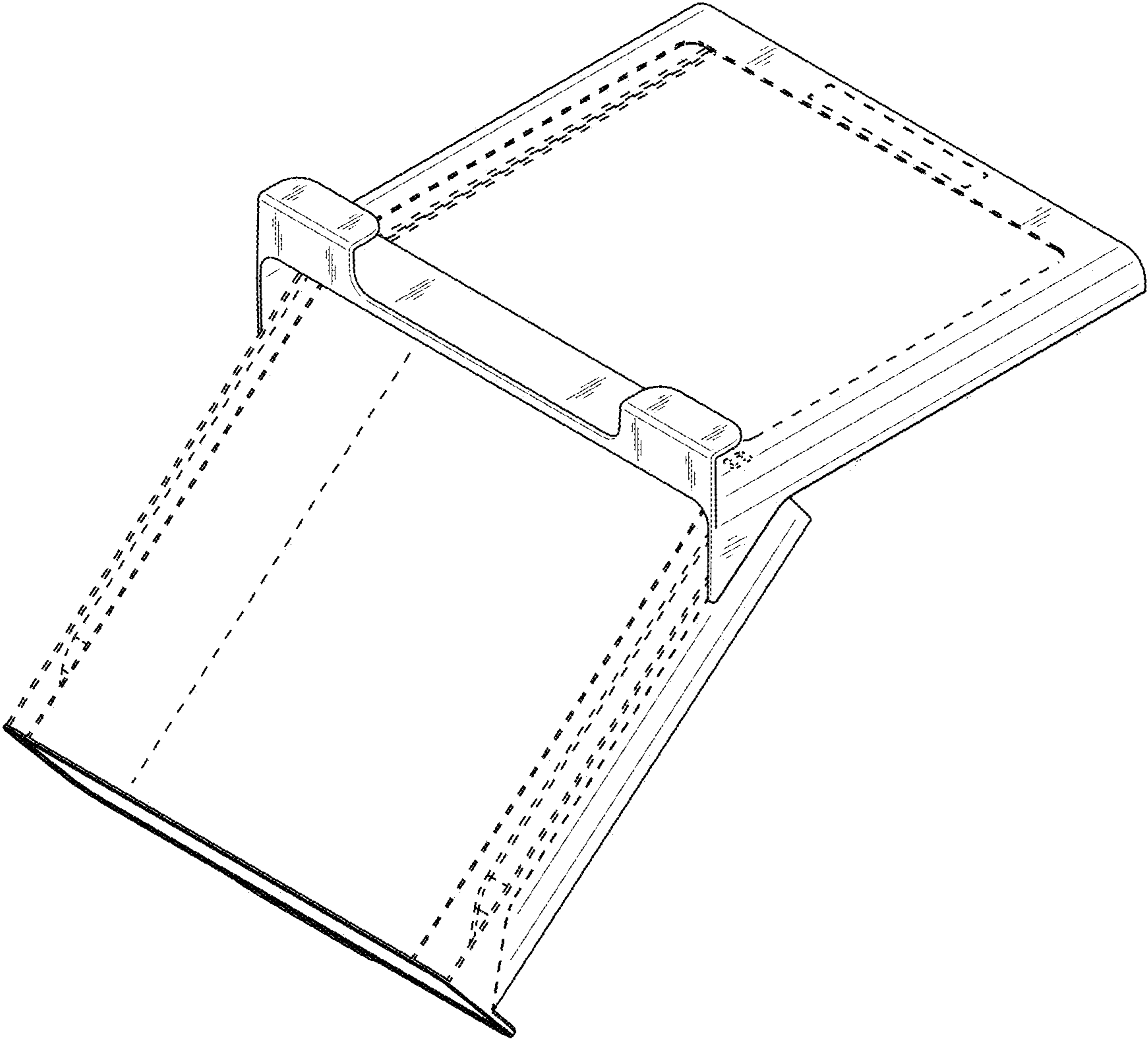


FIG. 9