



US00D922145S

(12) **United States Design Patent**
Kuh et al.

(10) **Patent No.:** **US D922,145 S**
(45) **Date of Patent:** **** Jun. 15, 2021**

- (54) **DRINKING CONTAINER**
- (71) Applicant: **Ember Technologies, Inc.**, Westlake Village, CA (US)
- (72) Inventors: **Christopher Kuh**, San Francisco, CA (US); **Martin Gschwandtl**, San Francisco, CA (US); **Eric Fields**, San Francisco, CA (US)
- (73) Assignee: **Ember Technologies, Inc.**, Westlake Village, CA (US)

4,980,539 A 12/1990 Walton
 5,042,258 A 8/1991 Sundhar
 D338,302 S 8/1993 Shafer
 D366,810 S 2/1996 Yeh
 (Continued)

FOREIGN PATENT DOCUMENTS

CN 202283199 U 6/2012
 JP HD2300613300 3/2012
 (Continued)

OTHER PUBLICATIONS

Office Action received in Japanese Design Application No. 2016-501954, dated Nov. 9, 2018, 5 pages.
 (Continued)

Primary Examiner — Susan E Krakower
Assistant Examiner — Andrew Kerr
 (74) *Attorney, Agent, or Firm* — Knobbe, Martens, Olson & Bear LLP

- (**) Term: **15 Years**
- (21) Appl. No.: **29/654,522**
- (22) Filed: **Jun. 25, 2018**

Related U.S. Application Data

- (63) Continuation of application No. 29/570,335, filed on Jul. 7, 2016, now Pat. No. Des. 822,440.
- (51) **LOC (13) Cl.** **07-01**
- (52) **U.S. Cl.**
USPC **D7/523**; D7/536; D34/1
- (58) **Field of Classification Search**
USPC D6/524, 534, 535; D7/509, 533, 536, D7/523, 602, 619.1, 630; D19/65, 81, D19/95; D34/1; D11/131, 143, 152
CPC A47G 19/22; A47G 19/2205; A47G 19/2288; A47J 27/21008; B65D 1/10
See application file for complete search history.

(57) **CLAIM**

We claim the ornamental design for a drinking container, as shown and described.

DESCRIPTION

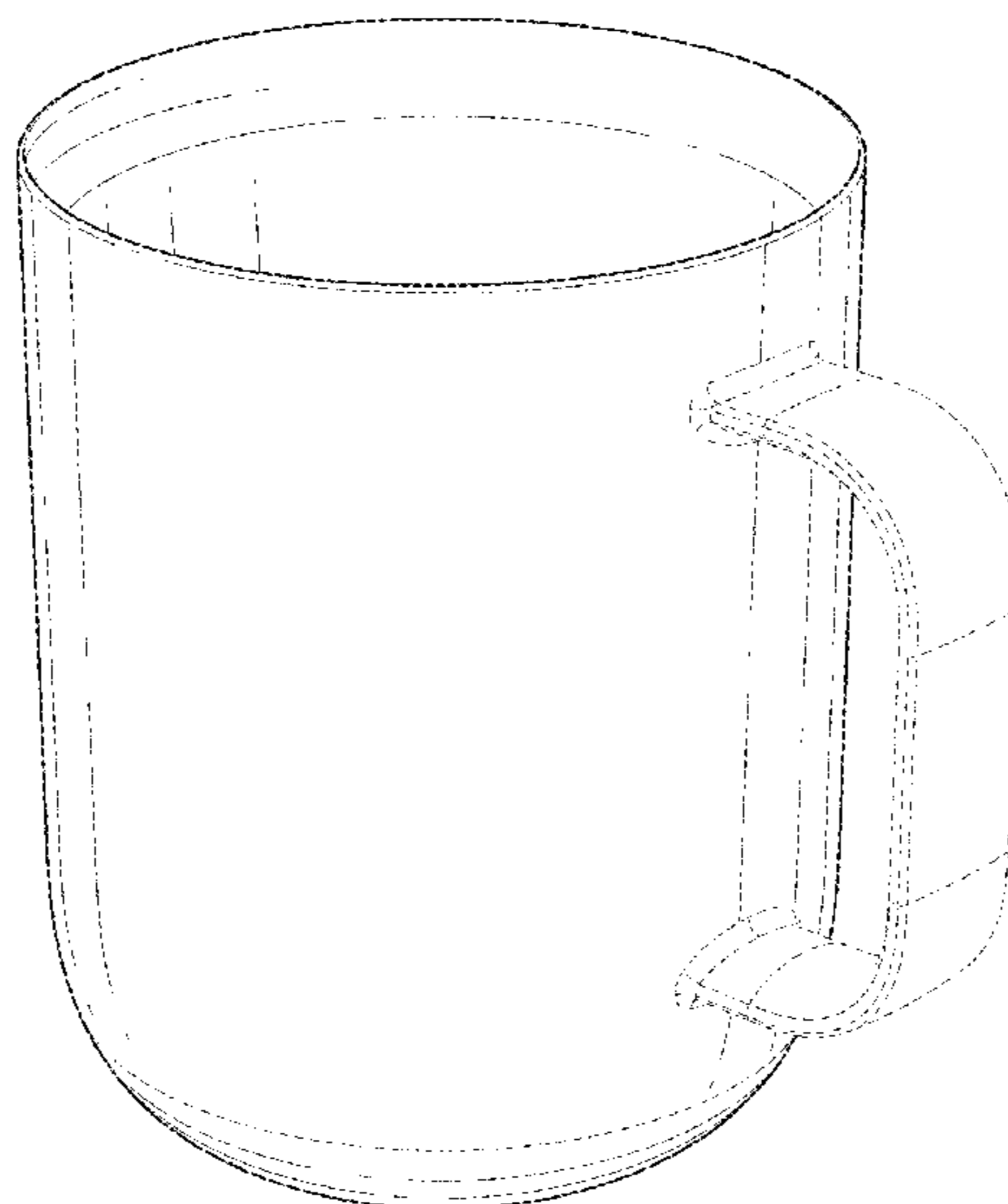
FIG. 1 is a perspective top view of a new design for a drinking container;
 FIG. 2 is a top view thereof;
 FIG. 3 is a bottom view thereof;
 FIG. 4 is a left side view thereof;
 FIG. 5 is a right side view thereof;
 FIG. 6 is a front view thereof; and,
 FIG. 7 is a rear view thereof.
 The horizontal broken line in FIG. 4 represents a seam line. The remainder of the broken lines in the drawings depict portions of the drinking container that form no part of the claimed design.

(56) **References Cited**

U.S. PATENT DOCUMENTS

- D55,571 S 6/1920 Paine
 2,299,730 A * 10/1942 Bornstein A47G 19/2216
 220/718
 D139,441 S 11/1944 Lippincott
 D185,465 S 6/1959 Schlumbohm
 D194,053 S * 11/1962 Cornelius D7/536

1 Claim, 6 Drawing Sheets



(56)

References Cited

U.S. PATENT DOCUMENTS

D377,293 S 1/1997 Husted
 D379,740 S 6/1997 Miller
 5,842,353 A 12/1998 Lin
 D408,689 S 4/1999 Kato
 6,013,901 A 1/2000 Lavoie
 6,072,161 A 6/2000 Stein
 D432,865 S 10/2000 Cohen
 6,140,614 A 10/2000 Padamsee
 D436,295 S * 1/2001 Furman D7/509
 6,314,867 B1 11/2001 Russell
 D457,036 S * 5/2002 Manuel D7/533
 6,403,928 B1 6/2002 Ford
 D472,101 S 3/2003 Janky
 D483,995 S 12/2003 Otake
 6,674,052 B1 1/2004 Luo
 D490,272 S 5/2004 Rohe
 D495,208 S 8/2004 Putnam
 D497,778 S 11/2004 Rich
 6,852,954 B1 2/2005 Liu et al.
 D502,396 S 3/2005 Frisch
 6,864,462 B2 3/2005 Sanoner et al.
 D514,884 S 2/2006 Smith
 7,022,946 B2 4/2006 Sanoner et al.
 D531,856 S 11/2006 Seum
 D535,151 S 1/2007 Seum
 D540,124 S 4/2007 Ross
 D545,131 S 6/2007 Seum
 D549,523 S * 8/2007 Montes D7/509
 D552,931 S 10/2007 Bodum
 D557,564 S 12/2007 Bodum
 D569,192 S 5/2008 Bodum
 D588,936 S 3/2009 Ioannides
 D599,169 S 9/2009 Stalions
 D608,147 S 1/2010 Sykes
 D623,473 S 9/2010 Chen
 D648,599 S * 11/2011 Watanabe D7/523
 D649,403 S 11/2011 Eyal
 D654,319 S 2/2012 Myers
 D662,776 S 7/2012 Eyal
 8,225,957 B1 * 7/2012 Volan A47J 41/024
 220/592.23
 8,274,016 B2 9/2012 Montana
 D705,012 S 5/2014 Lapsker
 D706,475 S 6/2014 Lee
 D716,982 S 11/2014 Corey
 D719,785 S * 12/2014 Grcic D7/536
 D721,540 S 1/2015 Grcic

D724,385 S 3/2015 Hurley
 D727,093 S 4/2015 Lapsker
 D734,989 S 7/2015 Lapsker
 D747,929 S 1/2016 Arseneau
 D764,233 S 8/2016 Lee
 D764,234 S 8/2016 Lee
 D770,853 S 11/2016 Gschwandtl
 D773,250 S * 12/2016 Miller D7/523
 D784,137 S 4/2017 Cates
 D787,888 S 5/2017 Joseph
 D813,607 S * 3/2018 Nally D7/536
 D822,440 S * 7/2018 Kuh D7/536
 D828,097 S * 9/2018 Silsby D7/523
 D832,050 S * 10/2018 Diener D7/510
 D839,676 S * 2/2019 Seiders D7/523
 D882,343 S * 4/2020 Rane D7/536
 D905,506 S * 12/2020 Wiesenthal D7/509
 2005/0121431 A1 6/2005 Yuen
 2006/0207442 A1 9/2006 Pettersson
 2010/0000980 A1 1/2010 Popescu
 2010/0224645 A1 9/2010 Gilbert
 2011/0072978 A1 3/2011 Popescu
 2012/0082766 A1 4/2012 Maupin et al.
 2013/0175278 A1 * 7/2013 Kah, Jr. A47G 19/2288
 220/592.2
 2013/0221013 A1 8/2013 Kolowich et al.
 2014/0124513 A1 5/2014 Shearer
 2018/0312322 A1 * 11/2018 Canales Kell B65D 23/001

FOREIGN PATENT DOCUMENTS

JP 1493766 S 3/2014
 KR 3007448710000 5/2014

OTHER PUBLICATIONS

Drinking Container| Votive Candle | posted at Okcandle.com © 2009-2017 Okcandle.com, [on line], [site visited Sep. 21, 2017]. Available from Internet, <URL: <http://www.okcandle.com/products/Frosted-round-bottom-votive-candle-glasscup.html#.WcQEovkrJqM>>. Drinking Container| StainlessLUXI posted at Amazon.com © 1999-2017 Amazon.com, [on line], [site visited Sep. 21, 2017]. Available from Internet, <URL: https://www.amazon.com/StainlessLUX-73261-Stainless-Drinking-12-Ounce/dp/B003TLZ044/ref=ssr_1_543?s=home-garden&ie=UTF8&qid=1506025028&sr=1-543&keywords=steel+cup>. Office Action received in Taiwanese Patent Application No. 106300019, dated Jul. 30, 2018, 3 pages.

* cited by examiner

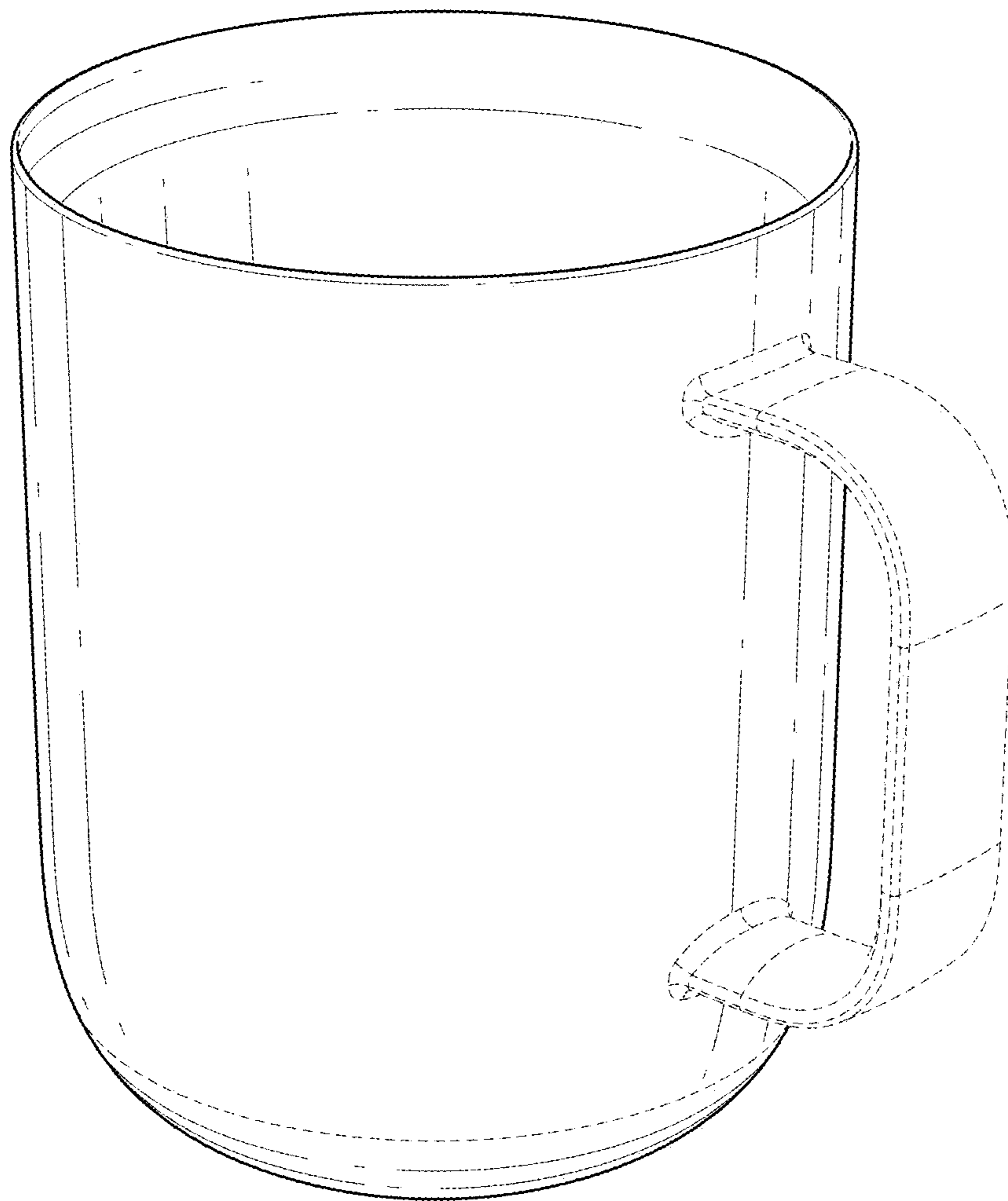


FIG. 1

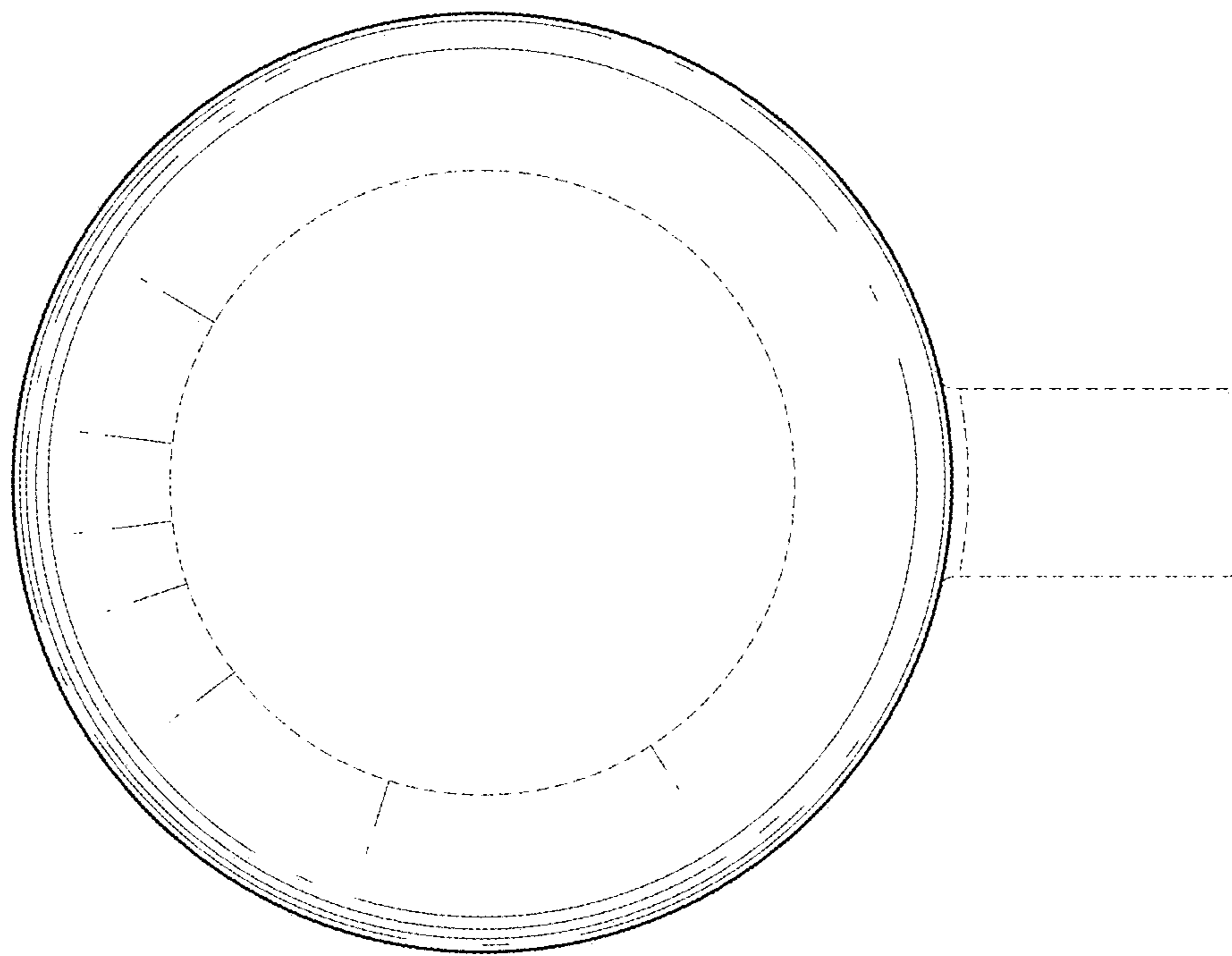


FIG. 2

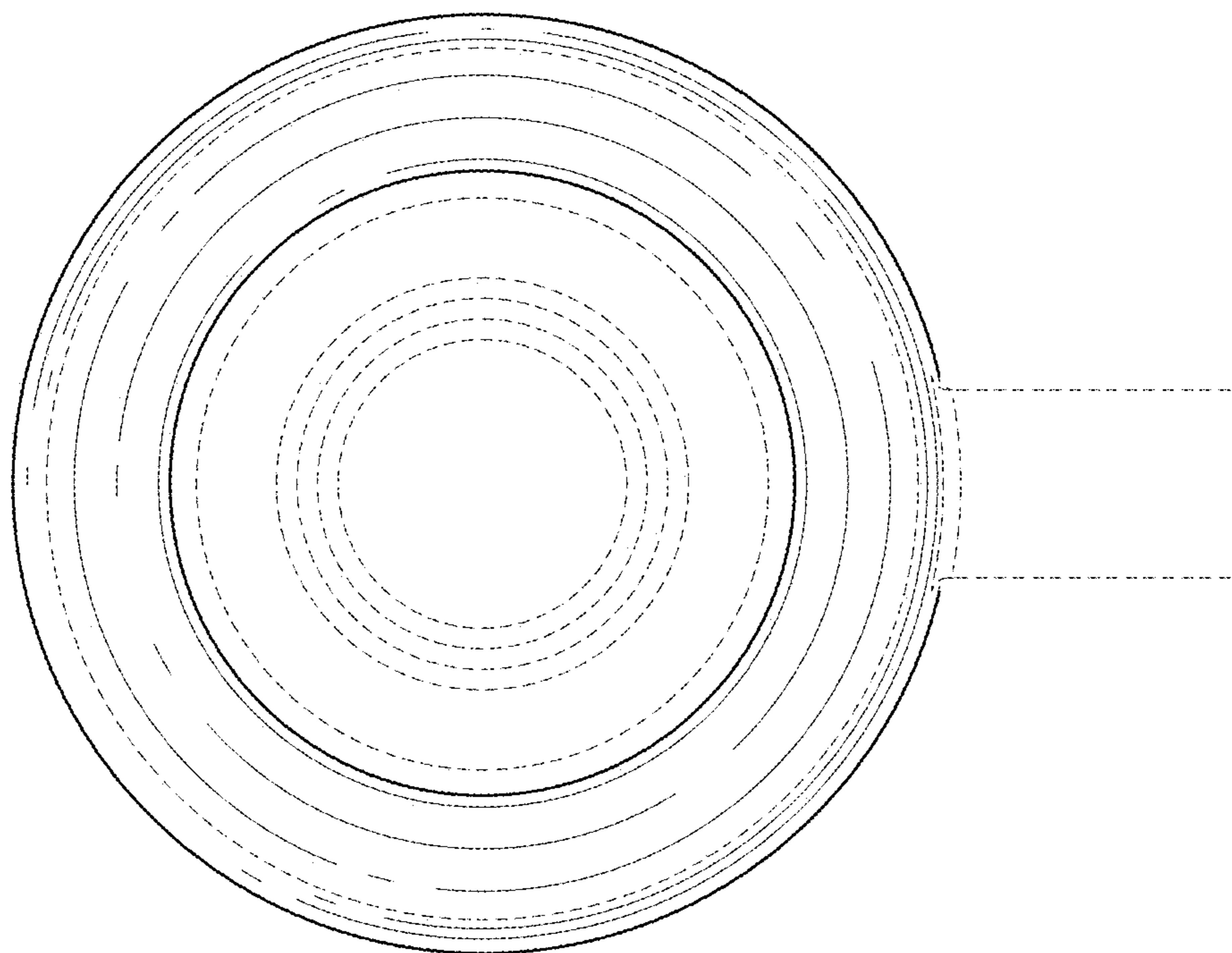


FIG. 3

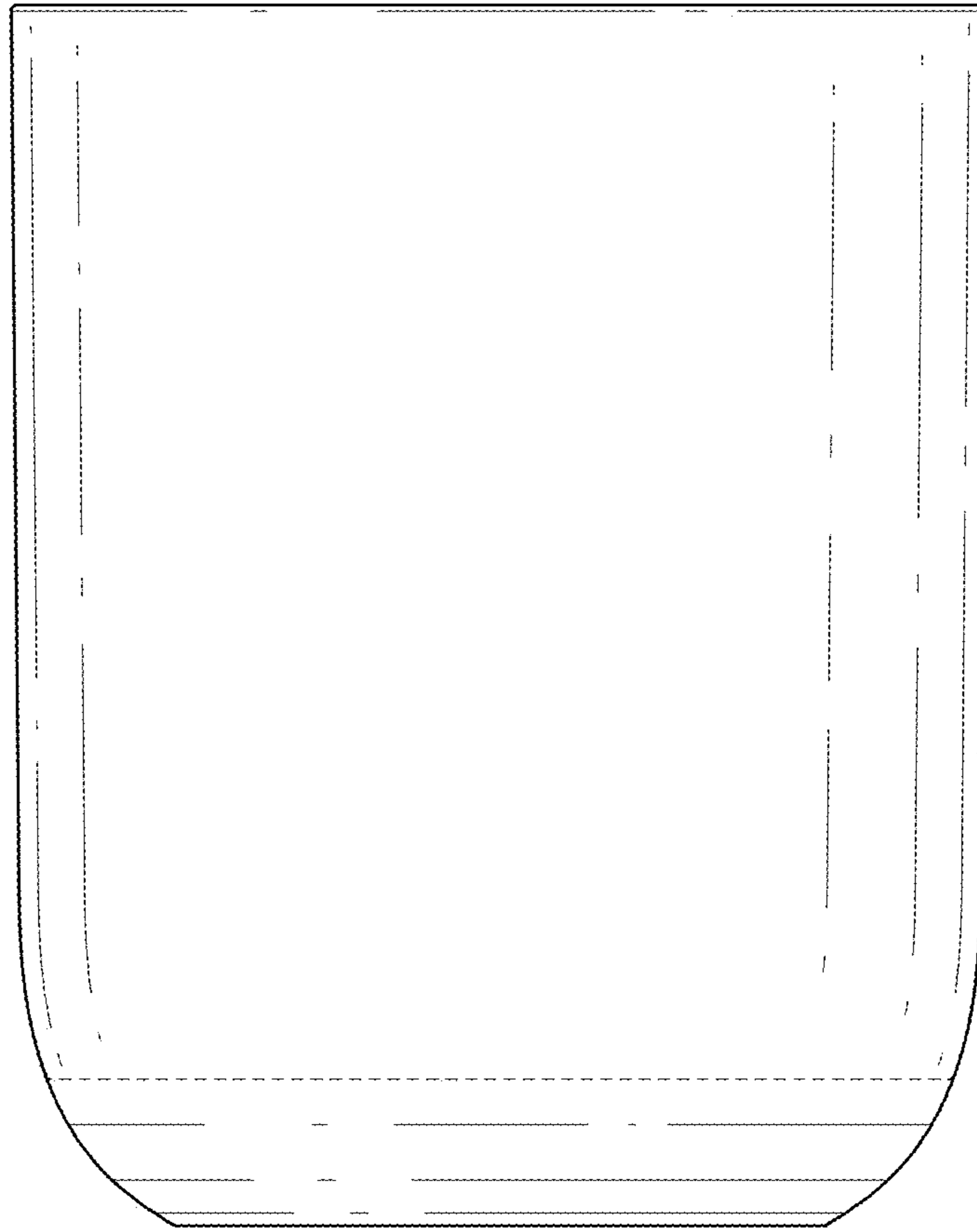


FIG. 4

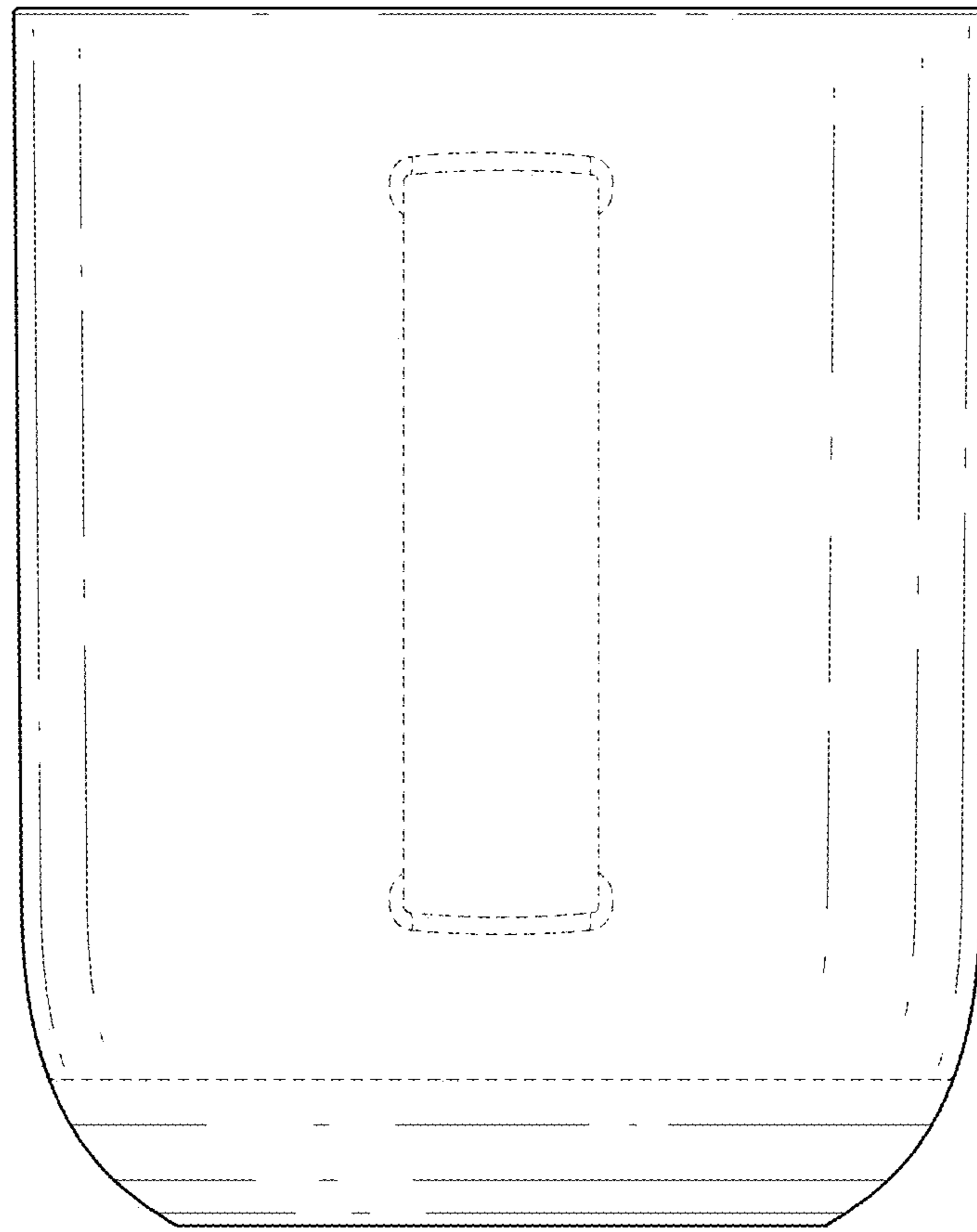


FIG. 5

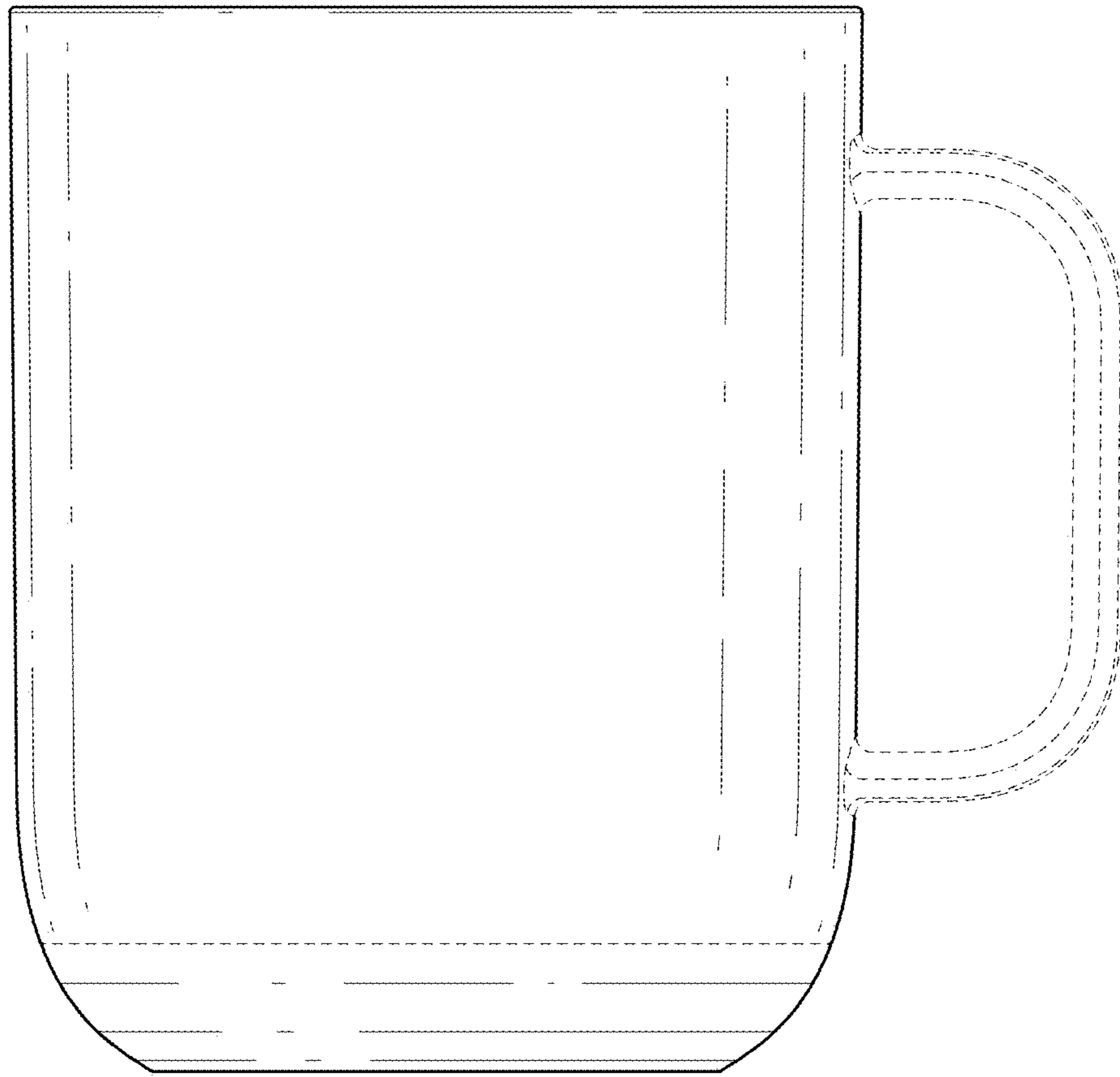


FIG. 6

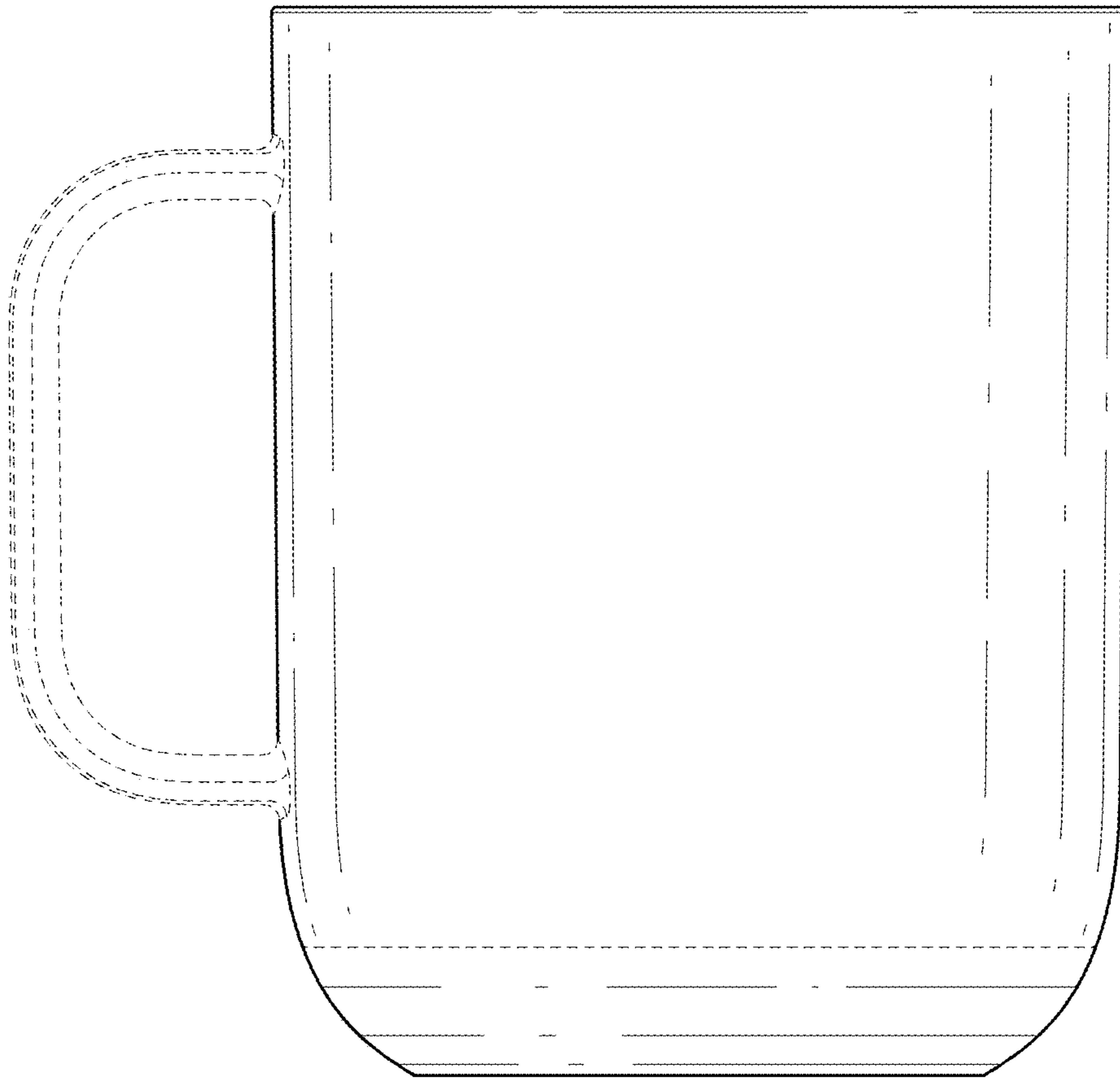


FIG. 7