



US00D922144S

(12) **United States Design Patent**
McConnell et al.

(10) **Patent No.:** **US D922,144 S**
(45) **Date of Patent:** **** Jun. 15, 2021**

(54) **ENCLOSURE FOR A BLENDER ASSEMBLY**

B02C 13/1835; B28C 5/10; B28C 5/12;
B28C 5/14; B28C 5/16

(71) Applicant: **WHIRLPOOL CORPORATION**,
Benton Harbor, MI (US)

See application file for complete search history.

(72) Inventors: **John W. McConnell**, St. Joseph, MI
(US); **Brandon T. Mock**, St. Joseph,
MI (US); **Zhaoyi Yin**, Benton Harbor,
MI (US)

(56) **References Cited**

U.S. PATENT DOCUMENTS

D295,012 S 4/1988 Gelber
5,533,797 A 7/1996 Gelber
5,957,577 A 9/1999 Dickson et al.

(Continued)

Primary Examiner — Ricky Pham

(73) Assignee: **Whirlpool Corporation**, Benton
Harbor, MI (US)

(74) *Attorney, Agent, or Firm* — Price Heneveld LLP

(**) Term: **15 Years**

(57) **CLAIM**

(21) Appl. No.: **29/752,905**

We claim the ornamental design for an enclosure for a
blender assembly, as shown and described.

(22) Filed: **Sep. 29, 2020**

DESCRIPTION

Related U.S. Application Data

(63) Continuation of application No. 29/733,200, filed on
Apr. 30, 2020, now Pat. No. Des. 901,247, which is
a continuation of application No. 29/660,744, filed on
Aug. 22, 2018, now Pat. No. Des. 883,021.

(51) **LOC (13) Cl.** **31-00**

(52) **U.S. Cl.**

USPC **D7/412**; D7/376; D7/378

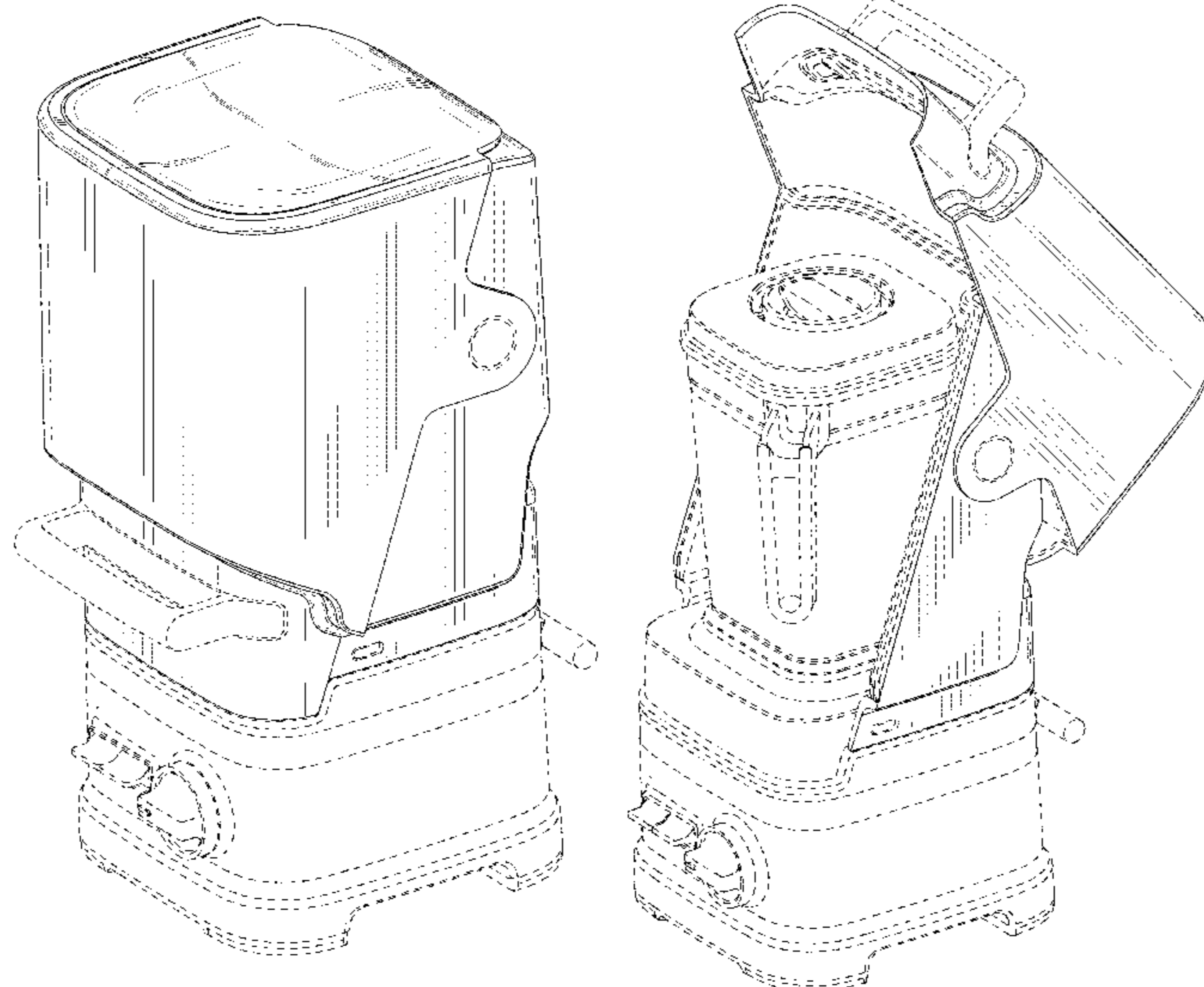
(58) **Field of Classification Search**

USPC D7/372, 374, 376–386, 412–413, 602,
D7/607, 629, 665–666, 669, 679,
D7/693–694; D15/122

CPC A21C 1/02; A21C 1/04; A23N 1/00; A23N
1/02; A47B 77/08; A47J 27/04; A47J
36/321; A47J 43/04; A47J 43/25; A47J
43/27; A47J 43/042; A47J 43/044; A47J
43/046; A47J 43/075; A47J 43/0716;
A47J 43/0722; A47J 43/0727; B01F 3/00;
B01F 3/0807; B01F 3/0853; B01F
11/0008; B01F 13/0059; B01F 13/0064;
B02C 1/08; B02C 2/04; B02C 4/42;
B02C 4/142; B02C 4/143; B02C 4/423;

FIG. 1 is a front perspective view of an enclosure for a
blender assembly of the present disclosure;
FIG. 2 is a rear perspective view of the enclosure for a
blender assembly of FIG. 1;
FIG. 3 is a front elevational view of the enclosure for a
blender assembly of FIG. 1;
FIG. 4 is a rear elevational view of the enclosure for a
blender assembly of FIG. 1;
FIG. 5 is a first side elevational view of the enclosure for a
blender assembly of FIG. 1;
FIG. 6 is a second side elevational view of the enclosure for
a blender assembly of FIG. 1;
FIG. 7 is a top plan view of the enclosure for a blender
assembly of FIG. 1;
FIG. 8 is a bottom plan view of the enclosure for a blender
assembly of FIG. 1; and,
FIG. 9 is a front top perspective view of an enclosure for a
blender assembly, where the enclosure portion has been
moved to a raised position.
The broken lines depict portions of the article that form no
part of the claimed design.

1 Claim, 9 Drawing Sheets



(56)

References Cited

U.S. PATENT DOCUMENTS

6,019,238 A *	2/2000	Kindig	A47B 77/08	8,287,180 B2 *	10/2012	Kolar	A47J 43/0716
			16/266				366/347
D427,016 S	6/2000	Kindig et al.		D770,225 S	11/2016	McCnnell et al.	
D428,564 S *	7/2000	Kao	D7/374	D786,613 S	5/2017	McDonnell et al.	
D432,864 S	10/2000	Kindig et al.		D787,882 S	5/2017	McConnell et al.	
D466,761 S	12/2002	Baerenrodt et al.		D835,162 S *	12/2018	Reches	D15/122
D471,059 S *	3/2003	Chuang	D7/374	D838,538 S	1/2019	Carlson	
6,612,732 B2 *	9/2003	Blakeman, II	B01F 11/0008	D842,025 S *	3/2019	Hauser	D7/381
			366/209	10,383,481 B2 *	8/2019	Kim	A47J 43/0716
D526,845 S	8/2006	Katz et al.		D858,195 S	9/2019	Lee	
D528,364 S	9/2006	Kolar et al.		D883,021 S	5/2020	McConnell et al.	
D557,976 S	12/2007	Olson et al.		D900,172 S *	10/2020	Wu	D15/122
7,520,663 B1	4/2009	Kolar et al.		D901,247 S *	11/2020	McConnell	D7/412
D592,903 S	5/2009	Olson et al.		2003/0034200 A1	2/2003	Bohannon et al.	
D594,697 S	6/2009	Lavy		2005/0152215 A1	7/2005	Stuart et al.	
D595,087 S	6/2009	Metaxatos et al.		2010/0014380 A1	1/2010	Kolar et al.	
D637,862 S	5/2011	Fouquet		2010/0038462 A1	2/2010	Kolar et al.	
				2014/0217211 A1	8/2014	Sanford	
				2017/0224169 A1	8/2017	Kolar	
				2018/0310769 A1	11/2018	Kim	
				2018/0326378 A1	11/2018	Moon	

* cited by examiner

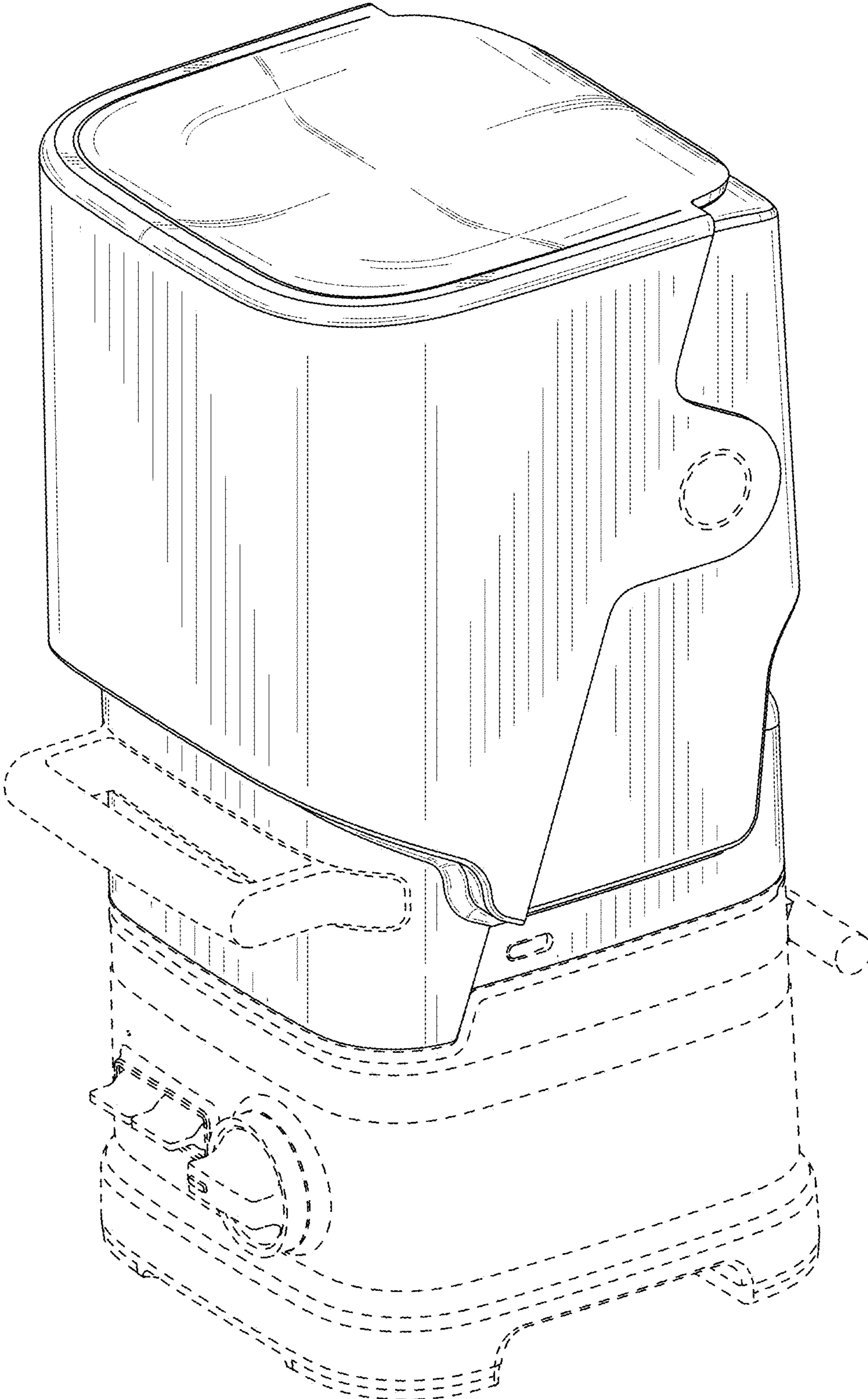


FIG. 1

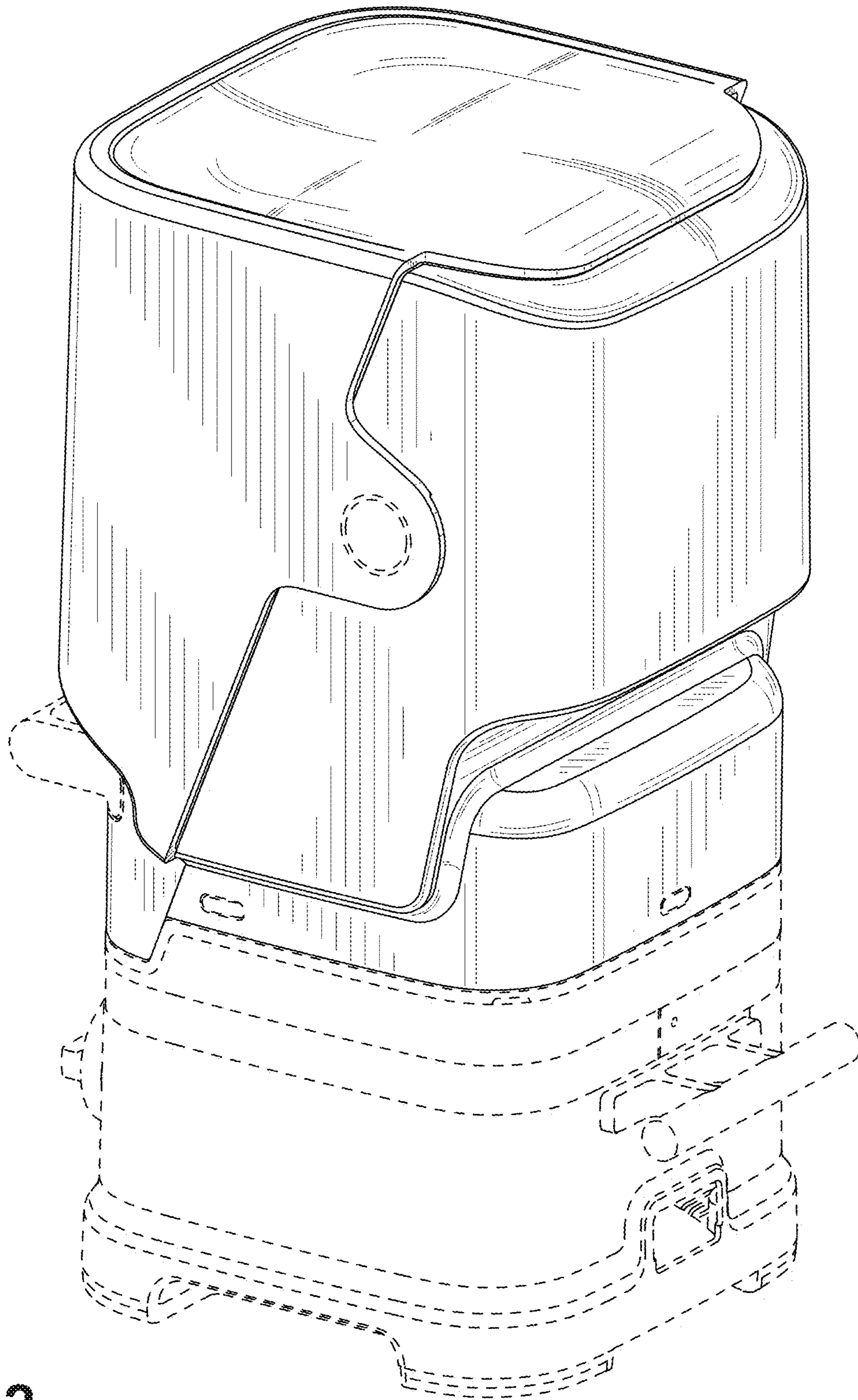


FIG. 2

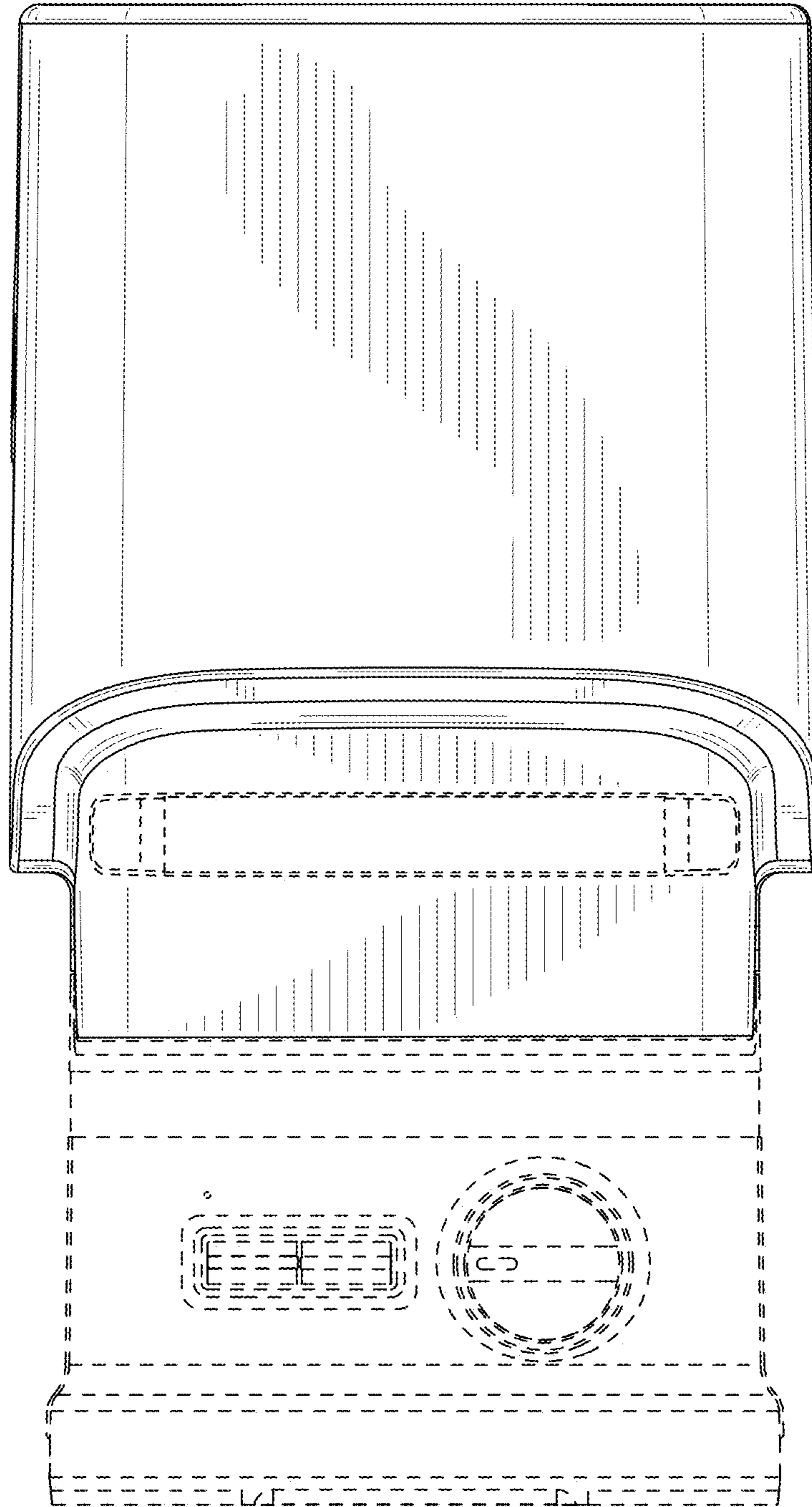


FIG. 3

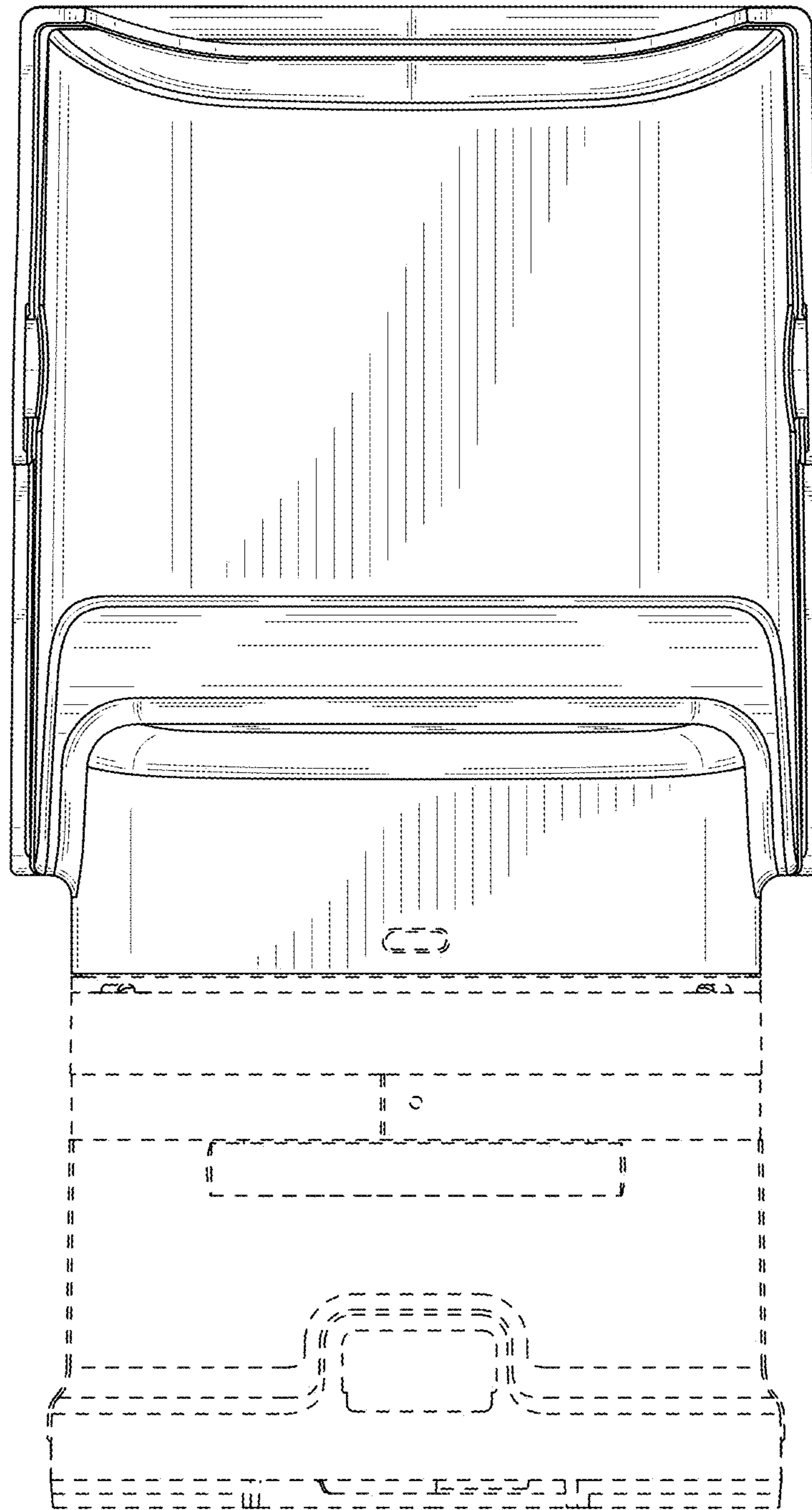


FIG. 4

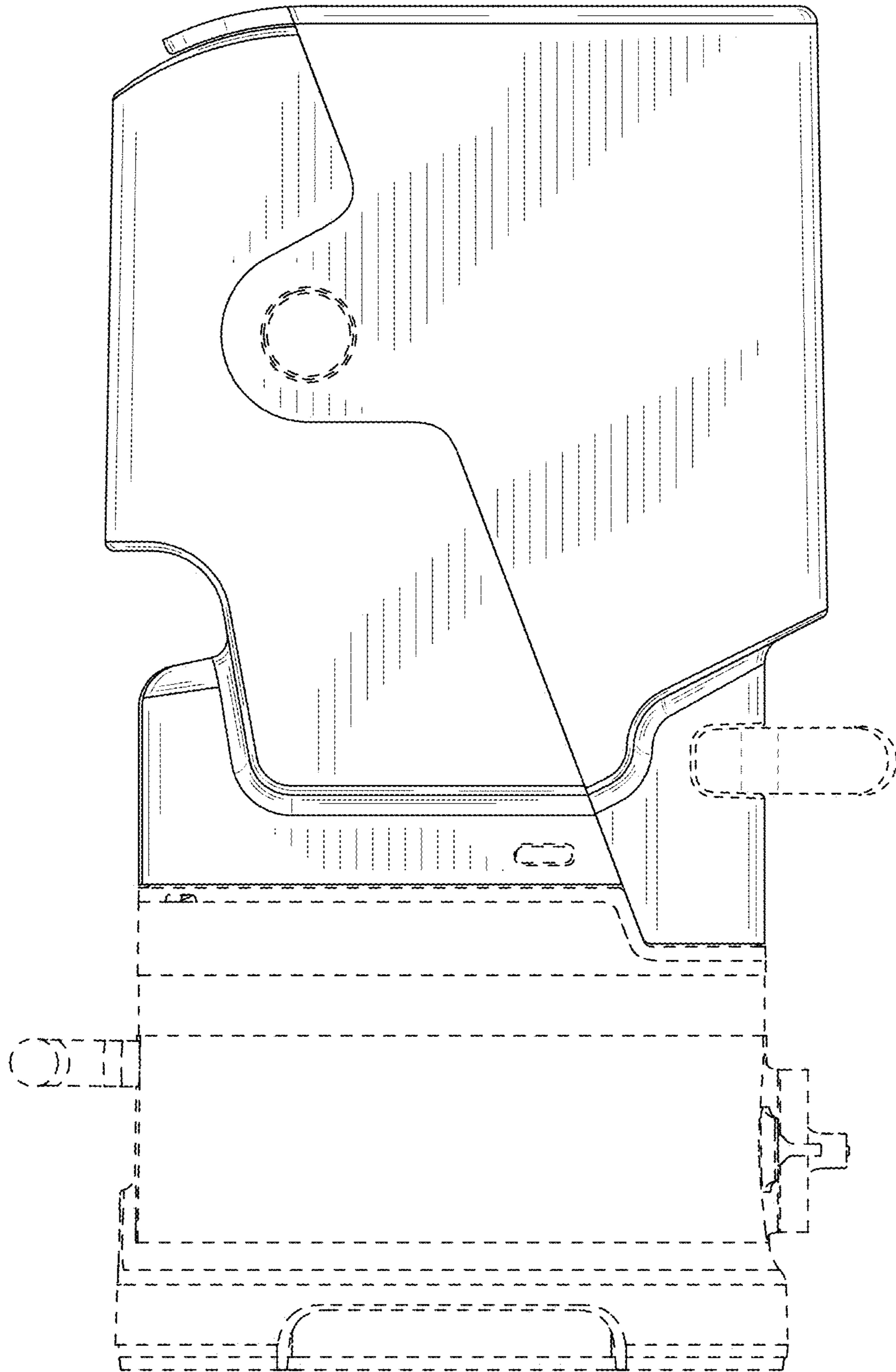


FIG. 5

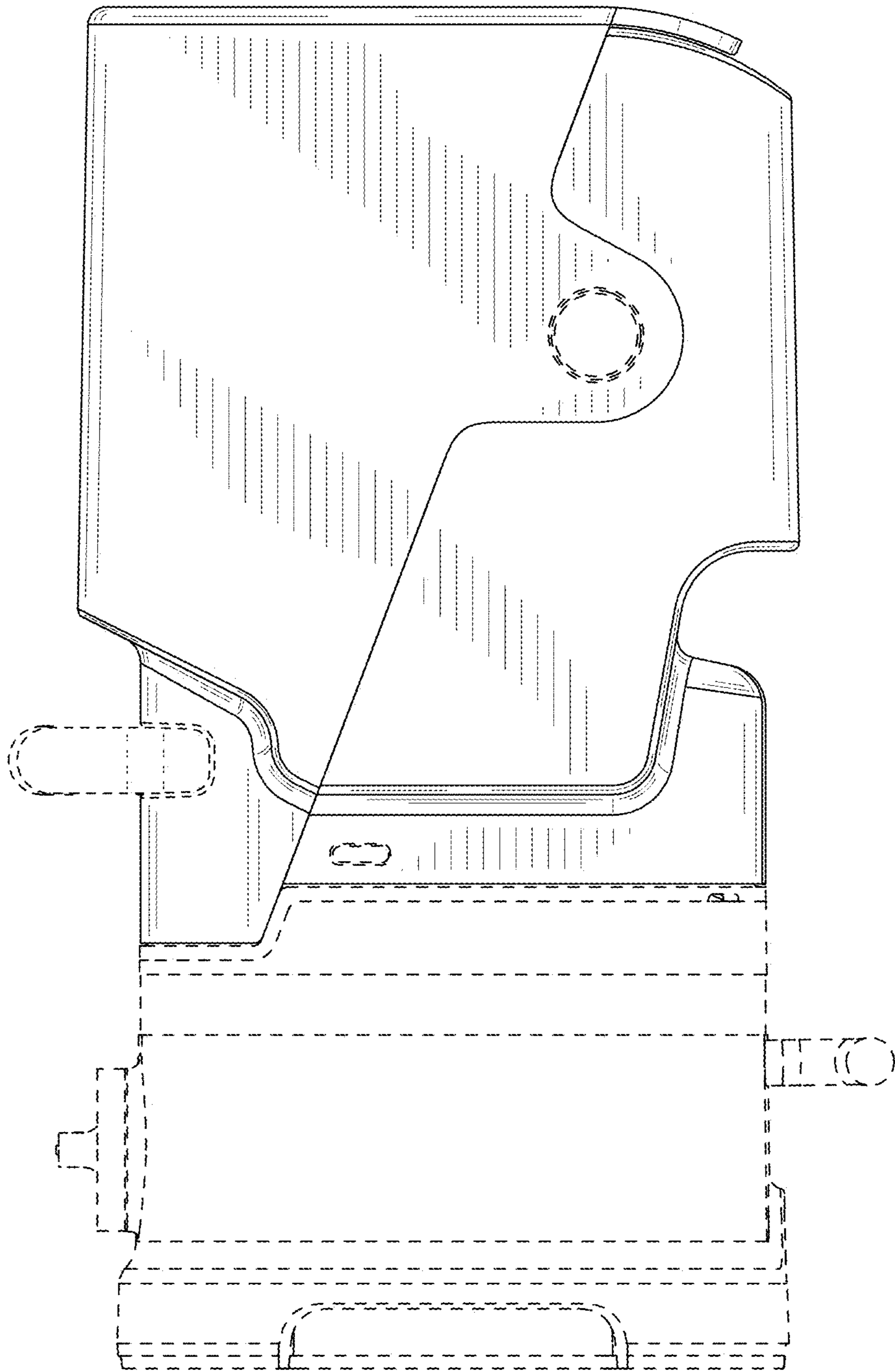


FIG. 6

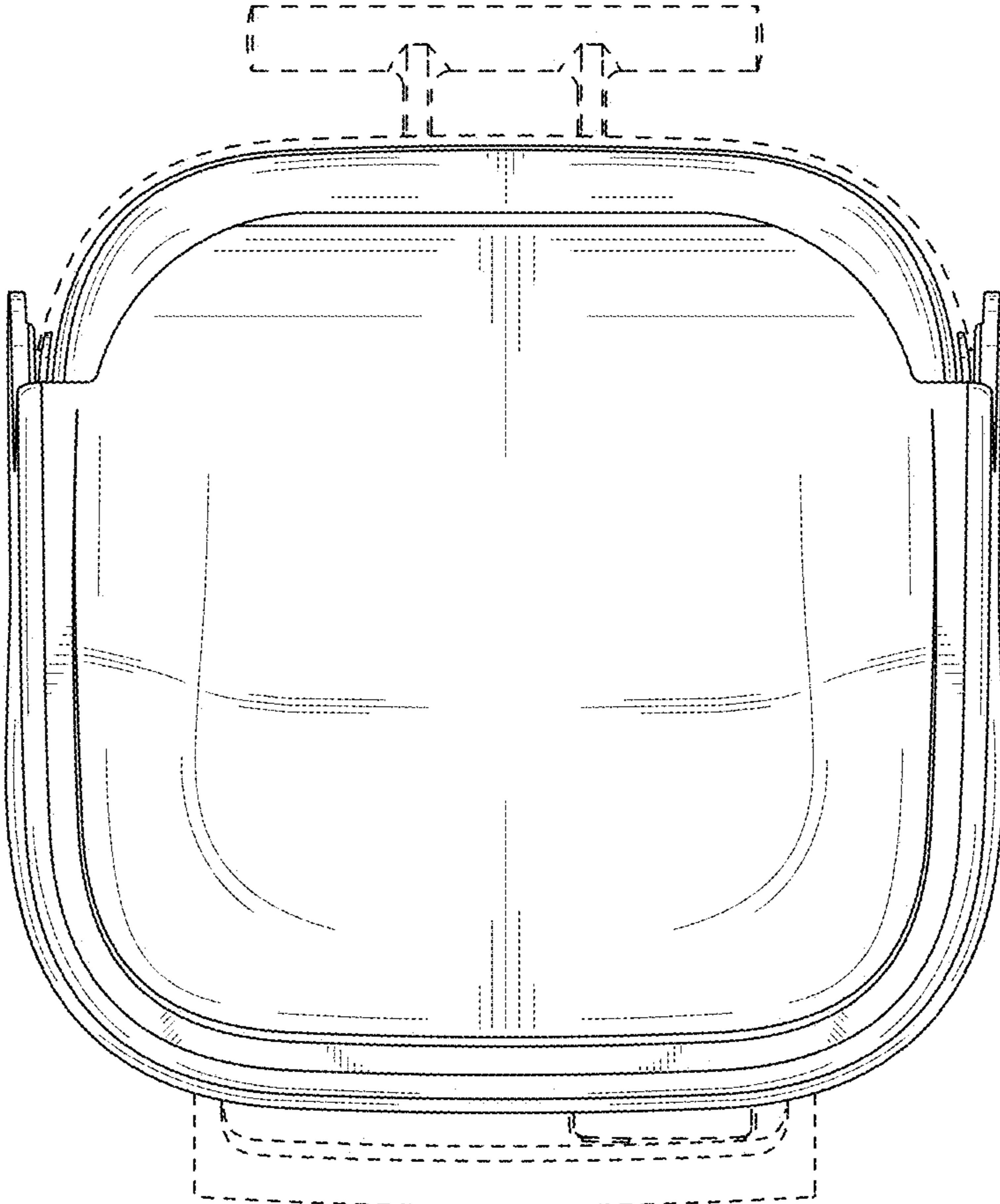


FIG. 7

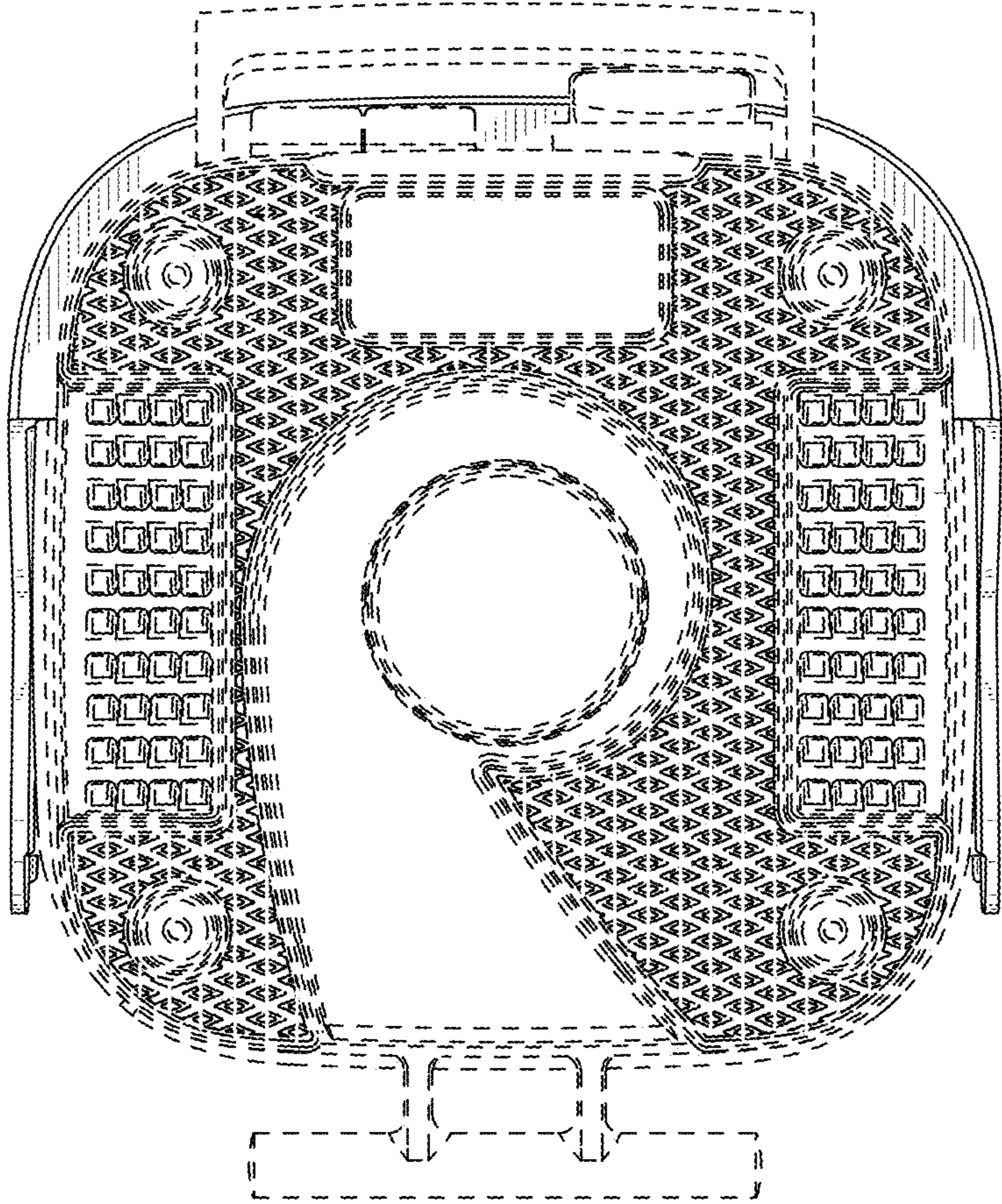


FIG. 8

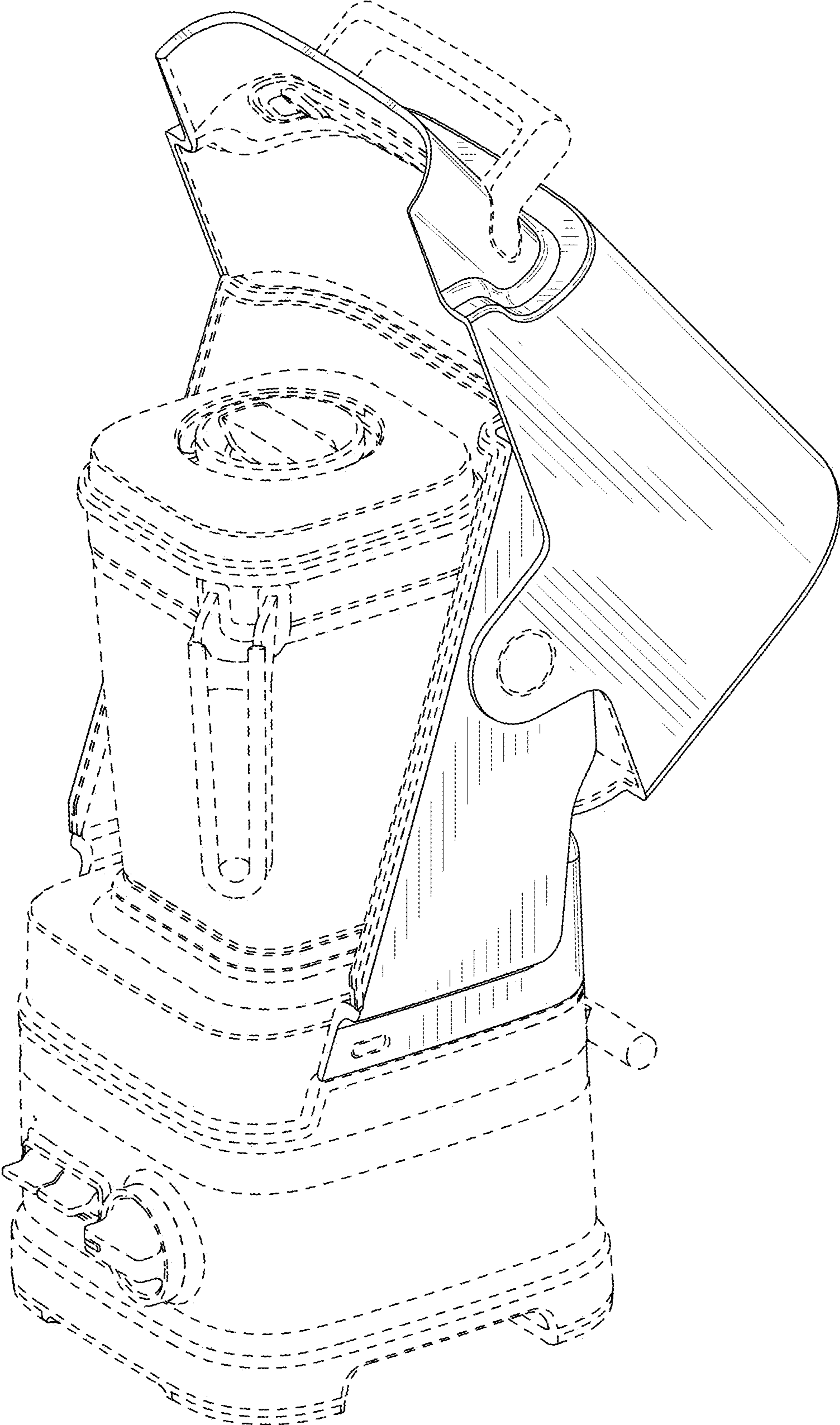


FIG. 9