



US00D922143S

(12) **United States Design Patent**
Monk et al.

(10) **Patent No.:** **US D922,143 S**
(45) **Date of Patent:** **** Jun. 15, 2021**

- (54) **CUTTER FOR FOOD PRODUCTS**
- (71) Applicants: **Lamb Weston, Inc.**, Eagle, ID (US);
Lamb-Weston/Meijer V.O.F., PJ
Kruiningen (NL)
- (72) Inventors: **Samuel Monk**, Richland, WA (US);
Dirk van Dijk, Veghel (NL); **Herbert
Rijneveld**, Huijbergen (NL); **Taylor
Wonders**, Kennewick, WA (US)
- (73) Assignees: **Lamb Weston, Inc.**, Eagle, ID (US);
Lamb-Weston/Meijer V.O.F., PJ
Kruiningen (NL)
- (**) Term: **15 Years**

- (21) Appl. No.: **29/718,057**
- (22) Filed: **Dec. 20, 2019**
- (51) **LOC (13) Cl.** **31-00**
- (52) **U.S. Cl.**
USPC **D7/412; D7/381; D7/383; D7/384**
- (58) **Field of Classification Search**
USPC D1/125; D7/372, 375–387, 412–413,
D7/602, 629, 665–666, 669, 679,
D7/693–694
CPC .. A21C 1/02; A21C 1/04; A23L 19/14; A23N
1/00; A23N 1/02; A23N 4/14; A47J
43/04; A47J 43/25; A47J 43/27; A47J
43/042; A47J 43/044; A47J 43/046; A47J
43/075; A47J 43/0722; A47J 43/0727;
B01F 3/00; B01F 3/0807; B01F 3/0853;
B01F 13/0059; B01F 13/0064; B02C
1/08; B02C 2/04; B02C 4/42; B02C
4/142; B02C 4/143; B02C 4/423; B02C
13/1835; B26D 1/0006; B26D 3/22;
B26D 7/0641; B26D 7/2614; B28C 5/10;
B28C 5/12; B28C 5/14; B28C 5/16
See application file for complete search history.

- (56) **References Cited**
U.S. PATENT DOCUMENTS
1,159,869 A 2/1875 Vuillier
2,720,901 A 10/1955 Heller
2,769,714 A * 11/1956 Stahmer A23L 19/14
426/144

(Continued)

FOREIGN PATENT DOCUMENTS

AU	1092492 A	9/1992
AU	2623092 A	4/1993

(Continued)

Primary Examiner — Ricky Pham

(74) *Attorney, Agent, or Firm* — Ryan T. Grace; Advent,
LLP

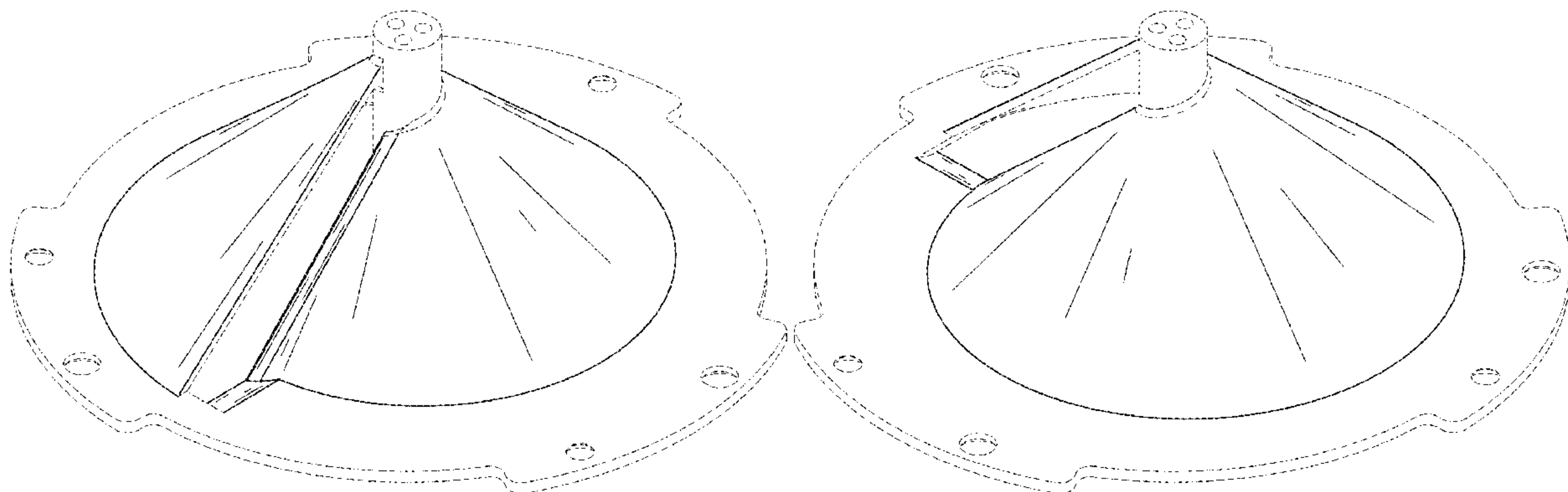
(57) **CLAIM**

The ornamental design for a cutter for food products, as
shown and described.

DESCRIPTION

FIG. 1 is an isometric view of a cutter for food products.
FIG. 2 is another isometric view of the cutter for food
products of FIG. 1.
FIG. 3 is a top plan view of the cutter for food products of
FIG. 1.
FIG. 4 is a bottom view of the cutter for food products of
FIG. 1.
FIG. 5 is a front elevation view of the cutter for food
products of FIG. 1.
FIG. 6 is a rear elevation view of the cutter for food products
of FIG. 1.
FIG. 7 is a left side elevation view of the cutter for food
products of FIG. 1; and,
FIG. 8 is a right side elevation view of a cutter for food
products.
Portions of FIGS. 1 through 8 are shown in broken lines and
dash-dot-dash boundary lines illustrating portions of the
article that form no part of the claimed design.

1 Claim, 8 Drawing Sheets



(56)

References Cited

FOREIGN PATENT DOCUMENTS

U.S. PATENT DOCUMENTS					
			AU	645657 B2	1/1994
			AU	652079 B2	8/1994
3,680,615	A	8/1972 Catalina et al.	AU	2011283050 A1	2/2013
3,687,688	A	8/1972 Stapley et al.	AU	2012323311 A1	4/2014
3,933,085	A	1/1976 Rejsa	AU	2011283050 B2	9/2015
3,952,621	A	4/1976 Chambos	CA	1308000 C	9/1992
4,387,111	A	6/1983 Mullender	CA	2060668 A1	9/1992
5,046,388	A	9/1991 Mendenhall	CA	2466381 A1	11/1992
5,060,563	A	10/1991 Plant et al.	CA	2080789 A1	4/1993
5,088,372	A	2/1992 Lund et al.	CA	2102600 C	2/2004
5,097,735	A	3/1992 Mendenhall	CA	2102620 C	3/2004
5,123,521	A	6/1992 Mendenhall	CA	2102602 C	12/2004
5,138,940	A	8/1992 Geissler et al.	CA	2805657 A1	2/2012
5,167,177	A	12/1992 Cimperman et al.	CA	2850796 A1	4/2013
5,181,458	A	1/1993 Plant et al.	CN	2408695 Y	12/2000
5,211,098	A	5/1993 Mendenhall	CN	103038031 A	4/2013
5,211,278	A	5/1993 Mendenhall	CN	104010780 A	8/2014
5,224,409	A	7/1993 Cimperman et al.	CN	104010780 B	7/2016
5,228,937	A	7/1993 Passeno	DE	9214810 U1	1/1993
5,275,071	A	1/1994 Plant et al.	DE	69210817 T2	11/1996
5,293,803	A *	3/1994 Foster B26D 1/0006	EP	0400722 A2	12/1990
		83/356.3	EP	0505313 A2	9/1992
5,296,252	A	3/1994 Mendenhall	EP	0540909 A1	5/1993
5,473,967	A	12/1995 Frey et al.	EP	0586572 A1	3/1994
D374,150	S *	10/1996 Lillelund D7/387	EP	0693348 A1	1/1996
5,896,801	A *	4/1999 Jacko B26D 3/22	EP	0540909 B1	5/1996
		83/356.3	EP	0583412 B1	5/1996
6,725,765	B1 *	4/2004 Mendenhall B26D 1/0006	EP	0583365 B1	10/1996
		83/402	EP	0400722 B1	1/1998
6,854,383	B2	2/2005 Wang	EP	0693348 B1	5/2000
D701,087	S *	3/2014 Audette D7/412	EP	2598295 A1	6/2013
9,089,987	B2	7/2015 Walker et al.	EP	2766154 A1	8/2014
D799,889	S *	10/2017 McClory D7/375	GB	2258393 A	2/1993
D813,491	S *	3/2018 Walker D1/125	GB	2258393 B	11/1994
9,943,978	B2 *	4/2018 Walker B26D 7/2614	JP	H0387169 A	4/1991
10,485,382	B2 *	11/2019 Allen B26D 7/0641	MX	2014004329 A	2/2015
D894,681	S *	9/2020 Julian D7/412	WO	8809711 A1	12/1988
D895,358	S *	9/2020 Julian D7/412	WO	9201392 A1	2/1992
2006/0196335	A1	9/2006 Jones	WO	9219426 A1	11/1992
2006/0283339	A1 *	12/2006 Jensen A23N 4/14	WO	9219427 A1	11/1992
		99/537	WO	9219500 A1	11/1992
2012/0024125	A1	2/2012 Walker et al.	WO	2012015661 A1	2/2012
2013/0087032	A1	4/2013 Walker et al.	WO	2013055740 A1	4/2013
2015/0246456	A1	9/2015 Walker et al.	WO	2017023938 A1	2/2017
2016/0016326	A1	1/2016 Walker et al.			

* cited by examiner

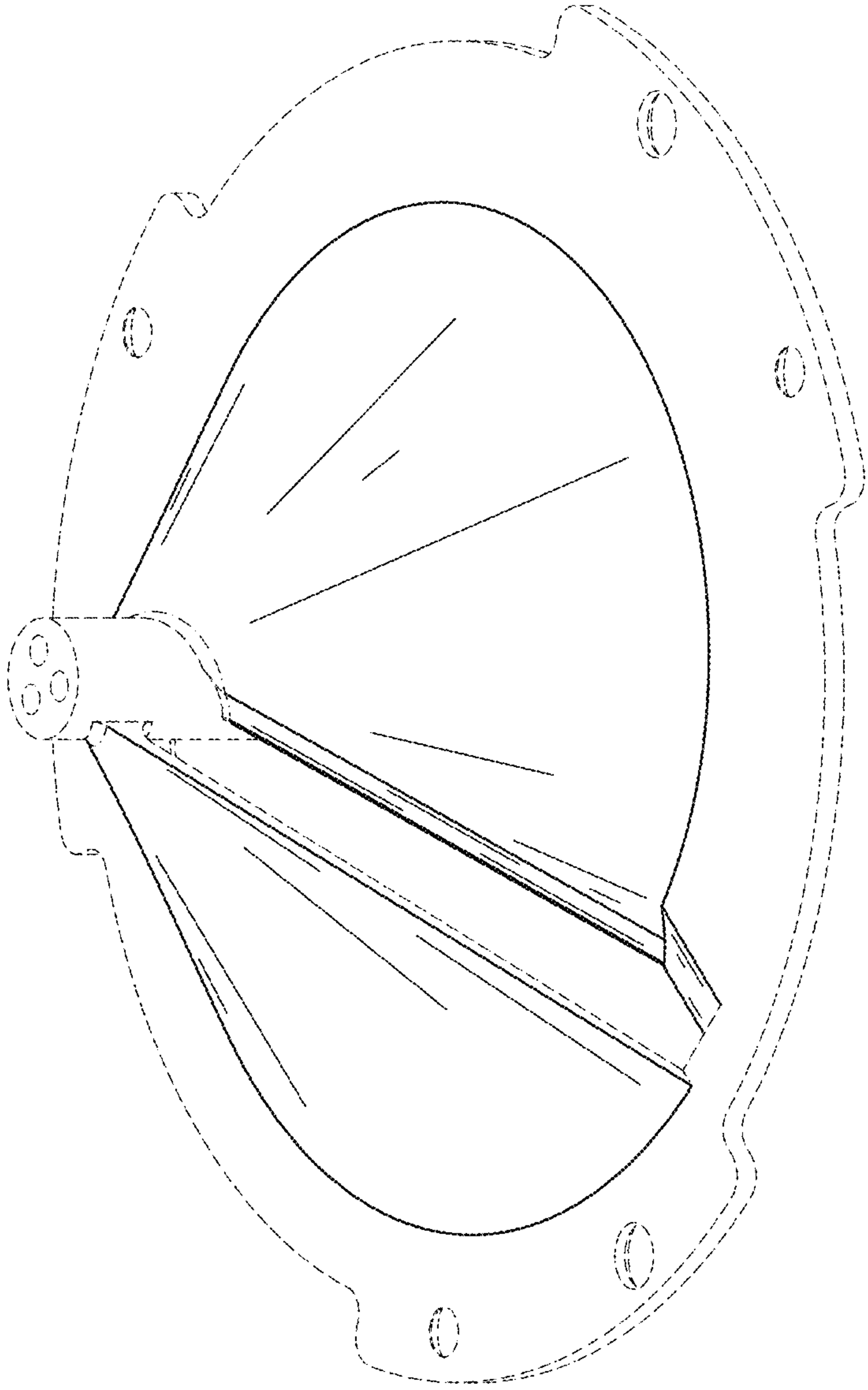


FIG. 1

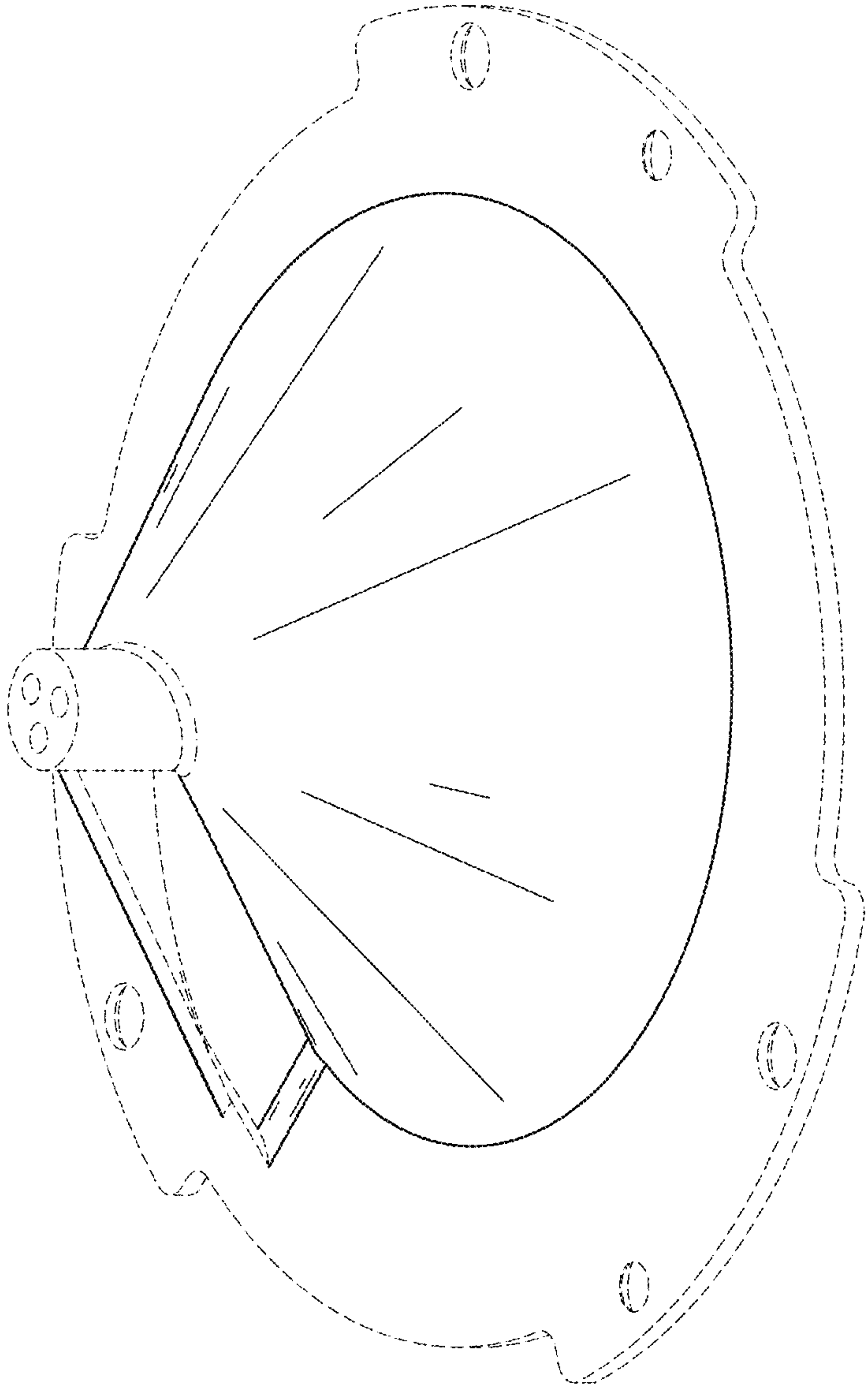


FIG. 2

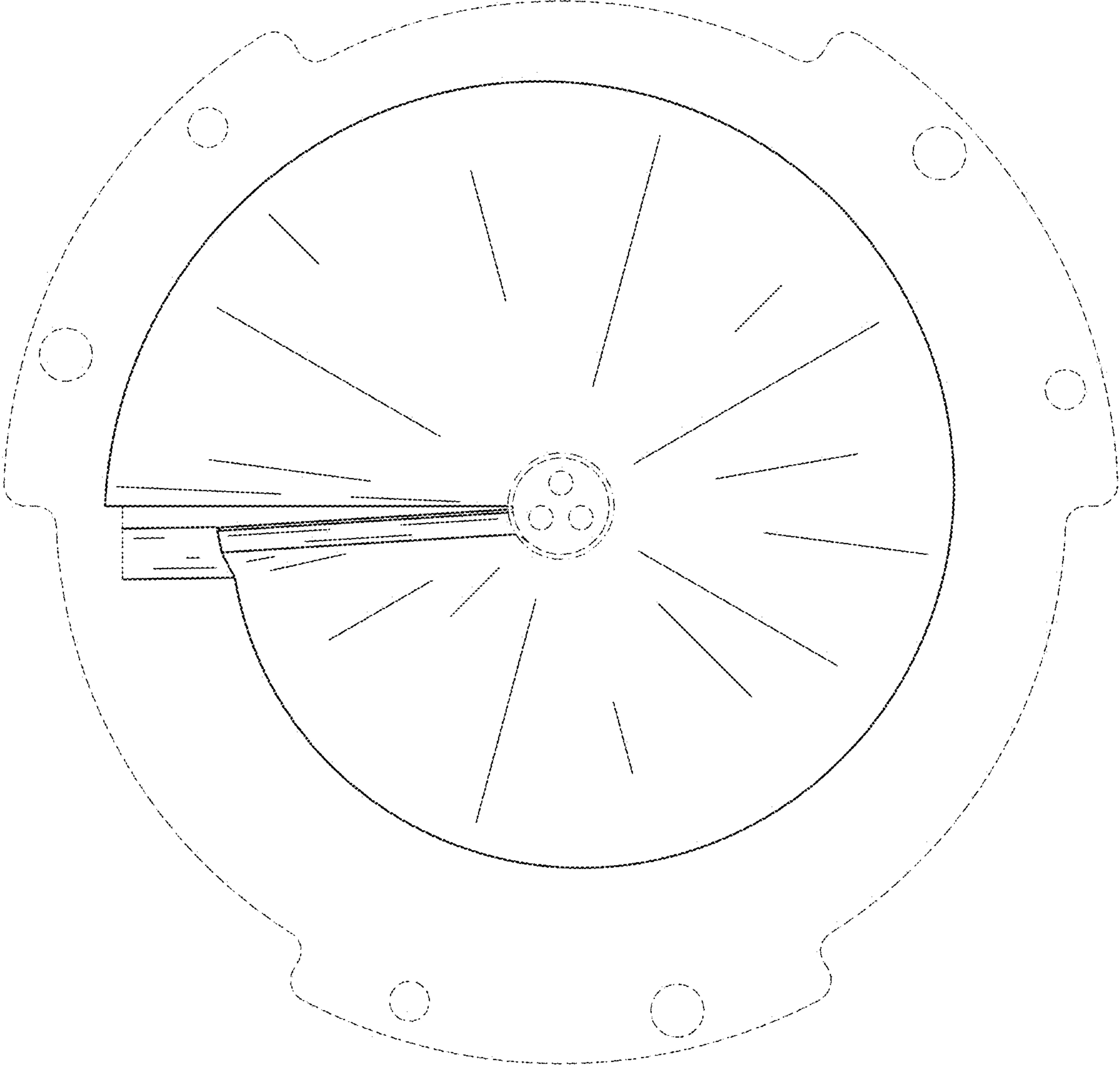


FIG. 3

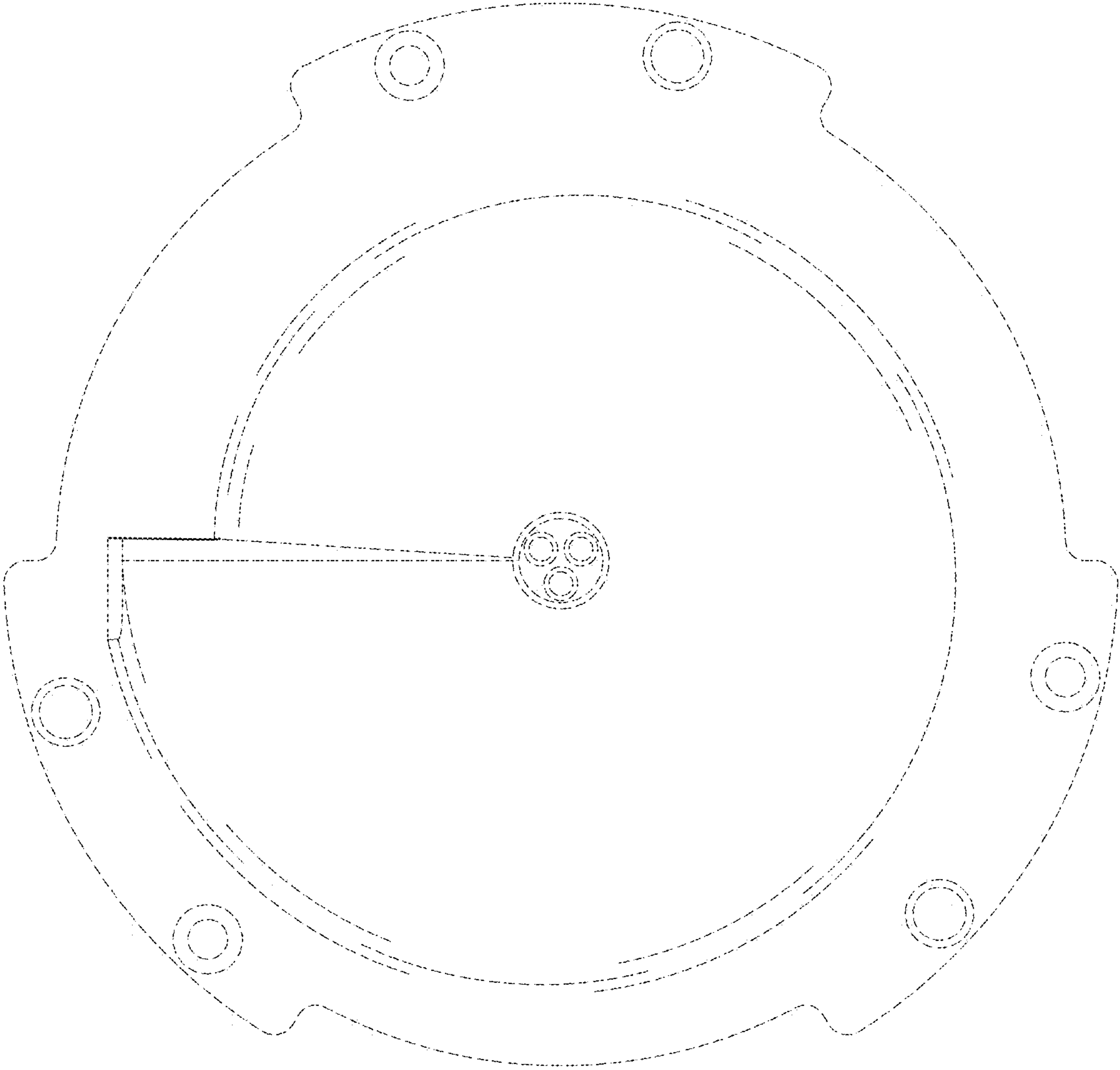


FIG. 4

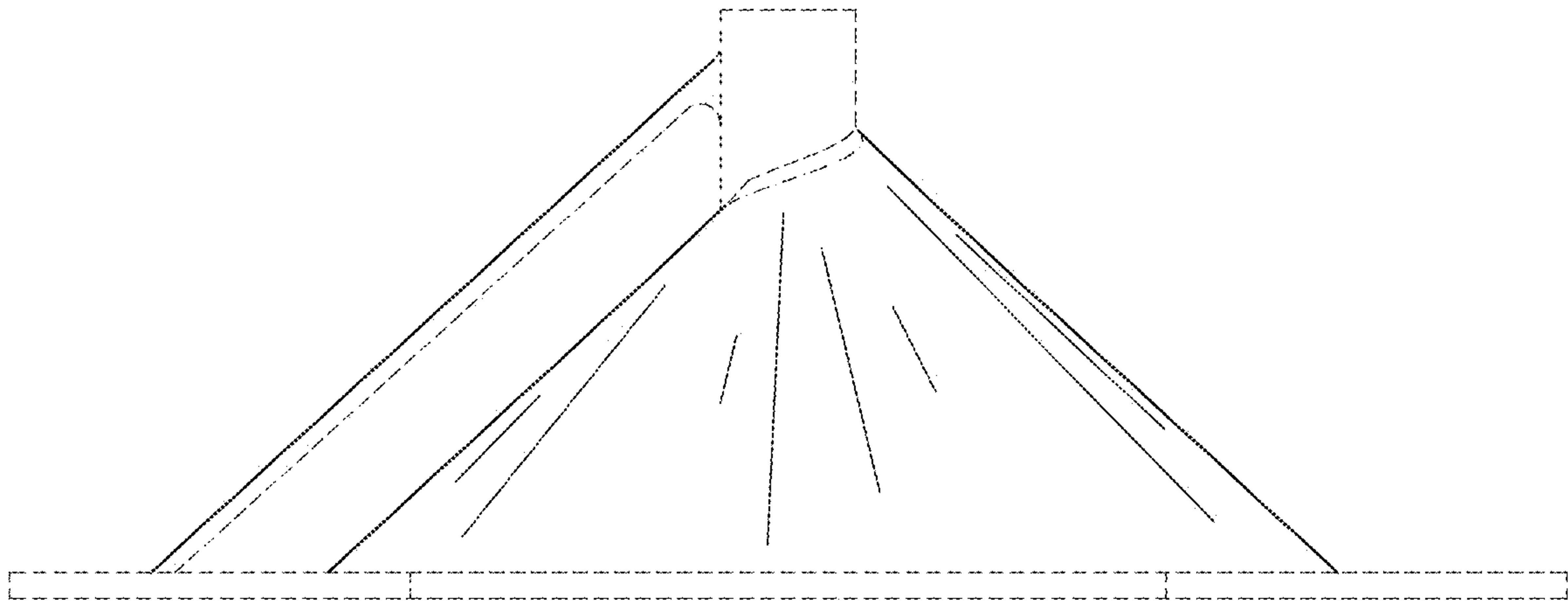


FIG. 5

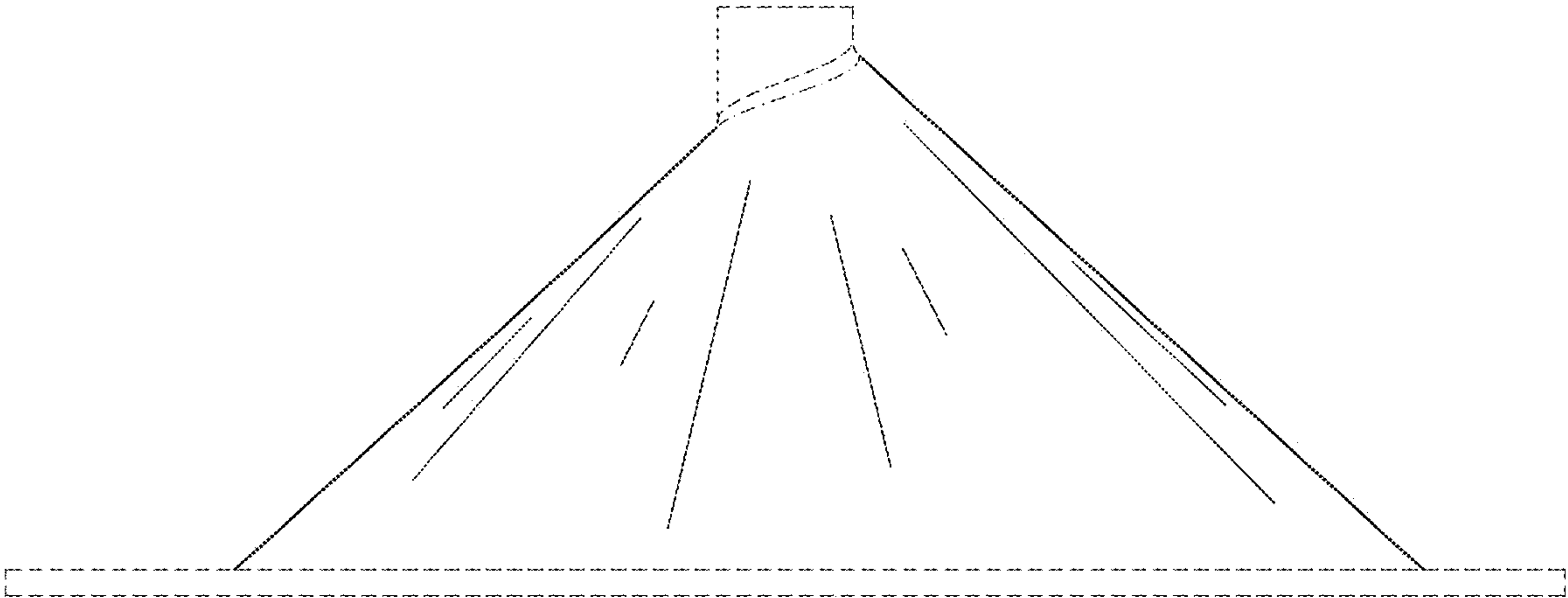


FIG. 6

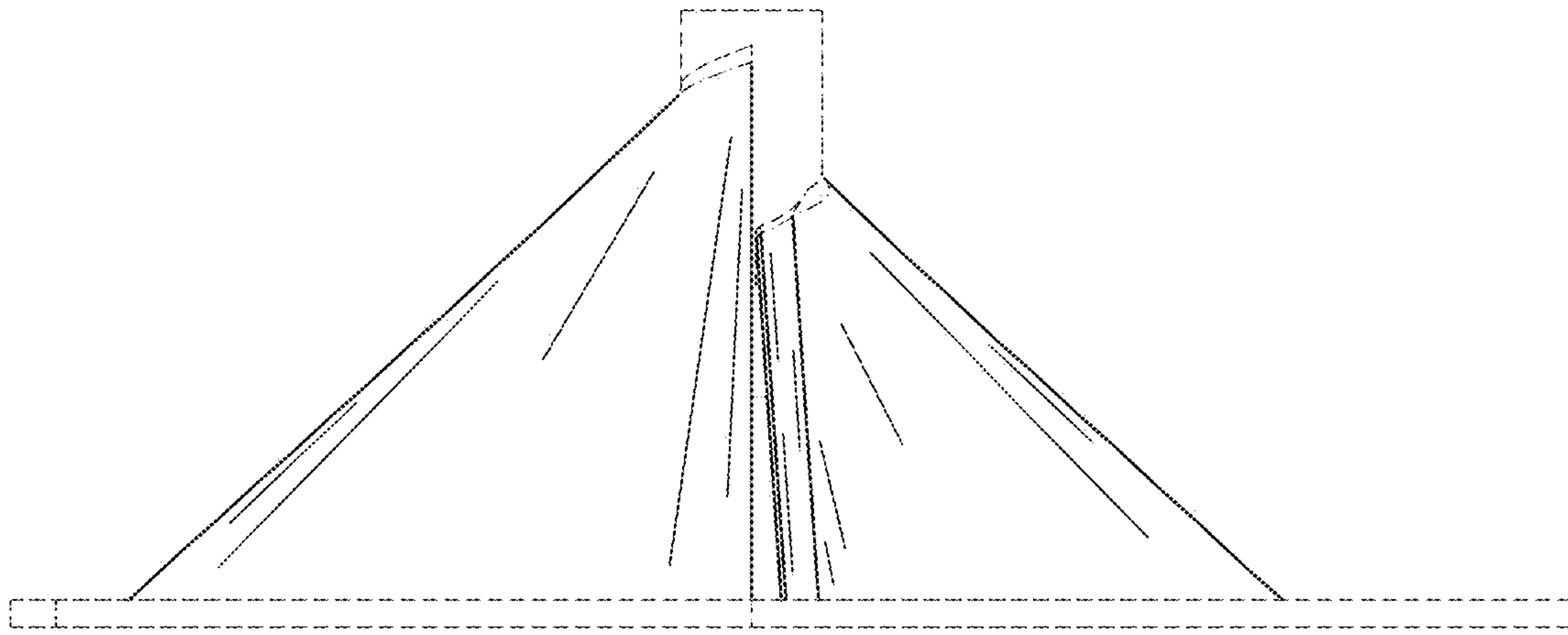


FIG. 7

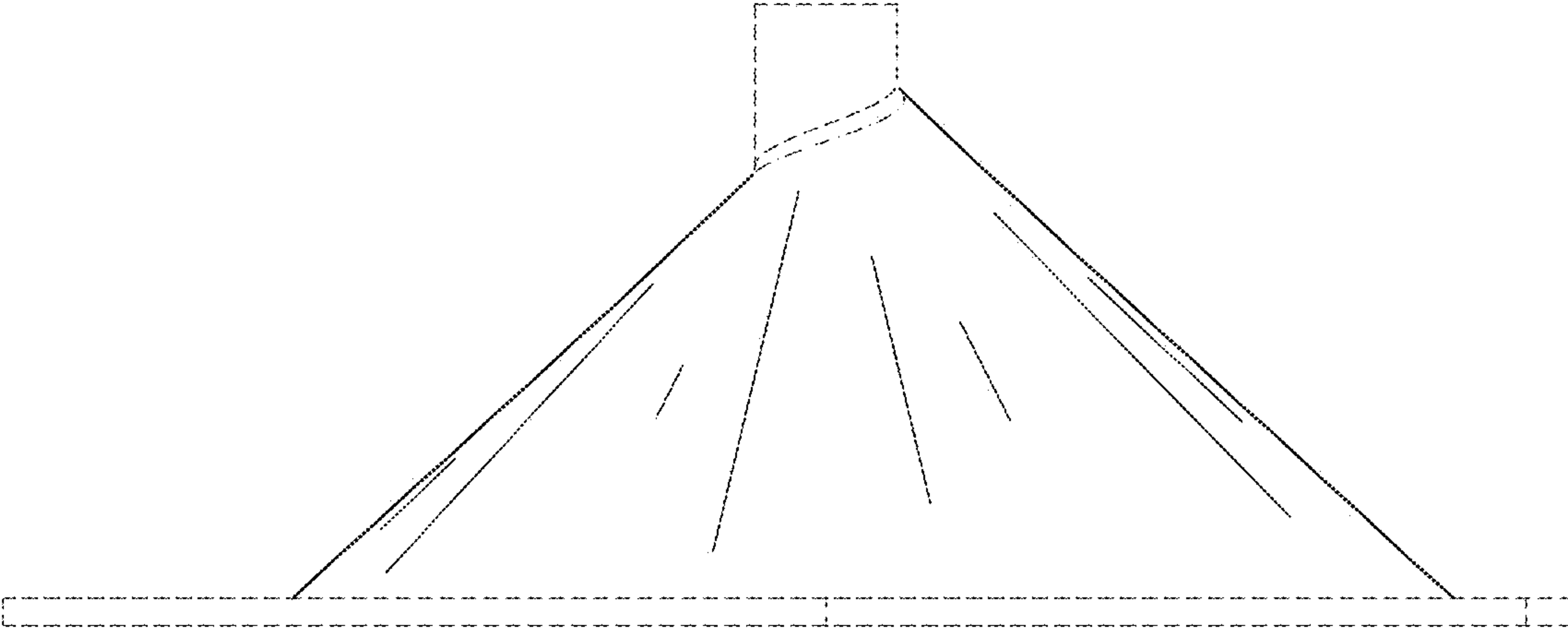


FIG. 8