



US00D922142S

(12) **United States Design Patent**  
**Monk et al.**

(10) **Patent No.:** **US D922,142 S**  
(45) **Date of Patent:** **\*\* Jun. 15, 2021**

(54) **CUTTER FOR FOOD PRODUCTS**  
(71) Applicant: **Lamb Weston, Inc.**, Eagle, ID (US)  
(72) Inventors: **Samuel Monk**, Richland, WA (US);  
**Taylor Wonders**, Kennewick, WA (US);  
**Maryann Stanko**, Richland, WA (US)  
(73) Assignee: **Lamb Weston, Inc.**, Eagle, ID (US)

(\*\*) Term: **15 Years**

(21) Appl. No.: **29/718,053**

(22) Filed: **Dec. 20, 2019**

(51) **LOC (13) Cl.** ..... **31-00**

(52) **U.S. Cl.**  
USPC ..... **D7/412; D7/381; D7/383; D7/384**

(58) **Field of Classification Search**  
USPC ..... D1/125; D7/372, 375-387, 412-413,  
D7/602, 629, 665-666, 669, 679,  
D7/693-694

CPC .. A21C 1/02; A21C 1/04; A23L 19/14; A23N  
1/00; A23N 1/02; A23N 4/14; A47J  
43/04; A47J 43/25; A47J 43/27; A47J  
43/042; A47J 43/044; A47J 43/046; A47J  
43/075; A47J 43/0722; A47J 43/0727;  
B01F 3/00; B01F 3/0807; B01F 3/0853;  
B01F 13/0059; B01F 13/0064; B02C  
1/08; B02C 2/04; B02C 4/42; B02C  
4/142; B02C 4/143; B02C 4/423; B02C  
13/1835; B26D 1/0006; B26D 3/22;  
B26D 7/0641; B26D 7/2614; B28C 5/10;  
B28C 5/12; B28C 5/14; B28C 5/16

See application file for complete search history.

(56) **References Cited**

**U.S. PATENT DOCUMENTS**

159,869 A 2/1875 Vuillier  
2,720,901 A 10/1955 Heller

2,769,714 A \* 11/1956 Stahmer ..... A23L 19/14  
426/144  
3,680,615 A 8/1972 Catalina et al.  
3,687,688 A 8/1972 Stapley et al.  
3,933,085 A 1/1976 Rejsa  
3,952,621 A 4/1976 Chambos  
(Continued)

**FOREIGN PATENT DOCUMENTS**

AU 1092492 A 9/1992  
AU 2623092 A 4/1993  
(Continued)

*Primary Examiner* — Ricky Pham

(74) *Attorney, Agent, or Firm* — Ryan T. Grace; Advent,  
LLP

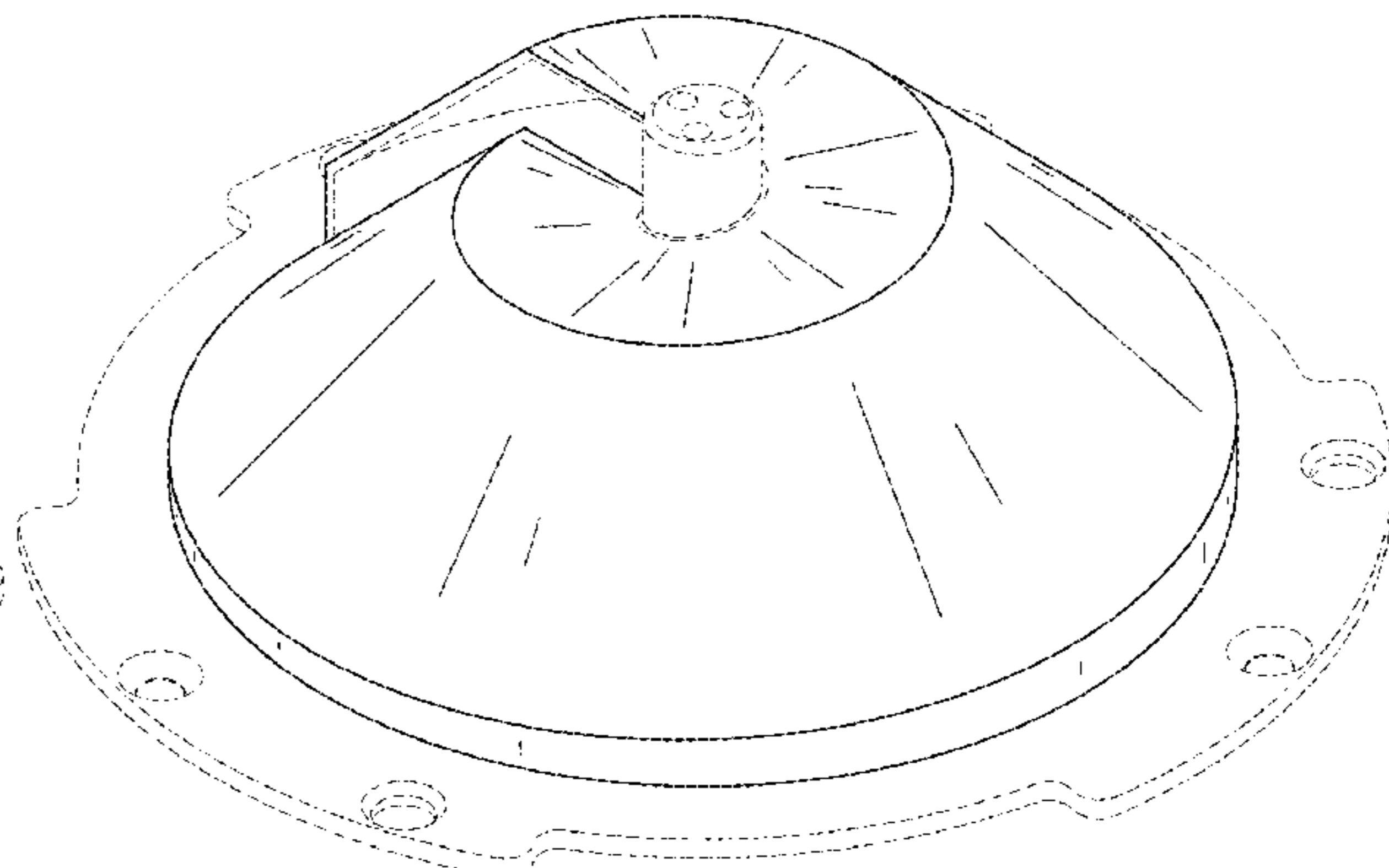
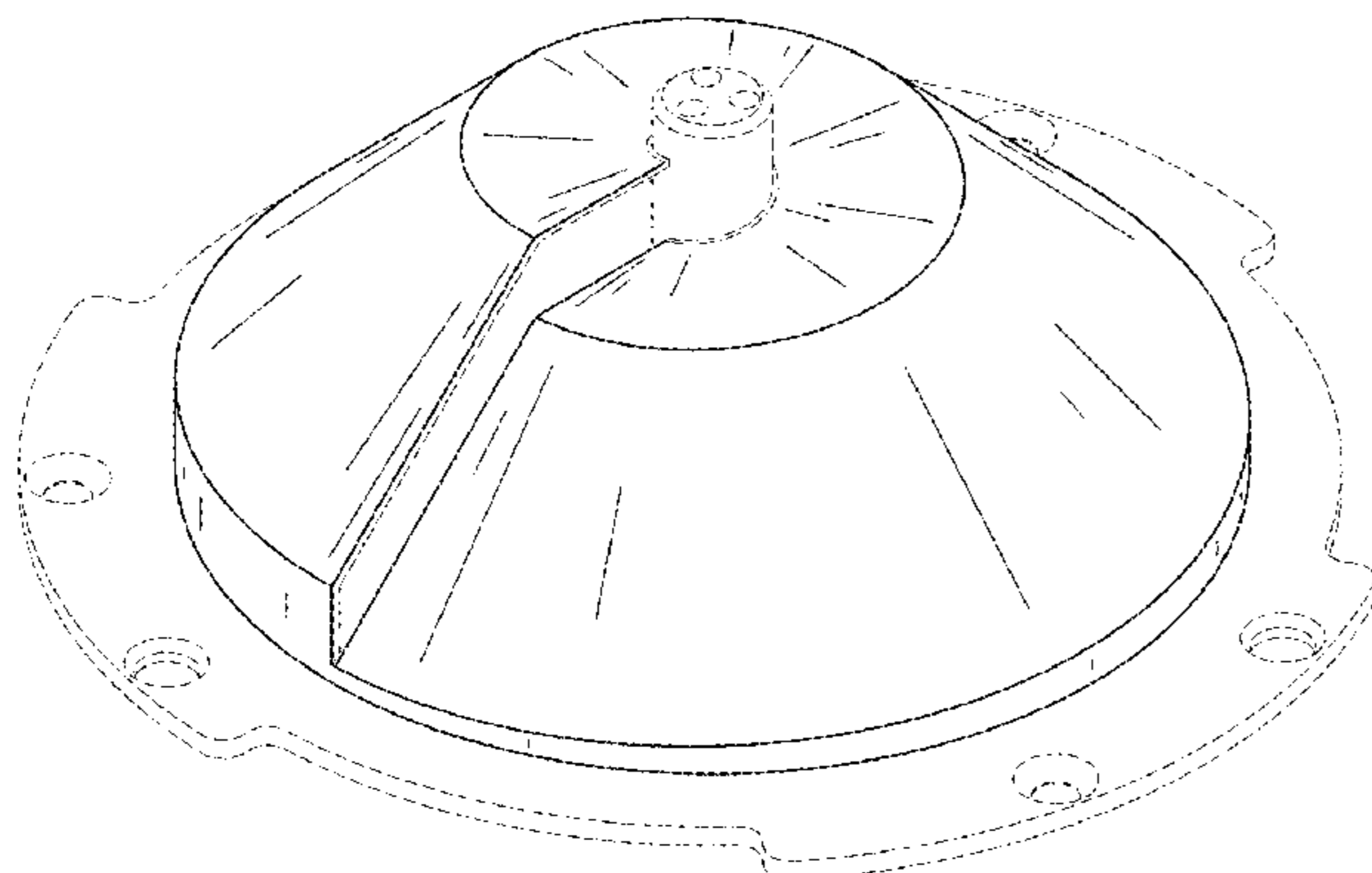
(57) **CLAIM**

The ornamental design for a cutter for food products, as  
shown and described.

**DESCRIPTION**

FIG. 1 is an isometric view of a cutter for food products.  
FIG. 2 is another isometric view of the cutter for food  
products of FIG. 1.  
FIG. 3 is a top plan view of the cutter for food products of  
FIG. 1.  
FIG. 4 is a bottom view of the cutter for food products of  
FIG. 1.  
FIG. 5 is a front elevation view of the cutter for food  
products of FIG. 1.  
FIG. 6 is a rear elevation view of the cutter for food products  
of FIG. 1.  
FIG. 7 is a left side elevation view of the cutter for food  
products of FIG. 1; and,  
FIG. 8 is a right side elevation view of a cutter for food  
products.  
Portions of FIGS. 1 through 8 are shown in broken lines and  
dash-dot-dash boundary lines illustrating portions of the  
article that form no part of the claimed design.

**1 Claim, 8 Drawing Sheets**



(56)

References Cited

FOREIGN PATENT DOCUMENTS

U.S. PATENT DOCUMENTS					
4,387,111	A	6/1983 Mullender	AU	645657	B2 1/1994
5,046,388	A	9/1991 Mendenhall	AU	652079	B2 8/1994
5,060,563	A	10/1991 Plant et al.	AU	2011283050	A1 2/2013
5,088,372	A	2/1992 Lund et al.	AU	2012323311	A1 4/2014
5,097,735	A	3/1992 Mendenhall	AU	2011283050	B2 9/2015
5,123,521	A	6/1992 Mendenhall	CA	1308000	C 9/1992
5,138,940	A	8/1992 Geissler et al.	CA	2060668	A1 9/1992
5,167,177	A	12/1992 Cimperman et al.	CA	2466381	A1 11/1992
5,181,458	A	1/1993 Plant et al.	CA	2080789	A1 4/1993
5,211,098	A	5/1993 Mendenhall	CA	2102600	C 2/2004
5,211,278	A	5/1993 Mendenhall	CA	2102620	C 3/2004
5,224,409	A	7/1993 Cimperman et al.	CA	2102602	C 12/2004
5,228,937	A	7/1993 Passeno	CA	2805657	A1 2/2012
5,275,071	A	1/1994 Plant et al.	CA	2850796	A1 4/2013
5,293,803	A *	3/1994 Foster ..... B26D 1/0006	CN	2408695	Y 12/2000
		83/356.3	CN	103038031	A 4/2013
5,296,252	A	3/1994 Mendenhall	CN	104010780	A 8/2014
5,473,967	A	12/1995 Frey et al.	CN	104010780	B 7/2016
D374,150	S *	10/1996 Lillelund ..... D7/387	DE	9214810	U1 1/1993
5,896,801	A *	4/1999 Jacko ..... B26D 3/22	DE	69210817	T2 11/1996
		83/356.3	EP	0400722	A2 12/1990
6,725,765	B1 *	4/2004 Mendenhall ..... B26D 1/0006	EP	0505313	A2 9/1992
		83/402	EP	0540909	A1 5/1993
6,854,383	B2	2/2005 Wang	EP	0586572	A1 3/1994
D701,087	S *	3/2014 Audette ..... D7/412	EP	0693348	A1 1/1996
9,089,987	B2	7/2015 Walker et al.	EP	0540909	B1 5/1996
D799,889	S *	10/2017 McClory ..... D7/375	EP	0583412	B1 5/1996
D813,491	S *	3/2018 Walker ..... D1/125	EP	0583365	B1 10/1996
9,943,978	B2 *	4/2018 Walker ..... B26D 7/2614	EP	0400722	B1 1/1998
10,485,382	B2 *	11/2019 Allen ..... B26D 7/0641	EP	0693348	B1 5/2000
D894,681	S *	9/2020 Julian ..... D7/412	EP	2598295	A1 6/2013
D895,358	S *	9/2020 Julian ..... D7/412	EP	2766154	A1 8/2014
2006/0196335	A1	9/2006 Jones	GB	2258393	A 2/1993
2006/0283339	A1 *	12/2006 Jensen ..... A23N 4/14	GB	2258393	B 11/1994
		99/537	JP	H0387169	A 4/1991
2012/0024125	A1	2/2012 Walker et al.	MX	2014004329	A 2/2015
2013/0087032	A1	4/2013 Walker et al.	WO	8809711	A1 12/1988
2015/0246456	A1	9/2015 Walker et al.	WO	9201392	A1 2/1992
2016/0016326	A1	1/2016 Walker et al.	WO	9219426	A1 11/1992
			WO	9219427	A1 11/1992
			WO	9219500	A1 11/1992
			WO	2012015661	A1 2/2012
			WO	2013055740	A1 4/2013
			WO	2017023938	A1 2/2017

\* cited by examiner

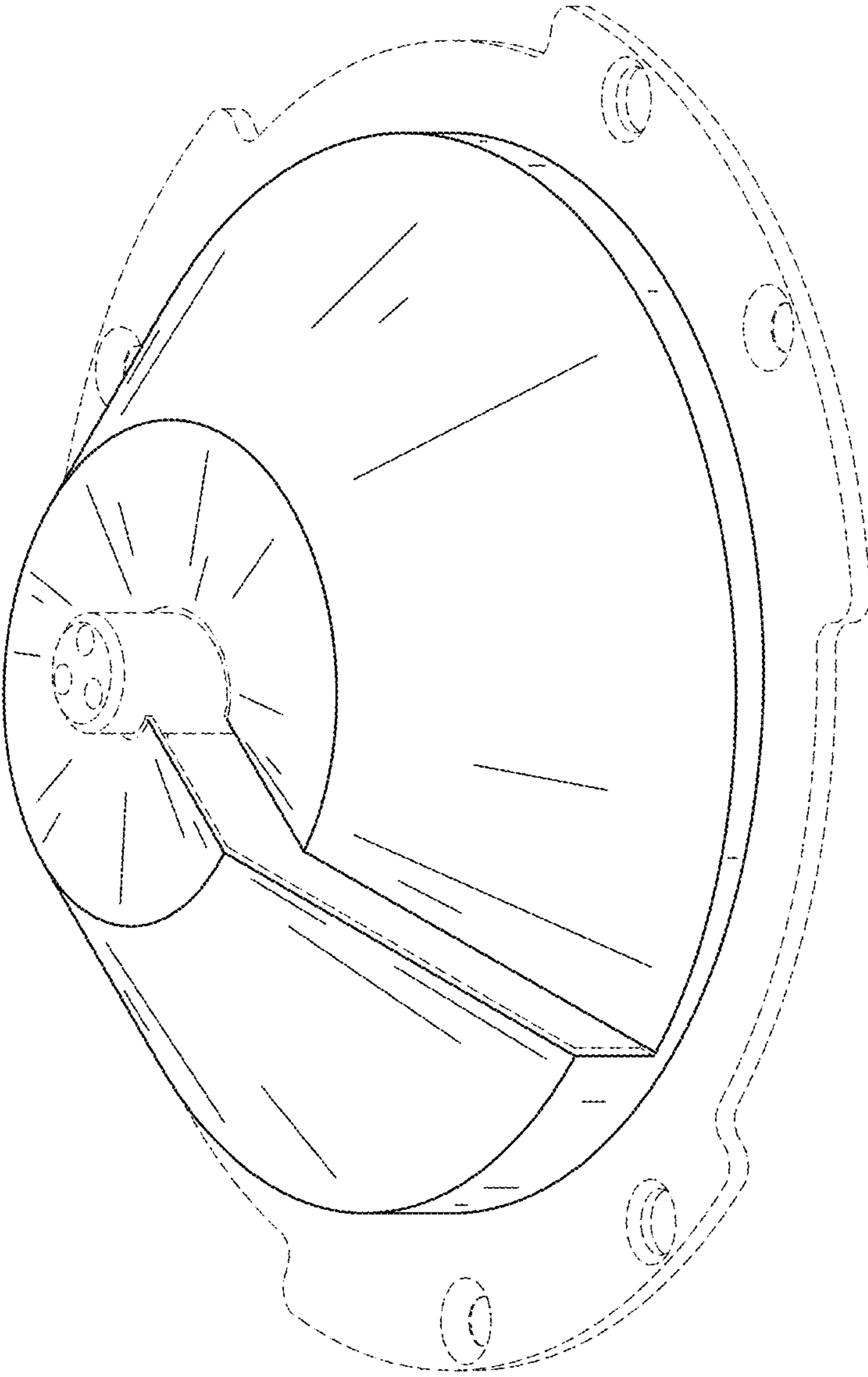


FIG. 1

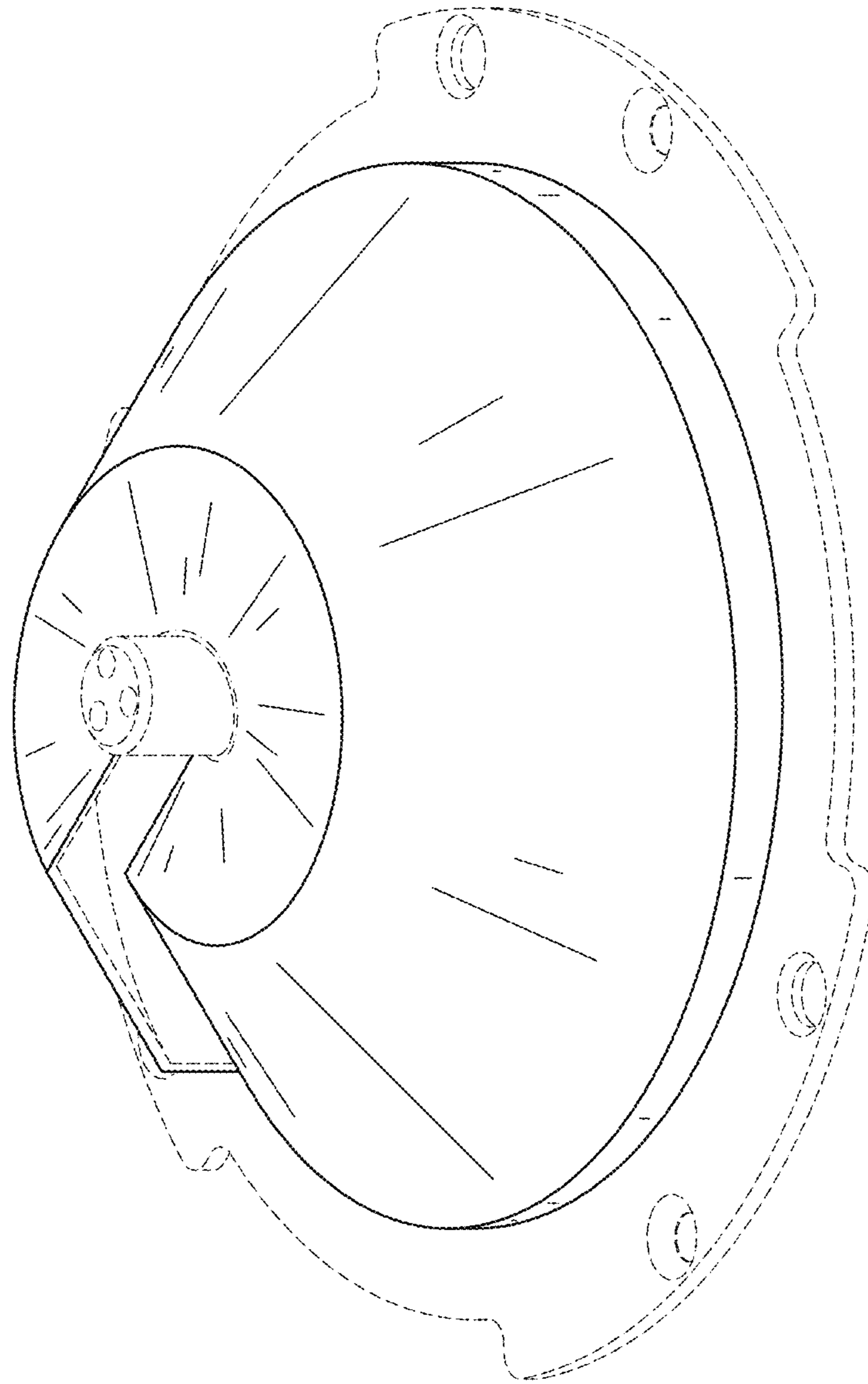


FIG. 2

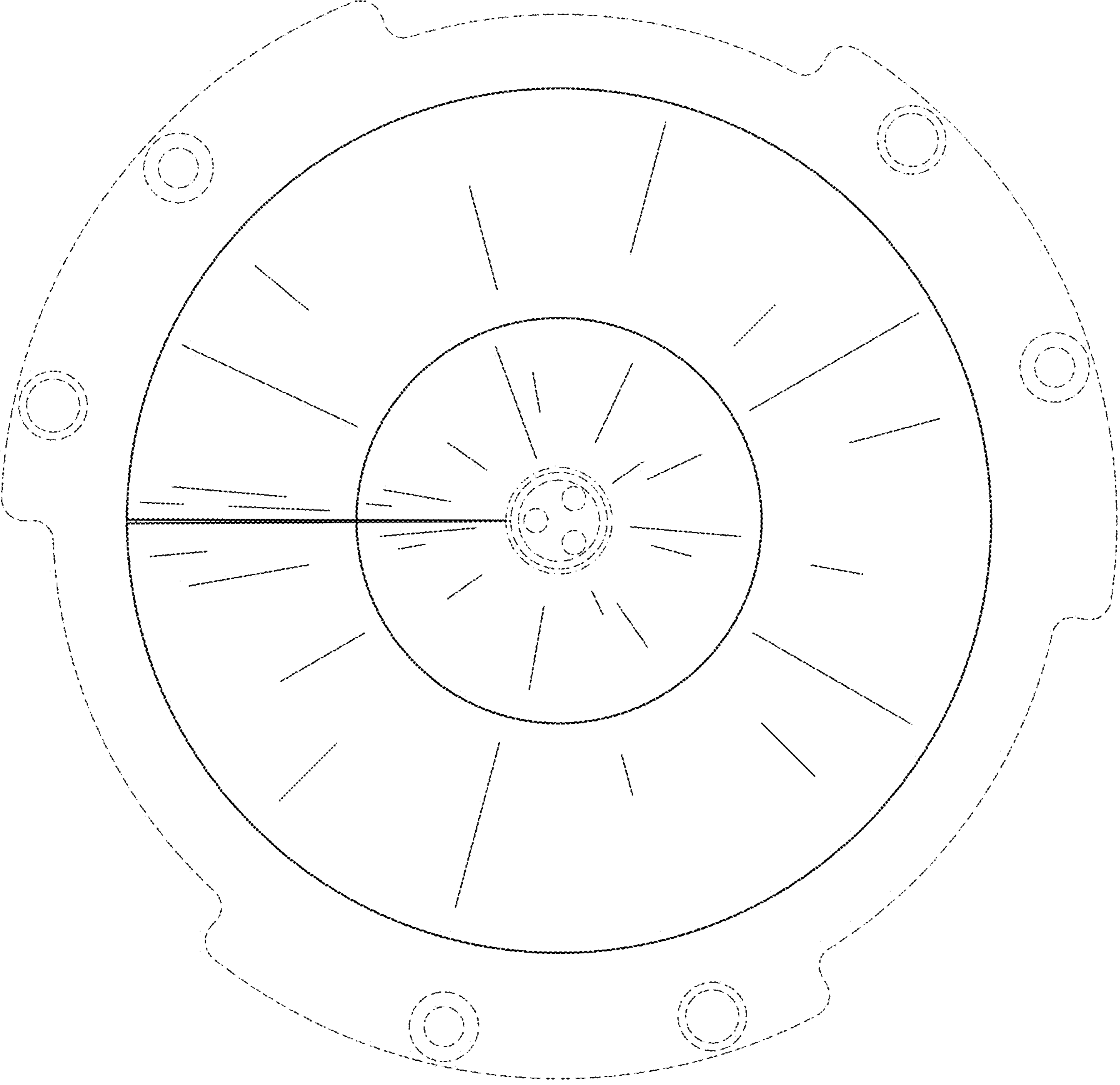


FIG. 3

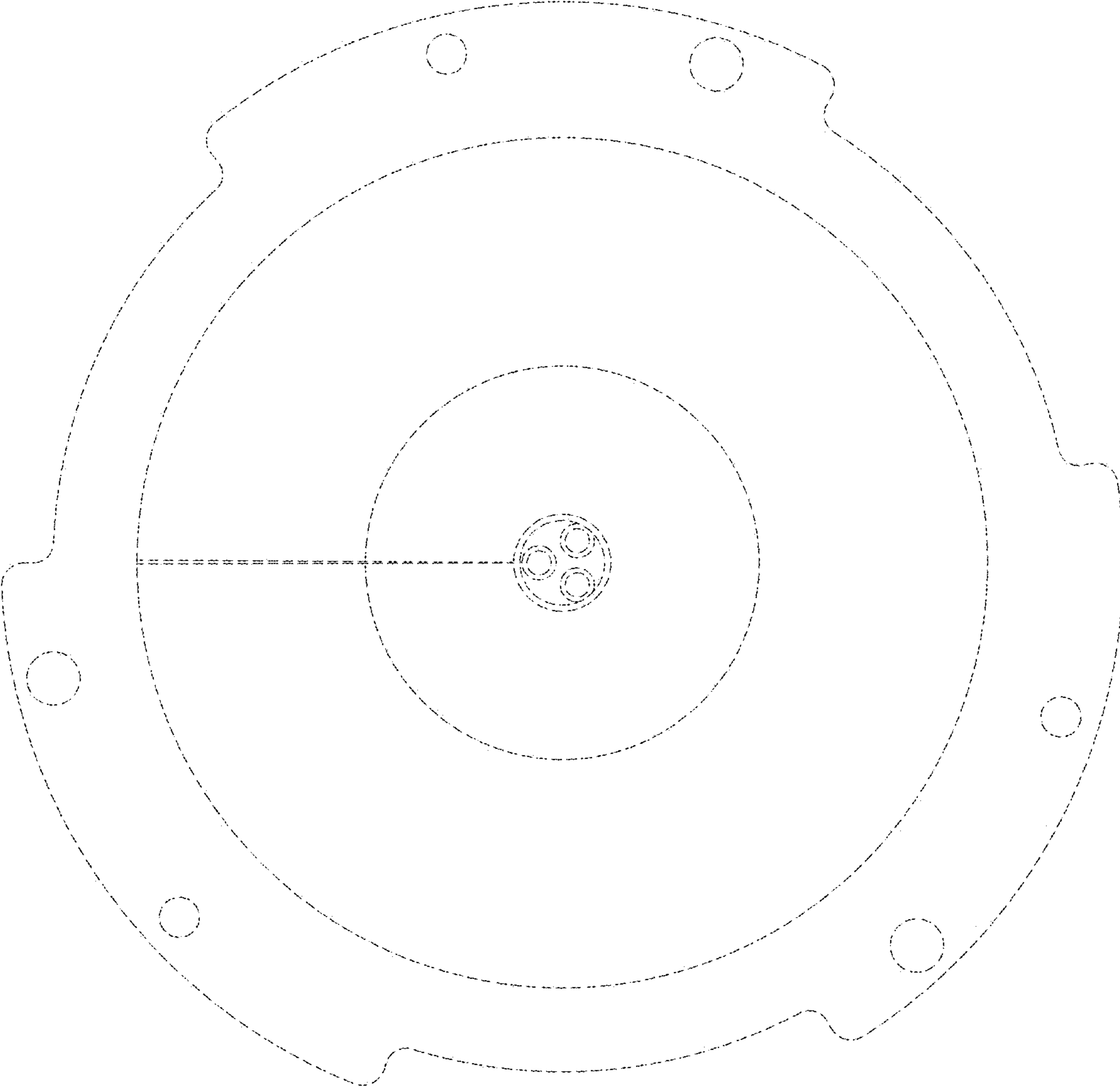
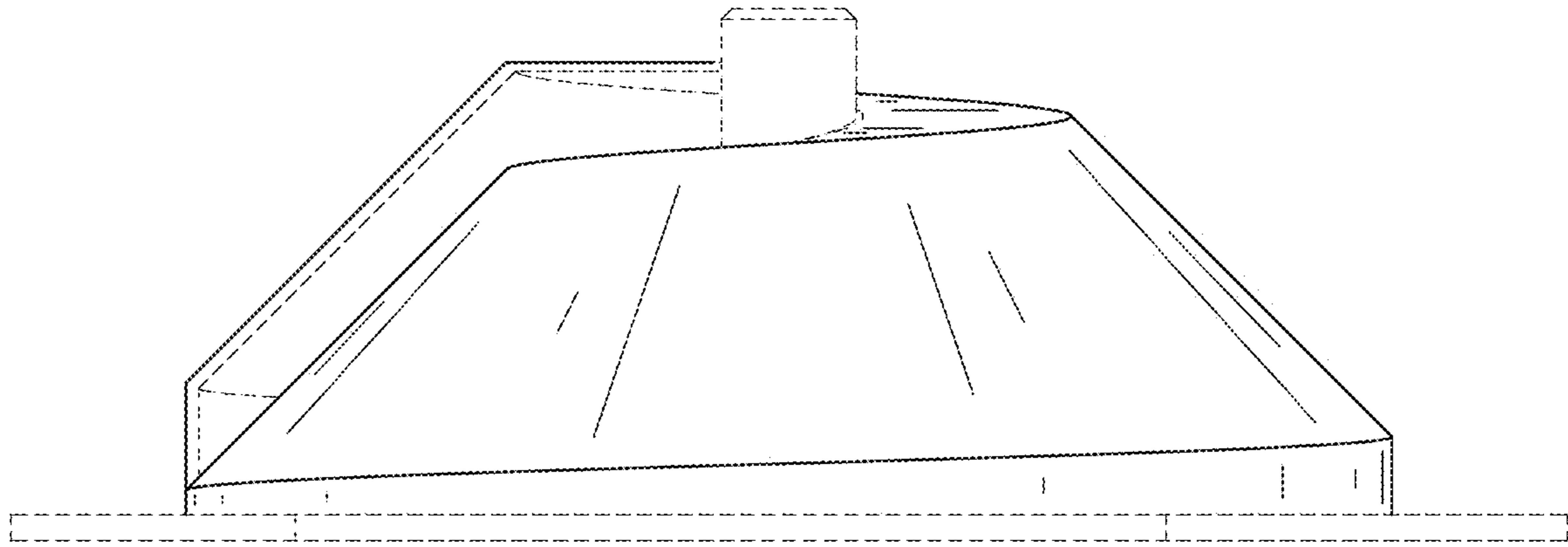
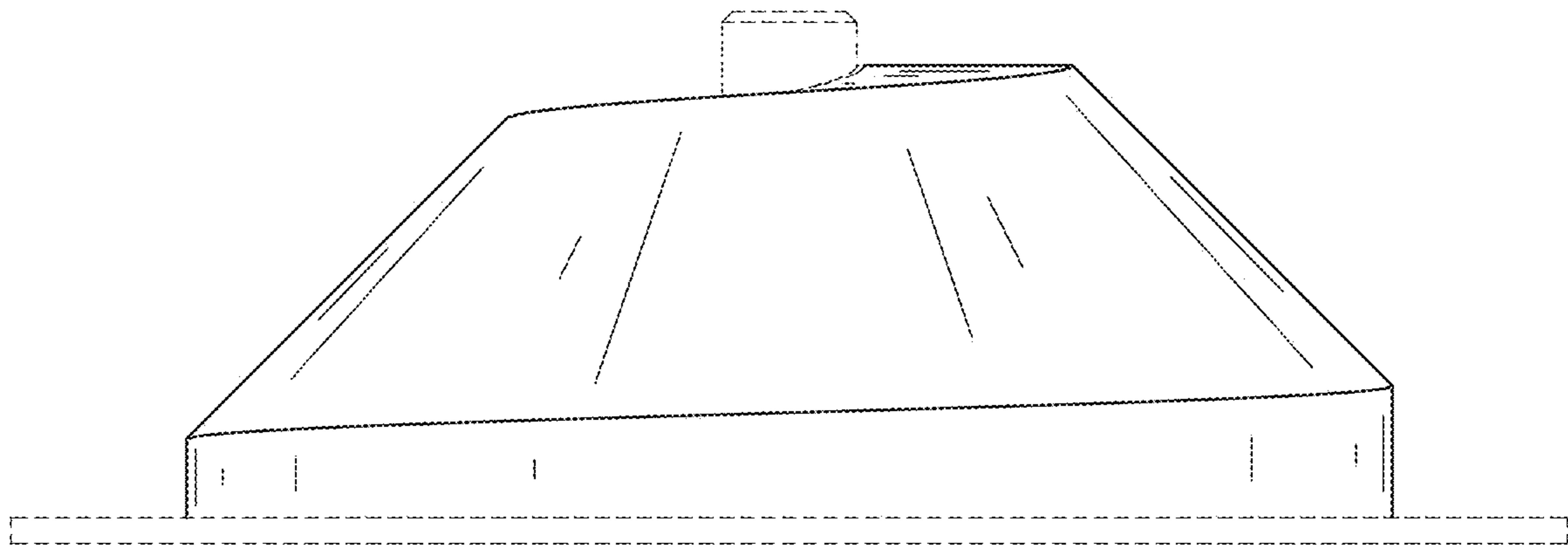


FIG. 4

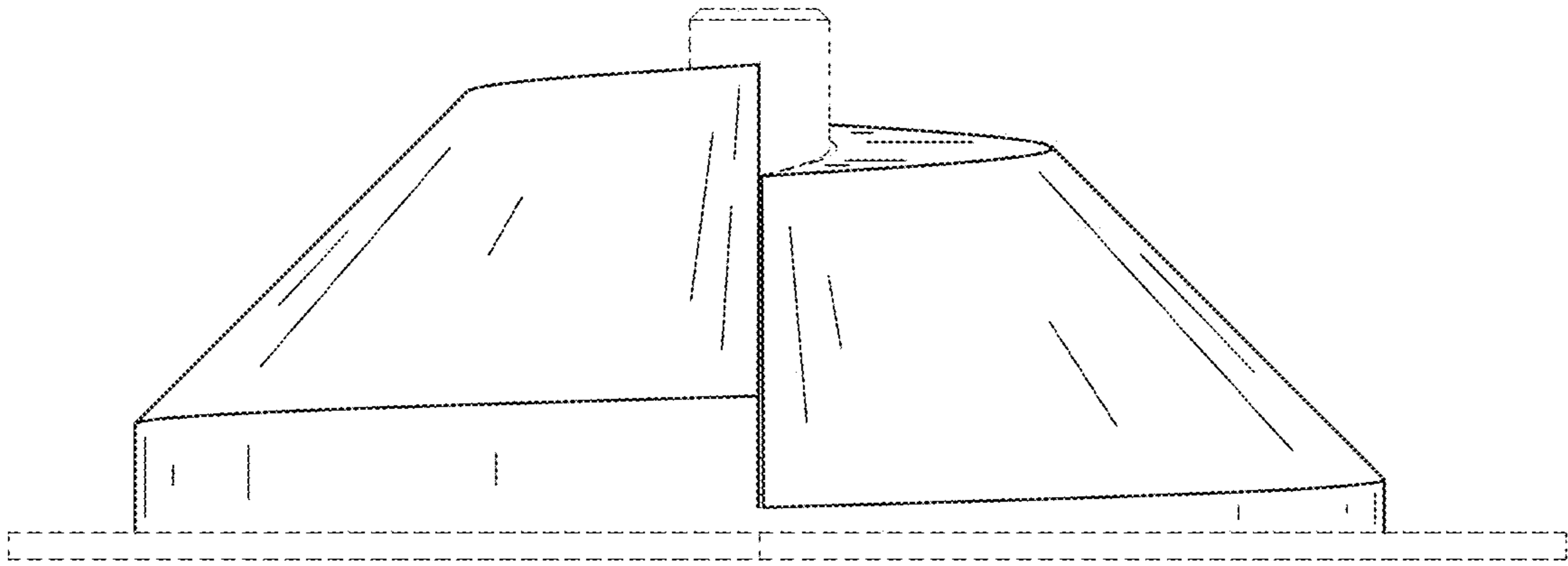


**FIG. 5**

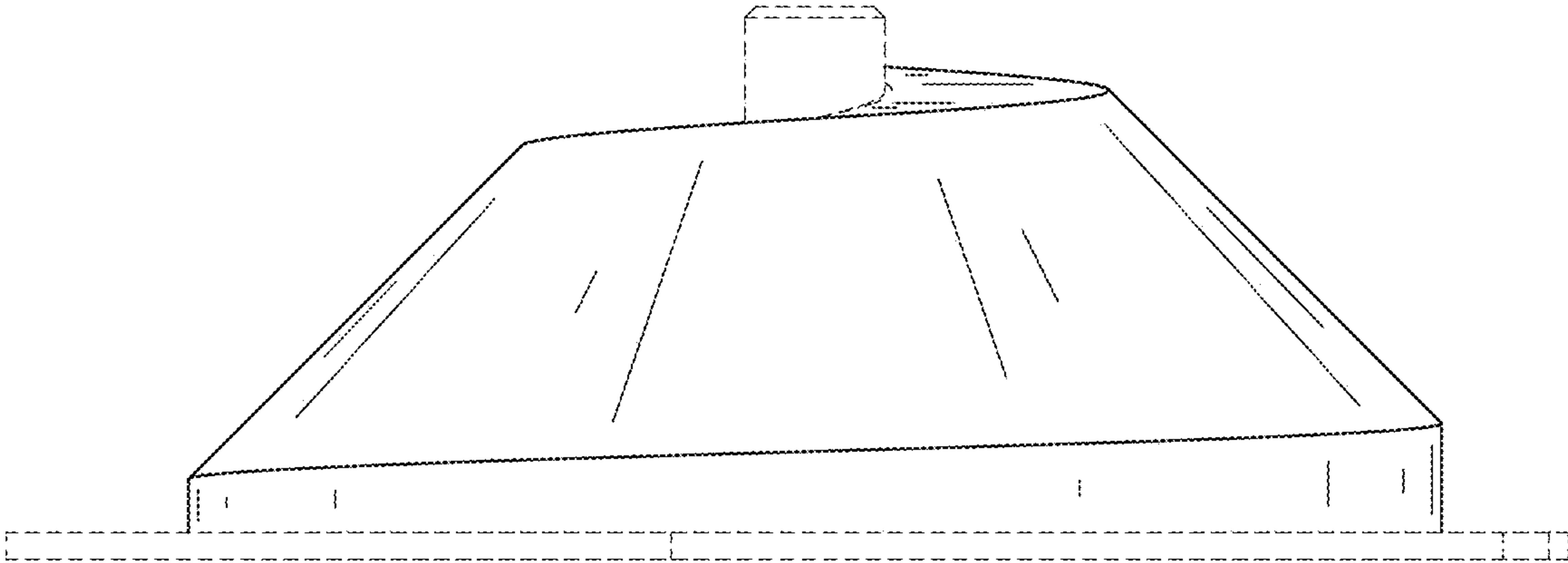


**FIG. 6**





**FIG. 7**



**FIG. 8**