



US00D922139S

(12) **United States Design Patent**
Lane et al.

(10) **Patent No.:** **US D922,139 S**
(45) **Date of Patent:** **** Jun. 15, 2021**

(54) **LID FOR BEVERAGE CONTAINER**

17/506; A61J 1/00; A61J 1/1412; A61J 1/02

(71) Applicant: **THERMOS L.L.C.**, Schaumburg, IL (US)

See application file for complete search history.

(72) Inventors: **Marvin Lane**, Wheeling, IL (US);
Audra Norvilas, Palos Park, IL (US)

(56) **References Cited**

U.S. PATENT DOCUMENTS

(73) Assignee: **Thermos L.L.C.**, Schaumburg, IL (US)

D530,203 S * 10/2006 Li D9/449
D547,652 S * 7/2007 Kerman D9/438
D581,788 S * 12/2008 Van Well D9/448

(Continued)

(**) Term: **15 Years**

FOREIGN PATENT DOCUMENTS

(21) Appl. No.: **29/727,336**

JP 2019181206 A * 10/2019 B65D 51/247

(22) Filed: **Mar. 10, 2020**

OTHER PUBLICATIONS

(51) **LOC (13) Cl.** **07-99**

Stainless Steel Direct Drink Bottle: Announced Sep. 29, 2020 [online]. Site Visited [Feb. 5, 2021]. Available from Internet URL: <https://www.thermos.com/guardian-stainless-steel-direct-drink-bottle-16oz.html>.*

(52) **U.S. Cl.**

USPC **D7/396.2**

(58) **Field of Classification Search**

USPC D7/509, 510, 511, 624.1, 387, 391, 392, D7/392.1, 393, 396.1, 396.2, 400; D9/434, 435, 436, 439, 445, 446, 447, D9/448, 449, 451, 454, 686, 723, 724, D9/438, 440, 443, 452, 453; D24/127, D24/162; D23/259, 260, 261, 209, 210

Primary Examiner — Catherine S Posthauer
(74) *Attorney, Agent, or Firm* — Polsinelli PC

(57) **CLAIM**

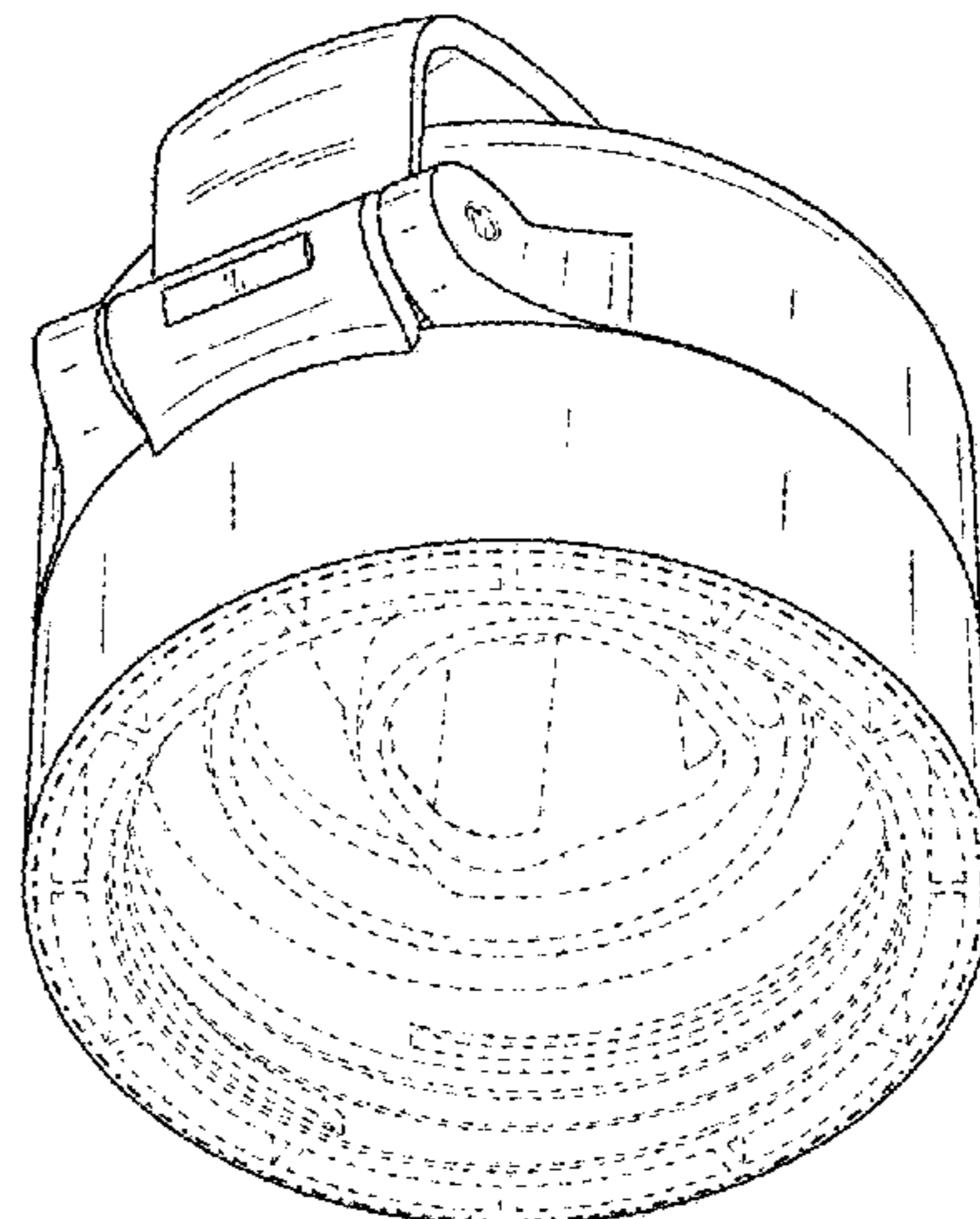
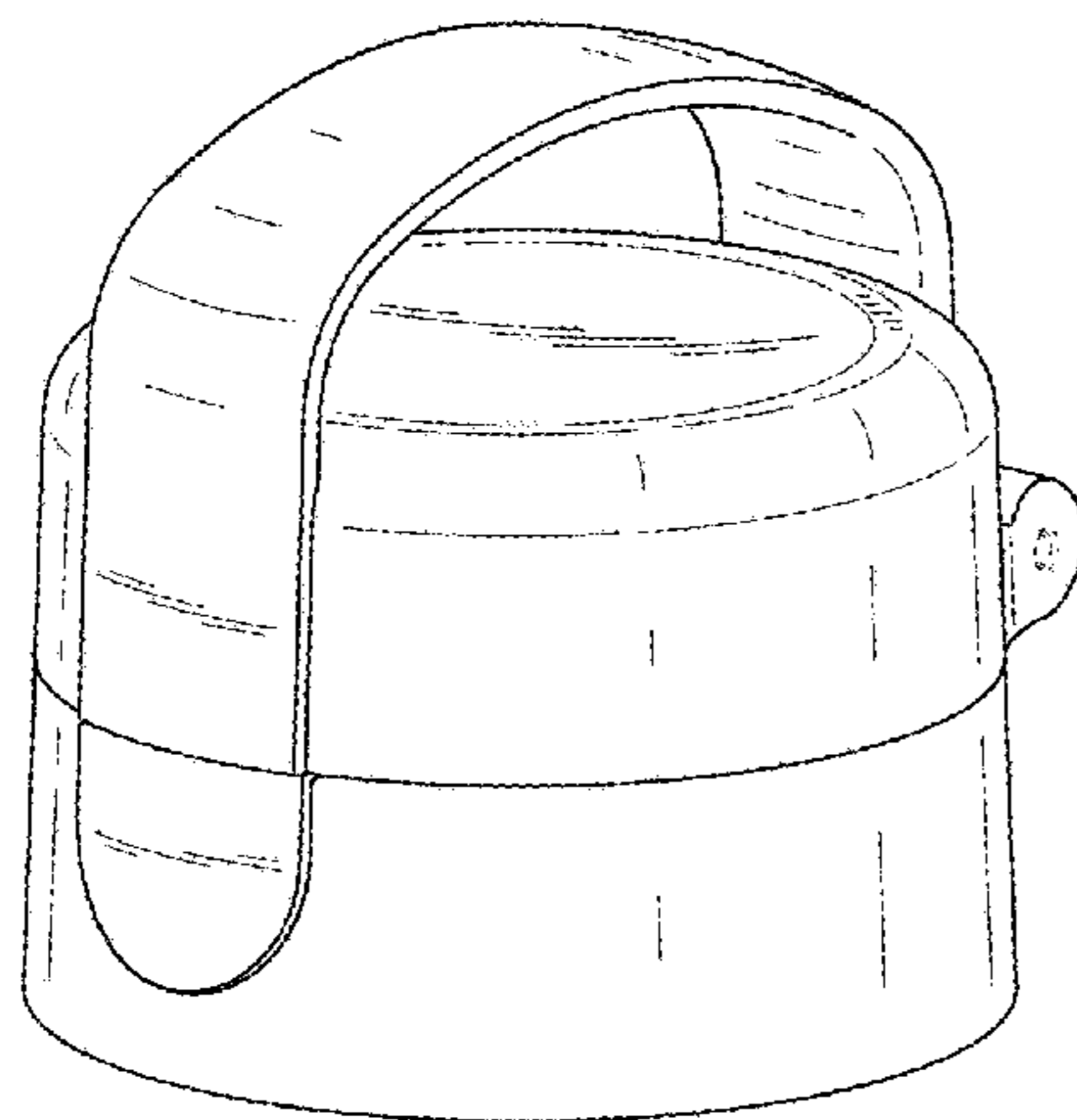
The ornamental design for a lid for beverage container, as shown and described.

CPC ... B65D 1/00; B65D 1/02; B65D 1/10; B65D 1/24; B65D 1/46; B65D 2585/56; B65D 2585/545; B65D 41/00; B65D 41/38; B65D 41/56; B65D 41/62; B65D 47/00; B65D 47/04; B65D 47/06; B65D 47/08; B65D 47/20; B65D 23/00; B65D 51/1694; B65D 43/09; B65D 43/16; B65D 43/0212; B65D 43/265; B65D 43/0208; B65D 43/22; B65D 43/00046; B65D 43/00092; B65D 43/00222; B65D 2543/00046; B65D 2543/00092; B65D

DESCRIPTION

FIG. 1 is an upper perspective view of a lid for beverage container;
FIG. 2 is a lower perspective view of the lid for beverage container;
FIG. 3 is a front view of the lid for beverage container;
FIG. 4 is a rear view of the lid for beverage container;
FIG. 5 is a left side view of the lid for beverage container;
FIG. 6 is a right side view of the lid for beverage container;
FIG. 7 is a top view of the lid for beverage container; and,
FIG. 8 is a bottom view of the lid for beverage container.
The broken lines showing in the figures are included for the purpose of illustrating portions of the lid for beverage

(Continued)



container that form no part of the claimed design. The dash-dot lines showing in the figures are included for defining the bounds of the claimed design that form no part thereof.

1 Claim, 4 Drawing Sheets

(56)

References Cited

U.S. PATENT DOCUMENTS

D661,945 S *	6/2012	Eyal	D7/392.1
D683,580 S *	6/2013	Rosenfeld	D7/392
D817,088 S *	5/2018	Shirley	D7/396.2
D818,767 S *	5/2018	Nezu	D7/392.1
D842,107 S *	3/2019	Bardet	D9/449
D851,445 S *	6/2019	Silsby	D7/392.1
2007/0251949 A1 *	11/2007	Barre	B65D 47/0871 220/890
2012/0067915 A1 *	3/2012	Lepage	B65D 47/0828 220/831
2012/0091160 A1 *	4/2012	Rognard	B65D 51/248 220/835

* cited by examiner

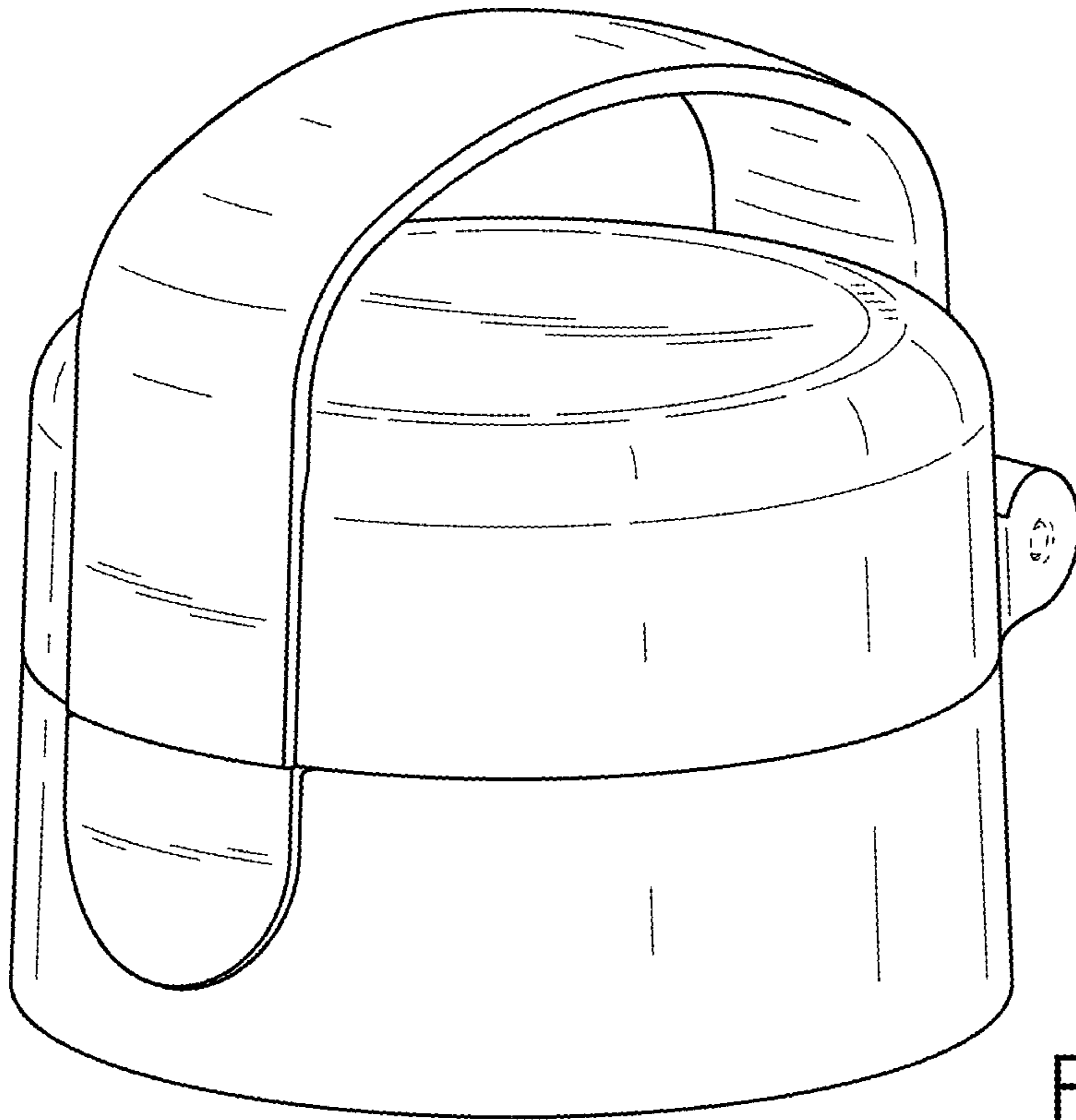


FIG. 1

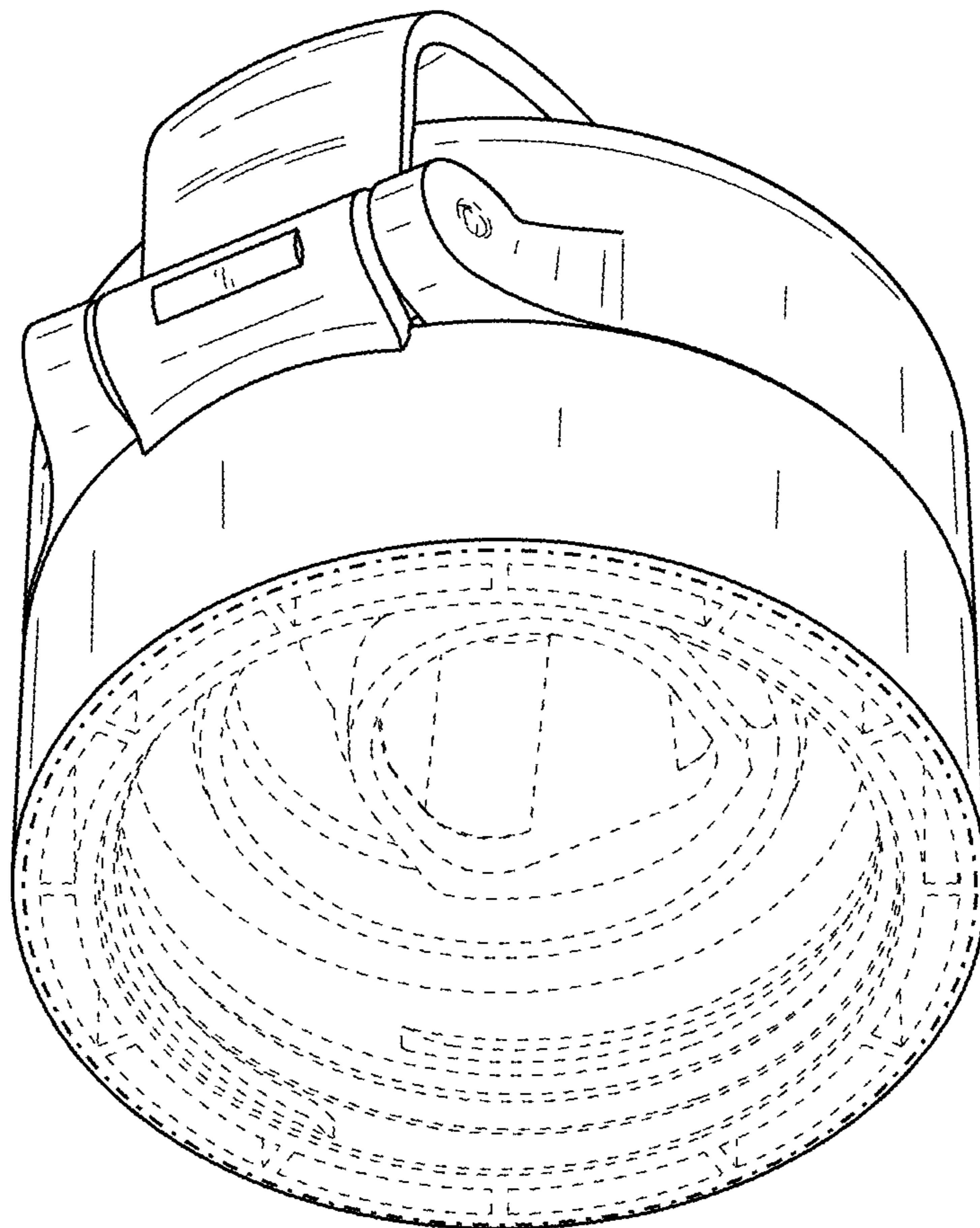


FIG. 2

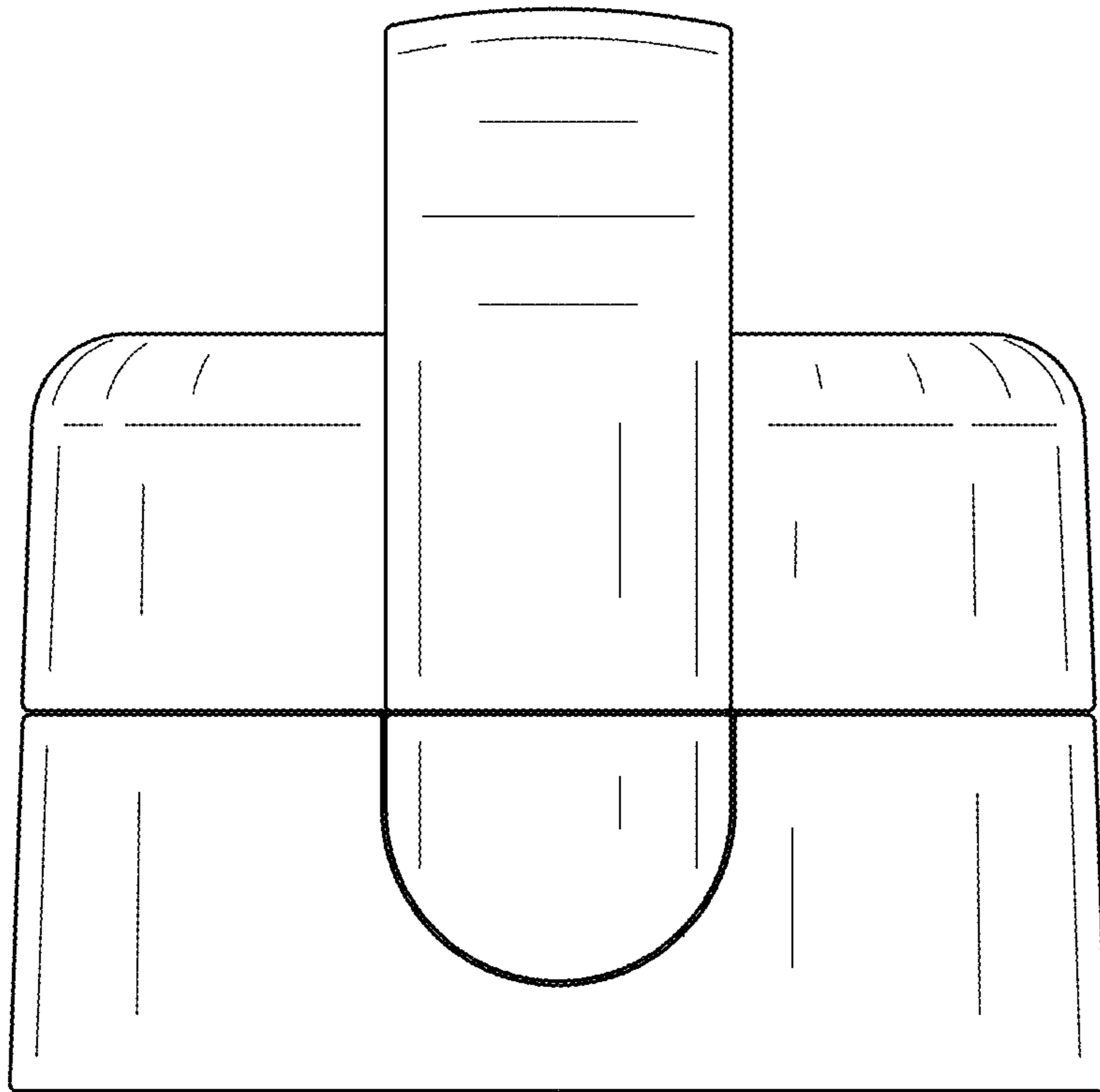


FIG. 3

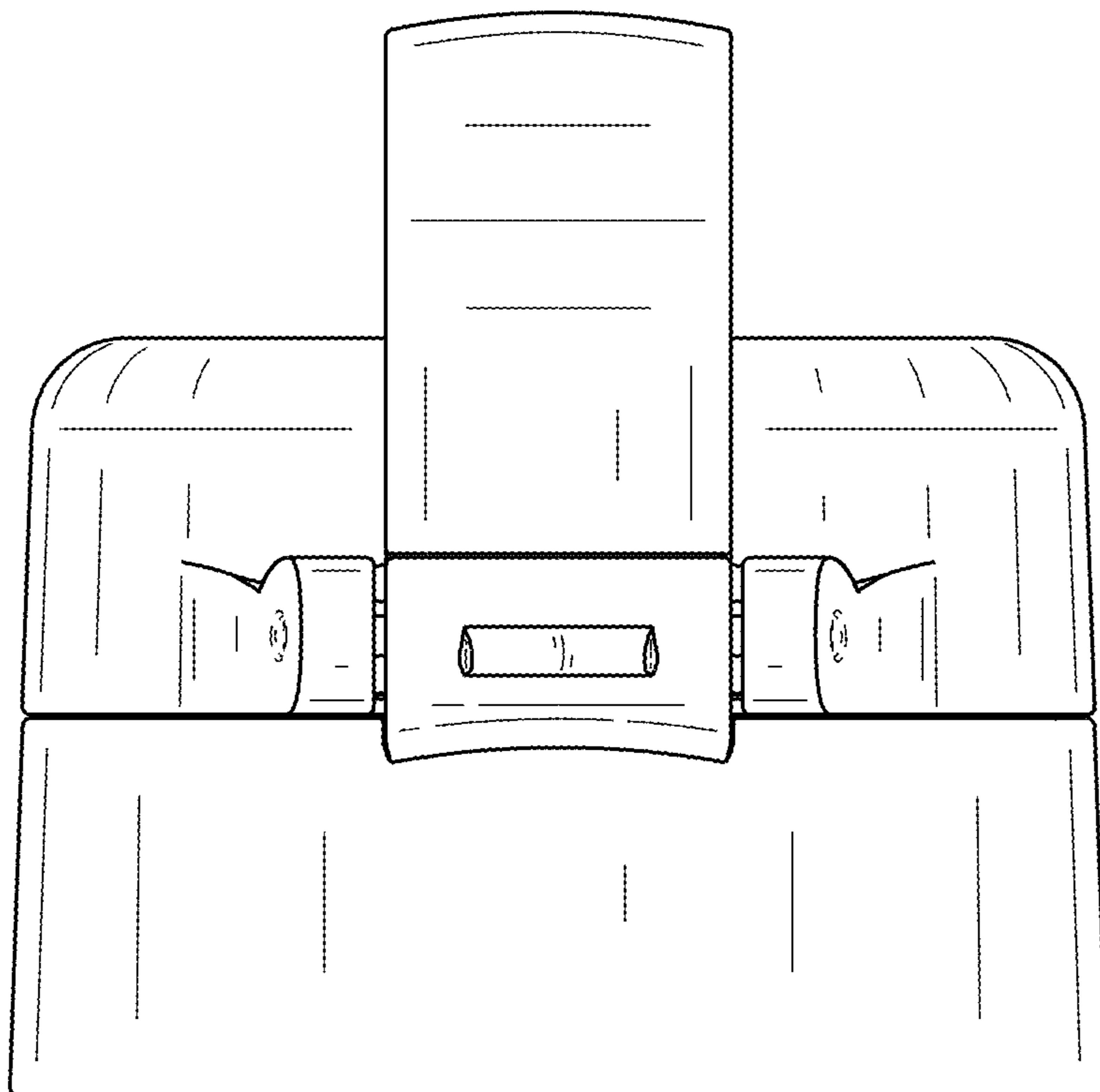


FIG. 4

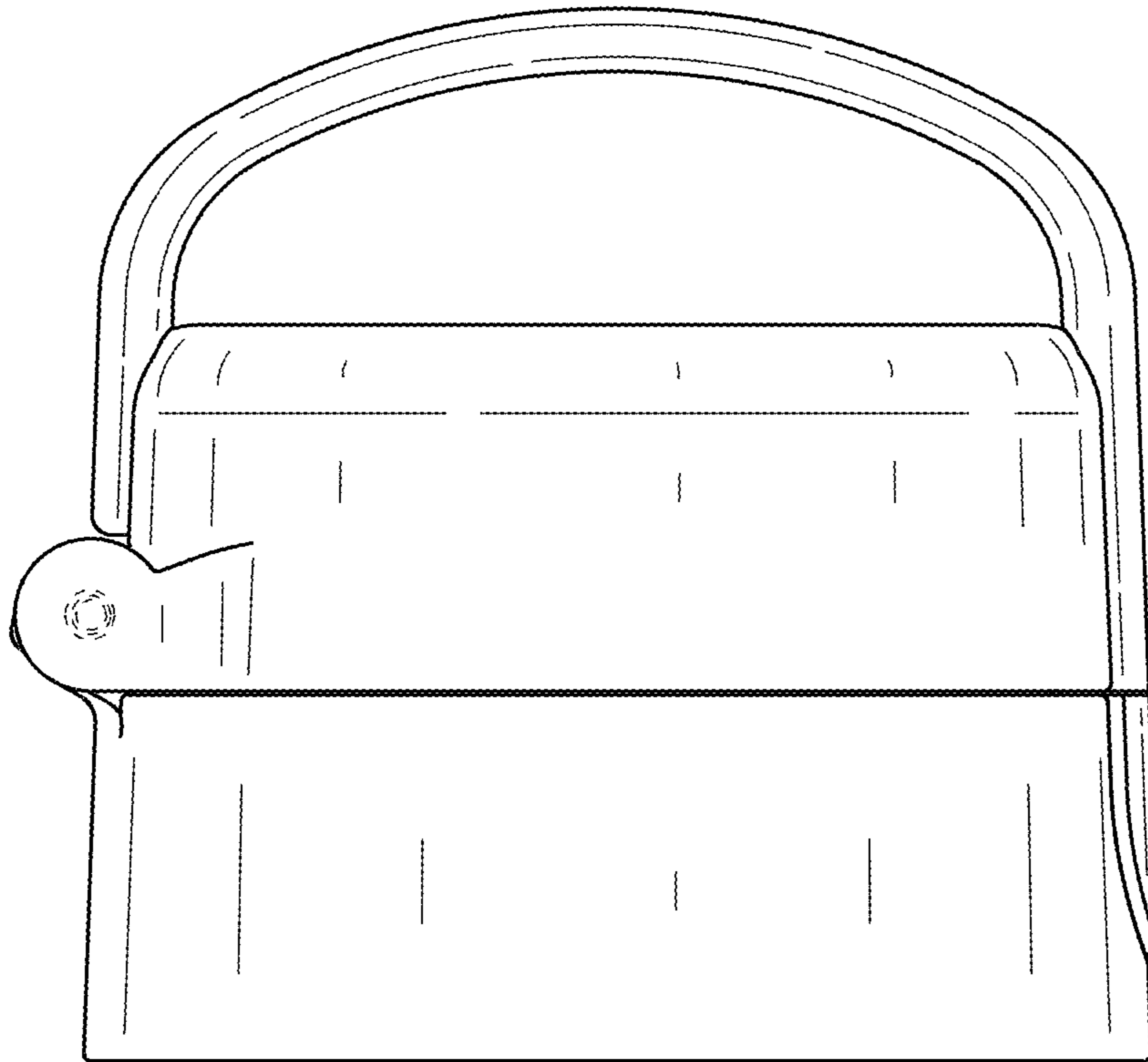


FIG. 5

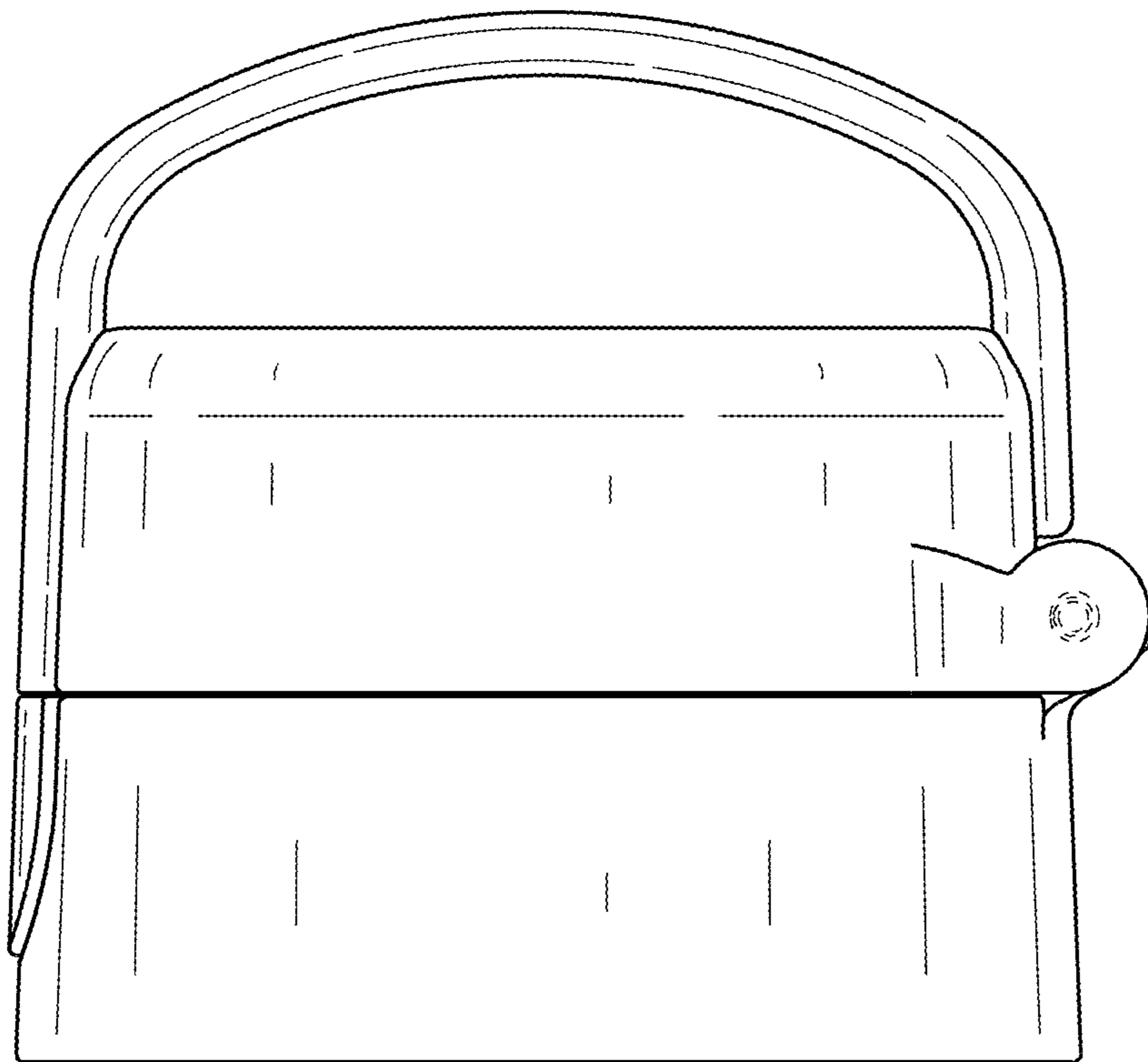


FIG. 6

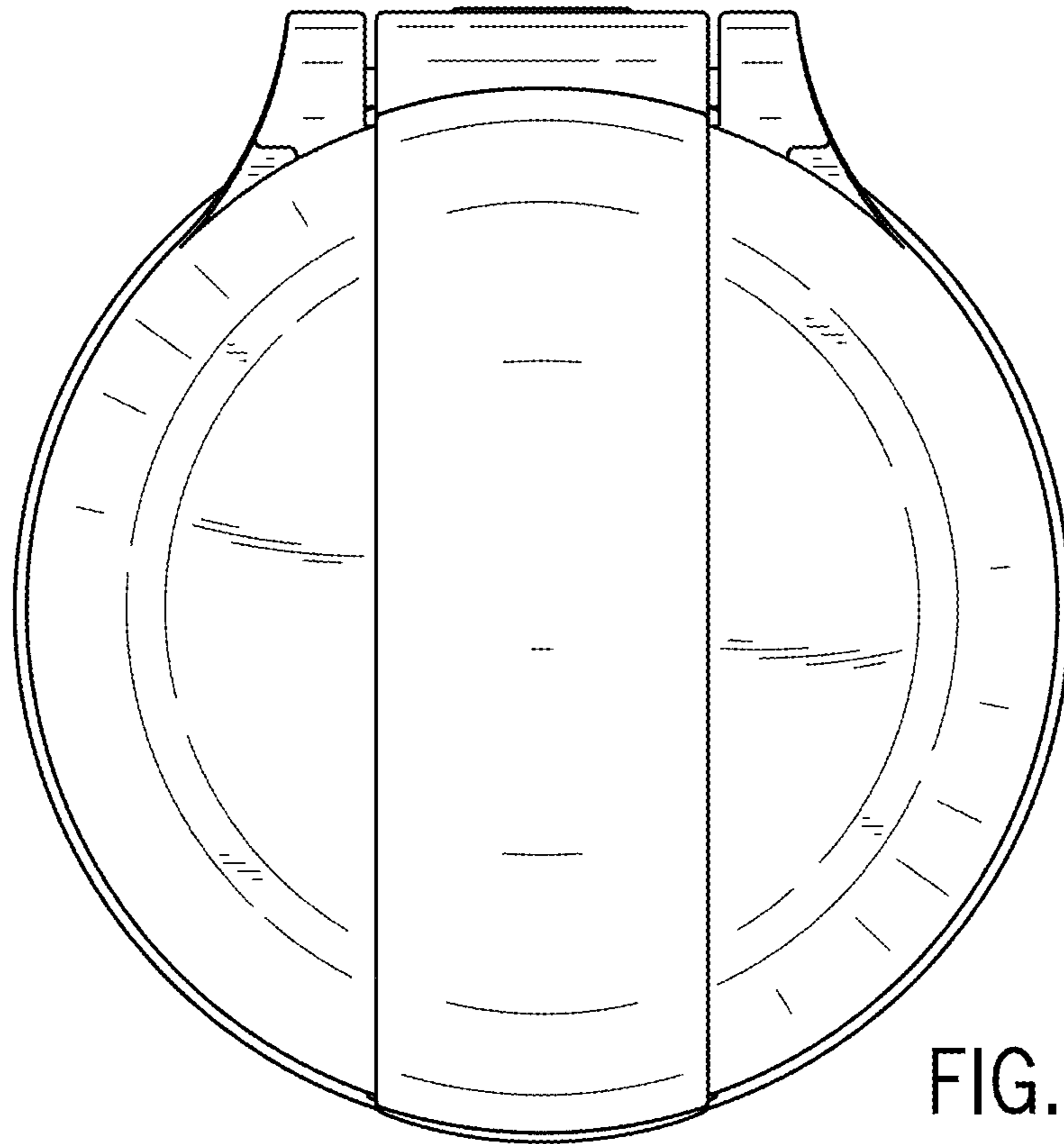


FIG. 7

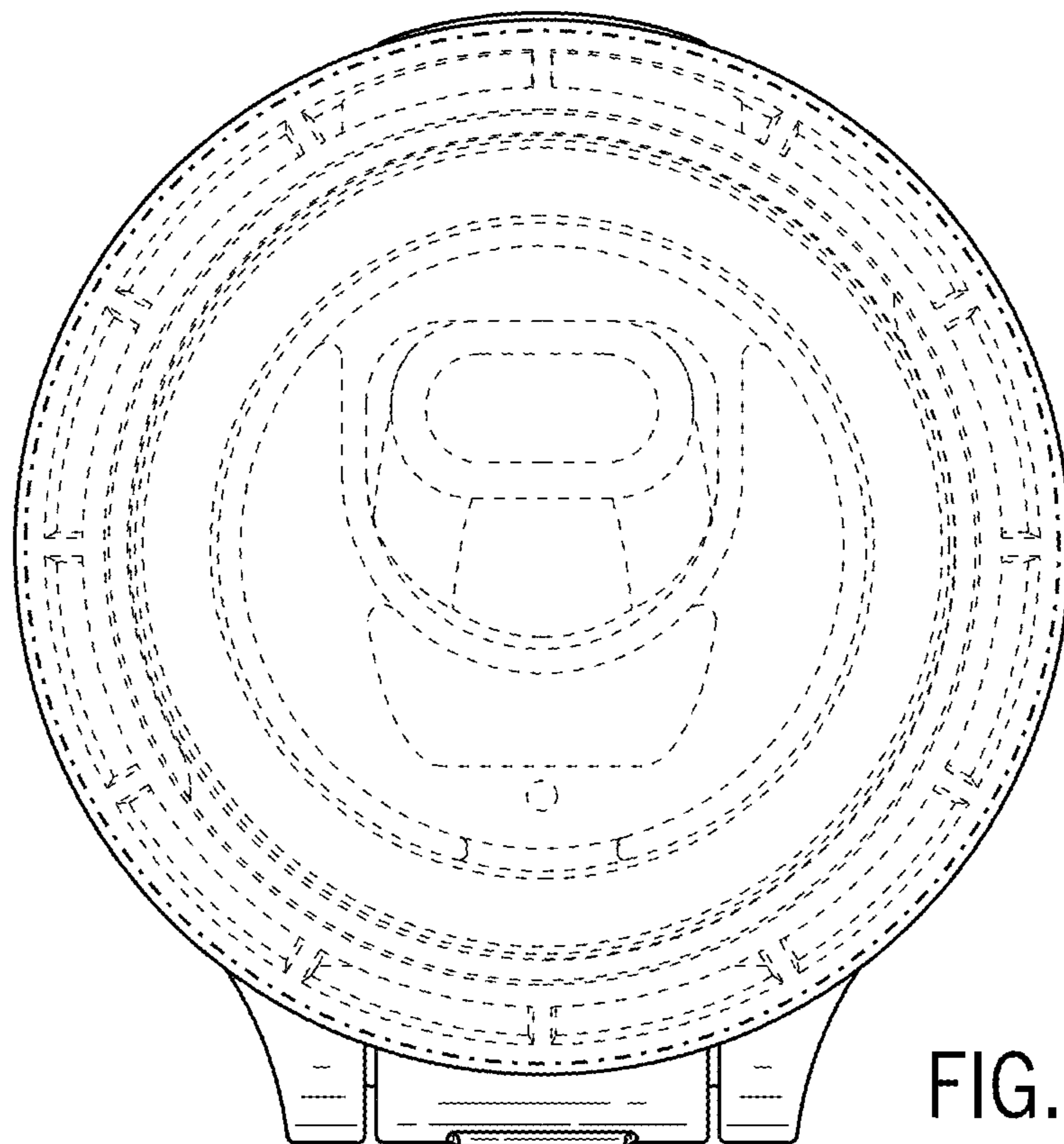


FIG. 8