



US00D922138S

(12) **United States Design Patent**
Chen

(10) **Patent No.:** **US D922,138 S**

(45) **Date of Patent:** **** Jun. 15, 2021**

(54) **BOTTLE LID**

(71) Applicant: **Xiamen bikuer technology Co., Ltd,**
Fujian (CN)

(72) Inventor: **Yuanhuang Chen,** Fujian (CN)

(73) Assignee: **Xiamen bikuer technology Co., Ltd,**
Fujian (CN)

(**) Term: **15 Years**

(21) Appl. No.: **29/758,835**

(22) Filed: **Nov. 18, 2020**

(51) **LOC (13) Cl.** **07-01**

(52) **U.S. Cl.**
USPC **D7/392.1**

(58) **Field of Classification Search**
USPC D7/392, 392.1, 396.1, 396.2, 397, 509,
D7/510, 533, 619.1, 622; D9/435, 443,
D9/516
CPC B65D 47/066; B65D 47/2037; A47G
19/2272
See application file for complete search history.

(56) **References Cited**

U.S. PATENT DOCUMENTS

5,203,468	A *	4/1993	Hsu	A47G 19/2272 220/254.3
D387,621	S *	12/1997	Sullivan	D7/510
D747,136	S *	1/2016	Lane	D7/396.2
D768,491	S *	10/2016	Sorensen	D9/449
D807,692	S *	1/2018	Yao	D7/392.1
D811,879	S	3/2018	Way	
D815,889	S *	4/2018	Xu	D7/392.1
D817,088	S *	5/2018	Shirley	D7/396.2
D853,238	S	7/2019	Yao	
D855,388	S *	8/2019	Potter	D7/392.1

D892,542	S *	8/2020	Wang	D7/392.1
D897,146	S *	9/2020	Lane	D7/392
D899,849	S *	10/2020	Zhang	D7/392.1
2003/0168455	A1 *	9/2003	Zettle	B65D 47/0895 220/254.3
2010/0170902	A1 *	7/2010	Britto	B65D 47/066 220/367.1

OTHER PUBLICATIONS

“SendeStar Straw Lid”. Found online Apr. 16, 2021 at amazon.com. Reference dated Nov. 28, 2019. Retrieved from <https://www.amazon.com/Sendestar-Straw-Sports-Bottle-Straws/dp/B0823B9XJ3>. (Year: 2019).*

(Continued)

Primary Examiner — Kendra Leslie Hamilton

(74) *Attorney, Agent, or Firm* — ScienBiziP, P.C.

(57) **CLAIM**

The ornamental design for a bottle lid, as shown and described.

DESCRIPTION

FIG. 1 is a top, front, right perspective view of a bottle lid, showing my new design in a first configuration, wherein the nozzle is stowed within the lid.

FIG. 2 is a front elevation view thereof.

FIG. 3 is a rear elevation view thereof.

FIG. 4 is a left side elevation thereof.

FIG. 5 is a right side elevation thereof.

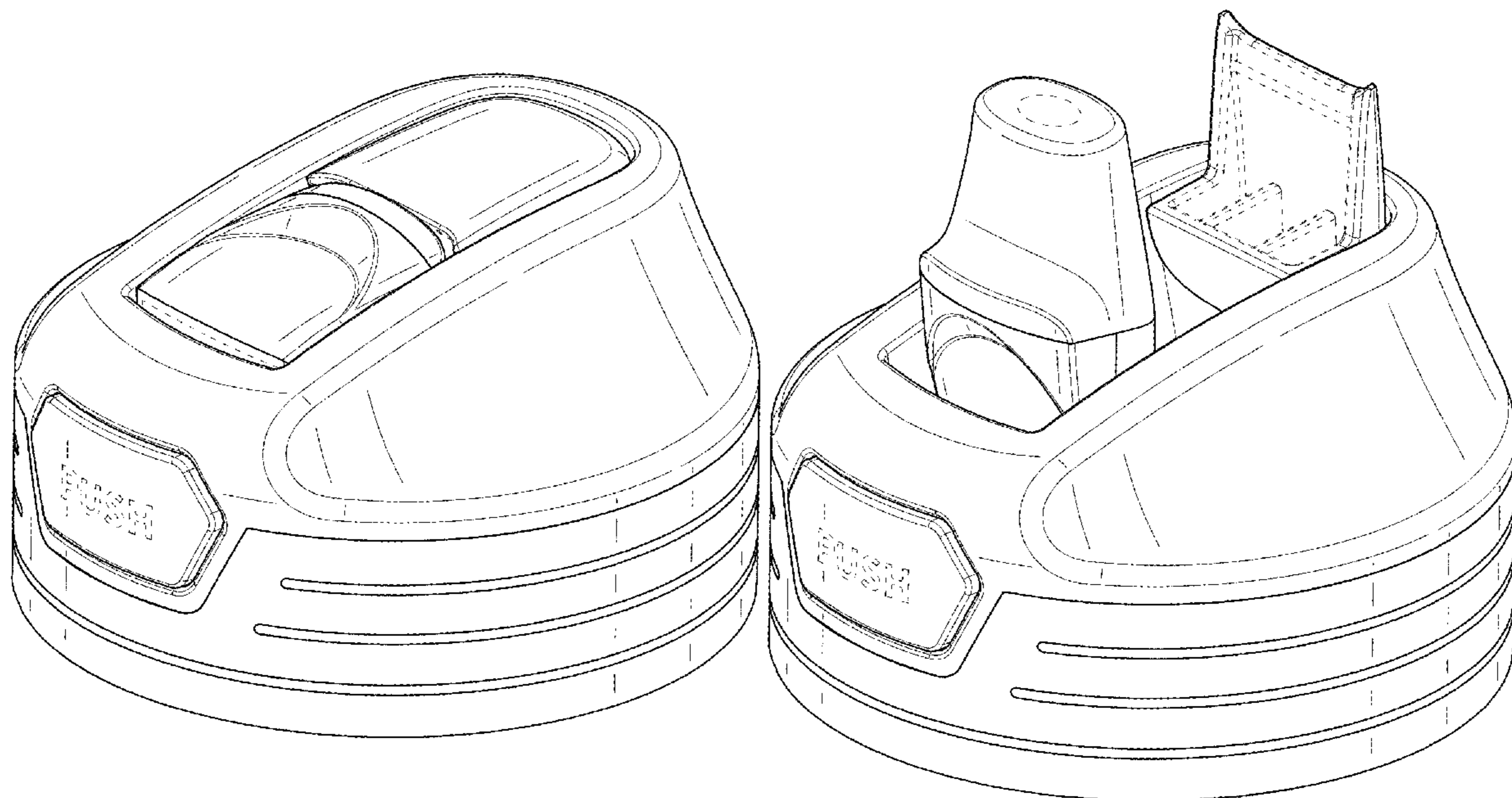
FIG. 6 is a top plan view thereof.

FIG. 7 is a bottom plan view thereof; and,

FIG. 8 is a top, front, right perspective view of the bottle lid of FIG. 1, shown in a second configuration, wherein the nozzle is deployed.

The broken lines illustrate portions of the bottle lid that form no part of the claimed design.

1 Claim, 8 Drawing Sheets



(56)

References Cited

OTHER PUBLICATIONS

“Nathan: Pure—Flip Straw Bottle”. Found online Jun. 27, 2017 at [goodhousekeeping.com](http://www.goodhousekeeping.com). Reference dated Apr. 2009. Retrieved from <http://www.goodhousekeeping.com/home-products/reusable-water-bottle-reviews/a28689/nathan-flip-straw-pure-bottle-626/>. (Year: 2009).*

“Gearproz Straw Lid, Paracord Handle”. Found online Apr. 16, 2021 at [amazon.com](https://www.amazon.com). Reference dated May 25, 2020. Retrieved from <https://www.amazon.com/Gearproz-Paracord-Standard-Shoulder-Cleaning/dp/B08CDFP976?>. (Year: 2020).*

“Vapur: Collapsible Anti-Bottle”. Found online Jun. 28, 2017 at vapur.us. Reference dated Jul. 19, 2012. Retrieved from http://vapur.us/shop/anti-bottles/071/eclipse-olive-green-71?color=Olive+Green&colorswatch_capacity=.7+Liters+%2823oz%29. (Year: 2012).*

* cited by examiner

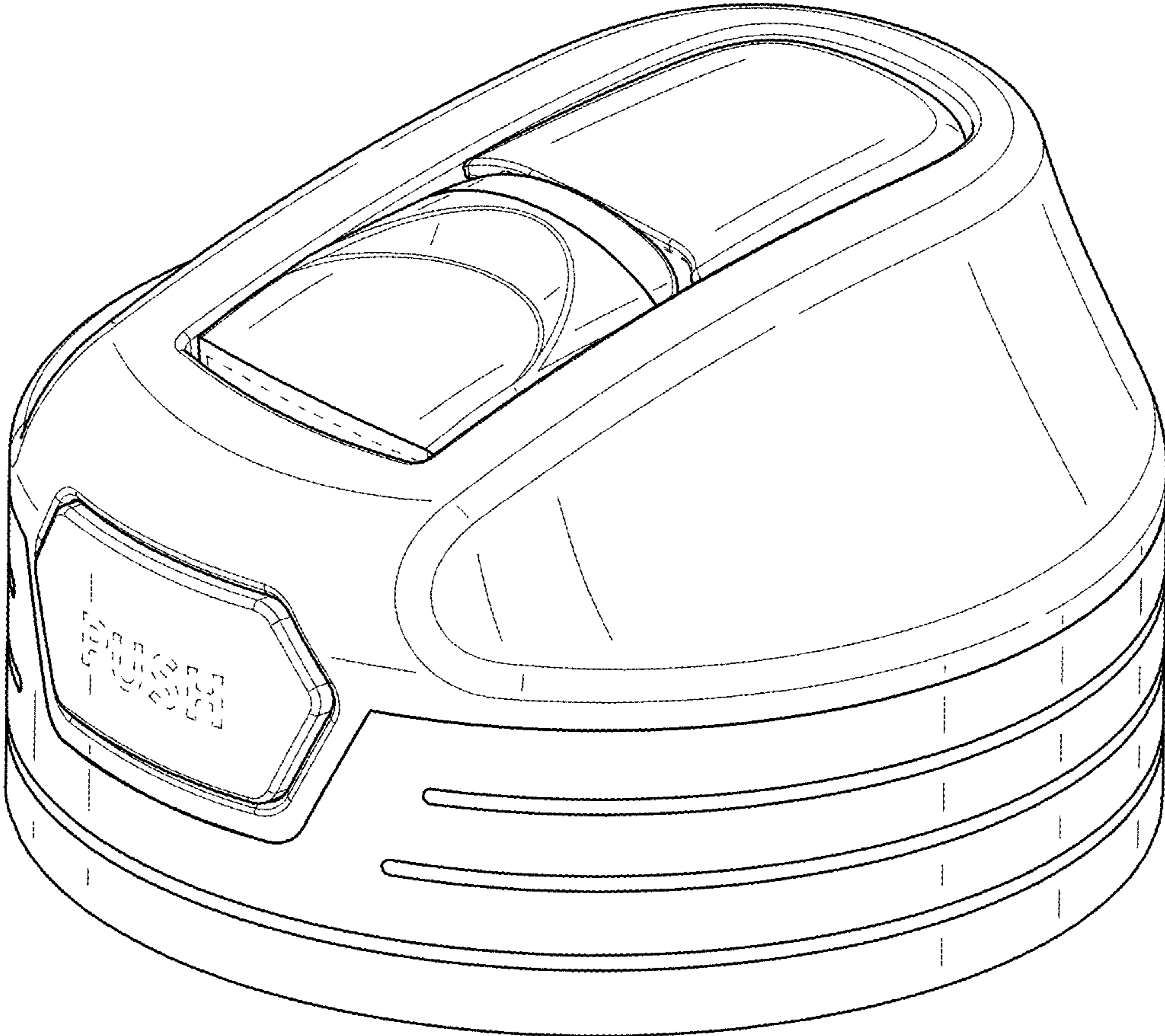


FIG.1

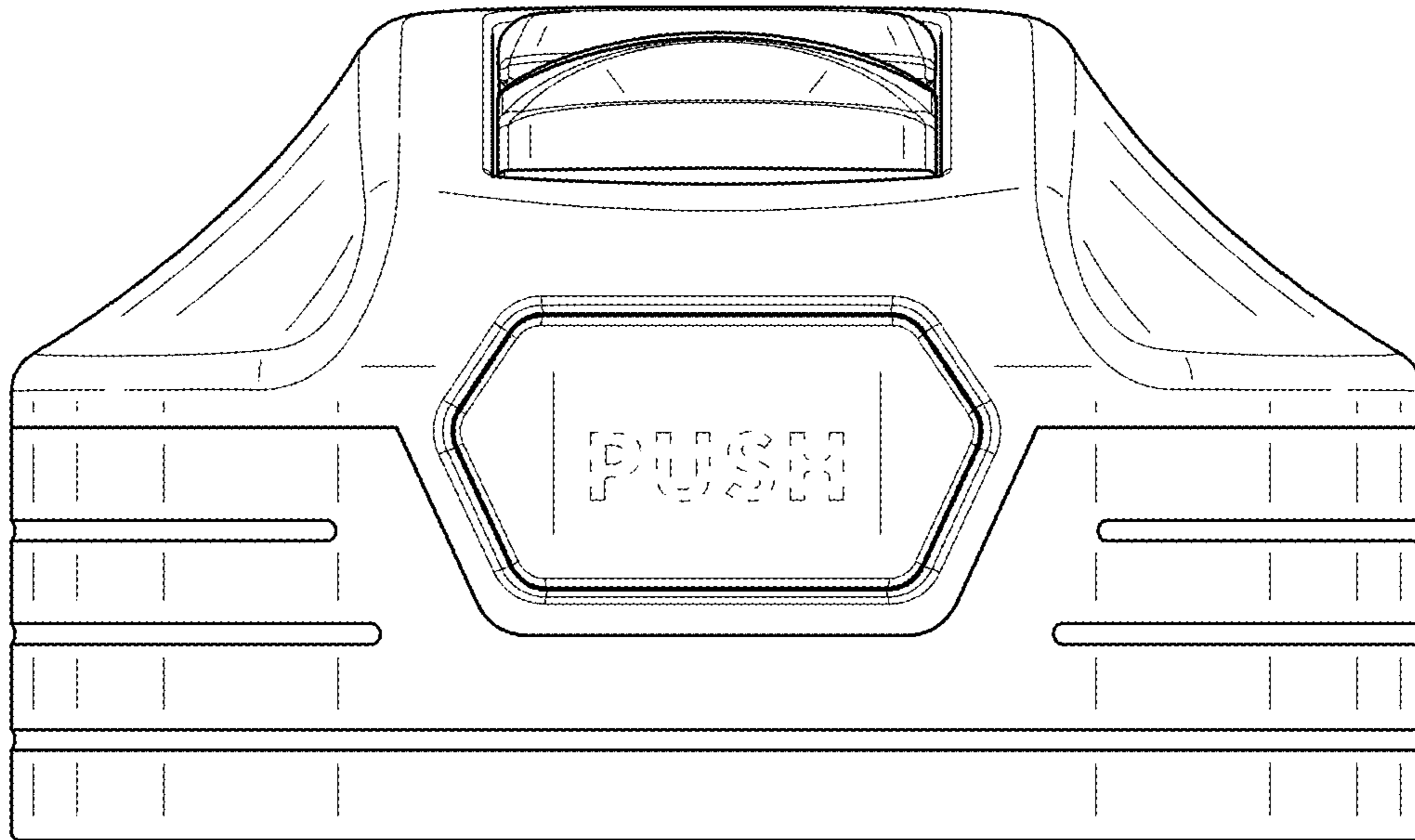


FIG.2

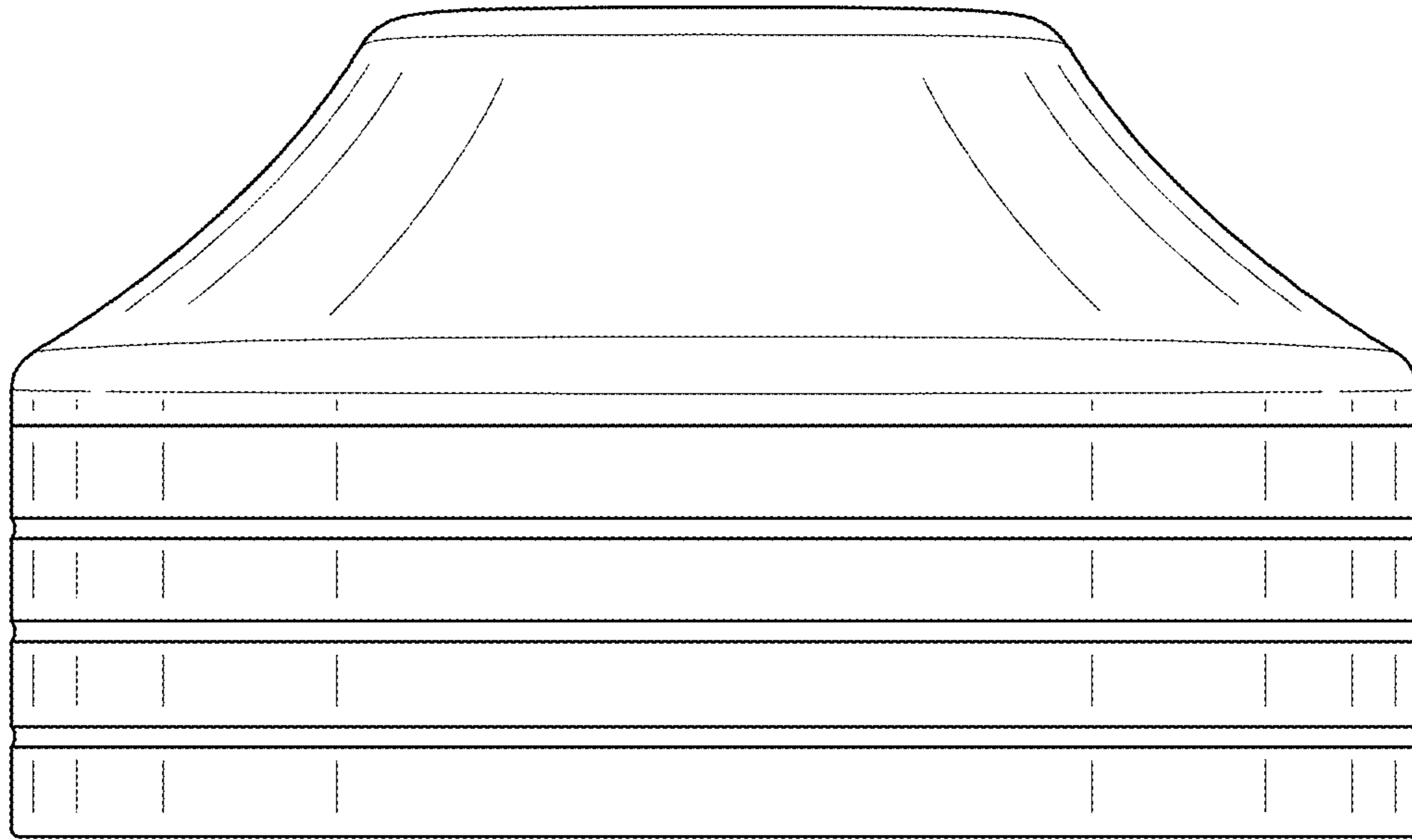


FIG.3

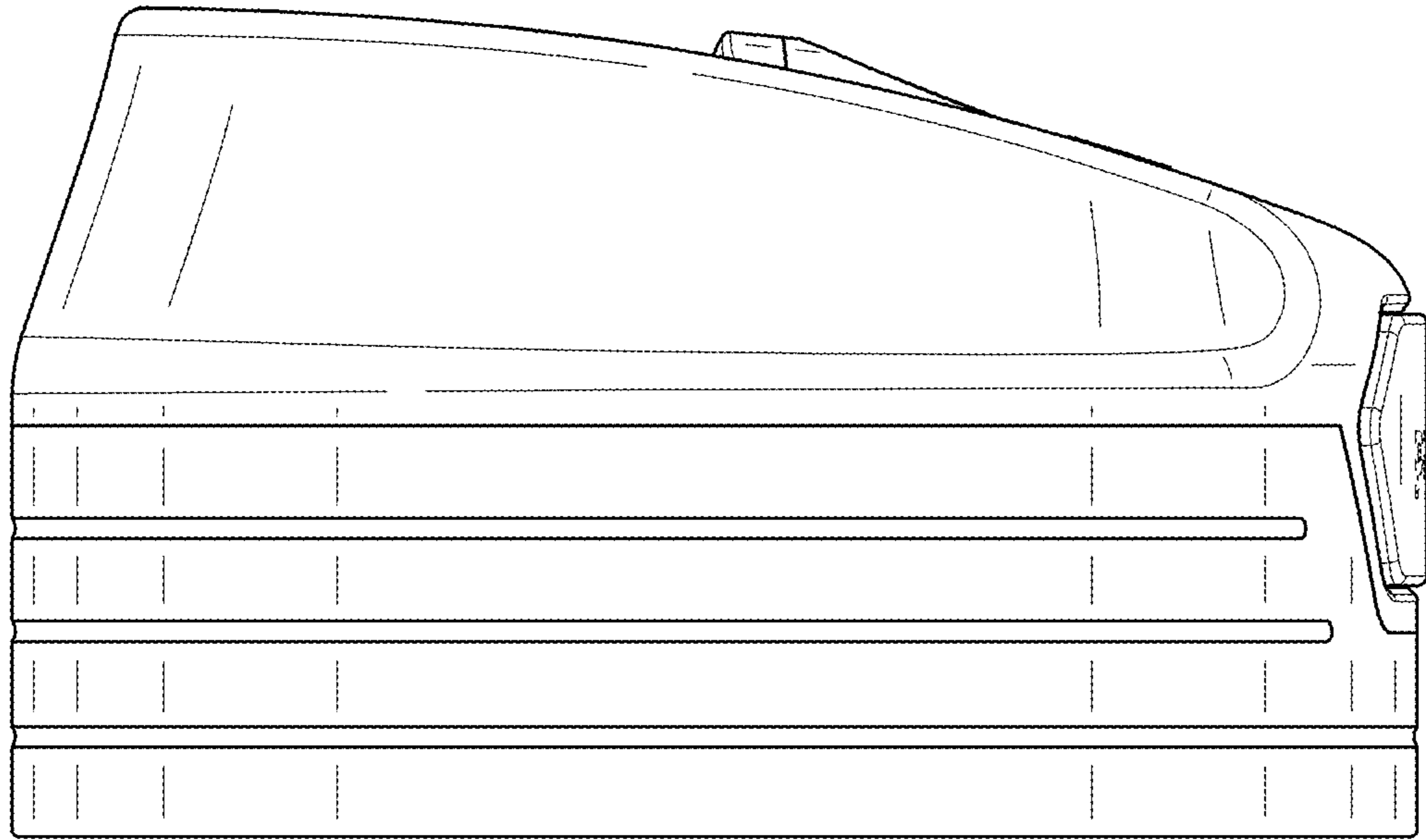


FIG.4

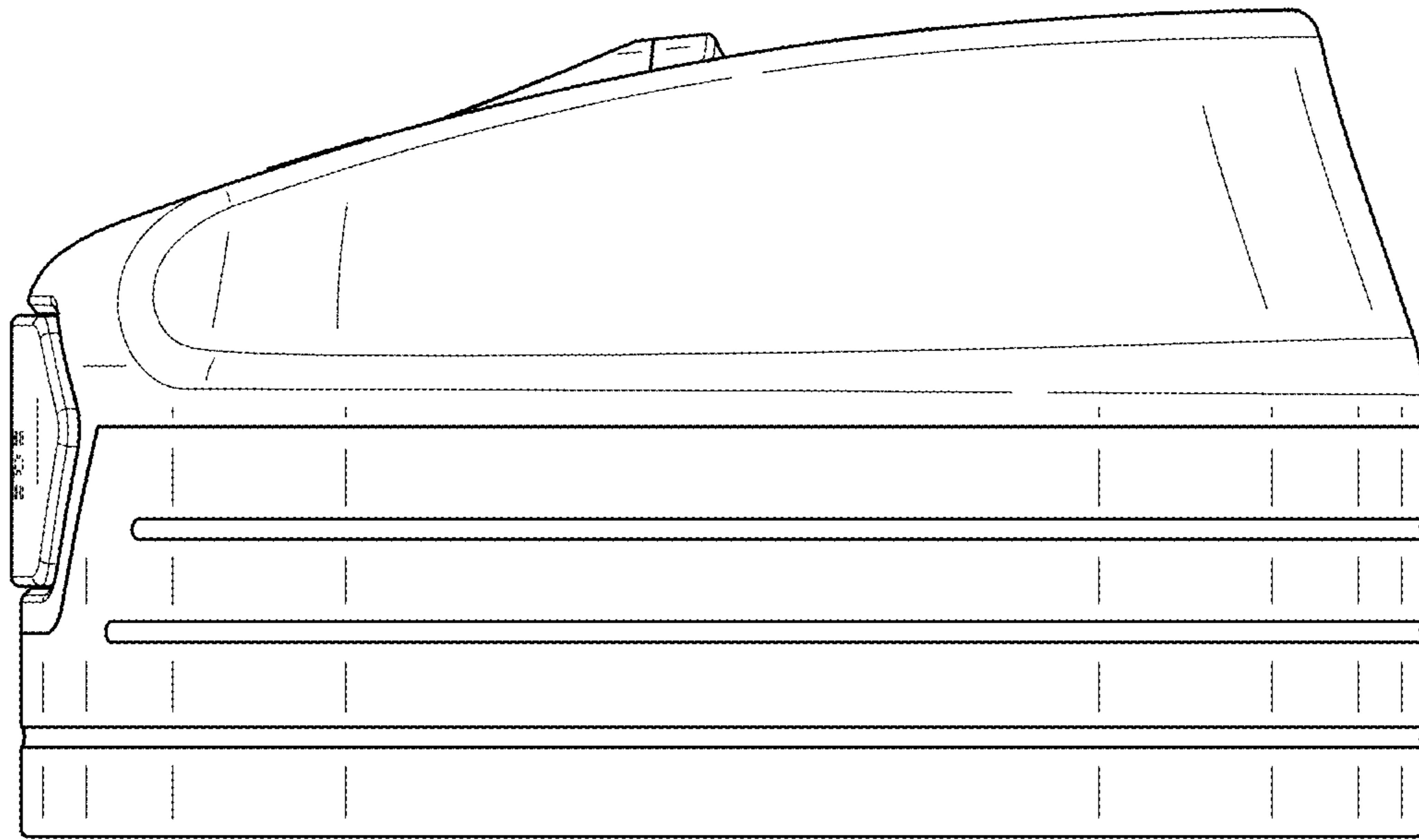


FIG.5

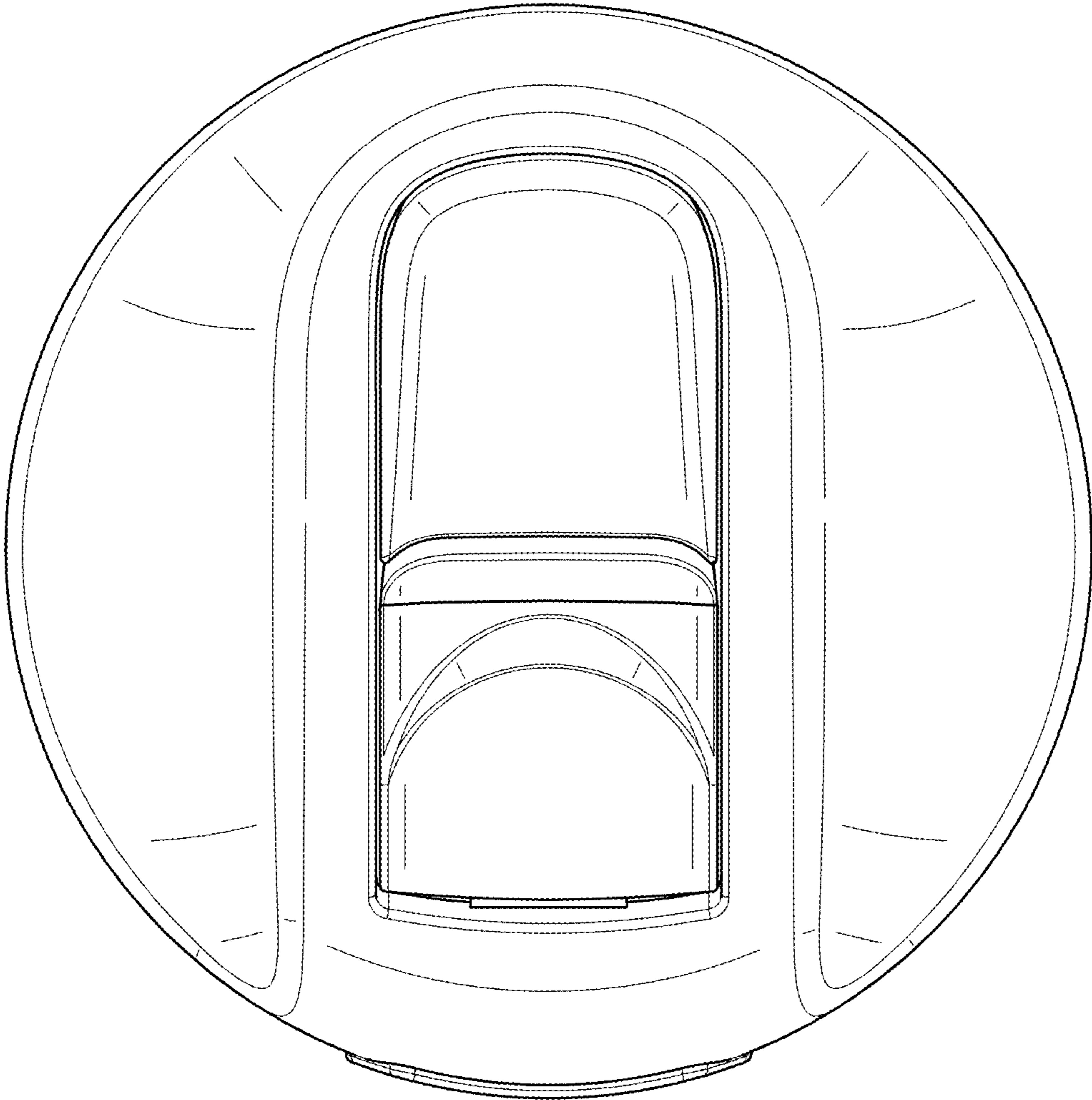


FIG.6

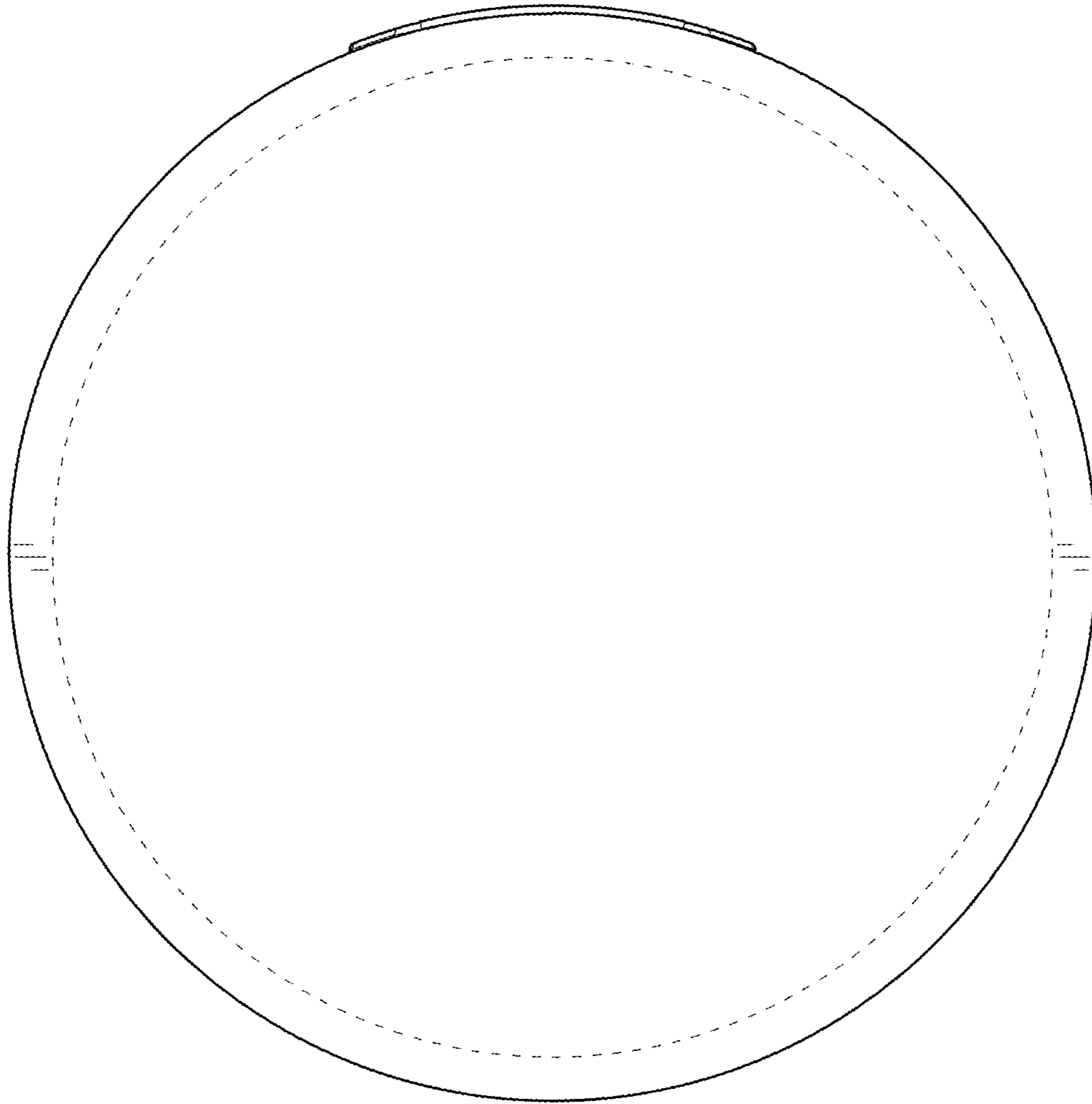


FIG. 7

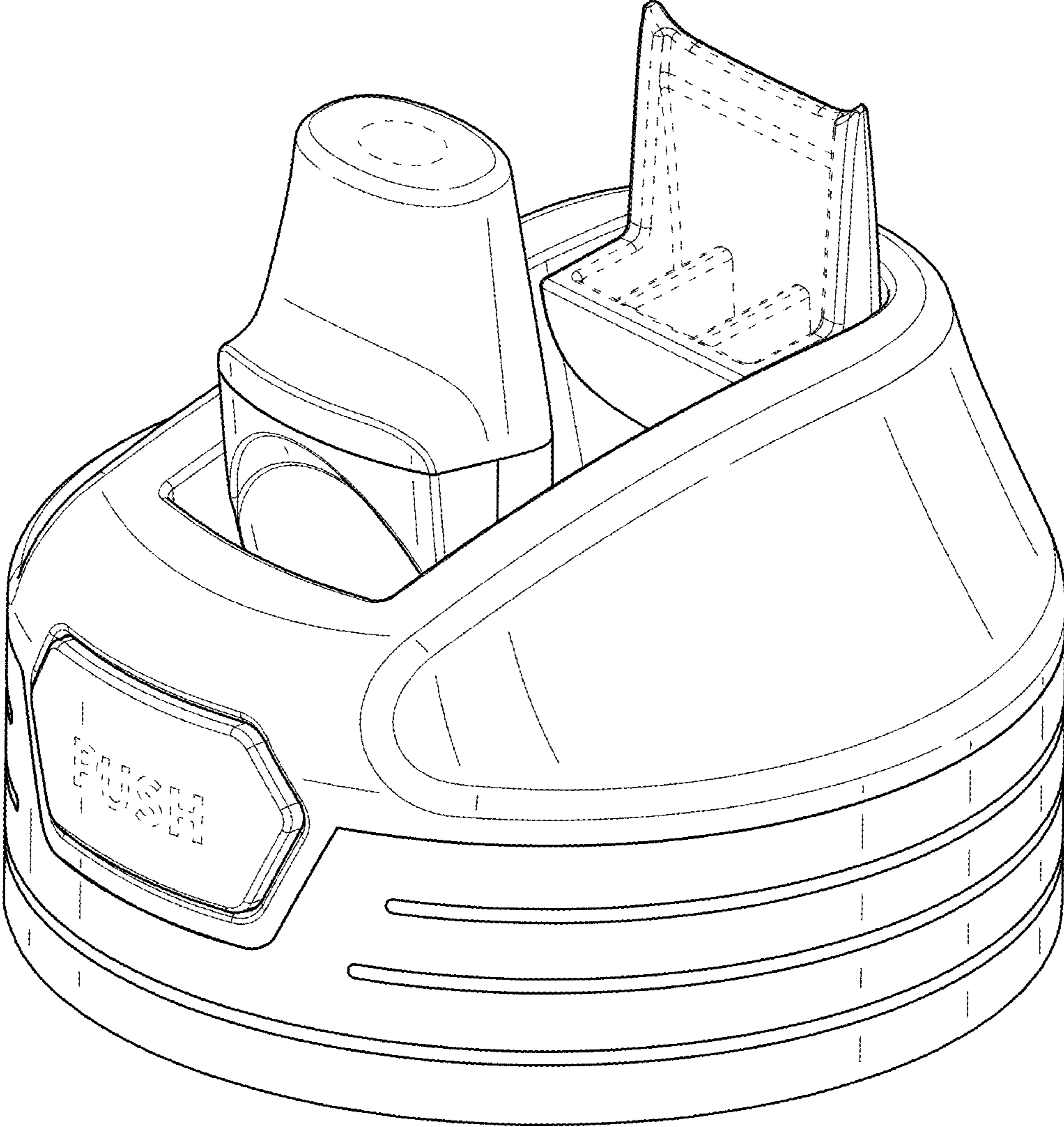


FIG.8