



US00D922137S

(12) **United States Design Patent**  
**Chen**

(10) **Patent No.:** **US D922,137 S**  
(45) **Date of Patent:** **\*\* Jun. 15, 2021**

(54) **BOTTLE LID**

(71) Applicant: **Xiamen bikuer technology Co., Ltd,**  
Fujian (CN)

(72) Inventor: **Yuanhuang Chen,** Fujian (CN)

(73) Assignee: **Xiamen bikuer technology Co., Ltd,**  
Fujian (CN)

(\*\*) Term: **15 Years**

(21) Appl. No.: **29/758,209**

(22) Filed: **Nov. 12, 2020**

(51) **LOC (13) Cl.** ..... **07-99**

(52) **U.S. Cl.**  
USPC ..... **D7/392.1; D7/392; D9/443; D9/449**

(58) **Field of Classification Search**  
USPC ..... D9/414, 434, 435, 439, 440, 441,  
D9/443-445, 447-455, 499, 501,  
D9/503-505, 516, 517, 529, 682, 685,  
D9/686; D7/387, 391, 392, 392.1, 396.1,  
D7/396.2, 396.4, 403, 507, 509-511, 538,  
D7/629, 900; D3/202, 203.2, 294, 318;  
D28/91, 91.1

CPC .. A61J 1/00; A61J 1/1412; B65D 1/00; B65D  
1/02; B65D 1/10; B65D 1/46; B65D  
5/46; B65D 41/00; B65D 41/38; B65D  
41/56; B65D 41/62; B65D 47/00; B65D  
47/06; B65D 47/08; B65D 2251/00;  
B65D 2543/00046; B65D 2543/00092;  
B65D 2543/00296

See application file for complete search history.

(56) **References Cited**

**U.S. PATENT DOCUMENTS**

D112,880 S \* 1/1939 Hacmac ..... D9/443  
D129,728 S \* 9/1941 Bernhardt ..... D9/447  
D159,596 S \* 8/1950 Bushman ..... D9/443  
D194,890 S \* 3/1963 Marler ..... D9/447

3,201,011 A \* 8/1965 Brocken ..... A47G 19/12  
D7/314  
D204,896 S \* 5/1966 Schlessel ..... D7/392  
3,877,614 A \* 4/1975 Murphy ..... B05B 11/00  
D7/510  
D247,211 S \* 2/1978 Young ..... D9/450  
4,930,687 A \* 6/1990 Brindopke ..... A47G 19/12  
222/475.1  
D320,350 S \* 10/1991 Fabiano ..... D9/443  
(Continued)

**FOREIGN PATENT DOCUMENTS**

EM 008268080-0004 \* 1/2021

**OTHER PUBLICATIONS**

Amazon.com "64 OZ Water Bottle with Straw, Motivational Water Bottle with Time Marker" (online) first available on Jul. 21, 2019. Retrieved from Internet on Mar. 25, 2021, URL: <https://www.amazon.ca/Bottle-Motivational-Plastic-Kitchen-Working/dp/B07SXH3KZM?th=1> (7 pages).\*

*Primary Examiner* — Wendy L Arminio  
(74) *Attorney, Agent, or Firm* — ScienBiziP, P.C.

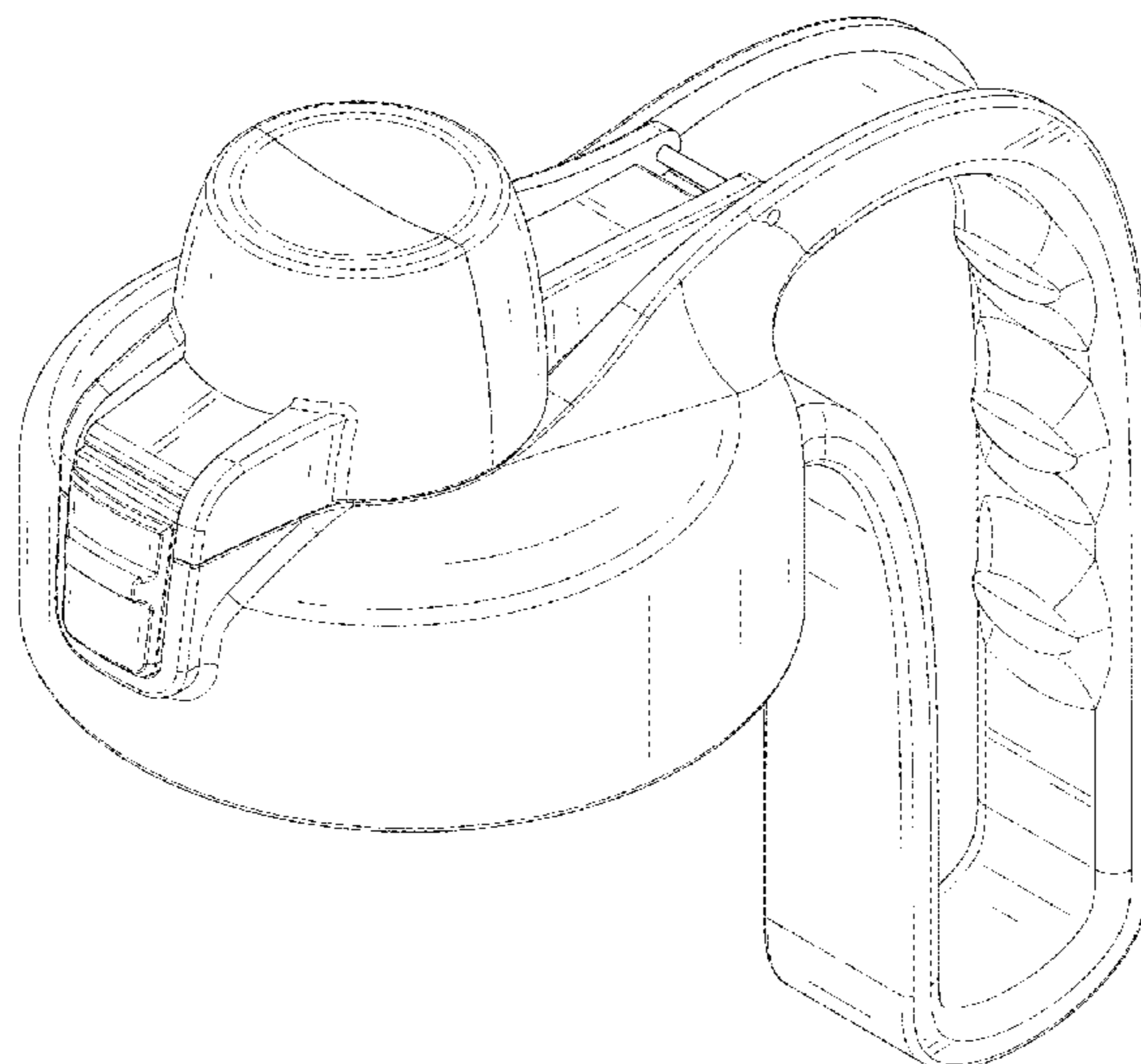
(57) **CLAIM**

The ornamental design for a bottle lid, as shown and described.

**DESCRIPTION**

FIG. 1 is a front and top perspective view of a bottle lid, showing my design.  
FIG. 2 is a front elevation view thereof.  
FIG. 3 is a rear elevation view thereof.  
FIG. 4 is a left side elevation thereof.  
FIG. 5 is a right side elevation thereof.  
FIG. 6 is a top plan view thereof; and,  
FIG. 7 is a bottom plan view thereof.  
The broken lines in FIG. 7 depict portions of the bottle lid that form no part of the claimed design with the outermost circular broken line also forming the boundary to the claim.

**1 Claim, 7 Drawing Sheets**



(56)

References Cited

U.S. PATENT DOCUMENTS

D320,561	S	*	10/1991	Glazer	.....	D9/443
D349,241	S	*	8/1994	Isaacson	.....	D9/447
D389,005	S	*	1/1998	Brady	.....	D7/317
D406,011	S	*	2/1999	Hatsumoto	.....	D7/510
D421,571	S	*	3/2000	Kilian	.....	D7/392
D511,684	S	*	11/2005	Guyot	.....	D9/443
D536,926	S	*	2/2007	Schreitmueller	.....	D7/398
D562,623	S	*	2/2008	Nybakke	.....	D7/391
D620,747	S	*	8/2010	Taketani	.....	D7/392.1
D629,645	S	*	12/2010	Chin	.....	D7/392.1
D634,972	S	*	3/2011	Staton	.....	D7/392.1
D661,581	S	*	6/2012	Kallenbach	.....	D9/449
D671,359	S	*	11/2012	Windmiller	.....	D7/392.1
D699,509	S	*	2/2014	El-Saden	.....	D7/392.1
D713,672	S	*	9/2014	Ho	.....	D7/392.1
D781,654	S	*	3/2017	Marquard	.....	A45F 3/16 D7/510
D810,506	S	*	2/2018	Erickson	.....	D7/396.2
D811,879	S		3/2018	Way		
D816,497	S	*	5/2018	Bramwell	.....	D9/448
D820,635	S	*	6/2018	Hammer	.....	D7/392.1
D853,181	S	*	7/2019	Stanton	.....	D7/392
D853,238	S		7/2019	Yao		
10,512,347	B1	*	12/2019	Shepard	.....	B65D 47/148
D886,515	S	*	6/2020	Eyal	.....	D7/392.1
D887,771	S	*	6/2020	Washburn	.....	D7/392
D889,198	S	*	7/2020	Shepard	.....	D7/396.2
D896,024	S	*	9/2020	Wang	.....	D9/443
D903,404	S	*	12/2020	Bram	.....	D7/392.1
2012/0225175	A1	*	9/2012	Lown	.....	A23F 3/18 426/435
2016/0376061	A1	*	12/2016	Shirley	.....	B65D 23/104 215/228

\* cited by examiner

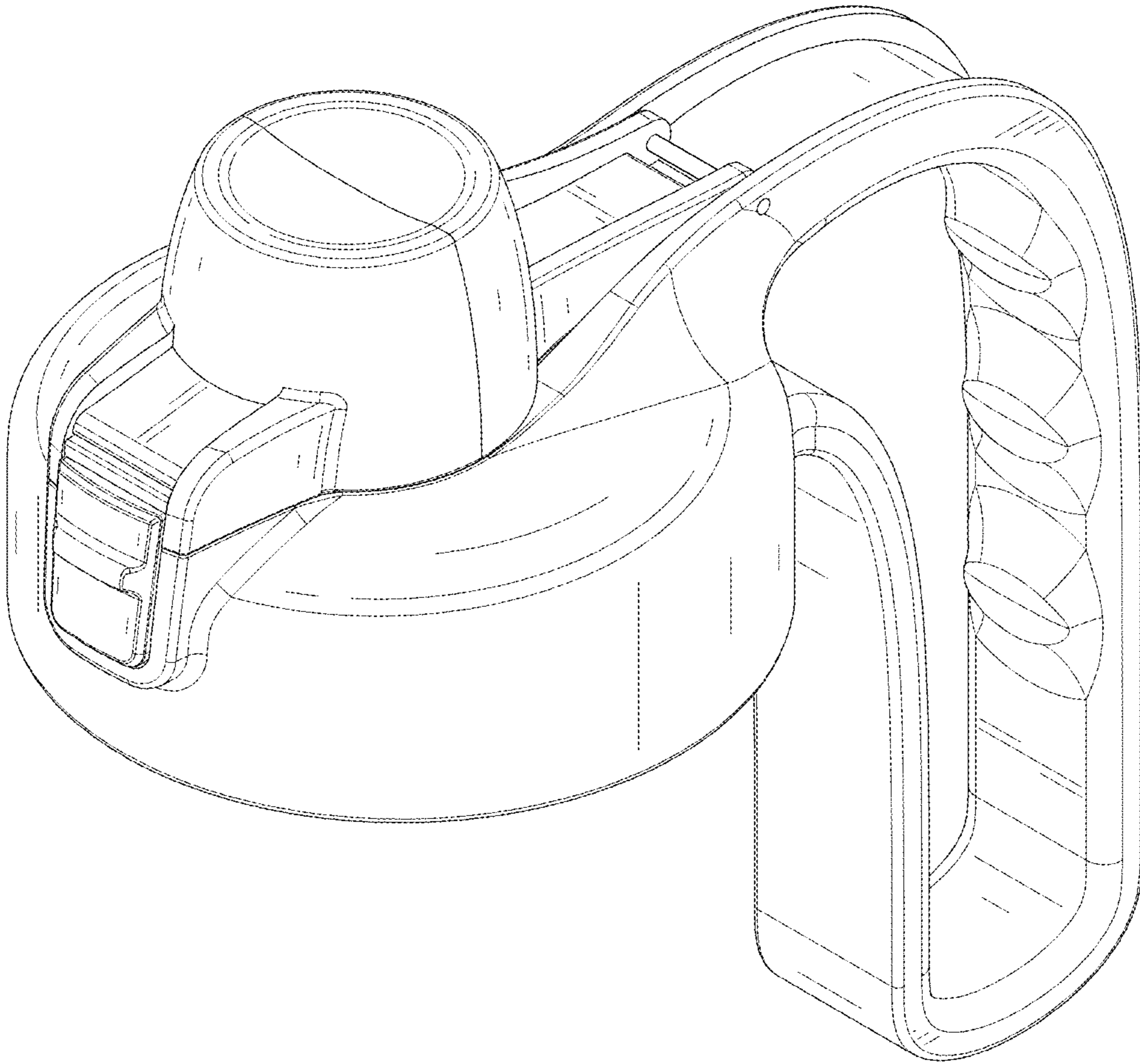


FIG.1

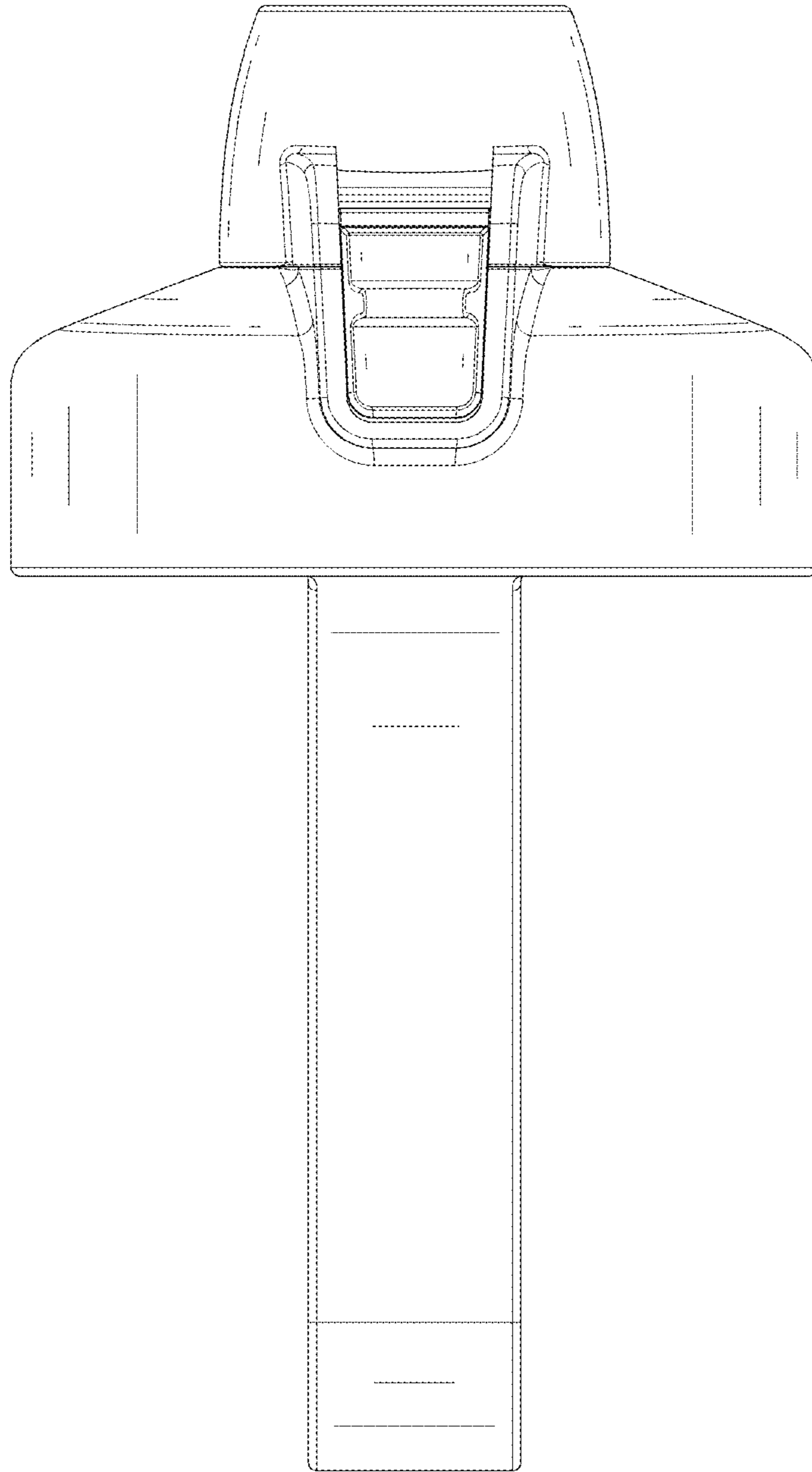


FIG.2

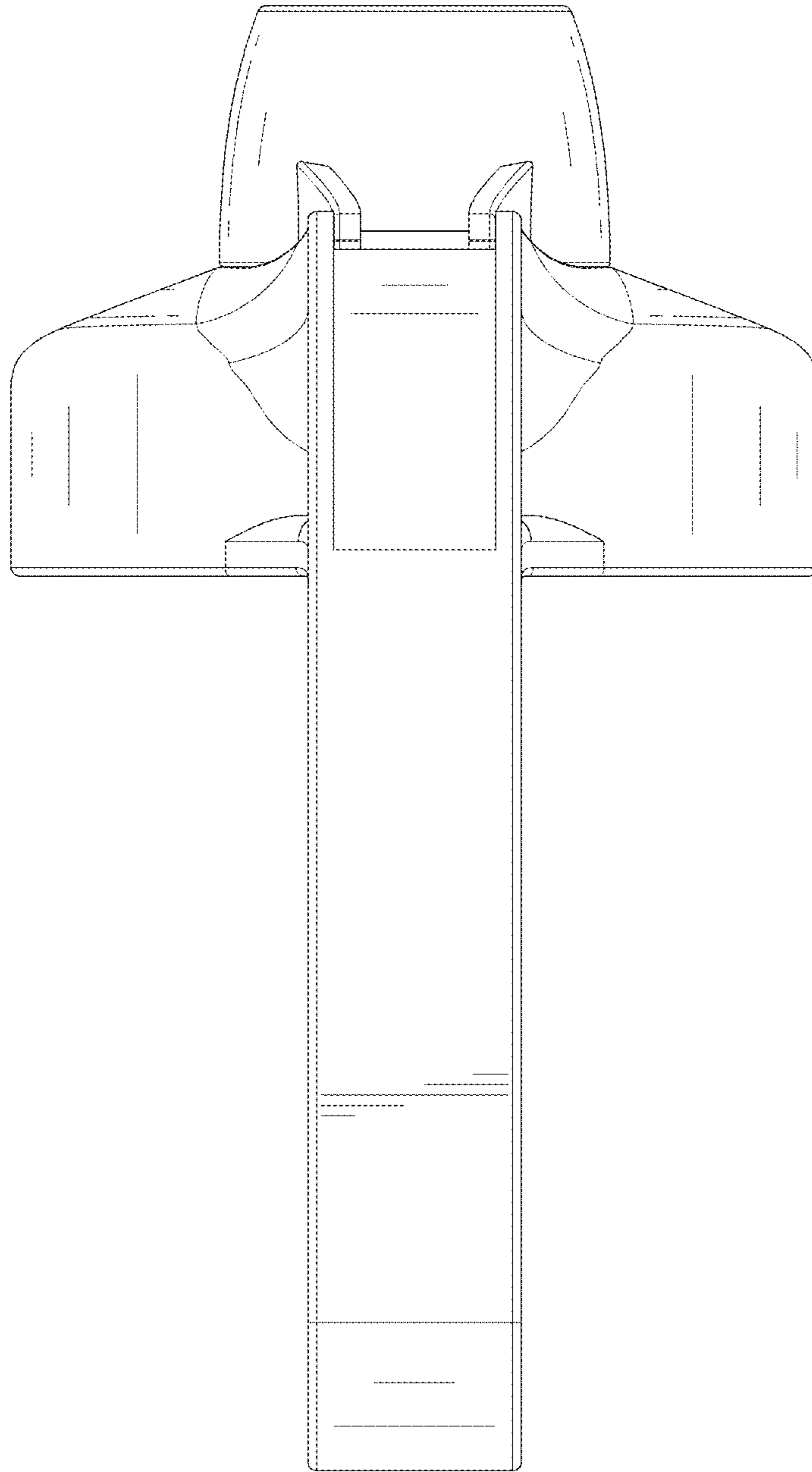


FIG.3

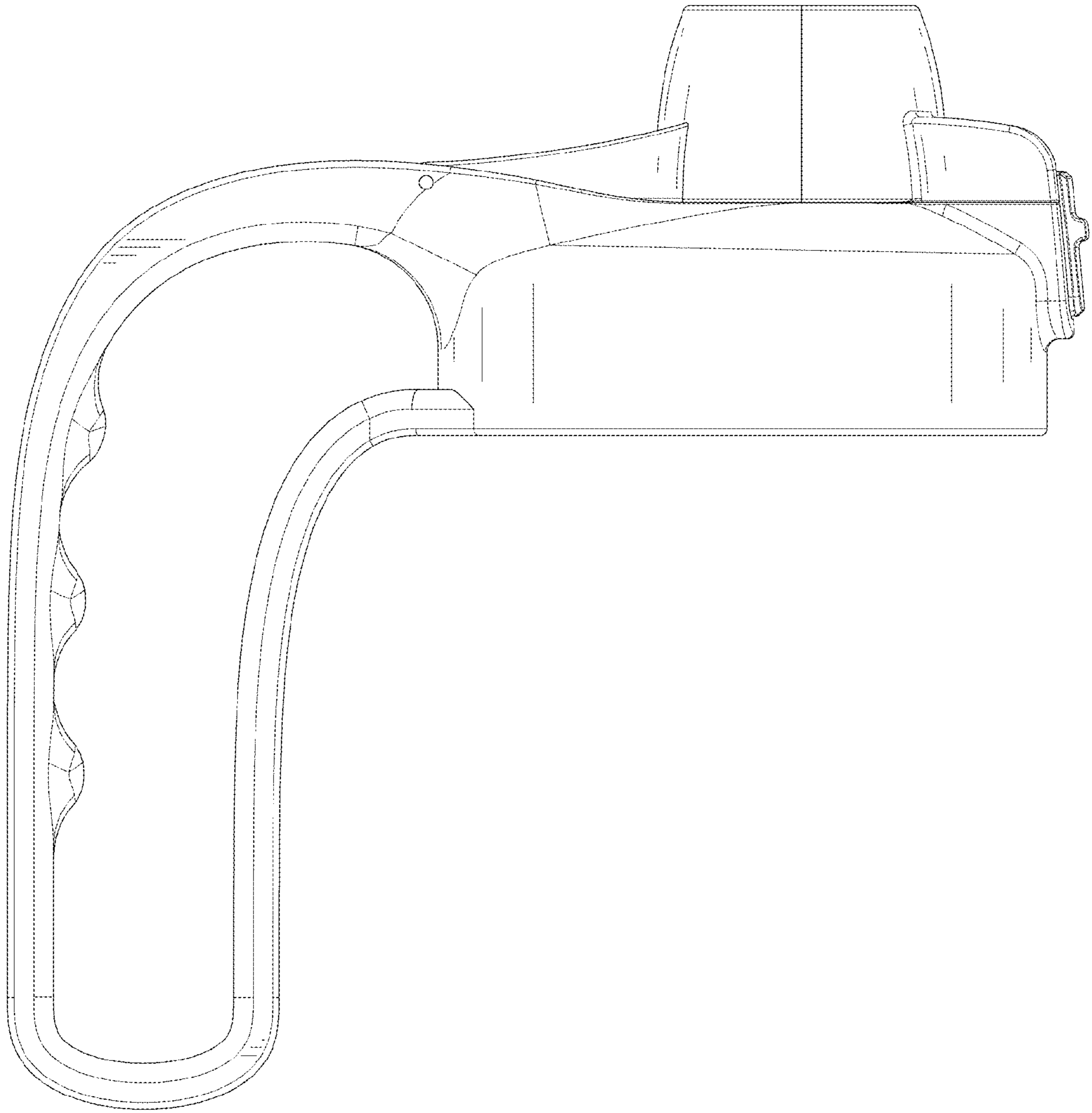


FIG.4

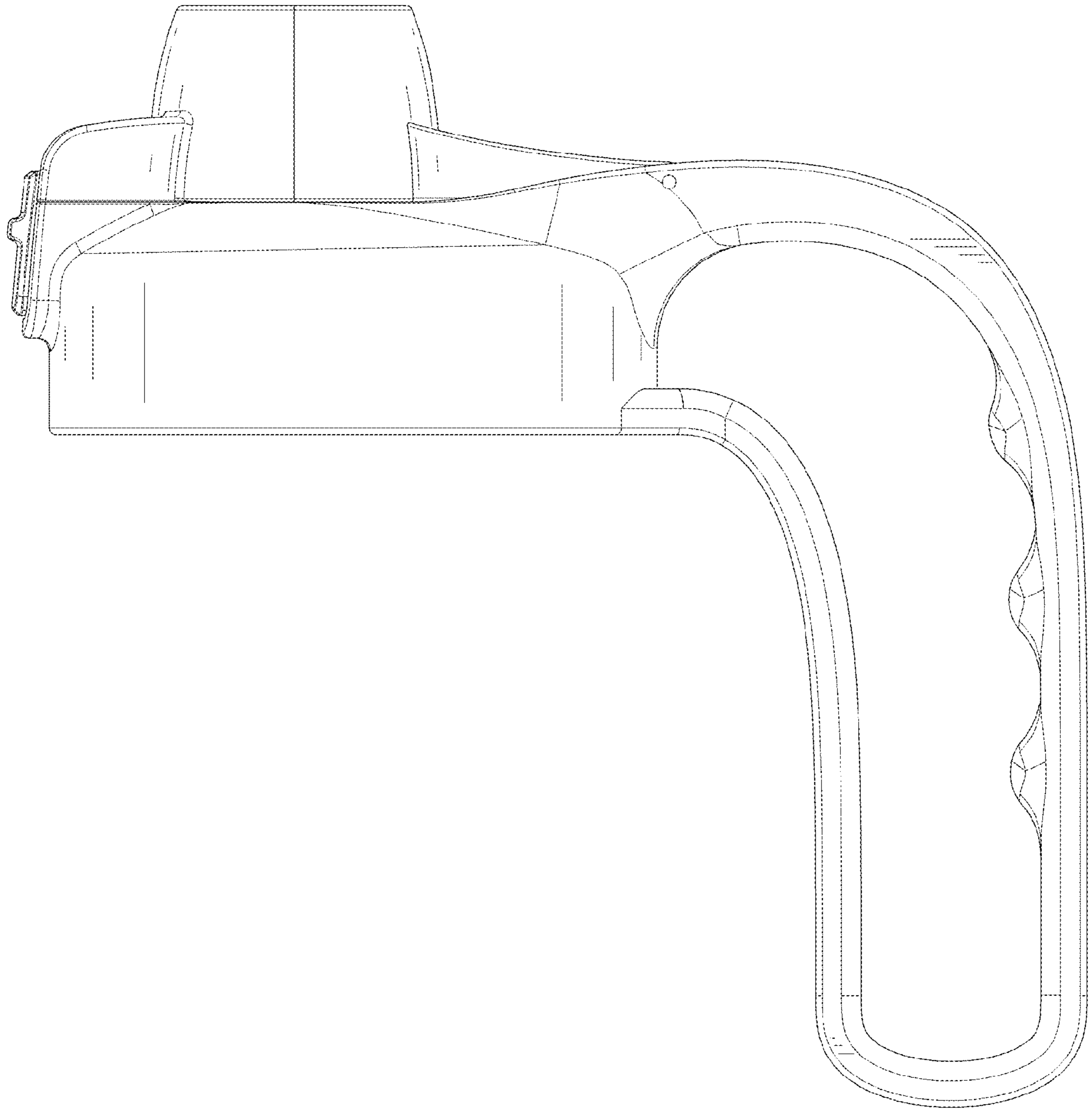


FIG.5

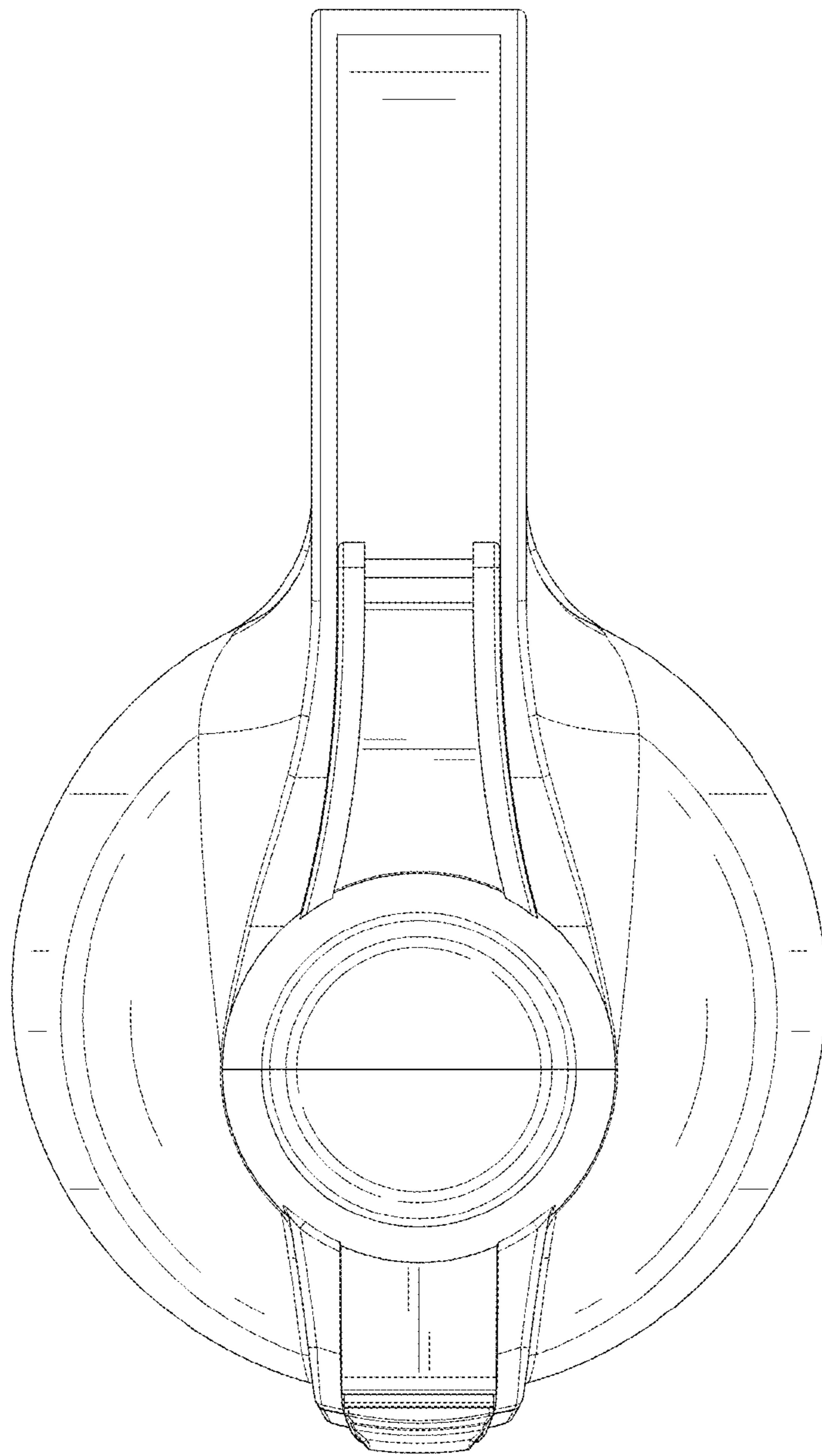


FIG.6



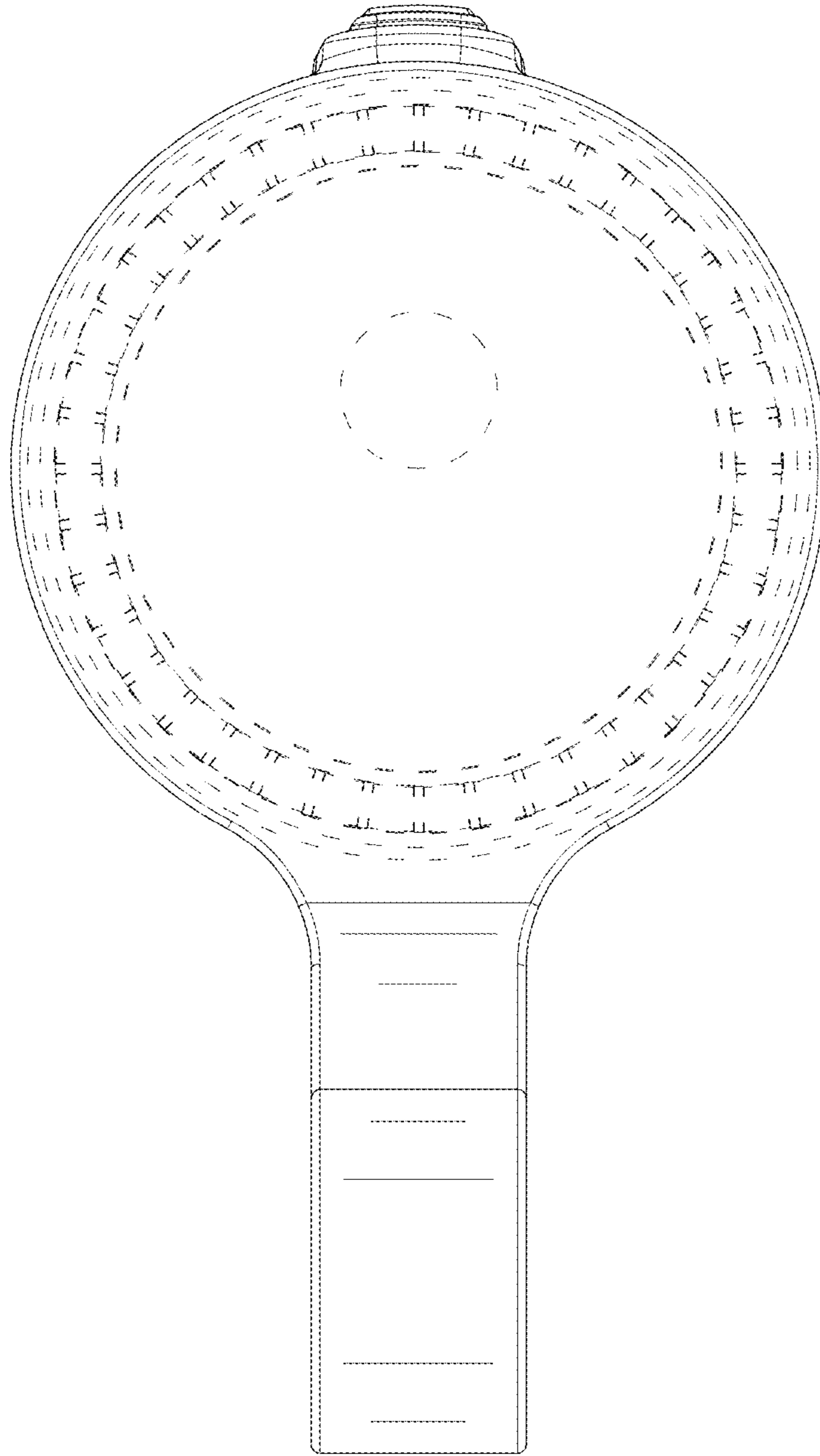


FIG. 7